



NL4560G4 Edge

Crop Nutrient Applicator

Precision Application

- Boundary spreading
- Precise independent spinner control and monitoring
- Automatic feedgate and fan frame control
- Scales for static and infield calibration

Ease of Use

- Intuitive New Leader user interface
- System sensors to monitor spreader performance
- Feedgate optimizer to calculate height

Ease of Maintenance

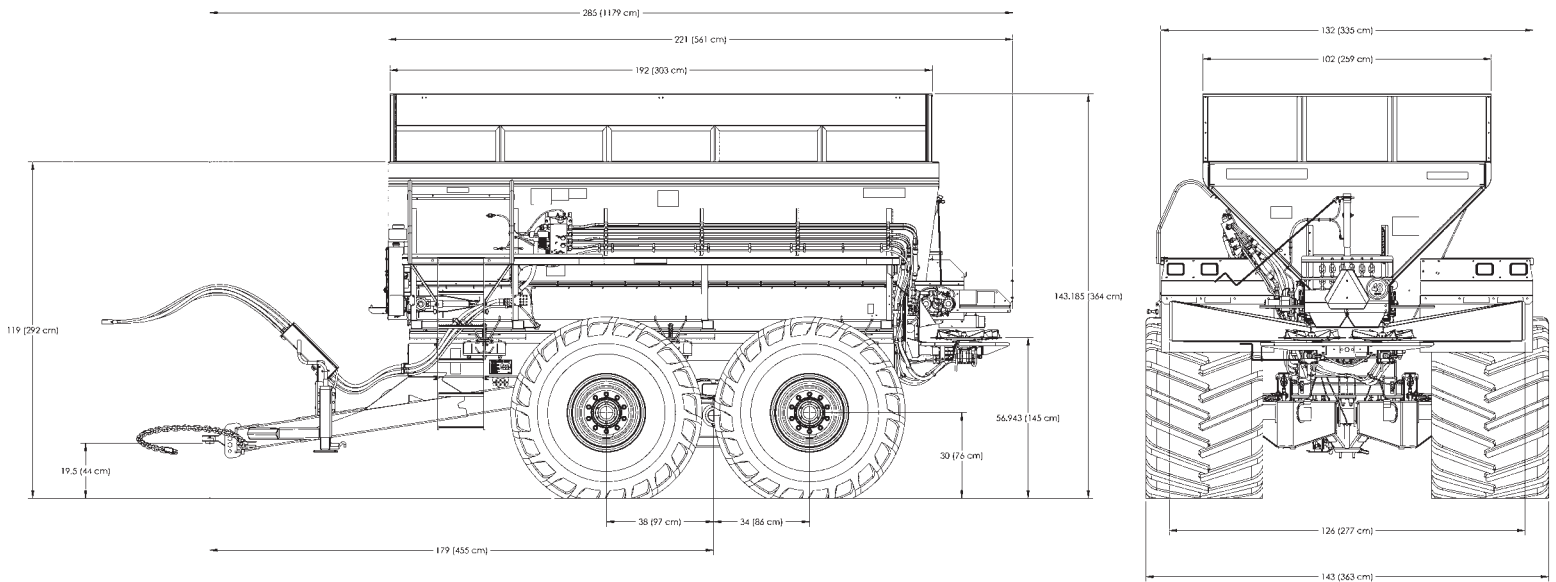
- Centralized grease banks
- Automatic hydraulic chain tensioning system
- Automatic chain oiling routine and alarms
- 304 stainless steel feedgate, spinner jacks, and handles

Trailer Features

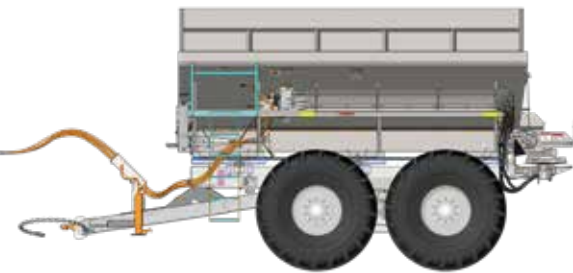
- Heavy-duty trailer main frame with universal hitch
- 4-wheel hydraulic braking system
- Walking suspension with 12" of travel
- High floatation tires for light footprint



NL4560G4 Edge Specifications



NL4560G4 Edge			
Struck Capacity	Cu Yards	Cu Meters	Cu Feet
w/ 24" side boards	22.52	17.22	608
Estimated Weight	LBS	KG	
Spreader	5002	2269	
Trailer	15,356	6961	
Sideboards	422	192	



Features

- Struck capacity of 608 ft³ (17.22 cu.m) with sideboards.
- High floatation tires leave a light foot print despite massive payload.
- Tire size, 66 x 43 x - 25, 20 ply, and 20 psi.
- 16' - 102+6 wide body, available in 304 stainless steel or painted 409 stainless steel.
- Trailer mainframe with universal bull pull hitch, and four wheel braking system.
- Walking suspension, that provides over 12" of travel.

Conveyor System

- 30" (76 cm) #4 belt-over-chain
- 24" (61 cm) wide feedgate can be opened up to 11" (28 cm) tall



Products and specifications subject to change without notice. Photos and illustrations may or may not include optional equipment. New Leader® is a registered trademark of Highway Equipment Company, Inc., d/b/a New Leader Manufacturing. © 2019 Highway Equipment Company, Inc., d/b/a New Leader Manufacturing. NL4560-2019-01