

NEW LEADER



NL5258 G5 Crop Nutrient Spreader

Precision Application

- 16-section swath width control
- ½ width spreading
- Last Pass Control
- Boundary spreading
- Precise independent spinner control and monitoring
- Automatic feedgate and fan frame control

Ease of Use

- Intuitive New Leader user interface with up to 25 stored product profiles
- System sensors to monitor spreader performance
- Feedgate optimizer with automatic adjustment

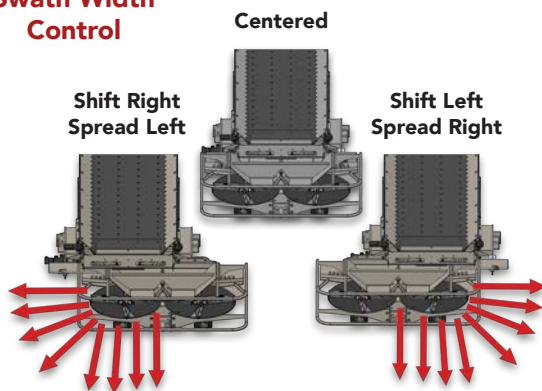
Ease of Maintenance

- Centralized grease banks
- Automatic chain tensioner
- Automatic chain oiling routine and alarms
- 304 stainless steel cross tubes, mounts, and take-up brackets
- Diagnostic feedback

Multi-Product Capabilities

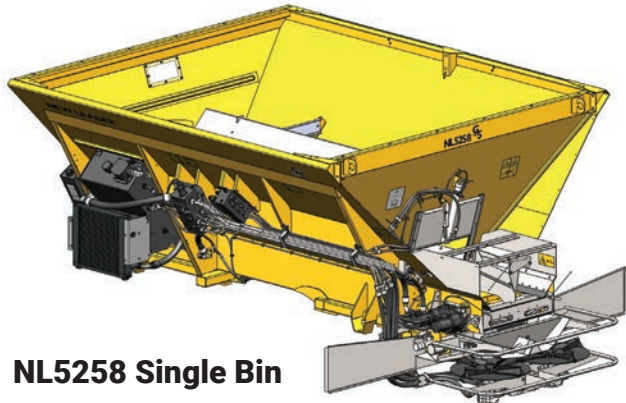
- MultiApplier: Two product, variable rate spreading
 - Enhanced feedgate design for higher outputs
 - Stainless steel connections for easy removal

Swath Width Control

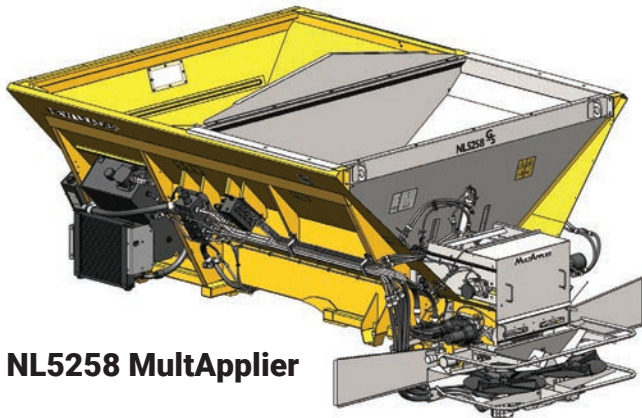




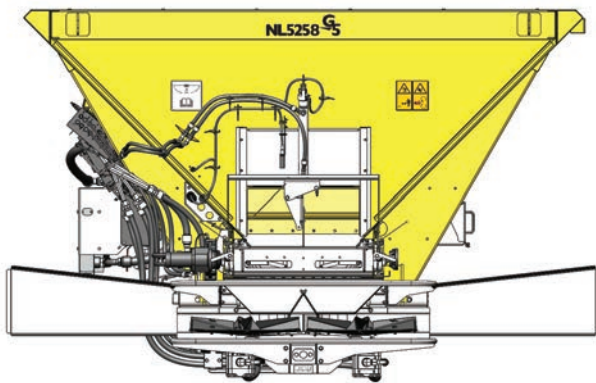
NL5258 G5 Specifications



NL5258 Single Bin



NL5258 MultiApplier



NL5258 Rear



NL5258	
Length	in (cm)
11' (3.34m)	132 (335)
Struck Capacity	Cu Ft (Cu M)
11' (3.34m)	258 (7.31)
Estimated Weight	lbs (kg)
11' (3.34m)	3935 (1788)

MultiApplier	5ft MultiApplier
Est. Ship Weight	1060 (481)
Capacities with 5 ft. MultiApplier Cu ft (Cu M)	
Bin 1 Struck Capacity	139 (3.94)
Bin 2 Insert Capacity	93 (2.63)
Total Struck Capacity	232 (6.57)

NL5258 MultiApplier

Reduce man hours, field compaction and fuel consumption by applying two products in a single pass with the MultiApplier, available in a 5 ft. size.

Independent conveyors allow two products to be applied at independent rates or variable rates at the same time.

Bolted-in endgates make the MultiApplier easy to install or remove, and easy to convert your spreader from single to dual product operation.

Products and specifications subject to change without notice. Photos and illustrations may or may not include optional equipment. New Leader® is a registered trademark of Highway Equipment Company, Inc., d/b/a New Leader Manufacturing. © 2020 Highway Equipment Company, Inc., d/b/a New Leader Manufacturing. AGCO-NL5258-2020-01