



NL5000 G5
Single Bin / MULTAPPLIER / MULTIBIN
Operator/Parts Manual

UNIT SERIAL NUMBER _____

INSERT SERIAL NUMBER _____

MANUAL NUMBER: 314521-E

EFFECTIVE 04/2023



1330 76TH AVE SW
CEDAR RAPIDS, IA 52404-7052
PHONE (800) 363-1771 | FAX (319) 286-3350
www.newleader.com

Copyright 2021 New Leader Manufacturing

Table of Contents

Interactive Features 7

Preface 9

Safety 10

 Important Safety Information 10

 Safety Alert Symbols 10

General Safety Rules 11

Safety Decals..... 21

 Safety Decal Maintenance 21

 Safety Decal Installation 21

Informational Decals 25

Installation 27

 Hydraulic Requirements..... 27

 Insert Installation 27

 Spreader Preparation..... 28

 Feedgate Adjustment..... 30

 Insert Preparation 30

 Insert Install..... 31

 Hillside Divider & Conveyor Cover - MultApplier 35

 Lower Divider - Multibin 36

 Micro Cover Installation..... 38

 Air Supply and Electrical Requirements 38

 Hydraulics..... 40

 Install Valve Bracket..... 41

 Install Valve 41

 Install Clamp Assemblies..... 42

 Install Tubes and Hoses 42

 Hydraulics Removal..... 47

 Electrical..... 48

 Insert Removal/Endgate Installation..... 54

Operations..... 55

 General Description 55

Introduction..... 56

Dimensions & Capacities 60

 Single Bin Weights & Capacities..... 61

 Multapplier Complete Dimensions & Capacities..... 63

 Multapplier Alone Dimensions & Capacities 63

 Multibin Complete Weights & Capacities 65

 Multibin Alone Dimensions & Capacities..... 65

Initial Start-Up 66

General Operating Procedures 67

Maintenance 69

 Preventative Maintenance Pays! 69

 Hydraulic System 69

 Lubrication and Maintenance..... 69

 Hydraulic Hose 70

 Conveyor Chain..... 70

 #4 BOC Conveyor Belt Maintenance..... 72

 Replace MultiBin Metering Roller..... 73

 Conveyor Gearcase..... 78

 Bin Sensor 78

 Lubrication of Bearings..... 78

 Fasteners..... 78

 Clean-Up 78

Lubricant & Oil Specifications 79

Hydraulic System	79
Gearcase Lubricant	79
Grease Gun Lubricant	79
Conveyor Chain Oiler	79
Lubrication Chart	80
Troubleshooting.....	82
MultiBin Cover Air Schematic	85
Spreader Module LED Light Alerts.....	86
Standard Torques.....	87
Pre- and Post-Season Checklist.....	88
Hydraulics	89
Controller Operations.....	99
Introduction	99
How the ISOBUS Works.....	99
Terminologies	99
Cab to Enclosure Diagram	100
Modules to Function Diagram	101
Requirements.....	102
Navigation.....	103
Navigation Control Buttons.....	104
Machine Configuration	105
Initial Configuration/Factory Setup	105
Enable Installed Bins.....	106
Bin Settings.....	106
GPS Offsets.....	108
System Setup Summary	108
Configuring Auxiliary Switches.....	108
Settings	109
Enable/Disable Bins	109
Valve Calibration Adjustment.....	109
Alarm Settings	112
Reconfigure System	112
Switch Assignment.....	113
Material Profile Management.....	114
Creating a New Profile.....	115
Component Calibration.....	120
Spinner Disc Calibration	120
Spinner Assembly Calibration.....	121
Feedgate Calibration.....	122
Conveyor Calibration	125
Operations/Features.....	128
Feedgate Optimizer.....	131
Boundary Spreading	132
Remote Spreading	133
Diagnostics	134
Hydraulics.....	137
Cylinder Bleeding.....	138
Bin Flush.....	139
Body Module	141
Bin Cover Control.....	141
Chain Oiler.....	142
Bin Sequencing	144
General Alarms.....	146
General Product Control Alarms.....	147

Table of Contents

Spinner Alarms 148

Fan Frame Alarms 149

Feed Gate Alarms 150

Hydraulic Alarms 151

Bin Sequencing Alarms..... 151

Chain Oiler Alarms 151

Default Settings..... 152

Calibration 153

Alarms 153

Spread Pattern 155

 Catch Test 155

 Spread Pattern 156

 Spread Pattern Test Kit 156

 Spinners 157

 Spreader Preparation..... 157

 Test Procedure 159

 Test Results 161

 Troubleshooting 162

 Determining Driving Centers 163

 Verifying Driving Centers..... 164

Parts 165

 Instructions for Ordering Parts 165

Body..... 166

 Inverted "V" 166

 Sight Window 167

 Side Boards - With Insert..... 168

 Frame Cover 169

 Lubrication 170

 Fenders 172

Endgate 174

 Endgate Assembly 174

Fenders..... 175

Body Hydraulics 176

 Main Bin 176

 Spreader Control Valve Mount Assy..... 189

 Spreader Control Valve Assy 190

 Cylinder Control Valve Assy..... 192

 Hydraulic Reservoir w/ Cooler..... 194

 Hydraulic Reservoir 196

 Left Hand Hydraulics - Insert..... 198

 MultiApplier..... 200

 MultiBin, Single Micro..... 206

 MultiBin, Dual Micro 212

Conveyor 219

 #4 Belt-Over-Chain Conveyor 219

 Chain Shields 220

 Conveyor Idler 221

 Conveyor Drive..... 222

 Gearcase Assembly..... 223

 Gearcase Breather Tube 224

 Encoder..... 225

 Conveyor Chain Oiler 226

 Conveyor Chain Oiler Tank..... 228

 Wiper - Front 230

Front Conveyor Guard	231
Electronics	232
Bin Sensors	232
Enclosure Assembly Mount	233
Enclosure Assembly	234
Hydraulic Reservoir Sensors	236
Spinner Speed Sensors	237
Controller - Main Bin	238
Controller - MultiApplier	242
Controller - MultiBin	244
Body Module	246
Switch Box & Harness	248
Decals	250
Spinners	252
Material Divider	252
Hillside Divider	253
Vane Assembly	254
Spinner Deflectors	255
Spinner Assembly	256
Spinner Frame Assembly	260
Spinner Disc Assembly	269
MultiApplier	271
MultiApplier	271
Rear Feedgate	272
Hillside Divider & Conveyor Cover	274
Front Feedgate	275
Front Wiper	276
Sealers	277
#4 Belt-Over-Chain Conveyor	278
Chain Shields	279
Conveyor Idler	280
Conveyor Drive & Encoder	281
Hydraulics	282
Lubrication	284
Electrical	286
Pads	287
Decals	288
MultiBin	290
MultiBin	290
Rear Feedgate	291
Divider	292
Front Feedgate	293
Front Wiper	294
Sealers	295
#4 Belt-Over-Chain Conveyor, Bin 2	296
Chain Shields, Bin 2	297
Conveyor Idler	298
Conveyor Drive & Encoder	299
Hydraulics	300
Lubrication	302
Electrical	304
Pads	306
Decals	307
Panel Group - Single Micro	308

Divider Panel - Dual Micro.....309
Micro Group.....310
Micro Assembly312
Micro Screens316
Micro Cover Group317
Micro Cover Assembly.....318
Micro Cover Lid Pneumatics.....321
Micro Cover Air Cylinder323

NOTE:

This manual incorporates several interactive features to provide supplemental information and ease of navigation. The information below is to aid in the identification and use of these features.

Hyperlinks

Hyperlinks provide direct access to a specific destination when clicked. The entire Table of Contents of this manual is hyperlinked to provide quick access to all sections of this manual when viewing the electronic version.

Hyperlinks within the content are denoted by **blue, bold underlined text**. Electronic format viewers can click these links for direct access to New Leader online features. Internet access is required.

Insert Current New Leader Warranty

PLEASE ! ALWAYS THINK SAFETY FIRST !!

The purpose of this manual is to familiarize the person (or persons) using this unit with the information necessary to properly install, operate, and maintain this system. The safety instructions indicated by the safety alert symbol in the following pages supersede the general safety rules. These instructions cannot replace the following: the fundamental knowledge that must be possessed by the installer or operator, the knowledge of a qualified person, or the clear thinking necessary to install and operate this equipment. Since the life of any machine depends largely upon the care it is given, we require that this manual be read thoroughly and referred to frequently. If for any reason you do not understand the instructions, please call your authorized dealer or our Product Sales and Support Department at 1-888-363-8006.

It has been our experience that by following the instructions in this manual, and by observing the operation of the spreader, you will have sufficient understanding of the machine enabling you to troubleshoot and correct all normal problems that you may encounter. Again, we urge you to call your authorized dealer or our Product Sales and Support Department if you find the unit is not operating properly, or if you are having trouble with repairs, installation, or removal of this unit.

We urge you to protect your investment by using genuine NLM parts and our authorized dealers for all work other than routine care and adjustments.

New Leader Manufacturing reserves the right to make alterations or modifications to this equipment at any time. The manufacturer shall not be obligated to make such changes to machines already in the field.

This Safety Section should be read thoroughly and referred to frequently.

ACCIDENTS HURT !!!

ACCIDENTS COST !!!

ACCIDENTS CAN BE AVOIDED !!!

Important Safety Information

▲ WARNING

Before using this equipment, read, understand and follow all instructions in the Operator’s Manual provided with this equipment. If the user and/or assistants cannot read or understand the warnings and instructions, the employer of the user and/or assistants must provide adequate and necessary training to ensure proper operation and compliance with all safety procedures pertaining to this equipment. If Operator’s Manual has been lost, visit www.newleader.com or call your authorized dealer or our Product Sales & Support Department at (800) 363-1771 for replacements. Serious injury or death can result from the failure to read, understand, and follow instructions provided in this manual.

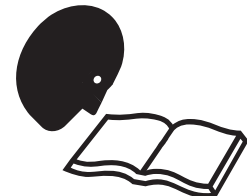


Figure 1.1

Figure 1.1 - The need for safety cannot be stressed strongly enough in this manual. At New Leader Manufacturing, we urge you to make safety your top priority when operating any equipment. We firmly advise that anyone allowed to operate this machine carefully read, learn and understand all messages and information in this manual and on machine’s safety decals before operating machine, as well as familiarize themselves with the location and function of all machine controls.

The following guidelines are intended to cover general usage and to assist you in avoiding accidents. There will be times when you will run into situations that are not covered in this section. At those times the best standard to use is common sense. If, at any time, you have a question concerning these guidelines, please call your authorized dealer or our Product Sales & Support Department at (800) 363-1771.

Safety Alert Symbols



Take note! This safety alert symbol found throughout this manual is used to call your attention to instructions involving your personal safety and that of others. Failure to follow these instructions can result in injury or death.

In this manual and on the safety signs placed on the unit, the words “DANGER,” “WARNING,” “CAUTION,” and “NOTICE” are used to indicate the following:

▲ DANGER	DANGER indicates a hazardous situation which, if not avoided, will result in death or serious injury.
▲ WARNING	WARNING indicates a hazardous situation which, if not avoided, could result in death or serious injury.
▲ CAUTION	CAUTION indicates a hazardous situation which, if not avoided, could result in minor or moderate injury.
NOTICE	NOTICE is used to address practices not related to physical injury.
NOTE:	Provides additional information to simplify a procedure or clarify a process.

Operations

PREPARE FOR EMERGENCIES

Figure 1.2 - Be prepared if a fire starts. Keep a fully charged fire extinguisher and first aid kit in accessible place on the vehicle at all times.

Fire extinguisher must be Type ABC or Type BC.

Keep emergency numbers for doctors, ambulance service, hospital and fire department available at all times.

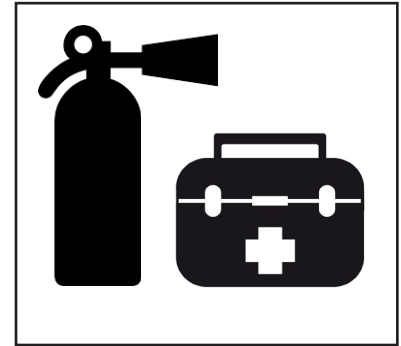


Figure 1.2

INSPECT HARDWARE BEFORE USE

Figure 1.3 - Inspect all bolts, screws, fasteners, keys, chain drives, body mounts and other attachments periodically. Immediately replace any missing or damaged parts with NLM specified parts.

Inspect spinner fins, spinner frame mounting and spinner fin hardware daily. Look for missing or loose fasteners, wear and cracks. Replace immediately with NLM specified parts.

Tighten all bolts, nuts and screws to specified torques. Refer to "Standard Torques" in Maintenance section of this manual.

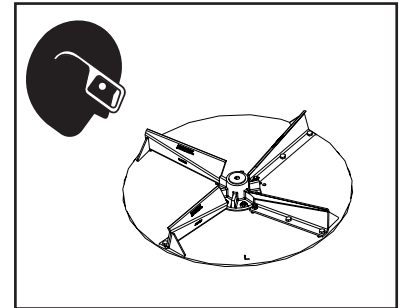


Figure 1.3

HANDLE FLAMMABLE MATERIALS SAFELY

Figure 1.4 - Handle fuel and hydraulic oil with care. They are highly flammable.

Exposure to toxic fluids or fumes may occur during the normal operation of this system. Before attempting to fill, use, or service this system, read Safety Data Sheets (SDS) to know the specific hazards of the fluids you are using. Always use proper Personal Protective Equipment when attempting to fill, use, or service this system.

Always stop engine before refueling machine or filling hydraulic reservoir.

Never smoke while adding fuel or oil to machine. Add fluids in a safe place away from open flame and sparks.

Do not allow overflow. Clean up spilled fuel and oil immediately.

Always have a multipurpose dry chemical fire extinguisher filled and available during machine operation and when adding fuel. Know how to use it.

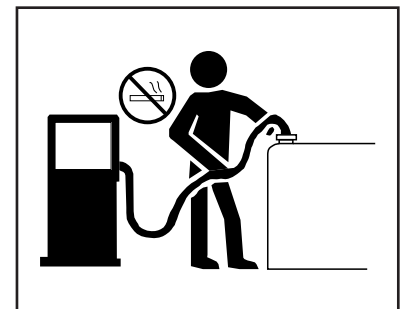


Figure 1.4

General Safety Rules

Operations

HANDLE HAZARDOUS MATERIALS SAFELY

Figure 1.5 - Materials to spread can be dangerous.

Improper selection, application, use or handling may be a hazard to persons, animals, plants, crops or other property.

A Safety Data Sheet (SDS) provides specific details on chemical products: physical and health hazards, safety procedures and emergency response techniques.

Check all SDS's before starting any job using a hazardous material. Follow all instructions and precautions given by the material manufacturer.



Figure 1.5

WORK IN WELL-VENTILATED AREAS

▲ WARNING	Never run machine engine inside a building unless adequate ventilation is provided to safely and properly remove exhaust fumes. Failure to comply with this requirement could result in death or serious injury.
------------------	--

Figure 1.6 - Always work in a properly ventilated area.

Engine exhaust fumes can cause sickness or death. If it is necessary to run an engine in an enclosed area, use proper equipment to safely remove exhaust fumes from the working area.

Open building doors and get fresh air into the working area whenever possible.



Figure 1.6

PROTECT AGAINST NOISE

Figure 1.7 - Long periods of exposure to high decibels or loud noise can cause hearing impairment or loss.

Wear proper hearing protection such as earmuffs or earplugs during periods of exposure to high decibels or loud noise.



Figure 1.7

General Safety Rules

Operations

AVOID MOVING PART HAZARDS

Figure 1.8 - Entanglement in rotating drive lines or moving parts will cause serious injury or death.

Stay clear of all moving parts, such as shafts, couplings and universal joints.

Make sure all personnel are clear of machine before starting.



Figure 1.8

Figure 1.9 - Do not operate machine without all guards and shields closed and secured.

Disconnect and lock out power source before removing guards.

Disconnect and lock out power source before adjusting or servicing.

Keep hands, feet, hair and clothing away from moving parts.

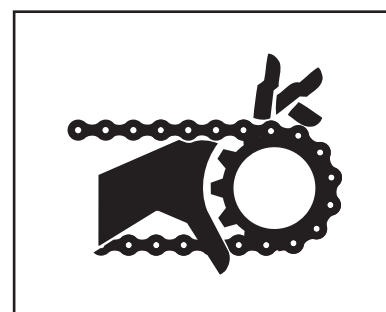


Figure 1.9

Figure 1.10 - Keep away from spinners while they are turning.

Rocks, scrap metal and other material can be thrown from the spinners violently. Stay away from discharge area.

Stop machine before servicing or adjusting. Wear eye protection.

Make sure discharge area is clear before spreading.

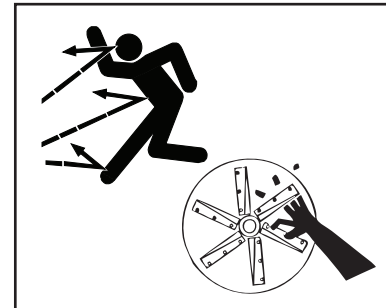


Figure 1.10

Figure 1.11 - Stay out of spreader.

If necessary to enter the spreader, return to shop, empty body, turn off all power, engage brakes, shut down engine and remove keys before entering.

Tag all controls to prohibit operation. Tags should be placed, and removed, by the person working in the body.

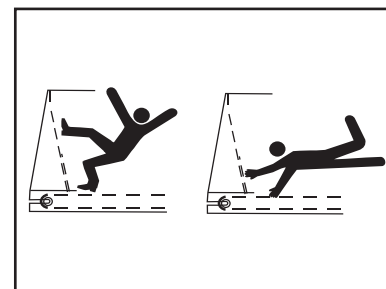


Figure 1.11

General Safety Rules

Operations

DO NOT CLIMB OR STAND ON MACHINE

Figure 1.12 - Never allow any personnel to ride in or on the machine.

Use inspection ladder or portable ladder to view the unit. Use caution when getting on and off the ladder, especially in wet, icy, snowy or muddy conditions. Clean mud, snow and ice from steps and footwear.

Always maintain three-point contact with steps, ladders and handholds. Face the machine when mounting and dismounting inspection ladder. Do not jump off machine.



Figure 1.12

OPERATE MACHINE SAFELY

Always walk around and visually inspect machine before using. Check the immediate vicinity of machine for people and obstructions. Ensure adequate visibility.

Avoid distractions such as reading, eating or operating personal electronics while operating machine. Never operate the machine under the influence of alcohol, drugs or while otherwise impaired.

Always come to a complete stop before reversing. Be sure that all personnel are clear of machine path. Turn around and look directly for best visibility. Ensure all rear view mirrors are properly installed and adjusted. Use a signal person when backing if view is obstructed or when in close quarters.

Always disengage hydraulics before shutting down engine. DO NOT start engine with hydraulics engaged.

General Safety Rules

Transportation & Handling

TRAVELING & TRANSPORTING ON PUBLIC ROADS

Always walk around and visually inspect the machine before traveling on public roads. Check for damage and/or faulty components that can fail and create a hazard or unsafe condition. Make sure all machine systems operate properly, including but not limited to: headlights, tail and brake lights, hazard warning lights, turn indicators, parking brake, horn and rear view mirrors. Repair or replace any component that is not in proper working order.

Never drive machine at a speed that causes it to bounce or cause loss of control.

Obey all traffic safety laws and regulations. Operate the machine with hazard warning lights on, unless prohibited by law. It is the operator's responsibility to activate and use road lights properly while traveling on public roads.

Cover all loads that may spill or blow away. Environmental damage may result. Do not spread dusty materials where dust may create pollution, visibility issues or interfere with traffic on public roads.

When transporting equipment or machine on a trailer, ensure it is properly secured. Be sure that SMV signs on equipment or machine are covered while in transport on a trailer.

Be aware of overhead structures and power lines. Make sure machine can safely pass under. Refer to "Dimensions & Capacities" pages in the Operations section of this manual.

NAVIGATING ROUGH & UNEVEN TERRAIN

Figure 2.1 - Turn slowly and be careful when traveling on rough surfaces and side slopes. Avoid holes, ditches and obstructions that may cause machine to roll over, especially with a loaded spreader.

Never drive near the edge of a gully or steep embankment.

Load may shift, causing vehicle to tip.

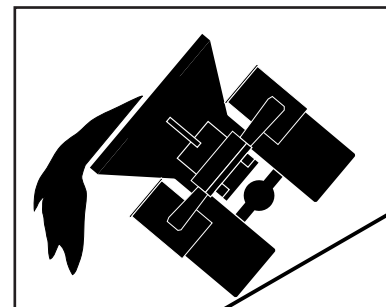


Figure 2.1

General Safety Rules

Maintenance

READ AND UNDERSTAND MAINTENANCE PROCEDURES

Figure 3.1 - Read the maintenance and safety instructions and understand them before performing any maintenance procedure.

Never perform any maintenance procedure or repair if the instructions and safety procedures are not fully understood. Only trained and qualified personnel should perform any maintenance procedure or repair.

Never modify any equipment or add attachments not approved by New Leader Manufacturing.

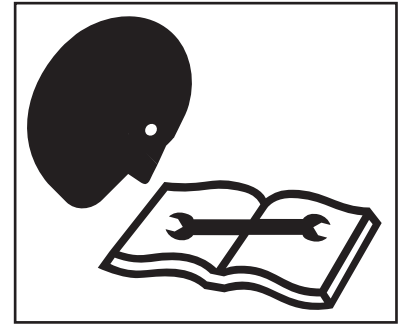


Figure 3.1

DO NOT SERVICE OR ADJUST MACHINE WHILE IN MOTION

Figure 3.2 - Never lubricate, service or adjust the machine or any of its components while they are moving.

Never wear loose clothing or jewelry when working near machine tools or moving parts.

Remove rings and other jewelry to prevent electrical shorts and other personal injury when in contact with machine tools or moving parts.

Close and secure all guards removed for service. Check all screws, bolts, nuts and fasteners for proper torques before operating machine.

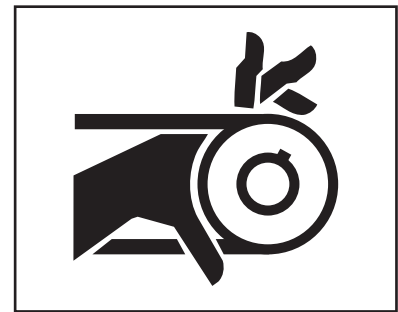


Figure 3.2

WEAR PROPER PROTECTIVE EQUIPMENT

Figure 3.3 - Wear close-fitting clothing and proper safety equipment for the job.

Always wear eye protection when working on or around the machine.

Wear a suitable hearing protection device such as earmuffs or earplugs to protect against high decibels or loud noises.

Prolonged exposure to high decibels or loud noise can cause hearing impairment or loss of hearing.

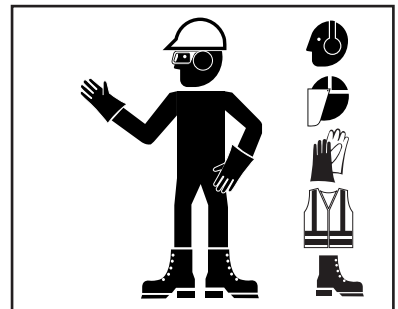


Figure 3.3

Wear protective gloves to protect hands from cuts, abrasions and minor burns.

General Safety Rules

Maintenance

HANDLE FLAMMABLE SOLVENTS SAFELY

Figure 3.4 - Never use diesel fuel, kerosene, gasoline or any flammable solvents for cleaning.

Exposure to toxic fluids or fumes may occur during the normal operation of this system. Before attempting to fill, use, or service this system, read Safety Data Sheets (SDS) to know the specific hazards of the fluids you are using. Always use proper Personal Protective Equipment when attempting to fill, use, or service this system.

Perform work using flammable fluids and solvents in a safe place away from open flame and sparks. Do not smoke.

Do not weld, grind or flame cut on any tank containing oil, fuel, fumes or any other flammable material, or any container that contents or previous contents are unknown. Move all flammable materials and containers away from work area.

Clean up spilled fuel and oil immediately.

Always have a multipurpose dry chemical fire extinguisher filled and available. Know how to use it.



Figure 3.4

USE PROPER LIFTING EQUIPMENT

Figure 3.5 - Use only lifting devices that meet or exceed OSHA standard 1910.184 or ASME B30.20-2013.

Never lift equipment over people.

Never lift a loaded unit. Never lift unit with any loose objects or persons in the body. Loads may shift or fall if improperly supported, causing death, serious injury or machine damage.

Before unfastening heavy parts or assemblies, support with adequate hoist or other device to prevent falling, tipping, swinging or any other movement that may cause injury or damage.



Figure 3.5

USE PROPER TOOLS FOR THE JOB

Figure 3.6 - Use of improper tools (such as a screwdriver instead of a pry bar, pliers instead of a wrench, a wrench instead of a hammer) can cause serious injuries or machine damage.

Use power tools only to loosen threaded parts and fasteners. Using power tools to tighten may cause over-tightening and component damage.

Use only service parts meeting New Leader specifications.

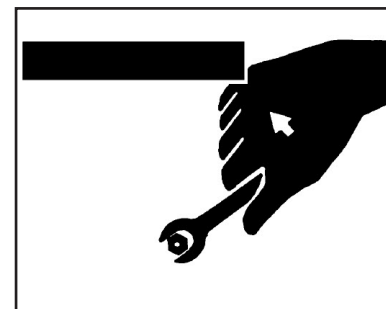


Figure 3.6

General Safety Rules

Maintenance

HIGH PRESSURE FLUID HAZARDS

Figure 3.7 - Escaping fluid under pressure can penetrate the skin causing serious injury.

Always stop machine, allow to cool and relieve pressure before servicing hydraulic system. Never open hydraulic lines under pressure. Make sure all connections are tight and all hoses are in good condition before pressurizing system.

Always use a piece of cardboard or wood to search for leaks instead of hand. Wear impervious gloves and eye protection when servicing system.

Seek medical attention immediately if fluid penetrates your skin. Gangrene may result if wound is left untreated.



Figure 3.7

AVOID HEATING NEAR HIGH PRESSURE FLUID LINES

Figure 3.8 - Flammable spray can be generated by heating near pressurized fluid lines, resulting in burns to yourself and bystanders.

Do not heat by welding, soldering or using a torch near pressurized fluid lines or other flammable materials.

Pressure lines can suddenly burst when heat goes beyond the immediate flame area.

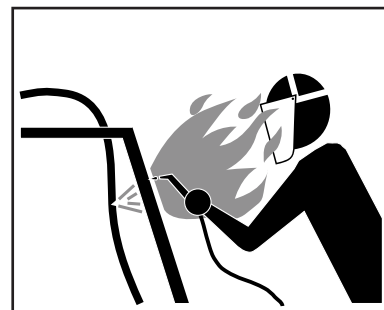


Figure 3.8

AVOID TOXIC FUMES & DUST

Figure 3.9 - Hazardous fumes can be generated when paint is heated from welding, soldering or using a torch.

Remove paint before heating:

- Remove a minimum of 4 in (100 mm) from area to be affected by heating. If paint cannot be removed, wear an approved respirator while heating or welding.
- Avoid breathing dust from sanding or grinding on paint.
- If a solvent or paint stripper is used, wash stripper away with soap and water before heating or welding. Remove solvent or paint stripper containers and other flammable material from area. Allow fumes to disperse for at least 15 minutes before heating or welding.

Do not use chlorinated solvents in areas where welding will take place.

Perform all work in a well-ventilated area that will carry all toxic fumes and dust away.



Figure 3.9

General Safety Rules

Maintenance

CLEAN MACHINE OF HAZARDOUS CHEMICALS



During application of hazardous chemicals, residue can build up on the inside or outside of the vehicle. Clean vehicle according to use instructions of hazardous chemical. Failure to comply with this requirement may result in minor or moderate injury.

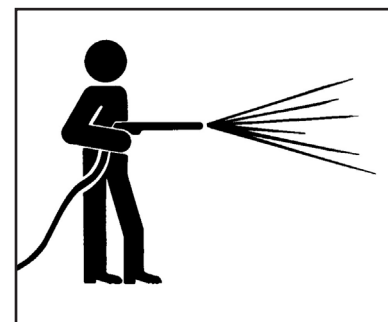


Figure 3.10

Figure 3.10 - When exposed to hazardous chemicals, clean exterior and interior of vehicle daily to keep free of the accumulation of visible dirt and contamination.

1. Clean operator's station to maintain unobstructed visibility of all windows and mirrors, and safe operation of all controls.



Directing pressurized water at electronic/ electrical components, bearings and hydraulic seals or other sensitive parts and components may cause product malfunctions. Reduce pressure and spray at 45 to 90 degree angles.

2. Wash entire exterior of vehicle.
3. Dispose of any wash water with hazardous concentrations of active or non-active ingredients according to published regulations or directives.

HANDLE BATTERIES SAFELY



Sulfuric acid in battery electrolyte is poisonous. It can burn skin, eat holes in clothing, and cause blindness if it contacts eyes. Keep sparks and flame away from batteries. Wear proper safety equipment. Failure to comply with this requirement could result in death or serious injury.

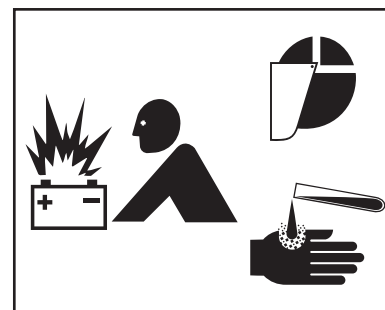


Figure 3.11

Figure 3.11 - Lead acid batteries generate flammable and explosive gases. Keep sparks and flame away from batteries. Do not smoke.

If acid contacts eyes, skin or clothing, flush with water immediately. Seek immediate medical attention if acid contacts eyes.

PROPER TIRE MAINTENANCE

Figure 3.12 - Never weld on a wheel or rim that has a tire on it.

Never attempt to mount or remove a tire unless using the proper equipment, tire safety cage, instructions, training, and you are qualified to perform the work safely. Failure to follow the correct procedures when mounting a tire on a wheel or rim can cause an explosion and serious injury.

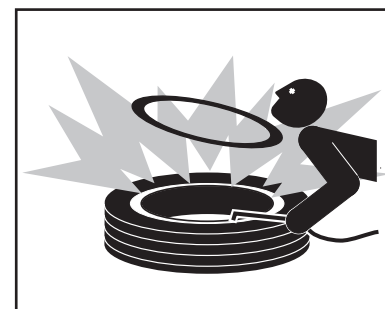


Figure 3.12

Tire service procedures must be performed by trained and qualified personnel.

General Safety Rules

Storage

PARK VEHICLE SAFELY

Figure 4.1 - When leaving the vehicle unattended for any reason, be sure to:

- Shut down PTO.
- Shut off vehicle's engine, and unit's engine if applicable.
- Place vehicle transmission in "Neutral" or "Park".
- Set parking brake firmly.
- Remove ignition key and take it with you.
- Block wheels.

These actions are recommended to avoid unauthorized use, runaway, vandalism, theft and unexpected operation during startup.

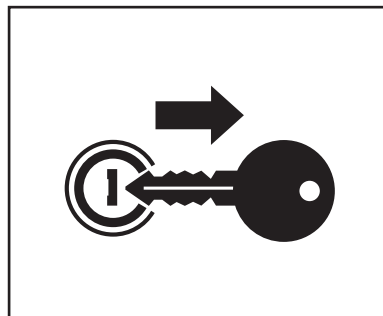


Figure 4.1

SUPPORT MACHINE PROPERLY

Figure 4.2 - When machine is removed from vehicle, always store on adequate supports on a firm level surface. Improper supporting or storage of spreader may cause machine to fall, resulting in serious injury or death.

Never use lifting device to free machine from a chassis, storage stands or frozen ground, or to lift the chassis in any way. Shock loading is prohibited and sudden accelerations must be avoided. Lifting in such a manner could result in injury or machine damage.



Figure 4.2

DISPOSE OF WASTE PROPERLY

Figure 4.3 - Improper disposal of waste can threaten the environment and ecology. Potentially harmful waste used with equipment include items such as fuel, oil, filters and batteries.

Use leakproof containers when draining fluids. Do not use food or beverage containers that may mislead someone into drinking from them. Do not pour waste onto the ground, down a drain, or into any water source.

Comply with all OSHA, local, City, State, Province, Country and jurisdiction regulations, ordinances and standards, related to your particular work area and environment. Inquire on proper disposal methods from your local environmental or recycling center, or from your local dealer.

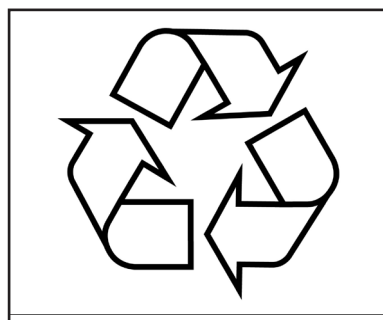


Figure 4.3

Safety Decal Maintenance

Keep safety decals and signs clean and legible at all times.

Replace safety decals and signs that are missing or have become illegible.

Replaced parts that displayed a safety sign should also display the current sign.

Safety decals or signs are available from your dealer's Parts Department or from New Leader Manufacturing by calling (800) 363-1771.

Safety Decal Installation

Clean Surface

Wash the installation surface with a synthetic, free-rinsing detergent. Avoid washing the surface with a soap containing creams or lotion. Allow to dry.

Position Safety Decal

Decide on the exact position before application. Application marks may be made on the top or side edge of the substrate with a lead pencil, marking pen, or small pieces of masking tape. NOTE: Do not use chalk line, china marker, or grease pencil. Safety decals will not adhere to these.

Remove the Liner

A small bend at the corner or edge will cause the liner to separate from the decal. Pull the liner away in a continuous motion at a 180-degree angle. If the liner is scored, bend at score and remove.

Apply Safety Decal

Tack decal in place with thumb pressure in upper corners. Using firm initial squeegee pressure, begin at the center of the decal and work outward in all directions with overlapping strokes. NOTE: Keep squeegee blade even—nicked edges will leave application bubbles. Pull up tack points before squeegeeing over them to avoid wrinkles.

Remove Pre-mask

If safety decal has a pre-mask cover remove it at this time by pulling it away from the decal at a 180 degree angle. NOTE: It is important that the pre-mask covering is removed before the decal is exposed to sunlight to avoid the pre-mask from permanently adhering to the decal.

Remove Air Pockets

Inspect the decal in the flat areas for bubbles. To eliminate the bubbles, puncture the decal at one end of the bubble with a pin (never a razor blade) and press out entrapped air with thumb moving toward the puncture.

Re-Squeegee All Edges

CAUTION

TO AVOID INJURY OR MACHINE DAMAGE:

- Do not operate or work on this machine without reading and understanding the operators manual "Keep hands, feet, hair and clothing away from moving parts."
- Do not enter rollers on machine.
- Always wear seat belt and use of straps before opening guards, servicing or emergency machine stop instructions should apply both machines.
- Keep all guards in place when machine is in use.
- If exposed to welding, contact dealer for replacement.

DANGER

MOVING PART HAZARD

To prevent death or serious injury:

- Stay out of box while conveyor is moving.
- Disconnect and lockout power source before adjusting or servicing.
- Do not ride on spreader.

CAUTION

HAZARDOUS MATERIALS

To avoid injury or machine damage:

- Materials to be spread can be dangerous.
- Improper selection, application, use or handling may be a hazard to persons, animals, crops or other property.
- Follow instructions and precautions given by the material manufacturer.

WARNING

HIGH PRESSURE FLUID HAZARD

To prevent death or serious injury:

- Do not touch hydraulic hoses or lines when they are under pressure.
- Do not touch hydraulic hoses or lines when they are under pressure.
- Do not touch hydraulic hoses or lines when they are under pressure.
- Do not touch hydraulic hoses or lines when they are under pressure.
- Do not touch hydraulic hoses or lines when they are under pressure.
- Do not touch hydraulic hoses or lines when they are under pressure.
- Do not touch hydraulic hoses or lines when they are under pressure.

DANGER

MOVING PART HAZARD

To prevent death or serious injury:

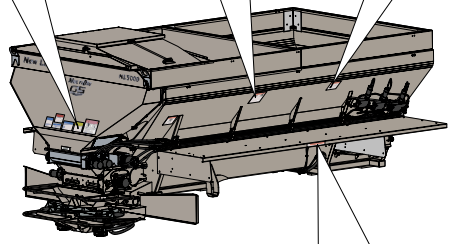
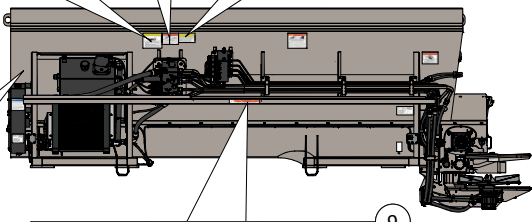
- Stay out of box while conveyor is moving.
- Disconnect and lockout power source before adjusting or servicing.
- Do not ride on spreader.

CAUTION

HAZARDOUS MATERIALS

To avoid injury or machine damage:

- Materials to be spread can be dangerous.
- Improper selection, application, use or handling may be a hazard to persons, animals, crops or other property.
- Follow instructions and precautions given by the material manufacturer.



WARNING

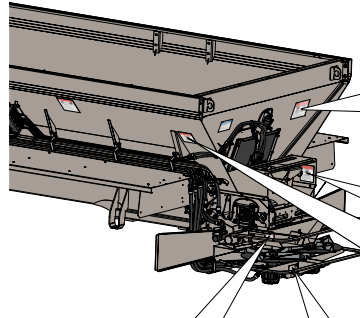
Cancer and Reproductive Harm
www.P65Warning.ca.gov

WARNING

To prevent death or serious injury: Do not place objects on fenders. Keep off fenders. They are not intended to carry loads.

WARNING

To prevent death or serious injury: Do not place objects on fenders. Keep off fenders. They are not intended to carry loads.

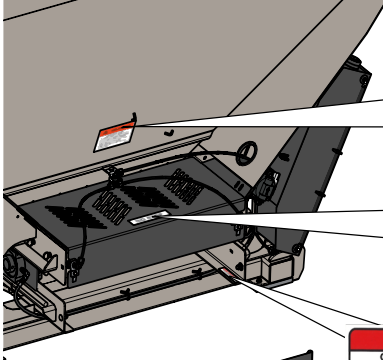


DANGER

FLYING MATERIAL & ROTATING SPINNER HAZARD

To prevent death or serious injury:

- Wear eye protection.
- Stop machine before servicing or adjusting.
- Keep bystanders at least 60 feet away.



WARNING

MOVING PART HAZARD

To prevent death or serious injury:

- Close and secure guards before starting.
- Do not stand or climb on machine.
- Disconnect and lockout power source before adjusting or servicing.
- Keep hands, feet and hair away from moving parts.

NO STEP

DANGER

PINCH POINT HAZARD

To prevent death or serious injury:

- Keep all persons and objects clear while any part of this machine is in motion.
- Keep hands, feet, hair and clothing away from moving parts.

DANGER

GUARD IS MISSING WHEN THIS IS VISIBLE

To prevent death or serious injury:

- Do not operate this unit without guard in place.

DANGER

PINCH POINT HAZARD

To prevent death or serious injury:

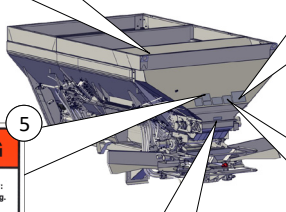
- Keep all persons and objects clear while any part of this machine is in motion.
- Keep hands, feet, hair and clothing away from moving parts.

WARNING

FALLING HAZARD

To prevent death, serious injury or machine damage:

- Do not stand or climb on guard.



DANGER

PINCH POINT HAZARD

To prevent death or serious injury:

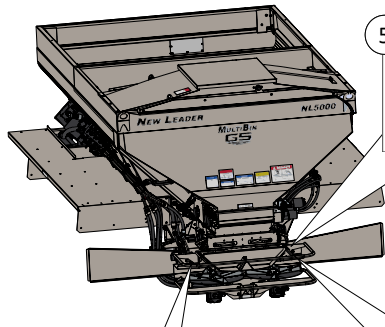
- Keep all persons and objects clear while any part of this machine is in motion.
- Keep hands, feet, hair and clothing away from moving parts.

DANGER

FLYING MATERIAL & ROTATING SPINNER HAZARD

To prevent death or serious injury:

- Wear eye protection.
- Stop machine before servicing or adjusting.
- Keep bystanders at least 60 feet away.



WARNING

MOVING PART HAZARD

To prevent death or serious injury:

- Close and secure guards before starting.
- Do not stand or climb on machine.
- Disconnect and lockout power source before adjusting or servicing.
- Keep hands, feet and hair away from moving parts.

WARNING

MOVING PART HAZARD

To prevent death or serious injury:

- Close and secure guards before starting.
- Do not stand or climb on machine.
- Disconnect and lockout power source before adjusting or servicing.
- Keep hands, feet and hair away from moving parts.

CAUTION

HAZARDOUS MATERIALS

To avoid injury or machine damage:

- Materials to be spread can be dangerous.
- Improper selection, application, use or handling may be a hazard to persons, animals, crops or other property.
- Follow instructions and precautions given by the material manufacturer.

WARNING

FALLING HAZARD

To prevent death, serious injury or machine damage:

- Do not stand or climb on guard.

DANGER

PINCH POINT HAZARD

To prevent death or serious injury:

- Keep all persons and objects clear while any part of this machine is in motion.
- Keep hands, feet and hair away from moving parts.

NO STEP



1. CAUTION: TO AVOID INJURY OR MACHINE DAMAGE:**To avoid injury or machine damage:**

- Do not operate or work on this machine without reading and understanding the operator's manual.
- Keep hands, feet, hair and clothing away from moving parts.
- Do not allow riders on machine.
- Avoid unsafe operation or maintenance.
- Disengage power takeoff and shut off engine before removing guards, servicing or unclogging machine.
- Keep unauthorized people away from machine.
- Keep all guards in place when machine is in use.
- If manual is missing, contact dealer for replacement.

2. DANGER: MOVING PART HAZARD**To prevent death or serious injury:**

- Stay out of box while conveyor is moving.
- Disconnect and lockout power source before adjusting or servicing.
- Do not ride on the spreader.

3. CAUTION: HAZARDOUS MATERIALS**To avoid injury or machine damage:**

- Materials to be spread can be dangerous.
- Improper selection, application, use or handling may be a hazard to persons, animals, crops or other property.
- Follow instructions and precautions given by the material manufacturer.

3A. WARNING: HAZARDOUS MATERIALS**To avoid injury:**

- Cancer and Reproductive Harm - www.P65Warning.ca.gov

4. WARNING: HIGH-PRESSURE FLUID HAZARD**To prevent death or serious injury:**

- Do not check leaks with hands while system is operating as high pressure oil leaks can be dangerous!
- Relieve pressure before disconnecting hydraulic lines or working on system.
- Make sure all hydraulic fluid connections are tight and all hydraulic hoses and lines are in good condition before applying pressure to the system.
- Wear protective gloves and safety glasses or goggles when searching for leaks. Use wood or cardboard instead of hands.
- Do not use hydraulic lines for hand holds or steps.
- Components may be hot.
- Get immediate medical attention if skin is pierced with fluid as gangrene may result.

5. WARNING: MOVING PART HAZARD**To prevent death or serious injury:**

- Close and secure guards before starting.
- Do not stand or climb on machine.
- Disconnect and lockout power source before adjusting or servicing.
- Keep hands, feet and hair away from moving parts.

6. WARNING: FALLING HAZARD**To prevent death or serious injury or machine damage:**

- Do not stand or climb on guard.

7. DANGER: GUARD IS MISSING WHEN THIS IS VISIBLE**To prevent death or serious injury:**

- Do not operate this unit without guard in place.

8. DANGER: FLYING MATERIAL AND ROTATING SPINNER HAZARD**To prevent death or serious injury:**

- Wear eye protection.
- Stop machine before servicing or adjusting.
- Keep bystanders at least 60 feet away.

9. DANGER: PINCH POINT HAZARD**To prevent death or serious injury:**

- Keep all persons and objects clear while any part of this machine is in motion.
- Keep hands, feet, hair and clothing away from moving parts.

10. WARNING: FALLING HAZARD**To prevent death or serious injury:**

- Do not place objects on fenders.
- Keep off fenders. They are not intended to carry loads.

2

NOTICE

- Conveyor chain life will be noticeably extended by periodic lubrication.
- Use a 75% diesel fuel and 25% number 10 oil mixture on the links and rollers.
- Failure to keep the chain links loose and free running can result in severe damage to the conveyor chain, drag shaft, gear case, body structure, and is cause for voiding the warranty.

21476-B

5

NOTICE

DO NOT SPREAD HERBICIDE

This unit is intended for dispensing micronutrients and seeds only—NOT HERBICIDES. The manufacturer is not liable for damage resulting from improper use.

304206-B

1

NOTICE

Before spreading material, spread pattern tests must be conducted to properly adjust the spread pattern. Refer to the manual for adjustment instructions. A spread pattern test kit is available from your New Leader dealer.

Wind, humidity, rain and other adverse weather conditions can affect spread pattern, resulting in uneven crop growth and loss of yield.

THE MANUFACTURER OF THIS SPREADER WILL NOT BE LIABLE FOR MISAPPLIED MATERIAL DUE TO AN IMPROPERLY ADJUSTED SPREADER OR ADVERSE WEATHER CONDITIONS.

It is recommended that spread pattern tests be conducted prior to each spreading season, after any spreader maintenance, and periodically during the spreading season. Spread pattern tests must be conducted whenever a new product is to be applied.

312276-A

3

Conveyor Chain Tension
(Top of Chain)

— MAX

— MIN

2

NOTICE

- Conveyor chain life will be noticeably extended by periodic lubrication.
- Use a 75% diesel fuel and 25% number 10 oil mixture on the links and rollers.
- Failure to keep the chain links loose and free running can result in severe damage to the conveyor chain, drag shaft, gear case, body structure, and is cause for voiding the warranty.

21476-B

4

1 - LF Idler Bearing ○ 1

2 - RF Idler Bearing ○ 2

311814-B

3

Conveyor Chain Tension
(Top of Chain)

— MAX

— MIN

4

1 - LF Insert Idler Bearing ○ 1 ○ 3

2 - LR Insert Drive Bearing ○ 2 ○ 4

3 - RF Insert Idler Bearing

4 - RR Insert Drive Bearing

5 - LR Drive Bearing ○ 5 ○ 6

6 - RR Drive Bearing

313918-B

1. NOTICE: SPREAD PATTERN TESTING

To obtain optimal machine performance:

Before spreading material, spread pattern tests must be conducted to properly adjust the spread pattern. Refer to the manual for adjustment instructions. A spread pattern test kit is available from your New Leader dealer.

Wind, humidity, rain and other adverse weather conditions can affect spread pattern, resulting in uneven crop growth and loss of yields.

THE MANUFACTURER OF THIS SPREADER WILL NOT BE LIABLE FOR MISAPPLIED MATERIAL DUE TO AN IMPROPERLY ADJUSTED SPREADER OR ADVERSE WEATHER CONDITIONS.

It is recommended that spread pattern tests be conducted prior to each spreading season, after any spreader maintenance, and periodically during the spreading season. Spread pattern tests must be conducted whenever a new product is to be applied.

2. NOTICE: CONVEYOR CHAIN LUBRICATION

To avoid machine damage and premature wear:

- Conveyor chain life will be noticeably extended by periodic lubrication.
- Use a 75% diesel fuel and 25% number 10 oil mixture on the links and rollers.
- Failure to keep the chain links loose and free running can result in severe damage to the conveyor chain, drag shaft, gear case, body structure, and is cause for voiding the warranty.

3. NOTICE: CONVEYOR CHAIN TENSION

To avoid machine damage and premature deterioration:

- Periodically inspect conveyor chain tension to ensure proper tension is maintained.
- See "Lubrication & Maintenance" section of this manual for details.

4. NOTICE: MACHINE LUBRICATION

To avoid machine damage and premature deterioration:

- Periodically lubricate the machine components at the front and rear remote grease banks.
- See "Lubrication & Maintenance Chart" in this manual for details.

5. NOTICE: DO NOT SPREAD HERBICIDE

To avoid machine damage:

- This unit is intended for dispensing micronutrients and seeds only--NOT HERBICIDES.
- The manufacturer is not liable for damage resulting in proper use.

INSTALLATION

Installation

Insert Installation

Recommended sequence of installation is:

1. Spreader preparation.
2. Insert preparation.
3. Install of insert.
4. Connecting hydraulic hoses.
5. Installation of hillside divider and conveyor cover.
6. Checking installation.
7. Checking for leaks and proper functioning.

Hydraulic Requirements

Hydraulics	Maximum Flow GPM (LPM)	Maximum Pressure PSI
MultApplier	9 (34)	2000
MultiBin	9 (34)	

Spreader Preparation

WARNING

Use only lifting devices that meet or exceed OSHA standard 1910.184. Never exceed work load limits or lift equipment over people. Empty spreader before lifting. Loads may shift or fall if improperly supported. Failure to comply with this requirement could result in death or serious injury.

1. Figure 1A - Remove Hardware (1) and Inverted "V" (2).
2. Remove Hardware (3) and Hillside Divider (4).
3. Remove Hardware (5) and Side Boards (6) from the spreader, if so equipped, and set hardware aside. Replace chain shield hardware (3) from Hillside Divider and torque to specification.

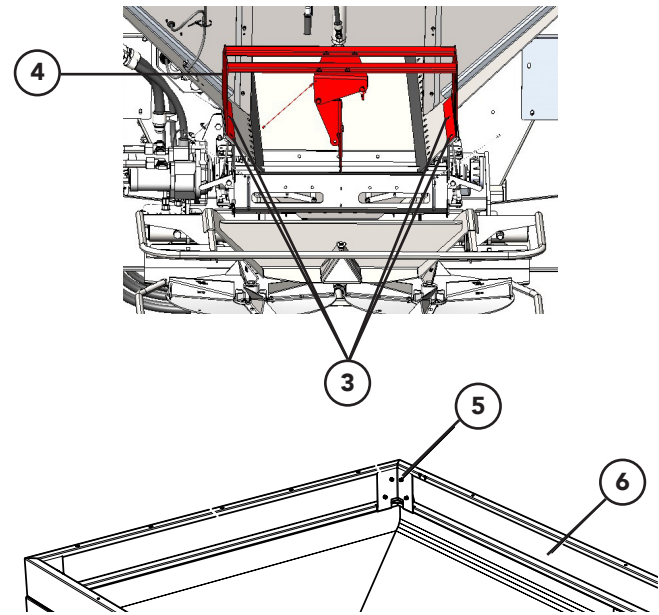
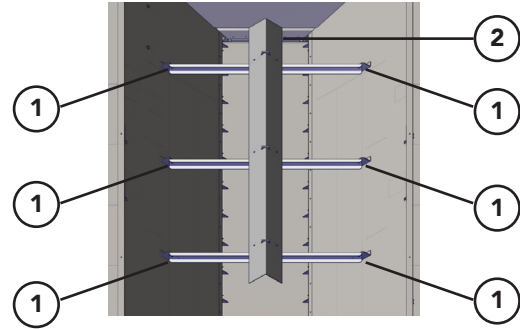
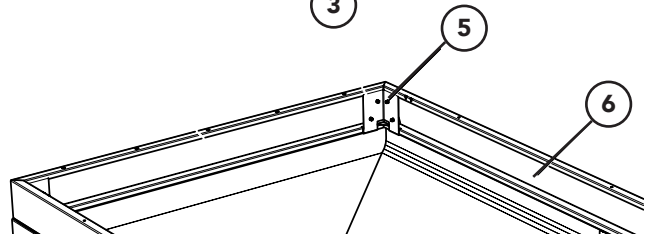


Figure 1A



- Figure 1B - Disconnect Feedgate Hydraulic Hoses (7) and Electrical Harness (8).

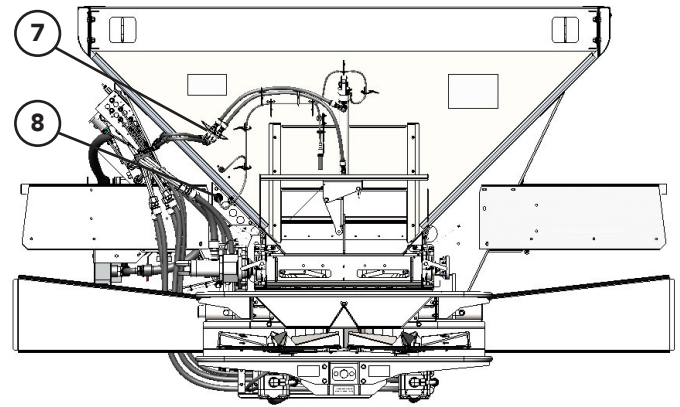


Figure 1B

- Figure 2 - Remove the Grease Lines (10) from Bracket (11).

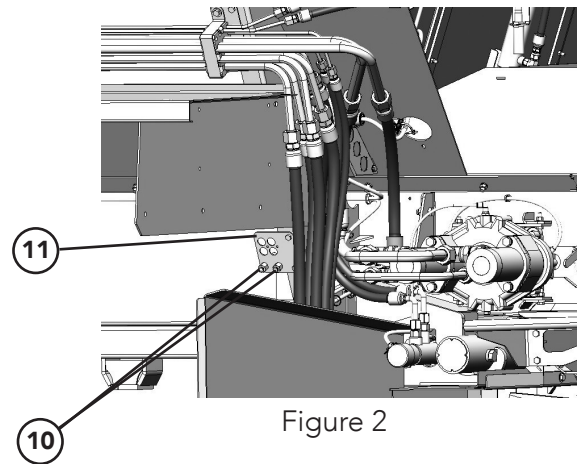


Figure 2

- Figure 3 - Support endgate by attaching a hoist to the lift hooks. Remove hardware (9) from both sides of the endgate and carefully remove from the spreader.

NOTE: Always use a sling, spreader bar, or lifting bar that attaches to the lifting points with a minimum of 60 degrees from horizontal. It is preferable to use a straight style lifting bar that keeps the attaching chains in a near vertical orientation.

NOTE: Always inspect unit lift hooks for signs of wear, cracking, corrosion, gouges, alterations, or distortion before use.

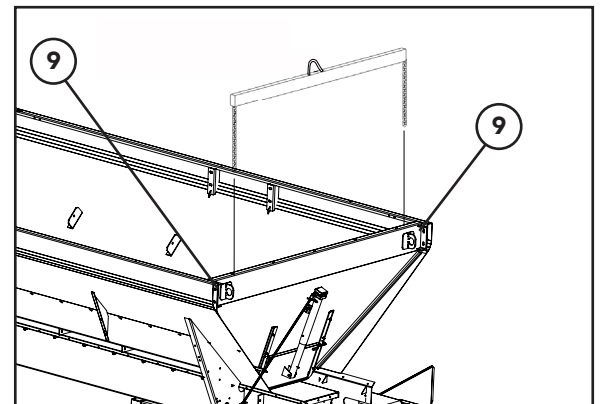


Figure 3

Insert Preparation

Feedgate Adjustment

Figure 1 - Loosen six cap screws (A) and push feedgate assembly upwards in slots. Tighten cap screws to ensure feedgate does not interfere when installing insert.

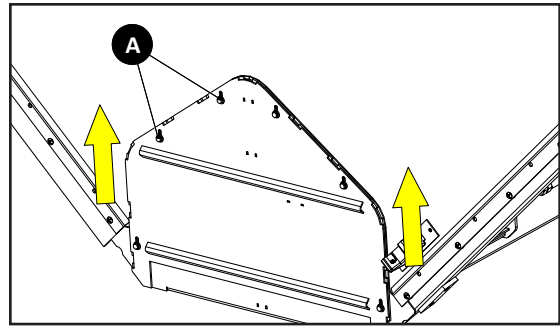


Figure 1

Insert Install

⚠ WARNING

Use only lifting devices that meet or exceed OSHA standard 1910.184. Never exceed work load limits or lift equipment over people. Empty spreader before lifting. Loads may shift or fall if improperly supported, causing injury.

Before installing the insert:

Parts Needed:	
Description	Qty
Insert Unit	1
Capscrew - 1/2 x 1 1/4 Grade 8	8
Flat Washer - 1/2 Grade 8	16
Lock Washer - 1/2 Grade 8	8
Hex Nut - 1/2 Grade 8	8

To install insert bin:

Figure 1A - Make sure rubber sealer hardware (1) is loose.

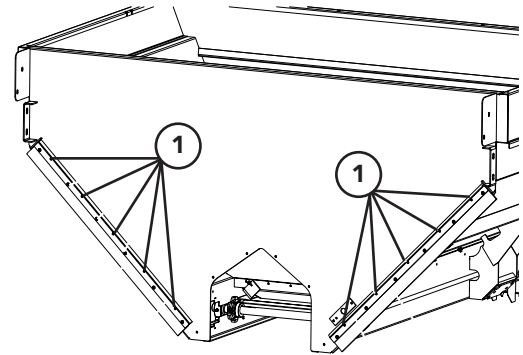


Figure 1A

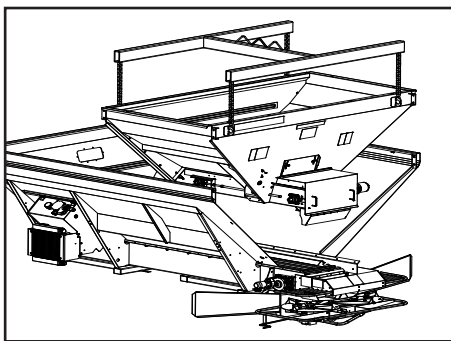


Figure 1B

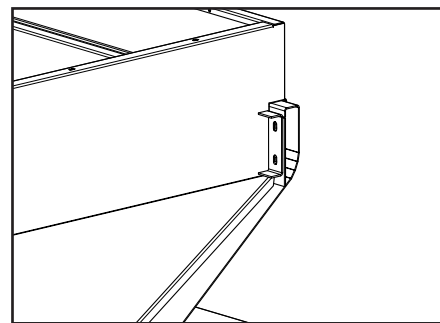


Figure 1C

Figure 1B - Hoist and slide insert into position between main bin's side sheets.

Figure 1C - Align front and rear mount brackets.

Make sure insert is resting on inside of main bin, and not resting on tops of side sheets.

Release tension on hoist but do not remove.



Figure 2A (uninstalled)

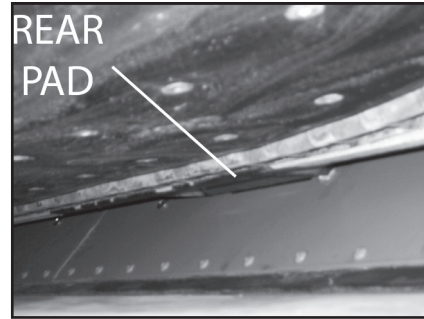


Figure 2B (shown installed)
View from rear of unit.

Figures 2A-2B - Visually make sure insert is centered from side to side in main bin and rear pads are resting on main bin.

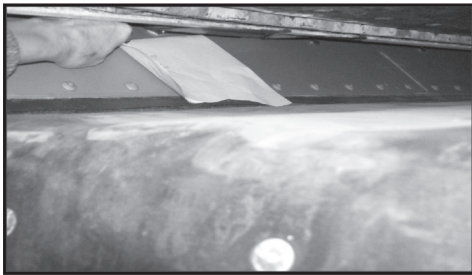


Figure 3



Figure 4

Figure 3 - There must be contact between rear pads and main unit. Check for contact by trying to slide paper between pads and main bin. If no contact, adjust insert.

Figure 4 - Inside main unit, locate front pads by lifting rubber sealers on front endgate.

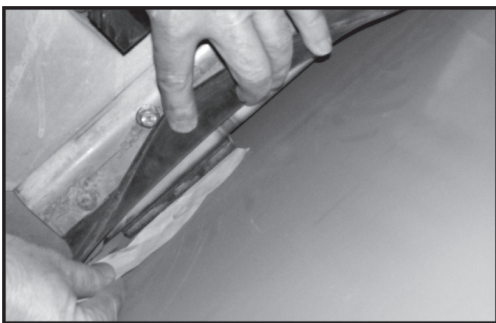


Figure 5A



Figure 5B

Figures 5A-5B - There must be contact between front pads and main bin. Check for contact by trying to slide paper between pads and main bin. If no contact, adjust insert.

NOTE: Pry insert at mount brackets if necessary.



Figure 6



Figure 7



Figure 8A

Figure 6 - Once both front pads make contact, insert hardware in front mount brackets' lower holes. Shim between main bin and insert brackets if distance is larger than 1/8" (.32cm). Tighten hardware per torque recommendations in this manual.

Figure 7 - Make sure front feedgate is level. Lower endgate sealers so flush with chain shields and tighten hardware.

NOTICE Leakage of material may occur if the sealer belts are not set properly on the front of the insert. New Leader Manufacturing is not liable for lost material due to improperly installed sealer belts.

Figure 8A-8B - Make sure there is a complete seal covering the gap between the insert and the main bin's side sheets. Tighten all hardware (1) on rubber sealers at front of insert.

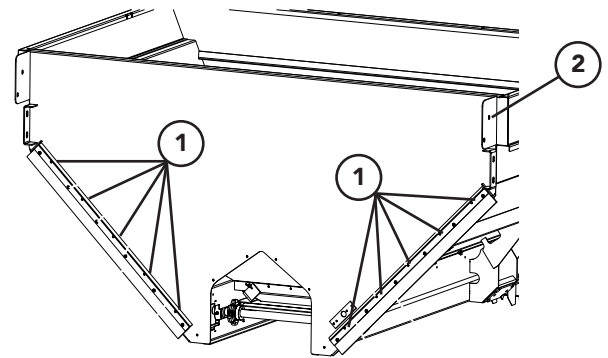


Figure 8B

Make sure rear pads are still in place against main bin. Install hardware in lower holes of rear mount brackets. Shim between main bin and insert brackets if distance is larger than 1/8" (.32cm). Tighten hardware per torque recommendations in this manual.

Make sure insert's side sheets are not resting on top of main bin's side sheets.

Install hardware (2) in all four mount brackets' upper holes. Tighten hardware per torque recommendations.

Remove hoist.

Inspect unit for foreign debris in conveyor area.

Figure 9 - Connect Bin harnesses as equipped at rear electrical bulkhead. Ensure all unused receptacles are capped to prevent entrance of dust and moisture into connector(s).

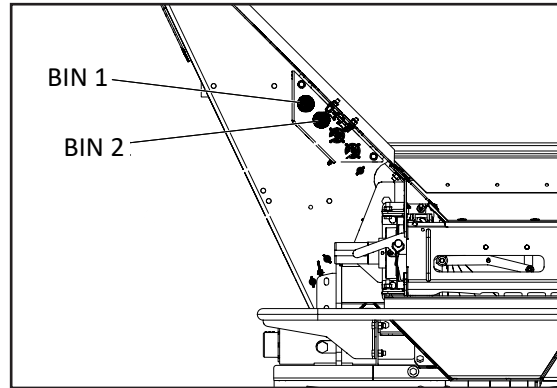


Figure 9

Figure 10 - Route lubrication lines and install in the grease bank.

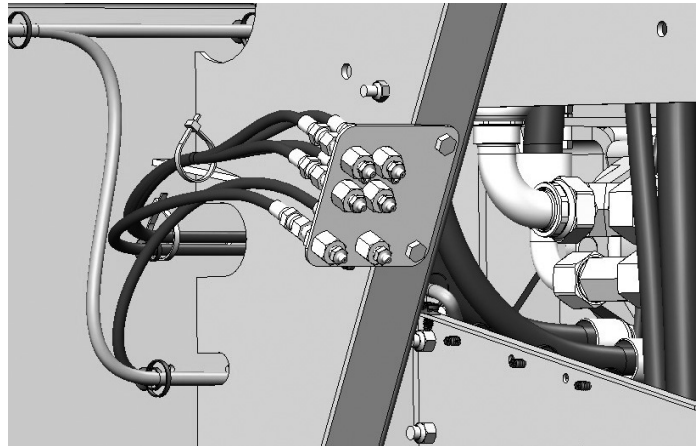


Figure 10

Figure 11 - Update machine configuration by following steps through controller display. See "Machine Configuration" in Controller Operations section of this manual for details.



Figure 11

Hillside Divider & Conveyor Cover - MultiApplier

The following steps apply to MULTAPPLIER units only. Continue to "Lower Divider - MULTIBIN" for MULTIBIN units.

NOTICE

New Leader Manufacturing will not be liable for misapplied material due to an improperly adjusted divider, spreader or both.

Parts Needed:

Description	Qty
Divider - Lower Weldment	1
Bolt - Carriage 3/8-16NC x 1 SS	4
Washer - Flat 3/8 SS	8
Nut - Lock 3/8-16NC SS	4
Cover - Weldment Rear	1
Pin - Hair	2

1. Remove hardware from rear two chain shield holes on each side of MULTAPPLIER and set aside.
2. Figure 1 - Install MULTAPPLIER Hillside Divider Support (A) and fasten to MULTAPPLIER by reinstalling chain shield hardware. Slip MULTAPPLIER Hillside Divider (B) up into place and loosely install supplied hardware.
3. Verify that Divider is square by measuring from each side of the Divider to the MULTAPPLIER chain shields. Measurements must be equal.
4. Tighten all hardware to recommended torque.
5. Figure 2 - Install Conveyor Cover (C) and secure with hair pins (D) on each side.

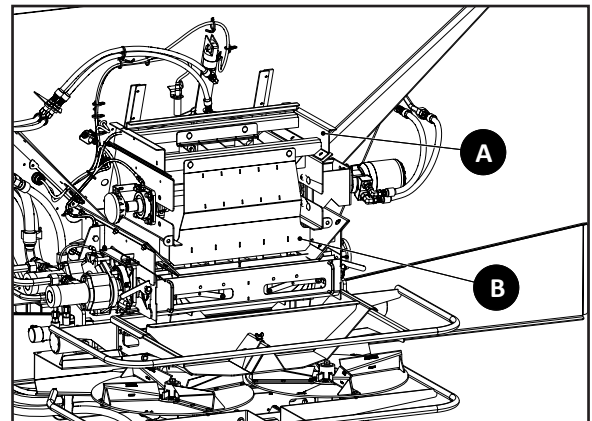


Figure 1 - MULTAPPLIER Hillside Divider

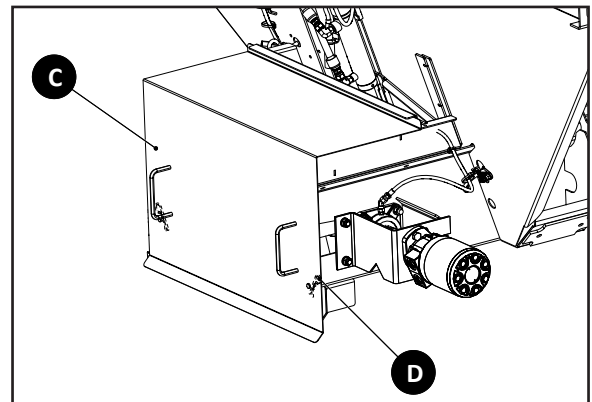


Figure 2

Lower Divider - Multibin

The following steps apply to MULTIBIN units only. Continue to "Hydraulics" for MULTAPPLIER units.

NOTICE

New Leader Manufacturing will not be liable for misapplied material due to an improperly adjusted divider, spreader or both.

Parts Needed:

Description	Qty
Divider - Lower Weldment	1
Capscrew - 5/16-18NC x 1 SS	4
Washer - Flat 5/16 SS	8
Nut - Lock 5/16-18NC SS	4

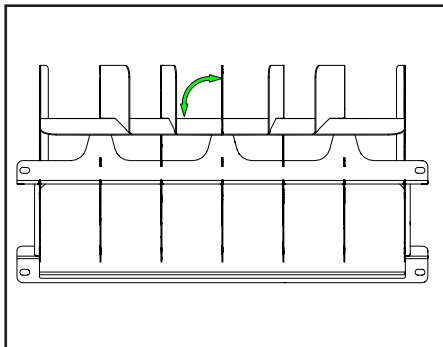


Figure 1

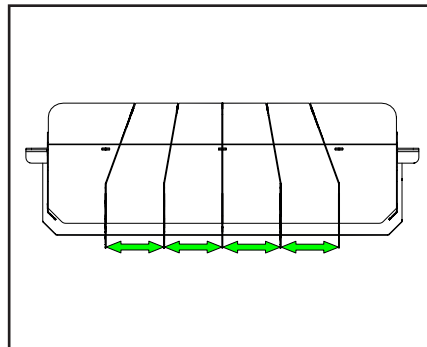


Figure 2

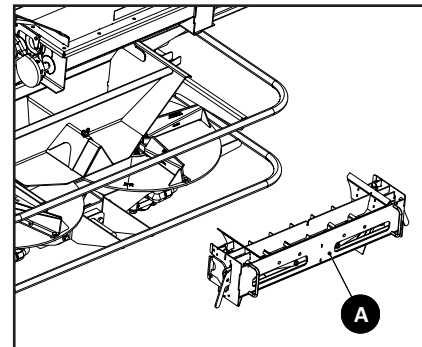


Figure 3

1. Figure 1 - Make sure center fin is square to rear panel. Adjust as necessary.
2. Figure 2 - Measure distance between Lower Divider fins to make sure they are all spaced equally. Adjust bottom of fins as necessary.
3. Figure 3 - Remove Vane Assembly (A) by pulling lynch pins and lowering latches on each side. Remove from spreader and set aside.

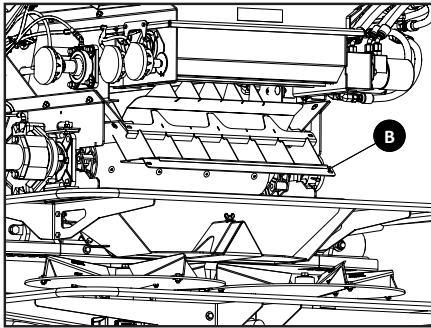


Figure 4A

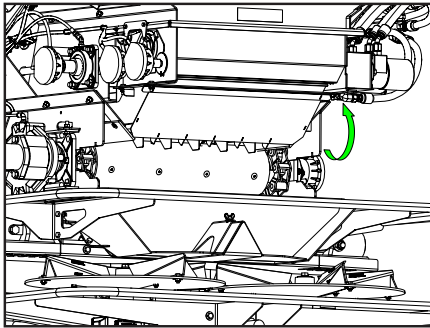


Figure 4B

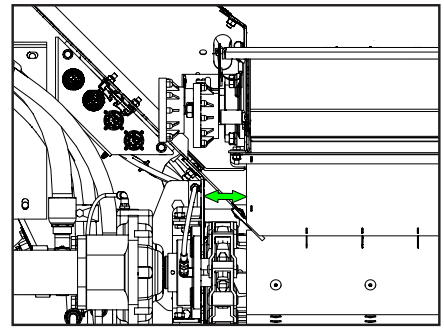


Figure 5

4. Figure 4A - Slide Lower Divider (B) between bottom of MULTI BIN and Spinner Divider as shown.
5. Figure 4B - Lift Lower Divider to bottom of MULTI BIN, align holes and loosely install front and rear hardware.
6. Figure 5 - Verify Lower Divider is square by measuring from each side to main bin's chain shields. Make sure distances are equal.
7. Figure 6 - Reinstall Vane Assembly (A) and lock in place. Make sure Lower Divider is centered over Material Divider. Contact New Leader Manufacturing if they cannot be aligned.
8. Tighten front and rear hardware per torque recommendations. Refer to "Standard Torques" in the "Lubrication and Maintenance" section of this manual.

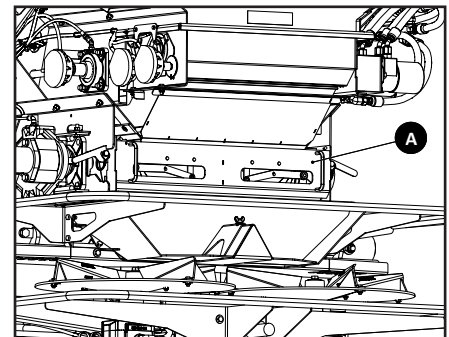


Figure 6

Micro Cover Installation

Air Supply and Electrical Requirements

Auxiliary Supply Line	Electrical Connections
Dry Air - 85 PSIG (5.86 Bar)	Red = 12 V (+) Black = Ground (-)

Refer to "MultiBin Lid Pneumatics" in the spreader parts manual for air line connections.

Make sure all hardware on insert is torqued before installing cover.

⚠ WARNING

Pressurized air may cause sudden movement of parts. Do not service cover components until safety precautions have been performed. Take preventative measures to prevent falling or runaway of cylinder or mechanism before maintenance and restart of spreader. Exhaust all residual air and cut the pressure supply for components before servicing. Failure to comply with this requirement could result in death or serious injury.

⚠ WARNING

Open cover lid with air prior to removing actuator pin and block cover lid to prevent closing. Failure to comply with this requirement could result in death or serious injury.

Fasten a three-point lifting device to two lift hooks and one hole in guide mount as shown in Figure 1. Hoist cover onto MULTIBIN as shown in Figure 2. Align slots and attach hardware. Tighten to recommended torque. Secure fittings and airline tubing on MULTIBIN with wire ties as shown in Figure 3. Connect to air and electrical systems. Open lid and install additional hardware inside cover. Install screens.

Refer to "Air Schematic" page in the Troubleshooting section for air supply requirements.

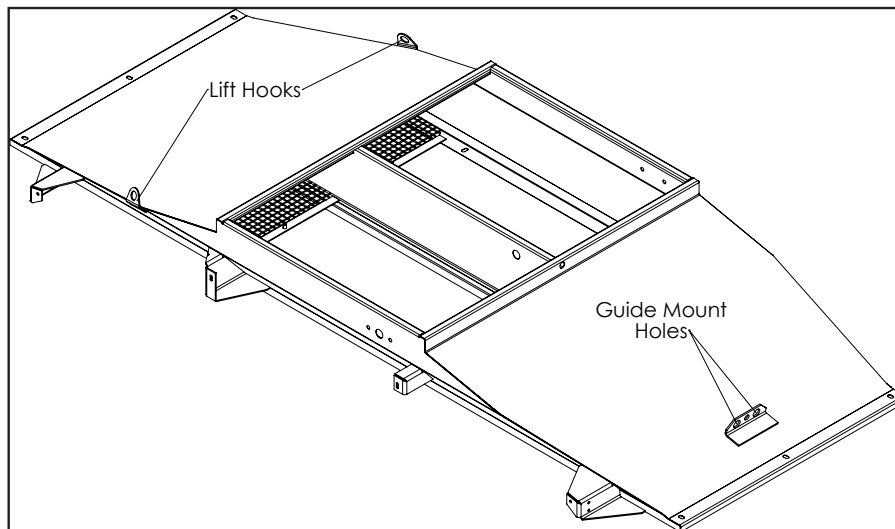


Figure 1 - Lift Hooks & Guide Mount

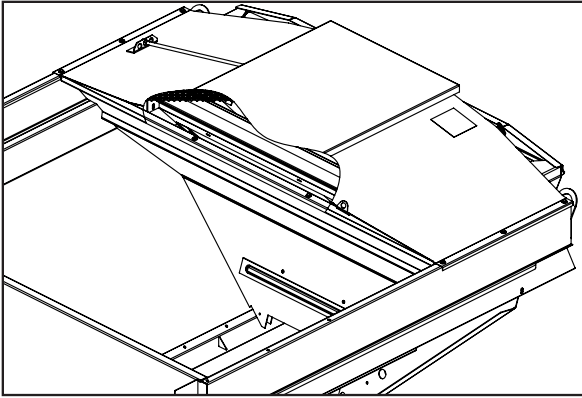


Figure 2 - Cover Placement

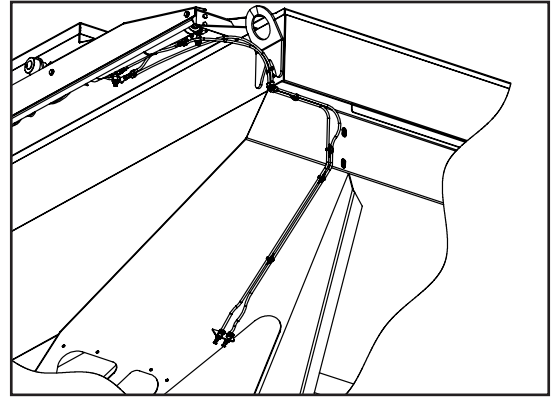


Figure 3 - Cover Airline Tubing

Hydraulics

⚠ WARNING

Avoid serious injury from injection of pressurized hydraulic fluid. Always relieve pressure before servicing hydraulic system. Never open hydraulic lines under pressure. Escaping fluid under pressure can penetrate the skin. Failure to comply with this requirement could result in death or serious injury.

Attach insert hoses to spreader hoses as shown. See Parts Manual for part numbers and additional clarification.

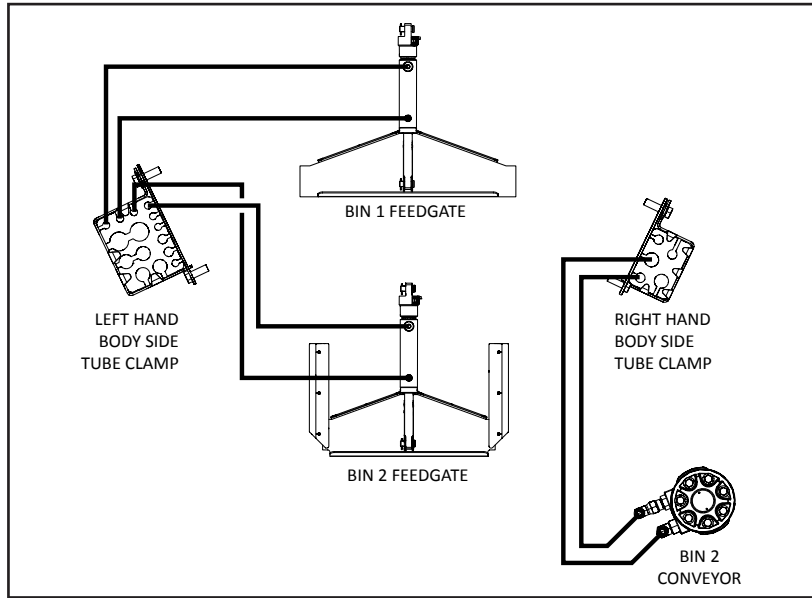


Figure 1A - MULTAPPLIER Operation

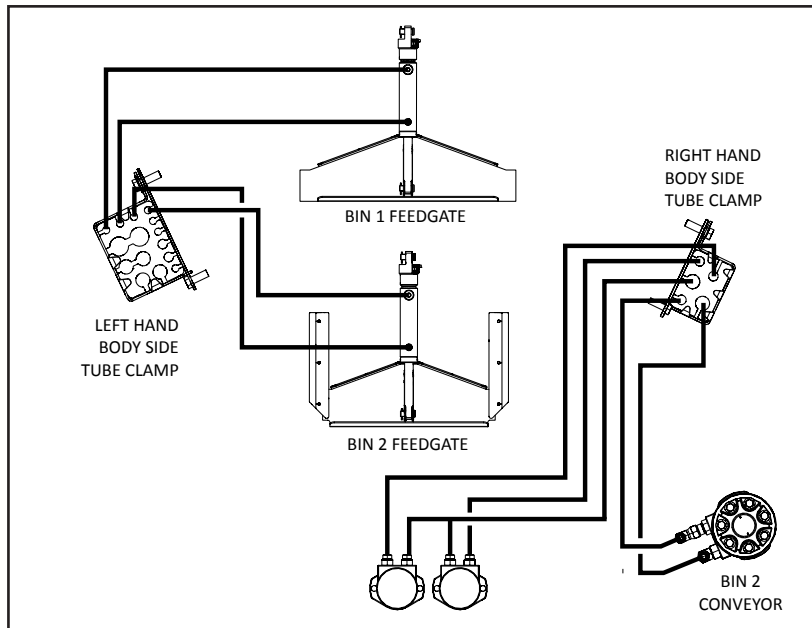


Figure 1B – MULTIBIN Operation Dual Micro

Install Valve Bracket

Parts Needed:	
Description	Qty
Mounting Bracket	1
Capscrew - .375-16NC X 1 SS	4
Flat Washer - .375 SS	4
Lock Nut - .375-16NC SS	4

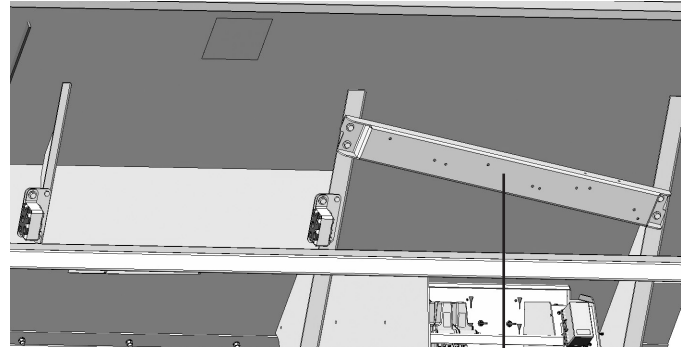


Figure 1 - Mounting Bracket

1. Install Bracket (1) using associated hardware.
2. Tighten hardware per torque recommendations.

NOTE: Procedure shown is for MultApplier. Multi Bin process is similar.

Install Valve

Parts Needed:	
Description	Qty
Valve	1
Capscrew - .25-20NC X 3.25 SS	2
Washer - .25 ID X .40 OD X .13 THK SS	2
Washer - .25 ID X .40 OD X .5 THK SS	2
Lock Nut - .25-20NC SS	2

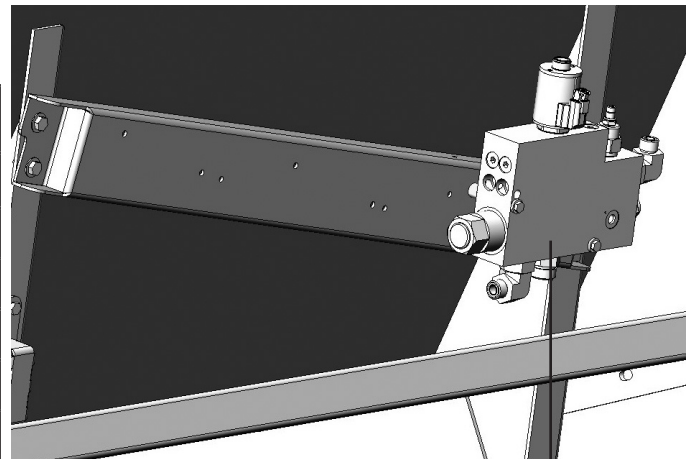


Figure 1 - Valve

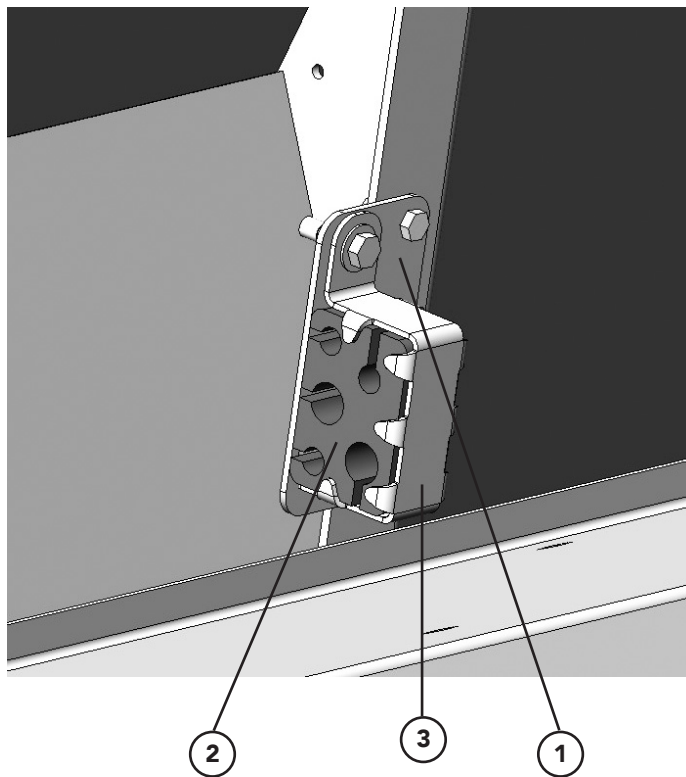
1. Install Valve (1) using associated hardware.
2. Tighten hardware per torque recommendations.

NOTE: Procedure shown is for MultApplier. Multi Bin process is similar.

Insert Installation

Install Clamp Assemblies

Parts Needed:	
Description	Qty
Plate	4
Bar Tube Clamp	4
Rubber Insert	4
Capscrew - .313-18NC X 1 SS	8
Capscrew - .375-16NC X 1.25 SS	4
Flat Washer - .313 SS	8
Flat Washer - .375 SS	4
Lock Nut - .313-18NC SS	8
Lock Nut - .375-16NC SS	4



1. Install Plate (1) using associated hardware.
2. Insert tubing into Rubber Insert (2).
3. Secure in place with Bar Tube Clamp (3).
4. Tighten hardware per torque recommendations.

NOTE: Procedure shown is for MultiApplier. Multi Bin process is similar.

Figure 1 - Clamp Assembly

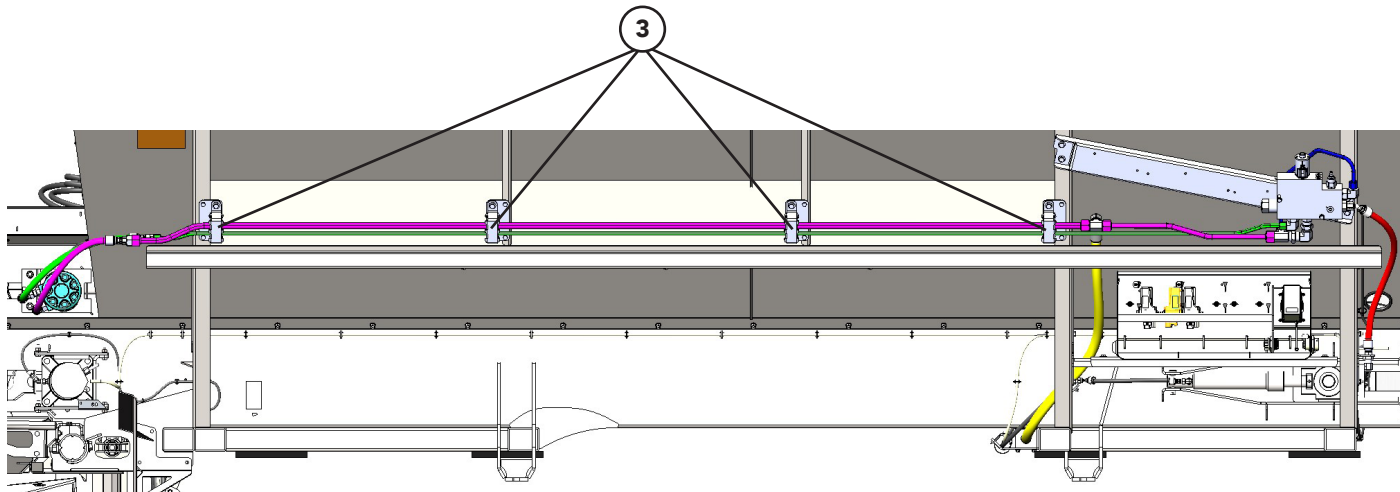


Figure 2 - Clamp Assemblies

Install Tubes and Hoses

See Parts Manual for part numbers and additional clarification.

1. Connect tubes and hoses as illustrated.
2. Check for leaks.

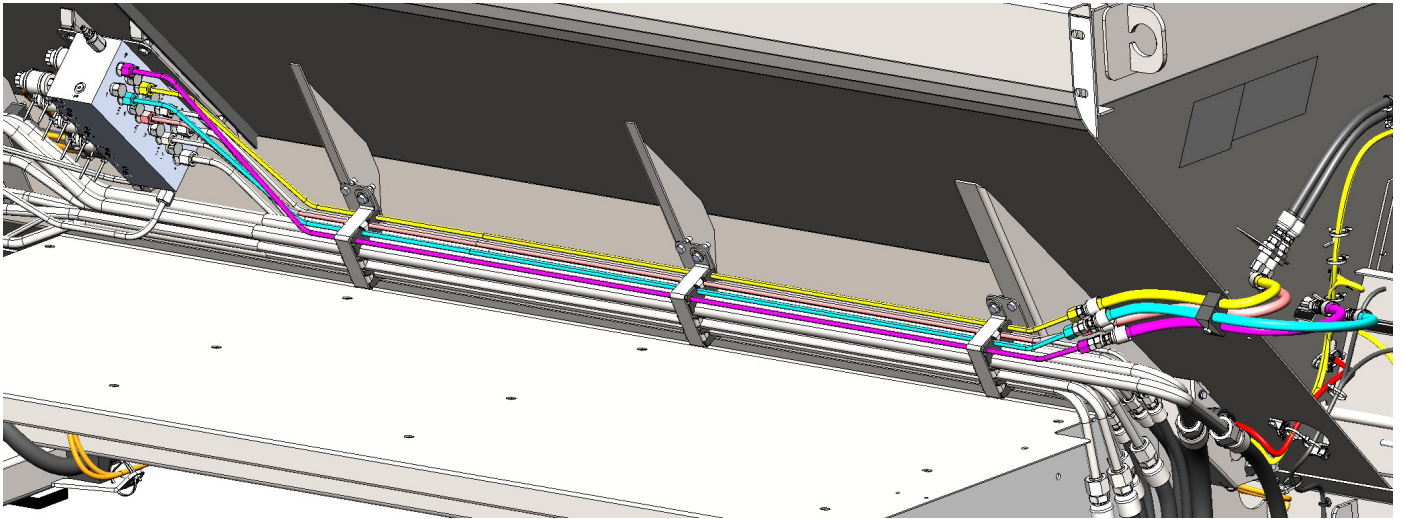


Figure 1A - MULTAPPLIER/MULTIBIN Left Side

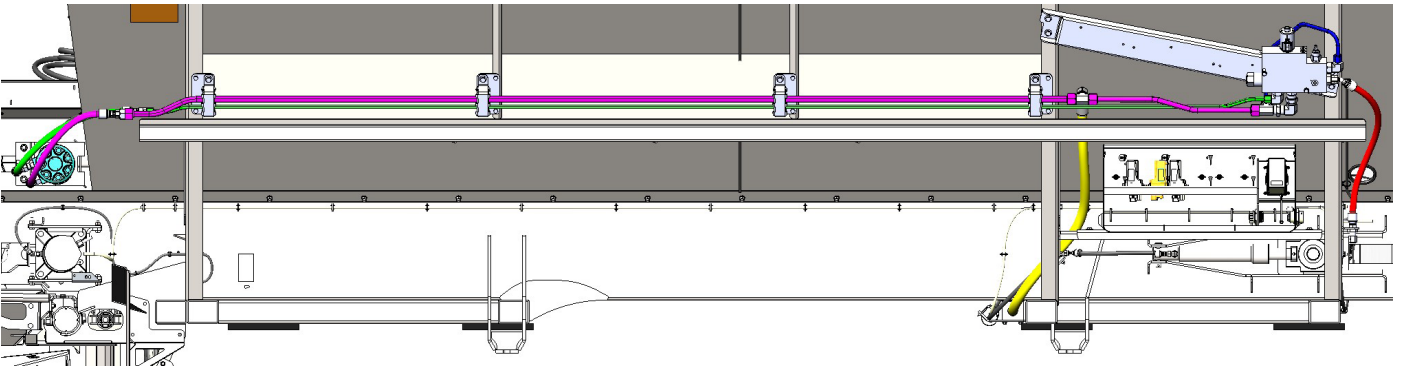


Figure 1B - MULTAPPLIER Right Side

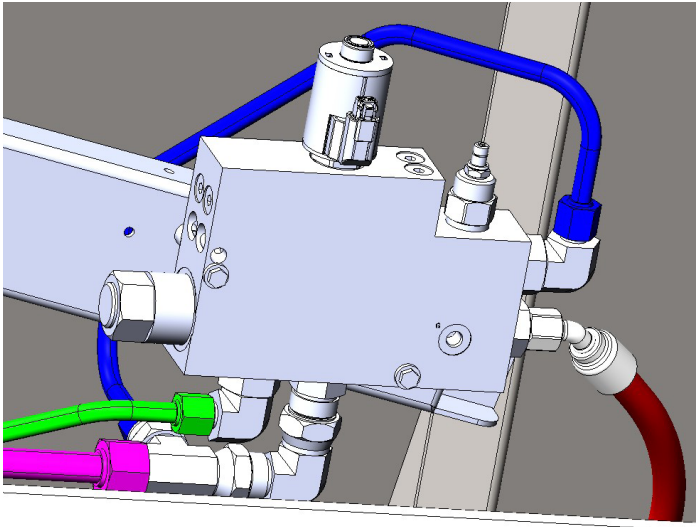


Figure 1C - MULTAPPLIER Valve Assy Connections

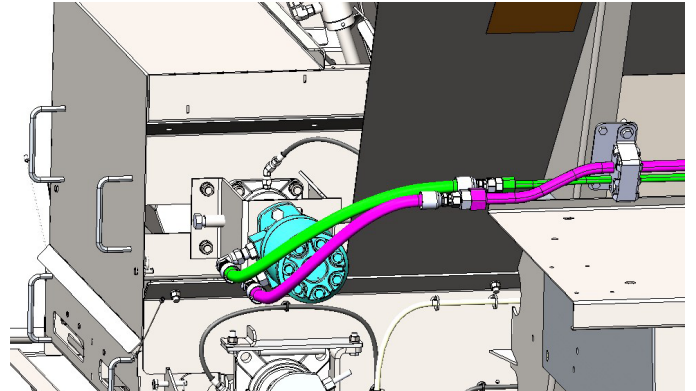


Figure 1D - MULTAPPLIER Motor Connections

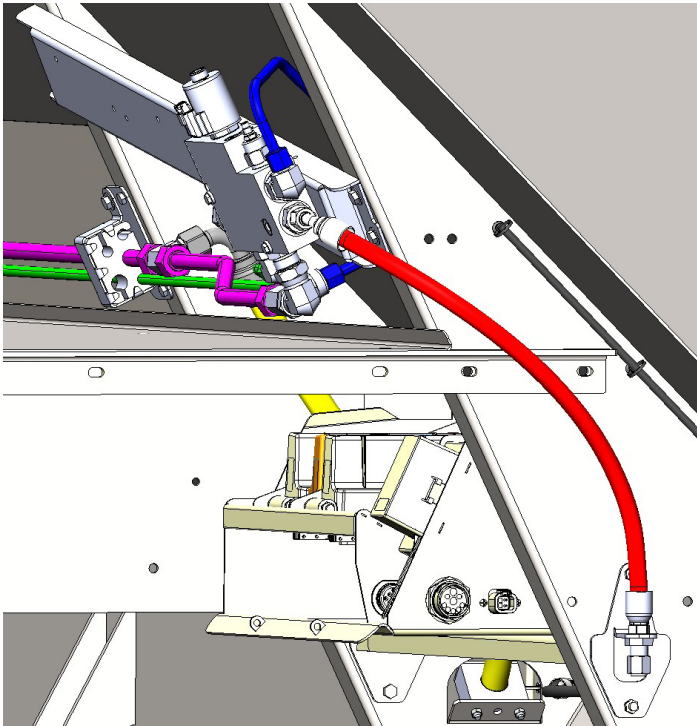


Figure 1E - MULTAPPLIER/MULTIBIN Right Side Front

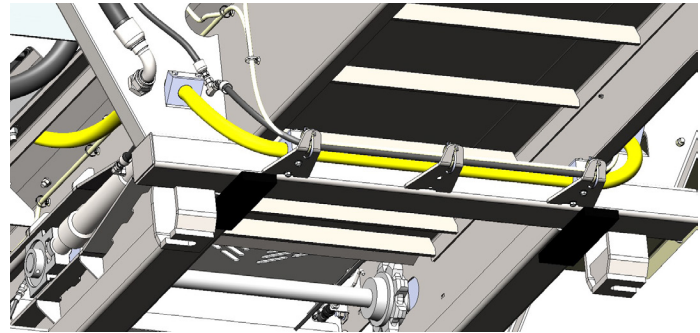


Figure 1F - MULTAPPLIER/MULTIBIN Front Underneath Tank Routing

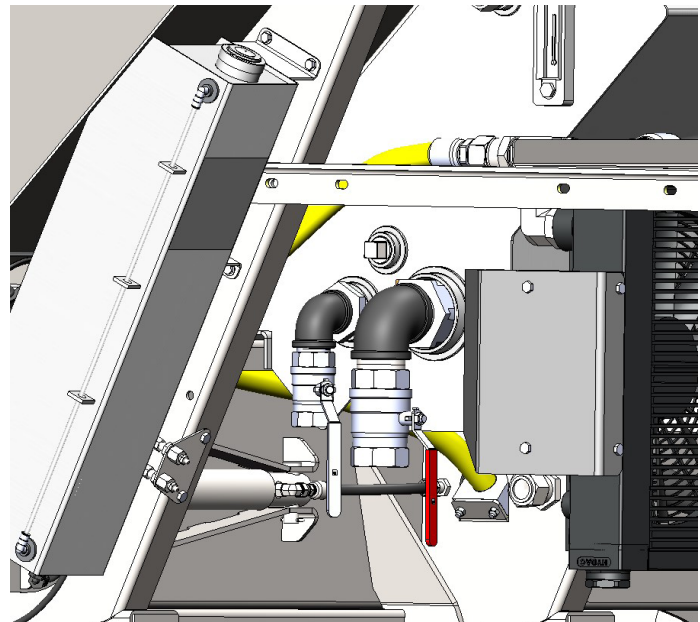


Figure 1G - MULTAPPLIER/MULTIBIN Tank Connection

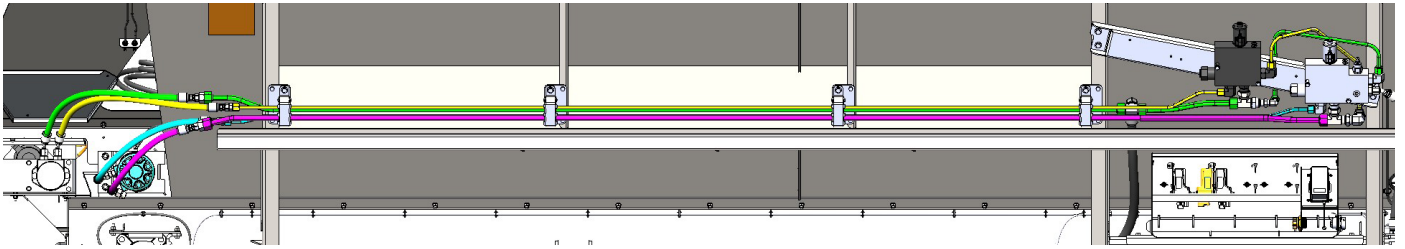


Figure 2A - 3-BIN Right Side

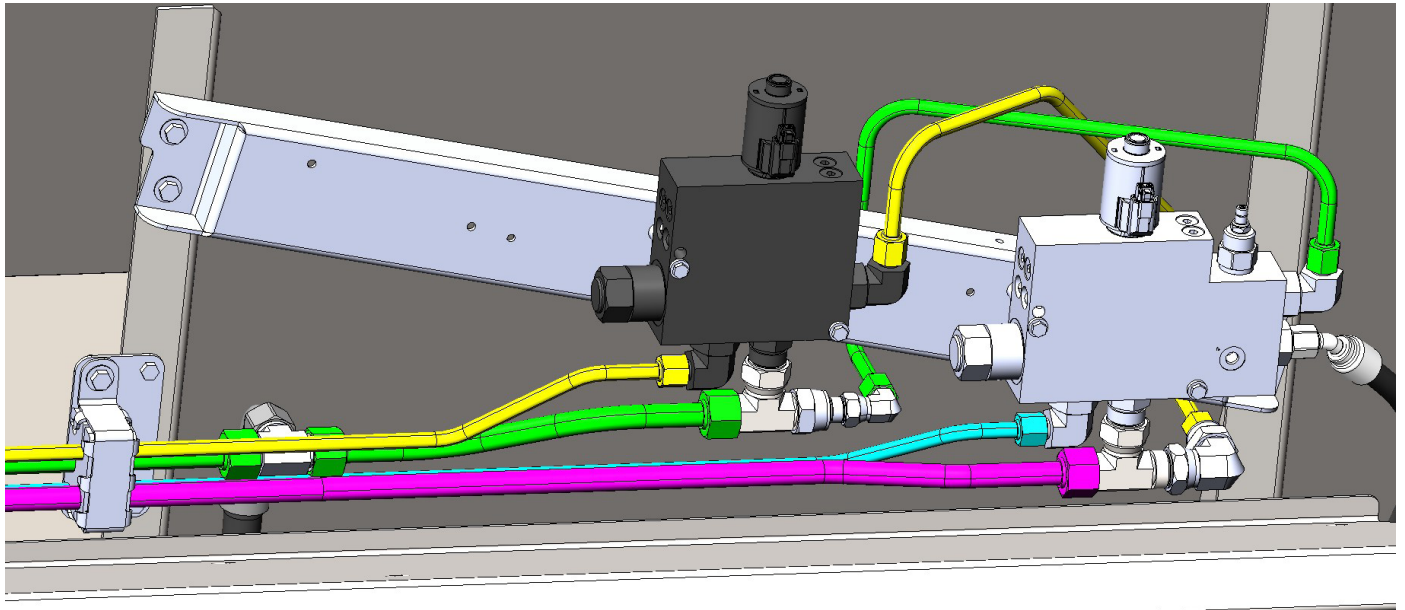


Figure 2B - 3-BIN Valve Assy Connections

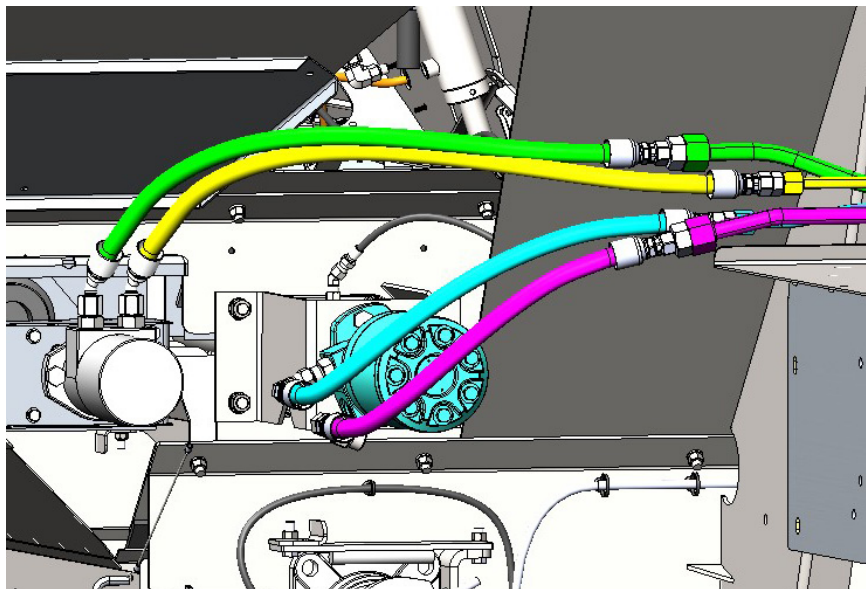


Figure 2C - 3-BIN Motor Connections

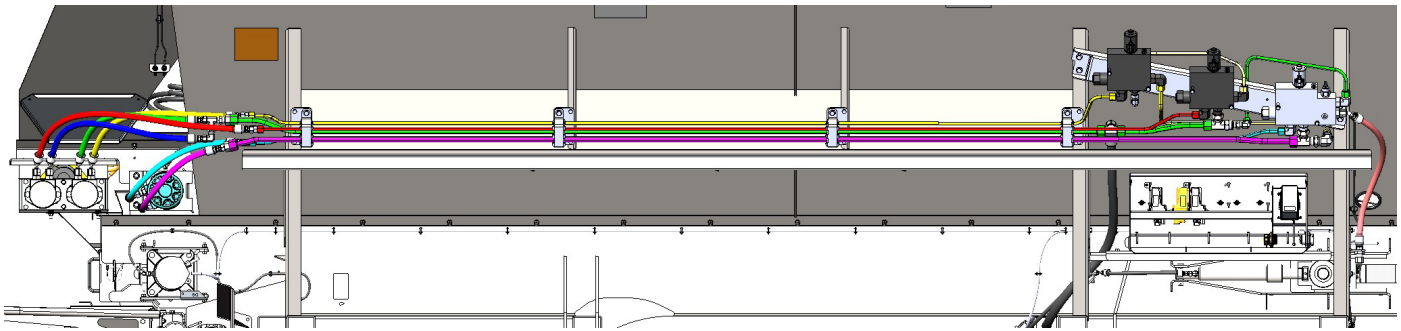


Figure 3A - 4-BIN Right Side

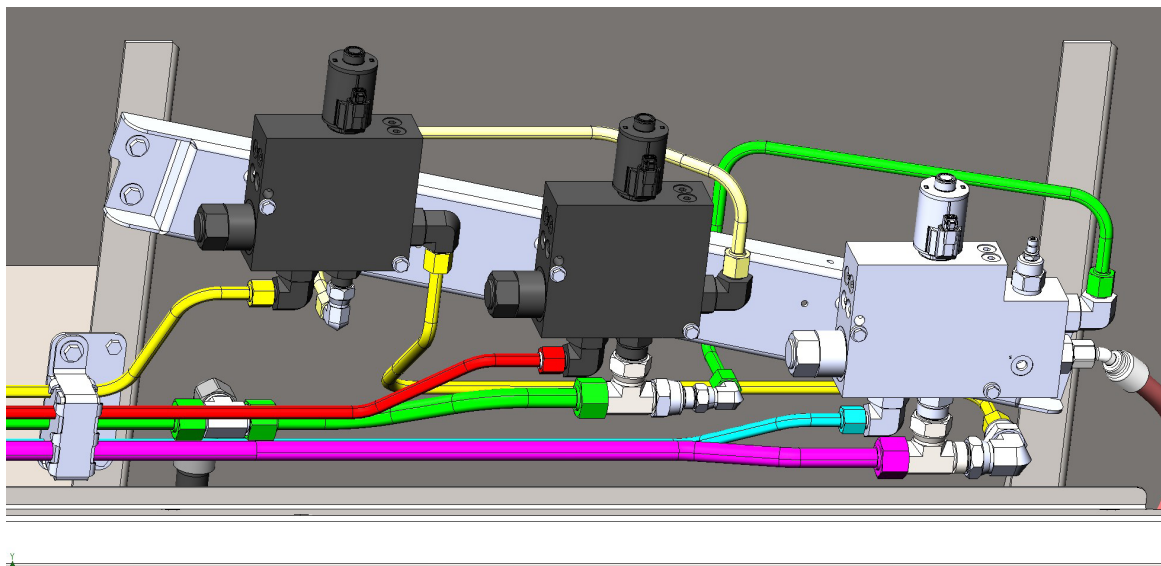


Figure 3B - 4-BIN Valve Assy Connections

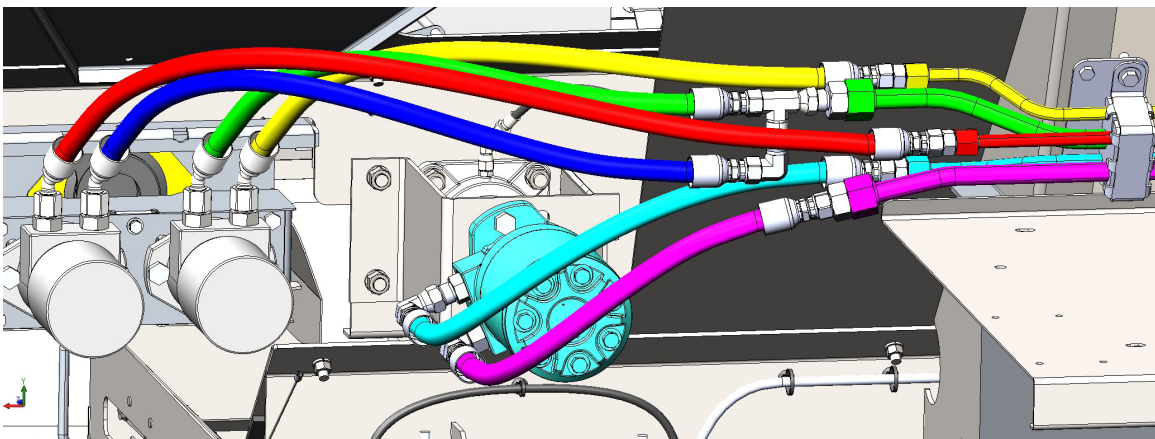


Figure 3C - 4-BIN Motor Connections

⚠ WARNING

Avoid serious injury from injection of pressurized hydraulic fluid. Always relieve pressure before servicing hydraulic system. Never open hydraulic lines under pressure. Escaping fluid under pressure can penetrate the skin. Failure to comply with this requirement could result in death or serious injury.

Hydraulics Removal

Route hydraulic hoses on the spreader and the insert as shown in Figures 2A - 2B as applicable.

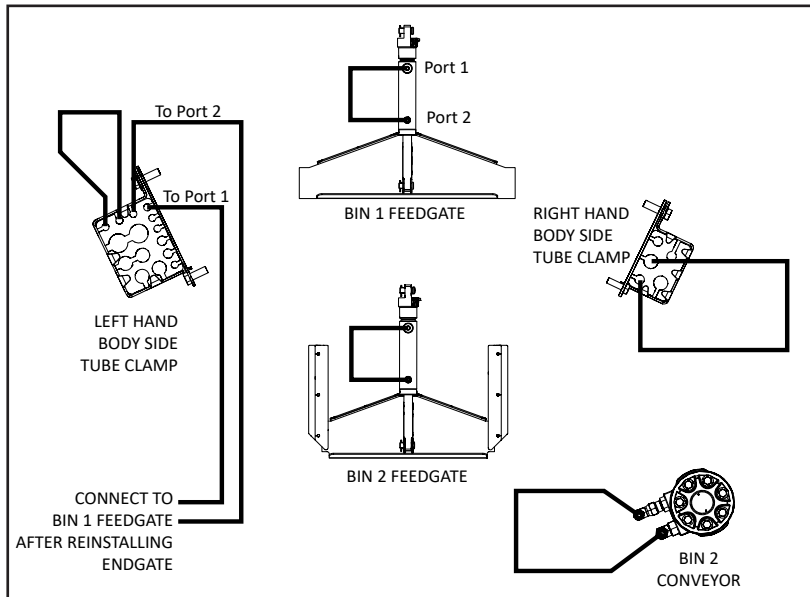


Figure 2A - Detach MULTAPPLIER

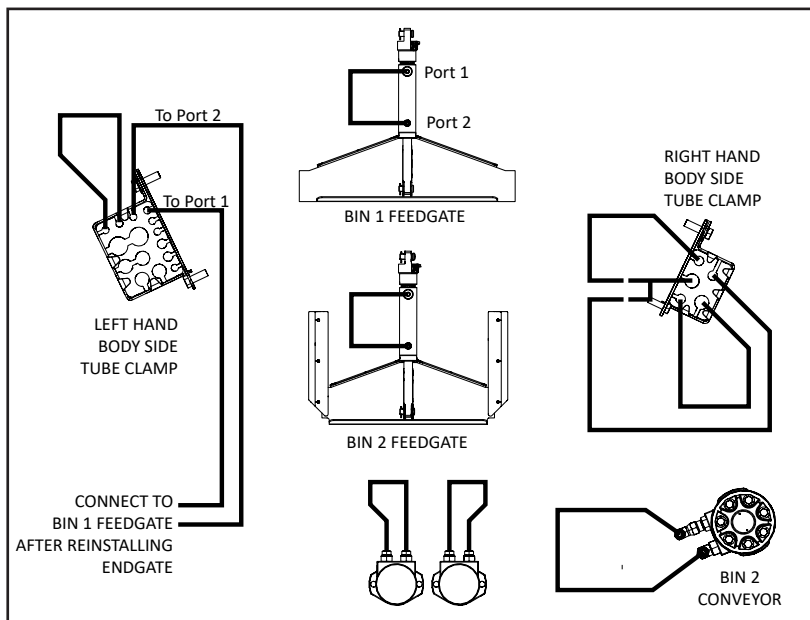


Figure 2B - Detach MULTIBIN Dual Micro

Electrical

Use the following illustrations to aid in electrical connections.

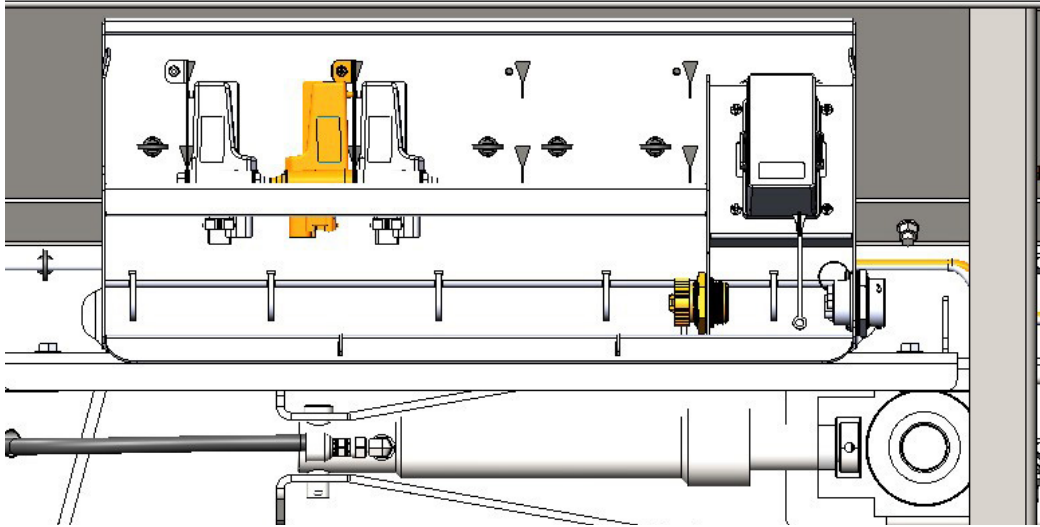


Figure 1 - Enclosure SINGLE BIN

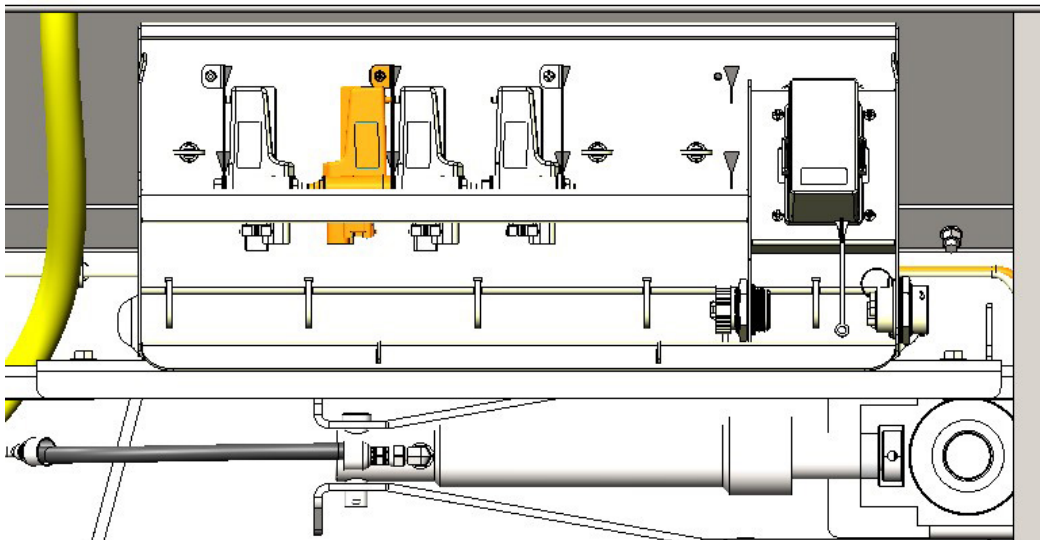


Figure 2 - Enclosure MULTAPLIER

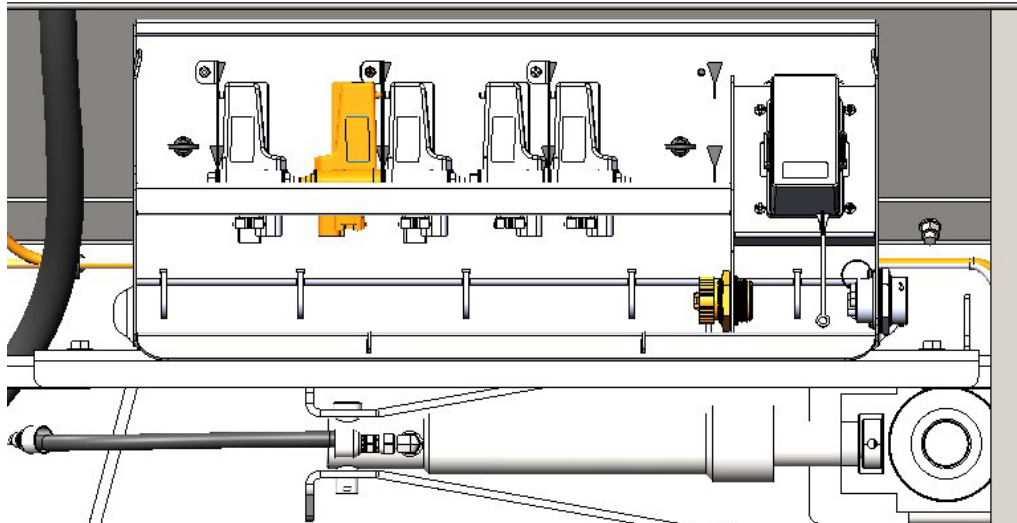


Figure 3 - Enclosure THREE BIN

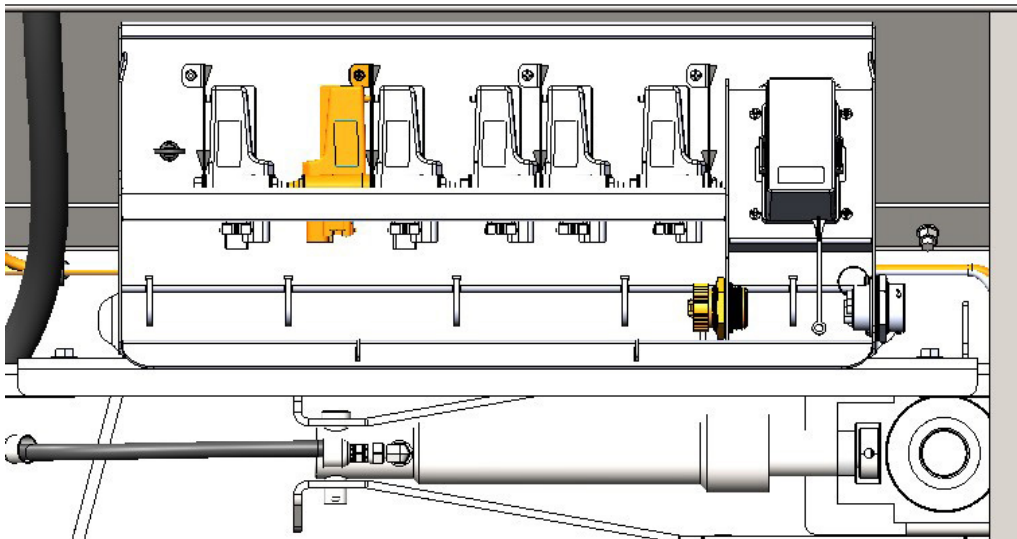
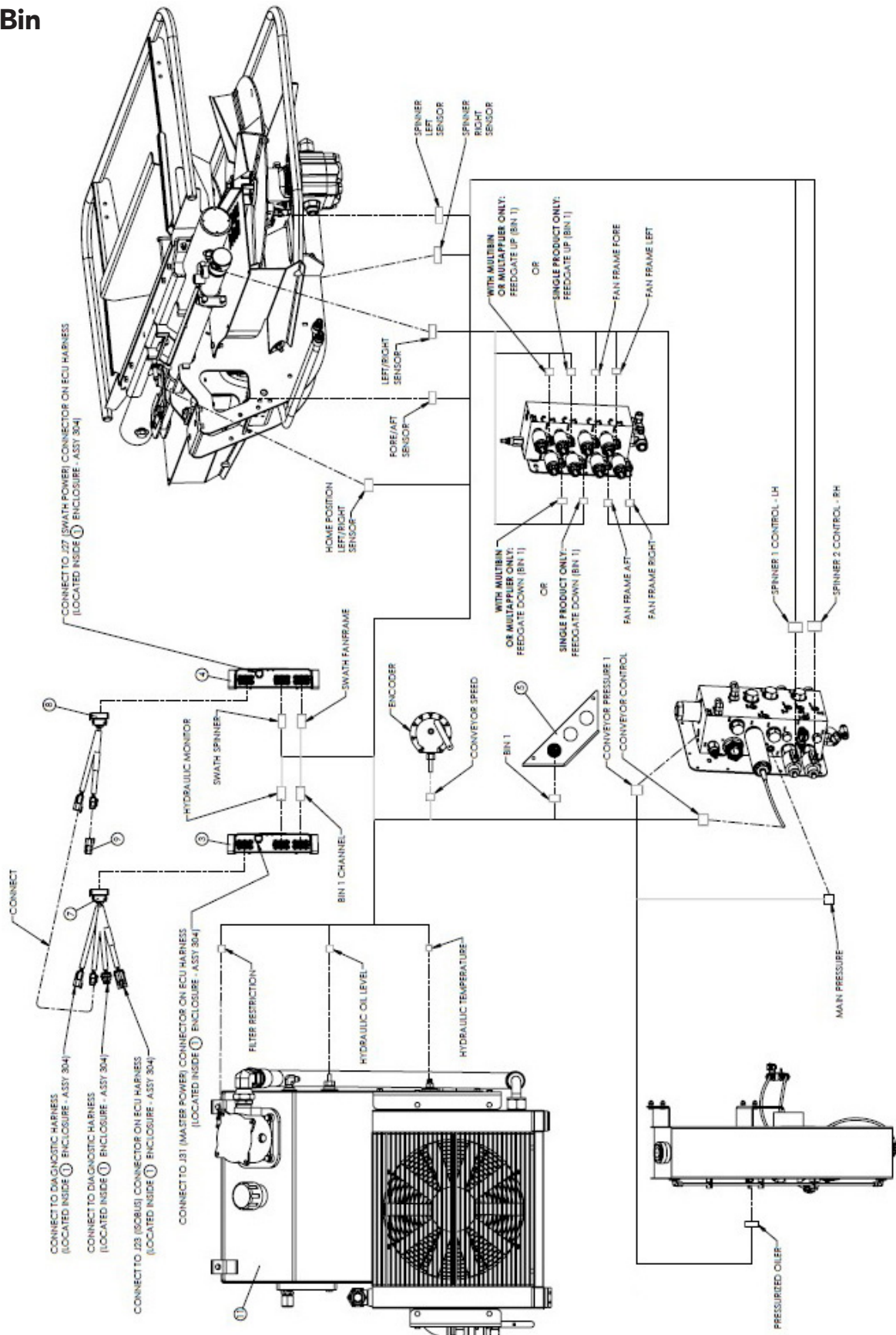
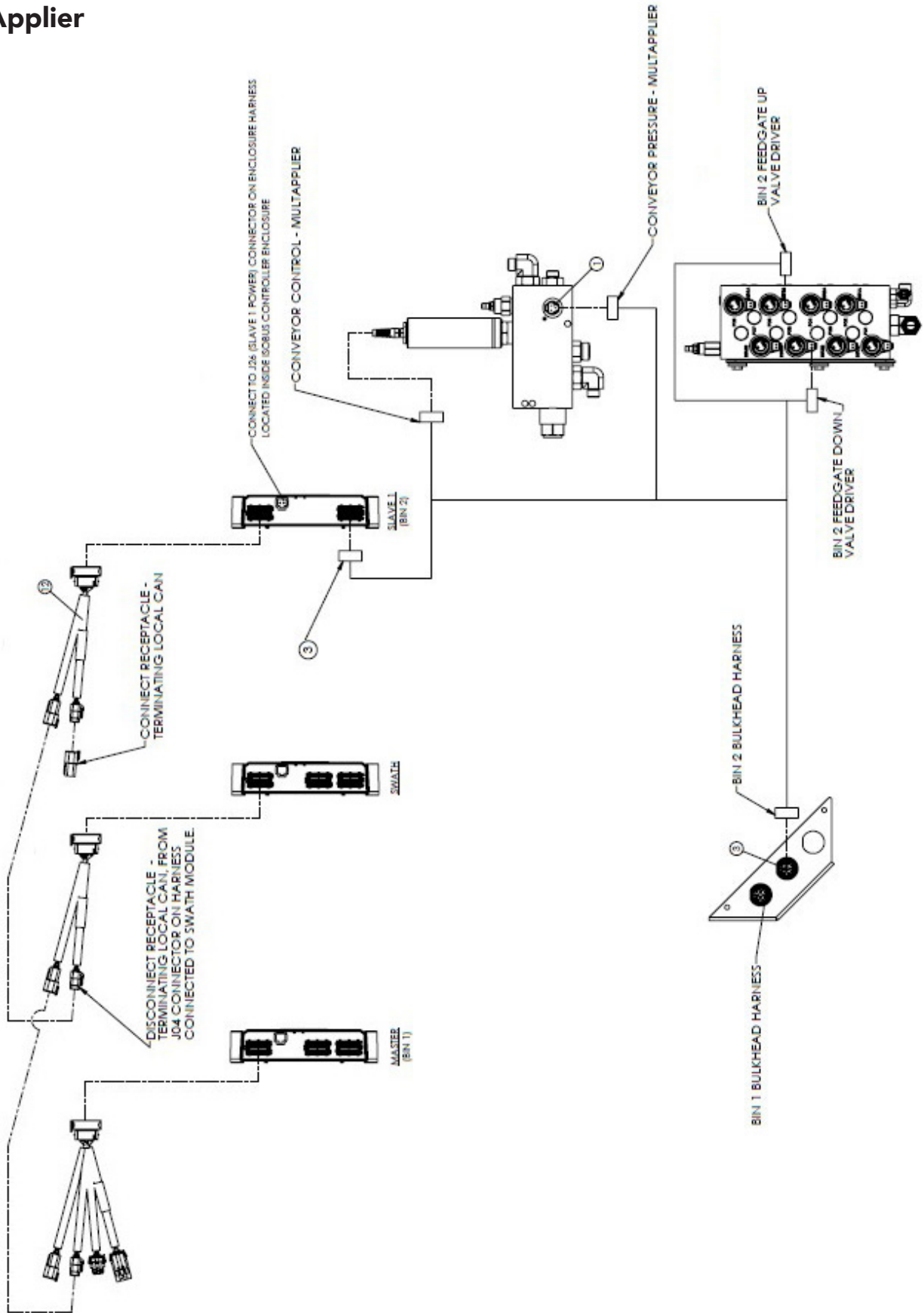


Figure 4 - Enclosure FOUR BIN

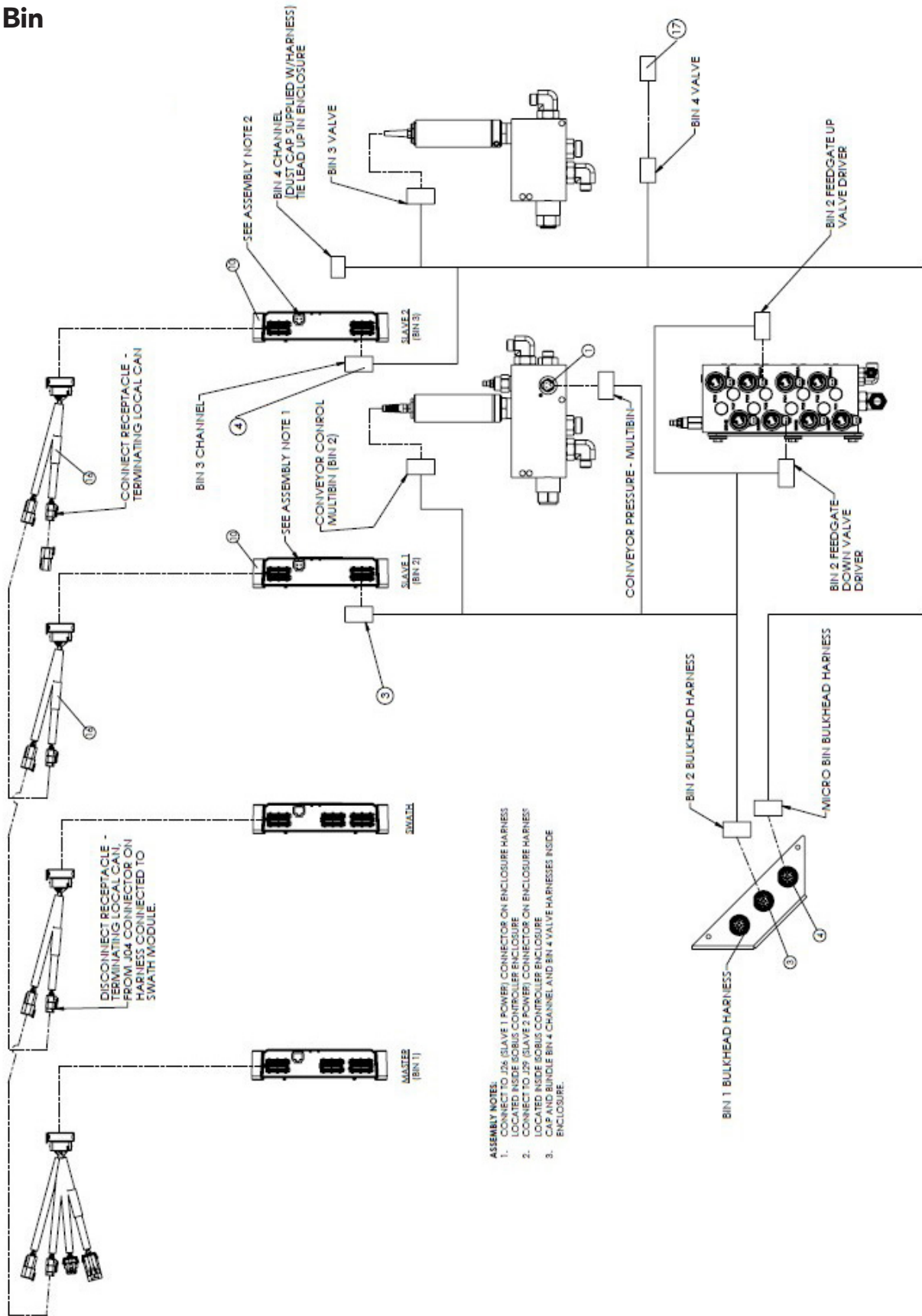
Single Bin



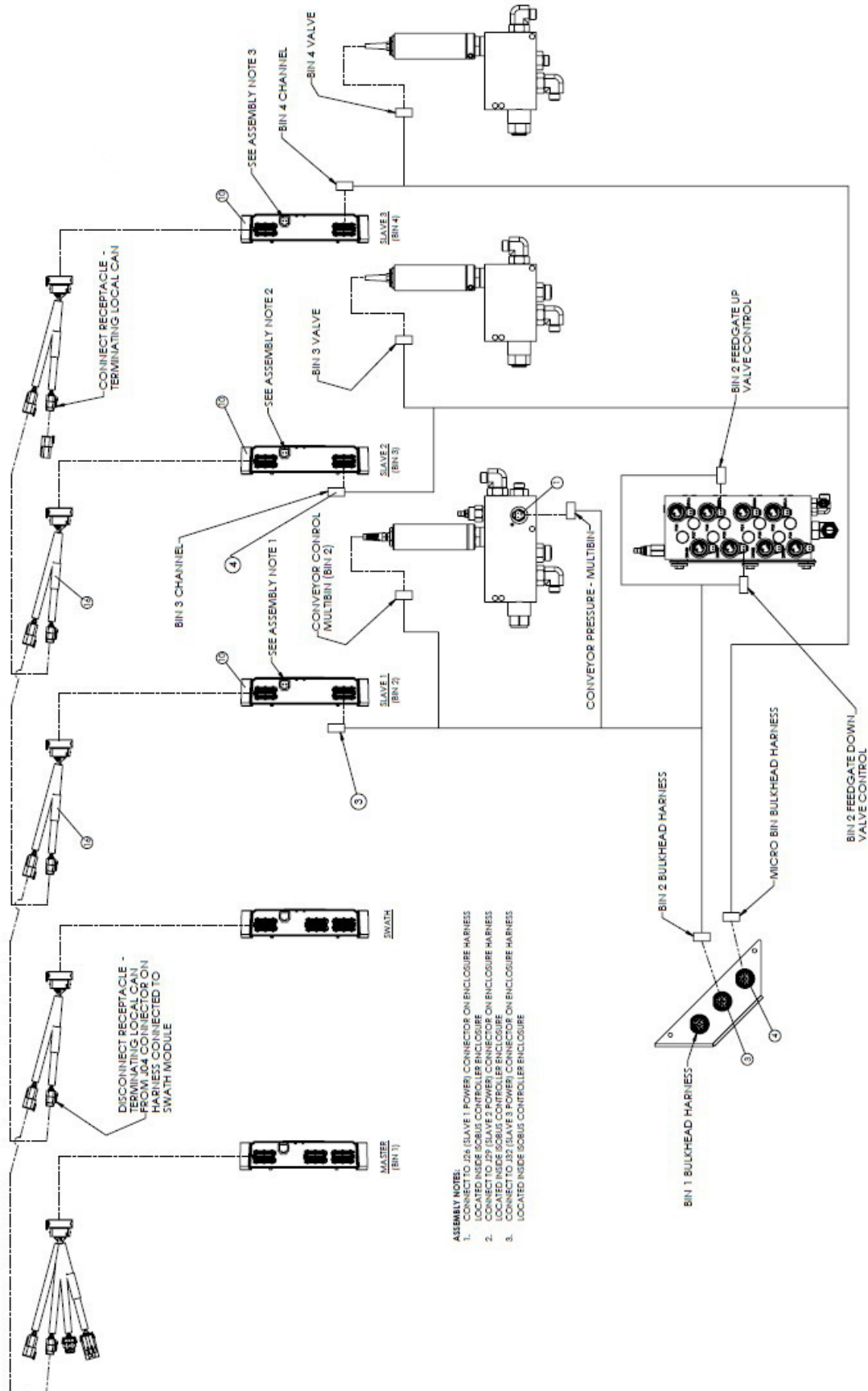
MultApplier



Three Bin



Four Bin



Insert Removal/Endgate Installation

Remove insert and reinstall endgate, Inverted "V", single conveyor Hillside Divider, etc. by following applicable installation instructions in reverse order. Make sure the insert hydraulics, electrical connections and air lines are disconnected from the spreader before removal. See "Inverted V" in spreader parts manual.

OPERATIONS

Operations

General Description

The Case IH NL5000G5 is a hopper type spreader intended for spreading free flowing granular agricultural materials, such as chemical fertilizers, agricultural limestone, and gypsum. It is intended for mounting on the Case IH Titan - a series of high-flotation application vehicles.

The unit is hydraulically powered and provides independent variable speed control for the spinner and full automatic ground speed control for the conveyor.

The conveyor delivers material to the spinners through a hydraulically adjustable metering gate at the rear of the hopper body. A 6-to-1 ratio spur gearcase assembly with dual orbital-type hydraulic motors drives the conveyor. The conveyor is a 30-inch (76cm) wide #4 belt-over-chain (BOC) type conveyor consisting of parallel strands of pintle chain joined by crossbars every other link. Moderately oil-resistant (MOR) belting is fastened to the top side of the conveyor at each crossbar.

The spinner assembly has two 24-inch (61cm) diameter dished discs. Each disc has four formed and heat treated fins that are adjustable to radial angle. The spinner is fully adjustable, both fore/aft and left/right via hydraulic actuators, allowing precise, 16-section swath control.

The optional 304 stainless steel hopper style spreader MULTAPPLIER or MULTIBIN may be inserted in the main bin.

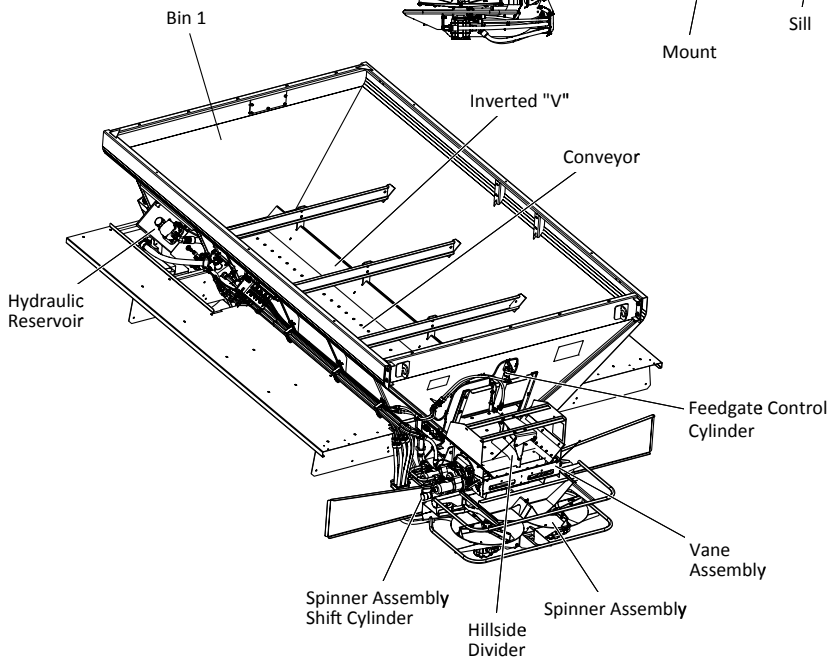
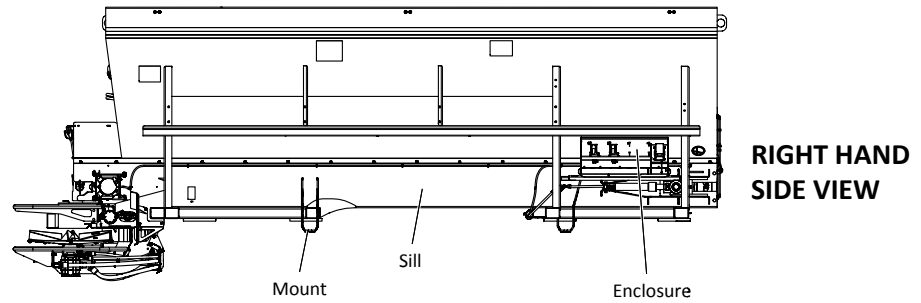
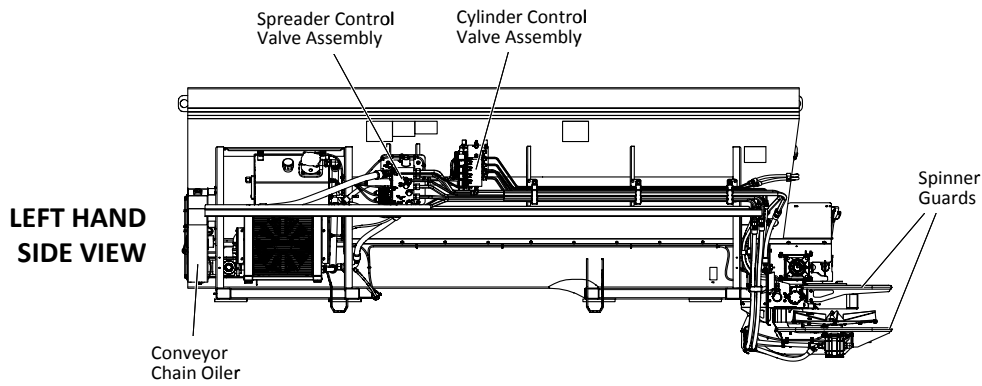
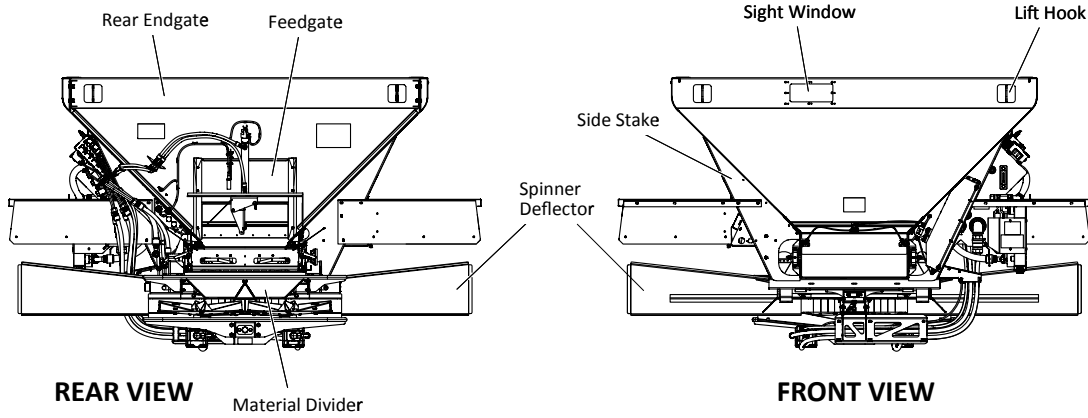
- Inserting the MULTAPPLIER allows for two separate materials to be spread simultaneously. It features a 24-inch (61cm) wide #4 belt-over-chain type conveyor consisting parallel strands of pintle type chain joined by cross bars every other link. Moderately oil-resistant belting is fastened to the conveyor at each crossbar. The direct-driven conveyor is also controlled independently enabling the delivery of material at variable rates through the adjustable gate at the rear of the hopper body. The hillside divider improves material placement on the spinner for a more effective spread pattern.
- Inserting the MULTIBIN will convert the spreader to a 3 or 4 hopper unit, which can be used independently or together for straight and variable rate applications. The front two hoppers dispense fertilizer products while the single or dual hopper at the rear dispense(s) micronutrients or seeding products. The rear bin(s) are sloped forward to improve chassis weight distribution. Material is delivered from the front bins by conveyor through adjustable metering gates. The rear bin(s) deliver material through a meter wheel system. Bin sensors are installed in all bins to warn when materials are low in each micronutrient bin.

The MULTIBIN also comes equipped with an upper and lower material divider which improves material placement on the spinner for a more effective spread pattern.

An optional micronutrient stainless steel cover which opens and closes with a stainless steel air cylinder is available.

Screens installed on micronutrient bins keep large chunks of material out of the bins by breaking the material up as it enters the bins.

This product is intended for commercial use only.



Bin 1: Main holding bin for material or Insert. MultiApplier and MultiBin inserts (shown on following pages) are configured as Bins 2-4 depending on type used.

Conveyor: Conveys material to rear of unit.

Conveyor Chain Oiler: Use to lubricate conveyor chain strands at the end of each day's use to prevent premature component failure.

Cylinder Control Valve Assembly: Contains control valves for all feedgate control cylinders, and spinner shift cylinders.

Enclosure: Houses spreader control modules and fuse panel.

Feedgate: Adjustable gate mounted into Rear Endgate. Allows for variable rates of material flow by moving hydraulic actuator to desired height.

Hillside Divider: Ensures balanced flow of material across conveyor when on hillsides or uneven terrain.

Inverted "V": Mounted inside Main Hopper when Insert not installed. Distributes weight pressure across conveyor, allowing for consistent material flow to Feedgate, and promotes an improved blend when spreading fertilizer.

Lift Hooks: Used to lift unit or insert with appropriately rated lifting device.

Material Divider: Ensures uniform spread pattern by directing material off of conveyor onto spinner discs.

Material Divider Back Plate Storage: Storage position for material divider back plate when removed for spreading lime.

Rear Endgate: Bolt-in endgate furthest from chassis cab (Rear based on direction of travel). Holds mounted Feedgate, allowing for rear release of material from bin.

Side Stake: Side support for machine walls.

Sight Window: Allows viewing into Bin 1 from remote location, such as from ground or from vehicle cab.

Sill: Base of Main Hopper side walls. Contains Conveyor and supports machine walls.

Spinner Assembly: Contains adjustable G4 Spreader system, consisting of hydraulic spinners used for dispersal of various materials at different positioned settings allowing for consistent, even spread patterns across a wide variety of material with a high rate of accuracy.

Spinner Deflectors: Deflect material away from machine.

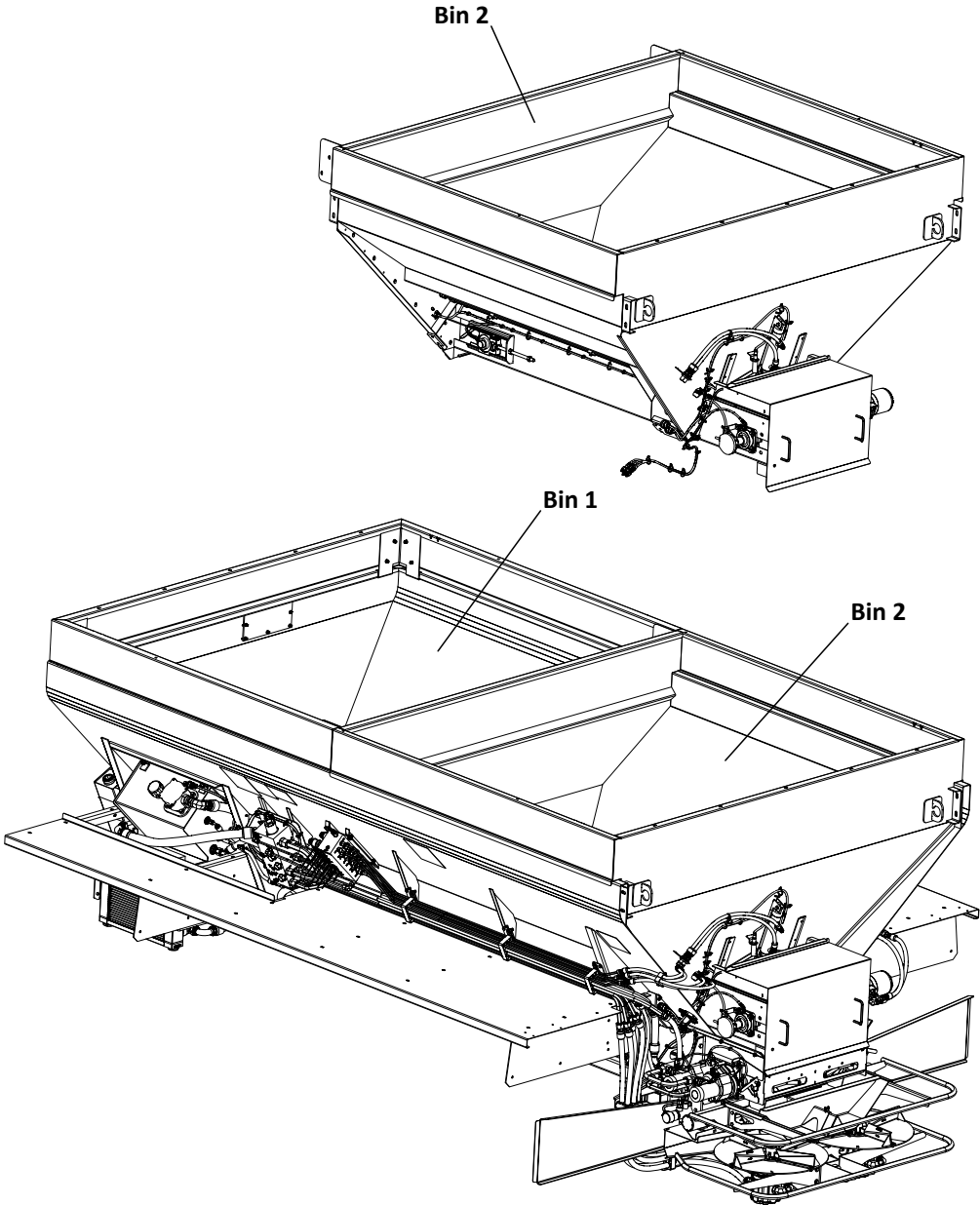
Spinner Guards: Upper and Lower guards, protects operators from spinner discs. Must be in place during any operation.

Spreader Control Valve Assembly: Contains control valves for Bin 1 conveyor, spinners and automatic conveyor tension.

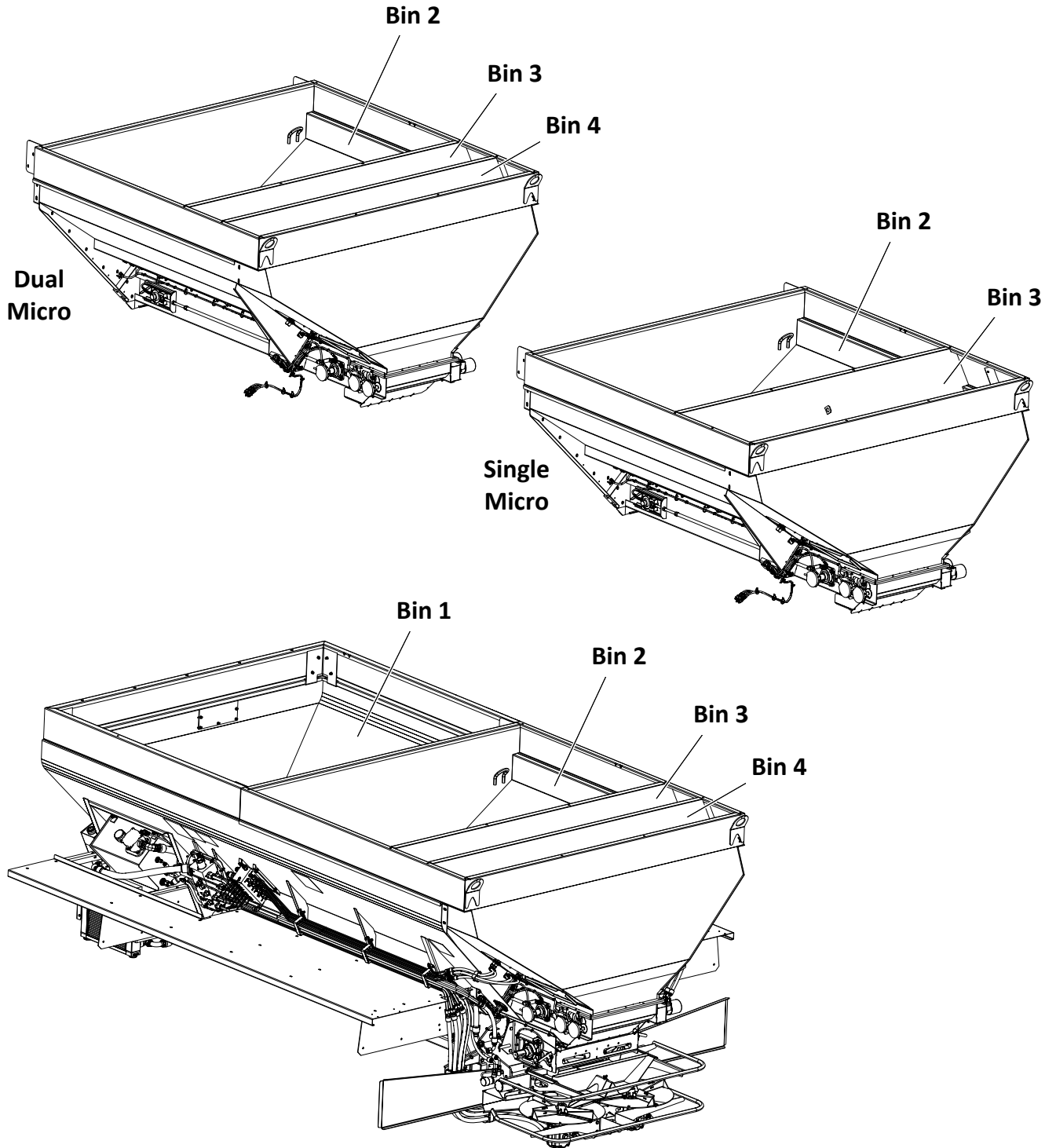
Vane Assembly: Precisely directs material from conveyor to spinner(s) as spinner assembly shifts left or right.

Introduction

MultApplier

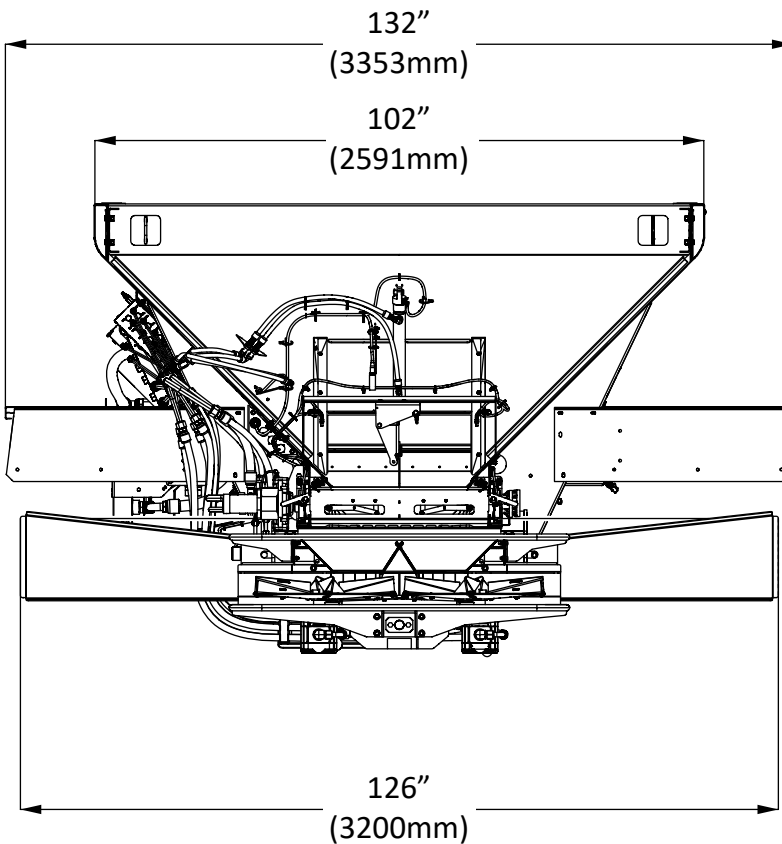
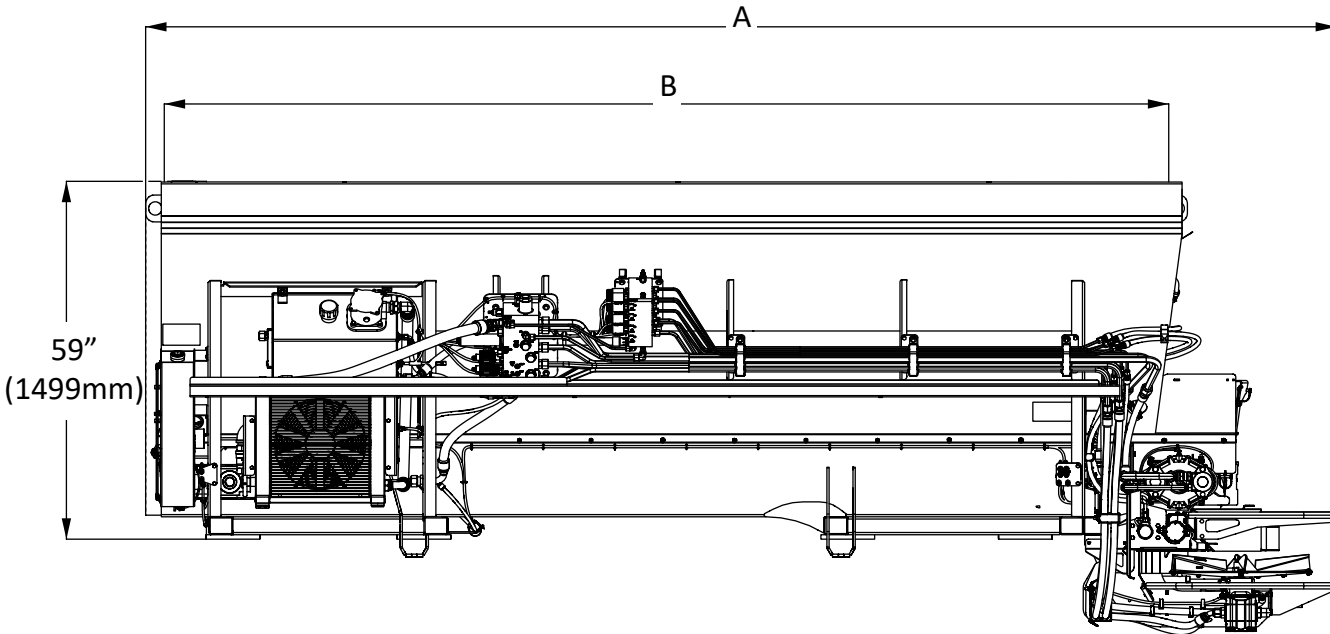


MultiBin



Dimensions & Capacities

Single Bin



Dimensions & Capacities

Single Bin

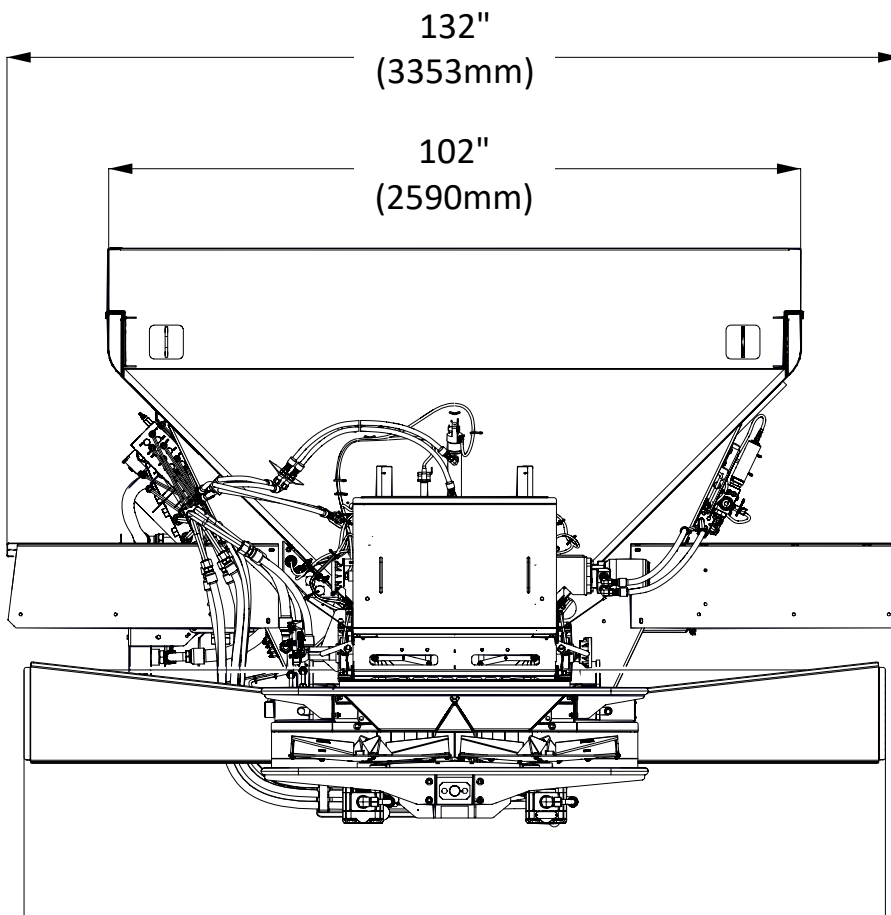
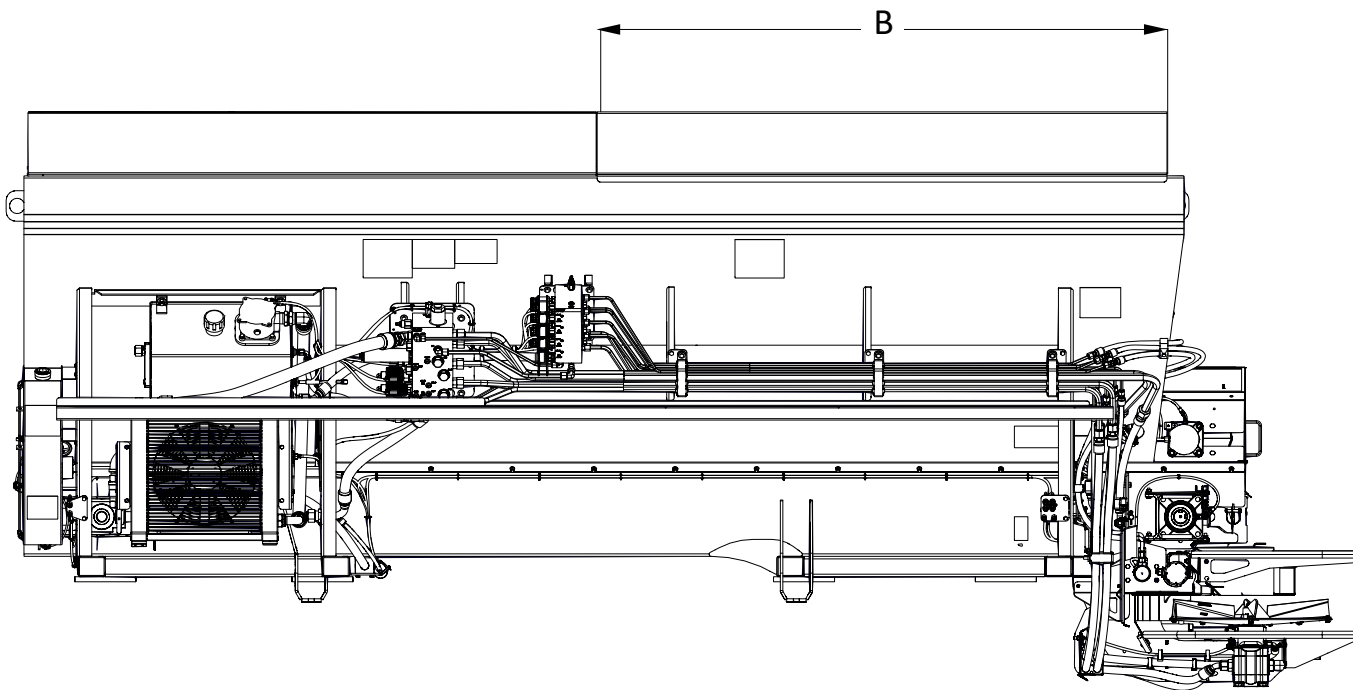
Single Bin Weights & Capacities

Unit Length	Overall Length A	Inside Length B	Approximate Weight Lbs (Kg)	Struck Capacity Cu Ft (Cu M)
14' (4.27m)	200" (5080mm)	168" (4267mm)	5100 (2313)	298 (8.44)

IMPORTANT!

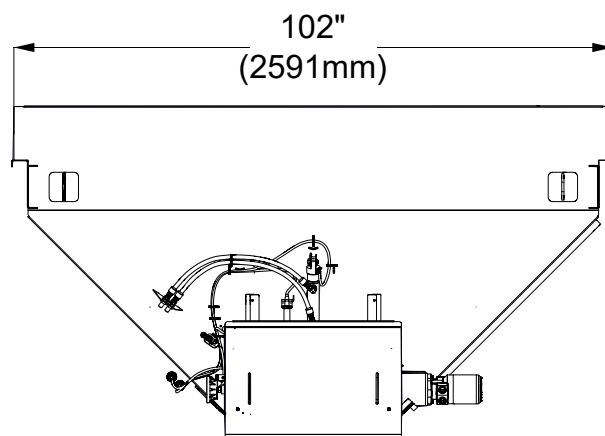
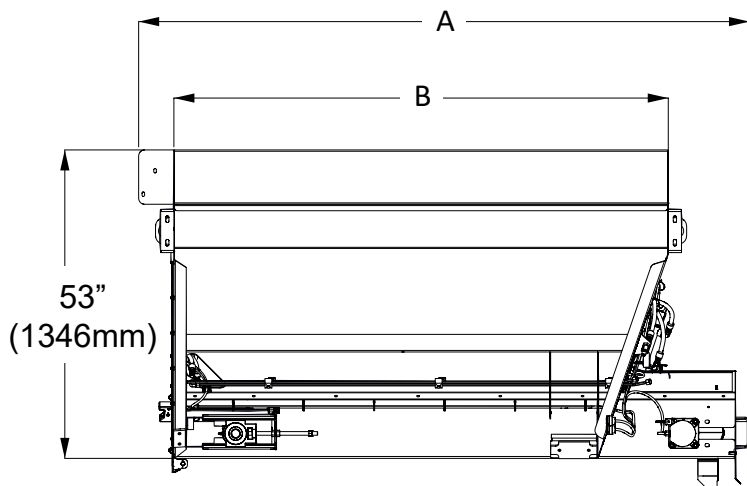
Consult federal, state, and local weight laws and chassis manufacturer's ratings to ensure neither government weight restrictions nor GVWR and GAWR's are exceeded.

Dimensions & Capacities
MultApplier Complete



Dimensions & Capacities

MultApplier Complete



Multapplier Complete Dimensions & Capacities

Unit Length	Overall Length A	Total Inside Length B
14' (4.27m)	200" (5080mm)	168" (4267mm)

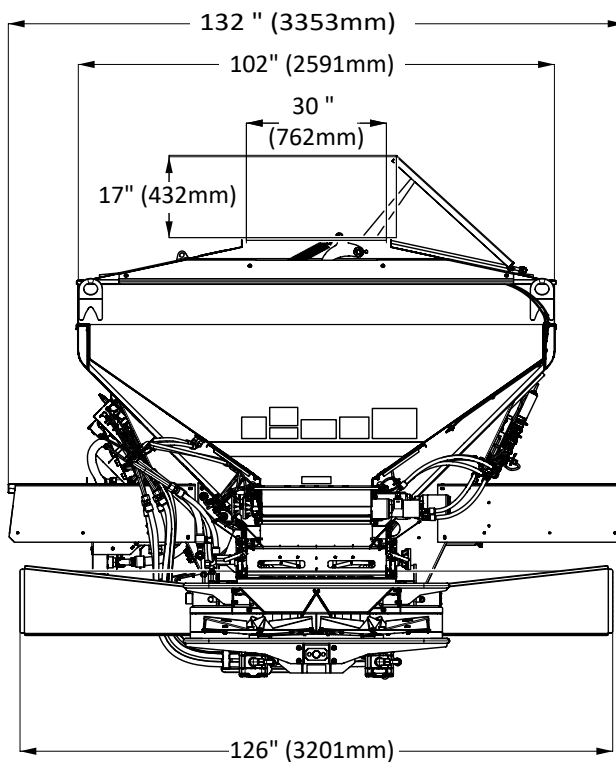
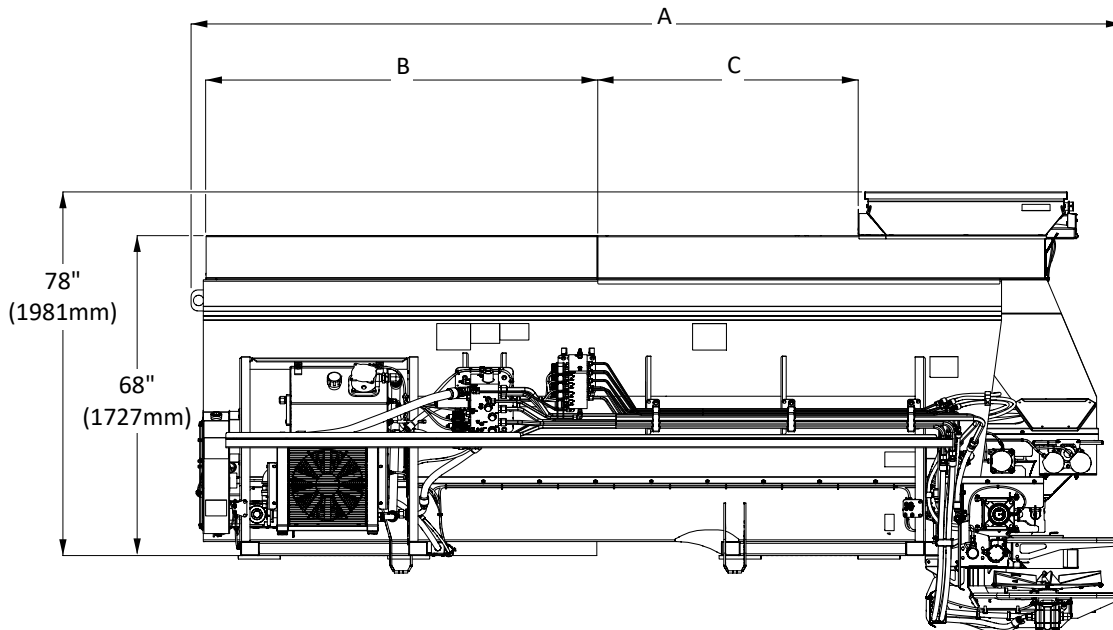
	5' (1.5m) MultApplier		7' (2.1m) MultApplier	
Unit Length	Bin 1 Struck Capacity Cu Ft (Cu M)	Approximate Weight Lbs (Kg)	Bin 1 Struck Capacity Cu Ft (Cu M)	Approximate Weight Lbs (Kg)
14' (4.27m)	253 (7.16)	6200 (2812)	195 (5.52)	6400 (2903)

Multapplier Alone Dimensions & Capacities

Insert Length	Inside Length C	Overall Length D	Bin 2 Struck Capacity Cu Ft (Cu M)	Approximate Weight lbs (kg)
5' (1.5m)	60" (1524mm)	80" (2032mm)	115 (3.25)	1200 (544)
7' (2.1m)	84" (2133mm)	104" (2642mm)	161 (4.60)	1400 (635)

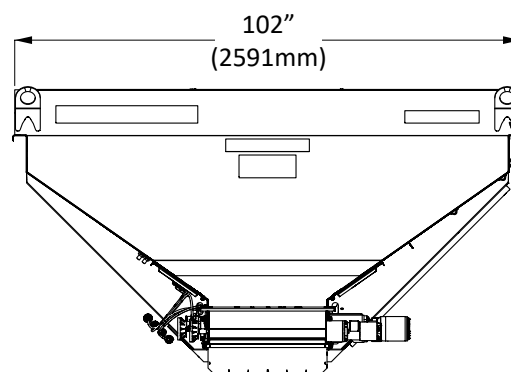
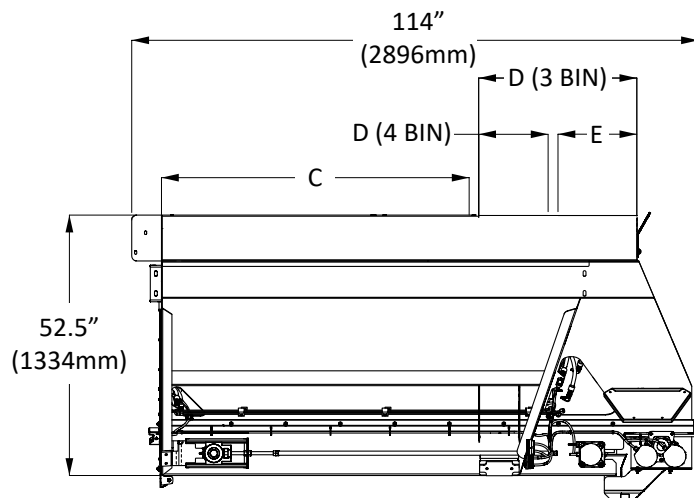
Dimensions & Capacities

MultiBin Complete



Dimensions & Capacities

MultiBin Complete



Multibin Complete Weights & Capacities

				Single Micro	Dual Micro
Unit Length	Overall Length A	BIN 1 Length B	Bin 1 Struck Capacity Cu Ft (Cu M)	Approximate Weight Lbs (Kg)	Approximate Weight Lbs (Kg)
14' (4.27m)	200" (5080mm)	148" (3759mm)	195 (5.52)	6800 (3084)	7000 (3175)

Multibin Alone Dimensions & Capacities

Insert Configuration	Bin 2 Inside Length C	Bin 2 Struck Capacity Cu Ft (Cu M)	Approximate Weight lbs (kg)
Single Micro	64" (1626mm)	139 (3.94)	1600 (726)
Dual Micro			1800 (816)

Insert Configuration	Bin 3 Inside Length D	Bin 3 Struck Capacity Cu Ft (Cu M)	Bin 4 Inside Length E	Bin 4 Struck Capacity Cu Ft (Cu M)
Single Micro	32" (813mm)	44 (1.24)	--	--
Dual Micro	16" (406mm)	23 (.65)	16" (406Mm)	21 (.59)

WARNING

Stand clear of moving machinery. Failure to comply with this requirement could result in death or serious injury.

NOTE: Do not load spreader with material.

1. Check entire unit to make sure all fasteners are in place and properly tightened per “Standard Torques” section in this manual.
2. Make sure no other persons are in vicinity of spreader.
3. Make sure no loose parts are in unit or on conveyor or spinner.
4. Check oil level in hydraulic reservoir; fill as necessary. Refer to “Lubricant & Hydraulic Oil Specifications” in Lubrication & Maintenance section of this manual for proper oil. Completely open reservoir valves.
5. Start engine and turn on hydraulics. Allow hydraulics to circulate until oil is warm.
6. Perform hydraulic bleed procedure via the display. Refer to “Hydraulic Bleeding” in Controller Operations section of this manual.
7. Perform all calibration procedures for spinners and all installed bins. Refer to “Component Calibration” in Controller Operations section.
8. Run spinner at 300 RPM. Allow to run until spinner is operating smoothly.
9. Run conveyor at 20 RPM and spinner at 300 RPM. Run until conveyor is operating smoothly.
10. Run conveyor at 20 RPM and spinner at 700 RPM. Allow both conveyor and spinner to run until operating smoothly.
11. Enable boundary left and right and verify that RPM adjust accordingly.
12. Run conveyor at 0 RPM and spinner at 0 RPM. Make sure both conveyor and spinner do not move.
13. Shut system down.

WARNING

DO NOT check leaks with hands while system is operating as high pressure oil leaks can be dangerous! If skin is pierced with hydraulic fluid at high pressure seek immediate medical attention as fluid injected into the skin could cause gangrene if left untreated. Relieve pressure before disconnecting hydraulic lines or working system. Make sure all hydraulic fluid connections are tight and all hydraulic hoses and lines are in good condition before applying pressure to the system. Wear protective gloves and safety glasses or goggles when working with hydraulic systems. Failure to comply with this requirement could result in death or serious injury.

WARNING

DO NOT check for leaks adjacent to moving parts while system is operating as there may be danger of entanglement! Failure to comply with this requirement could result in death or serious injury.

14. Check all connections in hydraulic system to make sure there are no leaks.
15. Check hydraulic oil reservoir and refill to maintain level at mid-point of gauge.

Unit is now ready for field testing.

NOTE:

It is recommended that spread pattern tests be conducted prior to each spreading season, after any spreader maintenance, before applying a new product, and periodically during the spreading season. Spread pattern tests must be performed for each product, blend and application rate. See "Spread Pattern" section of this manual for details.

1. Make sure unit has been properly serviced and is in good operating condition. It is recommended to run the spreader prior to loading material to ensure acceptable operation.
2. Set machine settings in controller per Controller Operations section in this manual.
3. Select or create material profile for material and application.
4. Adjust feedgate to appropriate setting.
5. Spread pattern test for any new material.
6. Fill unit with material to be spread.
7. Engage hydraulics.
8. Begin spreading.

CAUTION

Drive only at speeds which permit secure control of vehicle! Failure to follow this requirement may result in injury or machine damage.

NOTICE

Change hydraulic oil filter after first week (or not more than 50 hours) of operation on a unit.

This page is intentionally left blank.

MAINTENANCE

Lubrication and Maintenance**Preventative Maintenance Pays!**

The handling and spreading of commercial fertilizers is a most severe operation with respect to metal corrosion. Establish a frequent, periodic preventative maintenance program to prevent rapid deterioration to spreading equipment. Proper cleaning, lubrication and maintenance will yield longer life, more satisfactory service and more economical use of your equipment.

⚠ WARNING

Shut off all power and allow all moving parts to come to rest before performing any maintenance operation.

Hydraulic System

Proper oil in the hydraulic system is one of the most important factors for satisfactory operation. Utmost cleanliness in handling the oil cannot be stressed enough. Keep hydraulic oil in original closed containers, clean top of container before opening and pouring, and handle in extremely clean measures and funnels.

Check hydraulic oil level and filter condition regularly.

Refer to "Lubricant and Hydraulic Oil Specifications" for selection of the proper hydraulic fluid for use in the hydraulic system.

⚠ WARNING

DO NOT check leaks with hands while system is operating as high pressure oil leaks can be dangerous! If skin is pierced with hydraulic fluid at high pressure seek immediate medical attention as fluid injected into the skin could cause gangrene if left untreated. Relieve pressure before disconnecting hydraulic lines or working system. Make sure all hydraulic fluid connections are tight and all hydraulic hoses and lines are in good condition before applying pressure to the system. Wear protective gloves and safety glasses or goggles when working with hydraulic systems.

⚠ WARNING

DO NOT check for leaks adjacent to moving parts while system is operating as there may be danger of entanglement!

Periodically inspect hydraulic hoses and fittings for leaks. Repair and replace components as necessary.

Check hydraulic oil daily by means of sight gauge on hydraulic reservoir. Add oil as necessary to maintain level around mid-point of sight gauge. Periodically inspect hoses and fittings for leaks.

NOTICE

Change hydraulic oil filter after first week (or not more than 50 hours) of operation on a unit.

Controller will warn when filter is restricted. Change filter when warning sounds.

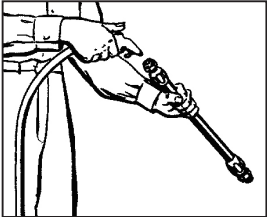
Drain hydraulic reservoir through drain plug (not through suction outlet), flush, and refill, and change filter element annually. Oil and filter should also be changed whenever oil shows any signs of breaking down under continued high-pressure operation. Discoloration of oil is one sign of breakdown.

Hydraulic Hose

Hose assemblies in operation should be inspected frequently for leakage, kinking, abrasion, corrosion or other signs of wear or damage. Worn or damaged hose assemblies should be replaced immediately.

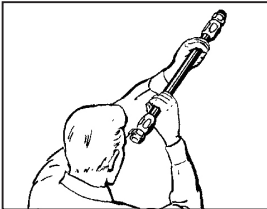
⚠ WARNING

Testing should be conducted in approved test stands with adequate guards to protect the operator.



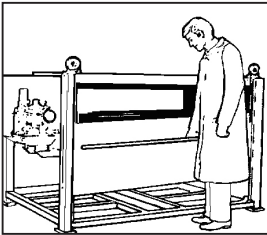
Clean

Clean assembly by blowing out with clean compressed air. Assemblies may be rinsed out with mineral spirits if the tube stock is compatible with oil, otherwise hot water at 150°F (65.55° C) maximum may be used.



Inspect

Examine hose assembly internally for cut or bulged tube, obstructions, and cleanliness. For segment style fittings, be sure that the hose butts up against the nipple shoulder; band and retaining ring are properly set and tight, and segments are properly spaced. Check for proper gap between nut and socket or hex and socket. Nuts should swivel freely. Check the layline of the hose to be sure the assembly is not twisted. Cap the ends of the hose with plastic covers to keep clean.



Test

The hose assembly should be hydrostatically tested at twice the recommended working pressure of the hose.

Test pressure should be held for not more than one minute and not less than 30 seconds. When test pressure is reached, visually inspect hose assembly for: 1. Any leaks or signs of weakness. 2. Any movement of the hose fitting in relation to the hose. Any of these defects are cause for rejection.

Storage and Handling

Hose should be stored in a dark, dry atmosphere away from electrical equipment, and the temperature should not exceed 90° F (32° C).

Conveyor Chain

⚠ WARNING

Stay out of the spreader. If it's necessary to enter the hopper, return to the shop, empty body, turn off all power, set vehicle brakes, lock engine starting switch and remove keys before entering. Tag all controls to prohibit operation. Tags should be placed, and later removed, only by person working in the body.

Hose down unit and remove any material build-up on sprockets and under chain.

NOTICE!

The conveyor will move away from the bottom panel if material accumulates under the conveyor or on the sprockets. The more material that accumulates, the closer the chain will come to the chain shields. If the conveyor should catch a chain shield, it could permanently damage the conveyor, the chain shields or the unit. Do not remove material while conveyor or spinner is running!

Lubrication

Make sure unit is clean and completely dry. With spreader empty, shut down spinners and run conveyor at 20 RPM. Lubricate conveyor chain via display through two full revolutions of conveyor. Lubricate every 10 hours of spreading, or at the end of each day's use.

Only lubricate insert bin conveyor chain strands annually with Fluid Film™ or equivalent.

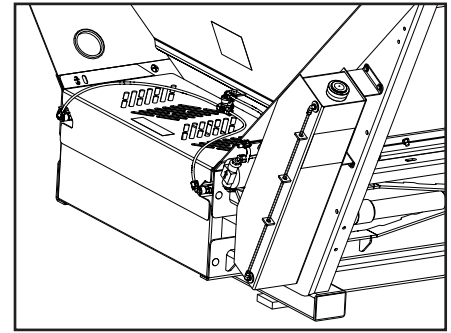


Figure 1

NOTICE

Do not allow lubricants to contact belting as they will cause the belt to deteriorate and fail prematurely.

Tension

NOTICE

Over-tensioning of conveyor chain will lead to excessive load on the system, causing excessive chain and sprocket wear and can cause extremely high starting pressures. Under-tensioning allows conveyor chain to “wrap” around drive sprockets and not exit sprocket freely, causing excessive excessive chain stretch and surging of the conveyor which will result in interrupted flow of material to the spinners.

WARNING

Keep hands, feet, hair and clothing away from moving parts while system is operating as there may be danger of entanglement!

Proper chain tension is a factor in chain and sprocket life. Measuring from rear of unit, top of chain should appear between MIN and MAX lines in sight window (Figure 2A), and conveyor should touch bottom sill flange at 36" - 40" (91 - 102cm) mark as shown in Figure 3.

If manual adjustments need to be made: With spreader unloaded, run conveyor at 15 - 20 RPM. On valve block, loosen conveyor tension valve jam nut. Turn counterclockwise to lower tension, or turn clockwise to increase tension (Figure 2B).

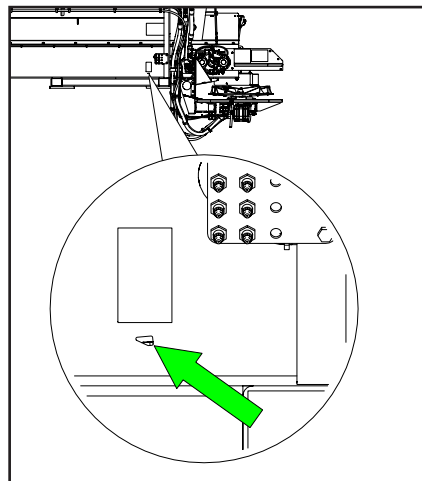


Figure 2A

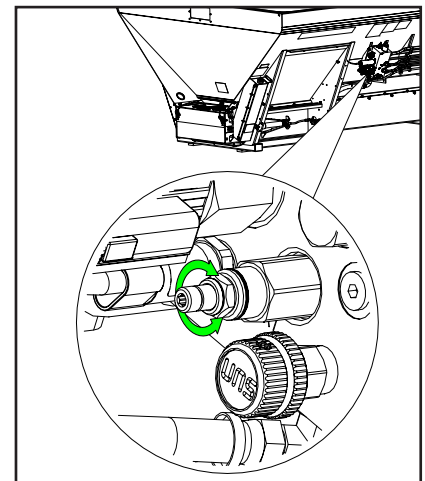


Figure 2B

Insert Bin

Using a 3/4" wrench, turn idler extenders at rear of unit to adjust tension. Turn clockwise to increase tension, and turn counterclockwise to decrease tension. Measuring from rear of insert bin's sill, conveyor chain should touch bottom sill flange at 30" - 34" (76 - 86cm) mark as shown in Figure 3. Measurements must be equal between each side.

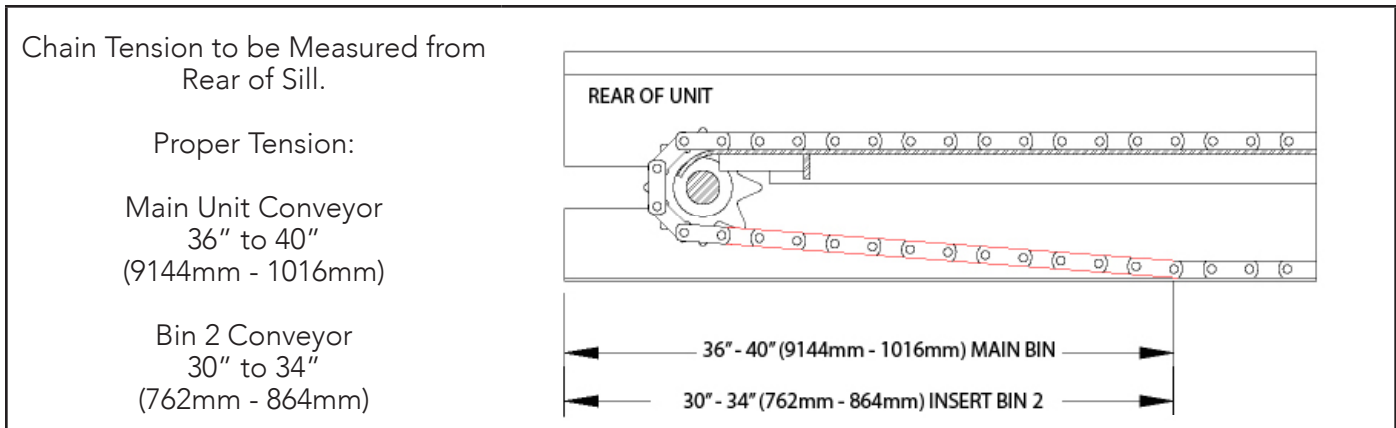


Figure 3 - Chain Tension

#4 BOC Conveyor Belt Maintenance

Standard belting for the #4 conveyor is moderately oil resistant (MOR) that is impervious to moisture, weathering, and normal action which can be used with chemical-impregnated fertilizer or oil-based additives.

- Inspect belt fastener occasionally for wear or "raveling" of belt grip area.
- Make sure belt connecting pin is positioned correctly as shown in Figure 3.

NOTICE

Pin must not rotate. If pin ends are not bent down and tight against lacing, the ends may cut into the chain shield sealers or belt wipers.

BOTH PIN ENDS MUST BE BENT DOWN & TIGHT AGAINST ENDS OF LACING

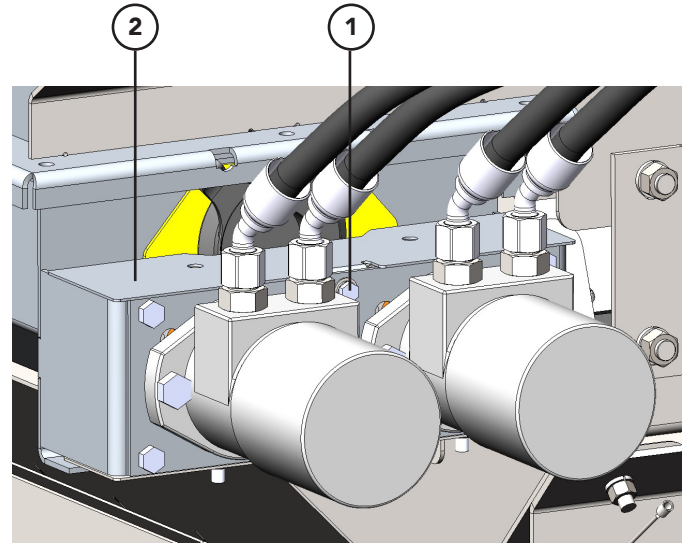
Figure 4 - Conveyor Belt Connecting Pin Installation

Replace MultiBin Metering Roller

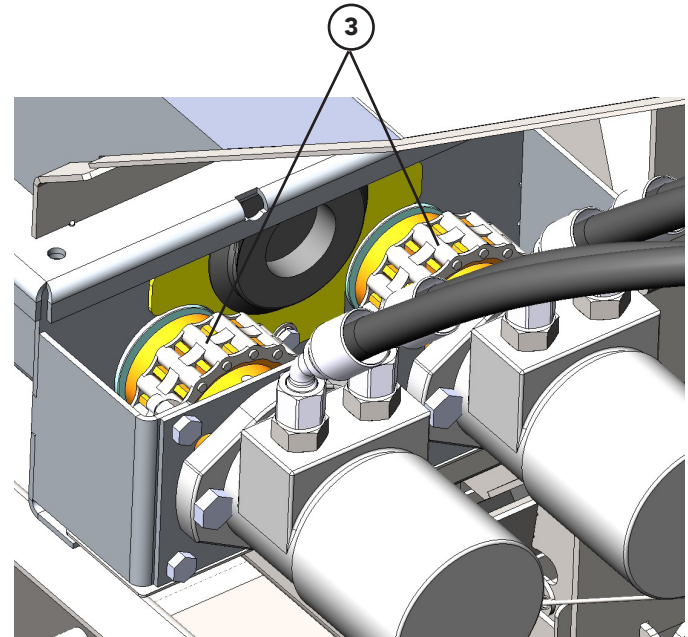
▲ WARNING

Avoid serious injury from injection of pressurized hydraulic fluid. Always relieve pressure before servicing hydraulic system. Never open hydraulic lines under pressure. Escaping fluid under pressure can penetrate the skin. Lockout/tagout all components before any maintenance or troubleshooting is attempted. Failure to comply with this requirement could result in inadvertent activation of equipment resulting in death or serious injury.

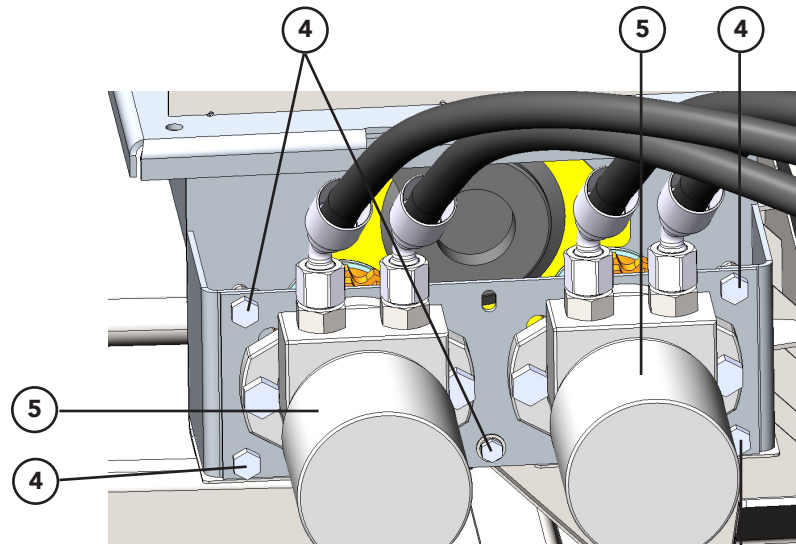
1. Remove hardware (1) and Top Plate (2).



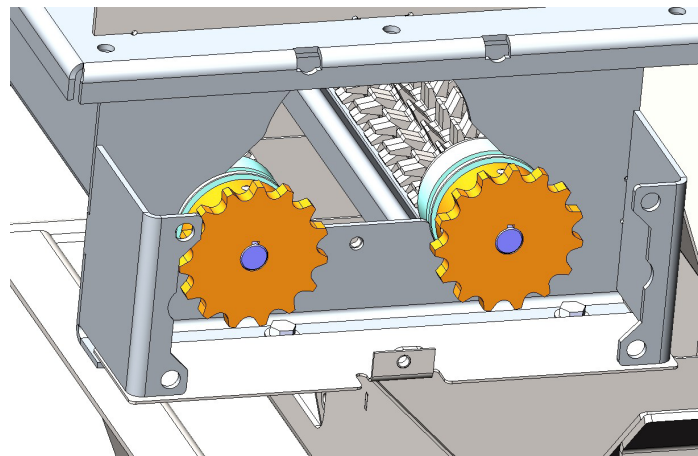
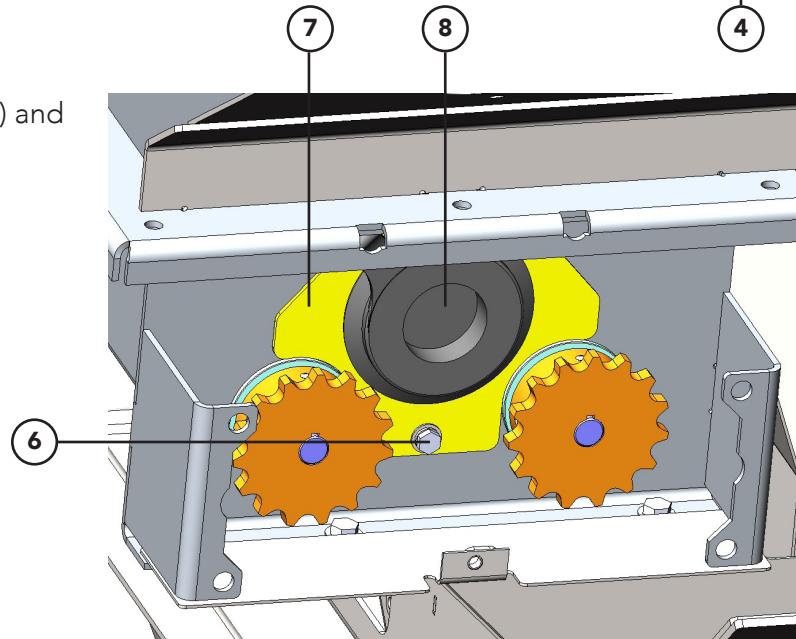
2. Brake Chains (3) and remove.



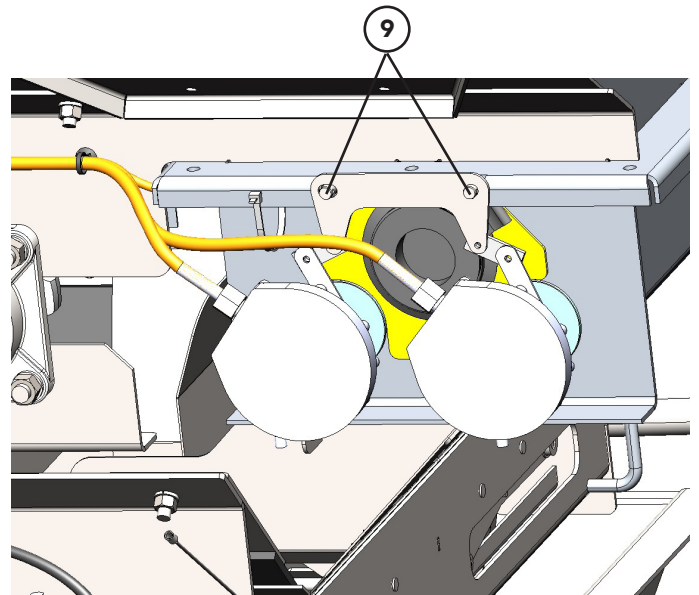
3. Remove hardware (4) and Motors (5).



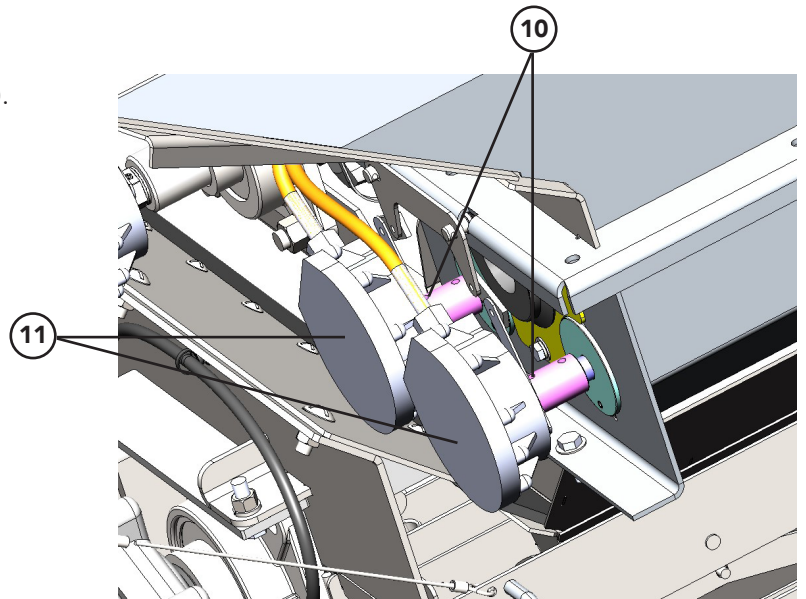
4. Remove hardware (6), Retainer Cover (7) and inspection plug (8).



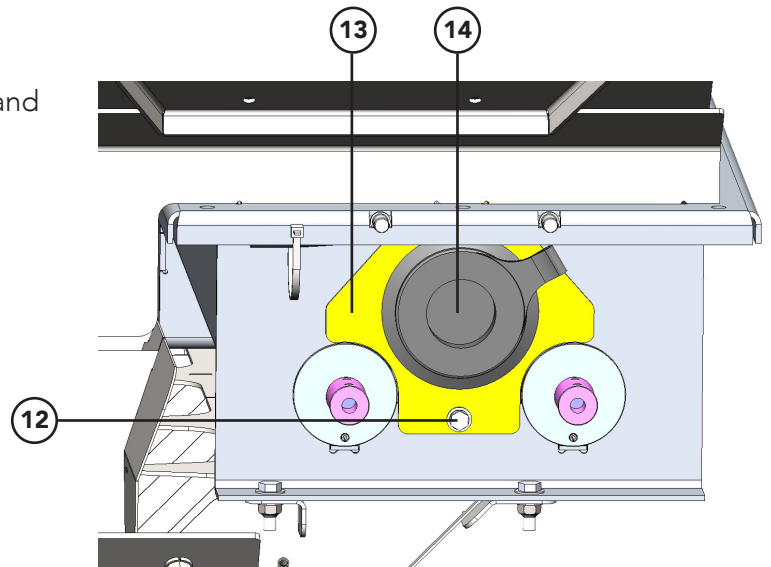
5. Remove Cotter Pins from Studs (9).



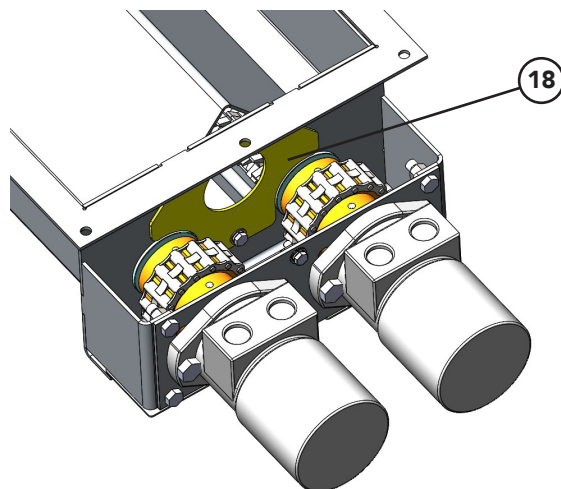
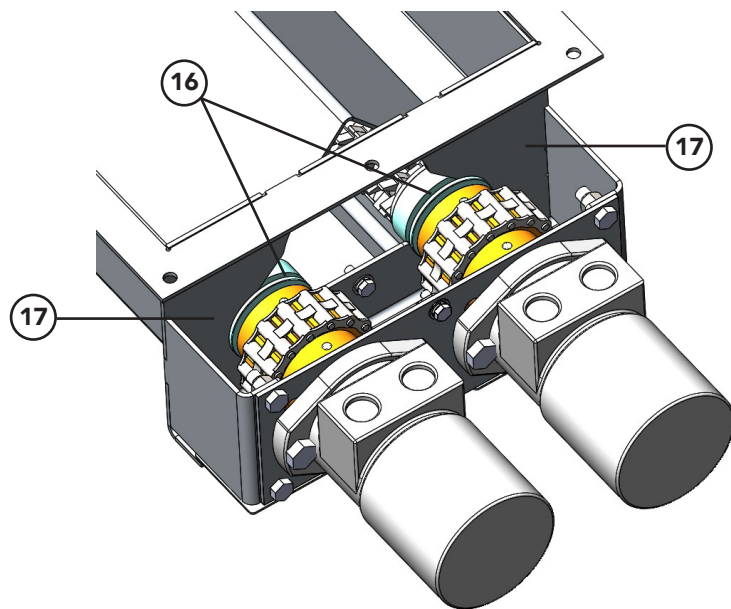
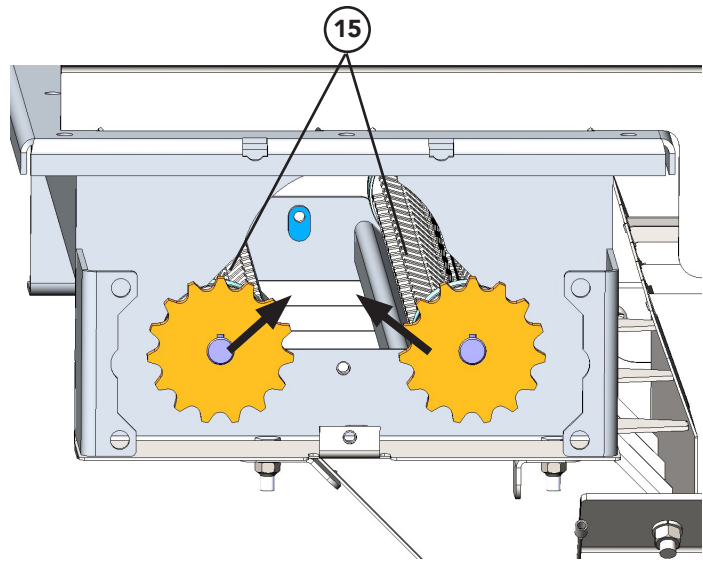
6. Remove Set Screws (10) and Encoders (11).



7. Remove hardware (12), Retainer Cover (13) and inspection plug (14).



8. Lift Roller Assemblies (15) up and inward to pull out.
9. Install parts in reverse order using the following special instructions:
 - Ensure Groove (16) is placed correctly on Plate (17).
 - Ensure Cover (18) is placed correctly in groove.
 - Ensure all hardware is torqued to proper specification.



Spinner Fins

Visually inspect spinner fins daily for build-up of material and wear. Spinner discs and fins must be kept clean and polished. Even a small build-up of material on a spinner can significantly affect the spread pattern. Rough, bent or worn fins will produce poor spread patterns. Replace worn fins and discs as needed. See Fin Kit Installation Instructions for replacement part numbers and instructions.

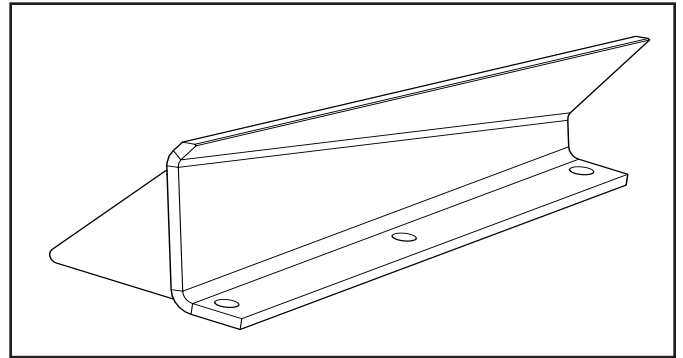


Figure 5 - Fin

Spinner Deflectors

Visually inspect spinner deflectors daily for build-up of material and damage. Clean as needed. Even a small build-up of material on a spinner deflector can affect the spread pattern. If damaged, bent or otherwise, replace. See parts manual for replacement part numbers.

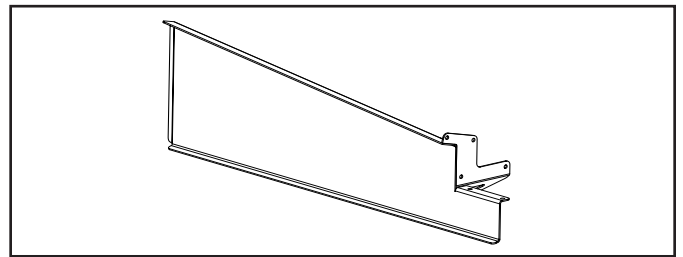


Figure 6 - Spinner Deflector

Hillside & Material Dividers

Visually inspect material divider and hillside dividers (as equipped) daily for build-up of material and wear. Any build-up of material on divider components can affect performance. Clean as needed. Replace worn or damaged parts as necessary. See parts manual for replacement part numbers.

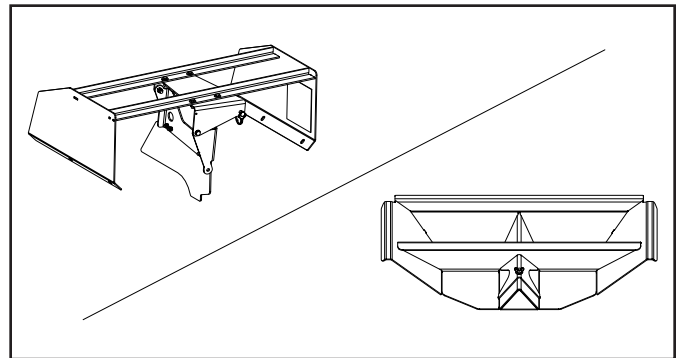


Figure 7 - Hillside & Material Dividers

Vane Assembly

Visually inspect vane assembly for buildup of material and wear. Ensure all vanes are free of buildup and swing freely. Clean vanes and remove blockages as necessary. See parts manual for replacement parts.

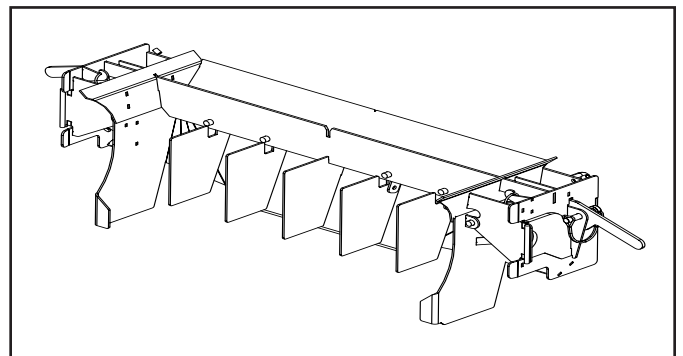


Figure 8 - Vane Assembly

Conveyor Gearcase

Drain oil in a new unit after first two weeks (or not more than 100 hours) of operation, and flush gear case thoroughly with light oil. Refer to "Lubricant and Hydraulic Oil Specifications" section for proper grade oil and recommended amounts of lubricant. After initial change, oil should be changed every 2,000 hours of operation or annually, whichever occurs first. Check gearcase oil level monthly.

Bin Sensor

WARNING

Stay out of the spreader. Do not climb on spreader. Use a portable ladder to inspect, clean and maintain the bin sensor from outside the spreader. Failure to do so could result in injury from falling.

NOTICE

Wipe sensor clean periodically to prevent accumulation of product. Avoid wet material as it may stick to sensor. If material sticks to sensor it won't warn user when bin is low.

Clean sensor with long handled brush or hose from outside of spreader. Do not aim high pressure sprayer directly at sensor—it could damage the components.

Lubrication of Bearings

Grease in a bearing acts to prevent excessive wear of parts, protects ball races, and balls from corrosion and aids in preventing excessive heat within the bearing. It is very important the grease maintain its proper consistency during operation. It must not be fluid and it must not channel.

Make sure all fittings are thoroughly cleaned before grease is injected. Points to be lubricated by means of a grease gun have standard grease fittings.

Lubricate bearings by pumping grease slowly until it forms a slight bead around the seals. This bead indicates adequate lubrication and also provides additional protection against the entrance of dirt.

Fasteners

Tighten all screws fasteners to recommended torques after first week of operation and annually thereafter. If loose fasteners are found at anytime, tighten to recommended torque. Replace any lost or damaged fasteners or other parts immediately. Check body mounting hardware every week.

Clean-Up

NOTICE

High pressure wash can inject water and/or fertilizer into control components, causing damage. Use caution when cleaning these areas.

Thoroughly wash unit every two to three days during the operating season to maintain minimal maintenance operation. Hose unit down under pressure to free all sticky and frozen material.

It is important the unit be thoroughly cleaned at the end of each operating season. All lubrication and maintenance instructions should be closely followed. Repaint worn spots to prevent formation of rust. MULTIBIN Meter Wheel(s): Pull inspection plug on right hand side of micro assembly. Blow out with compressed air.

NOTICE

The lubricant distributor and/or supplier is to be held responsible for results obtained from their products. Procure lubricants from distributors and/or suppliers of unquestionable integrity, supplying known and tested products. Do not jeopardize your equipment with inferior lubricants. No specific brands of oil are recommended. Use only products qualified under the following oil viscosity specifications and classification recommended by reputable oil companies.

Hydraulic System

Use premium quality lubricants with 100-200 SUS or 20-43 cSt viscosity at operating temperatures. The hydraulic fluid's specifications in the table below are for normal operating conditions. Extreme environments or dirty conditions may require the use of different oils. Consult your New Leader dealer or the Product Support Department at Highway Equipment Company for systems operating outside normal conditions.

Ideal Oil Operating Temperature	115-158°F (46.11-70° C)
Recommended Premium Lubricant	Multi-Purpose Agriculture Hydraulic & Transmission Oil
Lubricant Specifications Viscosity Index Viscosity at 40°C, cst Viscosity at 100°C, cst	Greater than 130 Less than 68 Greater than 9
Acceptable Fluid Example	Mobil 424

Gearcase Lubricant

Fill the gearcase with non-corrosive type extreme pressure (E.P.) gear oil conforming to MIL-L2105 B multi-purpose gear lubricating oil requirements (API Service GL 4) based on ambient temperatures listed below:

- Single Pinion: 1 Pint (.50 L)
- Dual Pinion, Planetary: 1.5 Pints (.70 L)

Ambient Temperature	Oil Type
Below 40°F (4.4°C)	SAE 80 E.P.
40° - 100° F (4.4° - 38° C)	SAE 90 E.P.
Above 100° F (38° C)	SAE 140 E.P.

Grease Gun Lubricant

Use a waterproof ball and roller bearing lithium base lubricant with a minimum melting point of 300°F (150° C). This lubricant should have a viscosity which assures easy handling in the pressure gun at prevailing atmospheric temperatures. The grease should conform to NLGI No. 2 consistency.

Conveyor Chain Oiler

Use a 75% diesel fuel and 25% SAE 10 oil mixture on the links and rollers.

⚠ WARNING

Shut off all power and allow all moving parts to come to rest before performing any maintenance operation.

The spreader should be regularly lubricated with the lubricants recommended in this manual in accordance with the following chart:

Location	Places	Method	Frequency
Hydraulic System			
Hydraulic Reservoir	1	Check Daily; Change Annually	
Filter	1	Check daily; Change when indicated	
Conveyor			
Idler Bearings (1, 2 - Front Bank)	2	Grease Gun	Weekly
Driveshaft Bearings (5, 6 - Rear Bank)	2		
Conveyor Chain Strands	1	Oil Mixture	Daily, After first 10 hours spreading
Gearcase	1	Gear Oil	Check Monthly; Change Annually
Bin 2 Insert Conveyor			
Idler Bearings (1, 3 - Rear Bank)	2	Grease Gun	Weekly
Driveshaft Bearings (2, 4 - Rear Bank)	2		
Idler Take -Up Screws	2	Hand Grease	Annually
Conveyor Chain Strands	2	Spray Lubricant	Annually

NOTE: Unusual conditions, such as excessive dust, temperature extremes or excessive moisture may require more frequent lubrication of specific parts.

*See "Lubricant and Hydraulic Oil Specifications" for types of lubricants and oil to be used.

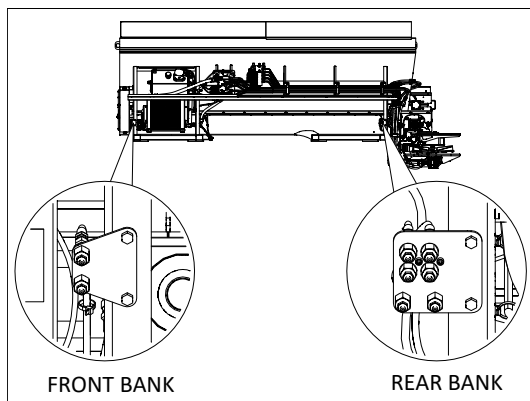


Figure 1 - Grease Banks

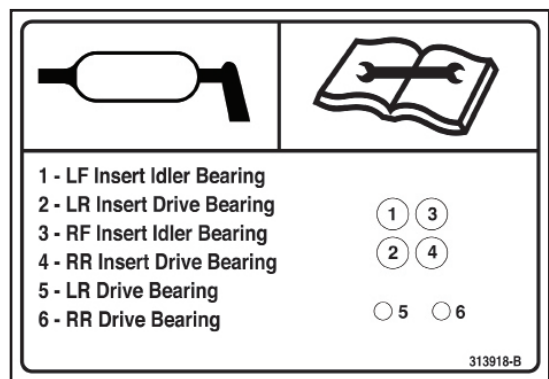


Figure 2 - Rear Grease Bank Decal

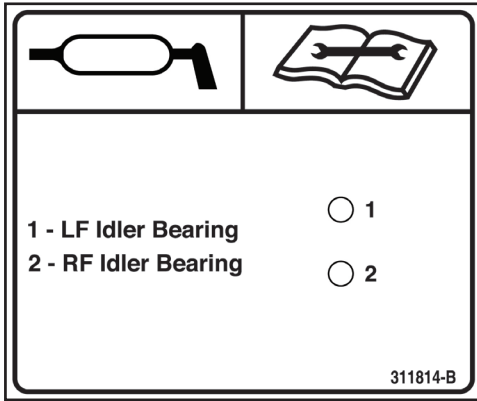


Figure 3 - Front Grease Bank Decal

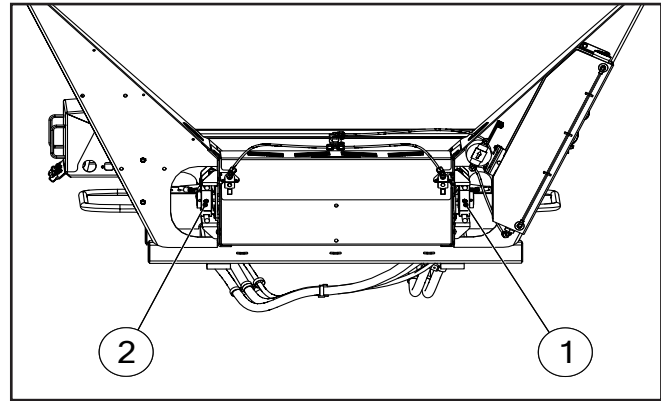


Figure 4 - Front Grease Locations

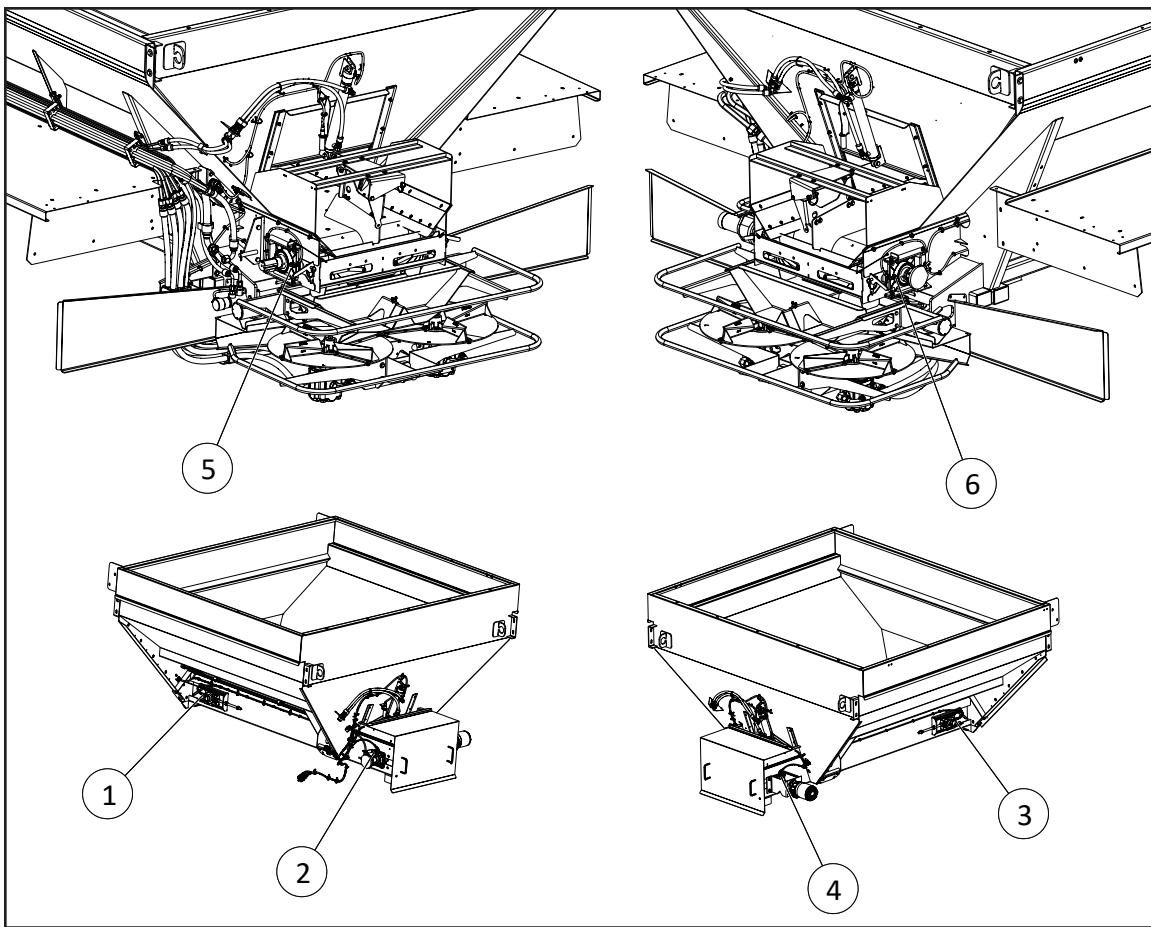


Figure 5 - Rear Grease Locations

Troubleshooting

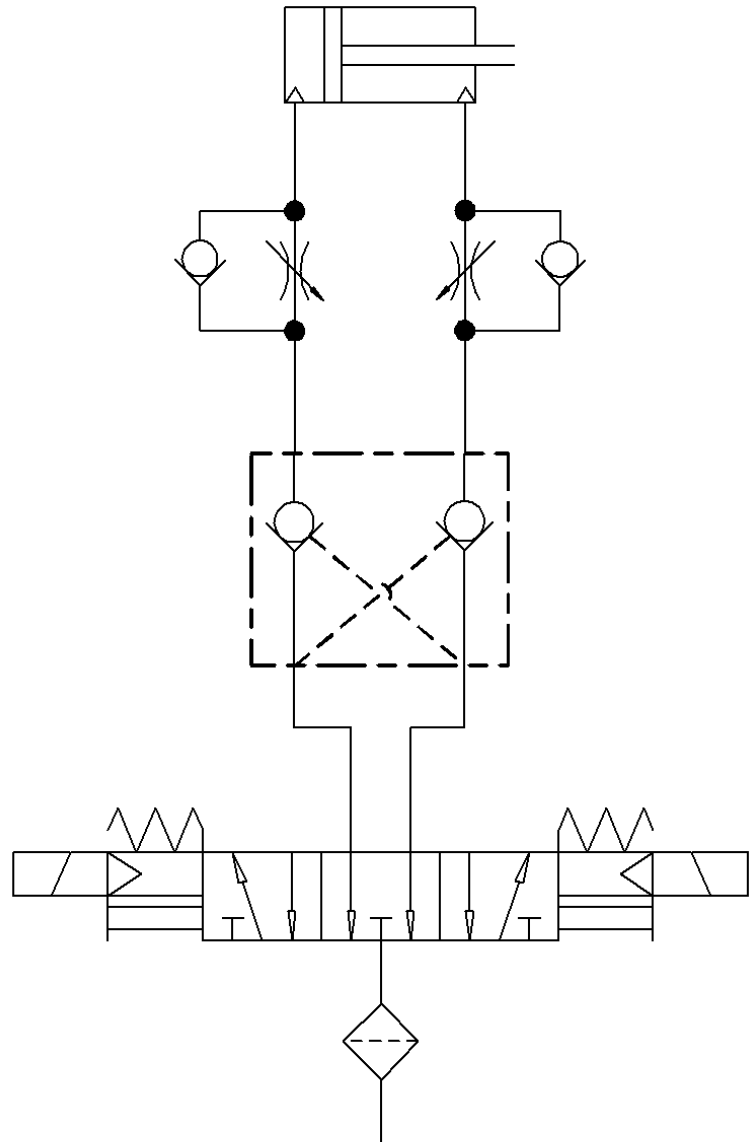
Symptom:	Reason:	Correction:
Spinner will not run	Defective Spinner Control Valve	Replace spinner control valve cartridge and coil.
	No voltage at valve	Verify spinner switch is on.
		Verify spinner enable is checked.
		Verify controller has a target spinner RPM entered.
		Verify SWATH fuse is not blown.
		Verify spinner control harness is not damaged.
		Verify system was configured as Basic independent.
	No hydraulic flow	Verify hydraulics are on.
		Pressure test pump - replace as needed.
System is going over relief - test & replace as needed.		
Spinner will not shut off	Defective spinner control valve	Replace spinner control valve cartridge.
	Control valve is manually overrode	Loosen jam nut on control valve cartridge and back set screw out until spinner stops.
Spinner runs erratic	Defective spinner control valve	Replace spinner control valve cartridge.
	Spinner speed sensor harness failure	Replace sensor harness.
	Spinner speed sensor not properly installed	Adjust sensor so that gap between sensor and fin mounting bolt is less than 1/8".
Spinner speed drops off when turning around	Improper control settings	Verify PWM control is set properly (HOLD for gear pumps, CONTROL for variable displacement).
Spinner speed does not hit target	Defective spinner control valve	Replace spinner control valve cartridge.
	Pump failure	Flow and pressure test pump.
	Spinner speed sensor not properly installed	Adjust sensor so that gap between sensor and fin mounting bolt is less than 1/8".
	Hydraulic flow dropping off	Adjust settings and speed. Pressure test relief (adjust or replace as needed).
	Spinner speed sensor harness failure	Replace sensor harness.
	Spinner speed sensor failure	Replace spinner speed sensor.

Symptom:	Reason:	Correction:
Conveyor will not run	Defective conveyor control valve	Replace conveyor valve cartridge.
	No voltage at valve	Verify bin switch and master switches on.
		Verify in controller that target rate, density, ground speed and a CFR number are all entered.
		Check WSM fuse is not blown.
		Verify conveyor control harness is not damaged.
	No hydraulic flow	Verify hydraulics are on.
		Pressure test pump - replace as needed.
		System is going over relief - test & replace as needed.
Conveyor is going over relief - test & replace as needed.		
Conveyor will not shut off	Defective conveyor cartridge	Replace conveyor control valve cartridge.
	Control valve is out of time	Adjust cartridge timing.
Conveyor runs erratic	Defective conveyor cartridge	Replace conveyor control valve cartridge.
	Encoder failure	Replace encoder.
	Encoder harness failure	Replace harness.
	Rates smoothing is disabled	Enable rate smoothing.
Bin will not hit target rate	Defective conveyor cartridge	Replace conveyor control valve cartridge.
	Pump failure	Flow and pressure test pump.
	Going over relief	Adjust setting and speed. Pressure test relief (adjust or replace as needed).
	Encoder failure	Replace encoder.
	Encoder harness failure	Replace harness.
	Feedgate not set properly for desired rate / driving speed	Adjust feedgate / driving speed for desired rate. Refer to "Feedgate Optimizer" in Controller section.

Troubleshooting

Symptom:	Reason:	Correction:
Hydraulics over-heating	Pump failure	Flow and pressure test pump.
	Too much flow	Flow test pump.
	System relief	Pressure test relief (adjust or replace as needed). Adjust settings and speed.
	Conveyor valve relief	Pressure test relief (adjust or replace as needed). Adjust settings and speed.
	Oil cooler fan failure	see cooler fan failures.
	Case drain on mono valve is plugged.	Case drain requires zero pressure line back to tank.
No warnings being displayed	Warnings are only shown when VT screen is active on monitor	Switch from viewing map to viewing VT.
Bin level sensors not working properly	Not enabled	Verify system was configured with bin level sensors installed.
	Bin level sensor failure	Replace sensor.
	Bin level sensor harness failure	Replace harness.
Not applying correct rate	Incorrect settings	Verify density, swath width, gate opening, encoder pulses, and CFR number are all adjusted as needed.
No ground speed	Manual speed is enabled, but set to 0	Enter correct speed or disable manual speed
	AUX broadcast speed is enabled but radar not installed	Disable broadcast AUX speed.
	Incorrect speed source is selected	Select correct speed source.
Conveyor tensioning incorrect	Cartridge isn't adjusted properly	Adjust valve to achieve correct tension.
	Cartridge has failed	Replace cartridge.
Feedgate not responding	Feedgate actuator sensor failure	Replace feedgate actuator.
Spinner fore / aft not responding	Feedgate harness failure	Replace feedgate harness.
Spinner left / right not responding	PID settings incorrect	Contact New Leader product support.
	Air in hydraulic system.	Perform bleed procedure. See "Controller Operations" section for details.






MultiBin Cover Air Schematic









AUXILLARY SUPPLY LINE
DRY AIR
85 PSIG

Spreader Module LED Light Alerts







Power LED

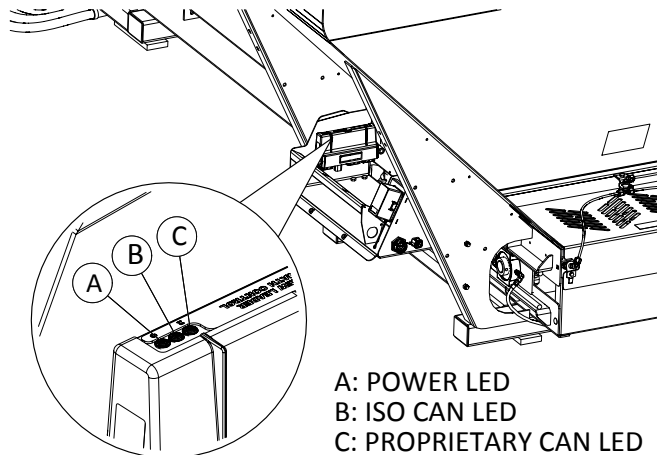
	Off	Solid Red 	Flashing Red 	Solid Amber 	Flashing Amber 	Solid Green 	Flashing Green 
Boot	No Power	N/A	No App	Running	N/A	N/A	N/A
Upgrade		N/A	N/A	N/A	Running	N/A	
Main Application		High Current Power Low	N/A	N/A	N/A	Power OK	

ISO CAN LED

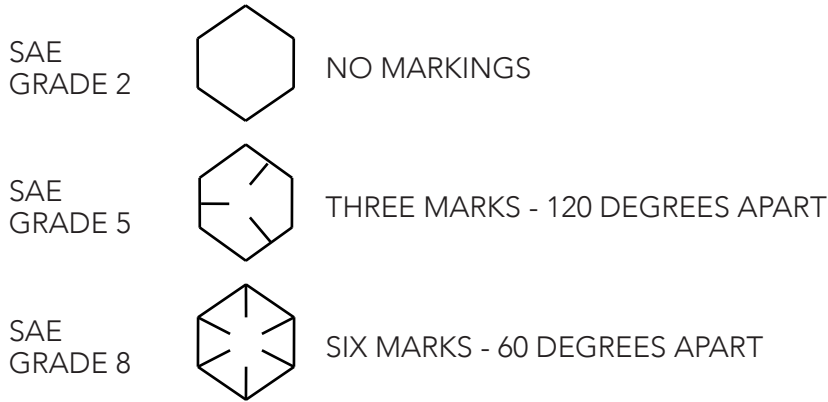
	Off	Solid Red 	Flashing Red 	Solid Amber 	Flashing Amber 	Solid Green 	Flashing Green 
Boot	X	N/A	N/A	N/A	N/A	N/A	N/A
Upgrade	Idle	Bus Off		Bus Error Passive	Bus Error Active		TX / RX
Main Application				TX / RX			

Proprietary CAN LED

	Off	Solid Red 	Flashing Red 	Solid Amber 	Flashing Amber 	Solid Green 	Flashing Green 
Boot	X	N/A	N/A	N/A	N/A	N/A	N/A
Upgrade	X	N/A		N/A	N/A		N/A
Main Application	Idle	Bus Off		Bus Error Passive	Bus Error Active		TX / RX



CAP SCREW GRADE IDENTIFICATION - MARKINGS ON HEAD



USE GRADE 2 TORQUES FOR STAINLESS STEEL FASTENERS AND CARRIAGE BOLTS.

CAP SCREW SIZE	TORQUE - FOOT-POUNDS					
	GRADE 2		GRADE 5		GRADE 8	
	DRY	LUBE	DRY	LUBE	DRY	LUBE
1/4"	5	4	8	6	12	9
5/16"	11	8	17	13	25	18
3/8"	20	15	30	23	45	35
7/16"	30	24	50	35	70	55
1/2"	50	35	75	55	110	80
9/16"	65	50	110	80	150	110
5/8"	90	70	150	110	220	170
3/4"	100	120	260	200	380	280
7/8"	140	110	400	300	600	460
1"	220	160	580	440	900	650

Pre- and Post-Season Checklist

IMPORTANT!

Do not operate or work on machine without reading and understanding the operator's manual.

Before starting engine/before starting machine operation

- Program rate controller and document settings
- All stop, tail, and turn lights function properly
- Tire pressures are equal on each side of chassis
- Battery condition and connection
- Electrical connections are tight and secure
- All fasteners are secure
- Inverted V is secure and installed properly
- Sensor(s) are functioning properly
- Lubricate all grease fittings
- Hydraulic oil level and line connections are tight
- Hydraulic filters are current and gauge is functional
- Chain oiler tank is full and operates correctly
- Hydraulic hoses are secured properly
- Gearcase oil level is correct
- All guards and shields in place
- Spinner assy moves through full range of operation
- Spinner discs and fins installed properly
- Spinner discs and fins are in acceptable condition
- Material Divider assembly is square and secure
- Material Divider is clean of build-up
- Feedgate assembly is level and clean of build-up
- Encoder installed and secured
- Spinner sensor adjusted to proper gap

Start engine/Start and run to operational temperatures

- Hydraulic fittings are tight and no leaks *
- All pressure transducers are operating correctly
- Check operation of all alarms
- Hydraulic flow test: ___GPM @ operating engine RPM
- Check main relief valve setting : ___ PSI
- Conveyor control valve is operating correctly
- Calibrate radar/ground speed input
- Test maximum conveyor RPM's
- Test right and left hand spinner speed; ensure difference is less than 5 RPM (when at operating RPM)

Stop operation/Turn off engine and engage parking brake

- Visually check for leaks
- Check belt/chain tension and alignment
- All oil levels full

Perform Calibrations

- Product density testing, crush strength, and SGN scale (See Spread Pattern Calibration section for instructions).
- Catch tests of all products and at least 1 blend for conveyor calibration and document settings and product characteristics
- Spread pattern tests of all products and at least 1 blend and document settings and product characteristics

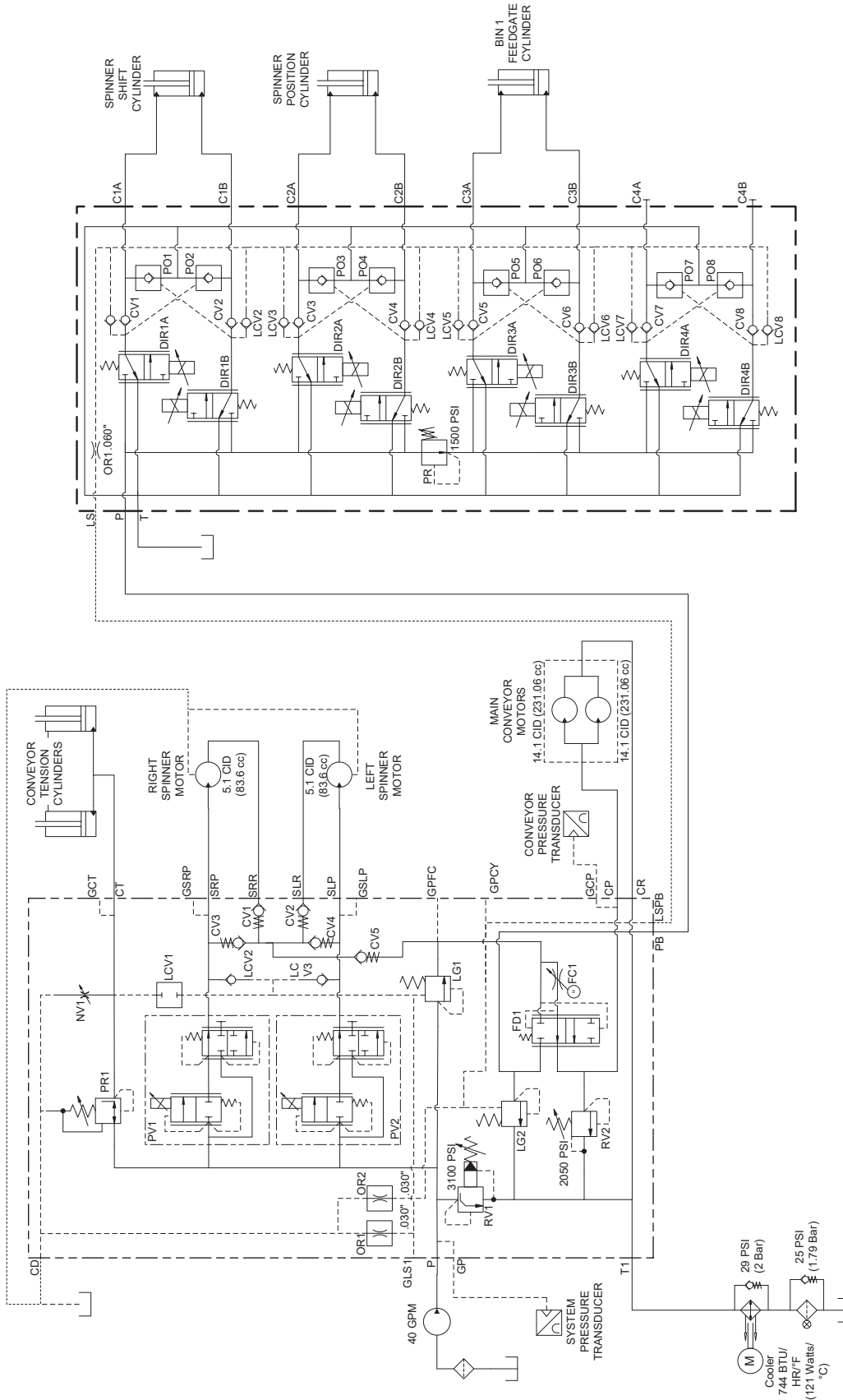
End of Season

- Empty unit of all material
- Sand and touch-up paint as necessary
- Wash chain conveyor, lube thoroughly when dry
- Check spinner discs and fins for wear
- Clean unit inside and out
- Check for leaks
- Lubricate all grease fittings
- Ensure all fasteners are secure

HYDRAULICS

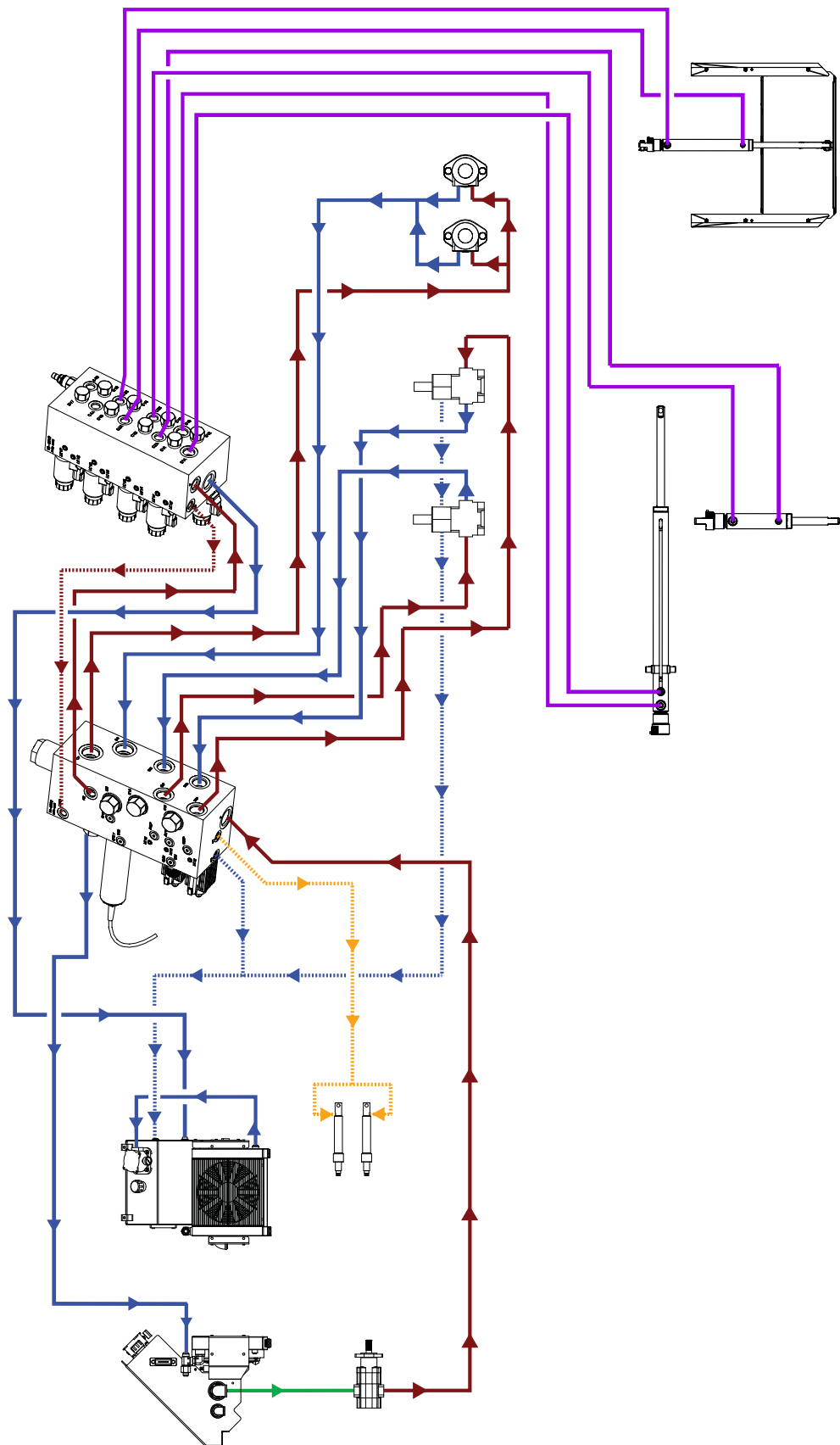
Hydraulic Schematic

Single Bin



Flow Diagram

Single Bin

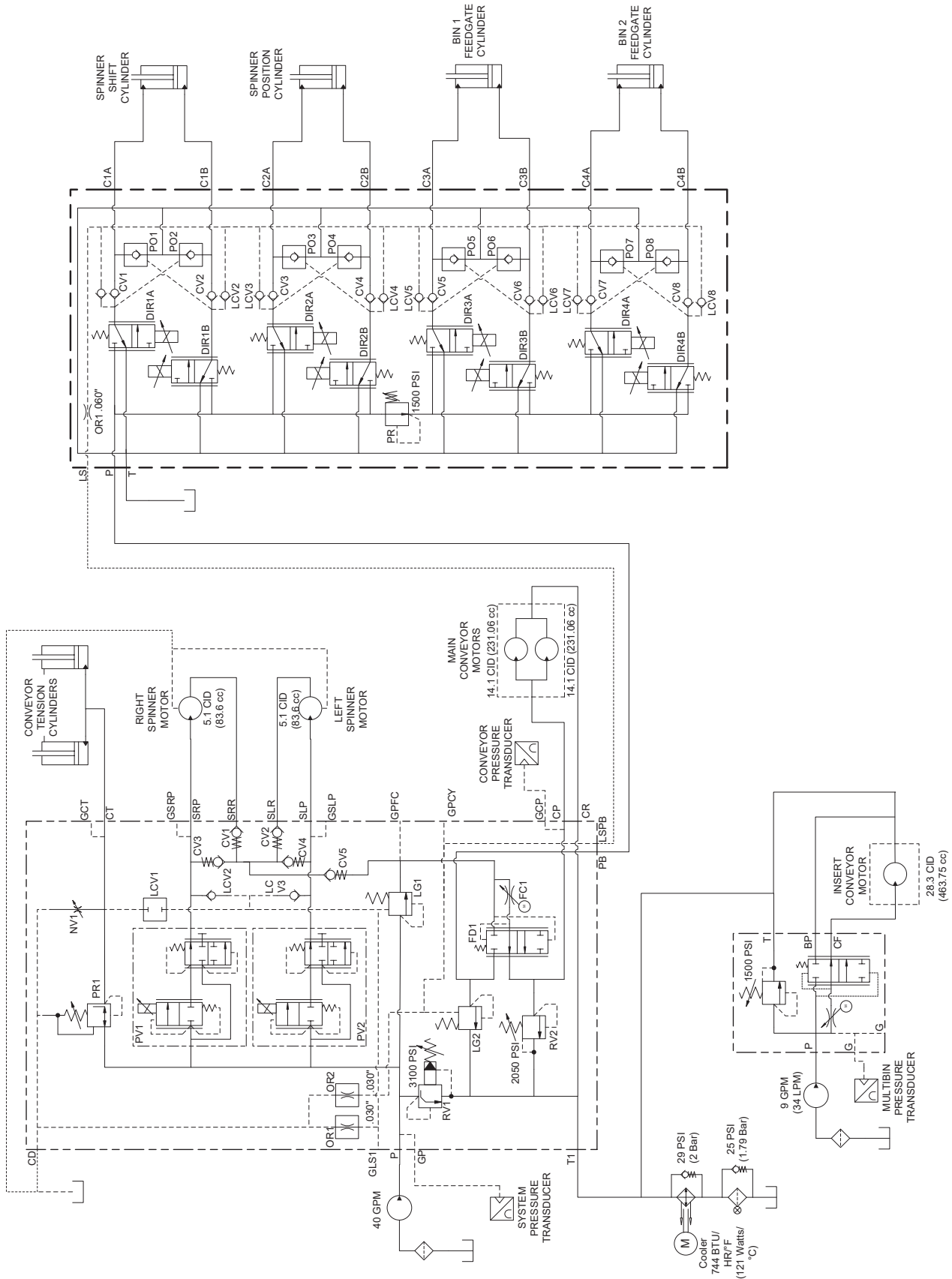


LEGEND

Red line	CONTROL FLOW	(HIGH PRESSURE)
Blue line	EXCESS FLOW	(HIGH PRESSURE)
Blue line	RETURN FLOW	(LOW PRESSURE)
Blue line	CASE DRAIN	(LOW PRESSURE)
Green line	SUCTION FLOW	(LOW PRESSURE)
Orange line	PRESSURE ONLY	(HIGH PRESSURE)
Purple line	BIDIRECTIONAL FLOW	(HIGH PRESSURE)
Dotted red line	LOAD SENSE	(HIGH PRESSURE)

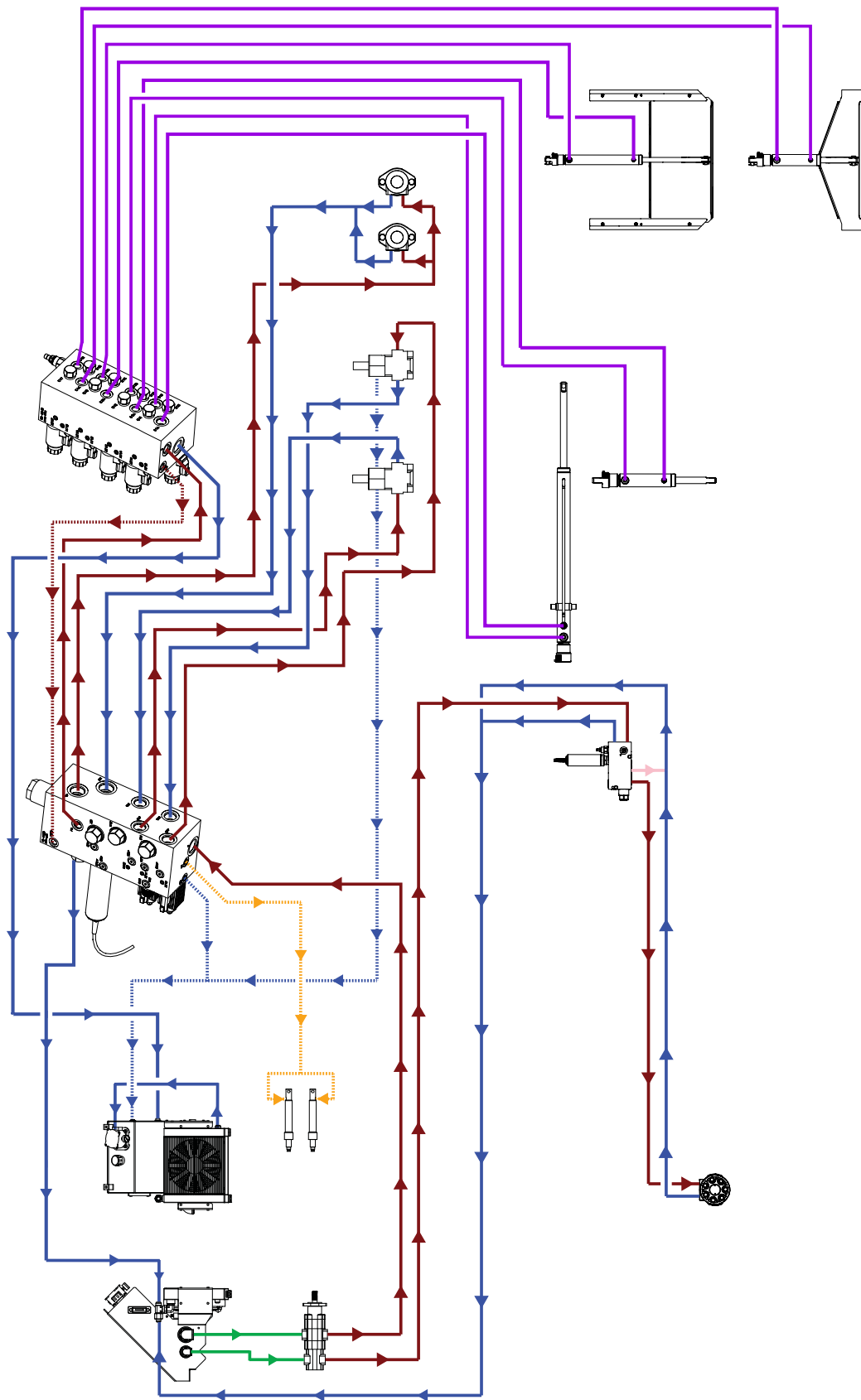
Hydraulic Schematic

MultApplier Only



Flow Diagram

MultApplier Complete

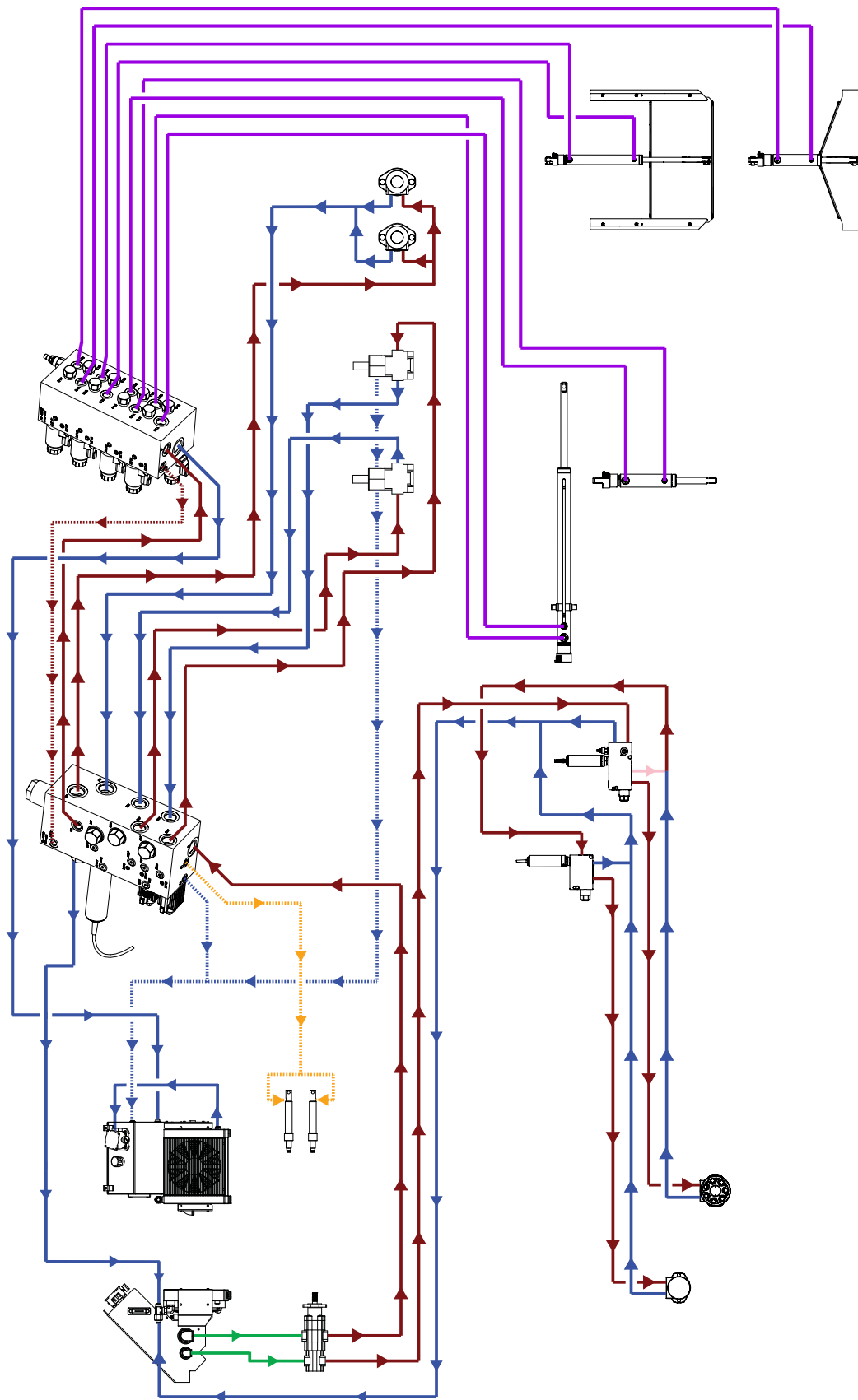


LEGEND

— (Red)	CONTROL FLOW	— (Purple)	BI-DIRECTIONAL FLOW
— (Blue)	RETURN FLOW	— (Green)	LOAD SENSE
— (Purple)	EXCESS FLOW	— (Orange)	— (High Pressure)
— (Blue)	CASE DRAIN	— (High Pressure)	— (High Pressure)
— (Green)	SUCTION FLOW	— (High Pressure)	— (High Pressure)
— (Orange)	PRESSURE ONLY	— (High Pressure)	— (High Pressure)
— (Brown)	— (High Pressure)	— (High Pressure)	— (High Pressure)

Flow Diagram

MultiBin Single Micro

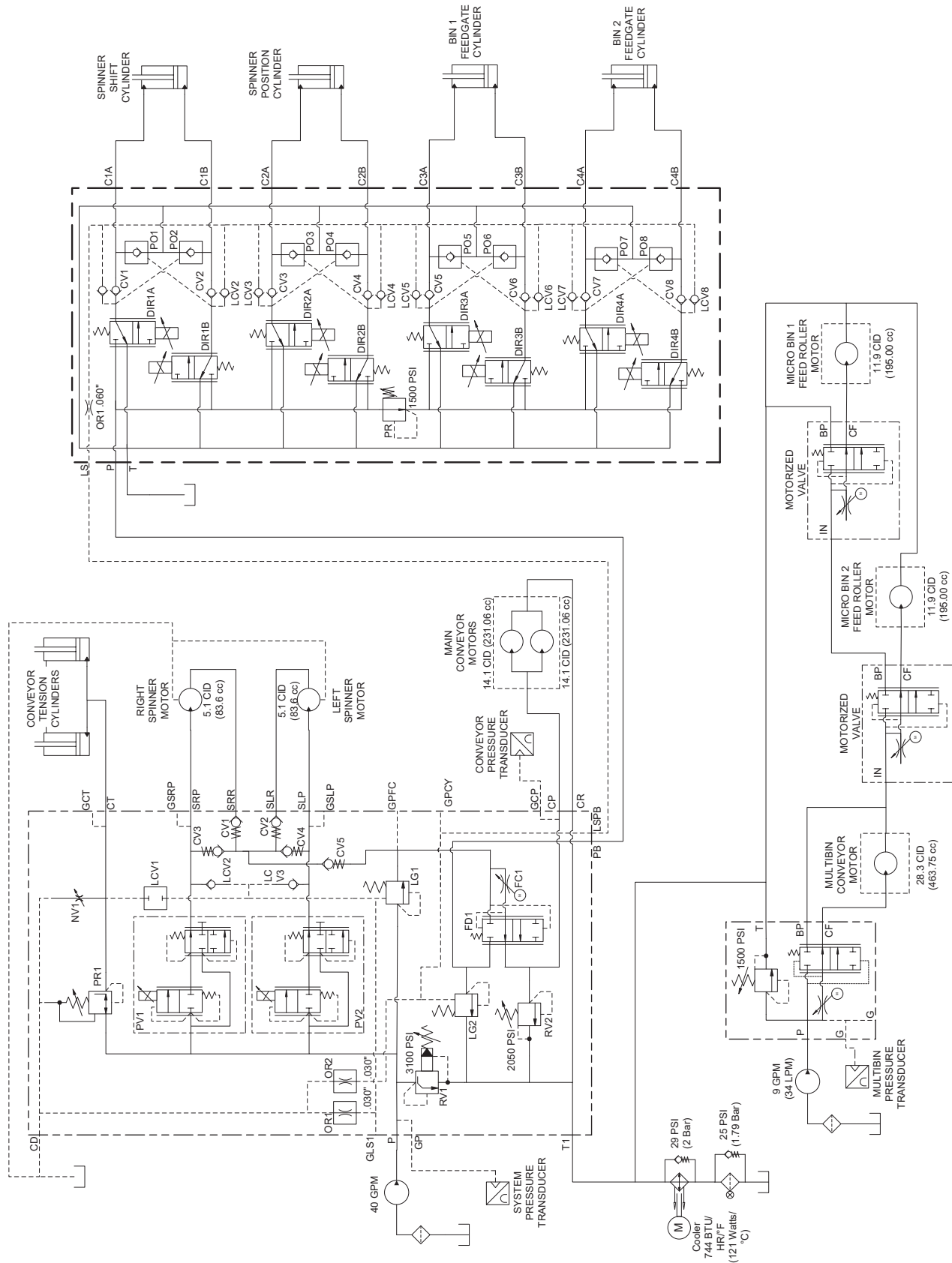


LEGEND

Red solid line	CONTROL FLOW	(HIGH PRESSURE)
Blue solid line	RETURN FLOW	(HIGH PRESSURE)
Purple solid line	CASE DRAIN	(LOW PRESSURE)
Green solid line	SUCTION FLOW	(LOW PRESSURE)
Orange solid line	PRESSURE ONLY	(LOW PRESSURE)
Brown solid line	BI-DIRECTIONAL FLOW	(HIGH PRESSURE)
Brown dotted line	LOAD SENSE	(HIGH PRESSURE)

Hydraulic Schematic

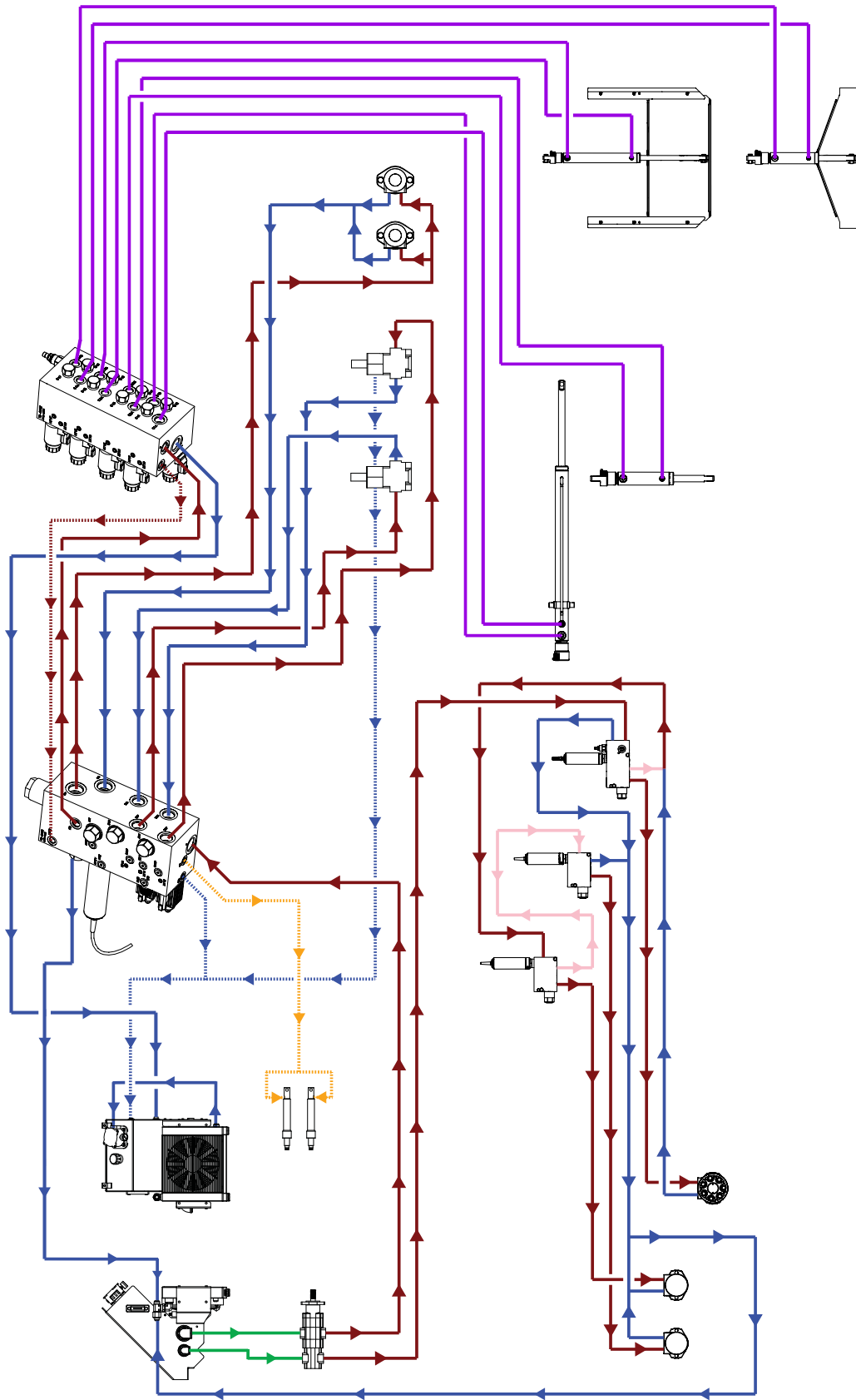
MultiBin Dual Micro



Flow Diagram

NL5000G5

MultiBin Dual Micro



LEGEND	
— (Red)	CONTROL FLOW
— (Blue)	EXCESS FLOW
— (Purple)	RETURN FLOW
— (Green)	CASE DRAIN
— (Yellow)	SUCTION FLOW
— (Orange)	PRESSURE ONLY
— (Dotted)	BI-DIRECTIONAL FLOW
— (Dotted)	LOAD SENSE
— (Red)	(HIGH PRESSURE)
— (Blue)	(HIGH PRESSURE)
— (Purple)	(LOW PRESSURE)
— (Green)	(LOW PRESSURE)
— (Yellow)	(LOW PRESSURE)
— (Orange)	(HIGH PRESSURE)
— (Dotted)	(HIGH PRESSURE)

This page is intentionally left blank.

CONTROLLER

Introduction

ISOBUS is a protocol standardizing communication between chassis, displays, farm management software, and implements. Adhering to ISO 11783 standards, ISOBUS allows chassis and implements of different colors to share information through a common display. The use of ISOBUS technology allows the end user to minimize the number of necessary monitors in the cab of the chassis, while still enabling full functionality of the implements. The data displays the same way on any monitor.

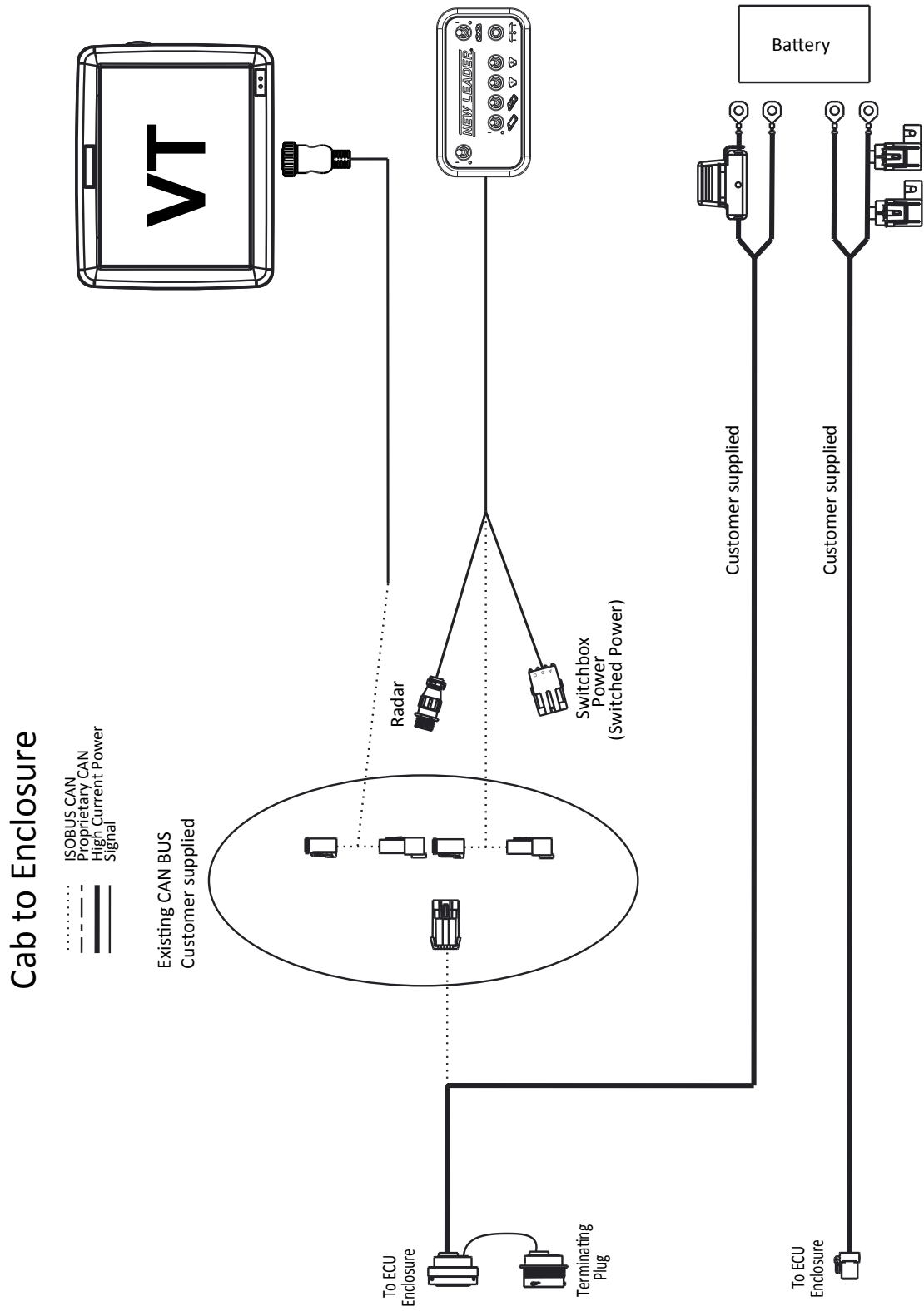
How the ISOBUS Works

The BUS is a distinct set of conductors designed to carry data and control signals within a system of parallel connected equipment. Information from the equipment modules is transmitted through the BUS to a Virtual Terminal (VT) in the cab. The Virtual Terminal (VT) uploads a User Interface (UI) which feeds into any Display Monitor. From one Display Monitor, the user can read information and make control changes to the implement(s). Since everything is virtual, multiple implements can be controlled with one monitor by switching back and forth between different VT's.

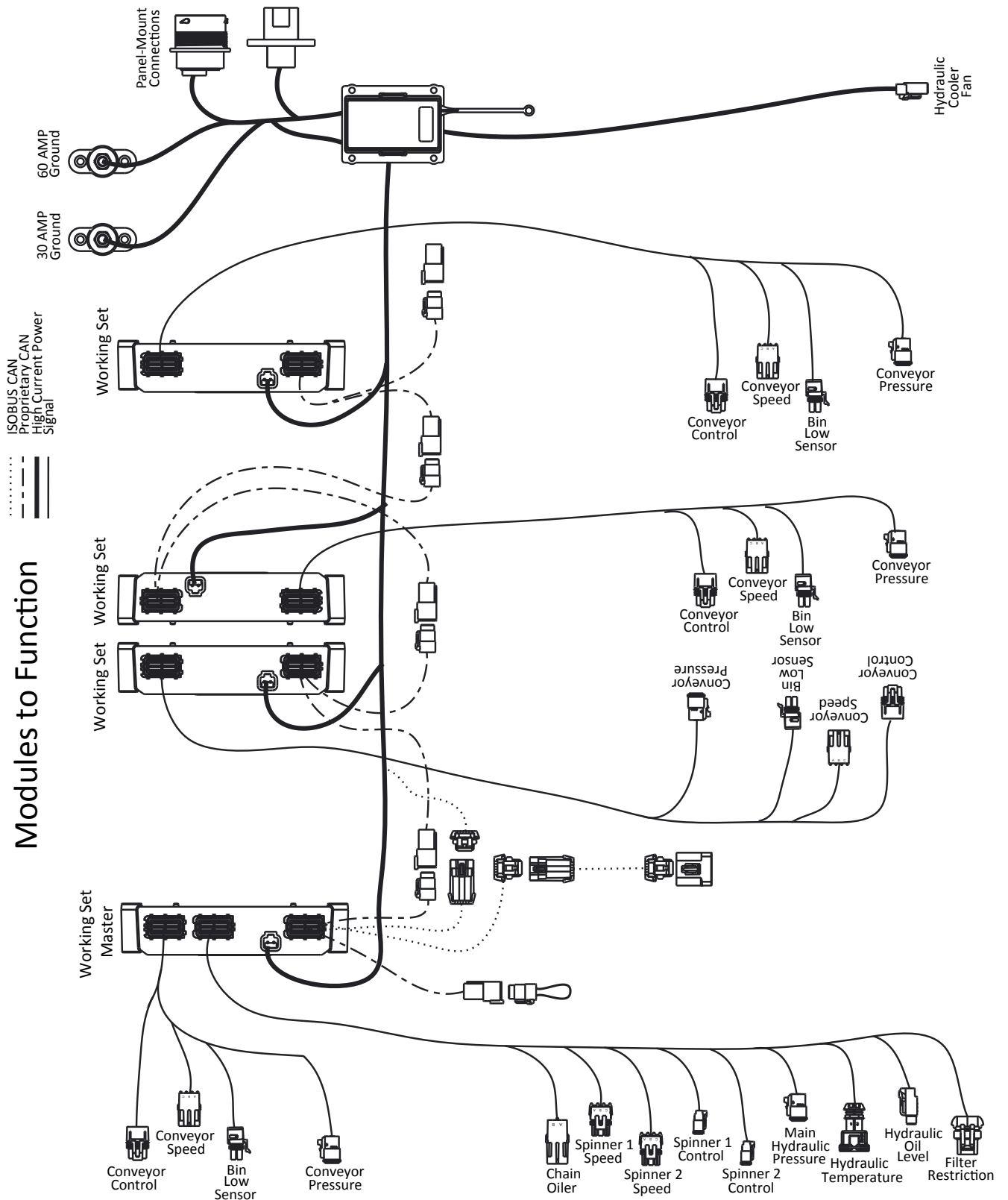
Terminologies

- ISOBUS - An electronic communications network used on agricultural and forestry equipment that adheres to the ISO 11783 standards.
- VT (Virtual Terminal) - The electronic interface that resides within the system, rather than on the Display Monitor. By being virtual, the information will display consistently the same on any monitor being used.
- UI (User Interface) - The displayed information and controls the user interacts with on the Display Monitor to make any necessary changes to implement performance.
- ECU (Electronic Control Unit) - New Leader module that controls specific functions of the implement and is attached to the BUS.
- Task Controller - A crucial software component that resides within the Virtual Terminal and is required to provide support for Data Logging, Variable rate application via prescription maps, and on/off implement section control via AutoSwath.
- CANBUS - A CAN (Controller Area Network) BUS system is a vehicle bus standard that allows microcontrollers and devices to communicate with each other within a vehicle without a host computer.
- Display Monitor - The physical monitor used in the cab that communicates with the VT to run the implement(s) and display data from the operations.

Cab to Enclosure Diagram



Modules to Function Diagram



Requirements

System Requirements:

- Virtual Terminal version 3 that supports AUX-N functionality
- Task Control (Multi-product up to 4 bins)
 - TC-BAS
 - TC-GEO
 - TC-SC

Function:

- VT will load New Leader UI and assign functions to in-cab switches.
 - Ability to track totals.
 - Ability to log as-applied maps and load prescription maps.
 - Ability to activate section control or AutoSwath.

Navigation

To activate the New Leader Controller Interface, power up the monitor and activate the VT settings. For instructions on how to activate the VT, see the Manufacturer's Operations Manual for the specific monitor being used.

Activation of VT will bring up the New Leader Home Screen, also called the "Run Screen", as shown in Figure 1.

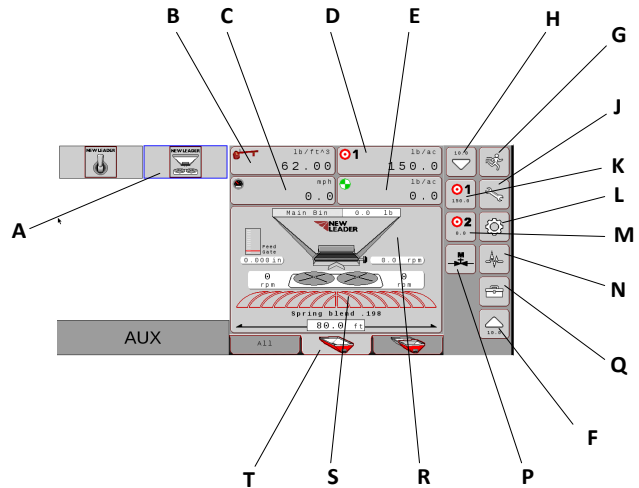


Figure 1 - Home Screen



















A		Spreader Operations	K		Target Rate 1
B		Density	L		Calibration
C		Speed Source	M		Target Rate 2
D		Target Rate	N		Diagnostics
E		Actual Rate	P		Manual Conveyor Mode
F		Increase Rate Value	Q		Tools
G		Run Screen	R		Bin/Gate settings
H		Decrease Rate Value	S		Spinner Settings
J		Settings	T		Bin Selection

Figure 2 - New Leader Home Screen

An on-screen Numeric Keypad is made available for changing configuration settings and calibration numbers. Press the keypad button to access the on-screen numeric entry screen. Keypads may look different depending on VT being used.

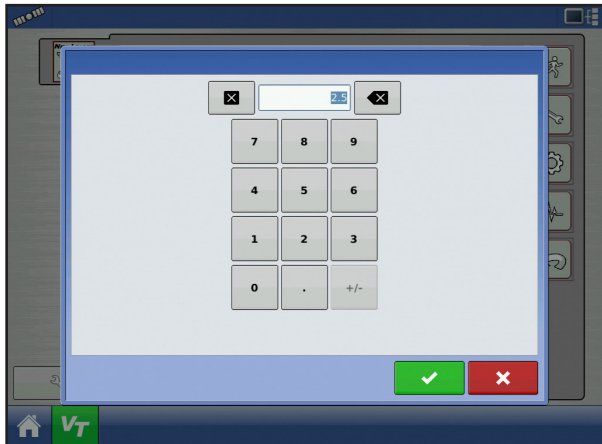


Figure 3 - Numeric Keypad

Navigation Control Buttons



Back Button



Forward Button



Return to Previous Screen



Accept Entry



Cancel


Machine Configuration

NOTE: Refer to default settings table at end of controller section for factory setup defaults.

NOTE: Before use, Display Monitor must be setup to enable VT connection and a machine configuration may need to be built. See Manufacturer's Operations Manual for detailed instructions on these processes.


Initial Configuration/Factory Setup

(Only seen on first boot, or if system is reset/reconfigured)

- Power up Display Monitor and activate VT.
- Alert screen appears identifying that system is not configured. Press  to continue.




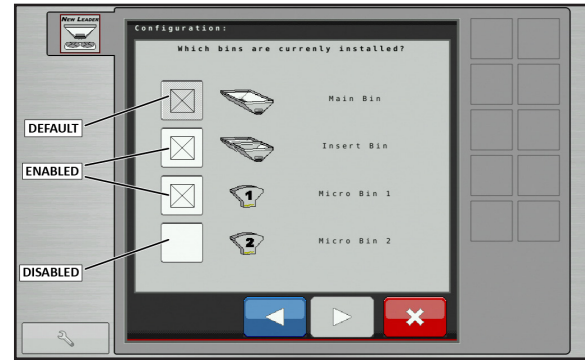
Overview of attached modules:

- Number of spreader modules will be shown along with any add on modules. Press  to continue.







Enable Installed Bins

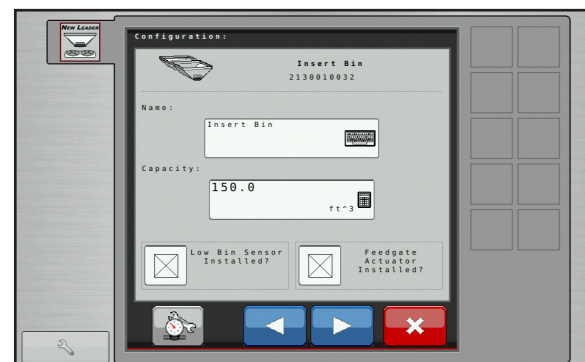
- Enable all bins that are installed on the unit by pressing the button next to each. A will appear next to enabled bins as shown. Press  to continue.




Bin Settings


Bin settings include Name, Capacity, Bin Sensor, Feedgate enabled/disabled, and Pressure Transducer calibration.

- Enter Capacity for Main Bin using keypad. Enable or disable bin level sensor as required. Press  to edit pressure transducer settings. If standard transducers are being used, press  to continue.
- Enable transducers and set calibration settings as necessary (adjust only if standard HECO provided transducers are not being used). Press  to continue.
- Repeat step 3 for MultiApplier or MultiBin Bin 2 as necessary. Press  to continue.



- Repeat step 3 for MultiBin Micro 1 as necessary. Press  to continue.




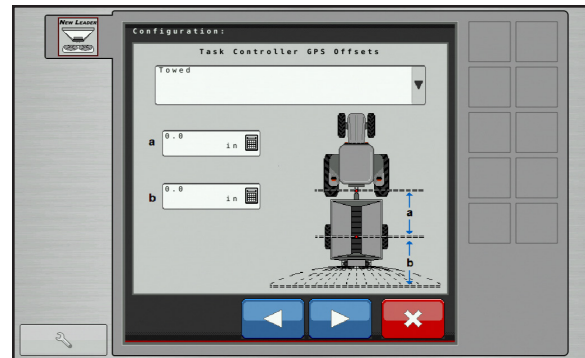
- Repeat step 3 for MultiBin Micro 2 as necessary. Press  to continue.



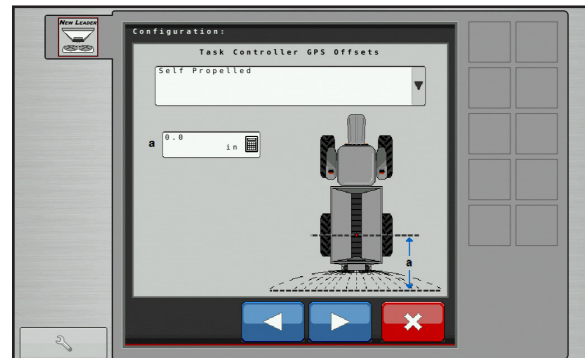
GPS Offsets

Editing the task controller GPS offset settings will determine drop point of material behind chassis.

- Select Towed or Self Propelled and enter GPS Offset using keypad.
- For single axle towed units, enter the distance from the center of the hitch pin to the center of the axle (a). Then enter the distance from the center of the axle to the center of the spinner disc (b).
- For self-propelled units, enter the distance from the center of the rear axle to the center of the spinner disc (a).
- NOTE: For units and trailers with tandem axles, use the center of the tandem for measurement reference point.
- Press  to continue.



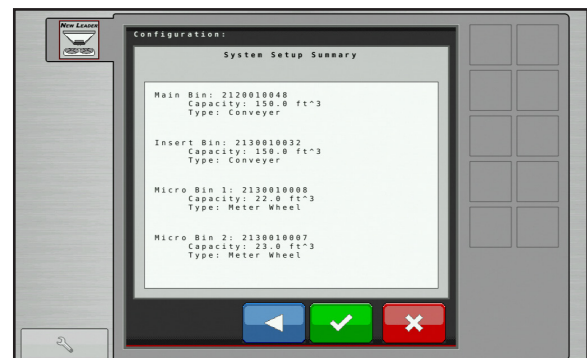
Towed



Self-Propelled

System Setup Summary


- Verify all settings are correct. Press  to continue or  to go back and adjust as necessary.



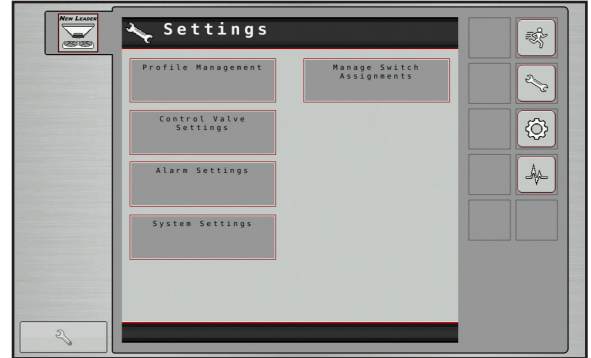
Configuring Auxiliary Switches

- Switches must be configured before calibration.
- Switchbox switches need to be mapped. Use the Display Monitor's operations manual to map all switches as necessary.

Settings

Changing machine calibrations allows operator to enable/disable bins, adjust valve calibration numbers, change alarm settings and reset modules. On the Home Screen, press  to change these settings:

Press  to to enable/disable bins.



Enable/Disable Bins

- Each Installed Bin (as set up in Step 4) will appear. Press each "Enable" button to enable or disable each bin as appropriate for the current job.



Valve Calibration Adjustment


- Press  to adjust valve calibration numbers.

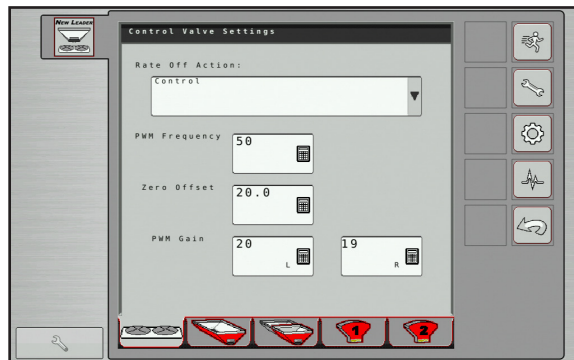
NOTE:

Default values are not fine tuned and may result in a slower response time than desired. Adjust at first time start up and when valve is replaced.



Controller Operations

- Press  to set spinners. Enter appropriate settings:
 - PWM Valve settings:
 - "Monitor" - no PWM control
 - "Control" - tries to maintain spinner speed at all times regardless of available hydraulic flow. Best for hydrostatic or CVT drives.
 - "Hold" - Preserves last PWM signal to valve when conveyor is deactivated. Best for geared transmissions with gear pumps.



- PWM Frequency - Frequency that PWM control valve is pulsed at. Settings can be found from valve manufacturer.
- Zero Flow Offset - Represents maximum duty cycle sent to control valve without producing any hydraulic flow from. Increase this number to hit target rate sooner.

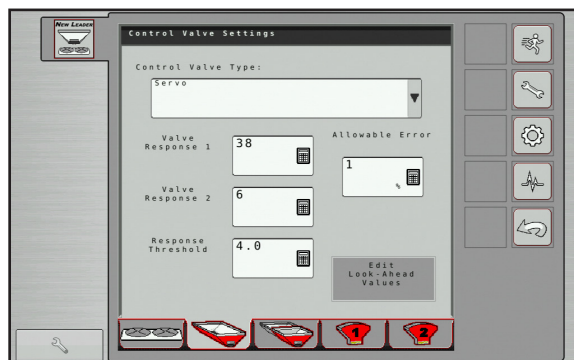
IMPORTANT! Setting Zero Flow Offset too high will cause spinners to overshoot Low Spinner Speeds and could cause delay in reaching set speed. Adjust as needed in small increments.

- PWM Gain - Determines how aggressively control valve responds when making rate adjustments. Higher value means more aggressive system response.

IMPORTANT! Setting PWM Gain too high spinners will become erratic. Adjust as needed in small increments.

- Set Conveyors by selecting each bin at bottom of screen.

NOTE: If using PWM valves instead of Servo valved, select "PWM" from "Control Valve Type" list and enter settings as per notes on Spinner valves and test for accuracy.



NOTE: Setting value too low can cause product control system to continually hunt for target application rate. Setting too high will cause excessive product application error and a delay in target rate being reached.

SERVO

Enter appropriate settings:

- Valve Response 1 - Determines speed of servo valve when product control error exceeds Response Threshold setting. Represents fast speed of servo valve. Decreasing value will cause servo valve to run slower. Default setting is 40%.
- Valve Response 2 - Determines speed of servo valve when product control error is less than

Controller Operations

Response Threshold setting. Represents slow speed of servo valve. Decreasing value causes servo valve to run slower. Default setting is 8%.

- Response Threshold - Determines where control channel switches between using Valve Response 1 and Valve Response 2 speed setting. Leaving all other valve control settings at default value and making small adjustments to this setting is usually all that is required to fine-tune system performance. Default setting is 4.

NOTE: Decreasing Response Threshold value will have overall effect of speeding up servo valve response. Increasing Response Threshold value will have overall effect of slowing servo valve response.

- Allowable Error - Determines the percent of error that is allowed prior to product control system making any flow rate changes. 2% - 3% is normal dead band setting range.

PWM

- **PWM Frequency**

- Frequency that the PWM control valve is pulsed.
- Settings can be found from valve manufacture
- Do not adjust

- **Zero Offset**

- Represents the maximum duty cycle sent to the control valve with out producing any hydraulic flow.

- Increase this number to hit target rate sooner
- Note: Setting this value too high will result in constant overshooting of the target rate.

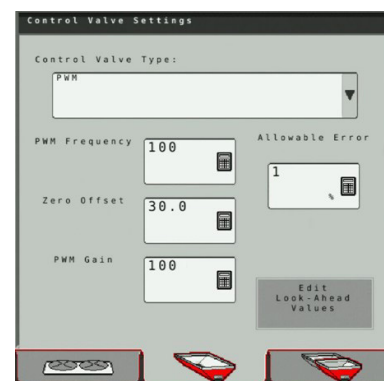
- **PWM Gain**

- Gain determine show aggressively the control valve responds when making rate changes. Higher the value means more aggressive system response.

- Note: Setting this value too high will result in erratic operation.

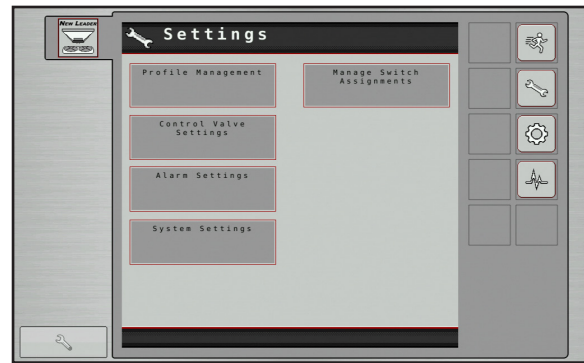
- **Allowable Error**

- Is the percent of error that is allowed before the product control system makes any flow rate changes.

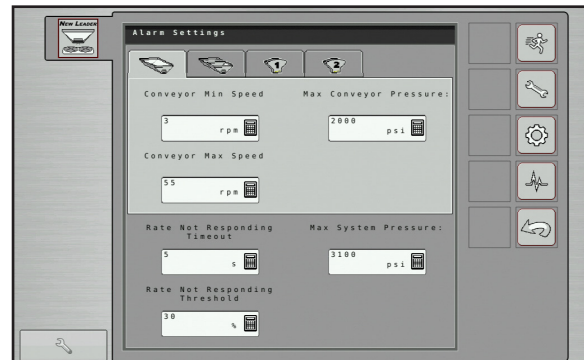


Alarm Settings

- Press  to adjust alarm settings.




- Edit each Alarm setting as desired.

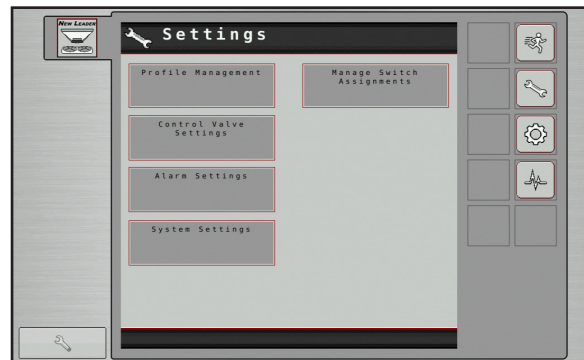


Reconfigure System

NOTICE!

Pressing "Reset" under "System Settings" will restore all settings to factory default and all calibration numbers will be lost. It should only be pressed if instructed to do so by service technician or New Leader product support.

- Press  to reset/reconfigure system.

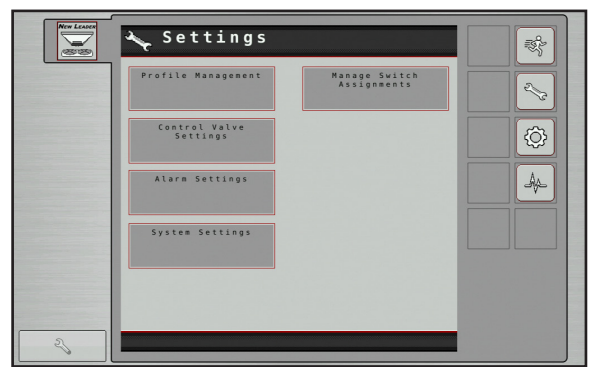


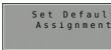
- "Reconfigure" allows the user to adjust any of the system settings made during first time start up ("Machine Configuration" steps). "Reset" will restore all settings to factory default and all calibration numbers will be lost.
- Display will then jump to GPS offset screen. See "GPS Offsets" in this section for details.

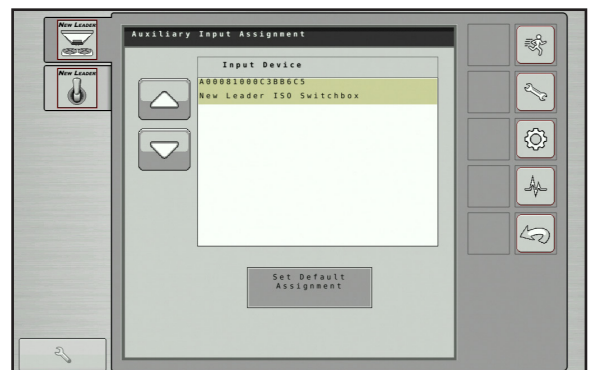


Switch Assignment


- Press  to show connected devices.



- Connected devices will appear in the device list.
- If using a New Leader switch box, press  to automatically map the switches to the correct function.



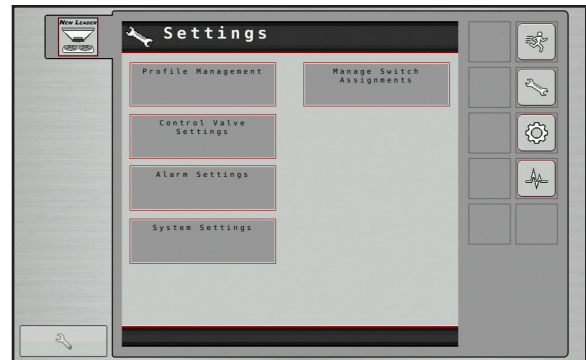
Material Profile Management

For every material to be spread, at every unique rate, a material profile must be configured. On the Home Screen, press  to manage profiles.

NOTE:




Spread pattern testing is required when creating a new profile or if modifying an existing profile. A spread pattern test kit is available for this purpose. See "Spread Pattern" section of manual for details.

- Press  to continue.



- Select Swath Module tab at bottom of the screen.





- This screen shows where profiles are stored. Up to 25 different profiles may be saved.
 - Press  to create a new profile (A).
 - Press  to edit an existing profile (B).
 - Press  to delete an existing profile (C).
 - Press the dropdown arrow (D) to select a saved profile.

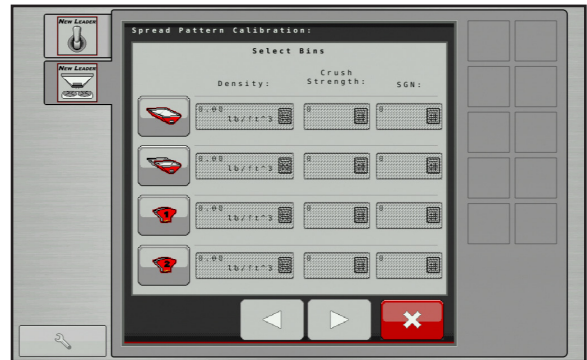



Creating a New Profile

NOTE:

When creating a new profile for a new material to be spread, spread pattern tests must be conducted. Spread pattern testing at low and average application rates ensures proper spinner position for given spreader output. Refer to "Spread Pattern" section of manual for details.

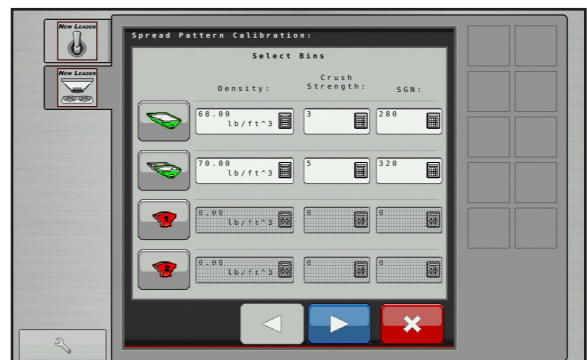
- Press  on the Swath Module tab under Profile Management to create a new profile.
- Activate bins to be run on profile by selecting the icons on the display.
- Press  to continue.



- Enter material density for each bin. crush strength and SGN are not required, but it is recommended to add the information if proper measurement tools are available.
- Press  to continue.

NOTE:

A crush strength and SGN test kit is available. See "Spread Pattern" section of manual for details.

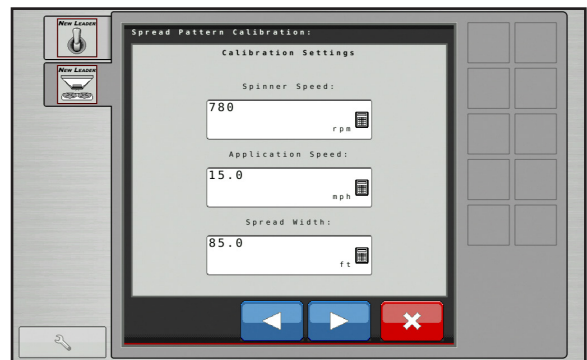


- Enter spinner speed, application speed (ground speed) and desired swath width.

NOTE:

Spinner speed and swath width are determined from crush strength and SGN. See "Spread Pattern" section of manual for details.

- Press  to continue.

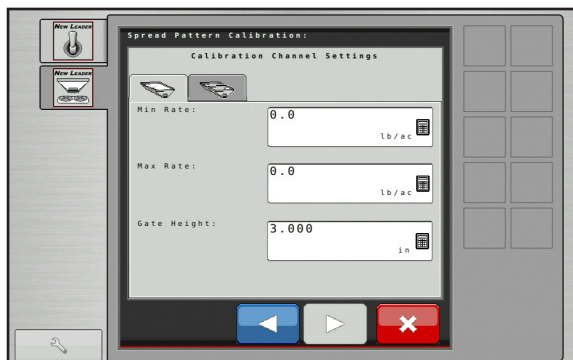


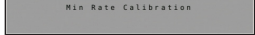
Controller Operations

- Enter the minimum rate to be used for Min Rate.
- Enter the average between the minimum rate and maximum rate to be used for Avg Rate.
- Repeat for each active bin.

NOTE: Feedgate Optimizer will suggest a new gate height if desired application rate is not possible with current gate height.

- Press  to continue.




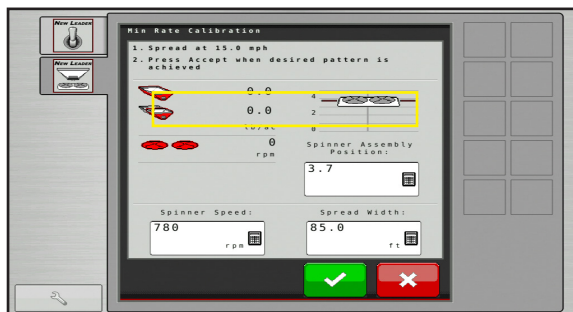
- Press  to start spread pattern test at lowest entered rate.

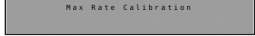
- Press  to continue.



- Enter starting spinner speed, spinner assembly fore/aft scale position and desired swath width.


- Turn on spinners and drive through the test course.
- Collect and analyze spread pattern test results from pans.
- Make adjustments and repeat test as necessary to achieve desired results.
- Press  once an acceptable spread pattern has been achieved.

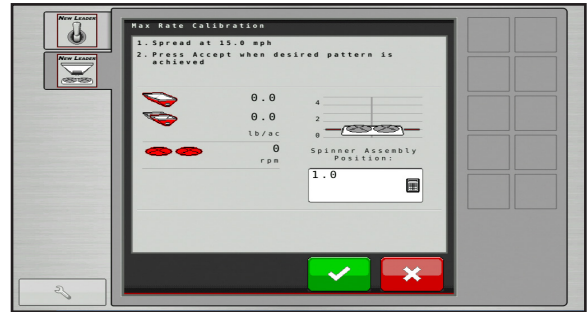



- Press  to start spread pattern test at the average rate.

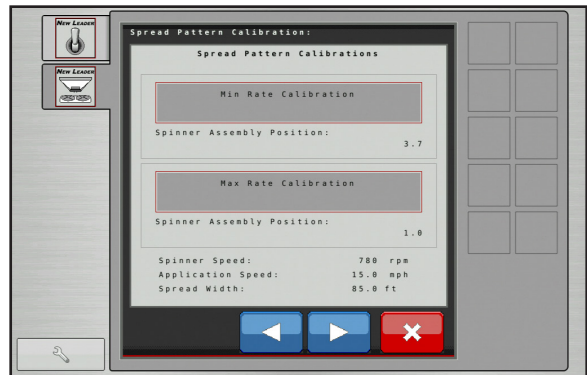
- Press  to continue.




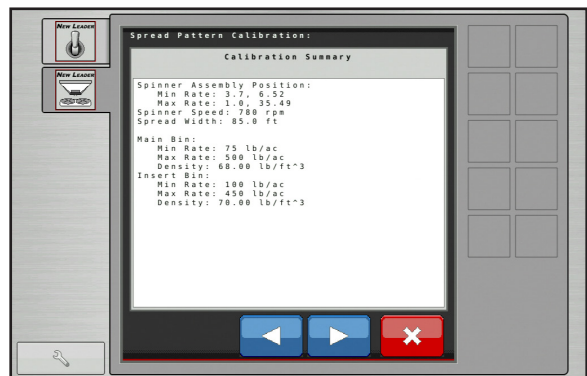
- Enter starting spinner speed, spinner assembly fore/aft scale position and desired swath width.
 - Turn on spinners and drive through the test course.
 - Collect and analyze spread pattern test results from pans.
 - Make adjustments and repeat test as necessary to achieve desired results.
 - Press  once an acceptable spread pattern has been achieved.




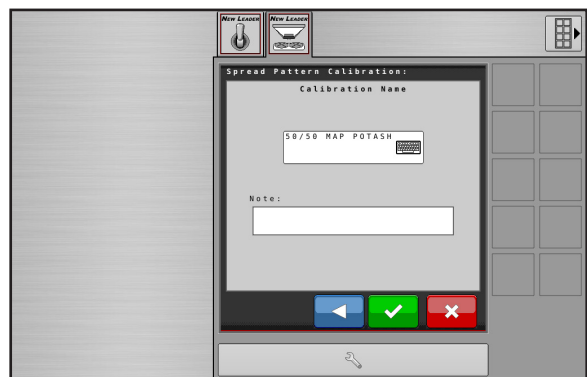
- Material profile is now successfully calibrated for low and high rates. Press  to continue.



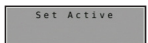

- The next screen displays a summary of the test results for each active bin. Press  to continue.



- Enter name for new profile, and any desired notes. Press  to continue.

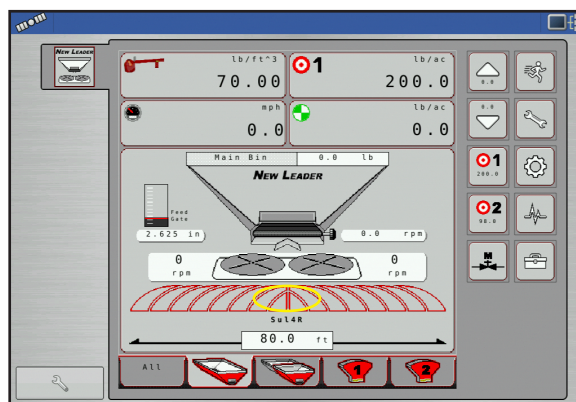


Controller Operations

- Press the dropdown arrow to select desired profile.
- Select desired profile from the dropdown list.
- Press  to set selected profile.
- Press 




- Active profile is displayed below the swath display below Spinner Settings on the Run Screen.

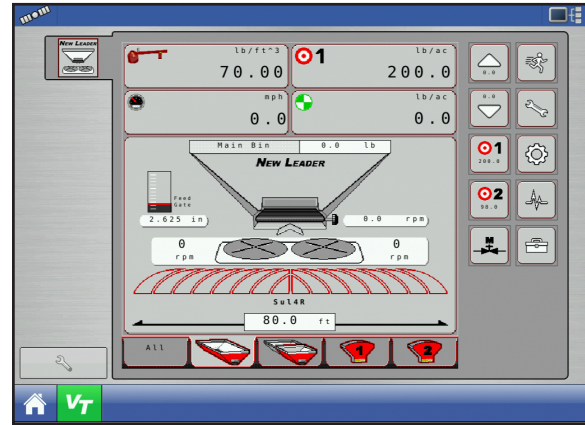


This page is intentionally left blank.




Component Calibration

NOTE: Before regular use, system must be calibrated to ensure accurate spreading.

- Power up Display Monitor and activate VT.
- The Run screen will appear. Press  to continue.




Spinner Disc Calibration

- Press  to calibrate spinner discs.
- Use keypad to edit numeric setting as necessary:
 - Standard spinner discs, set to 4.
 - If using 5 fin discs, set to 5.
 - If using 6 fin discs, set to 6.
 - Press  to accept change and continue,
 - or  to cancel.



Spinner Assembly Calibration

The spinner assembly must be calibrated if either the fore/aft or left right cylinders are replaced, or if a new swath module is installed.

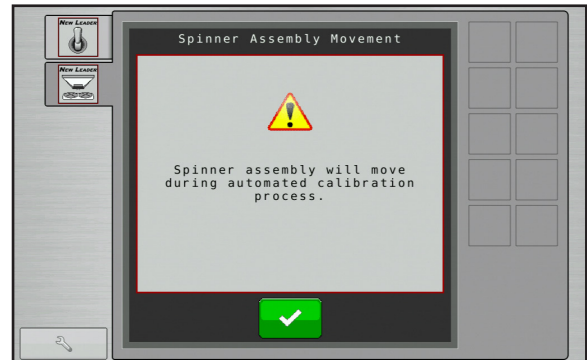
- Press  to calibrate spinner assembly.




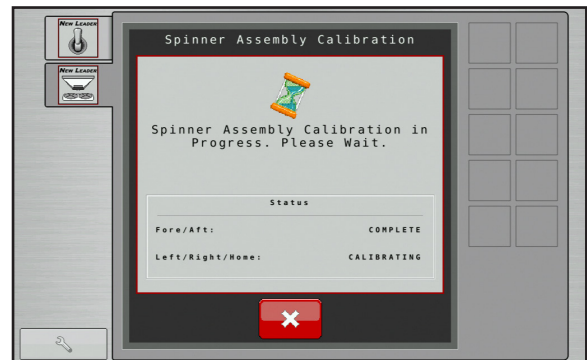
WARNING

Spinner assembly will move during calibration process. Keep away from moving parts to avoid injury.

- Press  to begin calibration process.

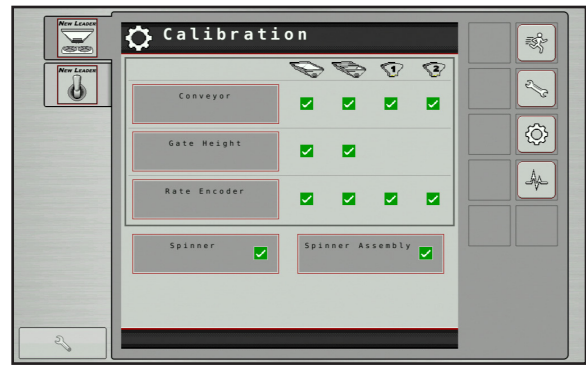


- Spinner assembly will move through range of motion both fore/aft and left/right. Press  when complete.

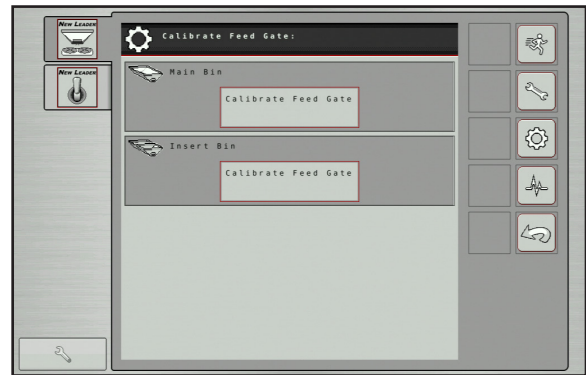



Feedgate Calibration

1. Press  to calibrate feedgate height.



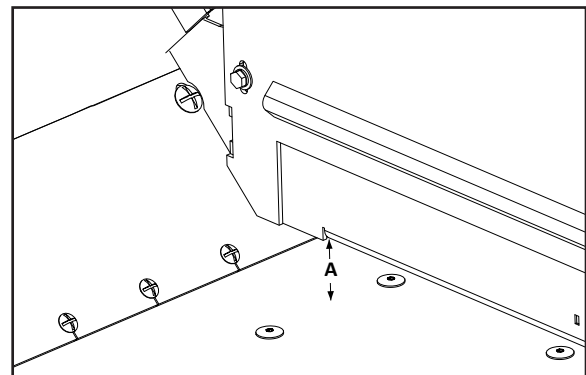
2. List will appear with all installed feedgates. Select feedgate to calibrate.




3. The feedgate will move to its lowest possible height. Press  to continue.




4. Measure the actual height of the feedgate above the conveyor as shown by measurement A. Bin 1 feedgate with insert shown.



5. Enter the actual measured height of the feedgate in the display. Press  to continue.

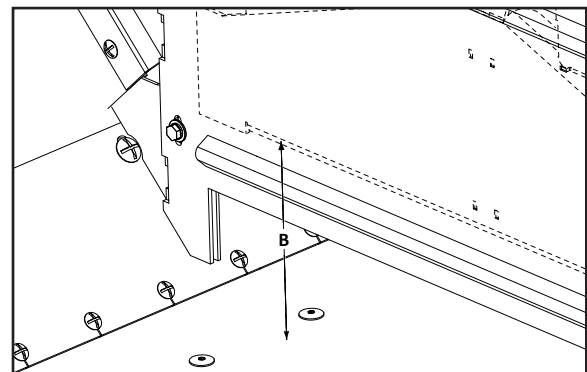



6. The feedgate will now move to its maximum height. Press  to continue.

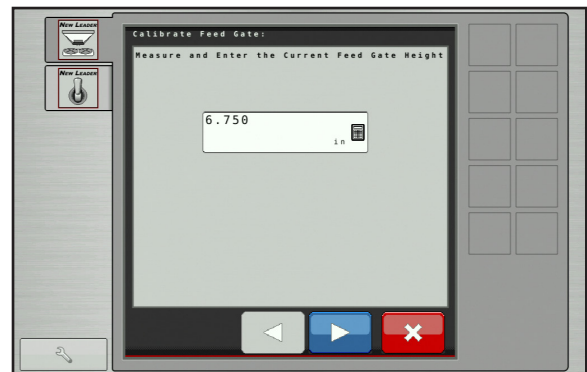


7. Measure the actual height of the feedgate from the conveyor as shown by measurement B.

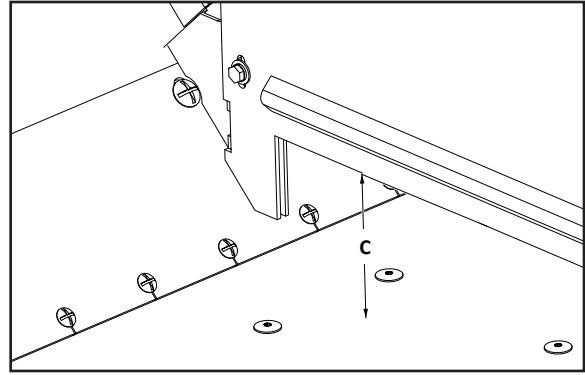
NOTE: Maximum height setting of feedgate is higher than actual feedgate opening. Ensure measurement taken is from the bottom edge of the feedgate to the conveyor.




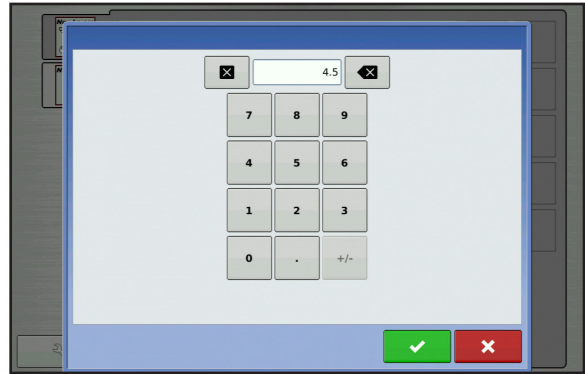
8. Enter the actual measured height of the feedgate in the display. Press  to continue.



9. Measure the height of the actual feedgate opening from the conveyor as shown by measurement C.



10. Enter the measured height of the feedgate opening into the display. Press  to continue.
11. Repeat steps 2 - 10 for all installed feedgates.



Conveyor Calibration



IMPORTANT!

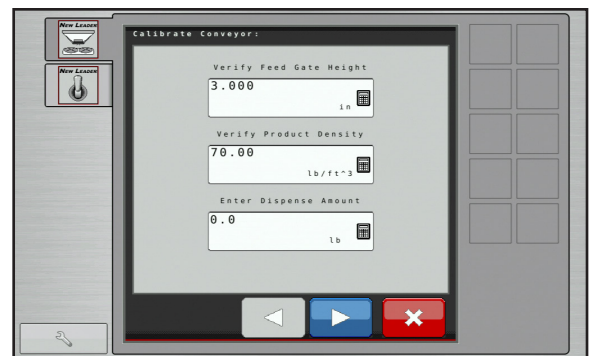
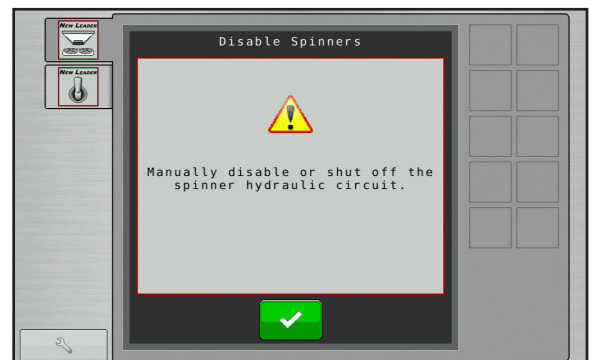
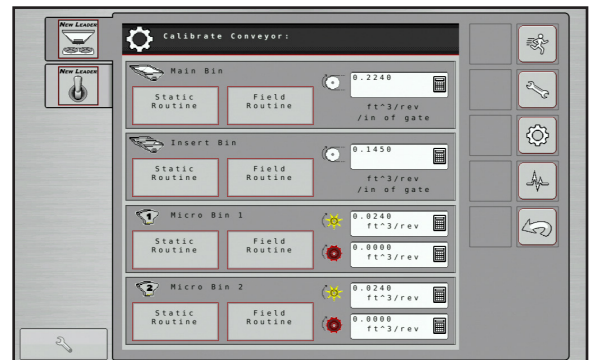
For best results, a catch test must be done for each product to be spread before season begins, or any time a new supply of product is received.

- Press **Conveyor** to calibrate conveyor.
- Manually enter cubic feet per revolution (CFR) rate using keypad.
- To begin catch test, press **Static Routine** for the bin to be tested.
- To perform in-field calibration, press **Field Routine** for the bin to be tested.







⚠ WARNING

Do not work near rotating spinners. Severe injury can result from contact with moving parts.


- Spinners will automatically shut off. For added safety, disconnect PWM valves. Press  to continue.
- Verify Feed Gate Height and Product Density are correct. Use keypad to edit as needed. Enter Dispense Amount using keypad. Press  to continue.
- Bring engine up to full operating RPM.

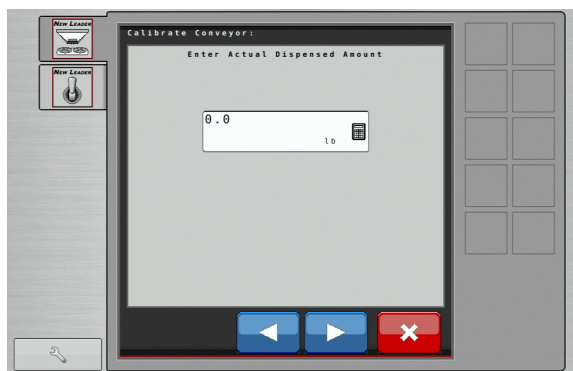



Controller Operations

- Using the control buttons    (Reset, Run, Stop), run a catch test. If spreading product that has already been tested, press  to continue. To begin a test, press . Conveyor will run.
- Once controller dispenses specific amount, conveyor will stop. Press  to continue.

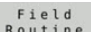


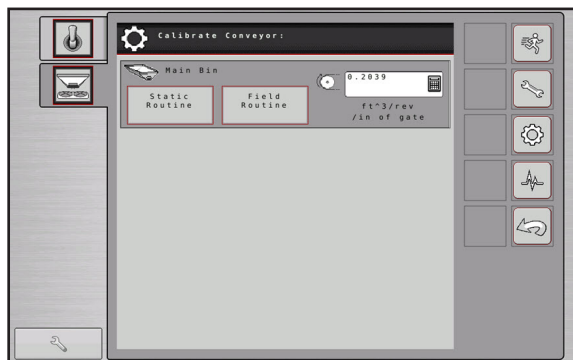
- Weigh material dispensed and enter actual weight of material dispensed. Press  to continue.




- It is recommended a minimum of three (3) tests be done PER PRODUCT to ensure accuracy. Once each test is done, press "Repeat Calibration" to run a subsequent test. When finished, press .

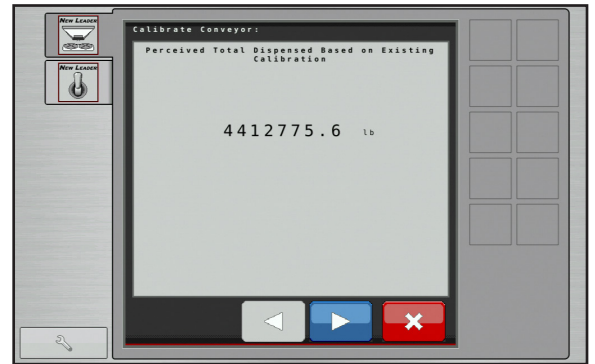



- The main Calibration screen will appear. To calibrate with a known amount brought to a field, press .

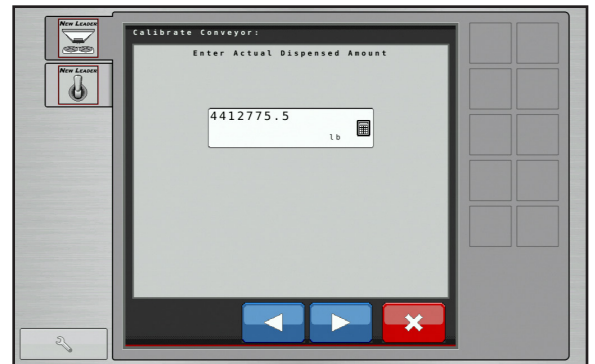



Note: Field totals can be reset from Summary Screen if needed.

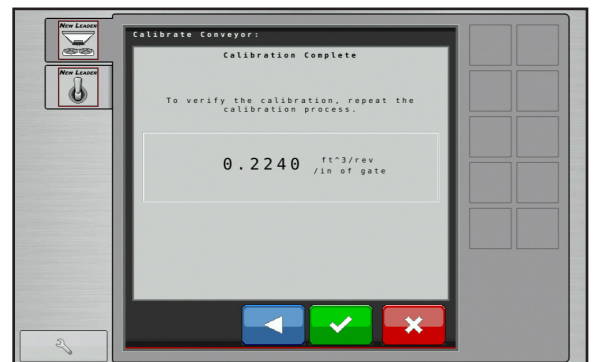
- After dispensing product in field, screen displays system perceived total of dispensed product. To enter actual dispensed amount, press .



- Using keypad, enter actual weight of product dispensed. Press  to continue.



- New cubic feet per revolution (CFR) rate will be displayed. Press  when finished.



Operations/Features

Create New Job

The following is a guide for running system for first time.

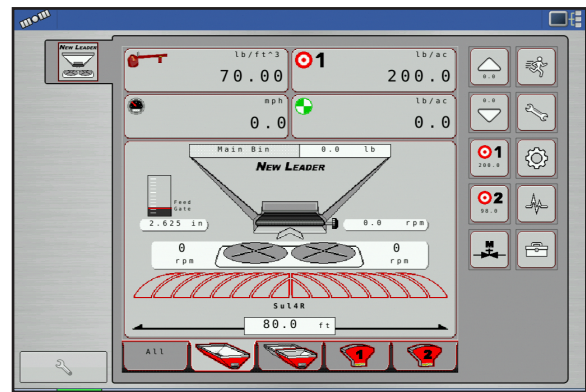
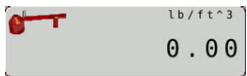
1. Create Job in display.



This operation will vary from display to display. Refer to display manual on how to create a job using Task Control. When finished, activate VT.

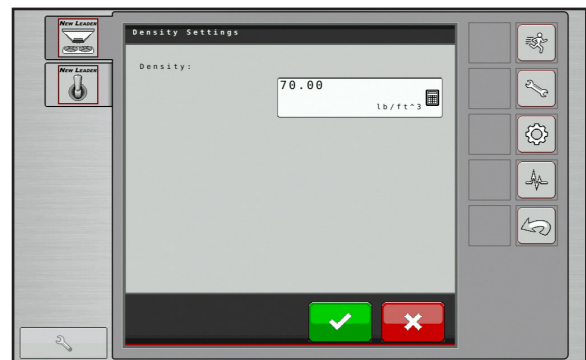
2. Verify Product Density.

Material Density will vary from product to product. It is imperative that correct density is entered in controller for rates to come out correctly.

- To change product density, press

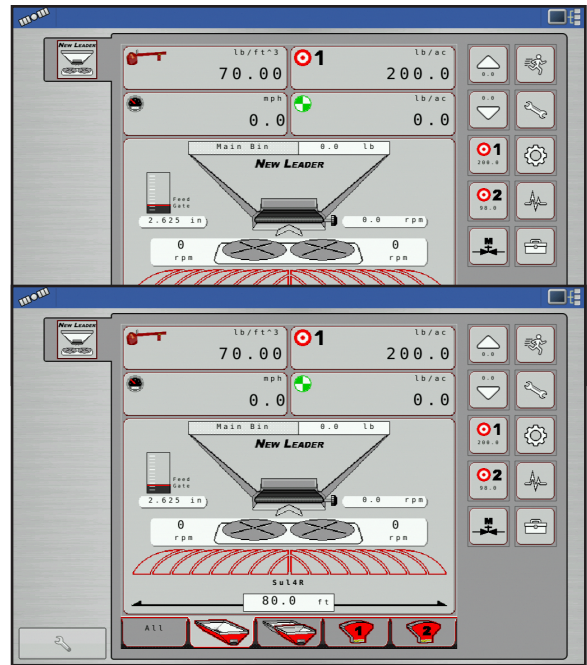


- Use keypad to enter density. Press  to accept change and continue, or  to cancel.

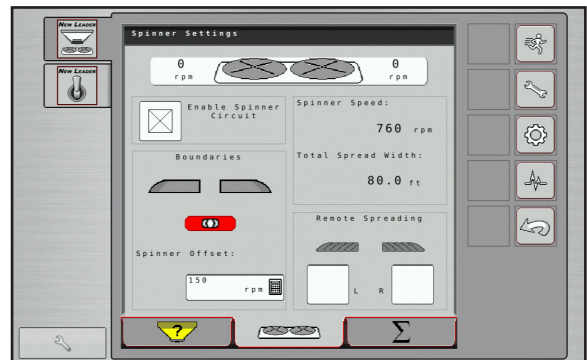


3. Verify task control in Target Rate 1.
 - Rate will be driven by job setup in display. To verify this, TC should show in place of target rate 1. If not, verify job has been created correctly. Refer to display manual.

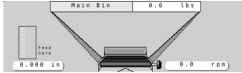
4. Verify total spread width and spinner speed:
 - Different products may require different spread widths or spinner speeds. Always verify the material profile is configured correctly before applying product.
 - Edit current profile or create a new one if necessary. See "Material Profile Management" for details.

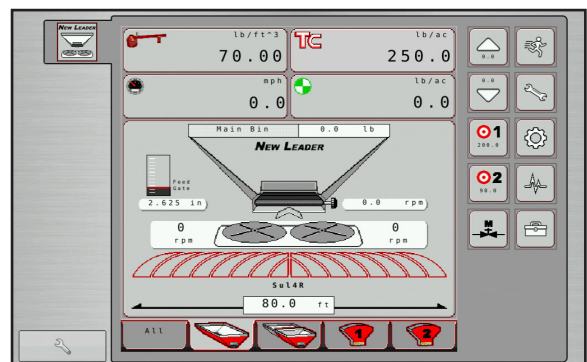


- Enable Spinner Circuit. Using keypads, enter Spinner Speed and Total Spread Width. If desired, enter Spinner Offset (see Boundary Spreading section of this manual for instructions).

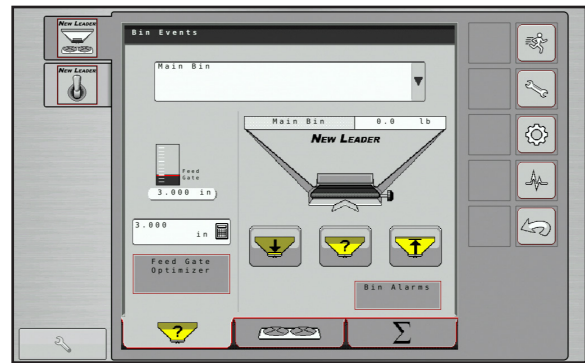


5. Verify gate opening:

- Press  to set bin levels and change gate opening.



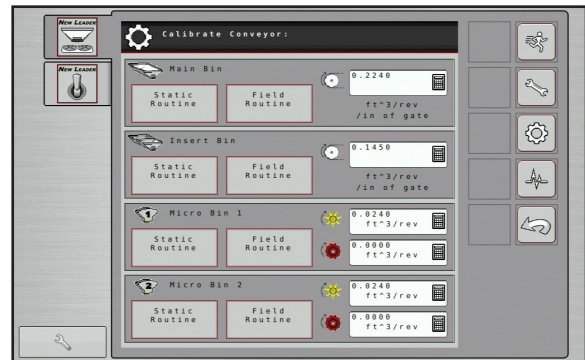
- Use keypad to set feedgate opening to correct reading.



6. Verify CFR number is correct:

Different products may require different calibration numbers. Verify the CFR number is correct before applying product.


- Press  then .
- Use keypad to change CFR number as needed.

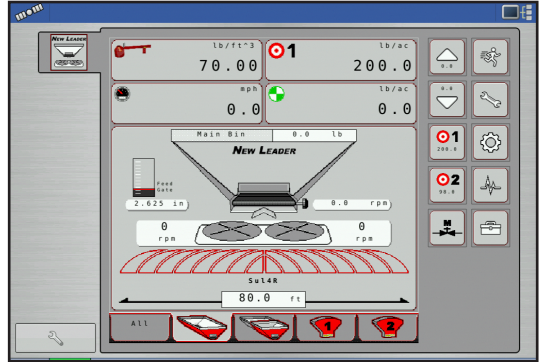



Feedgate Optimizer

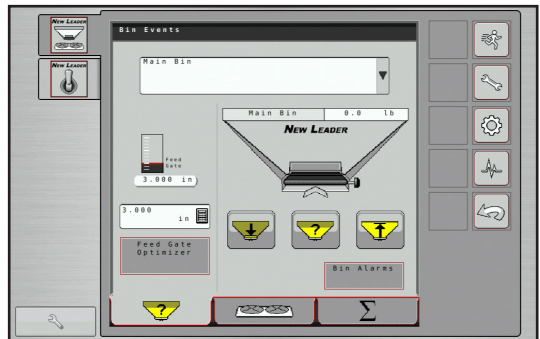
NOTE: This program will help to determine the ideal gate position for each specific application, based on speed, swath width, density, and application rate.

1. Power up Display Monitor and activate VT.

- The Run screen will appear. Select appropriate bin button at bottom of screen. Press  to continue.

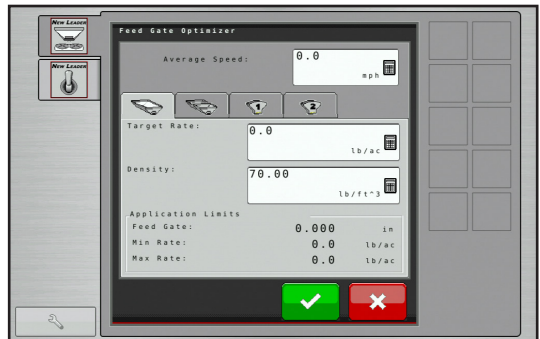


- The Bin Events screen will appear. Press  to continue.





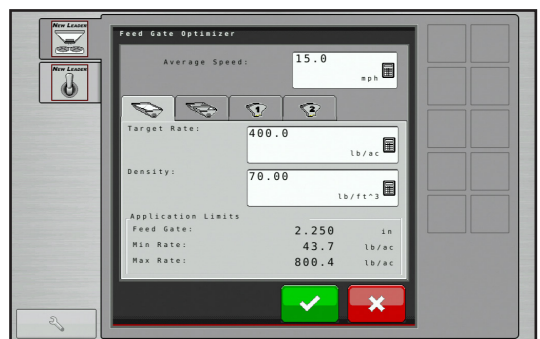
2. Enter average speed and target rate:

- The Feedgate Optimizer screen will appear. Using keypads, enter Average Speed and Target Rate into appropriate fields for each bin.




3. Accept recommended settings:

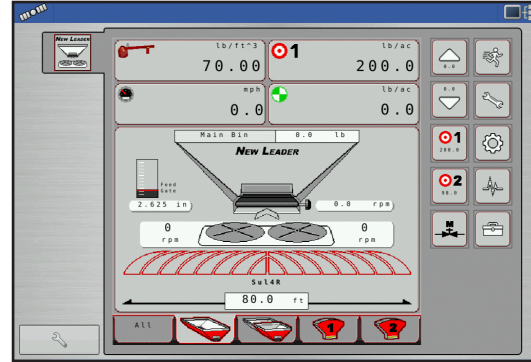
- Recommended feedgate opening will be displayed along with minimum and maximum rates. If  is selected, new feedgate setting will save and automatically move to proper height. If  is selected, new settings are ignored and system settings are kept.




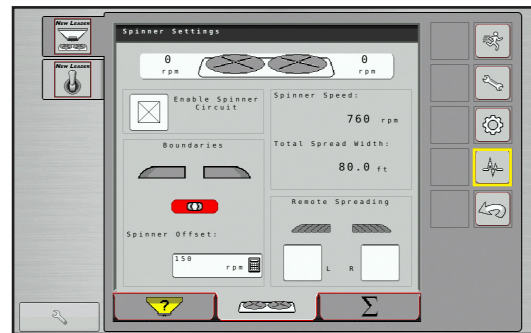
Boundary Spreading

NOTE: This program allows the operator to independently modify spinner speeds to change the width of spread to either side, creating a "boundary" line to maximize spreading efficiency.

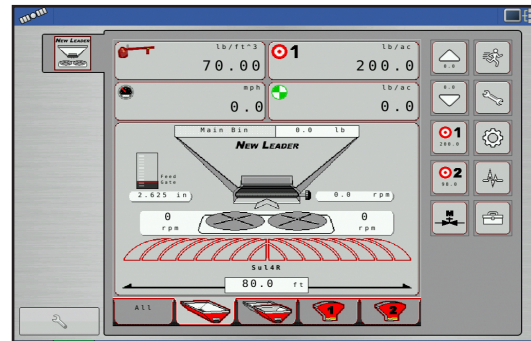
- On the Run Screen, press  to access spinner settings.



- Enter spinner offset:
 - The Spinner Settings screen will appear. To create a Boundary, use the keypad to enter a specific Spinner Offset. Spread pattern tests should be completed for each product to be spread to determine best offset settings, based on density, crush strength and size. See "Spread Pattern" section for details. Press  to save and return.




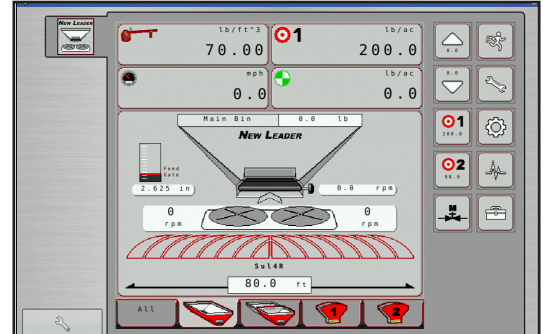
- Enable boundary spreading:
 - When running normally, Run Screen will display all swath sections normally. To activate the Boundary, flip the spinner switch on the switch box to the side that the boundary is on.
 - EXAMPLE: If spreading with a boundary to the right hand side in relation to direction of travel, flip the switch to the right to limit the spread pattern on the right hand side.



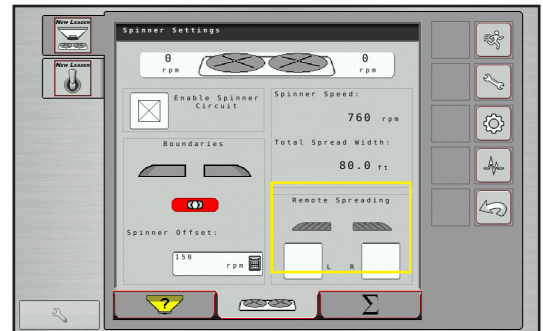
Remote Spreading

NOTE: This program allows the operator to shift the spinner assembly left or right to apply a near “half pattern” with the majority of the pattern on one side of the machine only.

- On the run screen, press  to access spinner settings.




- Select the check box for the side of remote pattern desired.
- EXAMPLE: To apply product on only the left hand side in relation to the direction of travel, select the left hand check box to activate left-hand side only remote spreading.

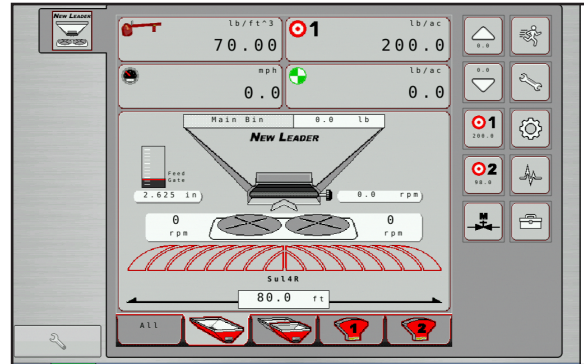


Diagnostics

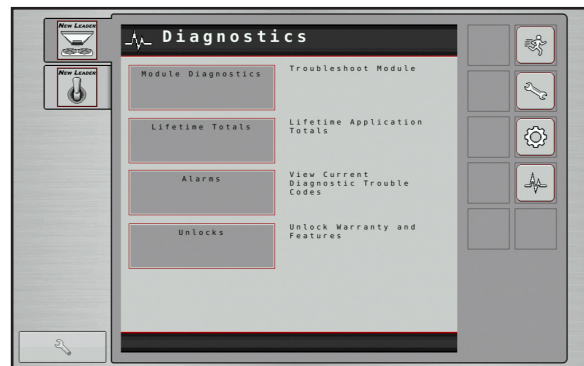
NOTE: Advanced diagnostic features are available that allow the operator to quickly diagnose most issues that could occur.


1. Power up Display Monitor and activate VT.

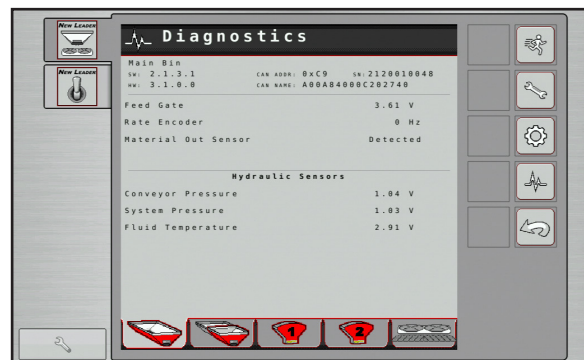
- The Run screen will appear. Press  to continue.



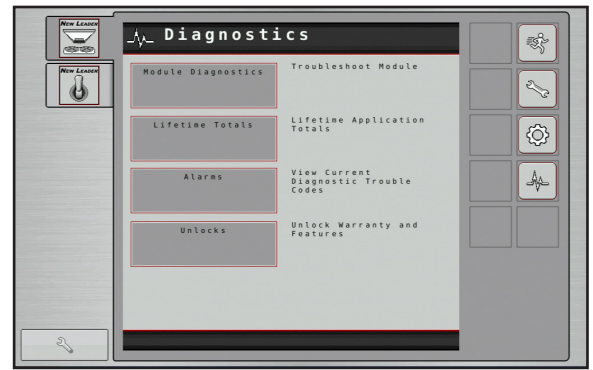
- The Diagnostics screen will appear. To view Bin Diagnostics, press .




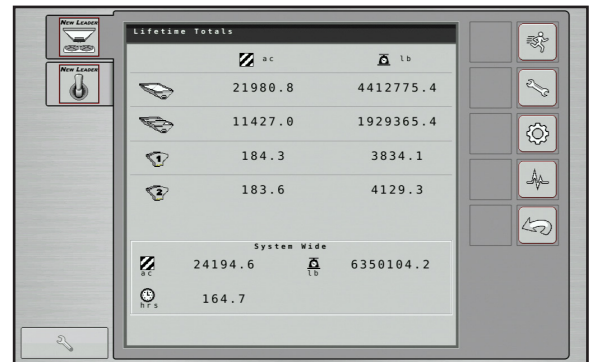
- Diagnostic information for each bin will display (these are used for troubleshooting). Press  to return to Diagnostics screen.



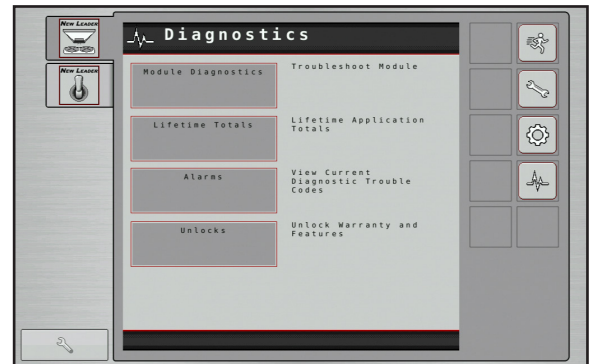
- To view machine lifetimes totals, press




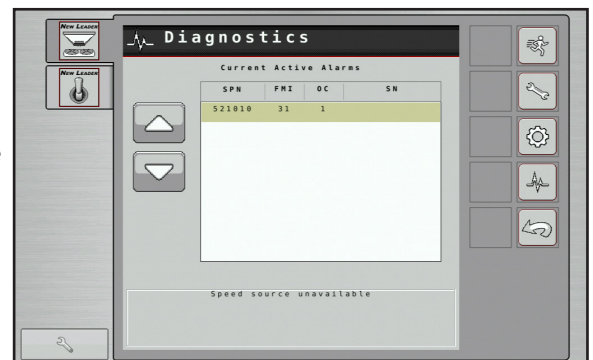
- At top of screen, each bin's lifetime totals for acres and weight appears. At bottom of screen, cumulative Acres(ac) and Weight(lbs) will appear. Hours(hrs) will be on main bin only. Press  to return to Diagnostics screen.



- To view active alarms, press

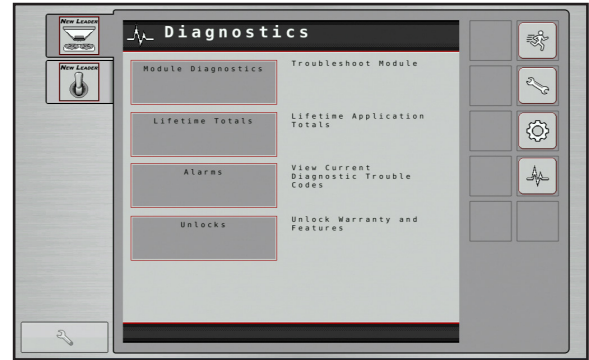



- Current active alarms will display. When an alarm code is highlighted, a description will appear at bottom of screen. This is used for troubleshooting. Press  to return to Diagnostics screen.

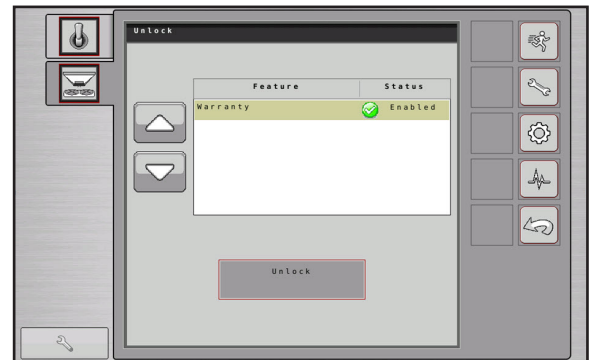


- To view unlocked features, press

Unlocks




- Current unlocked features will display. Press "Unlock" to display module serial number and registration number. Press  to return.

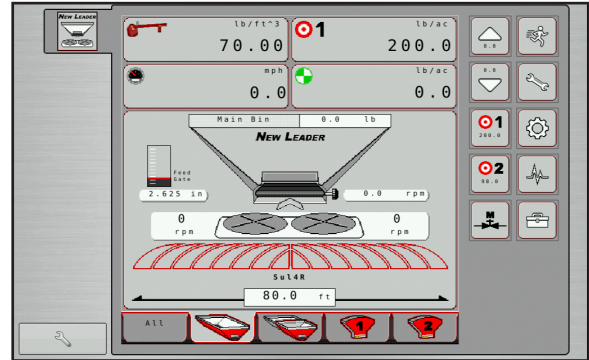



Hydraulics

NOTE:




This program will show a visual representation of hydraulic monitoring, including system pressure, temperature, conveyor pressure, and indicators for low fluid level and filter restriction. Individual bins can be viewed by pressing the bin icons along the bottom of the screen.

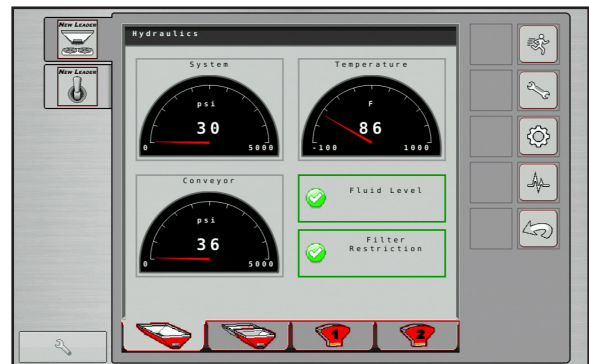
1. Power up Display Monitor and activate VT.
 - The Run screen will appear. Press  to continue.



- The Tools main screen will appear. Press  to continue.



2. View hydraulic monitoring:
 - Hydraulics - System pressure, Temperature, and status of Fluid Level and Filter Restrictions will show system wide.
 - Conveyor Pressure will display for Bin 1, and cumulatively for Bins 2 - 4 as equipped.
 - Fluid Level and Filter Restriction status are shown in the lower right hand corner. When within acceptable levels, the boxes are outlined in green and display a  (as shown). If fluid level is low or if filter is restricted, the box will be outlined in red and display a .
 - Press  to return to Tools Screen.




NOTE:

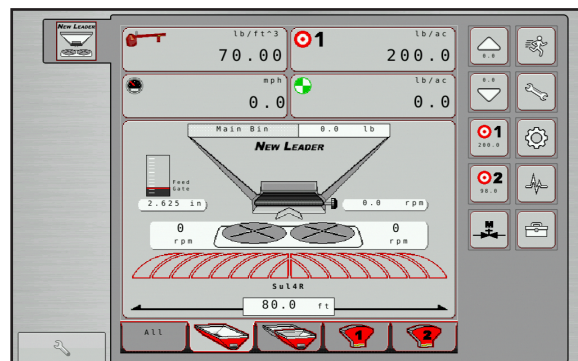
If the spreader does not have an onboard hydraulic reservoir, fluid temperature, fluid level and filter restriction are not accurately displayed.


Controller Operations

Cylinder Bleeding

Bleeding routine is run to purge air from hydraulic cylinders for accurate positioning. Perform the bleeding routine at the beginning of each season, after any service work has been performed on the hydraulic system, and upon startup if spreader has been sitting for an extended period of time.

- Press  to access cylinder bleed routine.



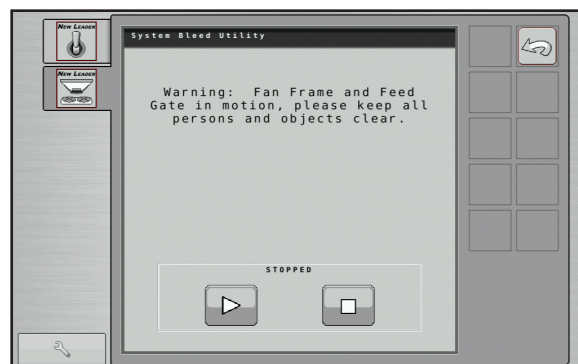
- The Tools main screen will appear. Press  to continue.



WARNING


Spinner assembly and feedgate(s) will move during calibration process. Keep away from moving parts to avoid injury.

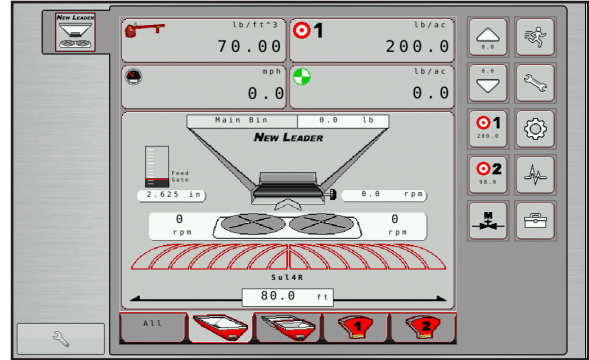
- Press  to begin bleed routine.




Bin Flush

NOTE: This program is used to quickly empty each bin. Spinners will automatically shut off and allow the operator to select which bins to empty.

1. Power up Display Monitor and activate VT.
 - The Run screen will appear. Press  to continue.




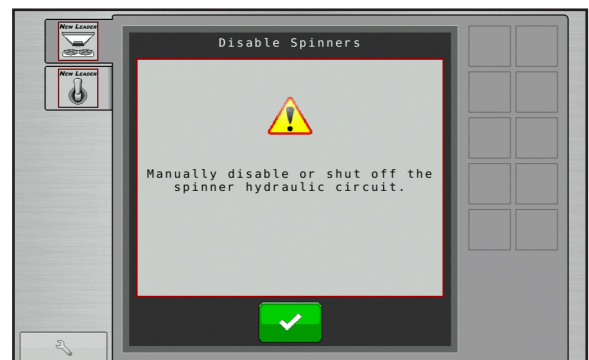
- The Tools main screen will appear. Press  to continue.



WARNING Do not work near rotating spinners. Severe injury can result from contact with moving parts.

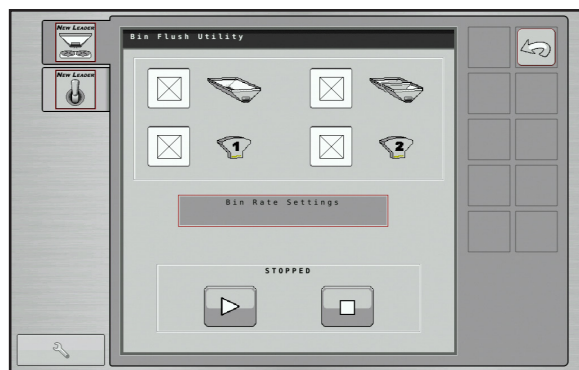
WARNING For added safety, unplug PWM valves to ensure spinners cannot run while in Bin Flush mode to avoid injury.

- Bin Flush will automatically disable spinners. Press  to continue.



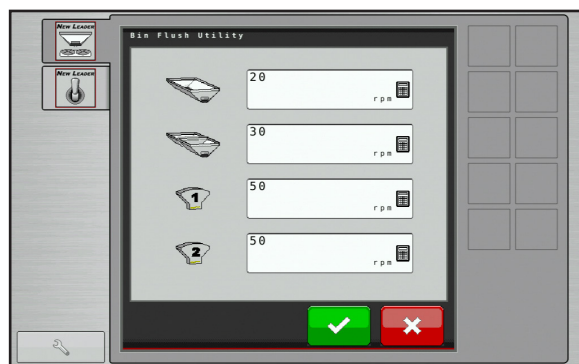
Controller Operations

2. Select bins:
 - Select bins to be flushed by pressing enable buttons next to each. To adjust conveyor RPM for flush, press .



3. Set conveyor RPM:
 - Use keypads to set conveyor RPM for each bin. 20 RPM is default.
 - Bin 1 Maximum = 50 RPM
 - Bin 2 Maximum = 60 RPM
 - Bins 3 & 4 Maximum = 85 RPM

Press  to continue.




4. Perform bin flush:
 - To flush bins, press . Conveyors will run until  is pressed.

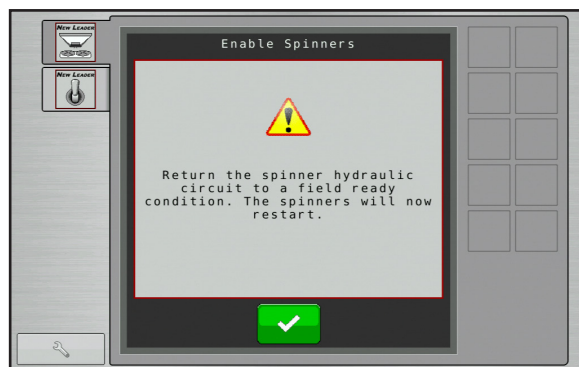
When process completes, press  to continue.




WARNING

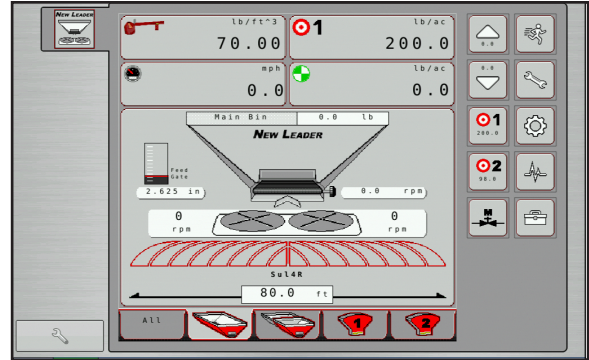
Do not work near rotating spinners. Severe injury can result from contact with moving parts.


- When exiting Bin Flush process, spinners will restart. Plug PWM valves back in if it was previously disabled. Press  to continue.



Body Module

1. Power up Display Monitor and activate VT.
 - The Run screen will appear. Press  to continue.

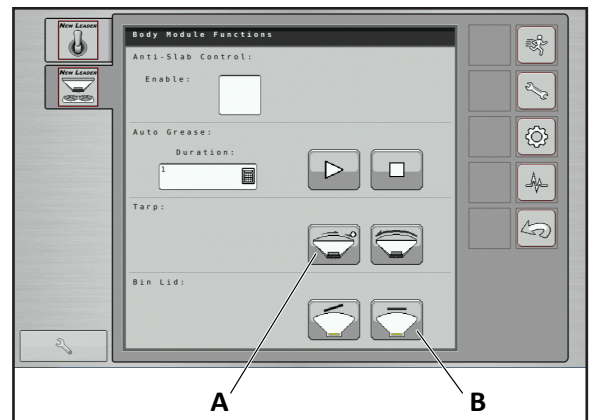


- The Tools main screen will appear. Press  to continue.



Bin Cover Control


- If equipped, press  (A) to open and close tarp.
- If MultiBin insert is installed, press  (B) to open and close Micro cover.

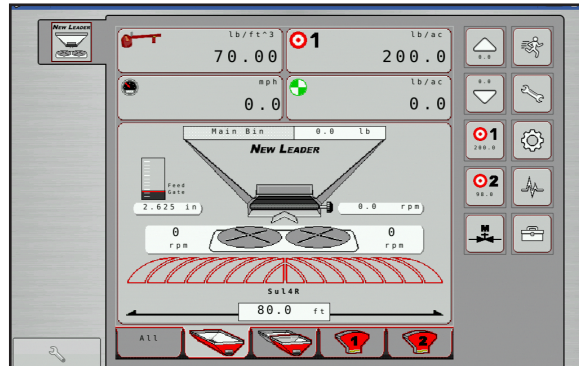



Chain Oiler

NOTE: This program is used to manually oil the chain, set alarm frequency, and set auto-lube settings.

1. Power up Display Monitor and activate VT.

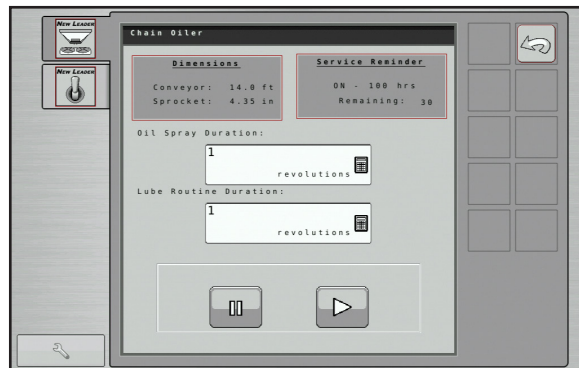
- The Run screen will appear. Press  to continue.




- The Tools main screen will appear. Press  to continue.



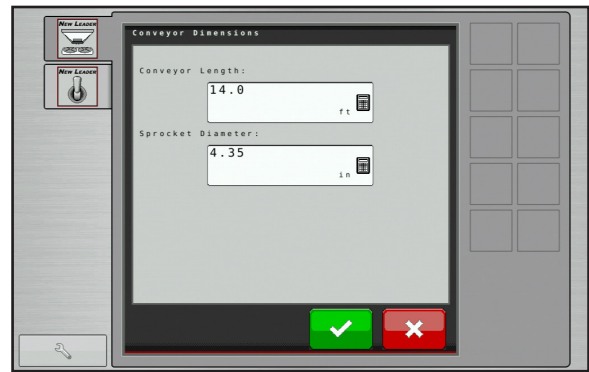
2. Set duration:
- Use keypads to set oil chain duration (recommended 1 revolution). Lube routine is not used at this time.





3. Set conveyor dimensions:
- Press "Dimensions" to input conveyor dimensions. Use keypads to input conveyor length and sprocket diameter.

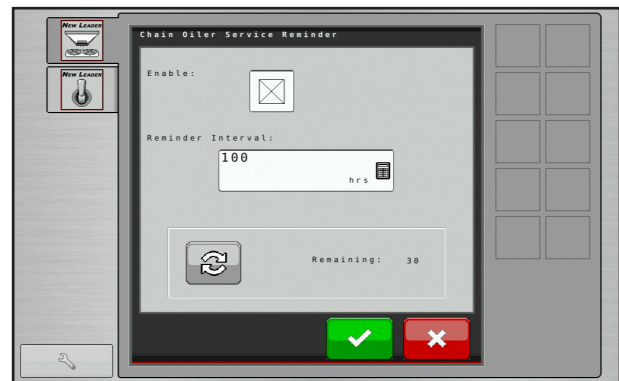
Press  to return to Chain Oiler screen.

Press  to return to Tools Screen.



4. Set service reminder:
- Press "Service Reminder" to set chain oiler reminder. Enable Reminder and use keypad to enter interval hours desired. To restart reminder after manually oiling conveyor, press .

Press  to return to Chain Oiler Screen.

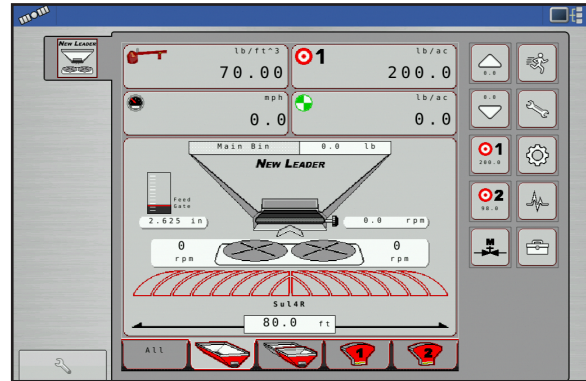



Bin Sequencing

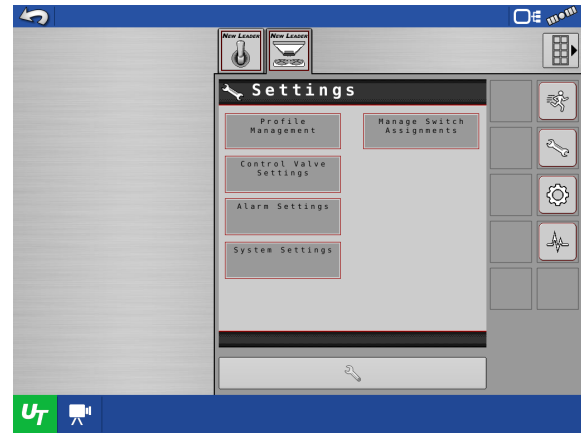
NOTE: This function allows the operator to run same product out of two bins, chaining them together so bin 2 starts emptying immediately after bin 1 is empty.

1. Power up Display Monitor and activate VT.

- The Run screen will appear. Press  to continue.



- The Tools main screen will appear. Press  to continue.



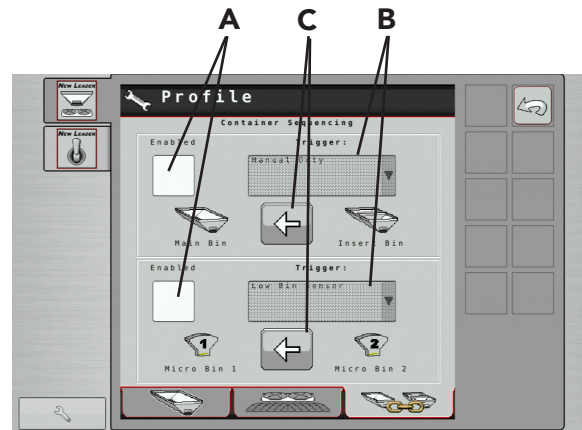
- Press the Bin Chaining tab at the bottom of the screen to continue.



2. Setup Bin Sequencing (Chaining):

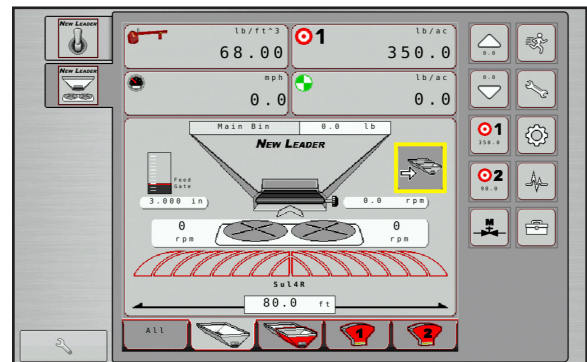
- A. Enable bin chaining for Bins 1 & 2, or Bins 3 & 4 as applicable.
- B. Select trigger type (Manual Only, Low Bin Threshold, Low Bin Sensor, Container Reaches 0).
- C. Select which bin to empty first by pressing arrow button until arrow points to second bin to empty. Figure at right shows Insert Bin emptying first and Main Bin second; Micro Bin 2 emptying first and Micro Bin 1 second.

Press  to continue.



3. To manually switch bins:

- When Bin Sequencing is enabled, Manual Override button appears on Run Screen to force switch over to next bin.



General Alarms

Alarm	Title	Description
WSM Spreader Module	Local CAN Bus Error	Check the local CAN bus connection.
WSM Spreader Module	Module Software Reset	The module software reset due to an unhandled error.
WSM Spreader Module	Local CAN Bus Warning	Check the local CAN bus connection.
WSM Spreader Module	Local ISOBUS Error	Check the ISOBUS connections.
WSM Spreader Module	Local ISOBUS Warning	Check the ISOBUS connections.
WSM Spreader Module	CAN Power Voltage Low	The CAN power voltage is below 8.0 volts. Check CAN bus power supply.
WSM Spreader Module	High Power Voltage Low	The high power voltage is below 10.0 volts. Check high power supply connections.
WSM Spreader Module	Bin Not on Bus	Bin set as installed is not on bus. Check wiring or edit the profile.
WSM Spreader Module	Body Module Offline	The body module is no longer available. Check power supply and communication wiring.
WSM Spreader Module	Module Indexing Failure	System has not indexed itself properly. This can be caused by a missing index pin in the cabling.

General Product Control Alarms

Alarm	Description	Trigger
Rate sensor error during calibration	"Calibration error, lost or intermittent signal from rate sensor. Check sensor and related wiring prior to calibrating conveyor."	Rate sensor signal is lost for a period of two or more consecutive seconds during the Static Conveyor Calibration Routine.
Rate Sensor Error During Conveyor Flush	"Lost or intermittent signal from rate sensor. Check sensor and related wiring prior to continuing Conveyor Flush Routine."	Rate sensor signal is lost for a period of two or more consecutive seconds during the Conveyor Flush Routine.
Low Bin Sensor	"Low Bin Sensor." [Channel Name].	Bin Level Sensor is installed, metering circuit is commanded on, and the product in the bin does not cover the sensor for a consecutive period of time greater than current [Low Bin Time Delay] setting.
Disable Spinners	"Manually disable or shut off the spinner hydraulic circuit."	At the beginning of the Static Conveyor Calibration and Conveyor flush routine.
Enable Spinners	"Return the spinner hydraulic control to a field ready condition. The spinners will now restart."	At the end of the Static Conveyor Calibration routine and Conveyor flush routine.
Boundary Spinner Not Responding	"Boundary Spinner Not Responding." + [Spinner Name].	Automatic control for spinners must be enabled. At least one conveyor must be commanded on. Perceived spinner speed is greater than 30RPM in error from the [Boundary Spreading Spinner RPM Offset].
Rate Not Responding	"Rate Not Responding" + [Channel Name].	Control channel is commanded on using automatic control mode. Application rate is +/- [Rate Not Responding Threshold] from target rate for a period of [Rate Not Responding Timeout] or more.
Maximum Conveyor Speed	"Conveyor At Maximum RPM, Slow Down" + [Channel Name].	Product channel is commanded on and conveyor is run at or above maximum speed for a period of 5 or more consecutive seconds.
Minimum Conveyor Speed	"Conveyor At Minimum RPM", + [Channel Name].	Product channel is commanded on and conveyor is run at or below minimum speed for a period of 5 or more consecutive seconds.
Conveyor Not Responding	"Conveyor Running While Turned Off" + [Channel Name].	Product bin is commanded off and conveyor speed >0 and <1 RPM for a period of 30 or more consecutive seconds. Or conveyor speed is >=1 RPM for a period of 5 or more consecutive seconds.

Spinner Alarms

Alarm	Description	Trigger
CLF Basic Single Spinners Not Responding	"Spinners Not Responding"	Automatic control for spinners must be enabled. [CLF Mode] [Basic Single] must be selected. At least one product bin must be commanded on. Perceived spinner speed is greater than 30 rpm in error from [Target Spinner Speed] for a period of five consecutive seconds or longer.
CLF Basic Independent Spinners Not Responding	"Spinner Not Responding" + [Spinner Name]	enabled. [CLF Mode] [Basic Independent] must be selected. At least one product bin must be commanded on. Perceived spinner speed is greater than 30 rpm in error from [Target Spinner Speed] for a period of five consecutive seconds or longer.
Spinners Off	"Stop Application, Spinners Off!"	CLF is enabled, no spinner speed detected, one or more control channels is commanded on.
Spinners On	"Turn spinner switch off to prevent spinners from running!"	Upon system start up, [CLF Mode] enabled, spinner functionality switch detected in the ON position.

Fan Frame Alarms

Alarm	Description	Trigger
Fan Frame Not Calibrated	"Fan Frame must be calibrated prior to operation." + [Sensor Name]	[Fan Frame Enable/Disable] is Enabled, equipment profile is active and Fan Frame position sensor has not been calibrated.
Fan Frame Movement	"Fan Frame may move at this time. Keep clear of Fan Frame."	Upon startup, equipment profile is first activated, [Fan Frame Enable/Disable] is Enabled, and Swath Calibration has been completed -or- upon user adjustment of the [Target Fan Frame] setting.
Fan Frame Movement During Calibration	"Fan Frame will move during calibration."	Fan Frame calibration routine has been initiated, and system has been signaled to move Fan Frame.
Home Position Sensor Failure During Application	"Home Position Sensor Error. Check Sensor and Wiring."	Conveyor is commanded on, Position Sensor signal is lost during application.
Fan Frame Not Responding	"Fan Frame Not Responding." + [Sensor Name]	Conveyor is commanded on, Fan Frame is commanded to move, and no change in position is detected from the position sensor for five consecutive seconds or longer.
Fan Frame Outside Expected Operating Range	"Fan Frame position sensor outside expected operating range. Check sensor and wiring." + [Sensor Name]	Upon user acknowledgement, dialog is dismissed. System allows product application at current Fan Frame position.
No Feedback from Position Sensor	"No Feedback from Position Sensor." + [Sensor Name]	Conveyor is commanded on and system is not receiving feedback from position sensor.

Feed Gate Alarms

Alarm	Description	Trigger
Feed Gate Not Calibrated	"Feed Gate must be calibrated prior to operation." + [Bin Name]	[Feed Gate Enable/Disable] is Enabled, equipment profile is active and feed gate actuator has not been calibrated.
Feed Gate Movement	"Feed Gate may move at this time. Please keep clear of feed gate." + [Bin Name]	Upon user acknowledgement, dialog is dismissed and warning flashes on interval in the status bar until corresponding feed gate calibration is complete.
Feed Gate Movement During Calibration	"Feed gate will move during calibration. Please wait."	Upon user acknowledgement, system moves feed gate.
Feed Gate Not Responding	"Feed Gate not responding." + [Bin Name]	Upon user acknowledgement, dialog is dismissed. System allows product application at current feed gate position.
Feed Gate Sensor Outside Expected Operating Range	"Feed Gate sensor outside expected operating range. Check sensor, and related wiring." + [Bin Name]	Upon user acknowledgement, dialog is dismissed. System allows product application at current feed gate position, and feed gate control is disabled.
Feed Gate Position Sensor Error During Calibration Routine	"Lost or intermittent signal from feed gate position sensor. Check sensor and related wiring prior to continuing calibration routine."	Upon user acknowledgement, calibration routine is exited.
No Feedback from Position Sensor	"No Feedback from Position Sensor." + [Bin Name]	Upon user acknowledgement, dialog is dismissed. System allows product application at current position.
Feed Gate out of Position (Position Sensor Reporting Wrong Position)	"Feed Gate Out of Position."	Upon user acknowledgement, dialog is dismissed. System allows product application at current position.
Feed Gate Circuit Disabled	"Feed Gate Circuit Disabled." "Pressing acknowledge will enable and allow feed gate to move. Do you wish to proceed?"	Upon user acknowledgement, dialog is dismissed. System sets feed gate circuit to "Enabled", Feed Gate movement dialog is presented and system moves feed gate to user defined Feed Gate Height setting.

Hydraulic Alarms

Alarm	Description	Trigger
Conveyor Hydraulic Pressure Exceeds Maximum	"Conveyor Hydraulic Pressure Exceeds Maximum Operating Range."	Conveyor hydraulic pressure exceeds [Max Conveyor Hydraulics Pressure] setting for a period of five consecutive seconds or longer.
System Hydraulic Pressure Exceeds Maximum	"System Hydraulic Pressure Exceeds Maximum Operating Range."	System hydraulic pressure exceeds [Max System Hydraulics Pressure] setting for a period of five consecutive seconds or longer.
Hydraulic Fluid Level Low	"Hydraulic Fluid Level Low."	Hydraulic fluid level has fallen below lowest level tank sensor.
Hydraulic Fluid Temperature Below Minimum	"Hydraulic Fluid Temperature Below Minimum Operating Range."	Hydraulic temperature is below 65°F (18°C). Hydraulic fluid too cold to operate machine.
Hydraulic Fluid Temperature Exceeds Maximum	"Hydraulic Fluid Temperature Exceeds Maximum Operating Range."	Hydraulic temperature exceeds maximum operating range, greater than or equal to 200°F (93°C).
Hydraulic Filter Restriction Detected	"Hydraulic Filter Restriction Detected."	Hydraulic filter pressure is greater than or equal to 25 psi for five consecutive seconds or longer.

Bin Sequencing Alarms

Alarm	Description	Trigger
Container Advance	Moving to next container in the sequence.	At the point when the [Container Advance] criteria has been met.
End of Sequence	End of container sequence, do you wish to start the sequence from the beginning?	At the point the last container in the sequence has met the [Container Advance] criteria.

Chain Oiler Alarms

Alarm	Description	Trigger
Disable Spinners	Manually disable or shut off the spinner hydraulic circuit.	The point the user selects to run the chain oiler routine.
Enable Spinners	Return the spinner hydraulic circuit to a field ready condition.	The point the user exits the chain oiler routine.
Conveyor Lubrication Required	Conveyor Chain Lubrication Is Required.	[Service Reminder On] setting is enabled and [Service Reminder Interval] has expired.

Controller Operations

Default Settings

NOTE: Compatible Insert Bin configurations vary per model. See "General Description" in Operations section of this manual for details.

Refer to "Dimensions & Capacities" in Operations section of this manual for capacities on all applicable bin configurations.

Pressure Transducer Settings	
Min PSI	0
Max PSI	5000
Min voltage	1
Max voltage	5

Spinner Settings	
PWM Frequency	50 Hz
Zero Flow Offset	30
PWM Gain	20

Spinner Settings	
PWM Frequency	30 Hz
Zero Flow Offset	
PWM Gain	

Calibration

CFR Values	
Bin	Value
Main Bin	0.256
Insert Bin	0.144
Yellow Micro Bin	0.038
Red Micro Bin	0.019

Control Valve Settings				
Control Variable	Control Valve			
	Main	Insert	Micro 1	Micro 2
Control Valve Type	Servo	Servo	Servo	Servo
Valve Response 1	40	40	40	40
Valve Response 2	8	8	8	8
Response Threshold	4.0	4.0	4.0	4.0
Allowable Error	1	1	1	1

Sensor Settings	
Encoder pulses	180 or 360 - verify by looking on encoder
Spinner pulses	4

Alarms

Alarm Settings				
Alarm Variable	Bin			
	Main (PSI)	Insert (PSI)	Micro 1 (PSI)	Micro 2 (PSI)
Min Conveyor Speed	5	5	3	3
Max Conveyor Speed	50	60	85	85
Max Conveyor Pressure - Std Hydraulics	2000	2000	-	-
Max Conveyor Pressure - HP Hydraulics	3400	2000		
Rate Responding Time	5	5	5	5
Rate Responding Threshold	30	30	30	30
Max System Pressure - Spinner	3100	-	-	-

This page is intentionally left blank.

**SPREAD
PATTERN**

Spread Pattern

⚠ WARNING

Use great caution while working around the spreader. Contact with spinners and other moving parts is very dangerous. Do not adjust while machinery is moving, wear eye protection and avoid discharge from spinners. Do not ride on moving spreader. Failure to comply with this requirement could result in death or serious injury.

A Catch Test is required prior to each season, before using a new product, or if a significant visible change has occurred with a product.

Catch Test

The CFR number, or cubic feet per revolution number, is a calibration number entered into the controller to determine rate output from the spreader's conveyor. A catch test is performed to verify accurate rate output per the controller.

NOTE: An optional calibration chute (P/N 312688) is available to simplify the catch test process. The calibration chute fits all New Leader spreader models with 30" wide conveyor bottoms. Contact your local New Leader dealer for details.

⚠ WARNING

To prevent injury, disable the spinners by unplugging the PWM valve before beginning the catch test procedure. Failure to comply with this requirement could result in death or serious injury.

1. Disable the spinners by unplugging the PWM valve(s).
2. Move the spinner assembly to the 4" (102 mm) position.
3. Remove the Material Divider back plate, and Vane Assembly (if applicable). Install calibration chute if available.
4. Position an end loader or other suitable device beneath the spinners to catch material.
5. Load material into all applicable bins.
6. Prime the conveyor as specified per the controller.
7. If using a calibration chute, run the conveyor just until material reaches the end. Remove any excess material that falls into the catching device.
8. If not using a calibration chute, run the conveyor until the spinner discs are full of material. Remove any excess product from the catching device. Do not remove material from spinner discs.
9. Measure the depth of material on the end of the conveyor to verify the constant number feedgate height information entered into the controller. Adjust feedgate height or recalibrate feedgate as necessary.
10. Verify that all other product settings entered into the controller are correct.
11. Select the correct bin in the controller for the first bin to be tested. Enter the anticipated weight of product to be dispensed from the conveyor.
12. Start the engine and engage hydraulics. Allow to run for several minutes to bring hydraulic oil up to operating temperature. Bring engine up to operating RPM.
13. Following the setup wizard on the controller, run the catch test. The conveyor will start dispensing material, and automatically shut off when the estimated amount of product is dispensed.
14. If not using a calibration chute, leave the material on the spinner discs. Weigh the amount of product that the conveyor actually dispensed into the catching device, and note the result.
15. Enter the actual weight of material dispensed into the controller. The controller will then automatically perform the calibration.
16. Repeat Steps 5 - 12 for all other applicable bins, if an insert bin is installed.
17. Once satisfactory results have been achieved for all applicable bins, turn the engine off, replace the back plate on the Material Divider, return the spinner assembly to its original position setting, and plug the PWM valve(s) back in.

NOTE: For more information on controller operations and setup, contact your local dealer.

Spread Pattern

⚠ WARNING

Use great caution while working around the spreader. Contact with spinners and other moving parts is very dangerous. Do not adjust while machinery is moving, wear eye protection and avoid discharge from spinners. Do not ride on moving spreader. Failure to comply with this requirement could result in death or serious injury.

NOTICE

Spinner assembly and material divider have NOT been adjusted at the factory. Before spreading material, spread pattern tests must be conducted to properly adjust the spread pattern. A spread pattern test kit is available for this purpose.
 THE MANUFACTURER OF THIS SPREADER WILL NOT BE HELD LIABLE FOR MISAPPLIED MATERIAL DUE TO AN IMPROPERLY ADJUSTED SPREADER.

Spread Pattern

Product quality will affect spread pattern and product performance. Spread pattern testing is required to ensure proper application of material. Larger products will produce wider swath widths.

Spread pattern is adjusted using one or more of the following:

- Point of material delivery on spinner discs
- Spinner speed
- Angle of the distributor fins on the spinner discs

Since adjustments will vary for each job, trial and experience must be used to determine the adjustments required to obtain the swath width and spread pattern desired.

Spread Pattern Test Kit

Spread Pattern Test Kit, part no. 313960, includes the following:

DESCRIPTION	QTY	DESCRIPTION	QTY
Box - Plastic Storage	1	Scale – Density	1
Center Collection Tray - Blue	1	Data Sheet – 100 Ct. Booklet	1
Collection Tray - Brown	22	Funnel	1
Divider Screen	23	Flag	5
Assy – Test Tube Rack	1	Rope – 120' marked	1
Test Tube	23	Stake	2

NOTE: If desired, a material calibration kit is available to aid in measuring product quality. Contact your local dealer for details.

Spinners

NOTICE

Spinner discs and fins must be kept clean and polished. Even a small build-up on a spinner fin can significantly affect the spread pattern. Rusty, rough, bent or worn fins will produce poor spread patterns.

In general, critical spinner speed will fall somewhere between 600 and 900 RPM. Spinner speed is adjusted by changing the settings in the controller. Proper spinner speed adjustment is critical in obtaining optimal spread patterns. The best spinner speed to use will depend entirely on the material being spread, and must be determined by testing.

Spreader Preparation

The spreader to be tested must be in good mechanical condition and properly adjusted. Refer to operator's manual for details.

All damaged and worn parts must be replaced. Spinner discs and fins must be free of any material build-up, rust or paint.

Fill the hopper with the material to be spread. Run the material out to the end of the conveyor.

Set the feedgate and the in-cab controller to deliver the required rate per acre. Make sure the feedgate is level and the indicator reflects the actual gate opening measured by standing a tape measure vertically in the material.

NOTE: Do not match slope of endgate when making this measurement. Measurement must be perpendicular to conveyor.

Adjust the spinner assembly by turning the crank or, if an actuator is installed, change the setting in the controller. To begin testing, position the spinner according to following chart.

Spread Pattern

NOTE: This chart is to be used as a reference only to begin testing.

			SIMPLE START SETTINGS			
Material	Density	Ground Speed (mph)	Rate (lbs)	Feedgate (in)	Spinner Frame Setting	Spinner RPM
Lime	90	11*	1000-5000	6	.5"	600
			2000-8000	12	.5"	600
Urea	46	18	110	2.5	4	800
			225	2.5	3.5	800
			450	2.5	2.5	800
Corn Blend	53	18	125	2.5	3.5"	800
			250	2.5	2.5"	800
			500	2.5	0.7	800
All other fertilizer types and blends	64	18	150	2.5	3.5"	800
			300	2.5	2.5"	800
			600	2.5	1.2	800
* 15 mph when using high performance (HP) hydraulics.						

Test Procedure

Using the data sheets supplied with the kit, document all spreader information and adjustments as necessary. See Figure 1.

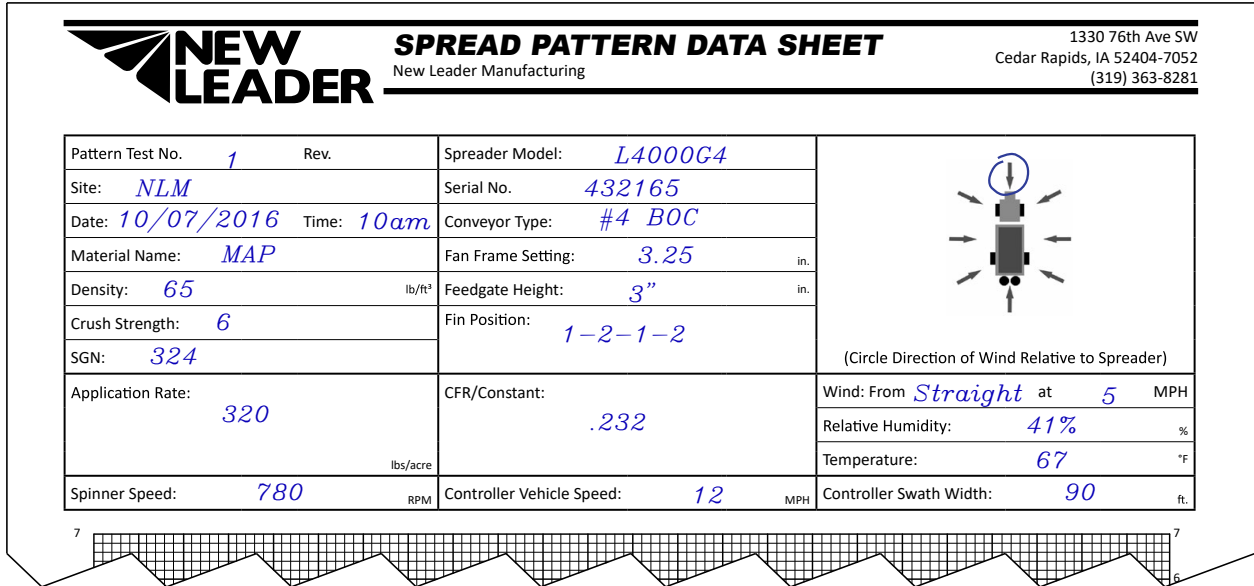


Figure 1

Select an area for testing measuring at least 120 feet x 200 feet (37 m x 61 m), and with a slope of less than two degrees.

All testing should be done when the wind velocity is less than 5 MPH (8.05 km). If wind is present, testing must be done with spreader traveling parallel (within ± 15 degrees) to the wind direction.

Do not allow loaded spreader to sit for more than one hour prior to testing.

At this stage of testing, drive the spreader over the collection trays in ONLY ONE DIRECTION.

Insert a plastic grid into each of the 23 collection trays. Position the blue collection tray in the center of the spreader's path with the longest dimension of the tray parallel to the direction of travel. Position the first left-hand and right-hand trays 10' (3m) from center, and all subsequent trays on 5' (1.5m) centers.

Spread Pattern

Four-Wheeled Vehicles

For four-wheeled application vehicles, position the spreader at the beginning of the course so that the vehicle will straddle the center collection tray. See Figure 2.

Engage spinners before navigating the course. As the vehicle approaches the flag positioned 75' before the row of collection trays, engage the conveyor(s). Do not shut the conveyor(s) off until the vehicle approaches the second flag.

Drive spreader completely through course at normal operating speeds.

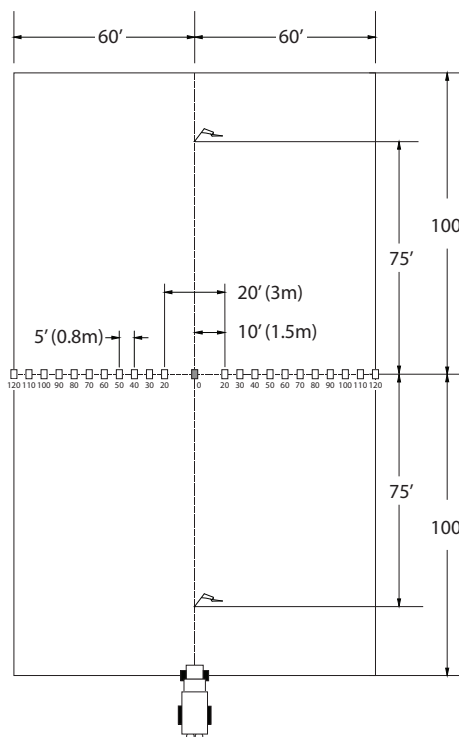


Figure 2 – Four-Wheeled Vehicles

Three-Wheeled Vehicles

For three-wheeled application vehicles, straddling the center tray is not possible. Place the center collection tray beneath the vehicle just behind the front tire when the spreader is in position at the beginning of the course. See Figure 3.

Engage both the spinners and conveyor(s) before navigating the course. Do not shut the conveyor(s) off until the vehicle approaches the second flag.

Drive spreader completely through course at normal operating speeds.

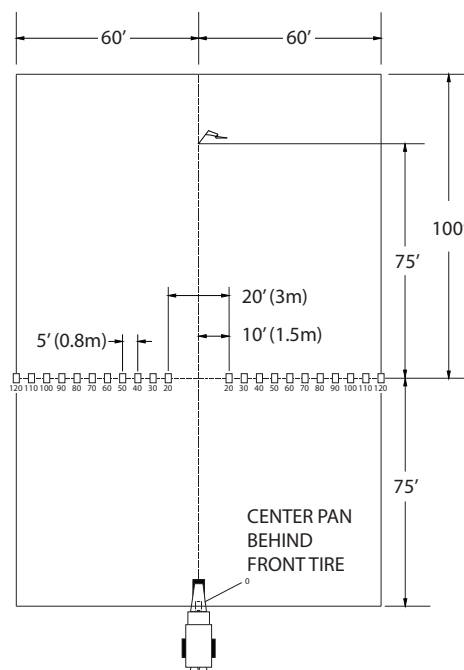


Figure 3 – Three-Wheeled Vehicles

Spread Pattern

Test Results

After navigating the course, shut the spreader down and park in a secure location.

Using the funnel, transfer the contents of each collection tray into its corresponding test tube beginning at one end of the trays and working towards the opposite end.

If spreading a blend of materials, inspect all tubes to determine if the blend is consistent across the entire swath width. If the blend is not consistent, use a narrower swath width. The swath width should be based on the material thrown the shortest distance.

Record each test tube's volume in the box on the data sheet under the corresponding tray position and graph the spread pattern profile. See Figure 4.

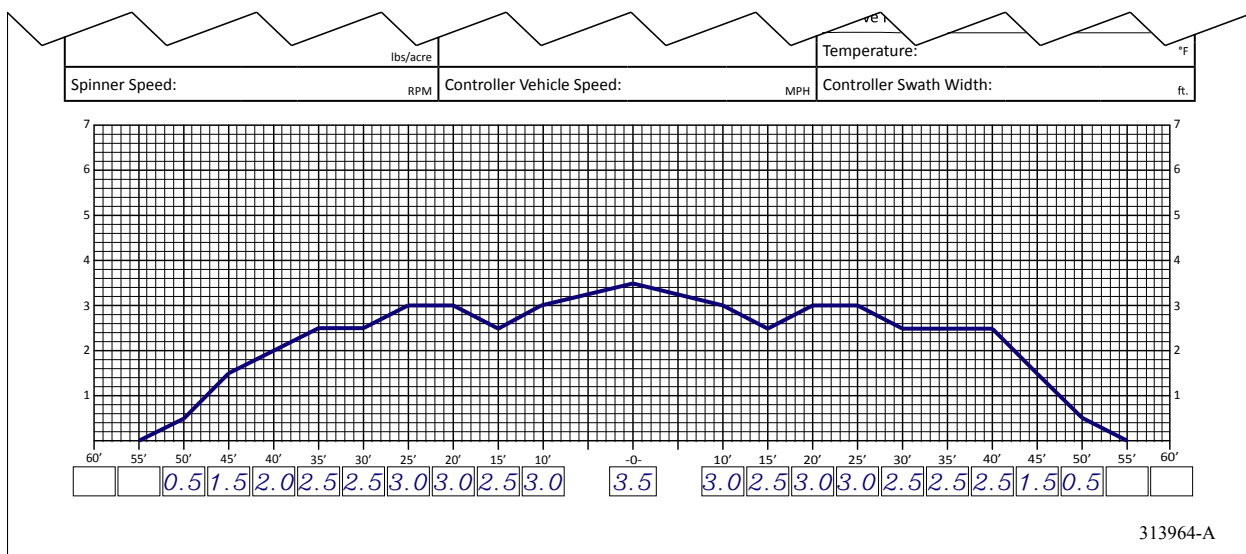


Figure 4

Looking at the material in the test tubes and the graphed profile on the data sheet, compare the overall shape of the spread pattern to the three acceptable patterns, shown in Figure 5. If an acceptable pattern has not been achieved, proceed to "Troubleshooting". Once an acceptable pattern has been achieved, proceed to "Determining Driving Centers".

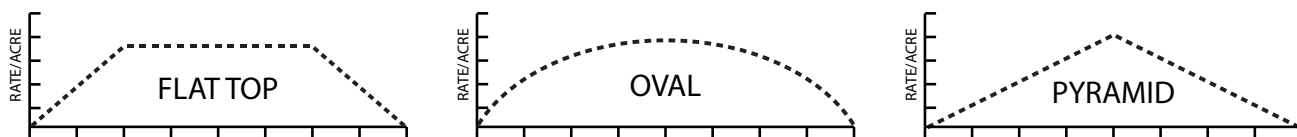


Figure 5 – Acceptable Patterns

Spread Pattern

Troubleshooting

NOTE: It is highly recommended that ONLY ONE ADJUSTMENT be made between test samples taken. If more than one adjustment is made, it will be difficult to determine which adjustment was responsible for the change in pattern shape.

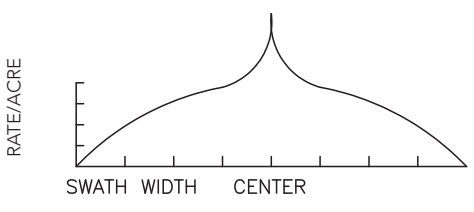
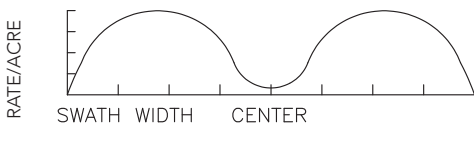
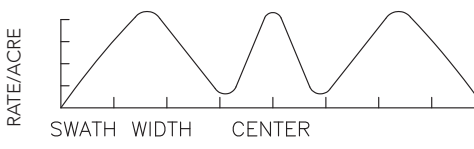
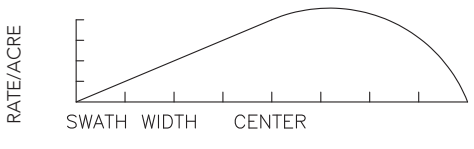
Problem	Pattern	Recommended Adjustments
Heavy Directly Behind the Vehicle		<ol style="list-style-type: none"> 1. Move the spinner forward (toward the conveyor).
Light Directly Behind the Vehicle		<ol style="list-style-type: none"> 1. Move the spinner rearward (away from conveyor).
Light Outside Vehicle's Tire Tracks		<ol style="list-style-type: none"> 1. Check spinner fins for material buildup, rust or paint. 2. Increase spinner RPM. 3. Move spinner fins to 2 - 3 - 2 - 3 positions. See Figure below.
Pattern Off Center		<ol style="list-style-type: none"> 1. Check to see feedgate is level and free of caked material. 2. Make sure hillside divider spinner assembly and material divider are mounted squarely and centered. 3. Testing should be done parallel to wind.

Figure 6

Spinner fins are adjustable to radial angle as shown in Figure 7. Refer to Figure 6 for fin adjustment recommendations.

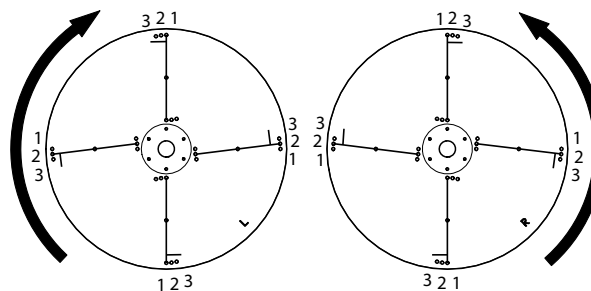


Figure 7 - Spinner Fin Adjustment

Spread Pattern

Determining Driving Centers

Once an acceptable pattern is obtained, as shown in Figure 5, driving centers can be determined. To determine optimum driving centers (effective swath width), determine the average amount of material in the center of the pattern. Figure 8 shows an example data sheet recorded from the profile shown in Figure 9. Based on the example, the average amount of material in the center of the pattern is 3.0, as indicated with the red dotted line.

Next, locate the points on both the left and right side of the pattern where the amount of material is half the average amount at the center of the pattern. In the example shown in Figure 8, these points are located 45' to the left of center, and 45' to the right of center. The distance between these two points (90') represents the driving centers to use.

NOTE: Once the effective swath width has been established, a change in the controller may be required.

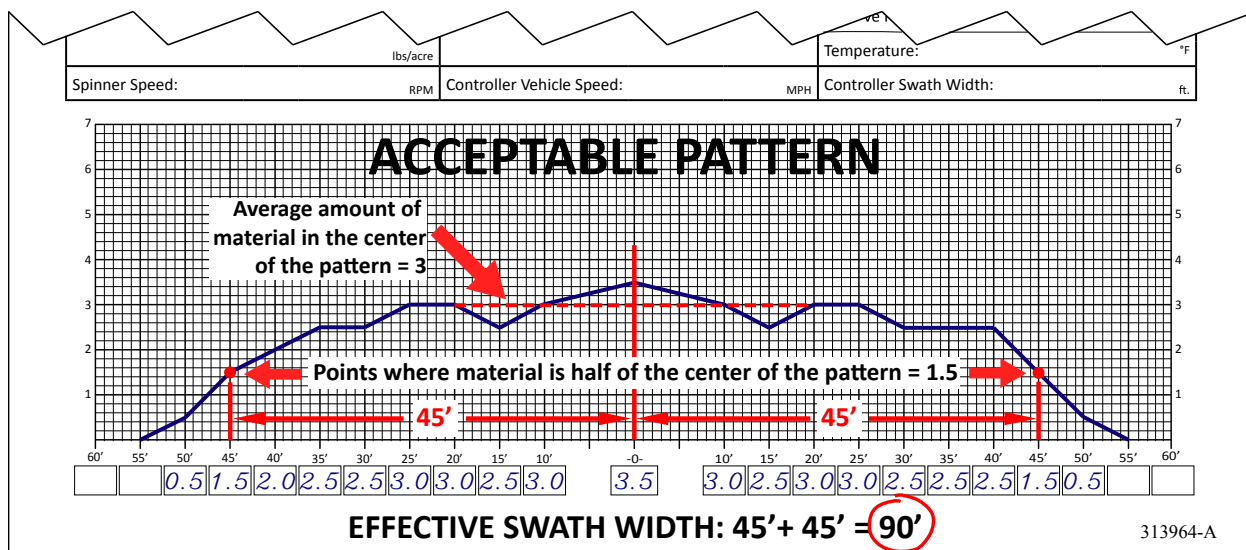


Figure 8 - Effective Swath Width

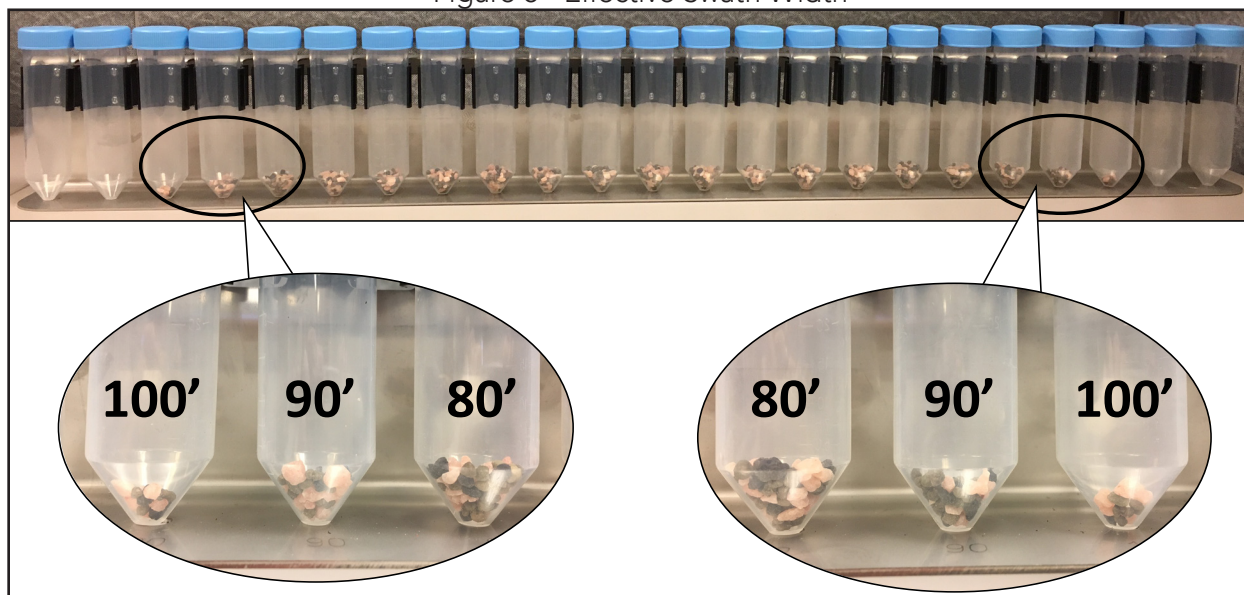


Figure 9

Spread Pattern

Verifying Driving Centers

Once optimum driving centers (effective swath width) have been established, conduct a final "S" pass over the trays to verify. Refer to Figure 10.

1. With both the spinners and conveyor turned off, drive the spreader through the center of the course, establishing an "AB" line. If the spreader vehicle is a three-wheel type, remove the center pan.
2. Line the vehicle up with either end of the row of collection trays, at a distance from the "AB" line equal to the effective swath width.
3. With both the spinner and conveyor engaged, drive past the trays.
4. Switch back and drive over the center of the trays, down the "AB" line.
5. Drive through the row of trays and switch back once again, driving past the trays on the opposite side, at an equal distance from the "AB" line as the first pass.

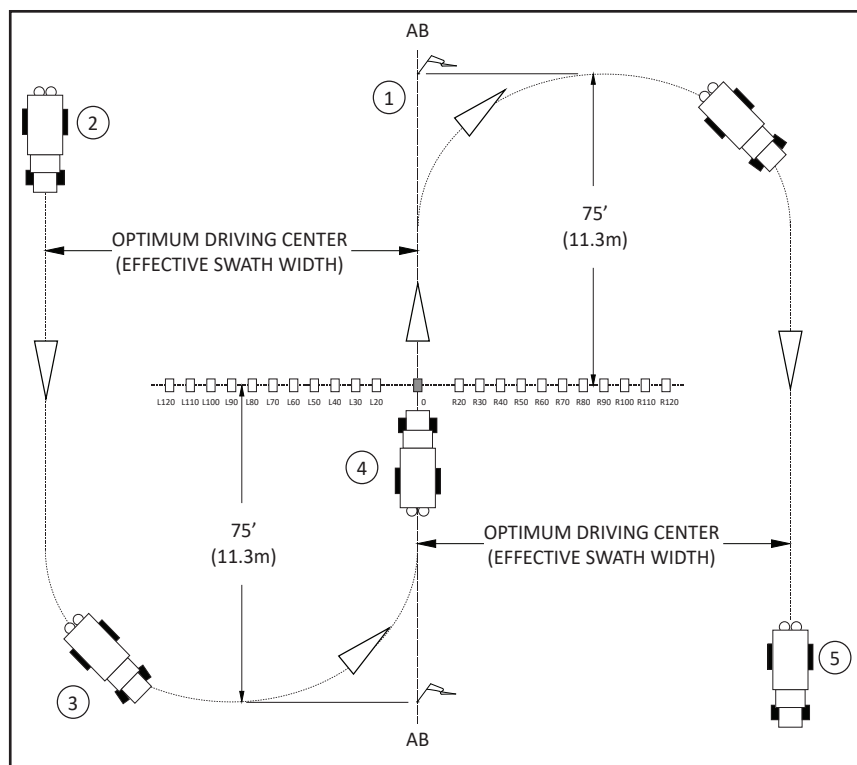


Figure 10

If the driving centers were determined correctly, all trays should have a similar amount of material, showing a near flat profile in the test tubes. If the trays near the center of the row contain more material than the others, increase driving centers. If the trays near the center of the row contain less material, decrease driving centers.

NOTE: If spreading a blend of materials, verify blend of all products is consistent across all tubes.

PARTS

Instructions for Ordering Parts

Order from the **AUTHORIZED DEALER** in your area.

Always give the pertinent model and serial number.

Give part name, part number and the quantity required.

Give the correct address to where the parts are to be shipped, and the carrier if there is a preference.

Unless claims for shortages or errors are made immediately upon receipt of goods they will not be considered. Any part returns should be directed through the dealer from which they were purchased.

When broken goods are received, a full description of the damage should be made by the carrier agent on the freight bill. If this description is insisted upon, full damage can always be collected from the transportation company.

No responsibility is assumed for delay or damage to merchandise while in transit. Our responsibility ceases upon delivery of shipment to the transportation company from whom a receipt is received showing that shipment was in good condition when delivered to them, therefore, claims (if any) should be filed with the transportation company and not with Highway Equipment Company.

If your claims are not being handled (by the transportation company) to your satisfaction, please call our Product Sales & Support Department at Highway Equipment Company at (800) 363-1771 for assistance.

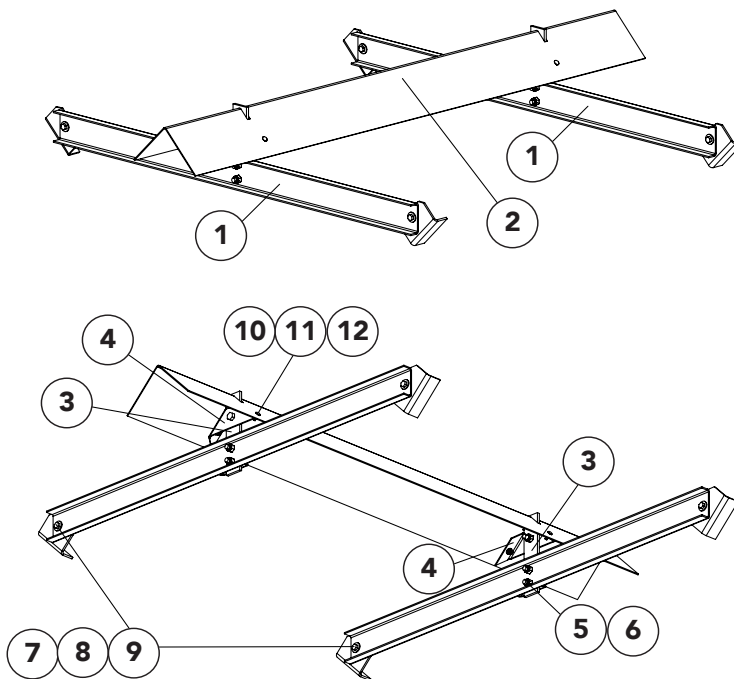
In the parts list the following symbols and abbreviations stand for:

* - Not Shown
AR – As Required
CS – Carbon Steel
SS – Stainless Steel
NS – Not Serviced

The parts listed under the different steel types (CS, 409 SS and 304 SS) are for that type of unit and do not necessarily mean the part is made of that type of steel.

Body

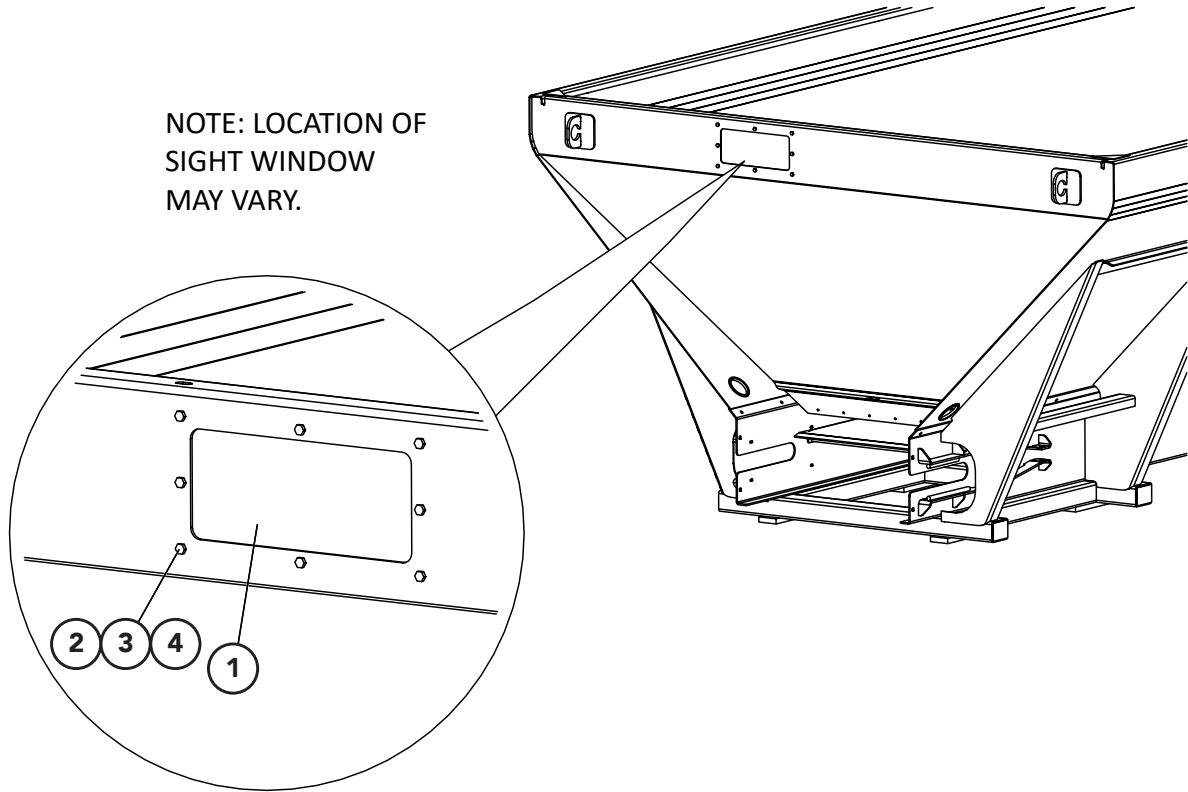
Inverted "V"



ITEM	PART NO.	DESCRIPTION	QTY
	304 SS		13'-14'
1	81263	Hanger – V Wldmt	3
2	82623	Inverted V – 9'	1
3	308646	Bar – Adjusting	3
4	302371	Bracket – V Bolt-on	3
5	58800	Cap Screw – 5/8-11NC x 1-3/4 SS	9
6	41762	Nut - Lock 5/8-11NC SS	9
7	36402	Cap Screw - 1/2-13NC x 1-1/4 SS	6
8	36426	Washer - Flat 1/2 SS	6
9	39016	Nut - Lock 1/2-13NC SS	6
10	42639	Bolt - Carriage 5/16-18NC x 1 SS	6
11	36424	Washer - Flat 5/16 SS	6
12	42221	Nut - Lock 5/16-18NC SS	6

Sight Window

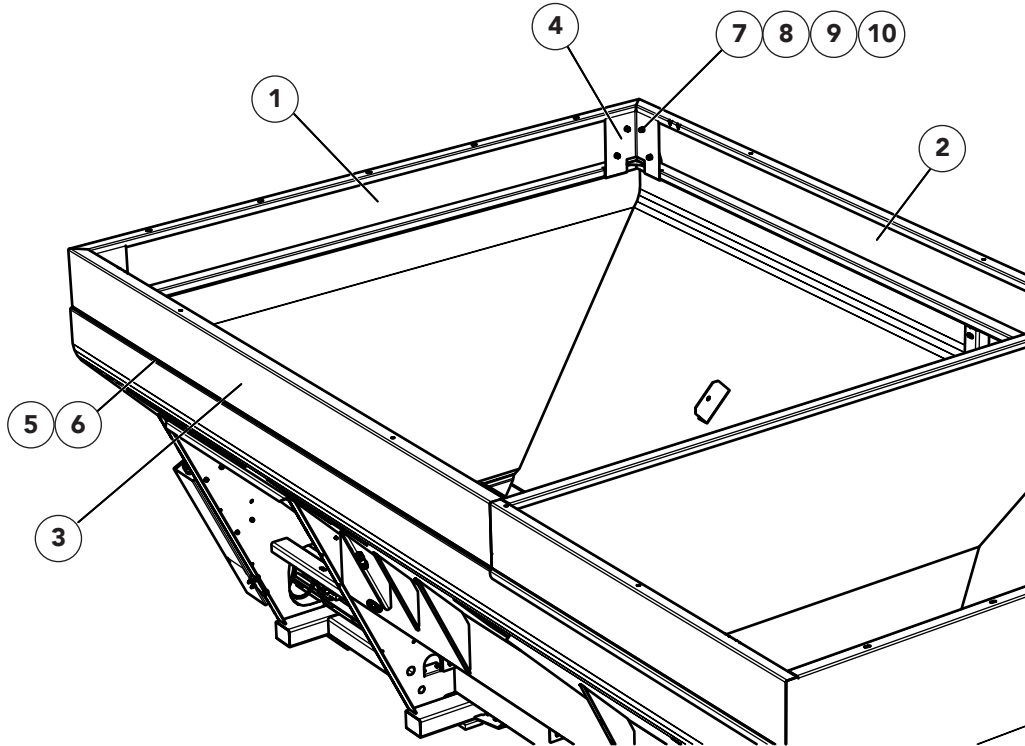
NOTE: LOCATION OF SIGHT WINDOW MAY VARY.



<u>ITEM</u>	<u>PART NO.</u>	<u>DESCRIPTION</u>	<u>QTY</u>
1	302686	Window - Sight 5" x 12"	1
2	36395	Cap Screw - 1/4-20NC x 1 SS	8
3	36423	Washer - Flat 1/4 SS	8
4	42034	Nut - Lock 1/4-20NC SS	8

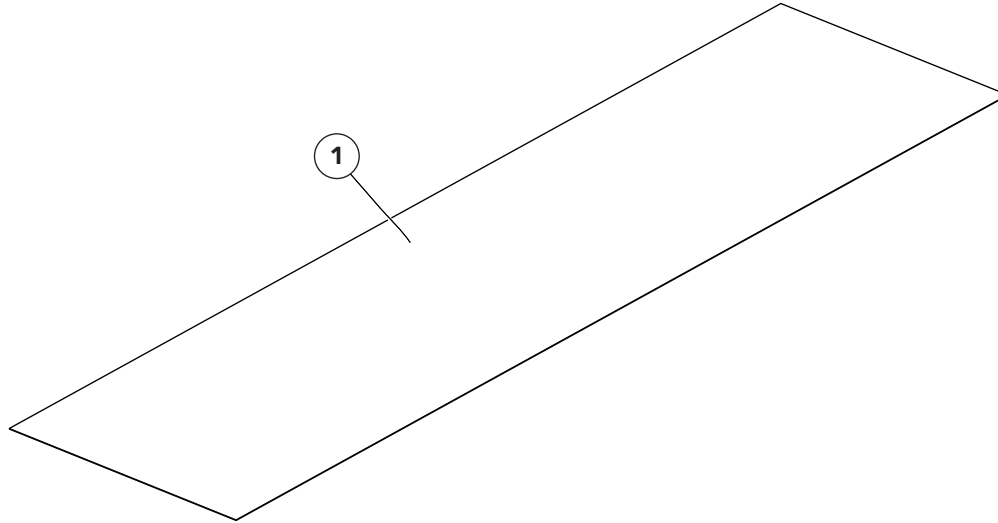
Body

Side Boards - With Insert



ITEM	PART NO.	DESCRIPTION	QTY
	98746	Kit - Hardware Side Boards SS, Includes Items 7 - 10	1
1	312601	Side Board - Wldmt 102"	1
2	312922	RH Side Board Wldmt - 5'	1
	312924	RH Side Board Wldmt - 6'	1
	312602	RH Side Board Wldmt - 7'	1
	312926	RH Side Board Wldmt - 8'	1
	312928	RH Side Board Wldmt - 9'	1
3	312923	LH Side Board Wldmt - 5'	1
	312925	LH Side Board Wldmt - 6'	1
	312603	LH Side Board Wldmt - 7'	1
	312927	LH Side Board Wldmt - 8'	1
	312929	LH Side Board Wldmt - 9'	1
4	86867	Pocket - Side Board	2
5	53950	Rubber - 1/4 x 2-1/4	AR
6	96254-AB	Adhesive - Blk Cyanoacrylate*	AR
7	36398	Cap Screw - 3/8 x 1	12
8	36425	Washer - Flat 3/8 SS	12
9	36420	Washer - Lock 3/8-16 NC SS	12

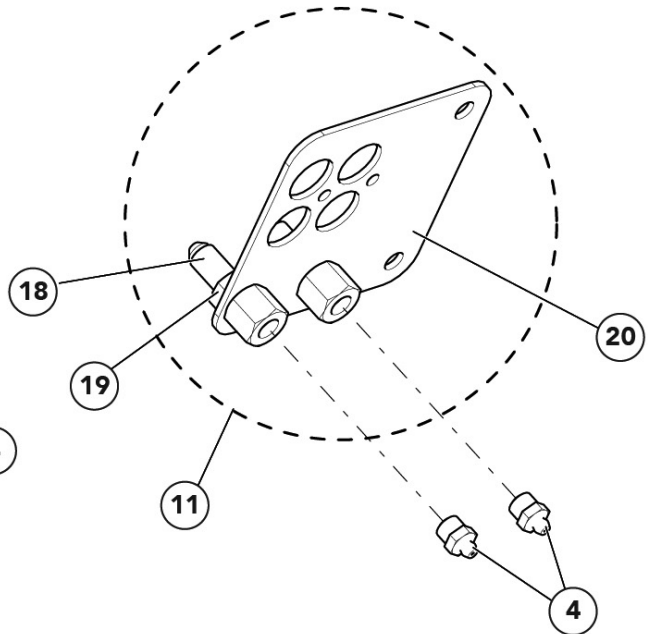
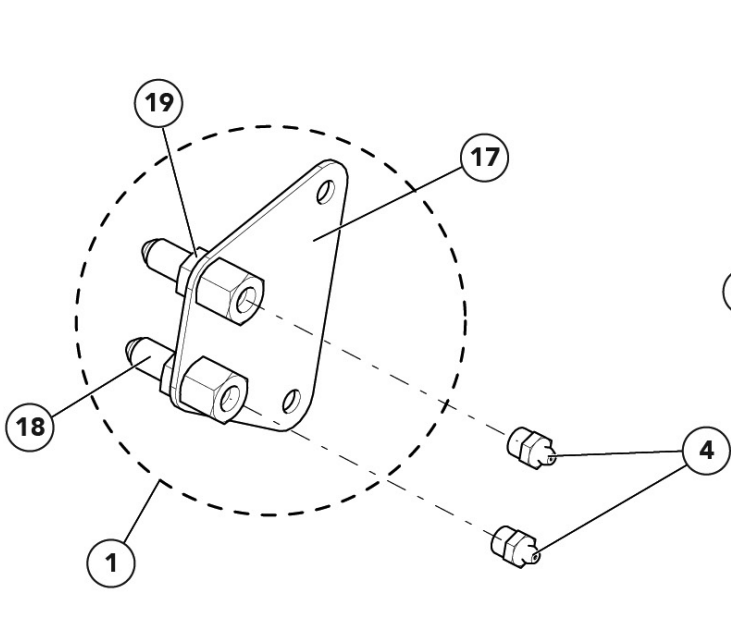
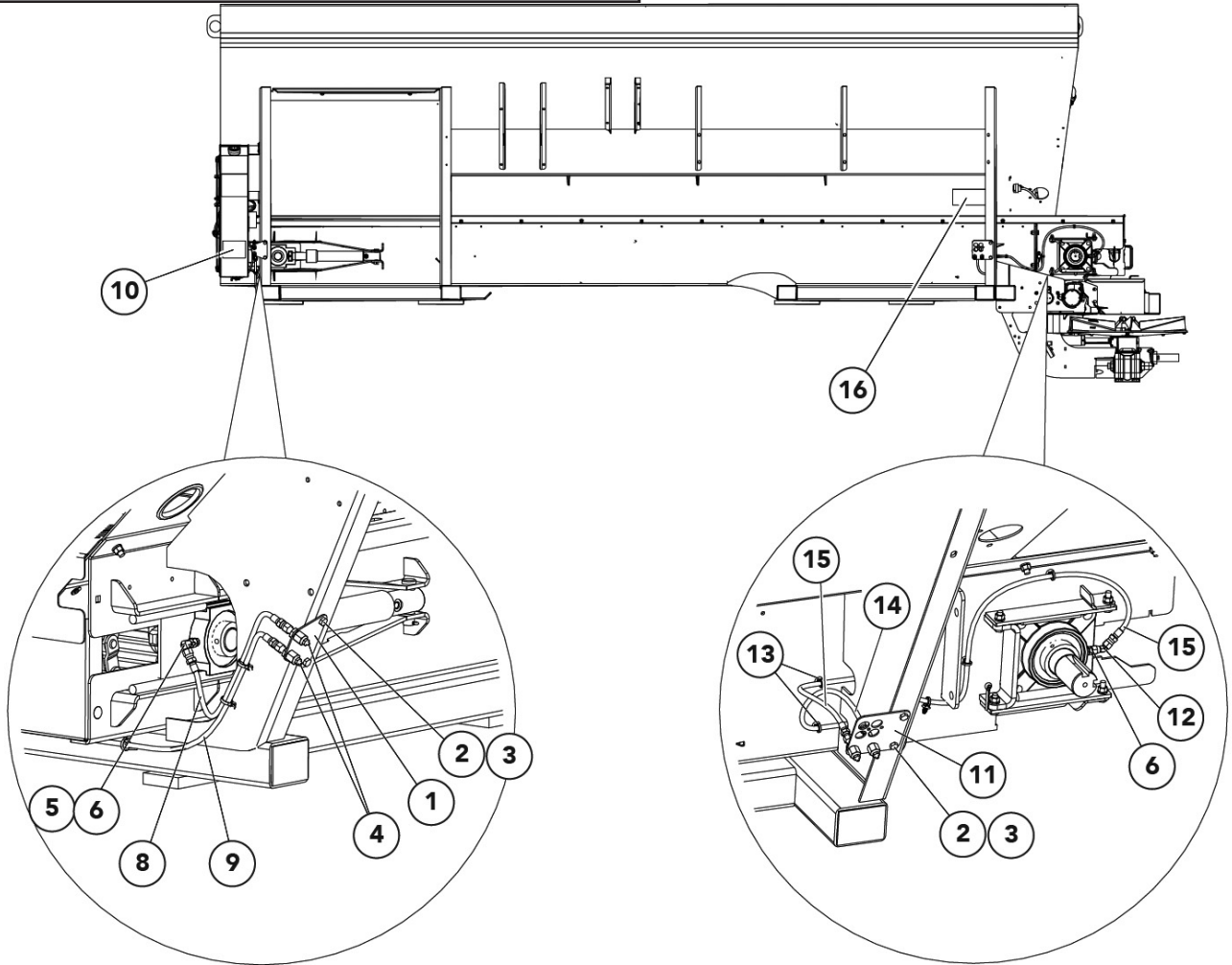
Frame Cover



<u>ITEM</u>	<u>PART NO.</u>	<u>DESCRIPTION</u>	<u>QTY</u>
1	56339-AA	Panel - Underbody 13ga 201 34 x 124	1
	56339-AB	Panel - Underbody 13ga 201 34 x 144	1
	56339-AC	Panel - Underbody 13ga 201 34 x 156	1

Body

Lubrication

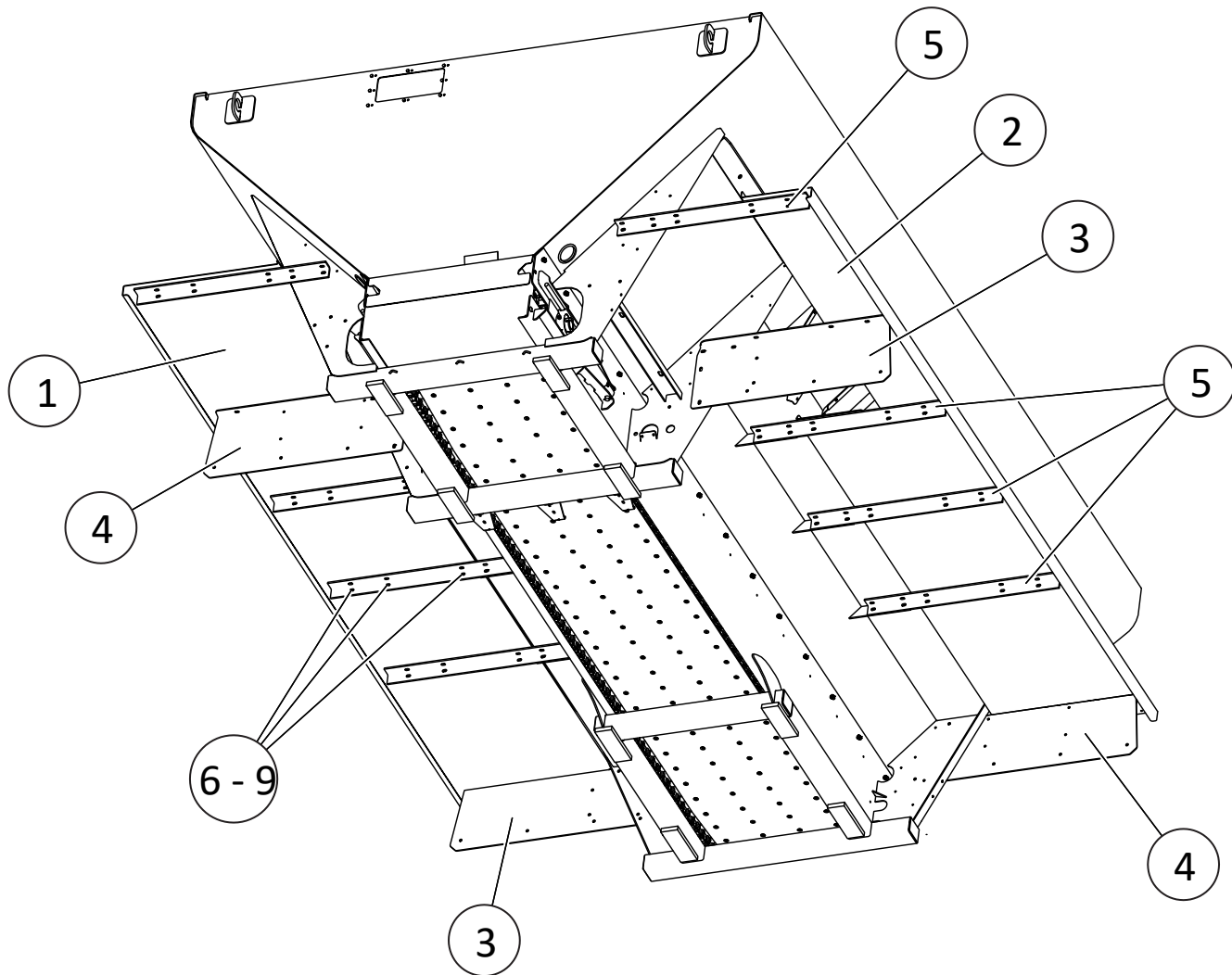


Lubrication Cont.

<u>ITEM</u>	<u>PART NO.</u>	<u>DESCRIPTION</u>	<u>QTY</u>
1	313913	Lube Bank - Assy 2 Position, Includes Items 17 - 19	1
2	56858	Cap Screw - 5/16-18NC x 3/4 SS	4
3	42221	Nut - Lock 5/16-18NC SS	4
4	313917	Zerk - Grease 1/8-27 NPT 304	4
5	34787	Fitting - 4-2 070102	4
6	34868	Fitting - 4-4 070221	2
7	99674	Tie - Wire	8
8	313663	Hose - Assy LH Front Bearing	1
9	313664	Hose - Assy RH Front BearinG	1
10	311814	Decal - Lubrication Chart	1
11	313914	Lube Bank - Assy 6 Position, Includes Items 18 - 20	1
12	313501	Fitting - 4-4 070321	2
13	311806	Tie - Wire Fir Tree	14
14	313665	Hose - Assy RH Rear Bearing	1
15	313666	Hose - Assy LH Rear Bearing	1
16	313918	Decal - Lubrication Chart	1
17	313910	Plate - Lube Bank 2 Position 409	1
18	313916	Fitting - 4-2 Non-Standard	4
19	311489	Nut - Bulkhead 4 070118	4
20	313911	Plate - Lube Bank 6 Position 409	1

Body

Fenders

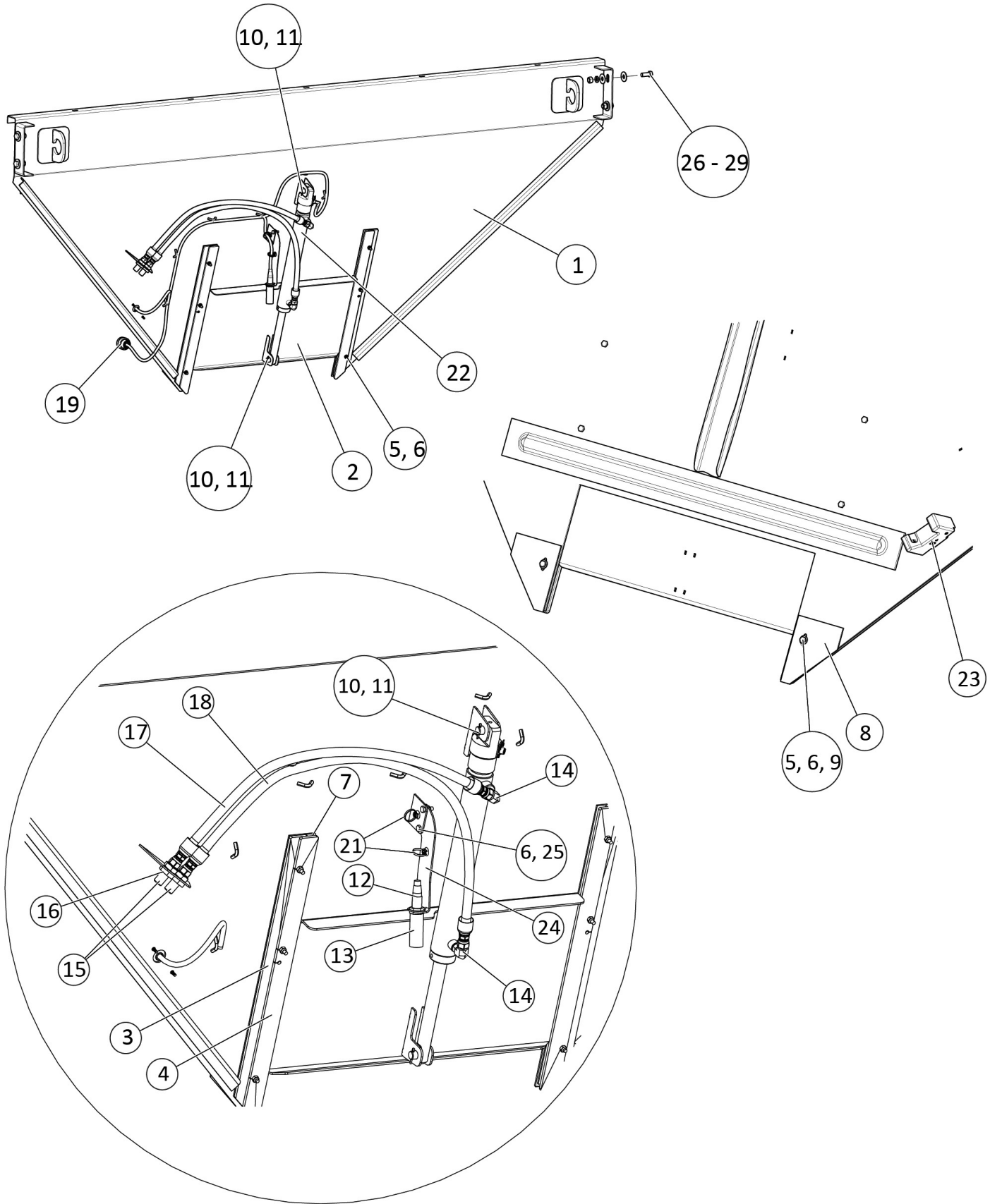


Fenders Cont.

ITEM	PART NO.		DESCRIPTION	QTY
	304 SS	409 SS		
	83115	83115	Kit - Hardware SS 11' - 13', Includes Items 6 - 9	1
1	311558	311528	Fender - 14' x 28" RH	1
2	311557	311527	Fender - 14' x 28" RH	1
3	96967	96967	Support - 304	2
4	96968	96968	Support - 304	2
5	96969	96969	Angle - Fender 304	8
6	36408	36408	Bolt - Carriage 3/8-16NC x 1 SS	63
7	36414	36414	Nut - Hex 3/8-16NC SS	63
8	36425	36425	Washer - Flat 3/8 SS	63
9	36420	36420	Washer - Lock 3/8 SS	63

Endgate

Endgate Assembly



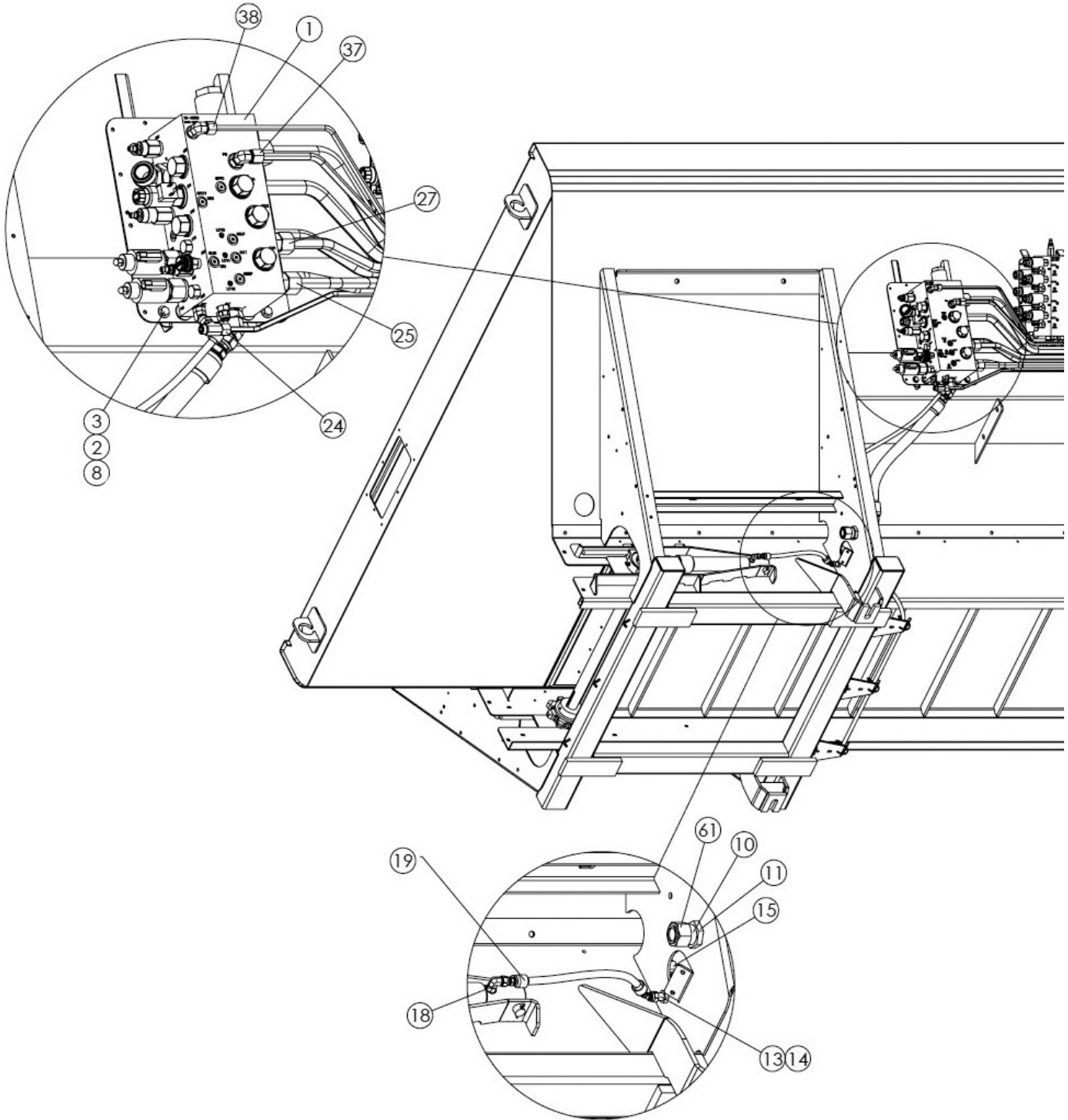
Endgate Assembly Cont.

ITEM	PART NO.	DESCRIPTION	QTY	
	409 SS	304 SS		
	314259	313502	Endgate - Assembly, Includes Items 1 - 25	1
	86951	86951	Kit - Hardware, Includes Items 26 - 29	1
1	314257	313503	Endgate - Wldmt Rear 102 + 6	1
2	314255	313506	Feedgate - Wldmt 30" 304	1
3	36385	36385	Bar - Feedgate Guide 304	2
4	36384	36384	Bar - Feedgate Slide 304	2
5	312394	312394	Cap Screw - 1/4-20NC x 1-3/8 SS	6
6	42034	42034	Nut - Lock 1/4-20NC SS	8
7	86090	86090	Spacer - Shim Plastic	2
8	305079	305079	Sealer - Endgate Bolt-In 304	2
9	36423	36423	Washer - Flat 1/4 SS	2
10	313173	313173	Pin - Clevis SS	2
11	36427	36427	Pin - Cotter SS	2
12	313377	313377	Sensor - Ultrasonic	1
13	313378	313378	Cover - Sensor	1
14	313465	313465	Fitting - 6-4 520220	2
15	313486	313486	Fitting - 6-6 520601S 304	2
16	313485	313485	Fitting - 6 520118S 304	2
17	313543	313543	Hose - Assy SAE 6 x 30 100R1	1
18	314398	314398	Hose - Assy SAE 6 x 38 100R1	1
19	313999	313999	Harness - Bin 2 Insert Control	1
20	*99674	*99674	Tie - Wire	8
21	311806	311806	Tie - Wire Fir Tree	2
22	312952	312952	Cylinder - 1.5 x 12 w/ Sensor	1
23	98787-AB	98787-AB	Sensor - Bin Level	1
24	313505	313505	Mount - Sensor 304	1
25	36393	36393	Cap Screw - 1/4-20NC x 3/4 SS	2
26	20128-X1	20128-X1	Cap Screw - 1/2-13NC x 1-1/4 GR8	4
27	20695	20695	Washer - Flat 1/2	8
28	20714	20714	Washer - Lock 1/2	4
29	20646	20646	Nut - 1/2-13NC	4
30	-	98476	PIN - CLEVIS .25 X 1.5 SS	1
31	-	41779	PIN - HAIR .073 X 1.438 SS	1

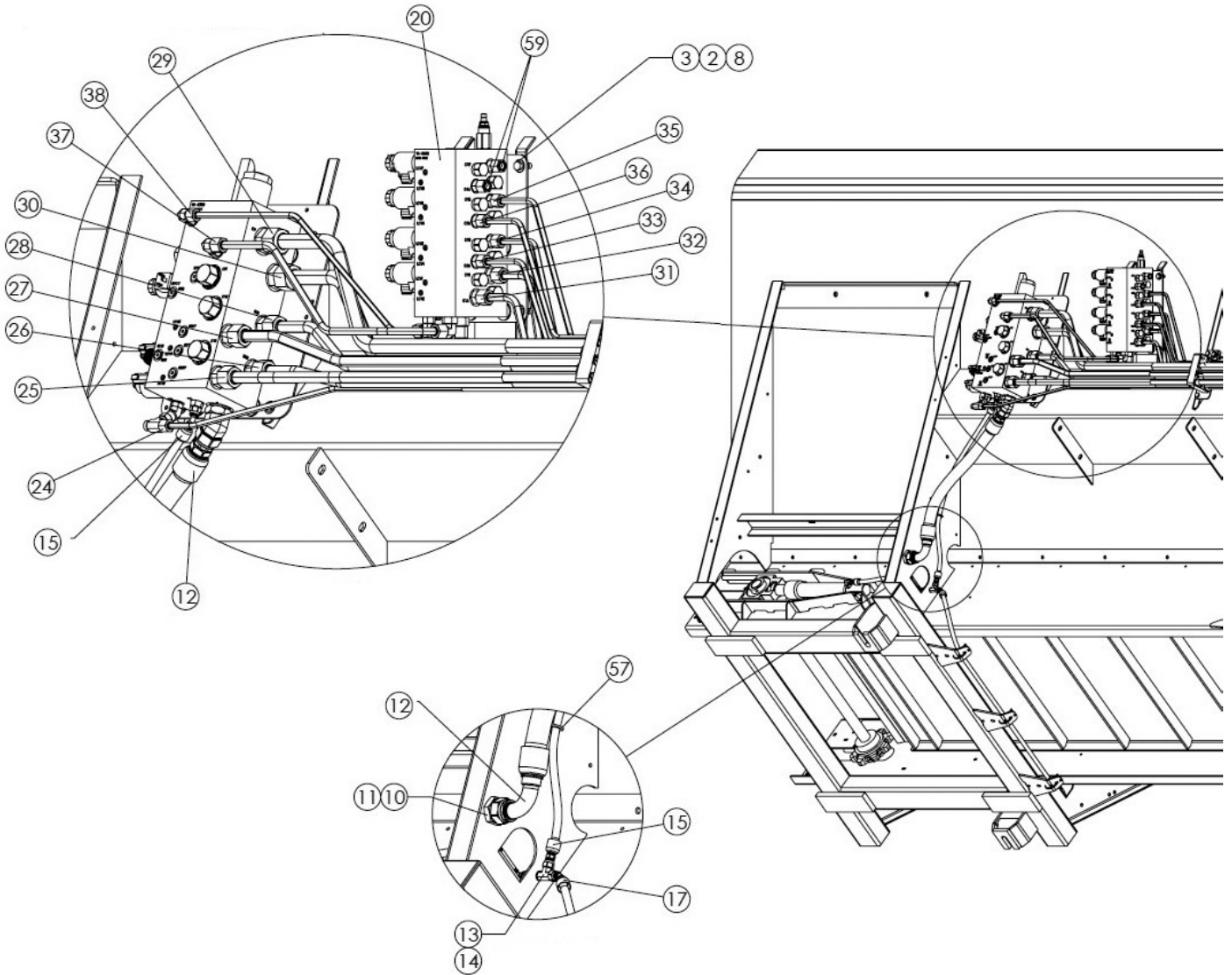
* - Not Shown

Body Hydraulics

Main Bin

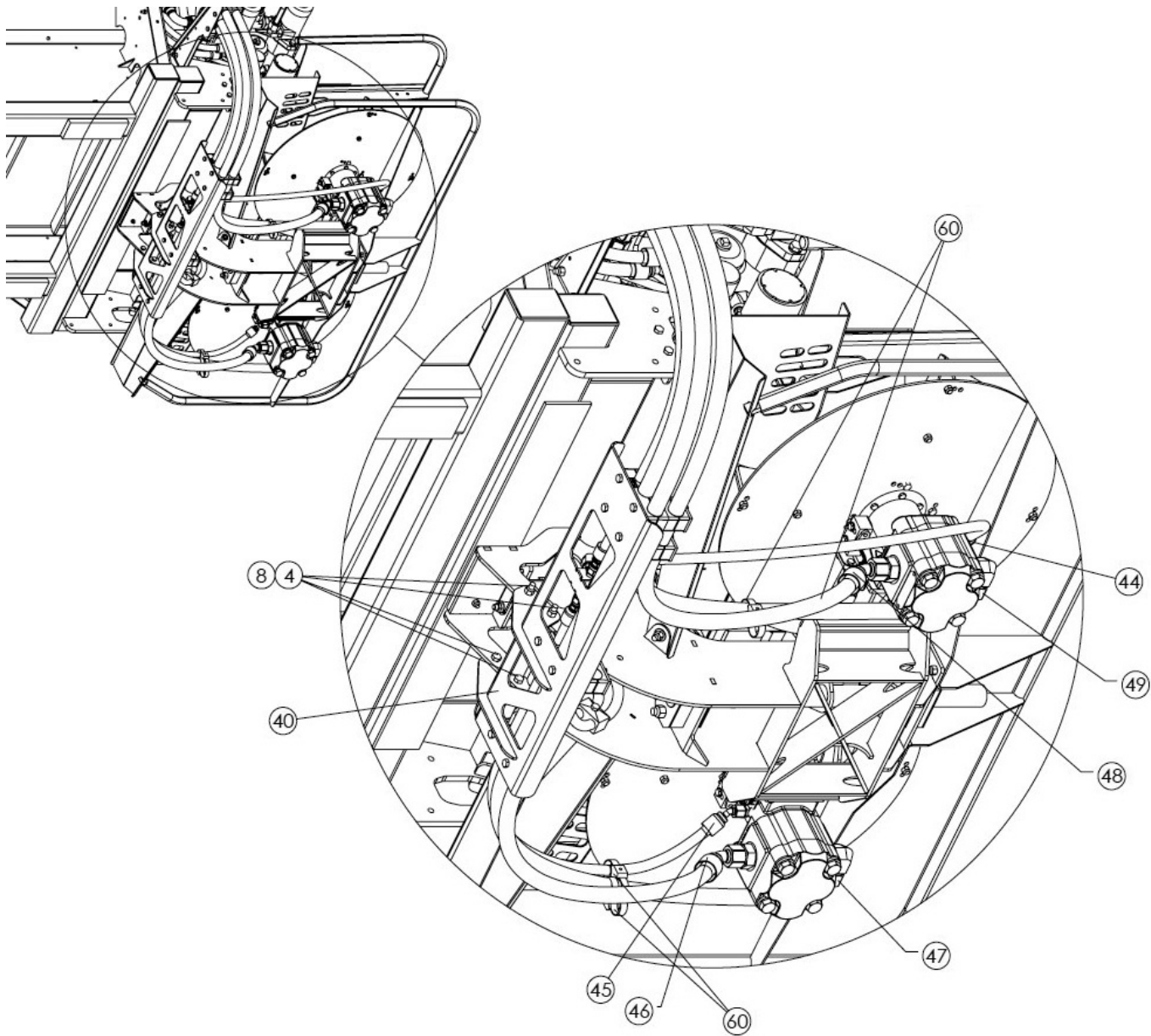


Main Bin Cont.



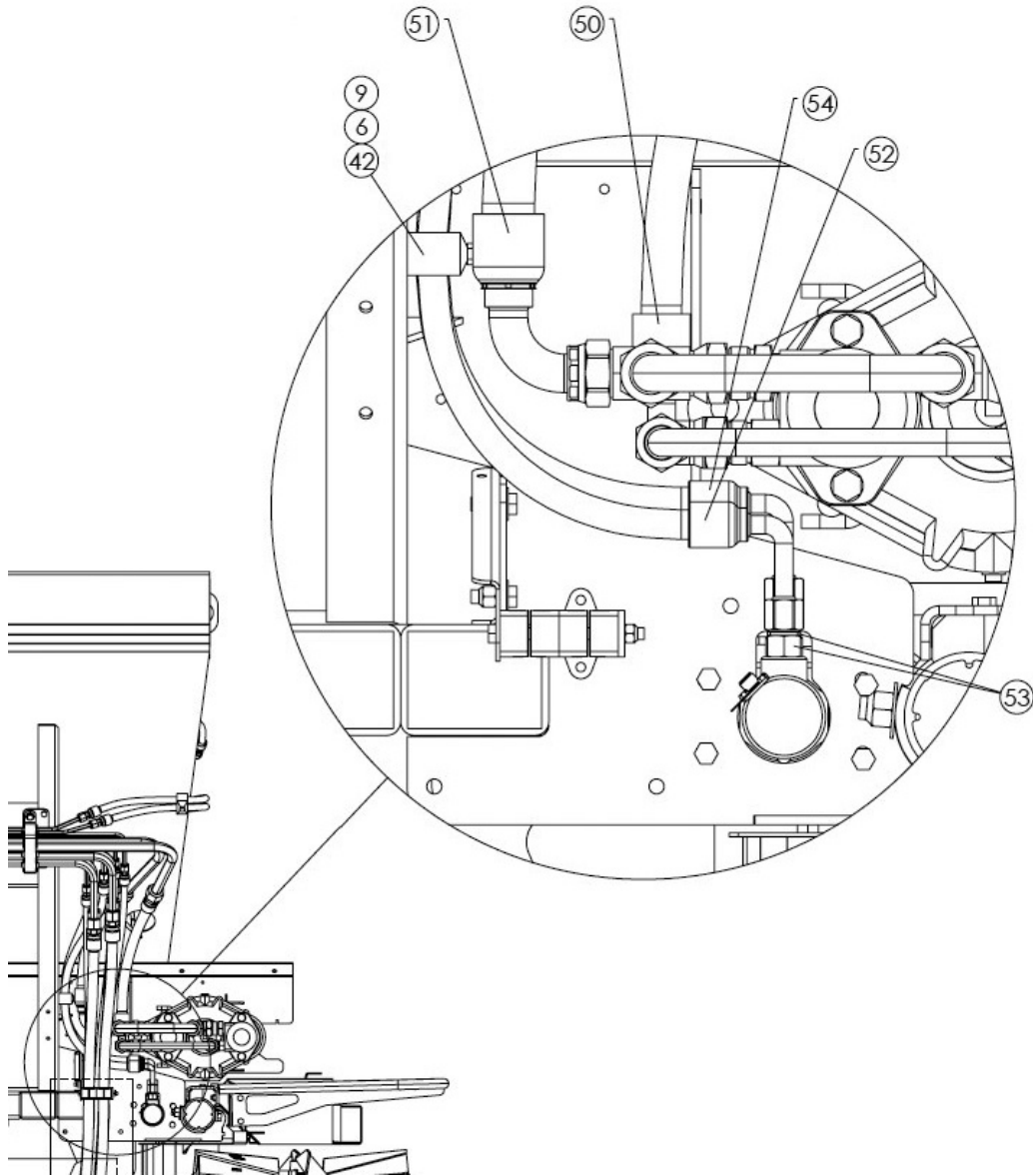
Body Hydraulics

Main Bin Cont.



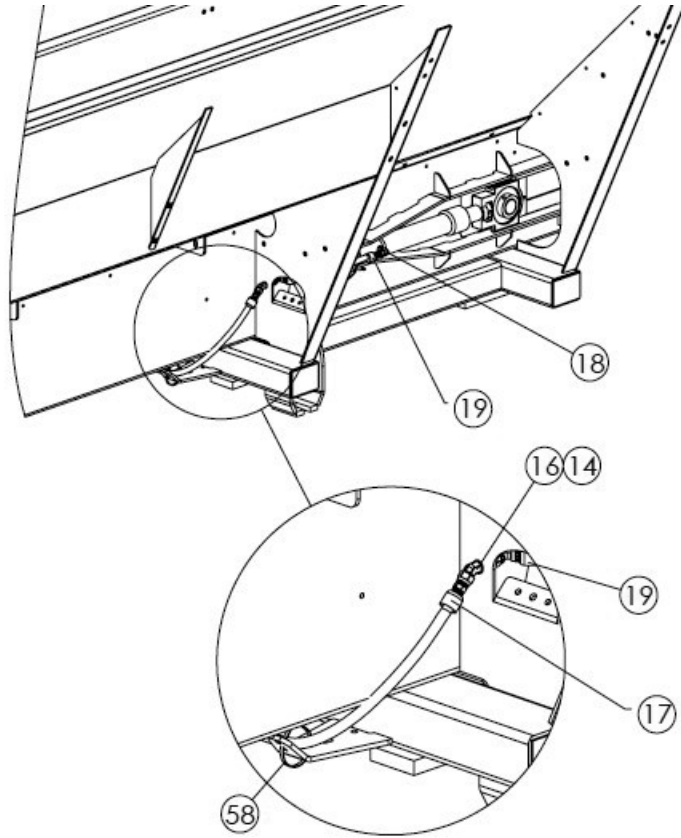
Body Hydraulics

Main Bin Cont.



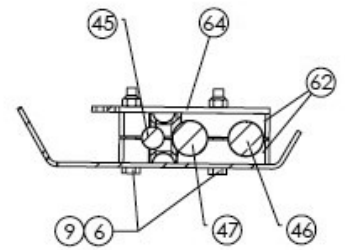
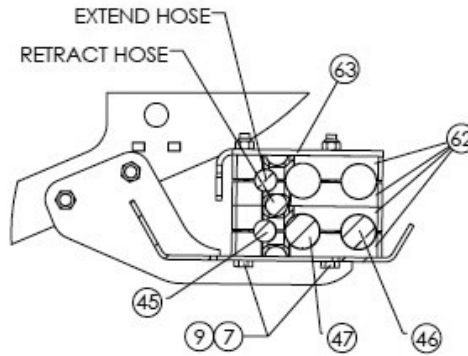
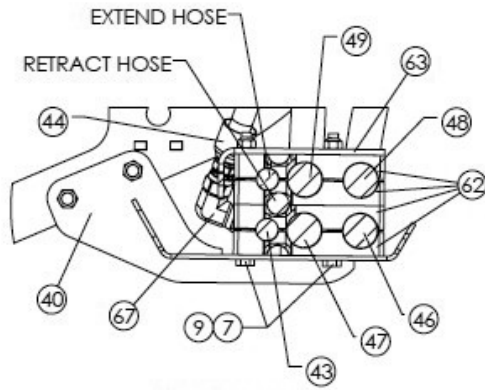
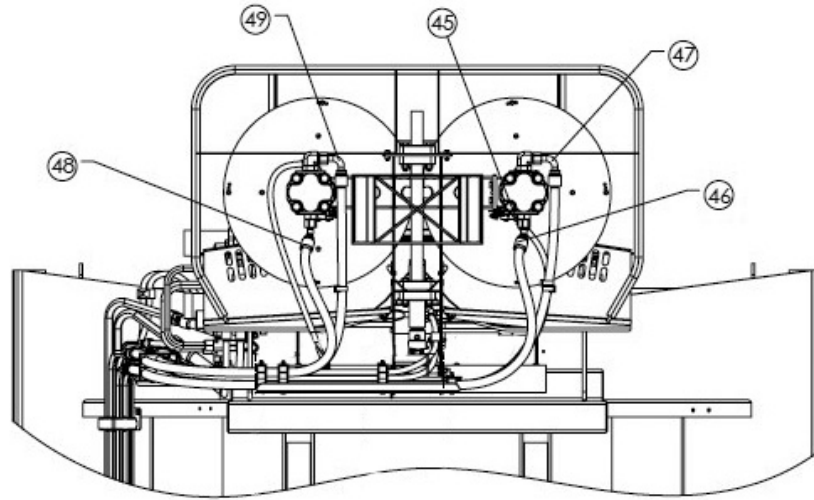
Body Hydraulics

Main Bin Cont.



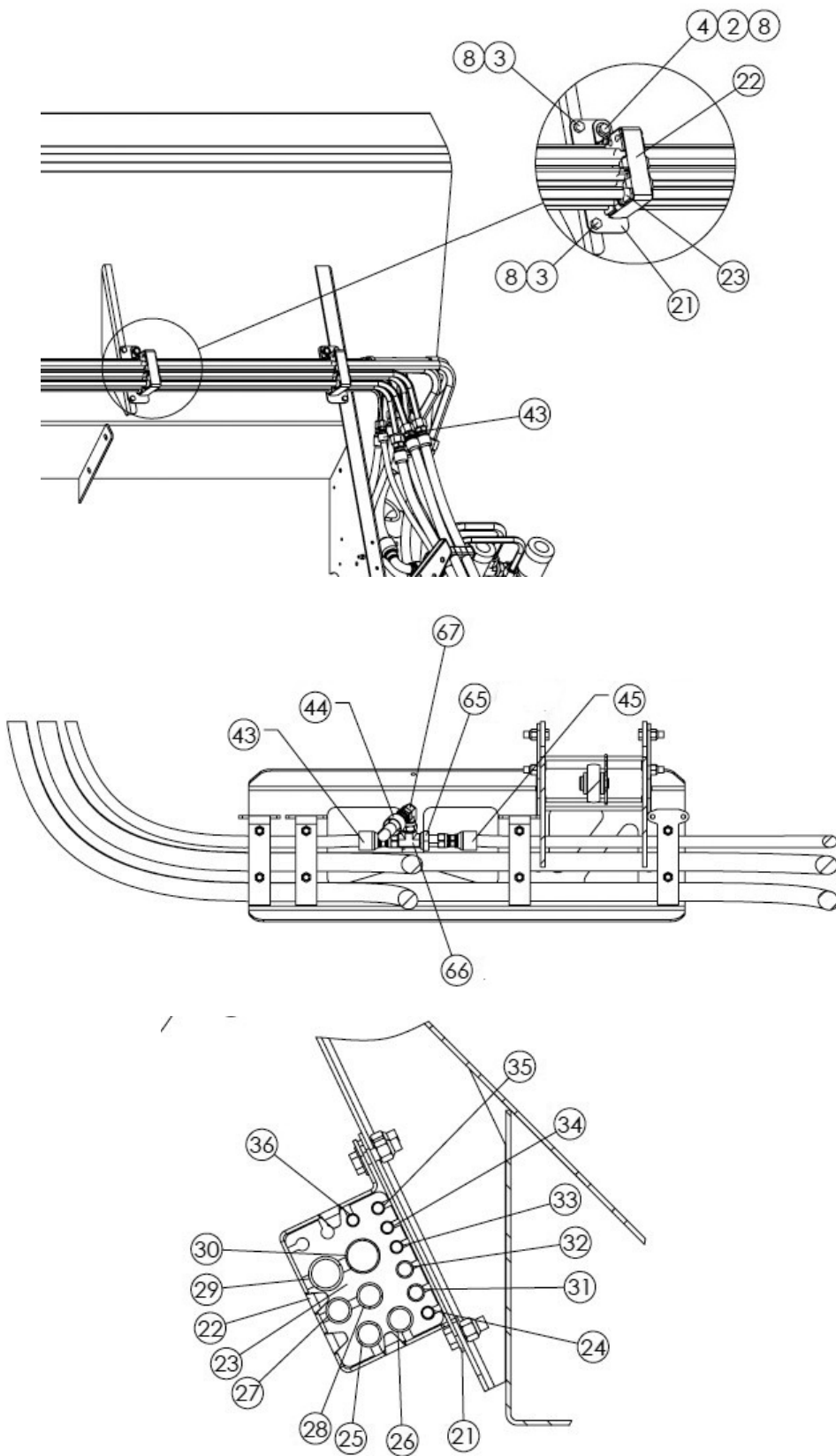
Body Hydraulics

Main Bin Cont.

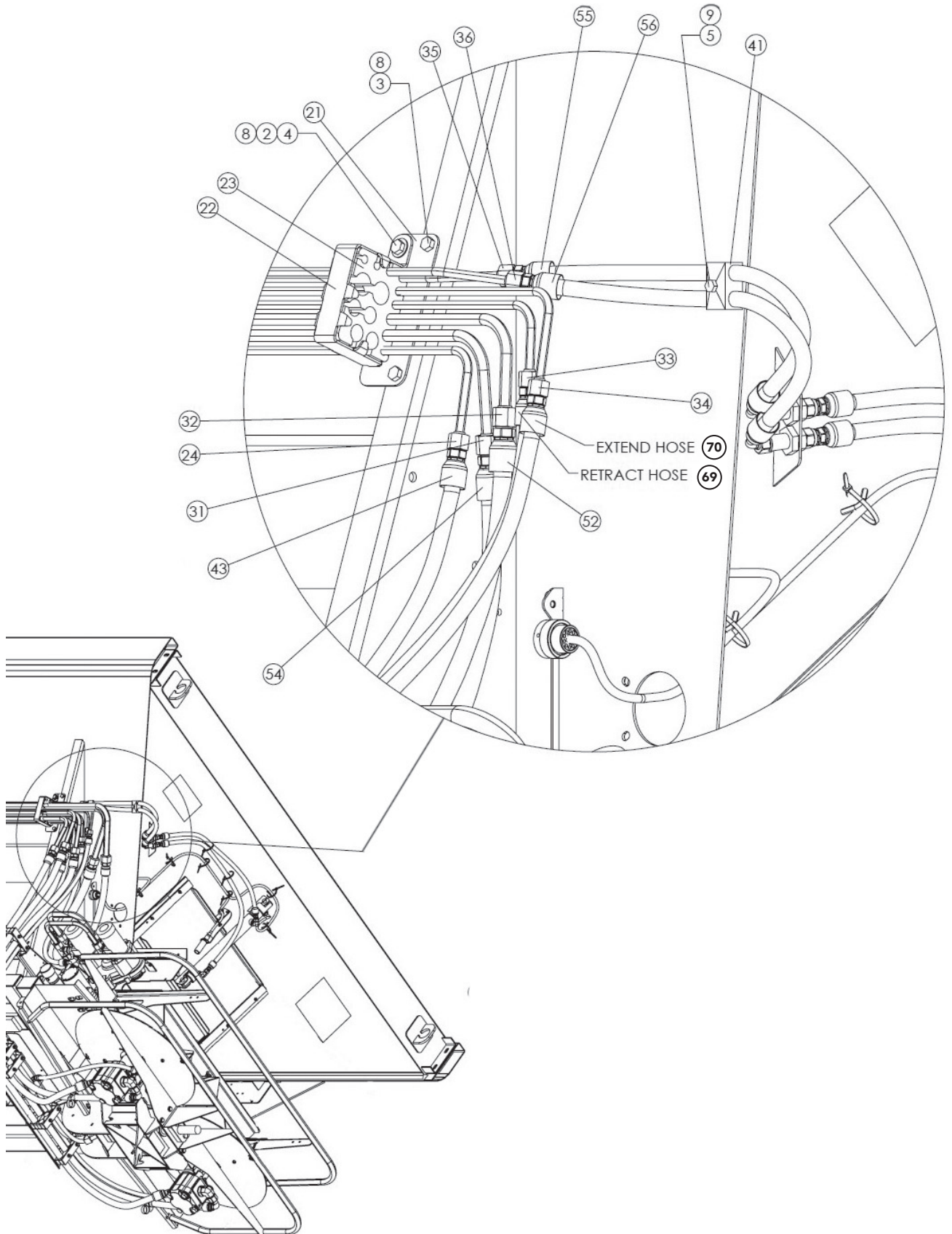


Body Hydraulics

Main Bin Cont.

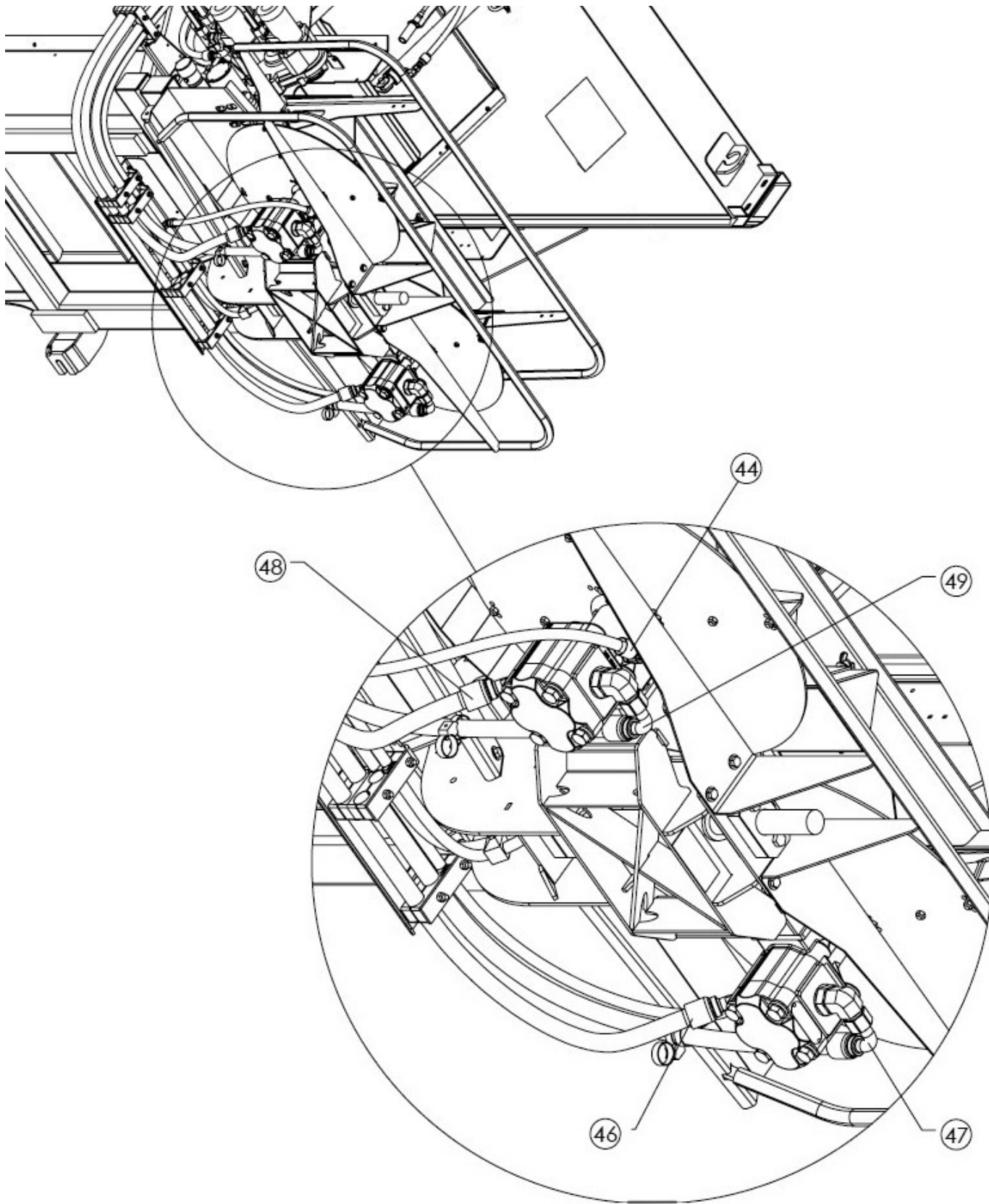


Main Bin Cont.

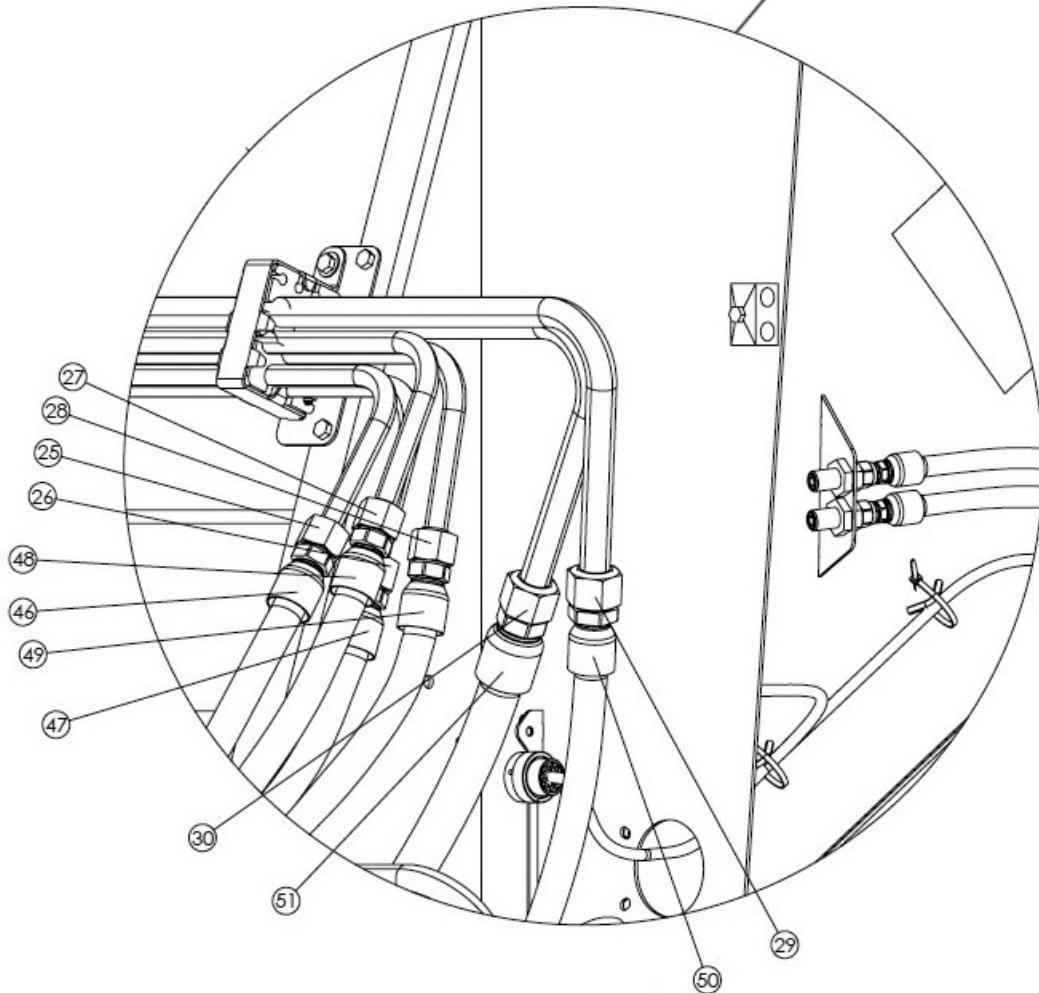
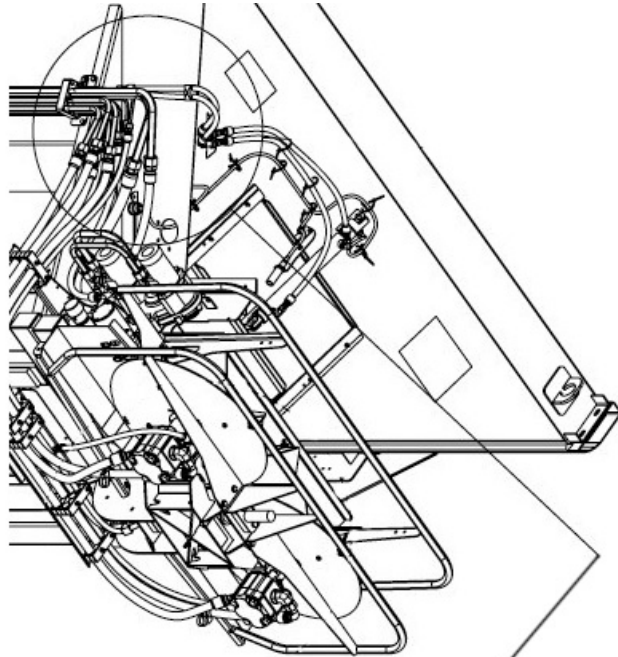


Body Hydraulics

Main Bin Cont.



Main Bin Cont.



Body Hydraulics

Main Bin Cont.

ITEM	PART NO.	DESCRIPTION	QTY
1	318191	Valve - Assy Mounting Spreader	1
2	36425	Washer - Flat .375 SS	13
3	36398	Capscrew - .375-16nc X 1 SS	16
4	36399	Capscrew - .375-16nc X 1.25 SS	7
5	309619	Capscrew - .313-18nc X 2 SS	1
6	71830	Capscrew - .313-18nc X 2.5 SS	3
7	310583	Capscrew - .313-18nc X 4.0 SS	8
8	72054	Nut - Lock .375-16nc SS	23
9	42221	Nut - Lock .313-18nc SS	12
10	313443	Fitting - 16-16 520601	1
11	313444	Fitting - 16 520118	1
12	313554	Hose - Assy 1 X 25.25 100r12	1
13	313440	Fitting - 4-4-4 520958	1
14	313442	Fitting - 4 520118	2
15	313555	Hose - Assy .25 X 33 100r1	1
16	313441	Fitting - 4-4 520801	1
17	313556	Hose - Assy .25 X 52.5 100r1	1
18	312654	Fitting - 4-4 520220	2
19	313557	Hose - Assy .25 X 14.25 100r1	2
20	313896	Valve - Assy Mounting Cylinder	1
21	313394	Plate - Tube Clamp Mount 304	3
22	313395	Clamp - Bar Tube 304	3
23	313396	Clamp - Rubber Insert	3
24	313326	Tube - Assy .375od X .035 X 99.06 304	1
25	313322	Tube - Assy .75od X .065 X 94.13 304	1
26	313323	Tube - Assy .75od X .065 X 94.13 304	1
27	313320	Tube - Assy .75od X .065 X 96.13 304	1
28	313321	Tube - Assy .75od X .065 X 96.13 304	1
29	313324	Tube - Assy 1od X .083 X 100.65 304	1
30	313325	Tube - Assy 1od X .083 X 97.37 304	1

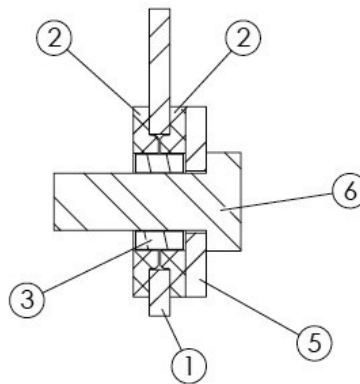
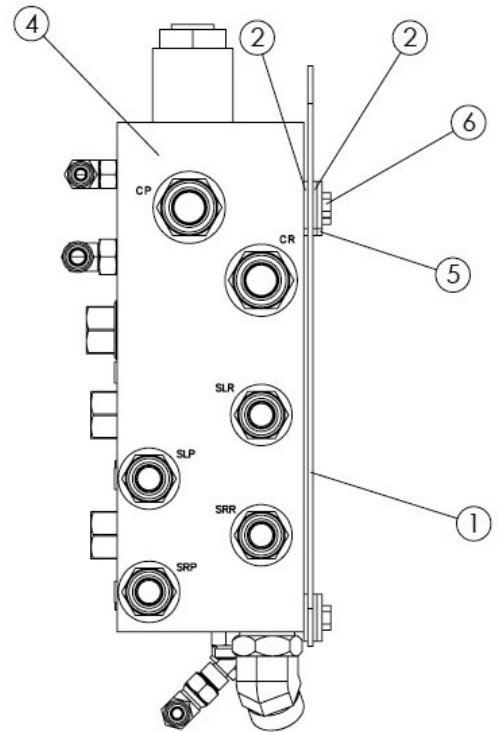
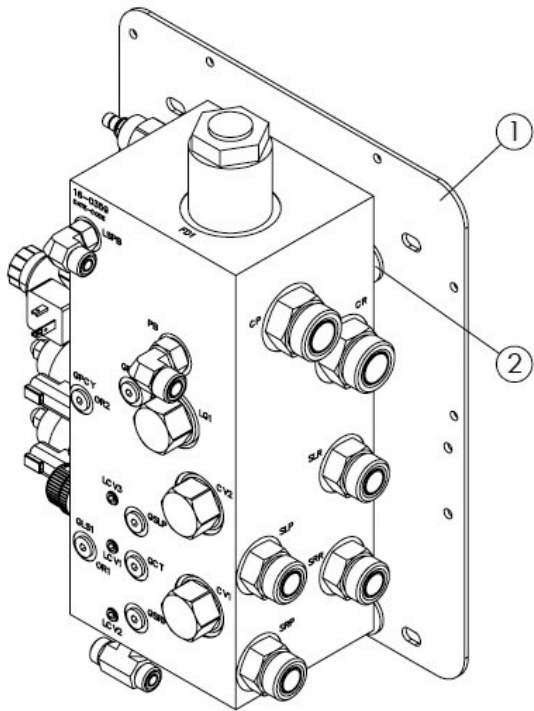
Main Bin Cont.

31	313327	Tube - Assy .50d X .049 X 75.13 304	1
32	313328	Tube - Assy .50d X .049 X 76.5 304	1
33	313329	Tube - Assy .375od X .035 X 77.81 304	1
34	313330	Tube - Assy .375od X .035 X 78.81 304	1
35	313333	Tube - Assy .375od X .035 X 74.16 304	1
36	313334	Tube - Assy .375od X .035 X 75.41 304	1
37	315440	Tube - Assy .50d X .049 X 18.56 304	1
38	313332	Tube - Assy .375od X .035 X 19.24 304	1
39	317127	Angle - Hose Clamp Mount 304	1
40	317121	Channel - Wldmt Hose Carrier	1
41	305410	Clamp - Tubing Twin .625	1
42	75036	Clamp - Tubing Twin .75	1
43	317128	Hose - Assy .38 X 62 100r1	1
44	317129	Hose - Assy .38 X 35 100r1	1
45	317130	Hose - Assy .38 X 42 100r1	1
46	313534	Hose - Assy .75 X 102.75	1
47	313535	Hose - Assy .75 X 110 100r16	1
48	313531	Hose - Assy .75 X 79.75 100r16	1
49	313532	Hose - Assy .75 X 86.5 100r16	1
50	313541	Hose - Assy .75 X 21.5 100r16	1
51	313542	Hose - Assy 1 X 18.5 100r1	1
52	313539	Hose - Assy .5 X 32 100r16	1
53	313456	Fitting - 8-6 520120	2
54	313540	Hose - Assy .5 X 30.75 100r16	1
55	313545	Hose - Assy .38 X 27.5 100r1	1
56	313546	Hose - Assy .38 X 25.25 100r1	1
57	311806	Tie - Wire Fir Tree	1
58	99674	Strap - Zip Tie 8 Black	3
59	314506	Fitting - 6 520112	2
60	310648	Tie - Dual Clamp	3
61	312674	Fitting - 16 520112	1

Body Hydraulics**Main Bin Cont.**

62	317120	Clamp - Hose	18
63	317125	Plate - Backing 304	4
64	317126	Plate - Backing 304	1
65	313485	Fitting - 6 520118s 304	1
66	317131	Fitting - 6-6-6 520958s 304	1
67	317132	Fitting - 6-6 520221s 304	1
68	307182-AA	Plug - Assy Sealing 2-Pin	2
69	313537	Hose - Assy .38 X 95.25 100r1	1
70	313538	Hose - Assy .38 X 88 100r1	1

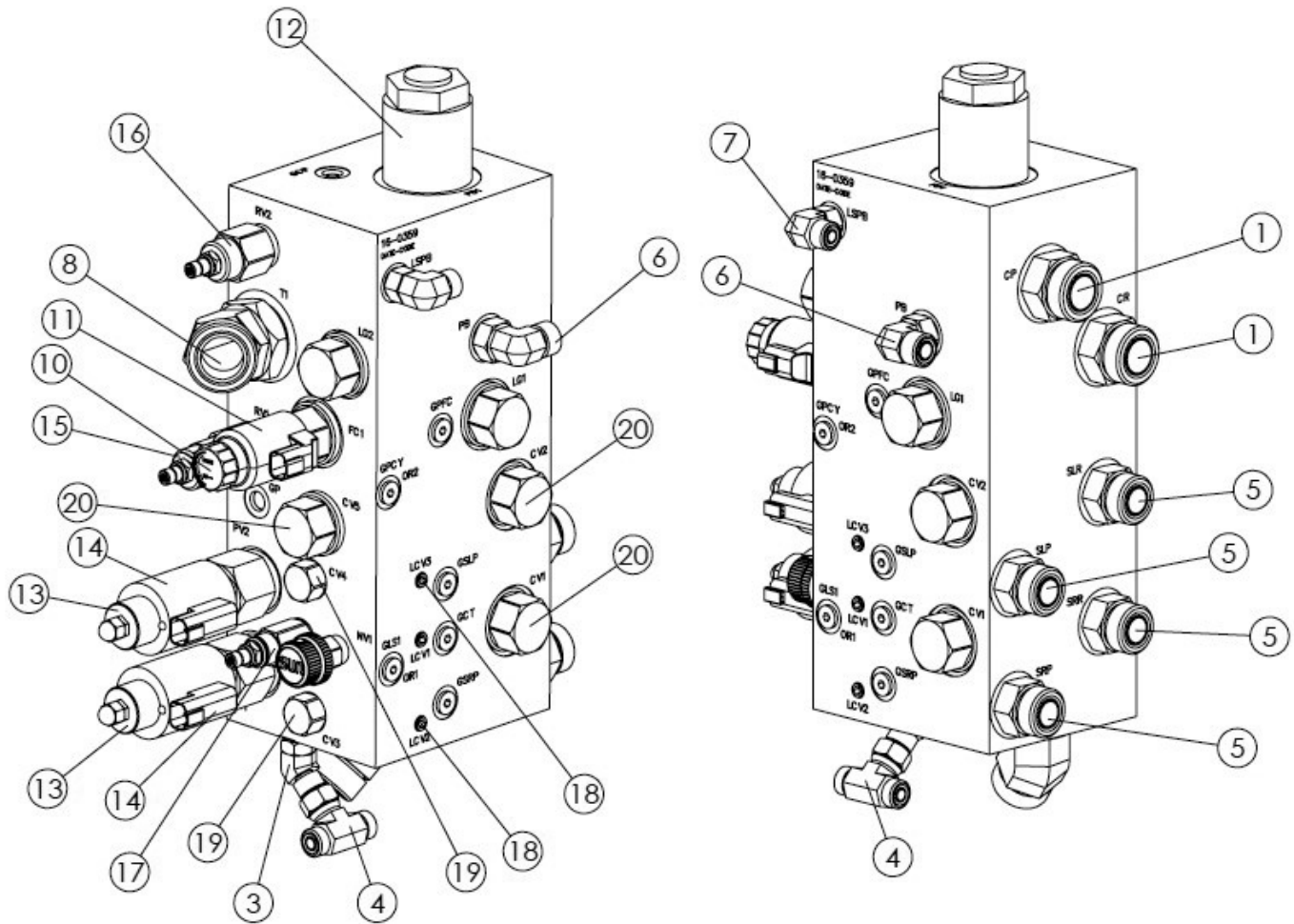
Spreader Control Valve Mount Assy



ITEM	PART NO.	DESCRIPTION	QTY
	318191	Valve - Mounting Assy Control	1
1	313392	Plate - Mount Valve 304	1
2	311664	Washer - Step .638 Id X .875od	8
3	88050	Spacer - Dump Over Chute 304	4
4	317365	Valve - Assy Spreader Control	1
5	311798	Washer - .406 Id X 1.25od X 10GA 304	4
6	36398	Capscrew - .375-16nc X 1 SS	4

Body Hydraulics

Spreader Control Valve Assy



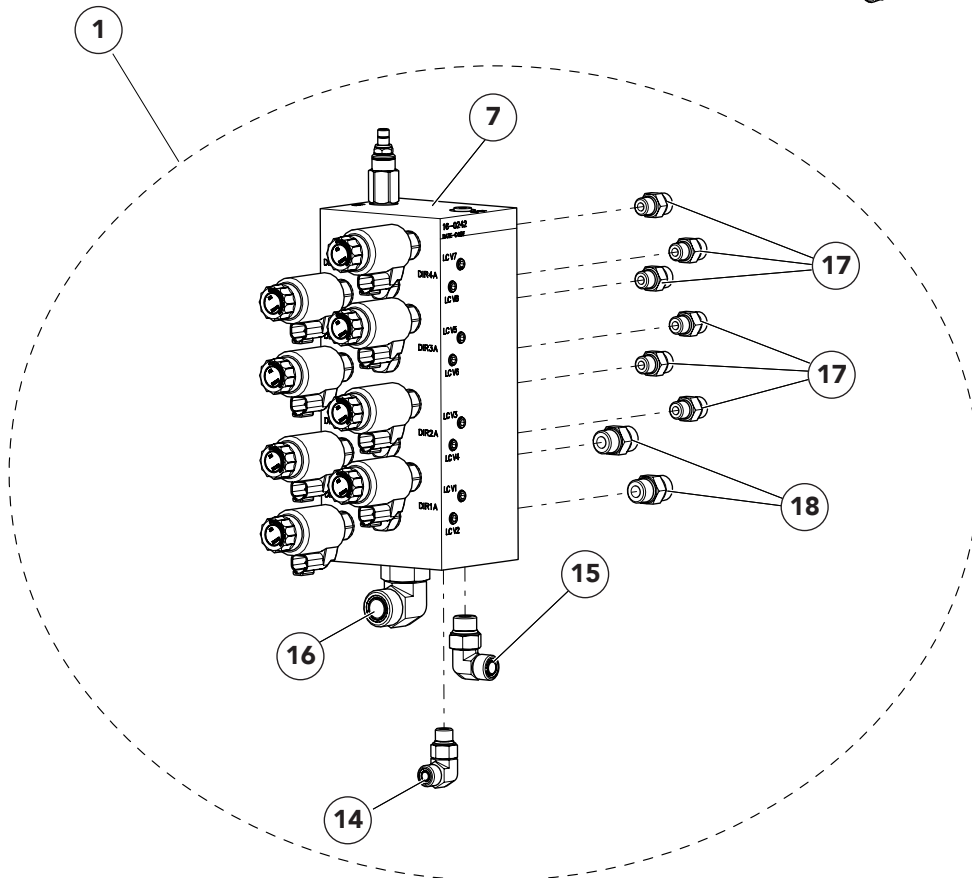
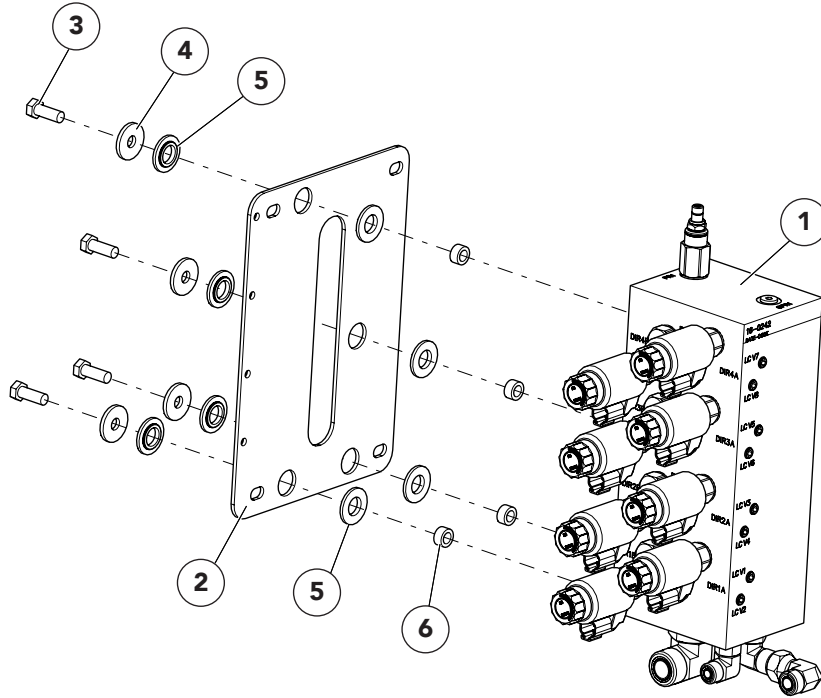
Spreader Control Valve Assy

<u>ITEM</u>	<u>PART NO.</u>	<u>DESCRIPTION</u>	<u>QTY</u>
	317365	Valve - Assy Spreader Control	
1	312655	Fitting - 16-16 520120	2
2	*313447	Fitting - 4-6 520120	1
3	313445	Fitting - 6-6 520320	1
4	313446	Fitting - 6-6-6 520433	1
5	313450	Fitting - 12-12 520120	4
6	313451	Fitting - 8-8 520220	1
7	313452	Fitting - 6-6 520220	1
8	313449	Fitting - 20-20 520320	1
9	*313448	Fitting - 16-16 520320	1
10	316692-AA	Valve - Pwm Throttle W/Coil	1
11	316692-AB	Coil - Proportion 12 Vdc	1
12	316271-AA	Valve - Compensator 50gpm Sfp	1
13	317358	Valve - Pwm Flow Control 20gpm	2
14	317359	Coil - Proportion 12 Vdc	2
15	311515-AD	Valve - Relief Soft Start	1
16	311515-AE	Valve - Relief Service Part	1
17	311515-AF	Valve - Pressure Reducing	1
18	311515-AG	Valve - Check Service Part	2
19	311515-AH	Valve - Check Service Part	2
20	311515-AI	Valve - Check Service Part	3

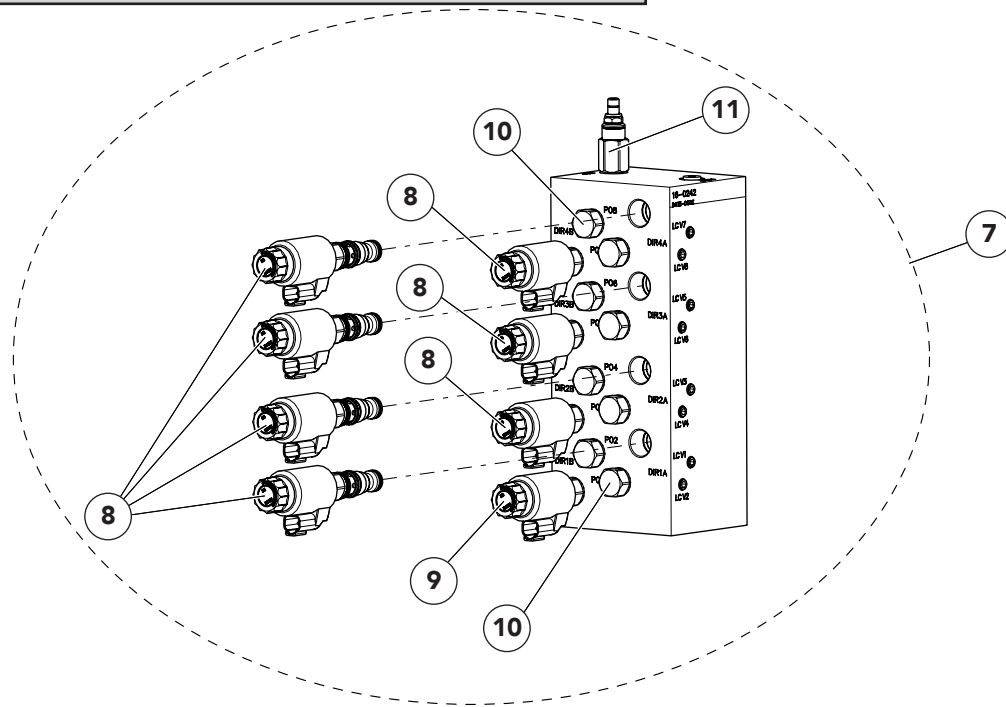
* Not Shown

Body Hydraulics

Cylinder Control Valve Assy



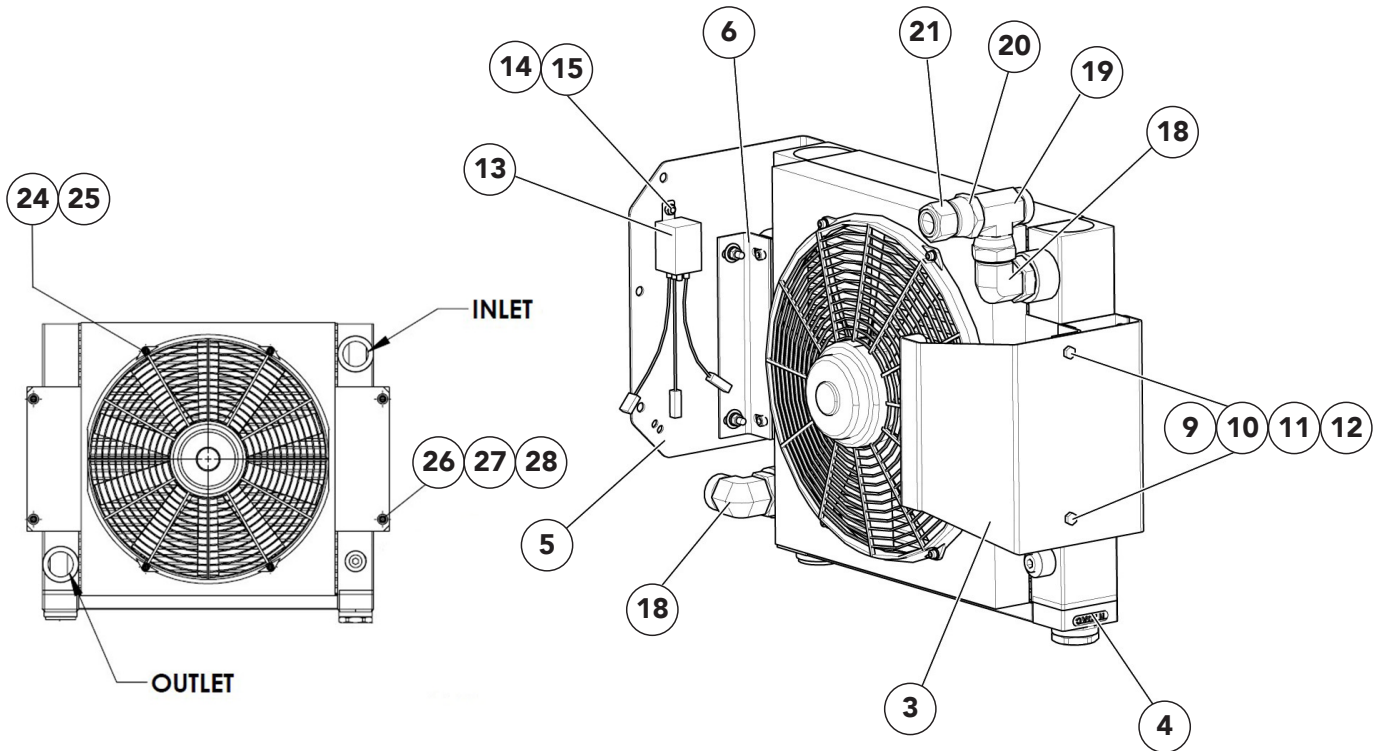
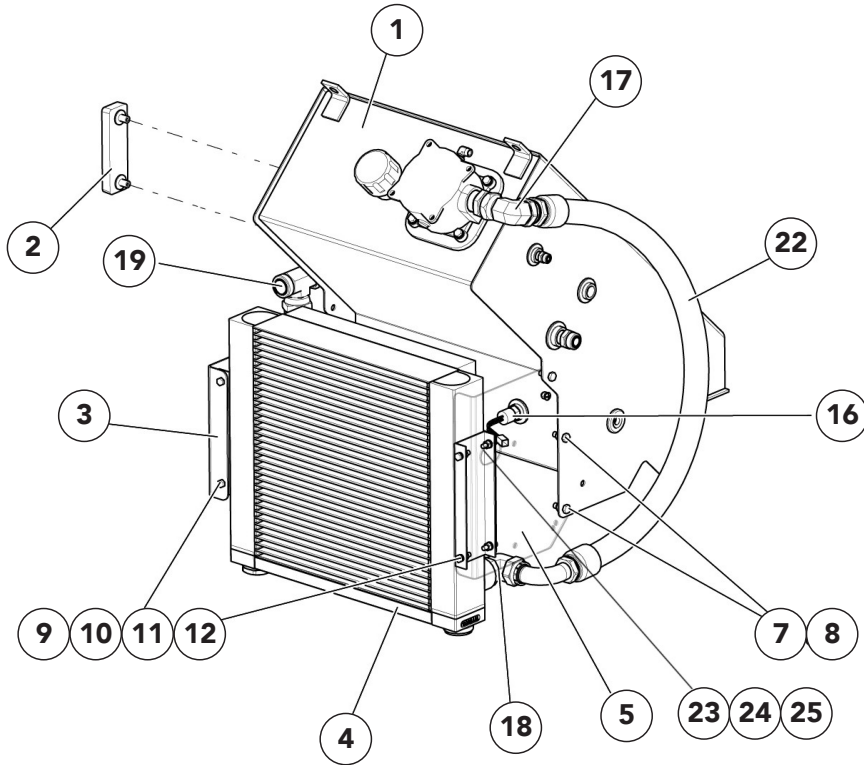
Cylinder Control Valve Assy Cont.



<u>ITEM</u>	<u>PART NO.</u>	<u>DESCRIPTION</u>	<u>QTY</u>
	313896	Valve - Mounting Assy, Includes Items 1 - 17	1
1	313895	Valve - Assy 40 GPM, Includes Items 7 - 17	1
2	313393	Plate - Valve Mount 304	1
3	36398	Cap Screw - 3/8-16NC x 1 SS	4
4	311798	Washer - Special	4
5	311664	Washer - Step Poly	8
6	88050	Spacer	4
7	313894	Valve - Cylinder Control, Includes Items 8 - 11	1
8	313894-AA	Valve - PWM Flow Control 6 GPM w/ Coil	7
9	313894-AB	Valve - PWM Flow Cotrol 9 GPM w/ Coil	1
10	313894-AC	Valve - Pilot Operated Check	8
11	313894-AD	Valve - Pressure Reducing / Relieving	1
12	313452	Fitting - 6-6 520220	1
13	313451	Fitting - 8-8 520220	1
14	304306	Fitting - 8-8 520221	1
15	313453	Fitting - 12-12 520220	1
16	313455	Fitting - 6-6 520120	6
17	313454	Fitting - 8-8 520120	2

Body Hydraulics

Hydraulic Reservoir w/ Cooler

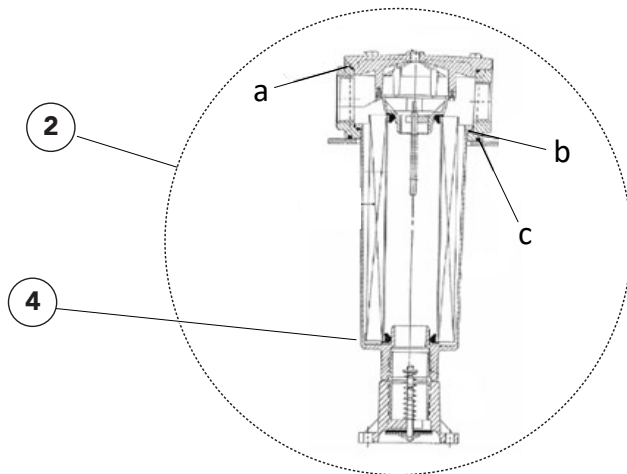
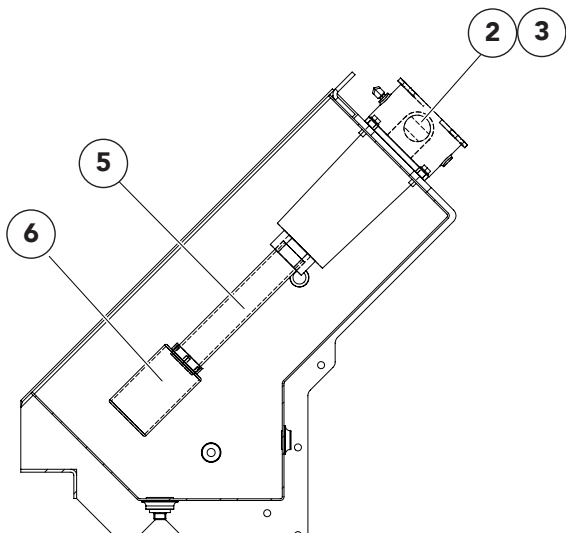
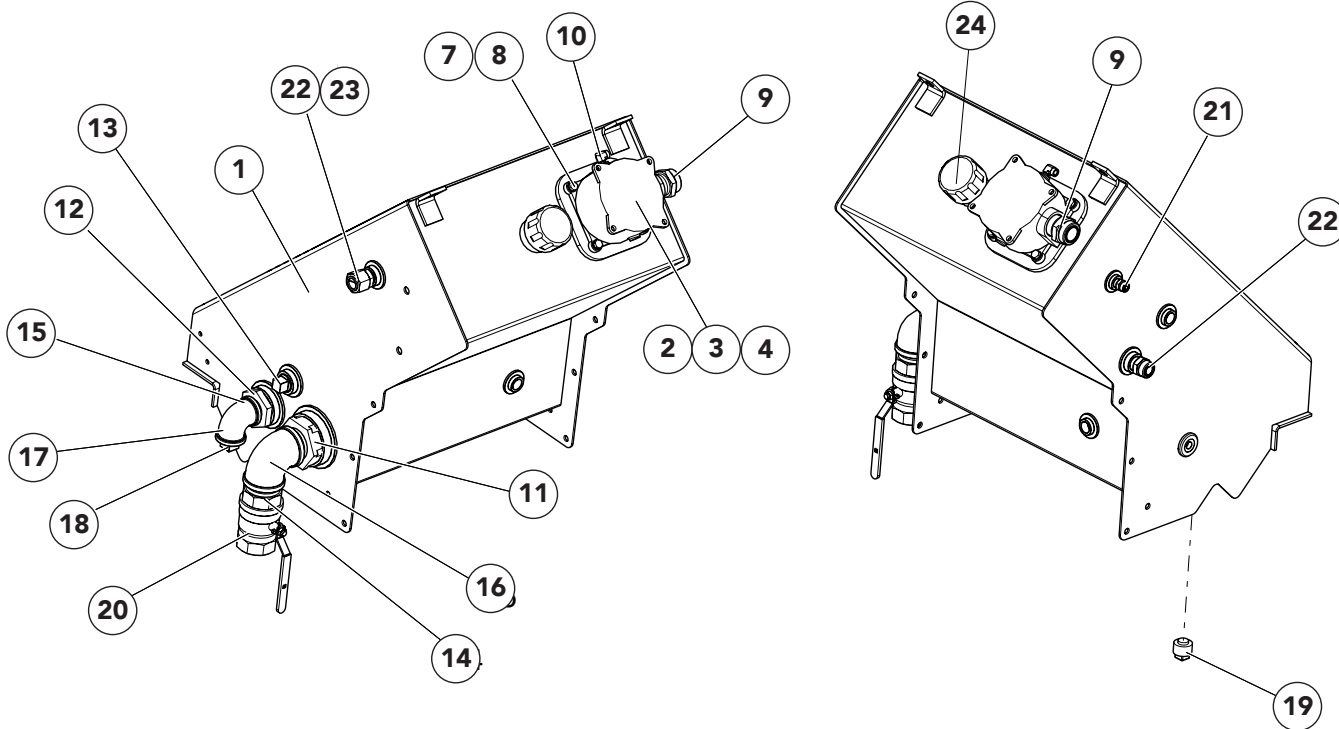


Hydraulic Reservoir w/ Cooler Cont.

<u>ITEM</u>	<u>PART NO.</u>	<u>DESCRIPTION</u>	<u>QTY</u>
	NLM		
	313411	Tank- Group W/Cooler Hyd Mnt	
	315140	Tank- Group W/Cooler Hyd Mnt 304	
1	313412	Tank- Assy W/Cooler	1
	315139	Tank- Assy W/Cooler 304	
2	38575	Gauge- Sight & Temperature	1
3	305761	Bracket- Cooler LH	1
4	305767	Cooler- Assy HYDAC	1
5	305760	Bracket- Cooler RH	1
6	306447	Bracket- Cooler Mount	2
7	36398	Cap Screw- 3/8-16NC x 1 SS	5
8	72054	Nut- Lock 3/8-16NC SS	5
9	34580	Cap Screw- 5/16-18NC x 1 SS	8
10	36424	Washer- Flat 5/16 SS	8
11	36429	Washer- Lock 5/16 SS	8
12	36413	Nut- Hex 5/16-18NC SS	8
13	312271	Relay- 12VDC 40A	1
14	56258	Screw- Truss Head 1/4-20NC x 1/2 SS	1
15	42034	Nut- Lock 1/4-20NC SS	1
16	305074	Switch- Temperature 114°	1
17	313406	Fitting- 20-20 520221	1
18	313416	Fitting- 20-20 520220	2
19	313417	Fitting- 20-20-20 520433	1
20	313418	Fitting- 20-16 520123	1
21	312674	Fitting- 16 520112	1
22	313419	Hose- Assy SAE 20 x 48 100R4	1
23	319927	Screw - Sockethead .313-18 Nc X .5 SS	4
24	319928	Washer - Lock M6	4
25	319929	Screw - Sockethead M6-20	4
26	20711	Washer - Lock .313 Zn	4
27	20677	Nut - Lock .313-18nc Zn	4
28	20692	Washer - Flat .313 Zn	8

Body Hydraulics

Hydraulic Reservoir

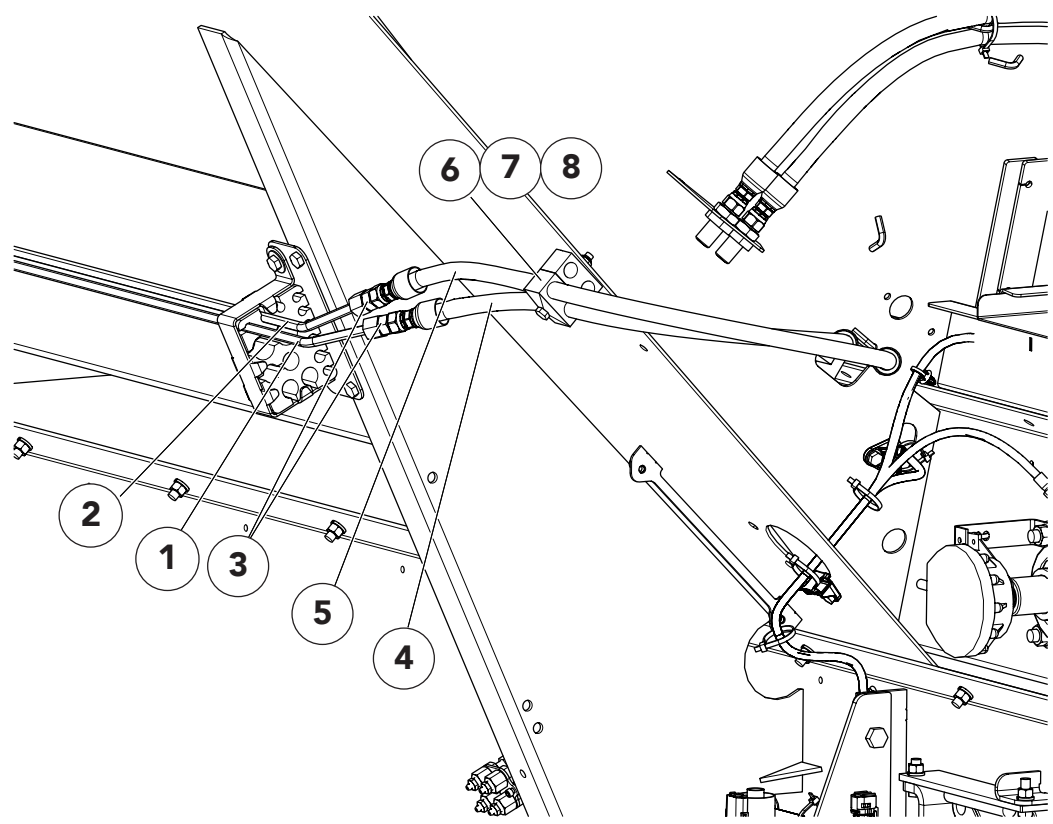
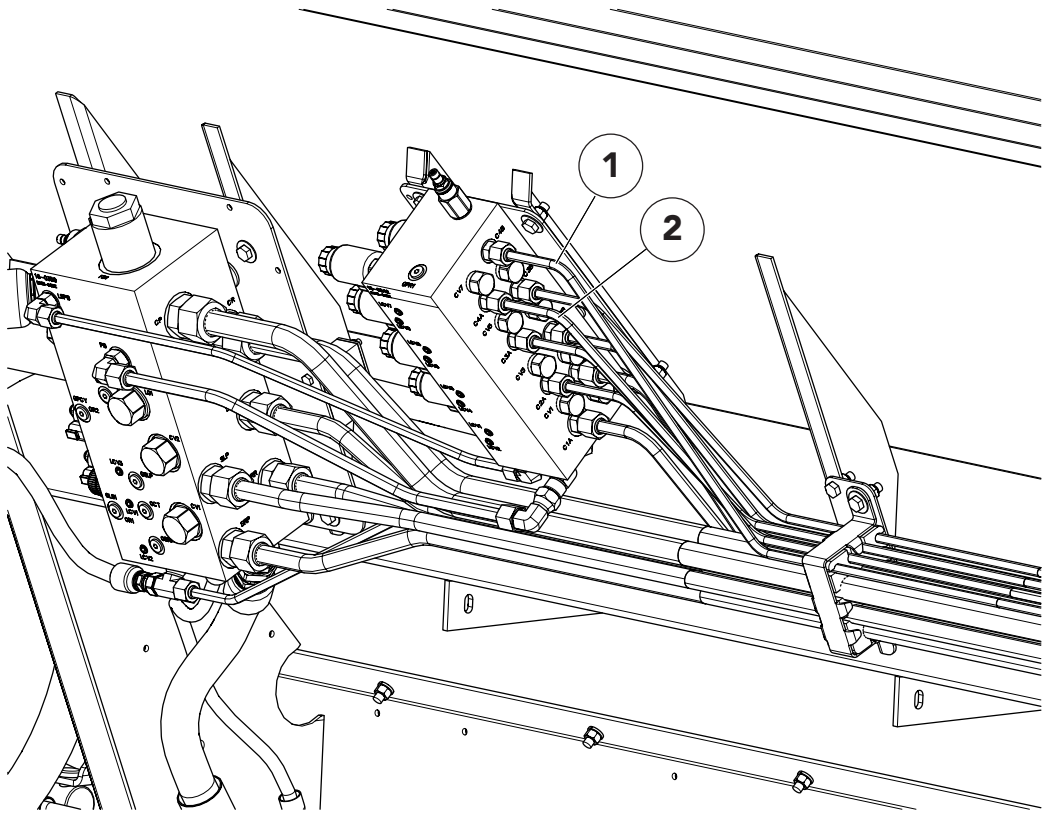


Hydraulic Reservoir Cont.

ITEM	PART NO.	DESCRIPTION	QTY
	313413	Tank - Assy Hyd	
	315140	Tank - Assy Hyd 304	
1	313414	Tank - Wldmt Hydraulic	1
	315141	Tank - Wldmt Hydraulic 304	1
2	88838	Filter - Return, In Tank	1
a	306772	O-Ring - Cover Filter	1
b	306773	O-Ring - Housing Filter	1
c	306789	Seal - Filter Assy	1
3	306186	Gasket Maker - Silicone RTV	AR
4	305066	Filter - Element	1
5	305058	Pipe - 1-1/2 SCH40 x 10	1
6	305057	Diffuser - In Tank	1
7	36399	Cap Screw - 3/8-16NC x 1-1/4	4
	36399	Cap Screw - .375-16NC X 1.25 SS	4
8	36420	Washer - Lock 3/8	4
	36420	Washer - Lock 3/8 SS	
9	313403	Fitting - 20-20 Non-Standard	1
10	311214	Fitting - 2-2 140239C	1
11	305063	Strainer - 2 NPT	1
12	305062	Strainer - 1-1/4 NPT	1
13	6034	Plug - Pipe 1 NPT	1
14	22324	Nipple - Close 2 NPT	2
15	6028	Nipple - Close 2 NPT	1
16	23703	Adapter - Elbow 90° 1-1/4 NPT	1
17	6011	Elbow - 90° 1-1/4 NPT	1
18	6035	Plug - Pipe 1-1/4 NPT	1
19	305061	Plug - Magnetic 1 NPT	1
20	305060	Valve - Ball 2 NPT	1
21	313405	Fitting - 6-6 Non-Standard	1
22	313404	Fitting - 12-12 Non-Standard	2
23	312673	Fitting - 12 520112	1
24	96747	Filler - Weld In Neck	1
-	320410	Filler - Cap Breather	1

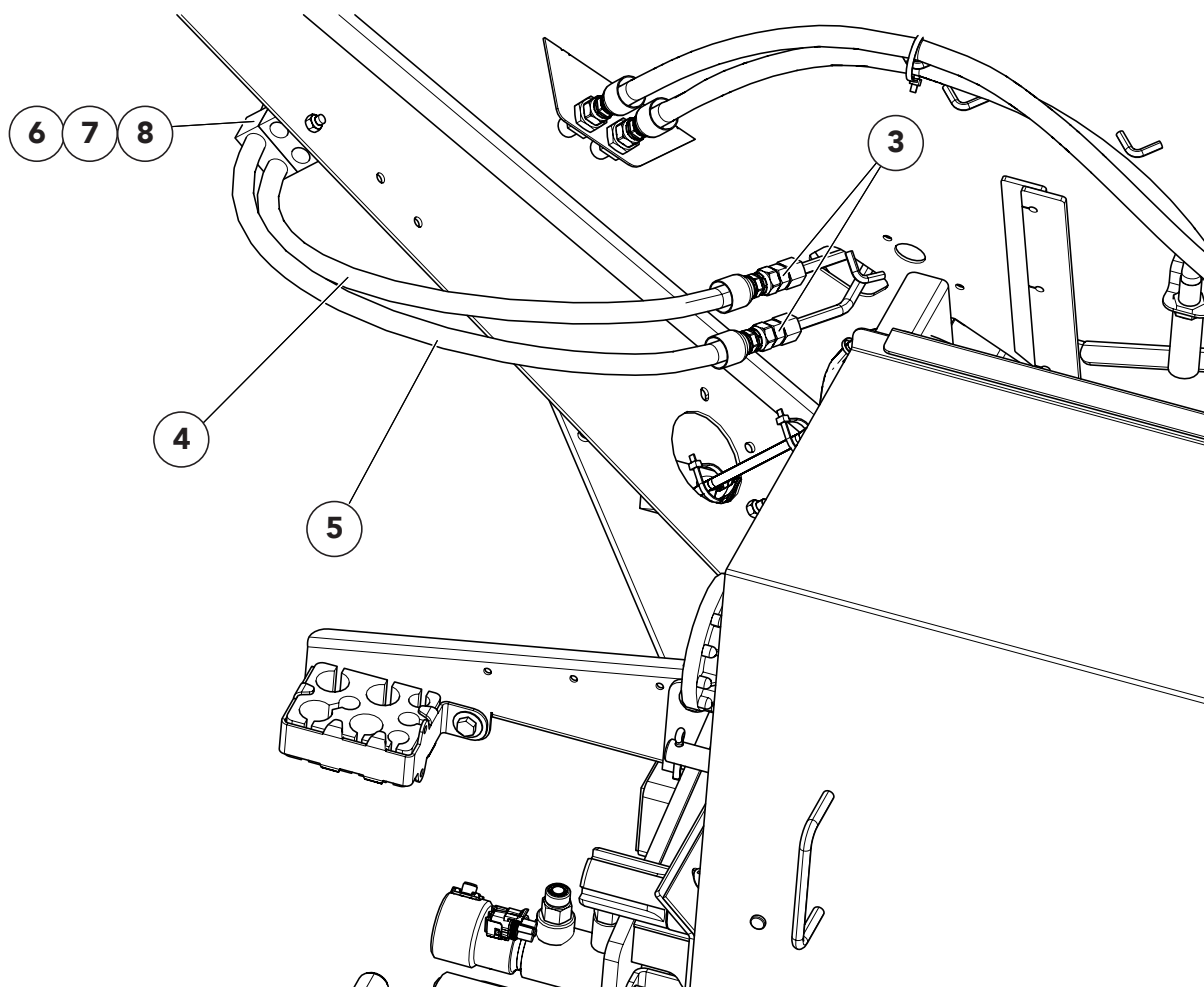
Body Hydraulics

Left Hand Hydraulics - Insert



Body Hydraulics

Left Hand Hydraulics - Insert Cont.

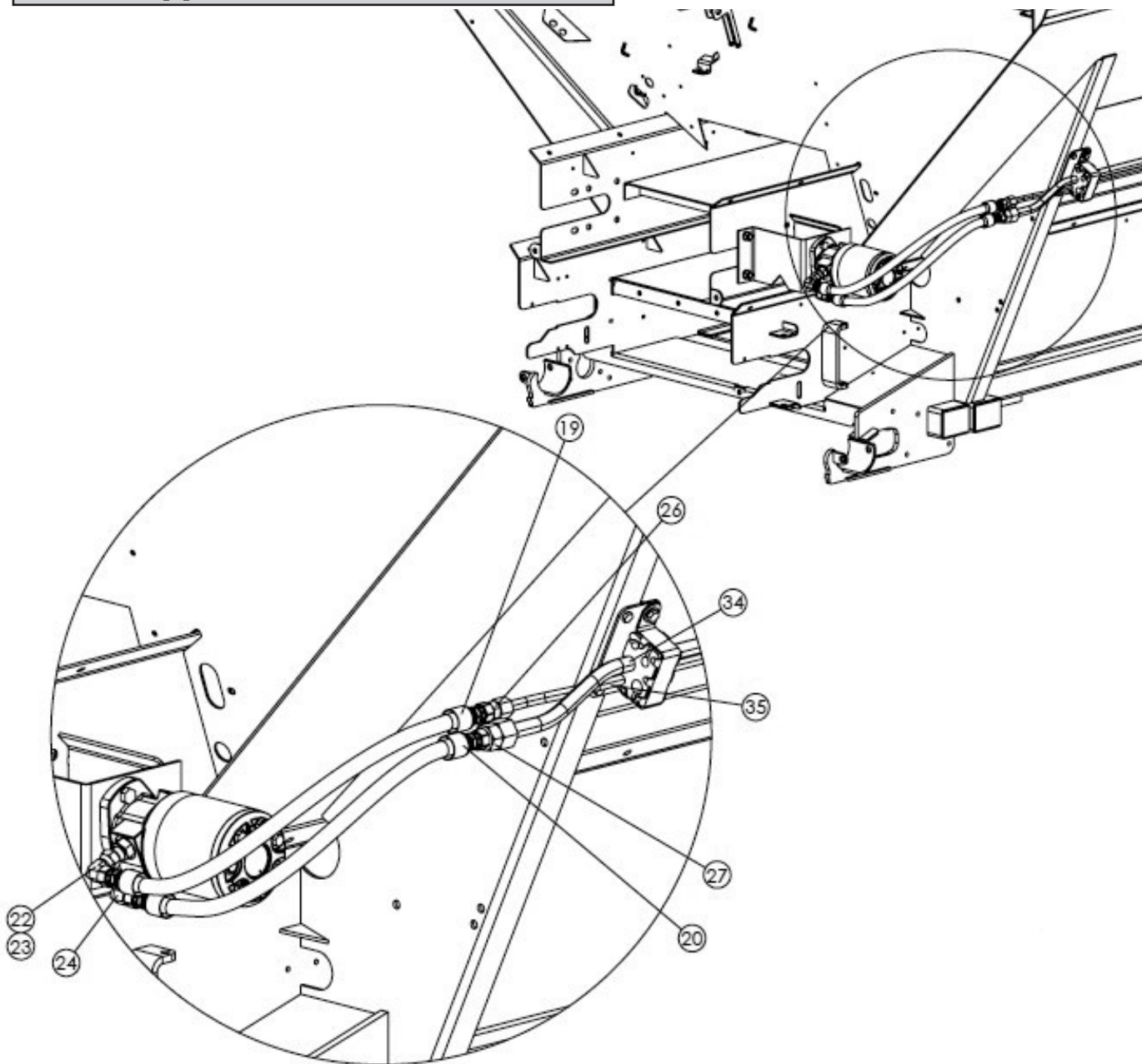


<u>ITEM</u>	<u>PART NO.</u>	<u>DESCRIPTION</u>	<u>QTY</u>
1	313335	Tube - Assy 3/8 x .035 304, 14' Unit	1
2	313336	Tube - Assy 3/8 x .035 304, 14' Unit	1
3	313487	Fitting - 6-6 520101S 304	4
4	313548	Hose - Assy SAE 6 x 32-1/2 100R1 SS	1
5	313658	Hose - Assy SAE 6 x 28-1/2 100R1 SS	1
6	96258	Cap Screw - 5/16-18NC x 3 SS	1
7	42221	Nut - Lock 5/16-18NC SS	1
8	305410	Clamp - Tubing Twin 5/8	1

NOTE: The following parts are required to convert a single bin unit to MultiApplier or MultiBin ready. See previous pages for details on main bin hydraulics.

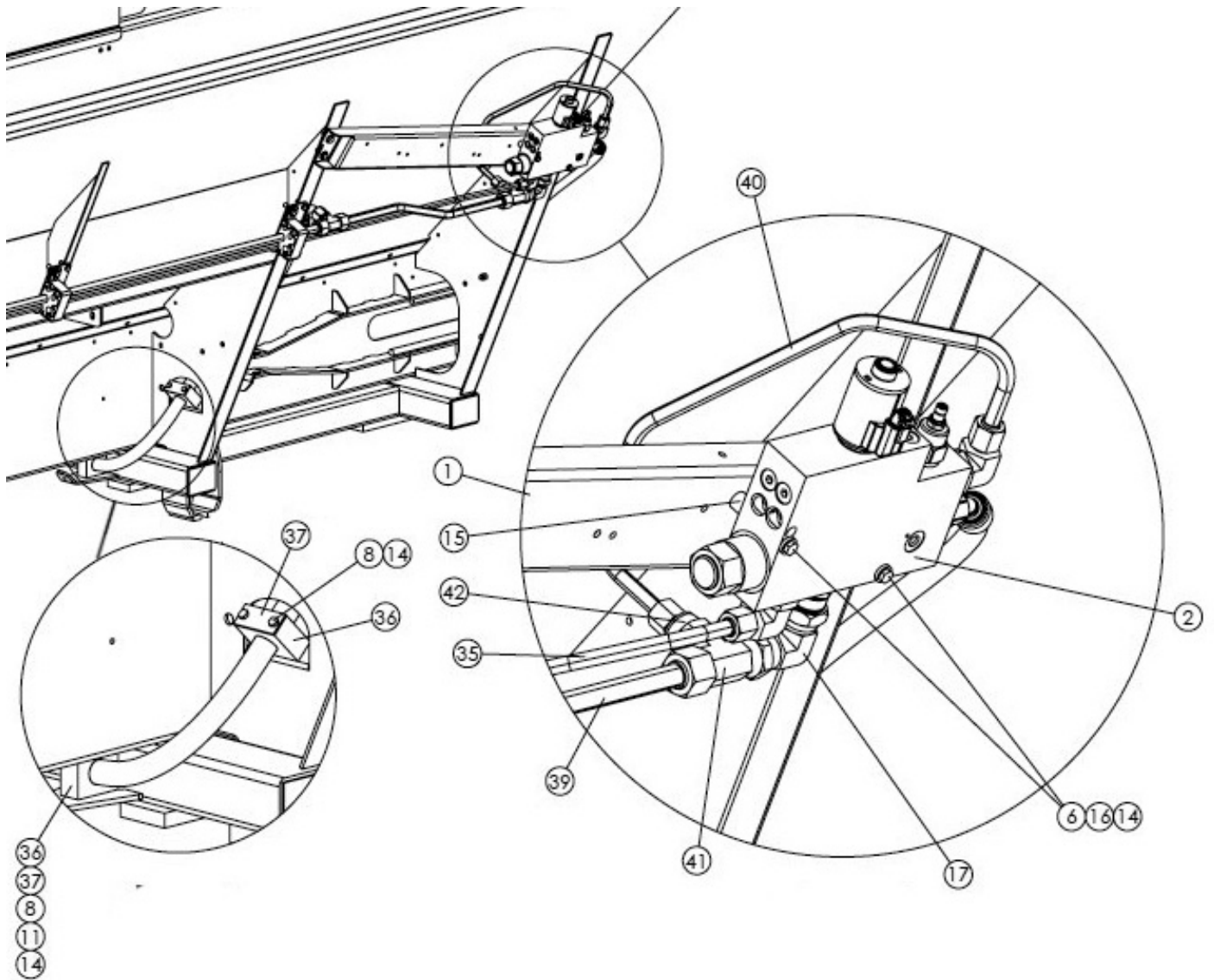
Body Hydraulics

MultApplier



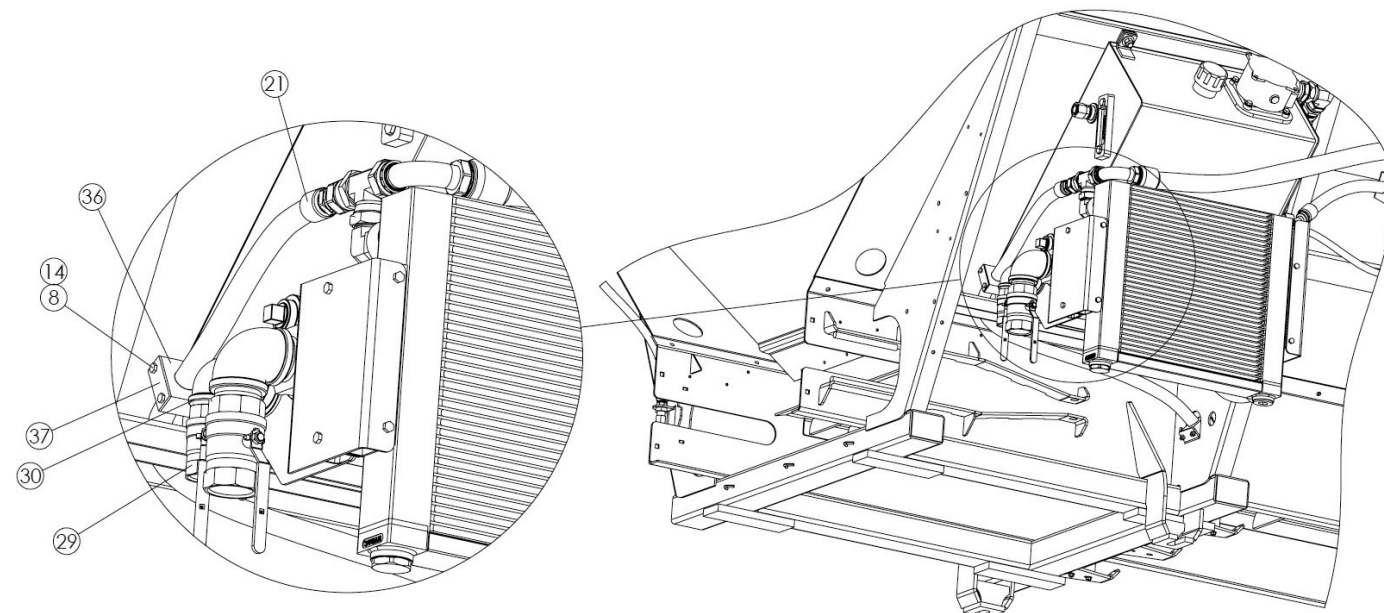
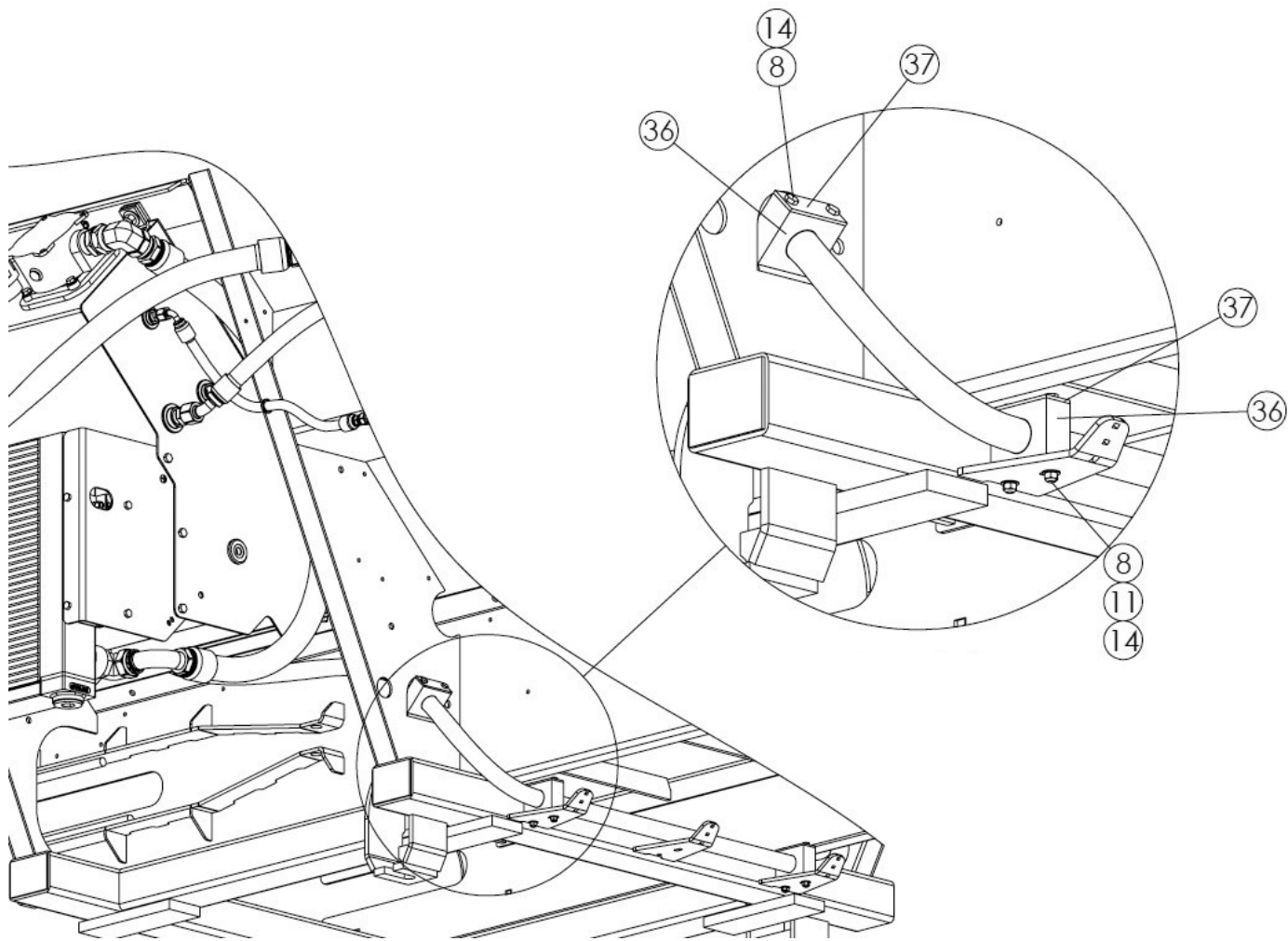
Body Hydraulics

MultApplier Cont.



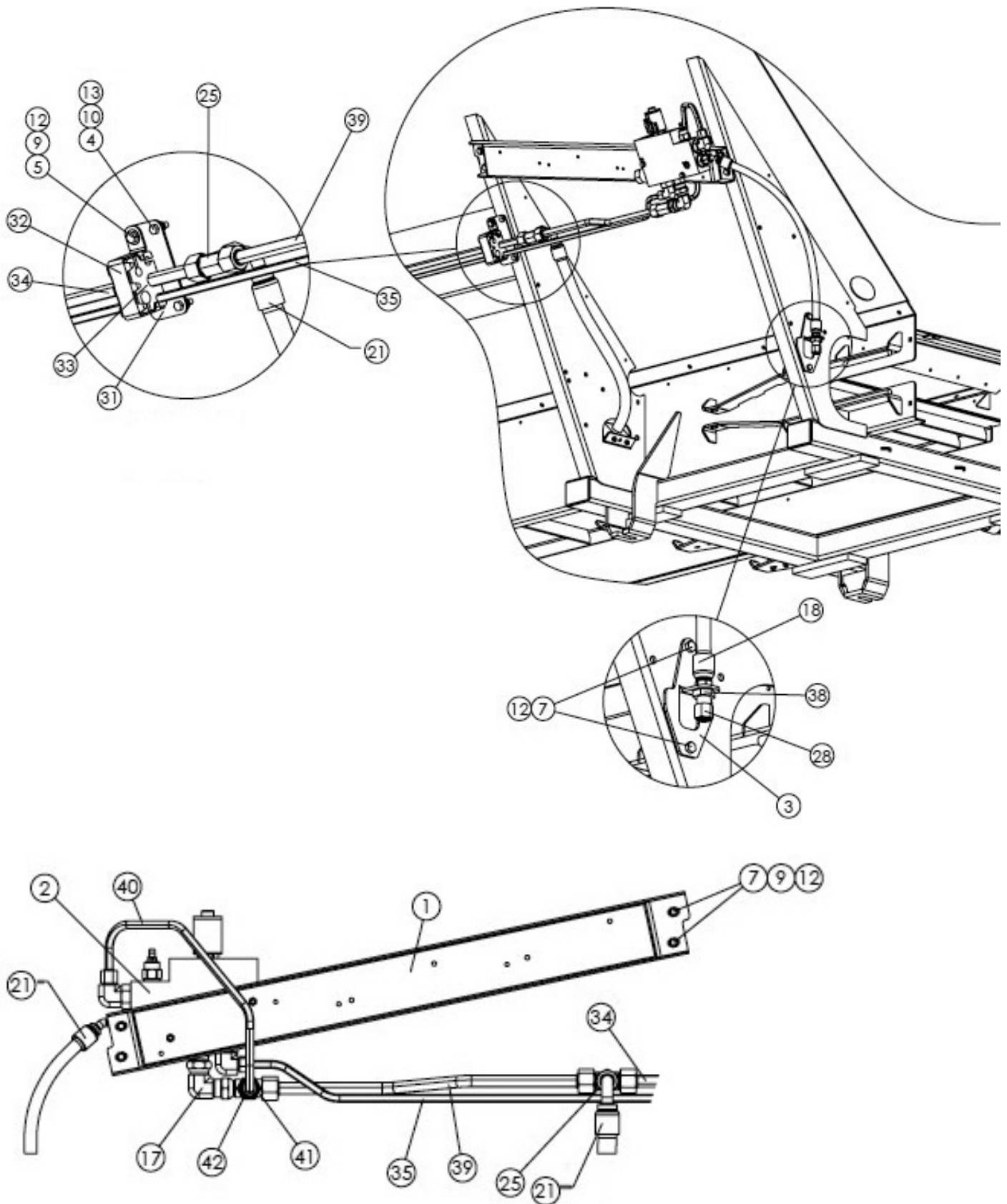
Body Hydraulics

MultApplier Cont.



Body Hydraulics

MultApplier Cont.



Body Hydraulics**MultApplier Cont.**

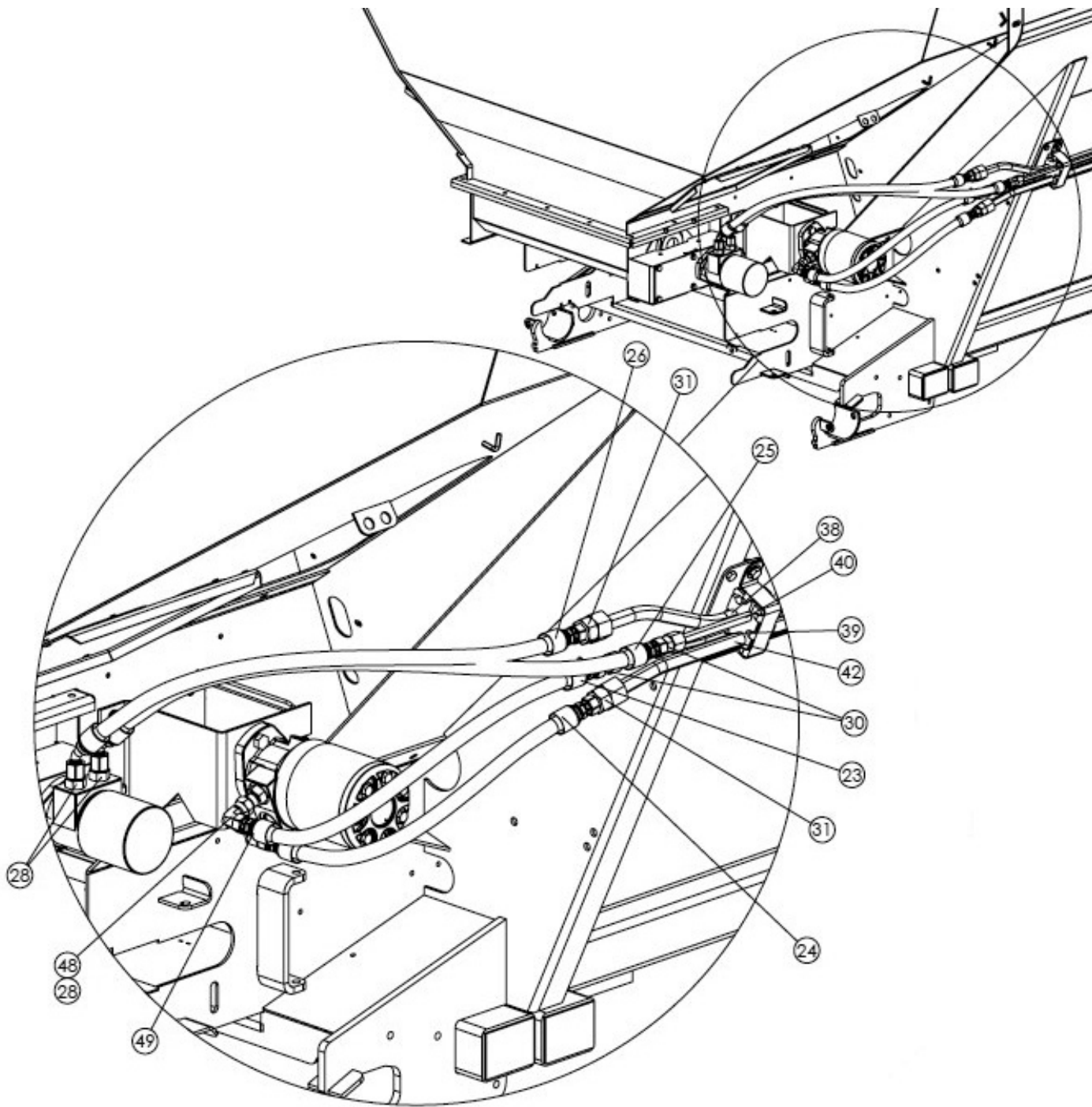
<u>ITEM</u>	<u>PART NO.</u>	<u>DESCRIPTION</u>	<u>QTY</u>
1	313388	Bracket - Valve Mntg Sfp	1
2	318205	Valve - Assy W/Relief	1
3	313994	Plate - Hose Mount 304	1
4	34580	Capscrew - .313-18nc X 1 SS	8
5	36399	Capscrew - .375-16nc X 1.25 SS	4
6	56396	Capscrew - .25-20nc X 3.25 SS	2
7	36398	Capscrew - .375-16nc X 1 SS	6
8	36396	Capscrew - .25-20nc X 3 SS	10
9	36425	Washer - Flat .375 SS	8
10	36424	Washer - Flat .313 SS	8
11	36423	Washer - Flat .25 SS	4
12	72054	Nut - Lock .375-16nc SS	10
13	42221	Nut - Lock .313-18nc SS	8
14	42034	Nut - Lock .25-20nc SS	12
15	302098	Washer - Step .25id X .40od X .5thk	2
16	302097	Washer - Step .25id X .40od X .13thk	2
17	313473	Fitting - 12-12 520221	1
18	313579	Hose - Assy .5 X 29.5 100r1	1
19	313578	Hose - Assy .5 X 25.5 100r1 SS	1
20	313659	Hose - Assy .5 X 24 100r1 SS	1
21	313660	Hose - Assy .75 X 132 100r4	1
22	313481	Fitting - 8-8 520221s 304	1
23	313480	Fitting - 8-10 520120s 304	1
24	313479	Fitting - 8-10 520220s 304	1
25	313476	Fitting - 12-12-12 520401	1
26	313477	Fitting - 8-8 520101s 304	1
27	313478	Fitting - 12-8 520101s 304	1
28	313470	Fitting - 8 520112	1
29	305059	Valve - Ball 1.25 Npt	1
30	6028	Nipple - Pipe 1.25npt X 1.625	1
31	313389	Plate - Brkt Tube Clamp Mntg	4

MultApplier Cont.

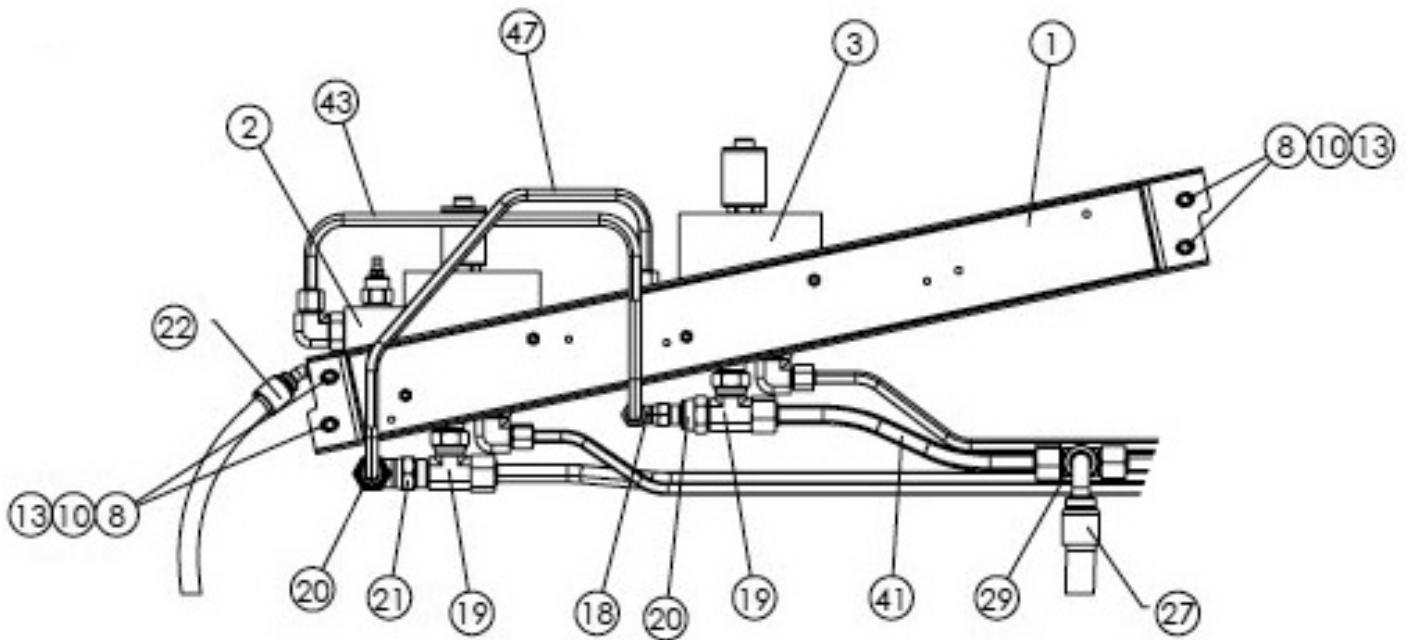
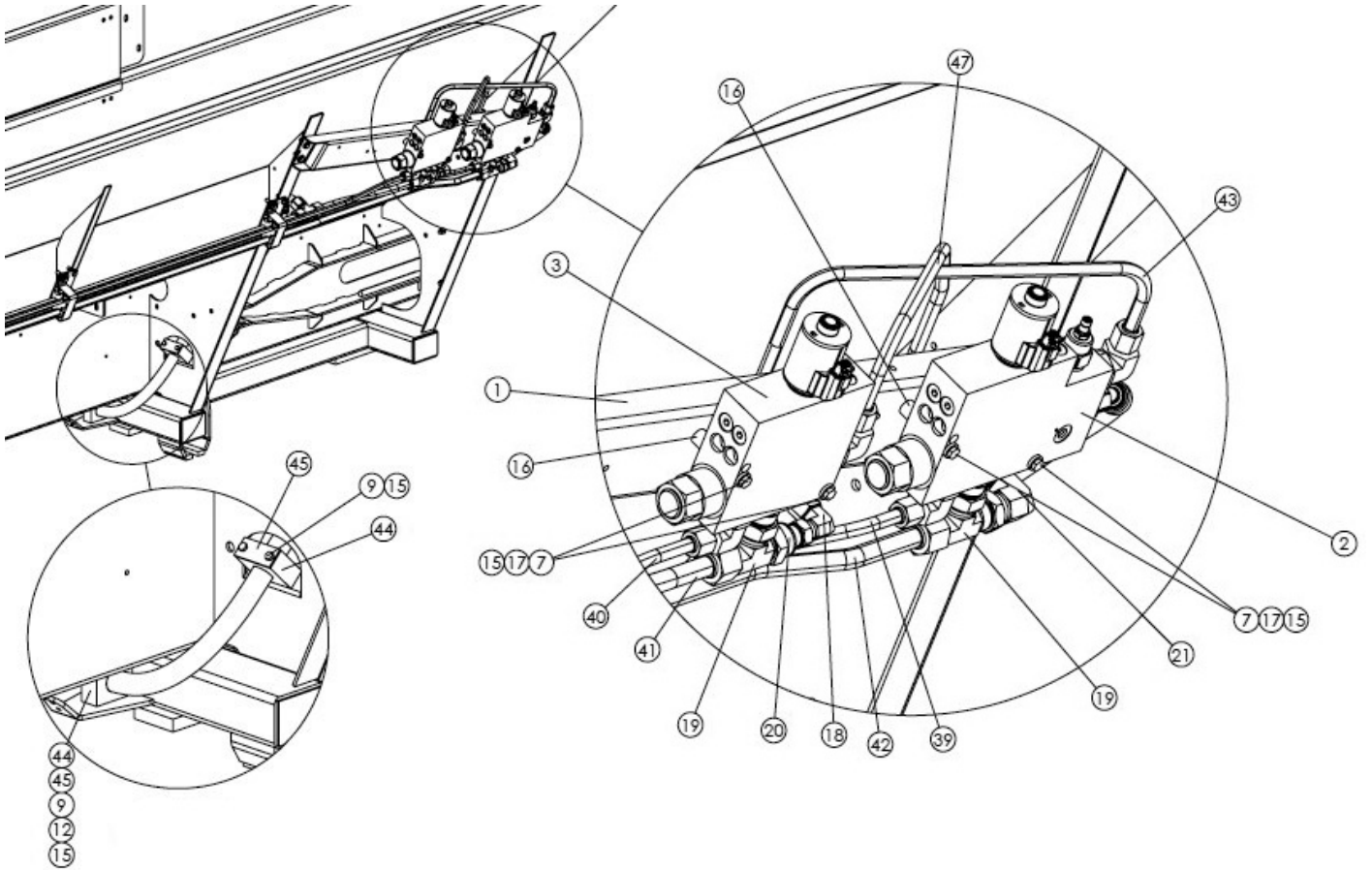
<u>ITEM</u>	<u>PART NO.</u>	<u>DESCRIPTION</u>	<u>QTY</u>
32	313390	Clamp - Bar Tube 304	4
33	313391	Clamp - Rubber Insert	4
34	313339	Tube - Assy .75od X .049 X 119.5 304	1
35	313338	Tube - Assy .5od X .049 X 141.88 304	1
36	96926	Clamp - Pair 1.25 Tube	5
37	96925	Plate - Top 1.25 Tube SS	5
38	313469	Fitting - 8 520118	1
39	313340	Tube - Assy .75od X .049 X 20.42 304	1
40	313341	Tube - Assy .5od X .049 304	1
41	313474	Fitting - 12-12-12 520432	1
42	313475	Fitting - 12-8 520123a	1

Body Hydraulics

MultiBin, Single Micro

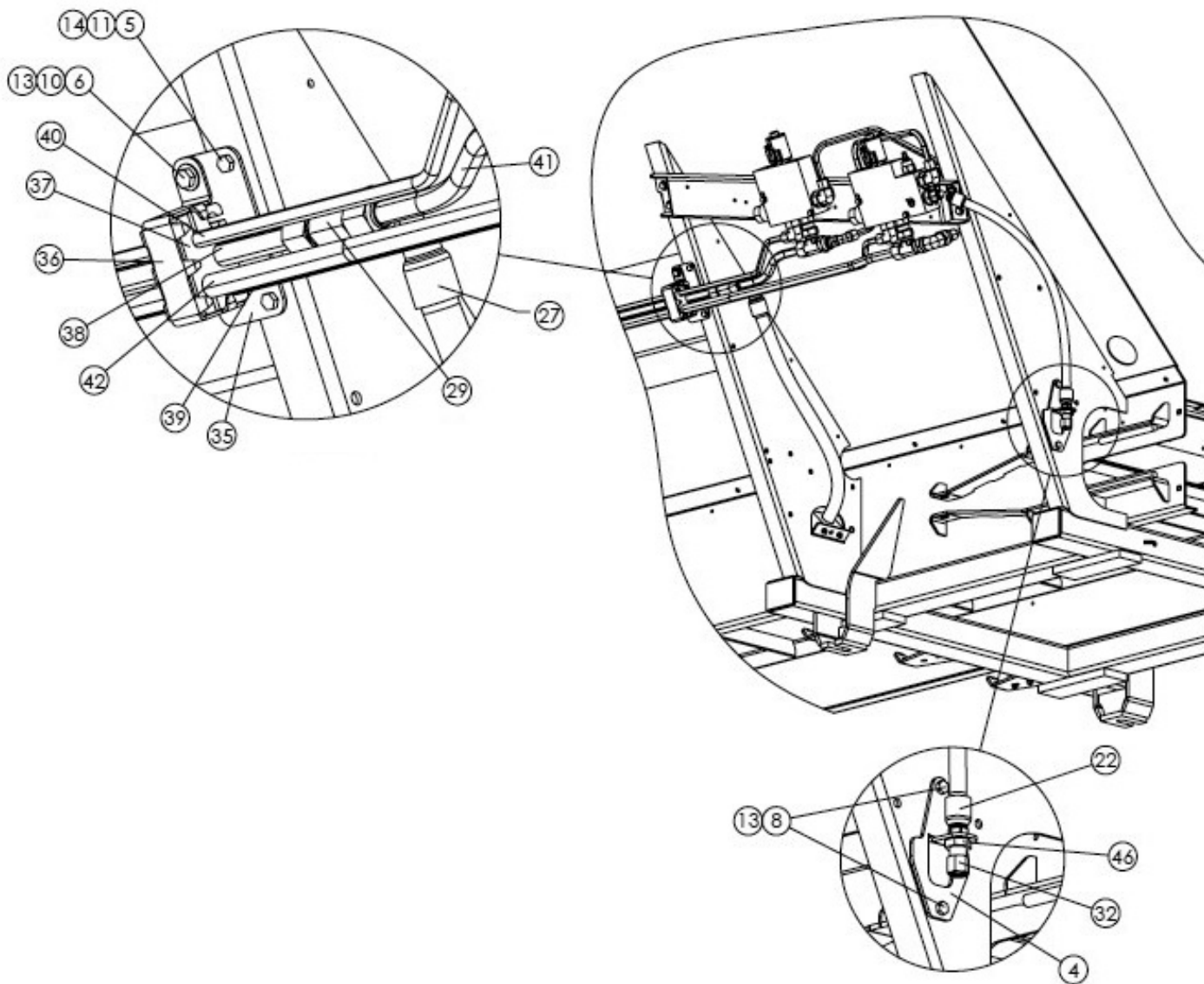


MultiBin, Single Micro



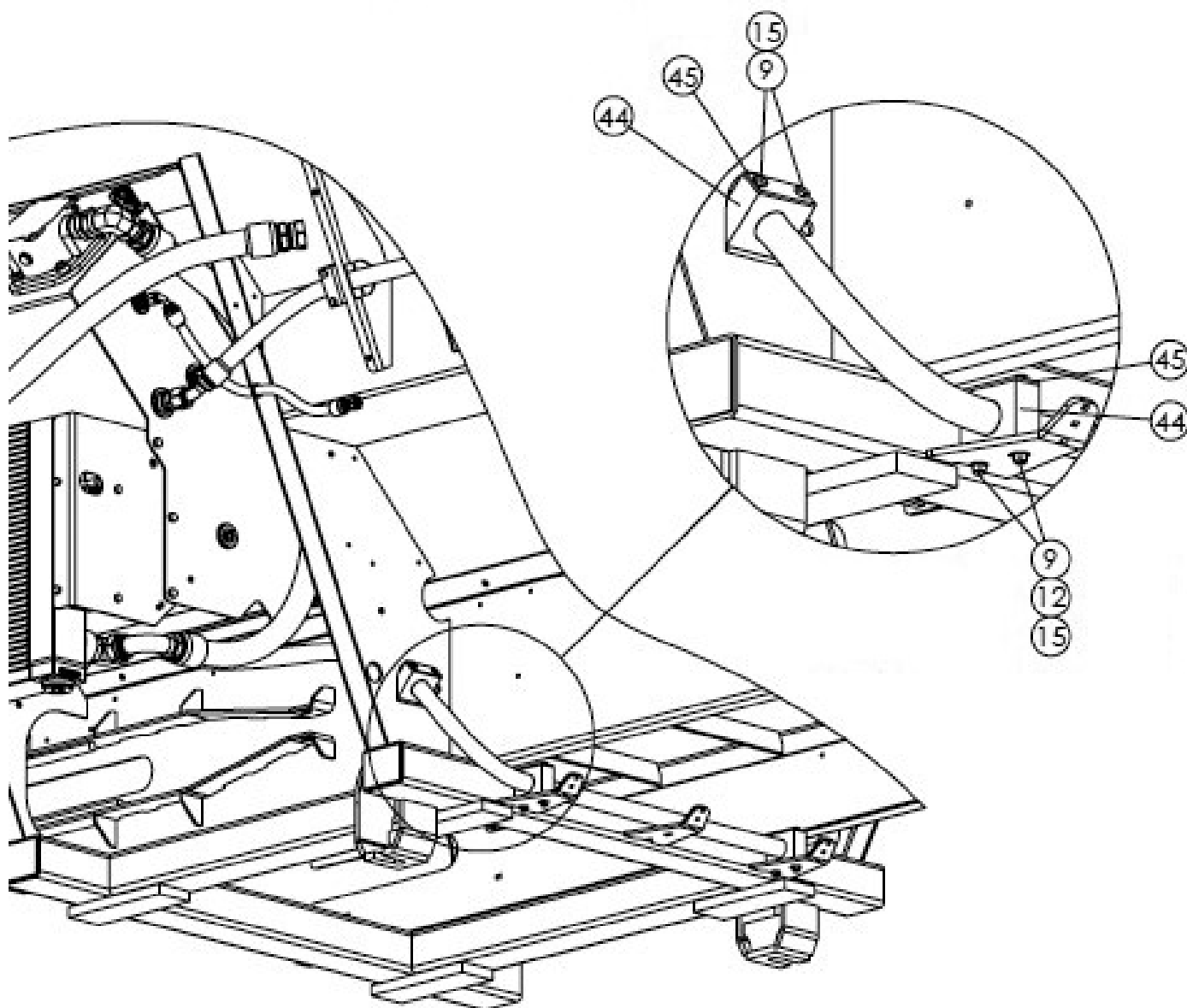
Body Hydraulics

MultiBin, Single Micro



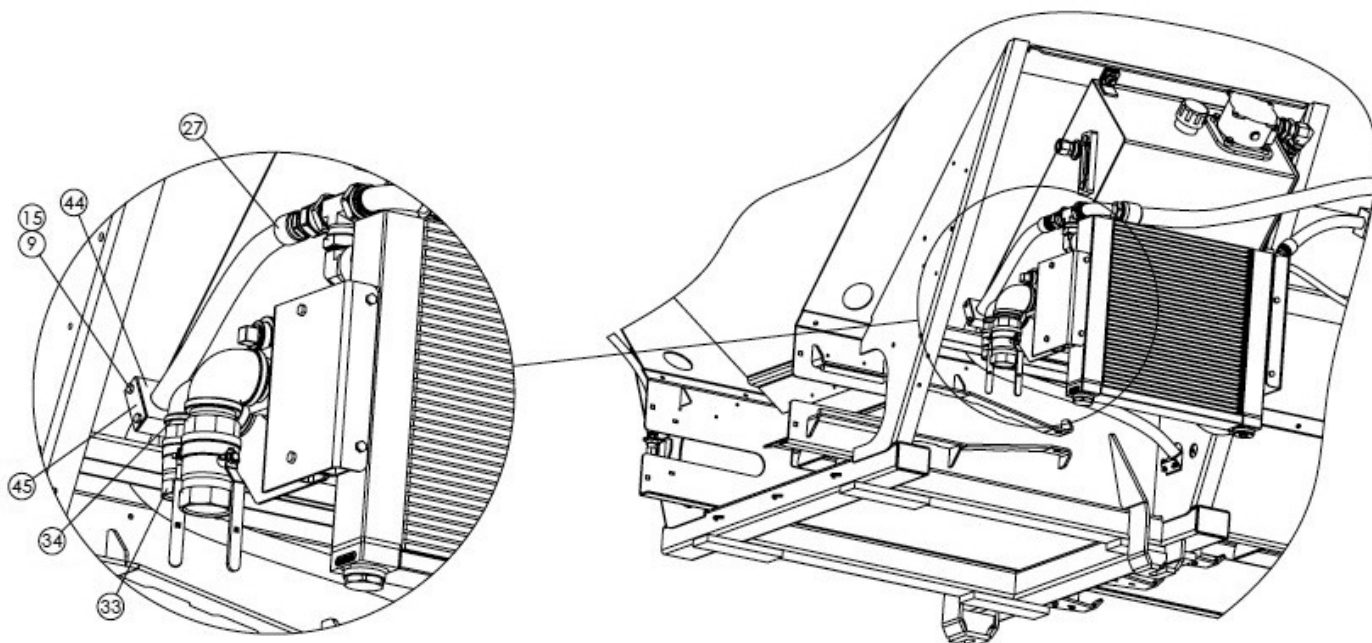
Body Hydraulics

MultiBin, Single Micro



Body Hydraulics

MultiBin, Single Micro



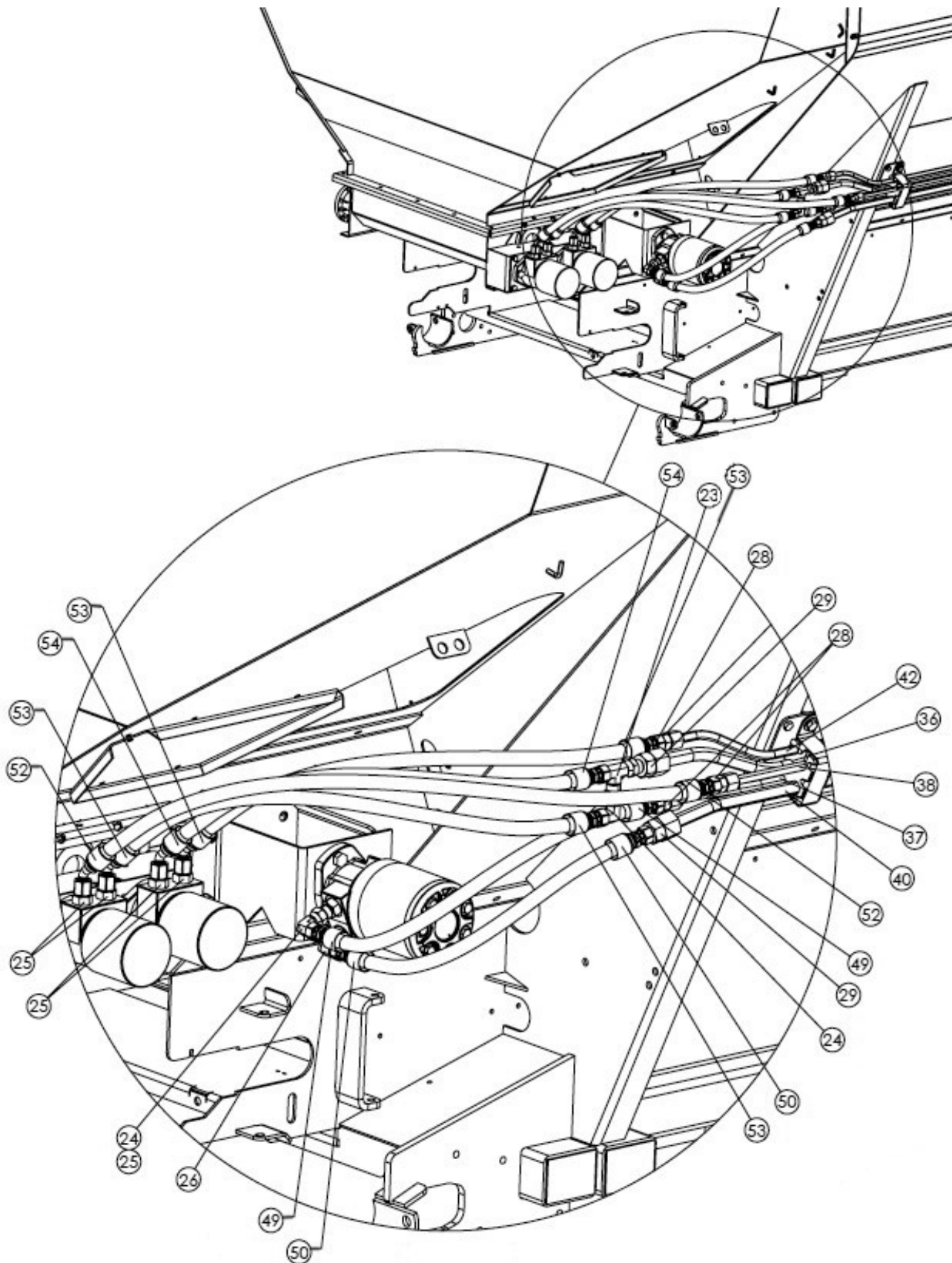
ITEM	PART NO.	DESCRIPTION	QTY
	318304	Hydraulics - Group 14' Mb Single Micro	
1	313388	Bracket - Valve Mntg Sfp	1
2	318205	Valve - Assy W/Relief	1
3	318207	Valve - Assy	1
4	313994	Plate - Hose Mount 304	1
5	34580	Capscrew - .313-18nc X 1 SS	8
6	36399	Capscrew - .375-16nc X 1.25 SS	4
7	56396	Capscrew - .25-20nc X 3.25 SS	4
8	36398	Capscrew - .375-16nc X 1 SS	6
9	36396	Capscrew - .25-20nc X 3 SS	10
10	36425	Washer - Flat .375 SS	8
11	36424	Washer - Flat .313 SS	8
12	36423	Washer - Flat .25 SS	4
13	72054	Nut - Lock .375-16nc SS	10
14	42221	Nut - Lock .313-18nc SS	8
15	42034	Nut - Lock .25-20nc SS	14
16	302098	Washer - Step .25id X .40od X .5THK	4
17	302097	Washer - Step .25id X .40od X .13THK	4
18	304306	Fitting - 8-8 520221	1

Body Hydraulics**MultiBin, Single Micro**

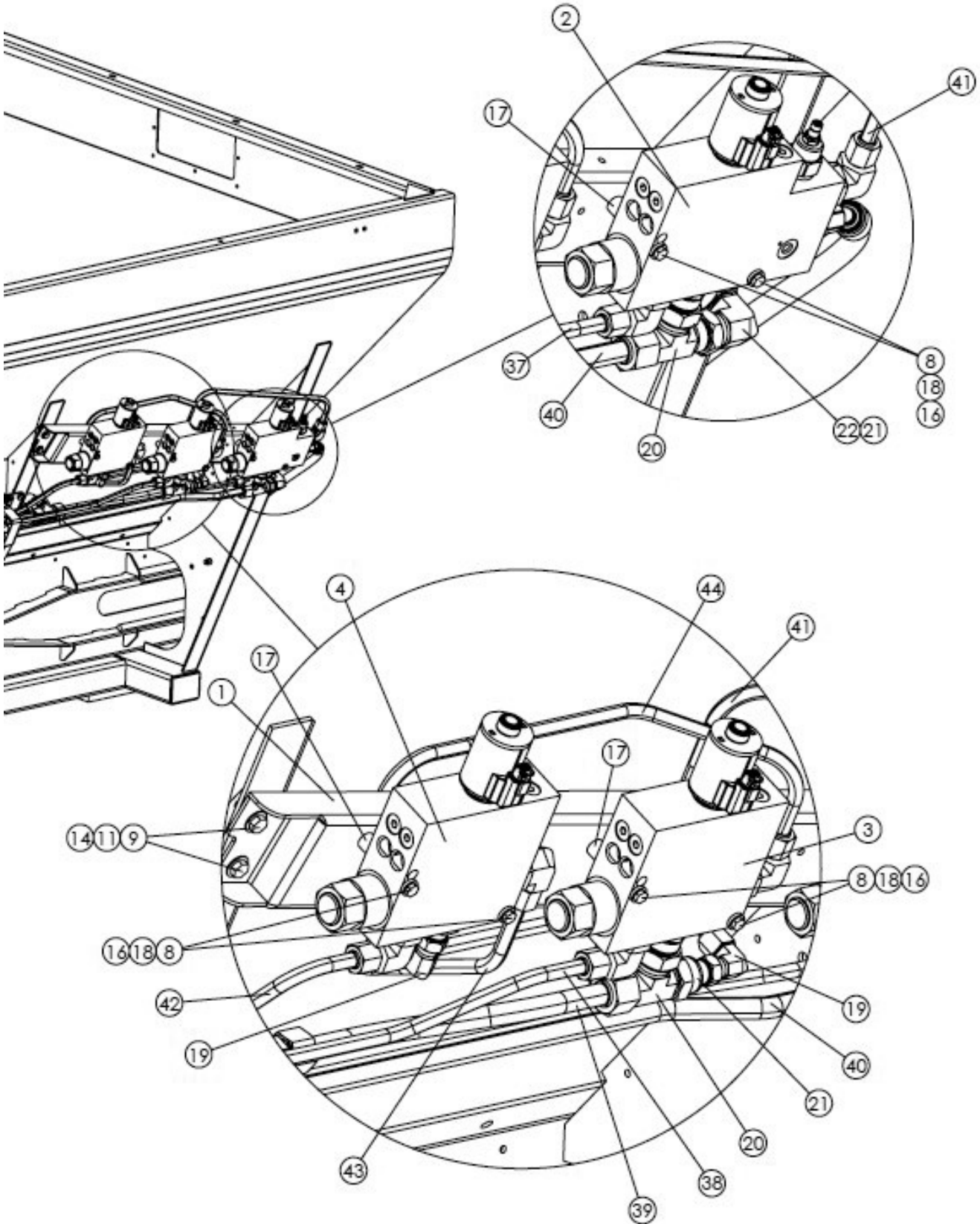
<u>ITEM</u>	<u>PART NO.</u>	<u>DESCRIPTION</u>	<u>QTY</u>
19	313462	Fitting - 12-12-12 520433	2
20	313475	Fitting - 12-8 520123a	2
21	313473	Fitting - 12-12 520221	1
22	313579	Hose - Assy .5 X 29.5 100r1	1
23	313578	Hose - Assy .5 X 25.5 100r1 SS	1
24	313659	Hose - Assy .5 X 24 100r1 SS	1
25	313576	Hose - Assy .5 X 33.5 100r1 SS	1
26	313577	Hose - Assy .5 X 30.5 100r1 SS	1
27	313660	Hose - Assy .75 X 132 100r4	1
28	313480	Fitting - 8-10 520120s 304	3
29	313476	Fitting - 12-12-12 520401	1
30	313477	Fitting - 8-8 520101s 304	2
31	313478	Fitting - 12-8 520101s 304	2
32	313470	Fitting - 8 520112	1
33	305059	Valve - Ball 1.25 Npt	1
34	6028	Nipple - Pipe 1.25npt X 1.625	1
35	313389	Plate - Brkt Tube Clamp Mntg	4
36	313390	Clamp - Bar Tube 304	4
37	313391	Clamp - Rubber Insert	4
38	313339	Tube - Assy .75od X .049 X 119.5 304	1
39	313338	Tube - Assy .5od X .049 X 141.88 304	1
40	313342	Tube - Assy .5od X .049 X 129	1
41	313344	Tube - Assy .75od X .049 X 11.77 304	1
42	313345	Tube - Assy .75od X .065 X 146.09 304	1
43	313346	Tube - Assy .5od X .049 304	1
44	96926	Clamp - Pair 1.25 Tube	5
45	96925	Plate - Top 1.25 Tube SS	5
46	313469	Fitting - 8 520118	1
47	313347	Tube - Assy .5od X .049 304	1
48	313481	Fitting - 8-8 520221s 304	1
49	313479	Fitting - 8-10 520220s 304	1

Body Hydraulics

MultiBin, Dual Micro

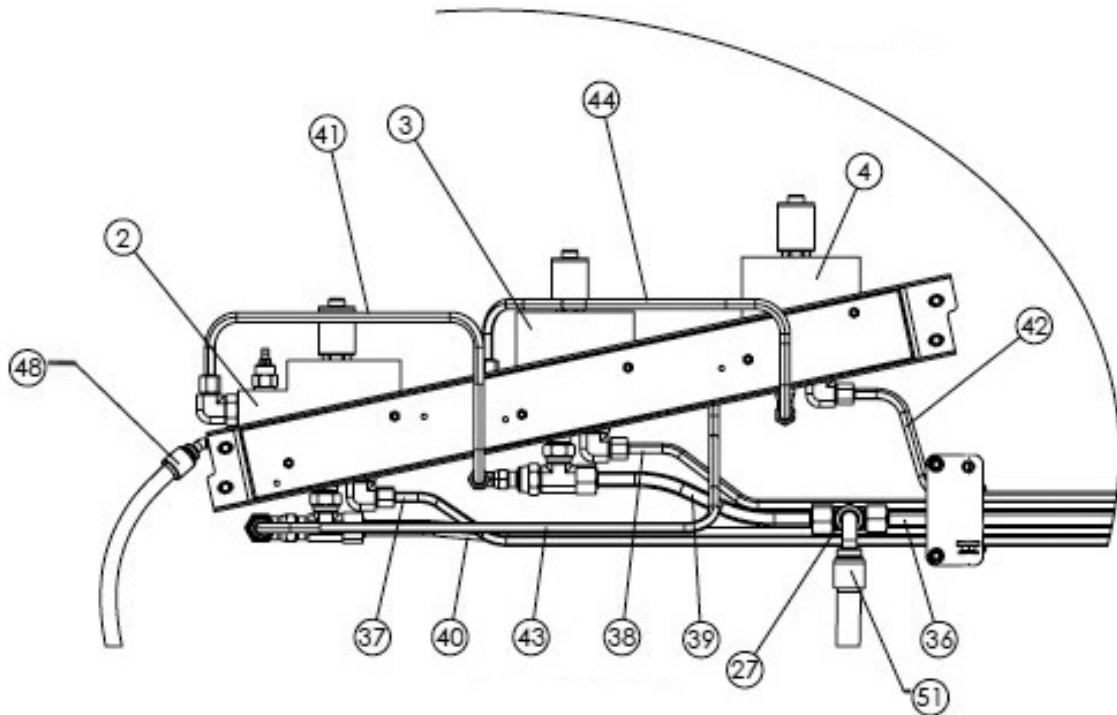
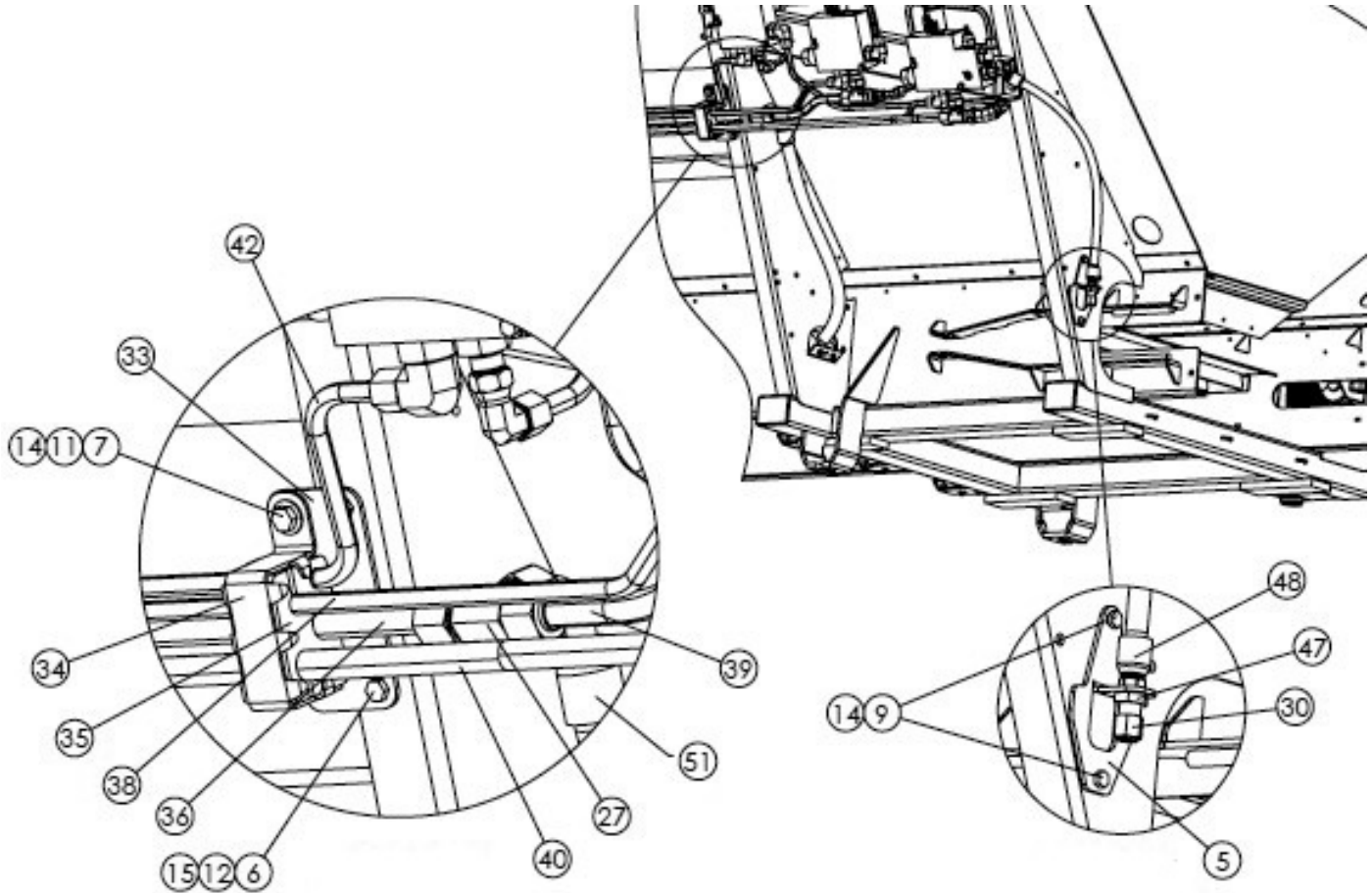


MultiBin, Dual Micro

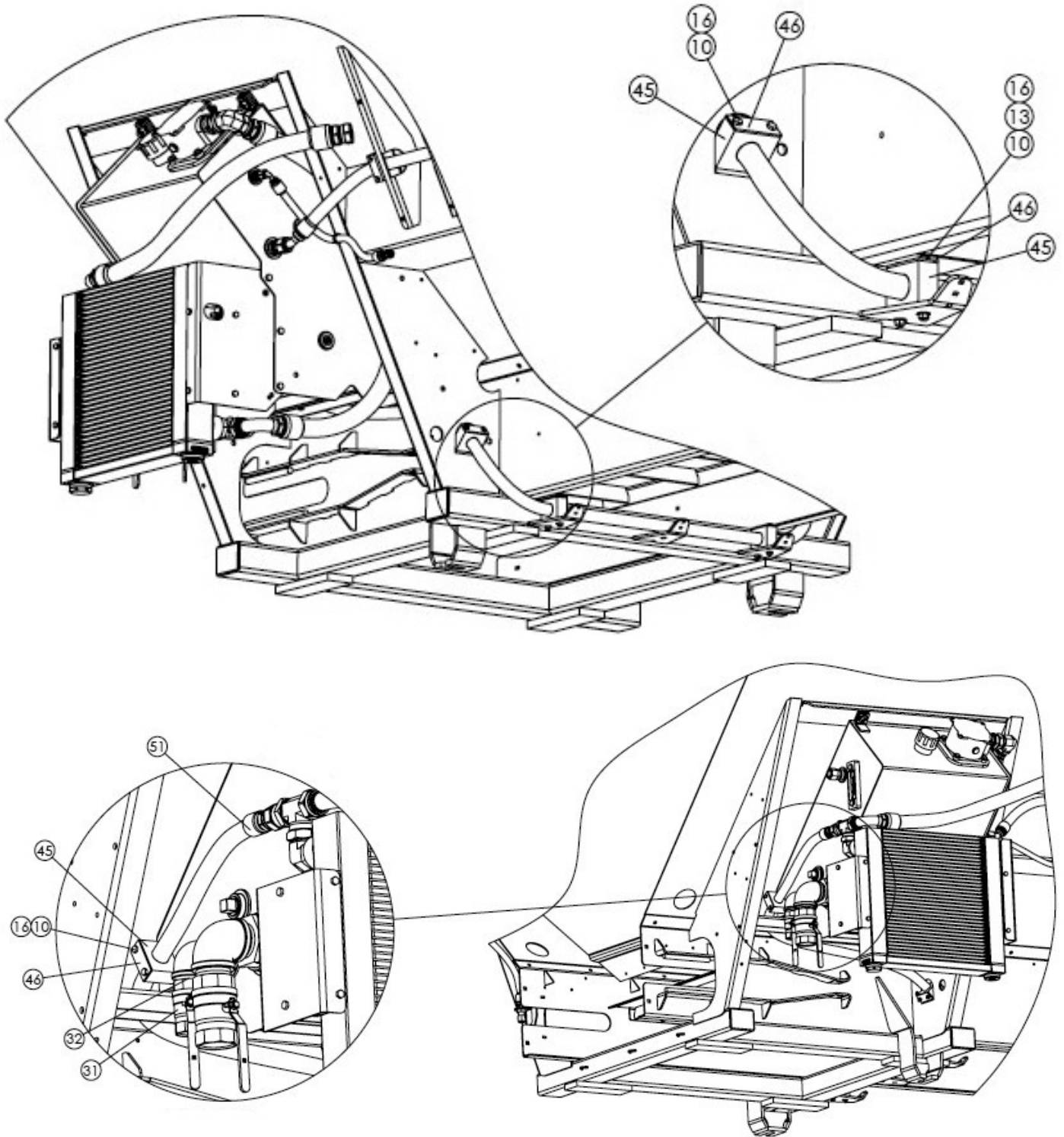


Body Hydraulics

MultiBin, Dual Micro

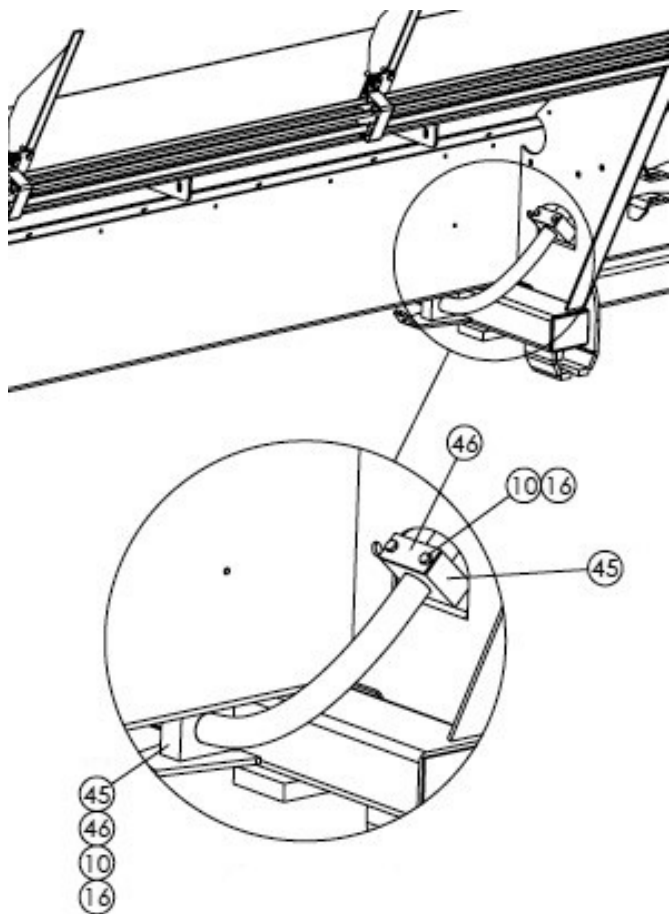


MultiBin, Dual Micro



Body Hydraulics

MultiBin, Dual Micro



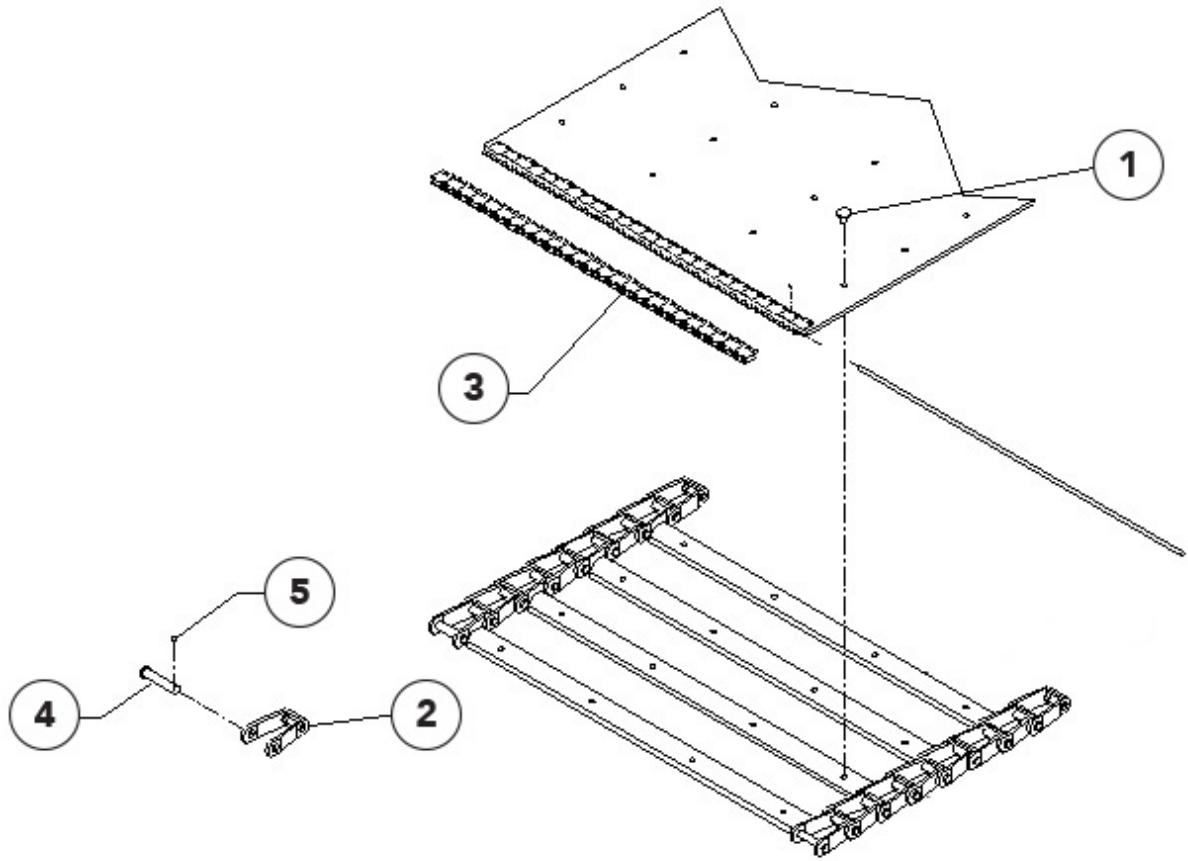
MultiBin, Dual Micro

<u>ITEM</u>	<u>PART NO.</u>	<u>DESCRIPTION</u>	<u>QTY</u>
	318304	Hydraulics - Group 14' Mb Single Micro	
1	313388	Bracket - Valve Mntg Sfp	1
2	318205	Valve - Assy W/Relief	1
3	318207	Valve - Assy	1
4	318209	Valve - Assy	1
5	313994	Plate - Hose Mount 304	1
6	34580	Capscrew - .313-18nc X 1 SS	8
7	36399	Capscrew - .375-16nc X 1.25 SS	4
8	56396	Capscrew - .25-20nc X 3.25 SS	6
9	36398	Capscrew - .375-16nc X 1 SS	6
10	36396	Capscrew - .25-20nc X 3 SS	10
11	36425	Washer - Flat .375 SS	8
12	36424	Washer - Flat .313 SS	8
13	36423	Washer - Flat .25 SS	4
14	72054	Nut - Lock .375-16nc SS	10
15	42221	Nut - Lock .313-18nc SS	8
16	42034	Nut - Lock .25-20nc SS	16
17	302098	Washer - Step .25id X .40od X .5THK	6
18	302097	Washer - Step .25id X .40od X .13THK	6
19	304306	Fitting - 8-8 520221	2
20	313462	Fitting - 12-12-12 520433	2
21	313475	Fitting - 12-8 520123a	2
22	313473	Fitting - 12-12 520221	1
23	313484	Fitting - 8-8-8 520432s 304	1
24	313481	Fitting - 8-8 520221s 304	2
25	313480	Fitting - 8-10 520120s 304	5
26	313479	Fitting - 8-10 520220s 304	1
27	313476	Fitting - 12-12-12 520401	1
28	313477	Fitting - 8-8 520101s 304	3
29	313478	Fitting - 12-8 520101s 304	2
30	313470	Fitting - 8 520112	1

MultiBin, Dual Micro

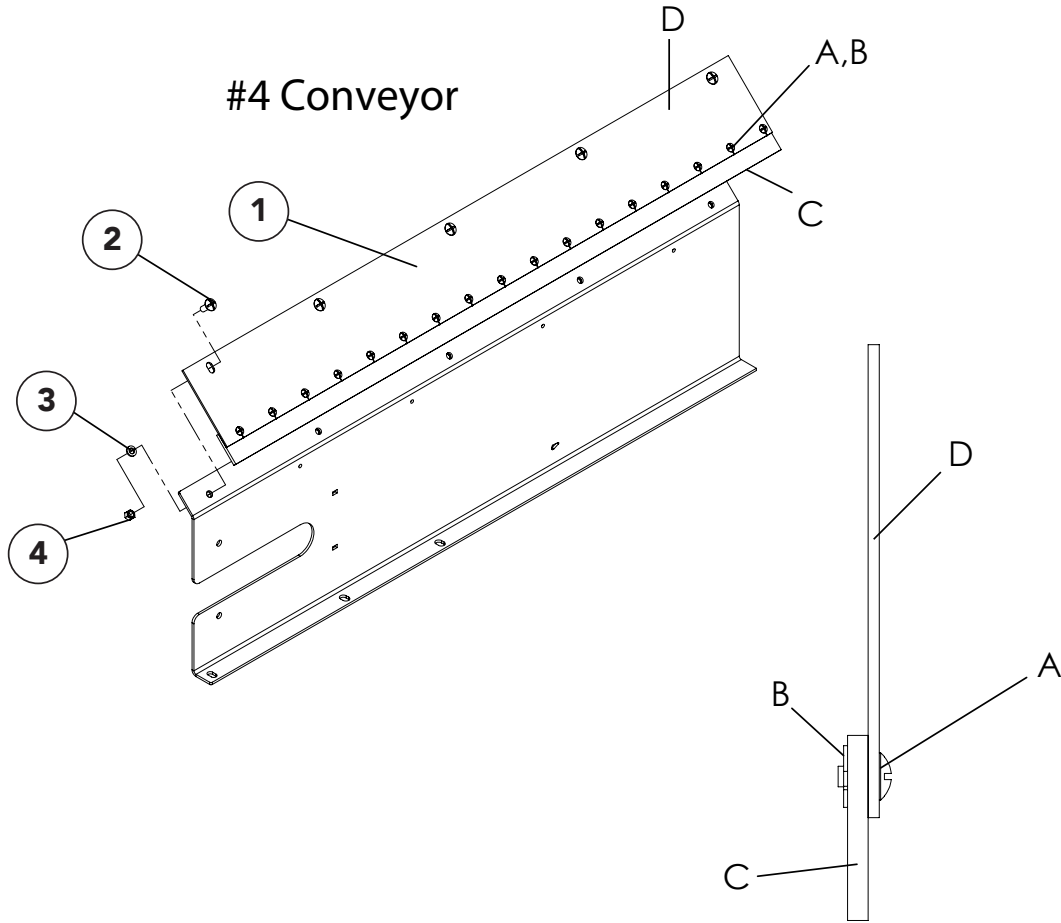
<u>ITEM</u>	<u>PART NO.</u>	<u>DESCRIPTION</u>	<u>QTY</u>
31	305059	Valve - Ball 1.25 Npt	1
32	6028	Nipple - Pipe 1.25npt X 1.625	1
33	313389	Plate - Brkt Tube Clamp Mntg	4
34	313390	Clamp - Bar Tube 304	4
35	313391	Clamp - Rubber Insert	4
36	313339	Tube - Assy .75od X .049 X 119.5 304	1
37	313338	Tube - Assy .5od X .049 X 141.88 304	1
38	313342	Tube - Assy .5od X .049 X 129	1
39	313344	Tube - Assy .75od X .049 X 11.77 304	1
40	313345	Tube - Assy .75od X .065 X 146.09 304	1
41	313346	Tube - Assy .5od X .049 304	1
42	313348	Tube - Assy .5od X .049 X 118.75 304	1
43	313349	Tube - Assy .5od X .049 304	1
44	313350	Tube - Assy .5od X .049 304	1
45	96926	Clamp - Pair 1.25 Tube	5
46	96925	Plate - Top 1.25 Tube SS	5
47	313469	Fitting - 8 520118	1
48	313579	Hose - Assy .5 X 29.5 100r1	1
49	313578	Hose - Assy .5 X 25.5 100r1 SS	1
50	313659	Hose - Assy .5 X 24 100r1 SS	1

#4 Belt-Over-Chain Conveyor



<u>ITEM</u>	<u>PART NO.</u>	<u>DESCRIPTION</u>	<u>QTY</u>
	311465-AC	Belt-Over-Chain - #4 14' MOR	1
1	305646	Screw - #4BOC 1/4 x 9/16 torx Flat Head	AR
2	310295	Crossbar - Wldmt w/ Links, Includes Items 4 & 5	AR
3	73317	Kit - Splicer	1
4	36697	Pin - Pintle Chain	AR
5	20817	Pin - Cotter	AR
6	36699	Link - Pintle Chain	AR

Chain Shields

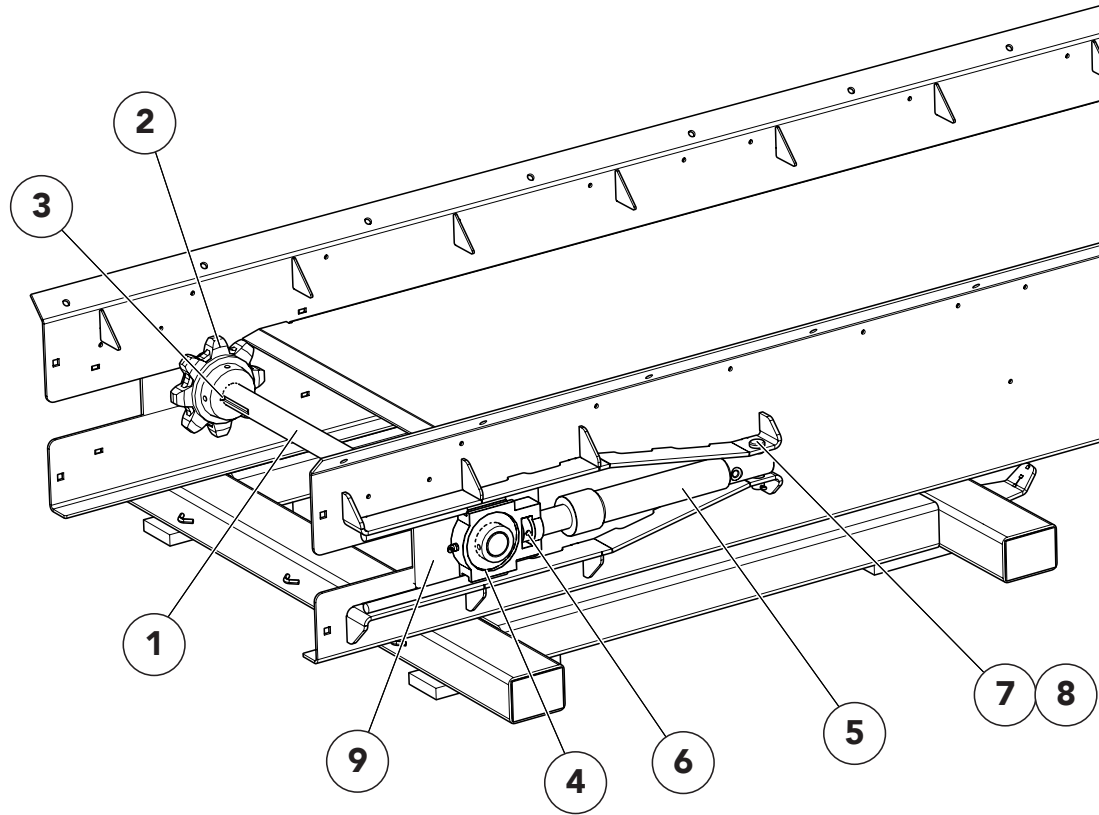


ITEM	PART NO.	DESCRIPTION	QTY
			14'
1	314433	Chain Shield – #4 Chain 13', Includes A - C	--
	313234	Chain Shield – #4 Chain 14', Includes A - C	2
A	56258	Screw – Truss Head 1/4-20NC x 1/2 SS	60
B	88931	Nut – Tee 1/4 x 1/4	60
C	313235	Sealer - Belt, #4 BOC Shield	AR
2	71829	Screw - Truss Head 3/8-16NC x 1 SS	32
3	36420	Washer – Lock 3/8-16NC SS	32
4	36414	Nut – Hex 3/8-16NC SS	32

AR - As Required

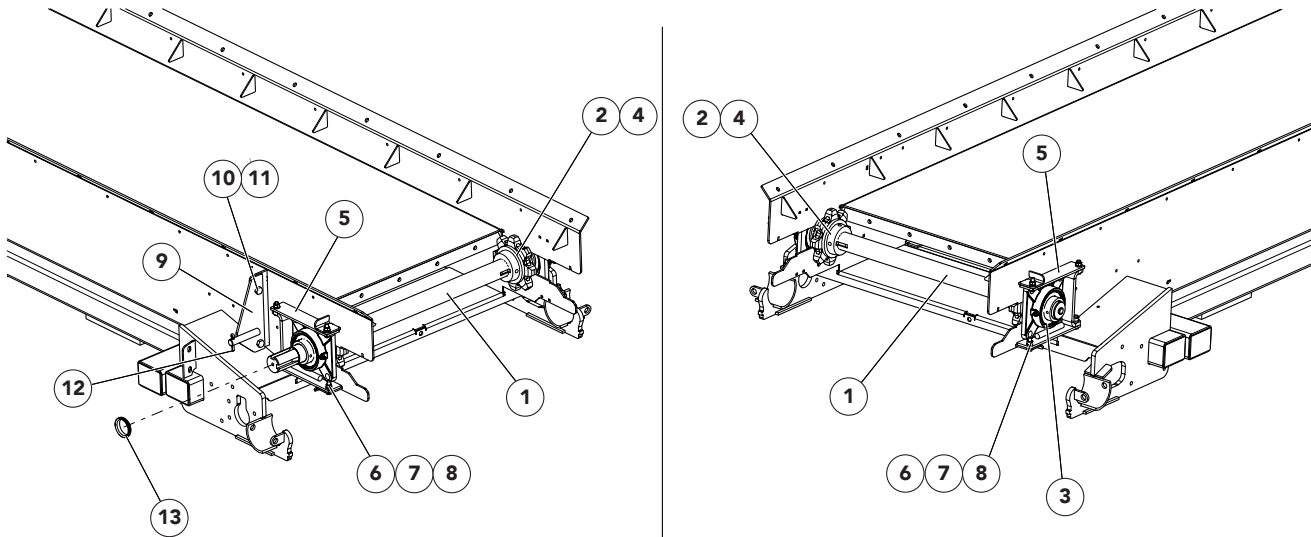
Conveyor

Conveyor Idler



<u>ITEM</u>	<u>PART NO.</u>	<u>DESCRIPTION</u>	<u>QTY</u>
	97053	Shaft - Idler Assembly, Includes Items 1 - 4	1
1	82799	Shaft - Idler	1
2	97051	Sprocket - Idler	2
3	2135	Key - Square 5/16 x 2-1/2	2
4	22511	Bearing - Take-up	2
5	320255	Cylinder - Ram 1-1/2 x 8"	2
	312939	Kit - Seal, Snap-in Rod Wiper	1
	312939	Kit - Seal, Press-in Rod Wiper	1
6	2696	Collar - Set 1"	2
7	89630	Pin - Clevis 3/4 x 2-3/4	2
8	20822	Pin - Cotter	2
9	311670	Plate - Cover	2

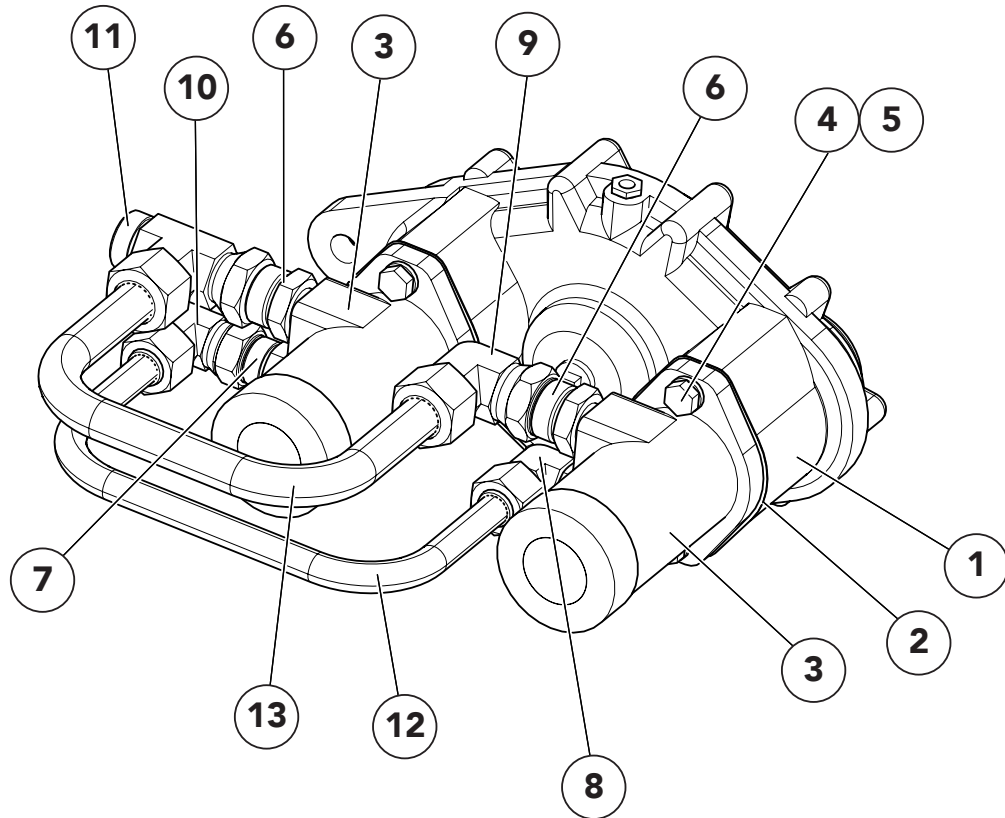
Conveyor Drive



ITEM	PART NO.	DESCRIPTION	QTY
	97052	Shaft - Drive Assy, Includes Items 1 - 5	
1	310606	Shaft - Drive	1
2	88276	Sprocket	2
	20743	Screw - Set 5/16-18NC x 3/8	1
3	6465	Bearing	2
4	6131	Key - Square 3/8 x 1-1/2	2
5	82885	Guide - Bearing	4
6	36399	Cap Screw - 3/8-16NC x 1-1/4 SS	8
7	36420	Washer - Lock 3/8 SS	8
8	36414	Nut - Hex 3/8-16NC SS	8
9	313231	Mount - Torque Arm Wldmt LH 304	1
10	20128	Cap Screw - 1/2 x 1 1/4	2
11	20680	Nut - Lock 1/2-13NC	2
12	20833	Pin - Cotter 1/4 x 1-1/2	1
13	311172	V-Ring Seal	1

* Not Shown

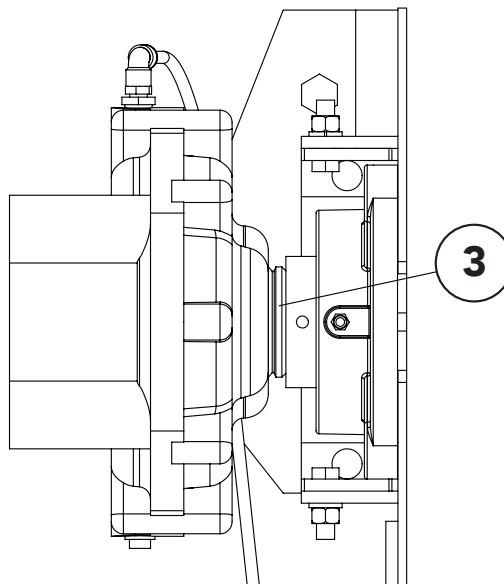
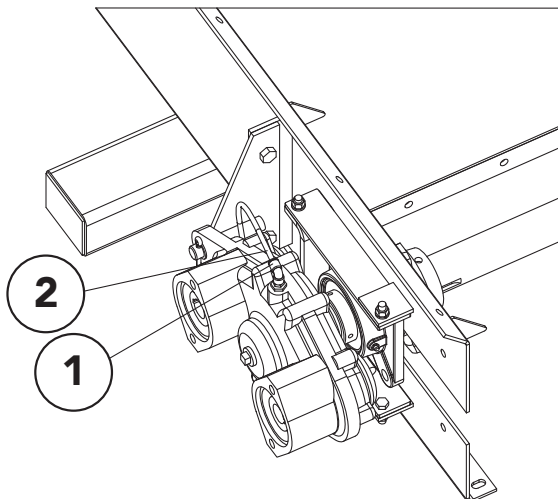
Gearcase Assembly



<u>ITEM</u>	<u>PART NO.</u>	<u>DESCRIPTION</u>	<u>QTY</u>
1	37985	Gearcase - Assy Dual Pinion 6:1	1
2	74524	Gasket - SAE 101-2 (B)	2
3	82459	Motor - Hydraulic 14.1 CID 1-1/4"	2
4	20714	Washer - Lock 1/2	4
5	20129	Cap Screw - 1/2-13NC x 1-1/2	4
6	313460	Fitting - 16-10 520120	2
7	313459	Fitting - 12-10 520120	1
8	313458	Fitting - 12-10 520220	1
9	313461	Fitting - 16-16 520221	1
10	313462	Fitting - 12-12-12 520433	1
11	313463	Fitting - 16-16-16 520432	1
12	313318	Tube - Assy 304	1
13	313319	Tube - Assy 304	1

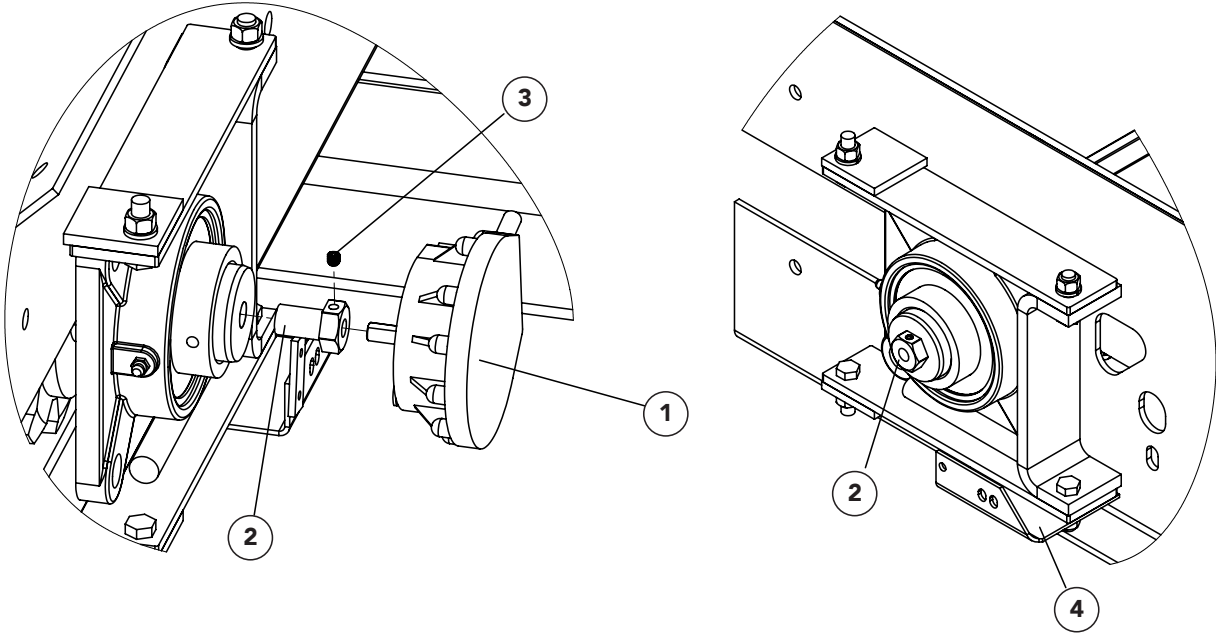
Conveyor

Gearcase Breather Tube



ITEM	PART NO.	DESCRIPTION	QTY
1	306891	Fitting - 4-2 630202K	1
2	9005-0-7761	Tubing - 1/4" OD Air Brake Black	1.5 ft
3	311172	V-Ring Seal	1

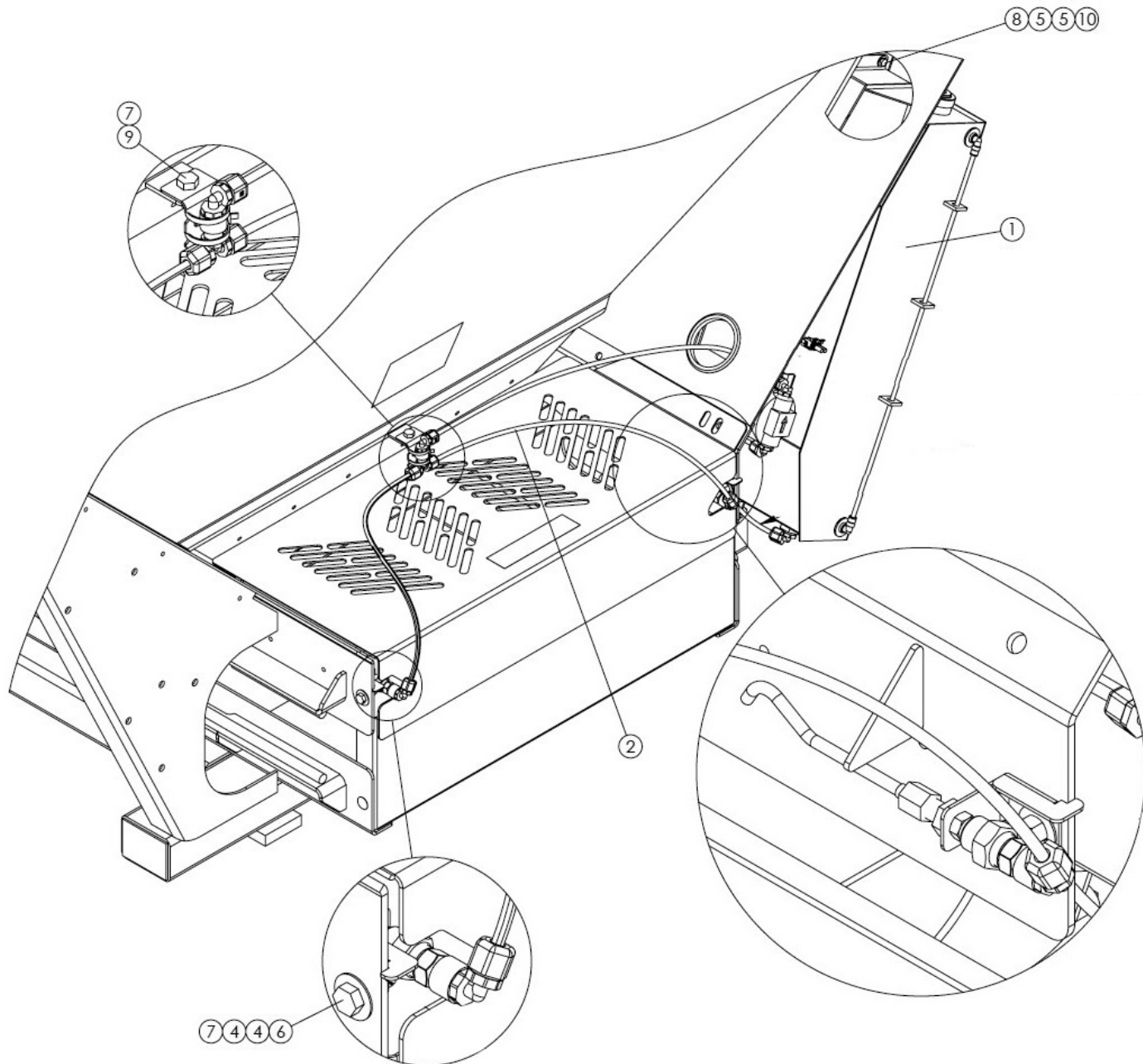
Encoder



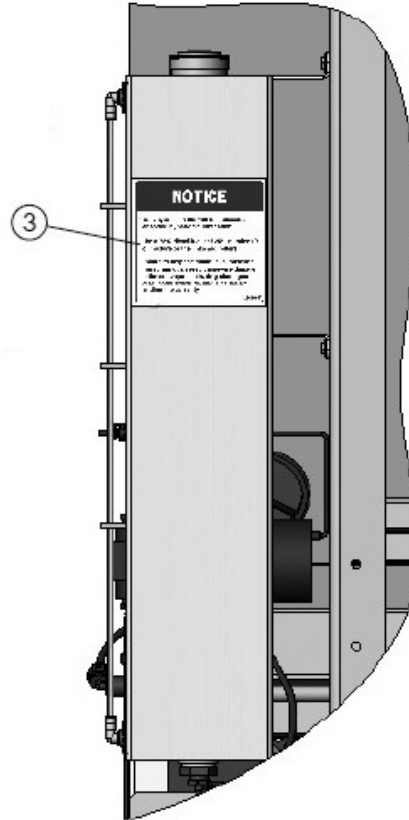
<u>ITEM</u>	<u>PART NO.</u>	<u>DESCRIPTION</u>	<u>QTY</u>
1	303994	Encoder – 180 with Hardware	1
2	310601	Coupler - Rate Sensor SS	1
3	310603	Screw - Set 1/4-20NC x 5/16 SS	1
4	304946	Bracket - Sensor, Drive Mount	1

Conveyor

Conveyor Chain Oiler



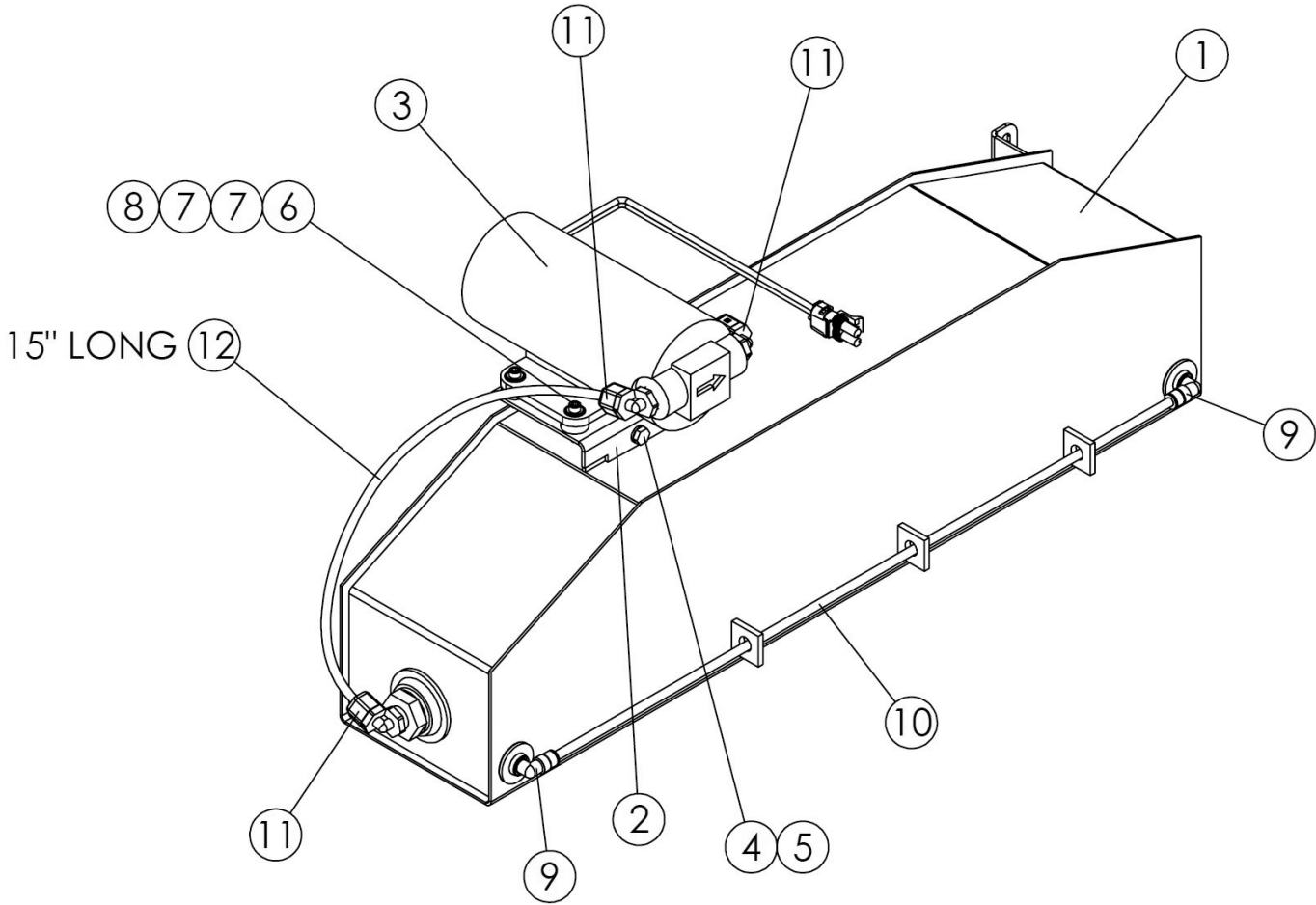
Conveyor Chain Oiler



<u>ITEM</u>	<u>PART NO.</u>	<u>DESCRIPTION</u>	<u>QTY</u>
1	310760	Tank - Assy Oiler 30 Btm W/45°	1
2	314232	Nozzle - Assy Hose	1
3	21476	Decal - Notice Conv Chain Life	1
4	36425	Washer - Flat .375 SS	4
5	36423	Washer - Flat .25 SS	8
6	36398	Capscrew - .375-16nc X 1 SS	2
7	72054	Nut - Lock .375-16nc SS	3
8	36393	Capscrew - .25-20nc X .75 SS	4
9	36293	Capscrew - .375-16nc X .75 SS	1
10	42034	Nut - Lock .25-20nc SS	4

Conveyor

Conveyor Chain Oiler Tank

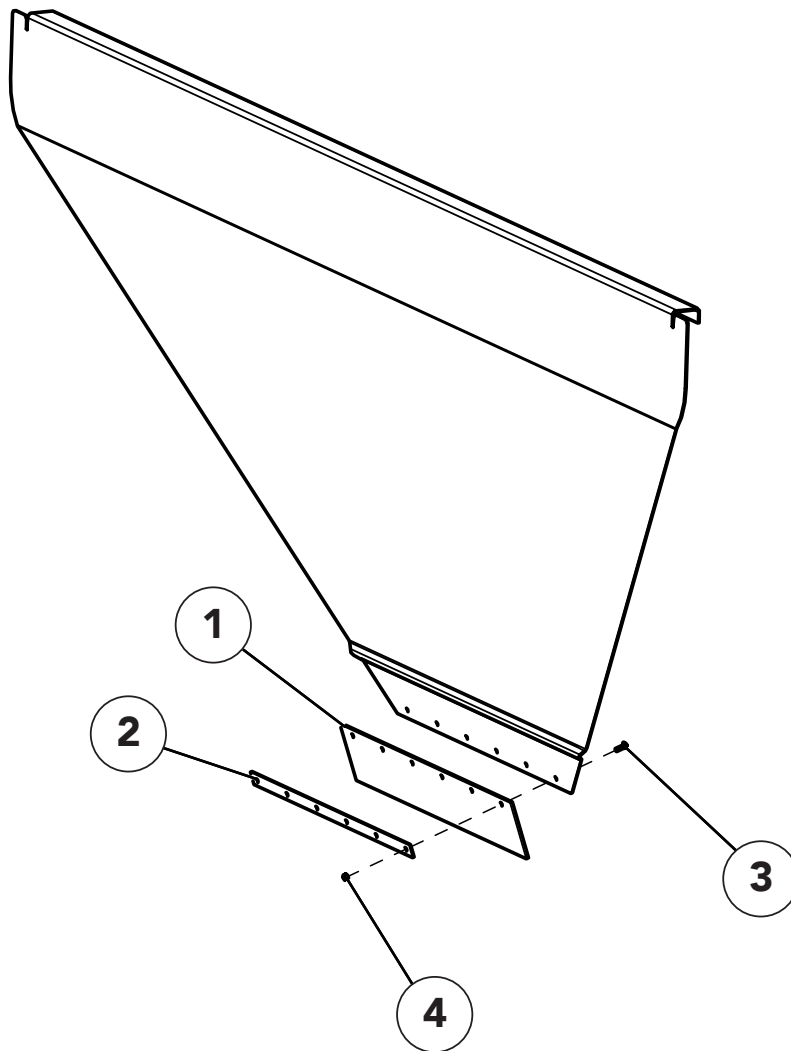


Conveyor**Conveyor Chain Oiler Tank**

<u>ITEM</u>	<u>PART NO.</u>	<u>DESCRIPTION</u>	<u>QTY</u>
1	304398	Tank - Wldmt Oiler	1
2	304409	Mount - Pump	1
3	304390	Pump - Assy W/Connector	1
4	36393	Capscrew - .25-20nc X .75 SS	1
5	36418	Washer - Lock .25 SS	1
6	44454	Screw - Sockethead #10-24	4
7	171052	Washer - Flat #10 SS	8
8	56355	Nut - Lock #10-24nc SS	4
9	301337	Fitting - 90 Male 1/8 Npt	2
10	306437	Tube - .25od X .18id Clear	2.031'
11	309902	Elbow - Hdpp .375npt X .25	3
12	301338	Tube - .25od X .062 Blk Nylon	1.25'

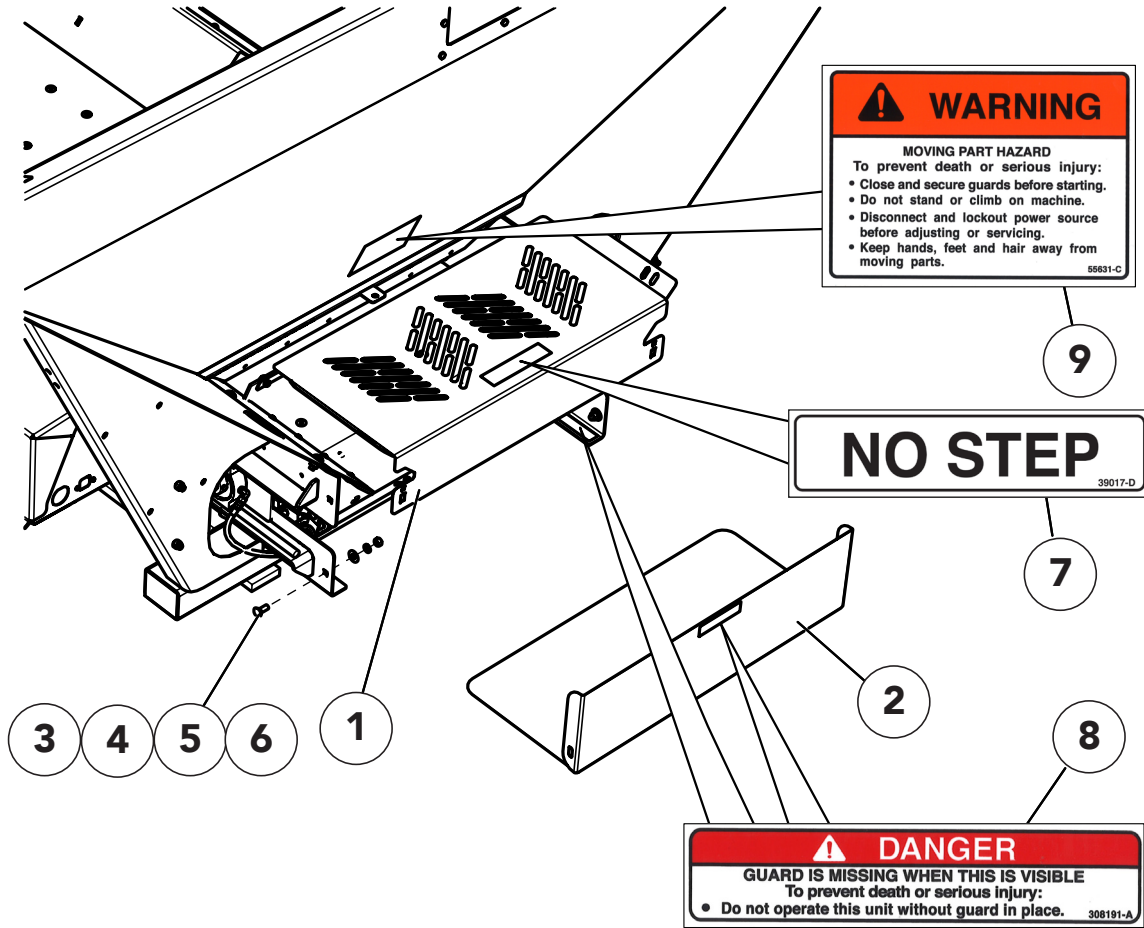
Conveyor

Wiper - Front



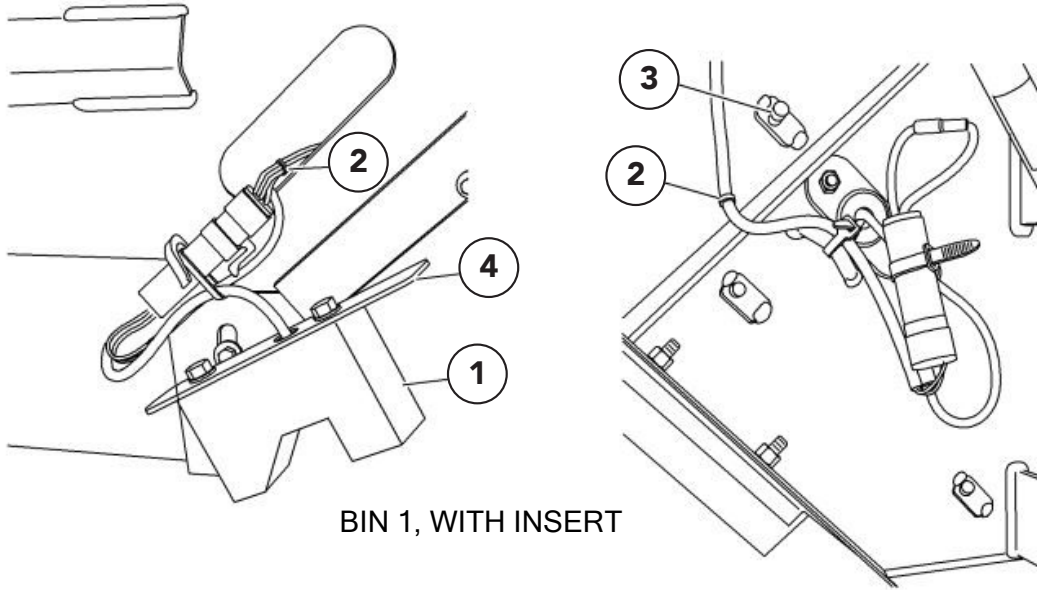
ITEM	PART NO.	DESCRIPTION	QTY
1	14743	Wiper – Belt	1
2	71656	Retainer – Belt 304	1
3	32446	Screw – TR HD 1/4 x 3/4	6
4	36412	Nut – Hex 1/4	6

Front Conveyor Guard

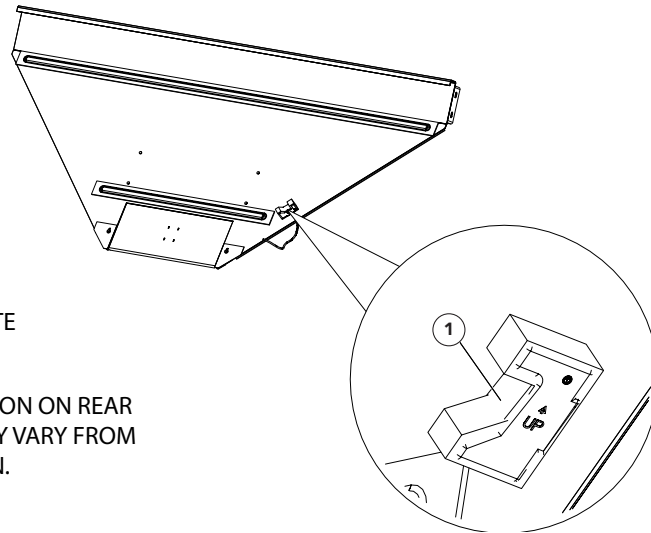


ITEM	PART NO.	DESCRIPTION	QTY
1	314316	Guard - Front Top, Includes Item 7	1
2	308860	Guard - Front Bottom, Includes Item 8	1
3	36408	Bolt - Carriage 3/8-16NC x 1 SS	2
4	36425	Washer - Flat 3/8 SS	2
5	36420	Washer - Lock 3/8 SS	2
6	36414	Nut - Hex 3/8-16NC SS	2
7	39017	Decal - No Step	1
8	308191	Decal - Danger, Guard is Missing	2
9	55631	Decal - Danger, Moving Part Hazard	1

Bin Sensors



BIN 1, WITH INSERT



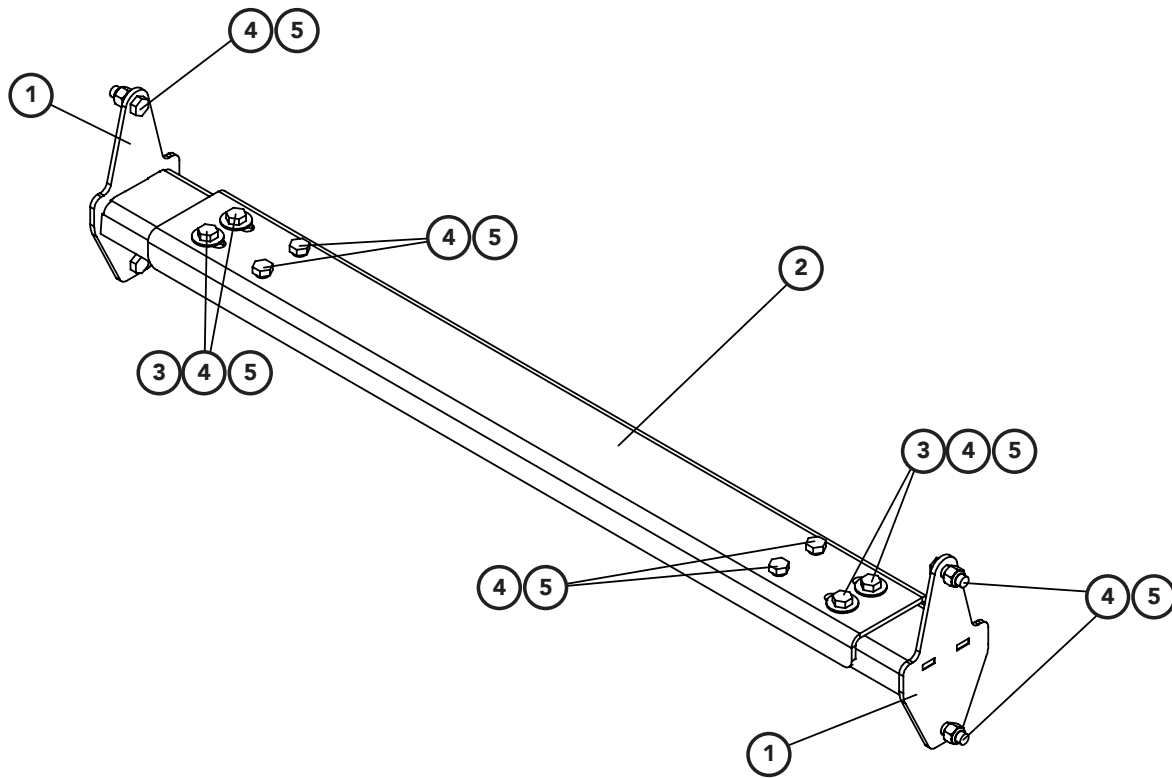
REAR ENDGATE

NOTE: LOCATION ON REAR ENDGATE MAY VARY FROM ILLUSTRATION.

ITEM	PART NO.	DESCRIPTION	QTY
1	98787-AB	Sensor - Bin Level w/ 18" Lead	AR
2	307130	Cable - Jumper 102"	AR
3	36393	Cap Screw - 1/4-20NC x 3/4 SS	AR
4	307124	Mount - Sensor 304	AR

* - Not Shown

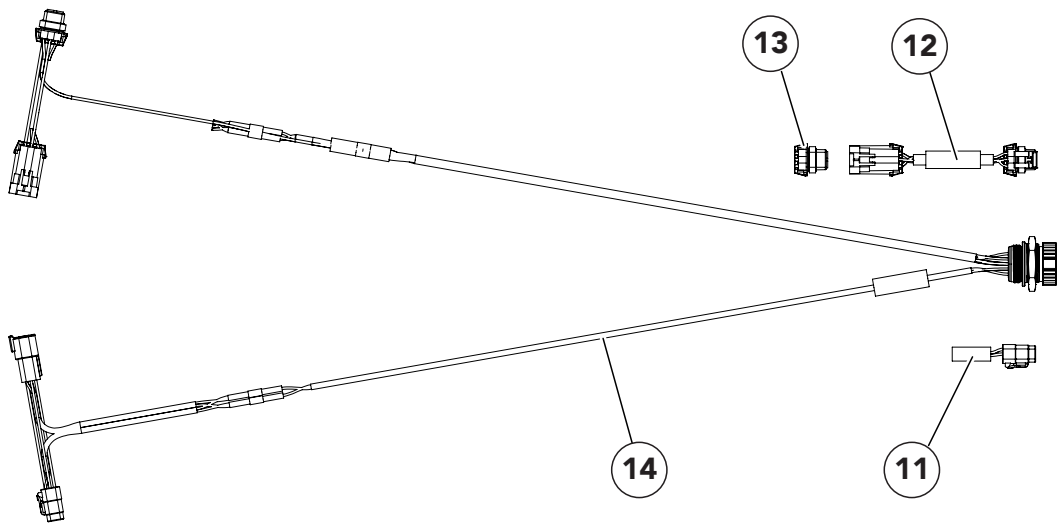
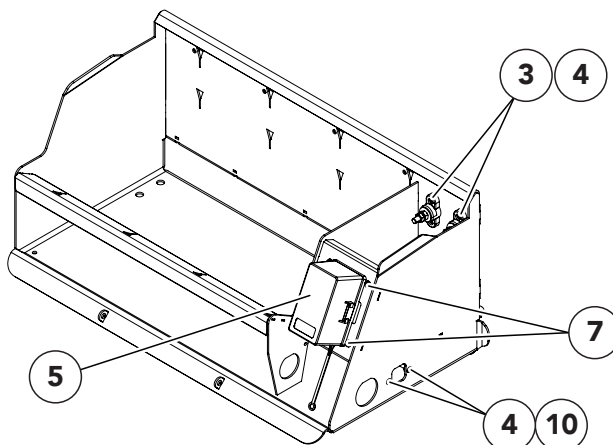
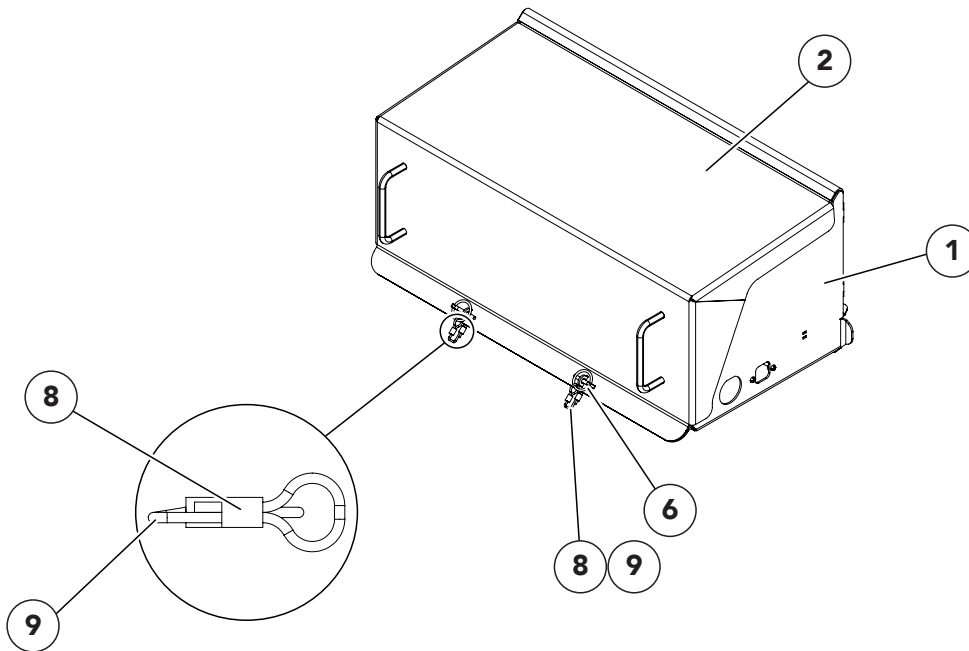
Enclosure Assembly Mount



ITEM	PART NO.	DESCRIPTION	QTY
1	311850	Mount - Wldmt	2
2	310717	Channel - Mount	1
3	36425	Washer - Flat 3/8 SS	4
4	36398	Cap Screw - 3/8-16NC x 1 SS	12
5	72054	Nut - Lock 3/8-16NC SS	12

Electronics

Enclosure Assembly

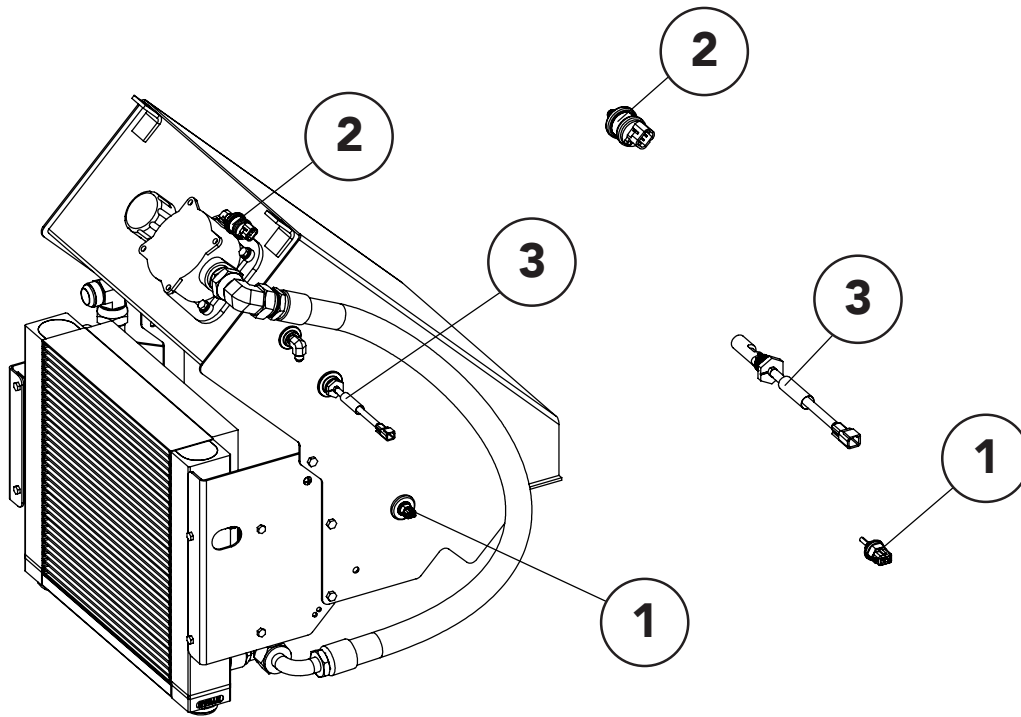


Enclosure Assembly Cont.

<u>ITEM</u>	<u>PART NO.</u>	<u>DESCRIPTION</u>	<u>QTY</u>
	311841	Enclosure - Assy 304, Includes Items 1 - 15	1
1	310722	Enclosure - Weldment Controller 304	1
2	310724	Cover - Weldment 304	1
3	310740	Post - Power Distribution	2
4	44483	Screw - Panhead #10-24 x 3/4 SS	6
5	310739	Harness - New Leader ECU Enclosure	1
6	310732	Pin - Lynch .188 x 1.25 SS	2
7	310733	Screw - Panhead #10-32 x 1/2 SS	4
8	308085	Ferrule - .185 x .734	4
9	311731	Cable - 12 Coated SS	2
10	56355	Nut - Lock #10-24 SS	2
11	311068	Plug - Terminating Local CAN	1
12	311070	Harness - ISOBUS Active Termination, Includes Item 14	1
13	311069	Circuit - Terminating Bias ISO CAN	1
14	312448	Harness - ISOBUS Diagnostic Tee	1

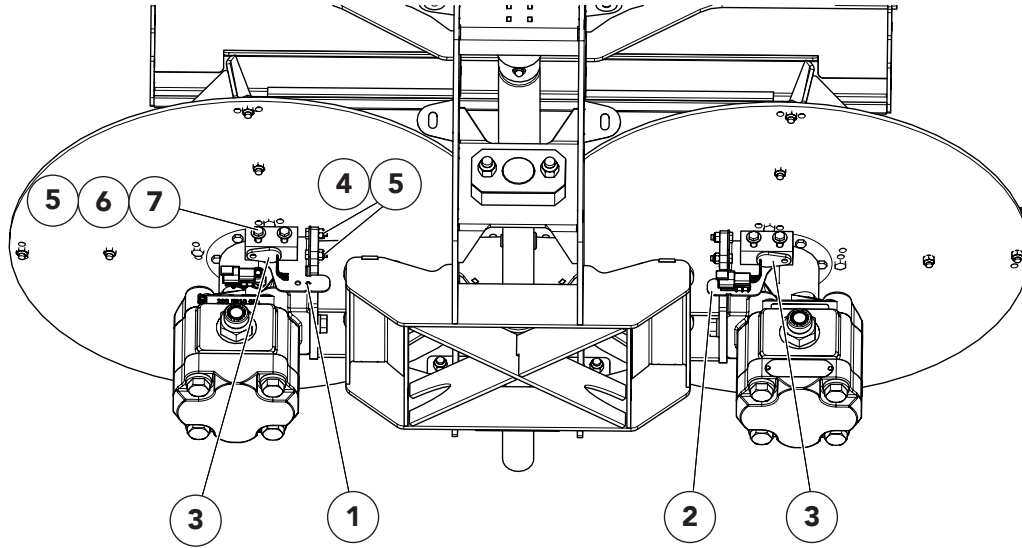
Electronics

Hydraulic Reservoir Sensors



ITEM	PART NO.	DESCRIPTION	QTY
1	311075	Sensor - Temp	1
2	311076	Switch - Pressure	1
3	316127	Sensor - Oil Level	1

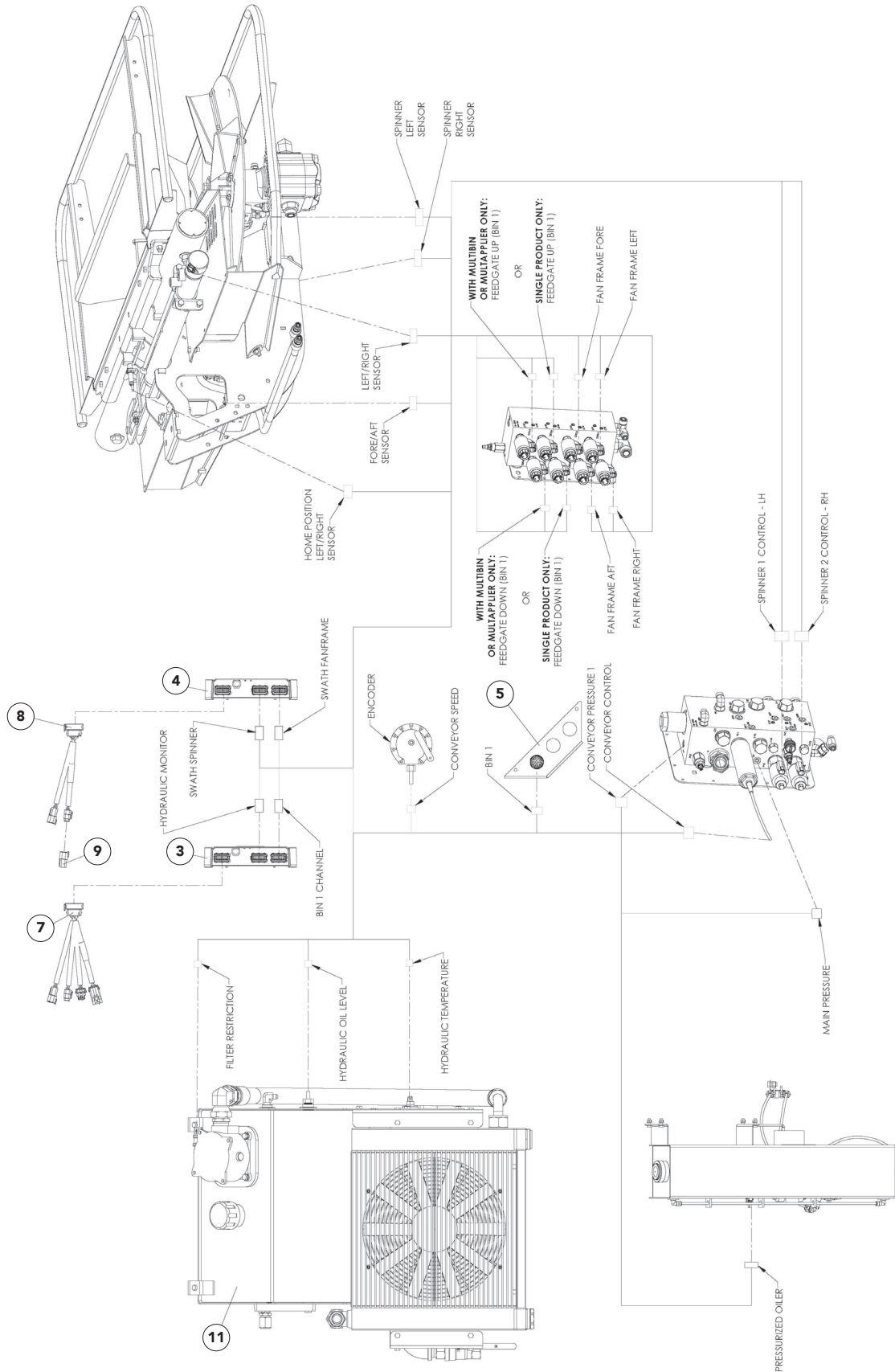
Spinner Speed Sensors



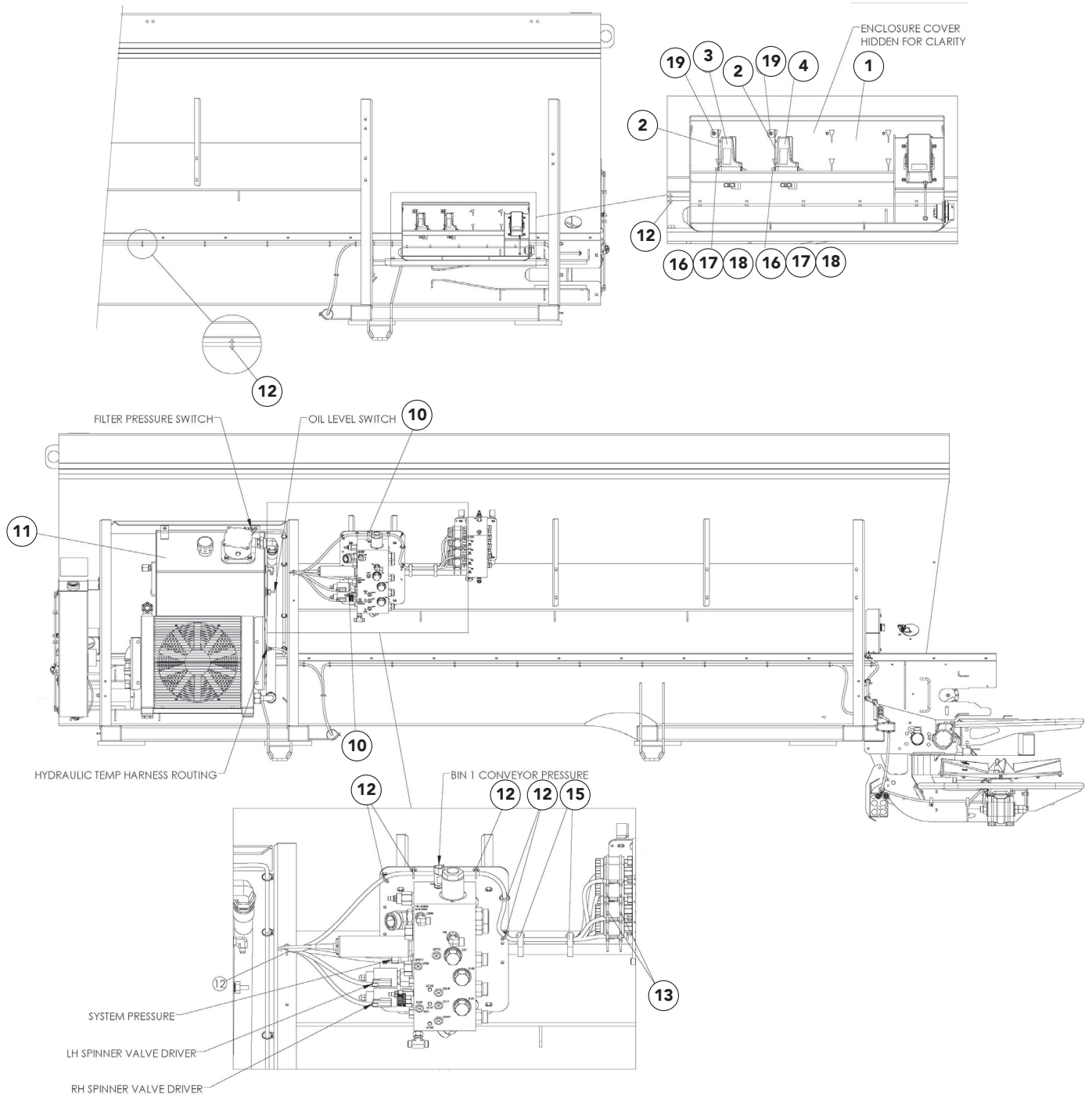
ITEM	PART NO.	DESCRIPTION	QTY
1	316584	Bracket - Spinner Speed Sensor RH 304	1
2	316585	Bracket - Spinner Speed Sensor LH 304	1
3	316586	Sensor - Assy w/ Block	2
	32446	Screw - Truss Head .25-20NC X.75 SS	2
4	36395	Cap Screw - 1/4-20NC x 1 SS	4
5	42034	Nut - Lock 1/4-20NC SS	8
6	41669	Cap Screw - 1/4-20NC x 1-3/4 SS	4
7	36423	Washer - Flat 1/4 SS	4

Electronics

Controller - Main Bin

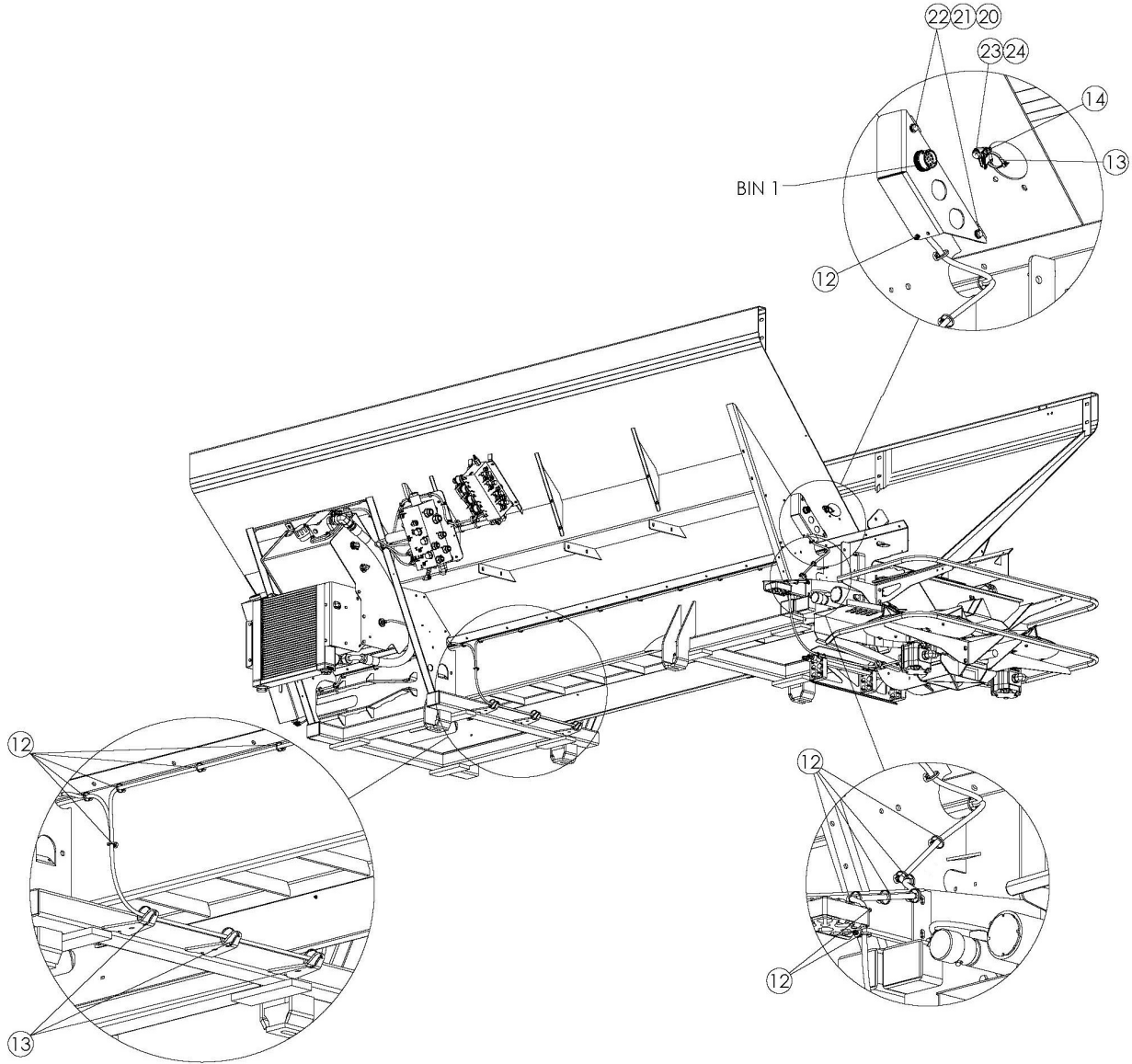


Controller - Main Bin Cont.



Electronics

Controller - Main Bin Cont.

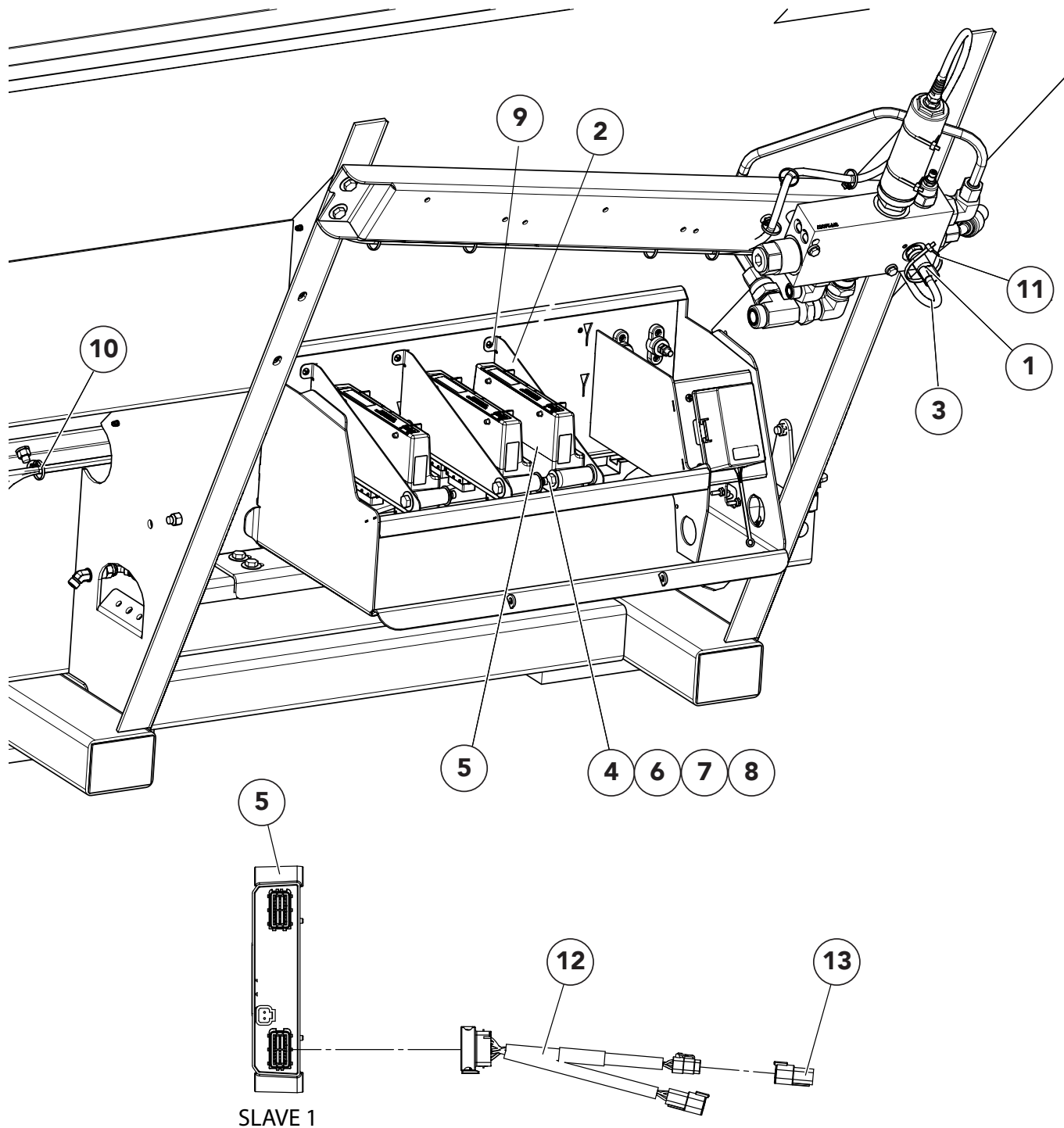


Controller - Main Bin Cont.

<u>ITEM</u>	<u>PART NO.</u>	<u>DESCRIPTION</u>	<u>QTY</u>
1	311841	Enclosure - Assy	1
2	310718	Bracket - Module 304	2
3	310734	Module - Master Control	1
4	313689	Module - Swath Control	1
5	316583	Bulkhead - Harness Brkt Formed	1
6	316137	Harness - G5 Master Control	1
7	310754	Harness - Isobus Breakout	1
8	311060	Harness - Local Can Breakout	1
9	311067	Receptacle - Terminating Local	1
10	311074	Transducer - Pressure	2
11	311845	Sensor - Group Hyd Tank	1
12	311806	Tie - Wire Fir Tree	69
13	99674	Strap - Zip Tie 8 Black	23
14	312964	Clip - Harness Mounting	1
15	310648	Tie - Dual Clamp	6
16	36425	Washer - Flat .375 SS	8
17	36296	Capscrew - .3846 X 2.75 SS	4
18	307395	Nut - Lock Thin .375-16nc SS	4
19	44483	Screw - Round Head #10-24nc X	2
20	36423	Washer - Flat .25 SS	4
21	36418	Washer - Lock .25 SS	4
22	36393	Capscrew - .25-20nc X .75 SS	4
23	34580	Capscrew - .313-18nc X 1 SS	1
24	42221	Nut - Lock .313-18nc SS	1

Electronics

Controller - MultiApplier



SLAVE 1

Controller - Multiplier Cont.

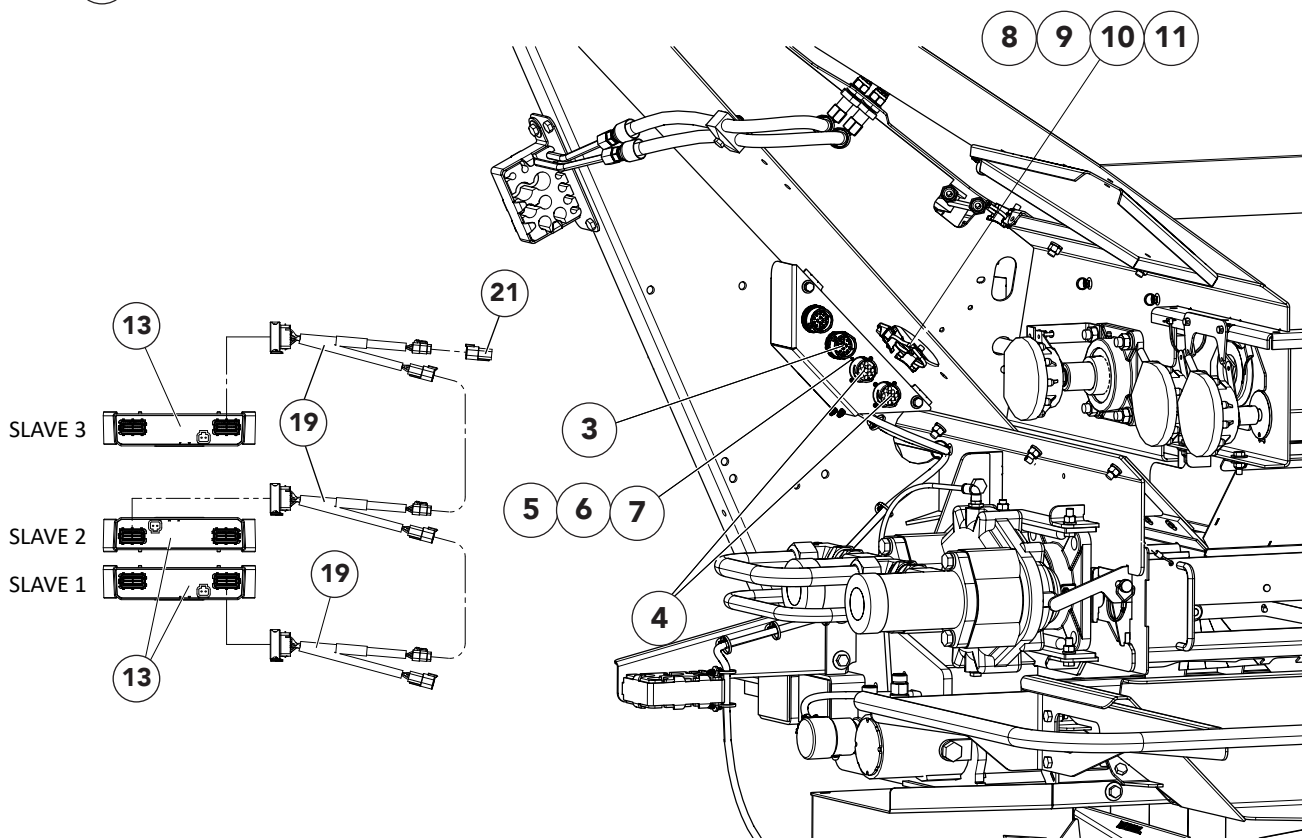
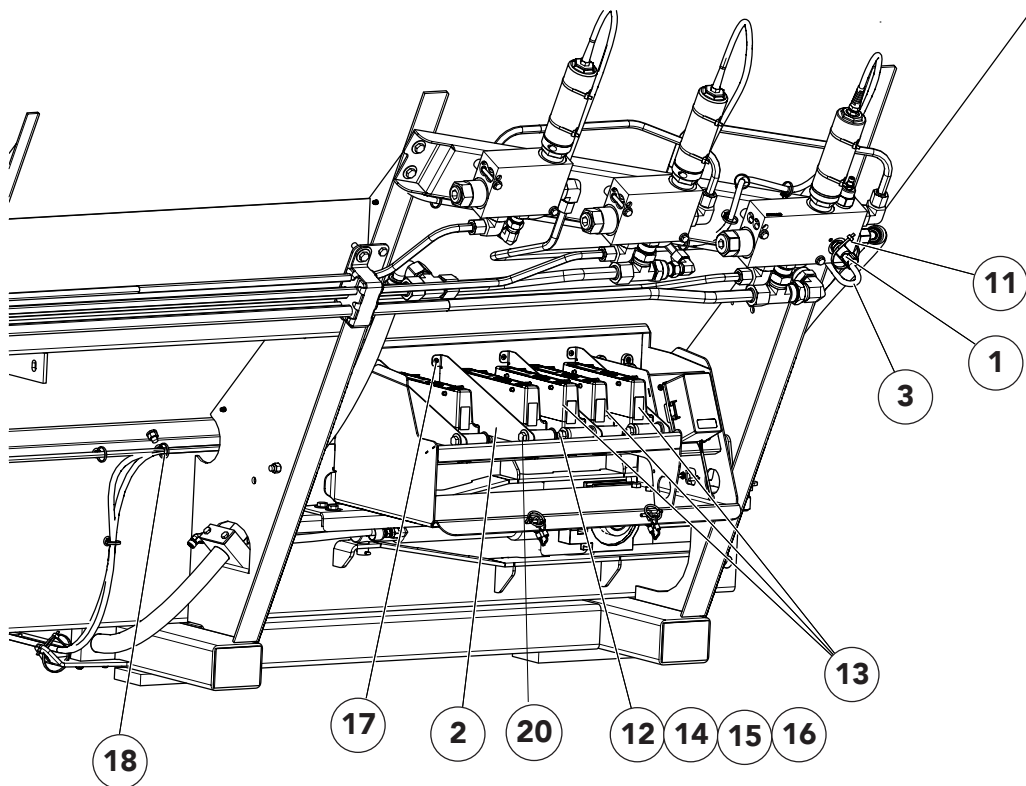
<u>ITEM</u>	<u>PART NO.</u>	<u>DESCRIPTION</u>	<u>QTY</u>
1	311074	Transducer - Pressure	1
2	310718	Bracket - Module 304	1
3	316138	Harness - Bin 2 Channel Control, 13' - 14'	1
4	313975	Spacer - 10ga 304	2
5	310735	Module - Slave Control	1
6	36425	Washer - Flat 3/8 SS	4
7	36296	Cap Screw - 3/8-16NC x 2-3/4 SS	2
8	307395	Nut - Lock Thin 3/8-16NC SS	2
9	44483	Screw - Panhead PHLP #10-24NC x 3/4 SS	1
10	311806	Tie - Wire Fir Tree	12
11	99674	Tie - Wire	3
12	311060	Harness - Local CAN Breakout Type I	1
13	311067	Receptacle - Terminating Local CAN	AR

AR - As Required

NOTE: See "Controller - Main Bin" on previous pages for Bin 1 controller components.

Electronics

Controller - MultiBin



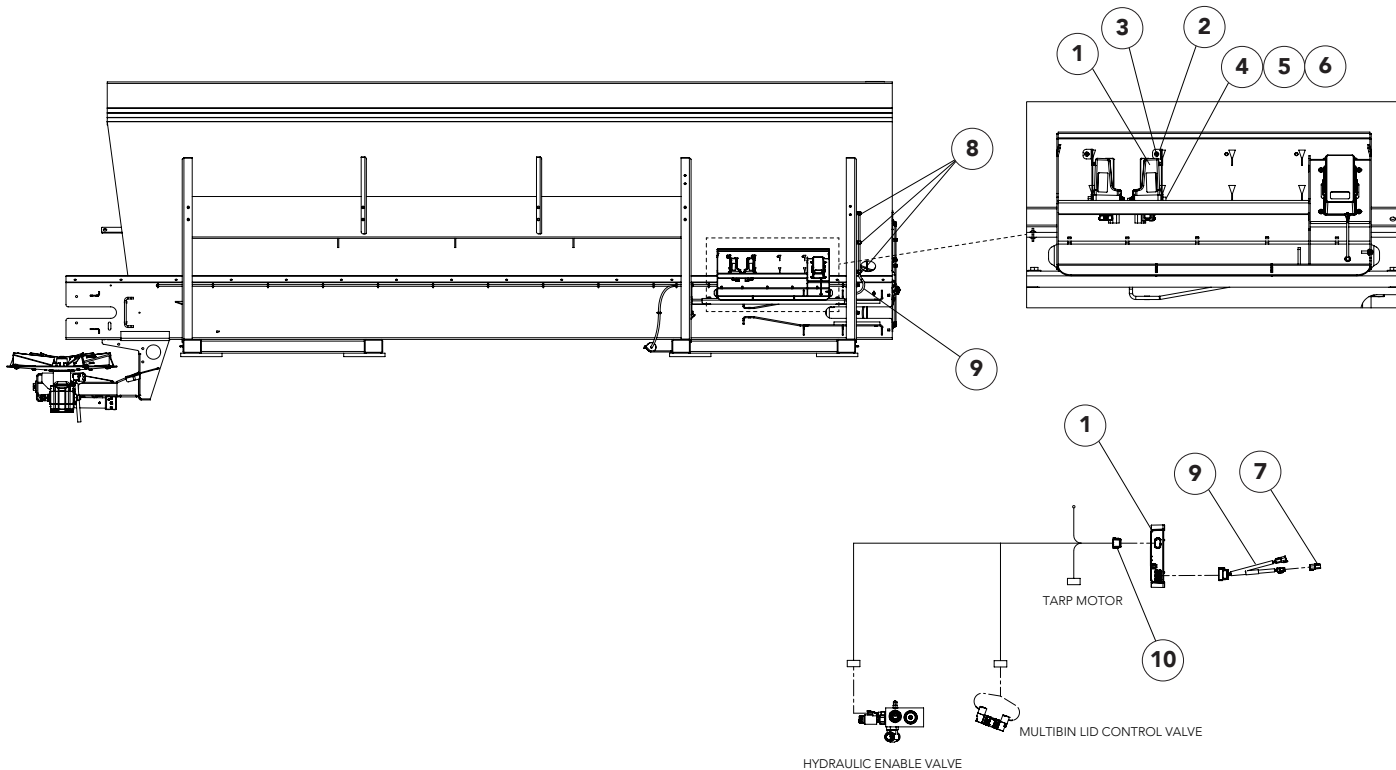
Controller - MultiBin Cont.

ITEM	PART NO.	DESCRIPTION	QTY	
			3 Bin	4 Bin
1	311074	Transducer - Pressure	1	1
2	310718	Bracket - Module 304	1	2
3	316138	Harness - Bin 2 Channel Control, - 14'	1	1
4	316139	Harness - Micro Bin Channel Control, ' - 14'	1	2
5	314004	Screw - Pan head PHLP #4-40NC x 1/2 SS	4	8
6	314003	Washer - Flat #4 SS	4	8
7	314002	Nut - Lock #4-40NC SS	4	8
8	312964	Clip - Harness Mounting	1	1
9	34580	Cap Screw - 5/16-18NC x 1 SS	1	1
10	42221	Nut - Lock 5/16-18NC SS	1	1
11	99674	Tie - Wire	6	8
12	313975	Spacer - 10ga 304	2	4
13	310735	Module - Slave Control	2	3
14	36425	Washer - Flat 3/8 SS	4	8
15	310741	Cap Screw - 3/8-16NC x 5 SS	2	2
16	307395	Nut - Lock Thin 3/8-16NC SS	2	4
17	44483	Screw - Pan head PHLP #10-24NC x 3/4 SS	1	2
18	311806	Tie - Wire Fir Tree	14	15
19	311060	Harness - Local CAN Breakout Type 1	2	3
20	36296	Cap Screw - 3/8-16NC x 2-3/4 SS	--	2
21	311067	Receptacle - Terminating Local CAN	AR	AR
22	*307181-AF	Plug - Assy Sealing Mp 3-Pin	1	--
23	*307181-AH	Plug - Assy Sealing Mp 3-Pin	1	--

AR - As Required * Not Shown

NOTE: See "Controller - Main Bin" on previous pages for Bin 1 controller components.

Electronics Body Module

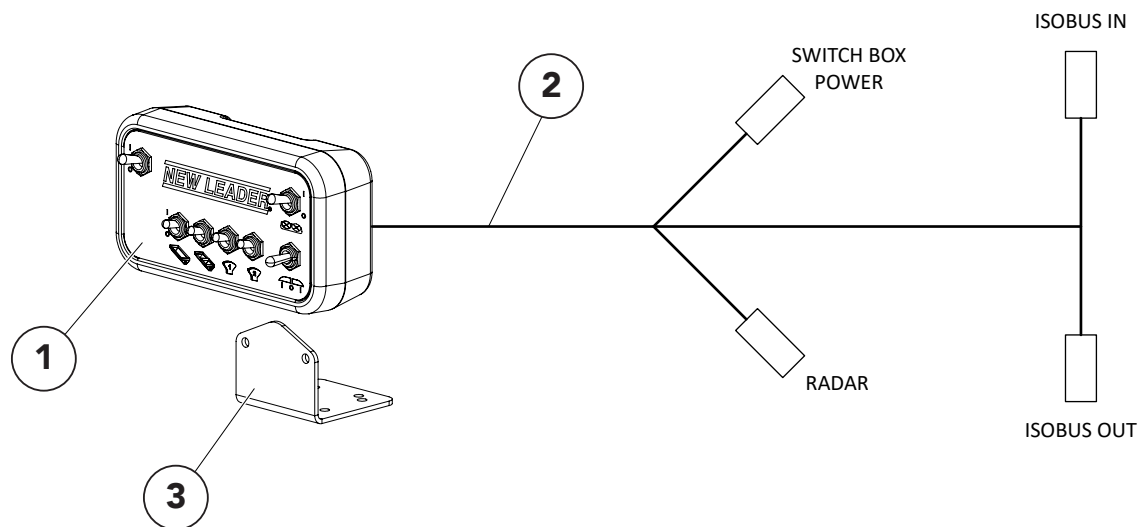


Body Module Cont.

<u>ITEM</u>	<u>PART NO.</u>	<u>DESCRIPTION</u>	<u>QTY</u>
1	310736	Module - Body Control	1
2	310718	Bracket - Module 304	1
3	44483	Screw - Pan Head Phlp #10	1
4	36296	Capscrew - 3/8-16NC x 2-3/4 SS	2
5	36425	Washer - Flat 3/8 SS	4
6	307395	Nut - Lock 3/8-16NC SS	2
7	311060	Harness - Local CAN Breakout Type I	1
8	311806	Tie - Wire Fir Tree	3
9	312701	Cable - Body Control	1
10	316136	Harness - Body Control W/Enable	1

Electronics

Switch Box & Harness

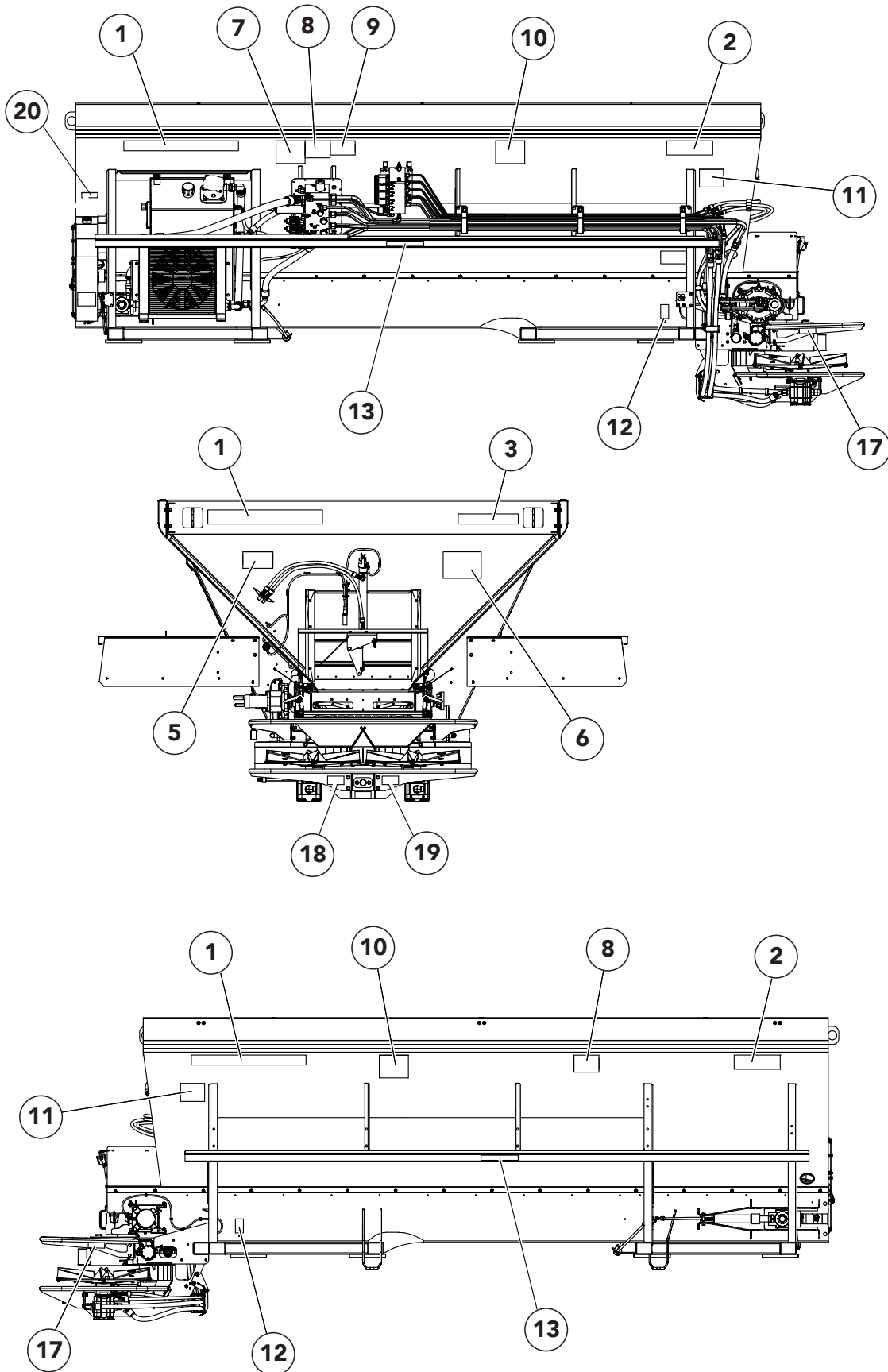


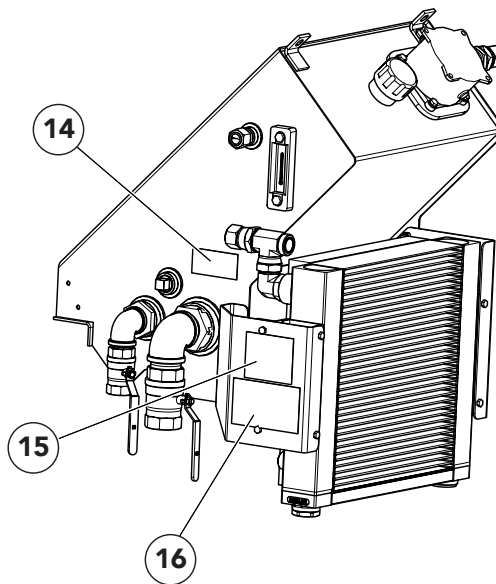
<u>ITEM</u>	<u>PART NO.</u>	<u>DESCRIPTION</u>	<u>QTY</u>
1	310742	Switch Box - NL G5	1
2	310743	Harness - ISO AUX Console	1
3	313884	Mount - Switch Box	1
4	*314488	Harness - Extension	1
5	*313581	Hardware - Kit Switch Box	1
6	**314222	Harness - Power WP	AR
	**314223	Harness - Power John Deere Strip	AR
	**314224	Harness - 9 Pin AMP ISO AUX Console	AR

* - Not Shown.

** - Harness required depends on tractor used with implement. Contact your New Leader parts dealer for details.

This page is intentionally left blank.

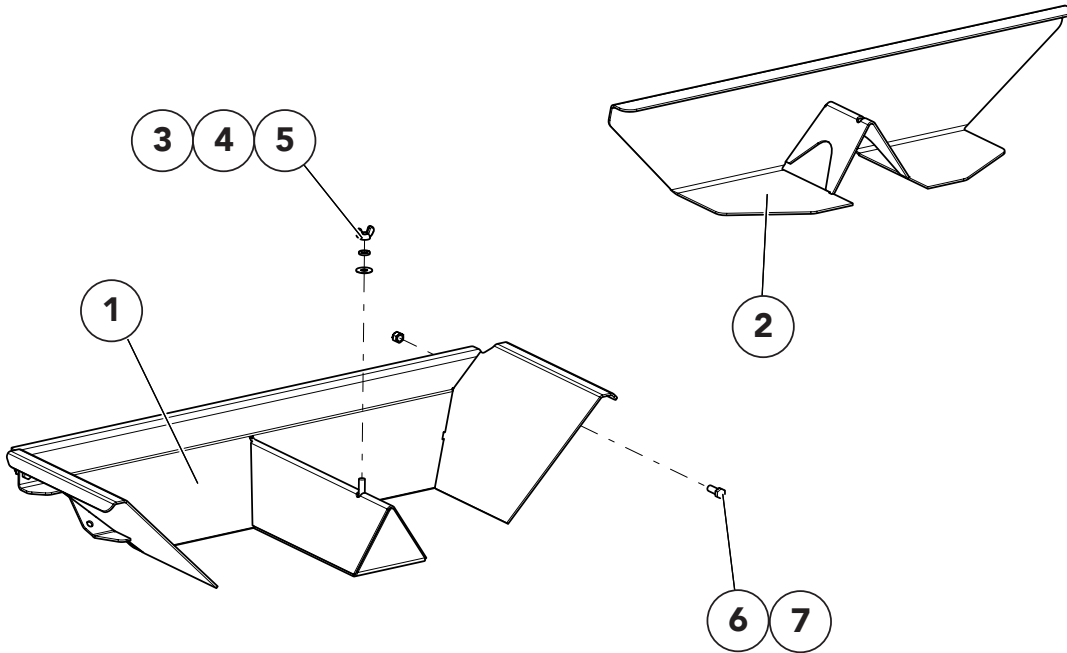




<u>ITEM</u>	<u>PART NO.</u>	<u>DESCRIPTION</u>	<u>QTY</u>
1	312561	Decal - New Leader Black	3
2	313520	Decal - G5 Black	2
3	316502	Decal - NL5000 Black	1
4	Not Used		
5	312276	Decal - Notice, Spread Pattern	1
6	368	Decal - Notice - Flying Material	1
7	150034	Decal - Caution, Proper Operation	1
8	364	Decal - Warning, Moving Part Hazard	2
9	321	Decal - Caution, Hazardous Materials	1
10	39138	Decal - Warning, High Pressure Fluid	2
11	55241	Decal - Danger, Pinch Point Hazard	2
12	311828	Decal - Chain Tension	2
13	39200	Decal - Warning, Falling Hazard	2
14	8664	Decal - Notice, Keep Valve Open	1
15	39378	Decal - Notice, Change Filter Element	1
16	304264	Decal - Notice, Hydraulic Oil	1
17	315639	Decal - WARNING: MOVING PART HAZARD	
18	315640	Decal - WARNING: FALLING HAZARD	
19	315641	Decal - DANGER: PINCH POINT HAZARD	
20	315865	Decal - WARNING: HAZARDOUS MATERIALS	

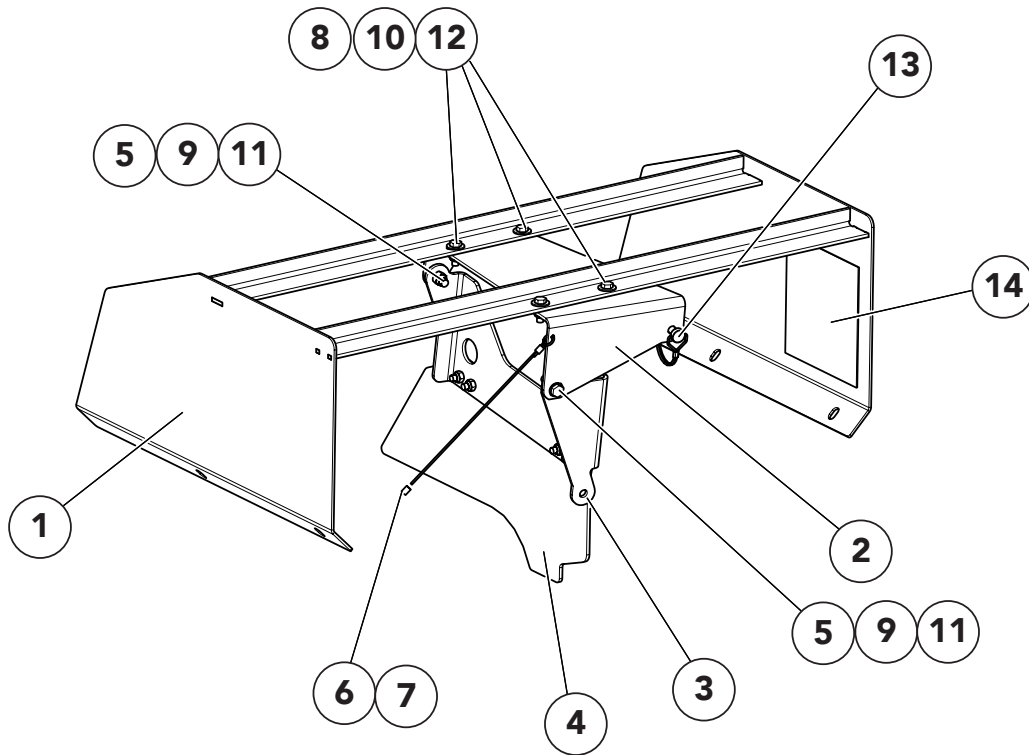
NOTE: See Safety Section of Operator's Manual for Details.

Material Divider



ITEM	PART NO.	DESCRIPTION	QTY
	313154	Divider – Material Assy 304	1
1	313155	Divider – Wldmt 304	1
2	313159	Deflector – Rear Wldmt 304	1
3	36425	Washer – Flat 3/8 SS	1
4	36420	Washer – Lock 3/8 SS	1
5	20673	Nut – Wing 3/8-16NC SS	1
6	36398	Cap Screw – 3/8-16NC x 1 SS	4
7	36425	Washer - Flat 3/8 SS	4

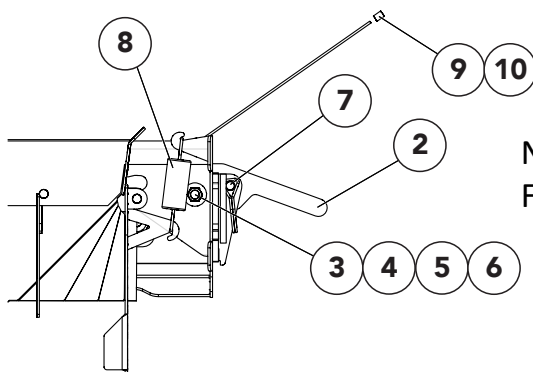
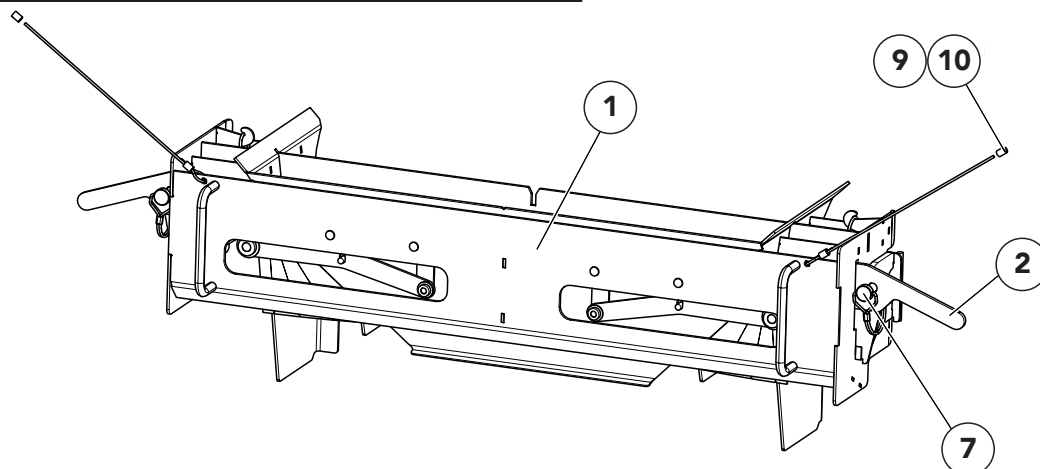
Hillside Divider



ITEM	PART NO.	DESCRIPTION	QTY
	313508	Divider - Hillside Assy 304	1
1	311721	Support - Wldmt	1
2	311725	Bracket - Upper	1
3	311728	Bracket - Lower	1
4	313509	Panel - Divider	1
5	311730	Bushing - Pivot	2
6	311731	Cable 12" Coated SS	1
7	308085	Ferrule	2
8	34580	Cap Screw - 5/16-18NC x 1 SS	8
9	36399	Cap Screw - 3/8-16NC x 1-1/4 SS	2
10	42221	Nut - Lock 5/16-18NC SS	8
11	72054	Nut - Lock 3/8-16NC SS	2
12	36424	Washer - Flat 5/16 SS	8
13	311732	Pin - Lock	1
14	55241	Decal - Danger, Pinch Point Hazard	1

Spinners

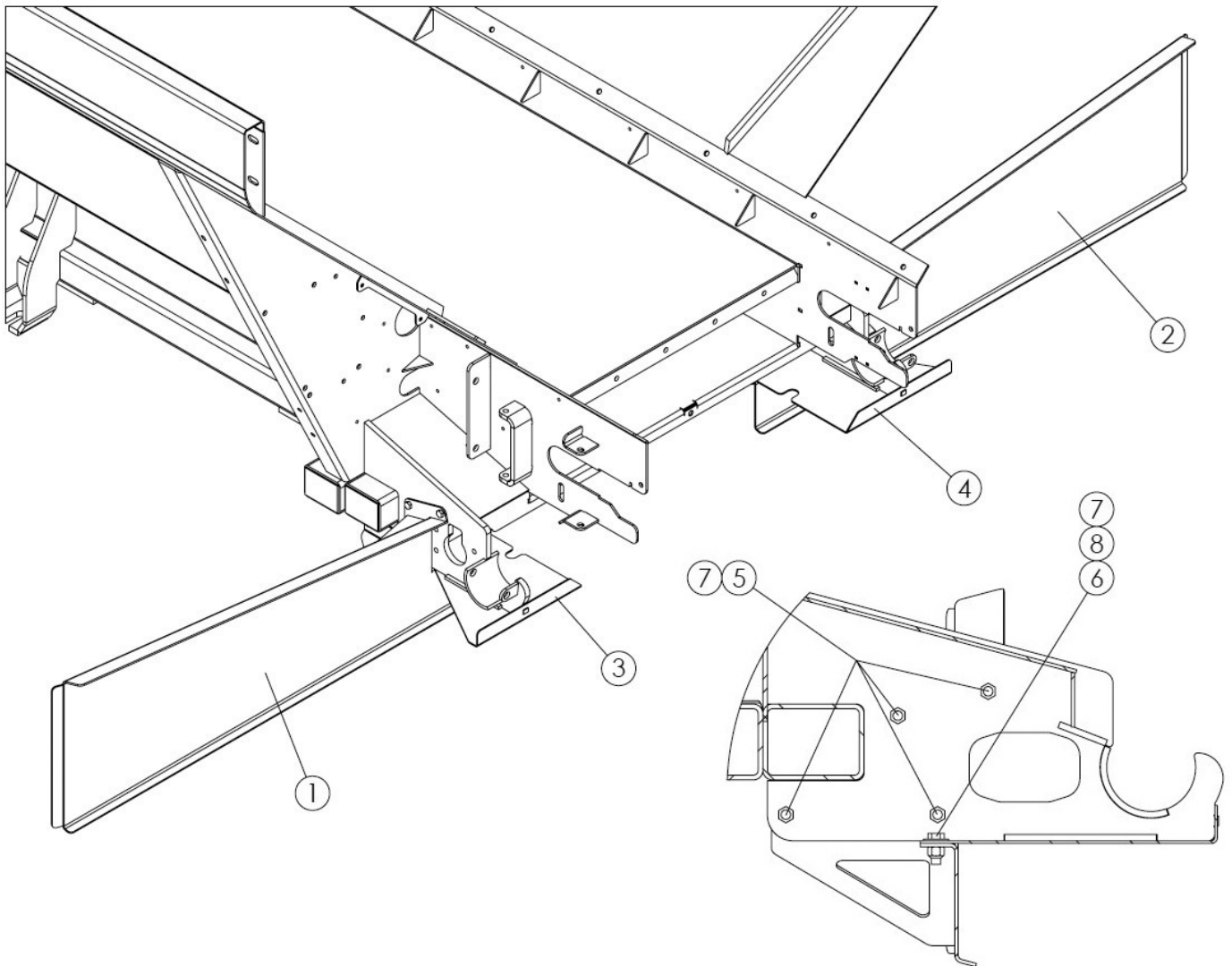
Vane Assembly



NOTE: COMPONENTS HIDDEN FOR CLARITY

ITEM	PART NO.	DESCRIPTION	QTY
	313267	Vane - Assy 304	1
1	316060	Vane - Wldmt 304	2
2	313315	Handle - 304	2
3	36425	Washer - Flat 3/8 SS	2
4	311730	Bushing - Pivot 304	2
5	36398	Cap Screw - 3/8-16NC x 1 SS	2
6	72054	Nut - Lock 3/8-16NC SS	2
7	311732	Pin - Lock	2
8	314311	Spring - SS	2
9	311731	Cable - 12" Coated SS	2
10	308085	Ferrule	4

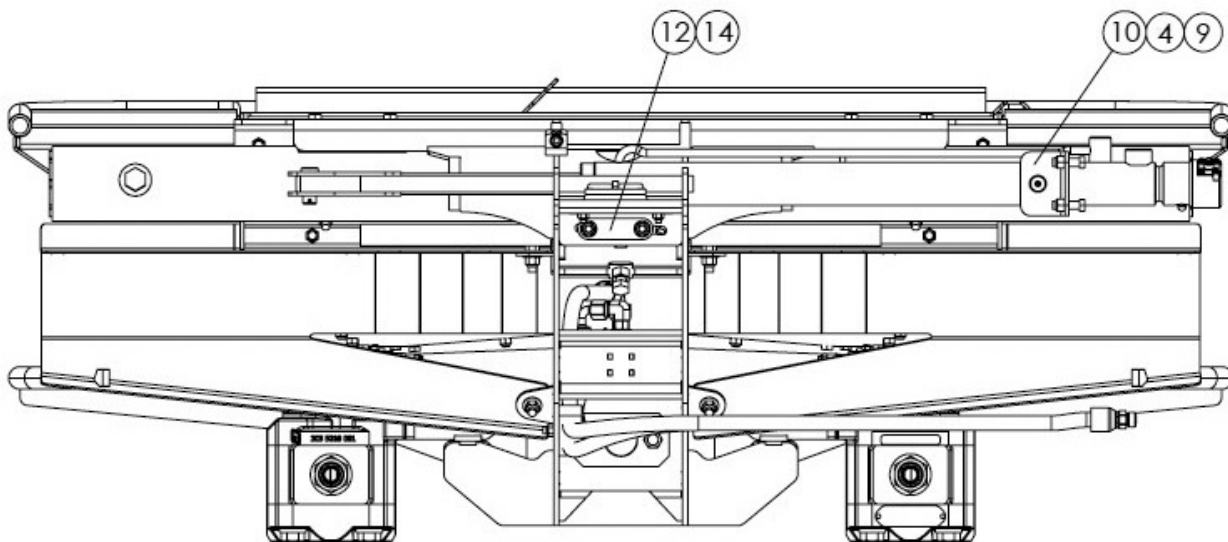
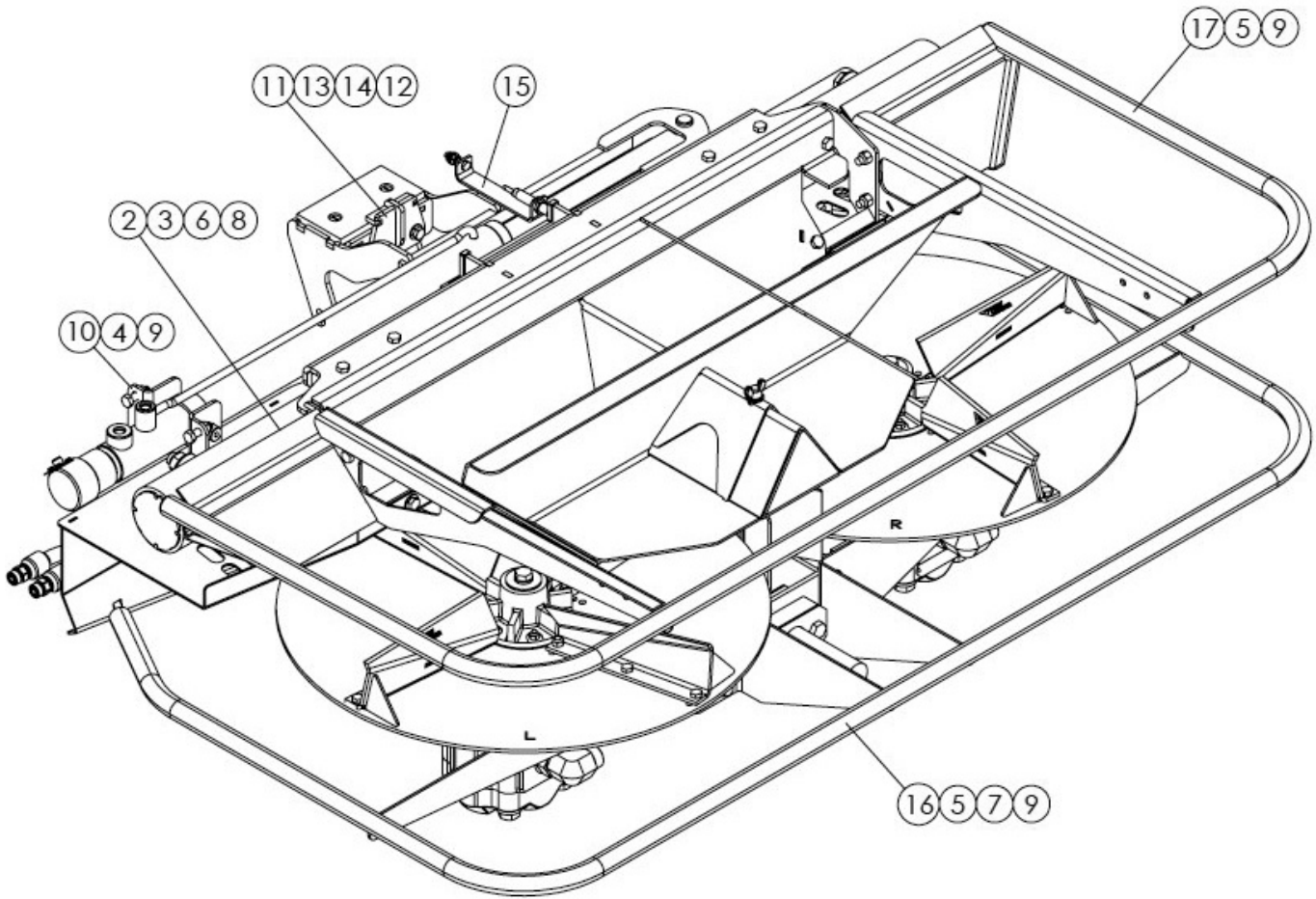
Spinner Deflectors



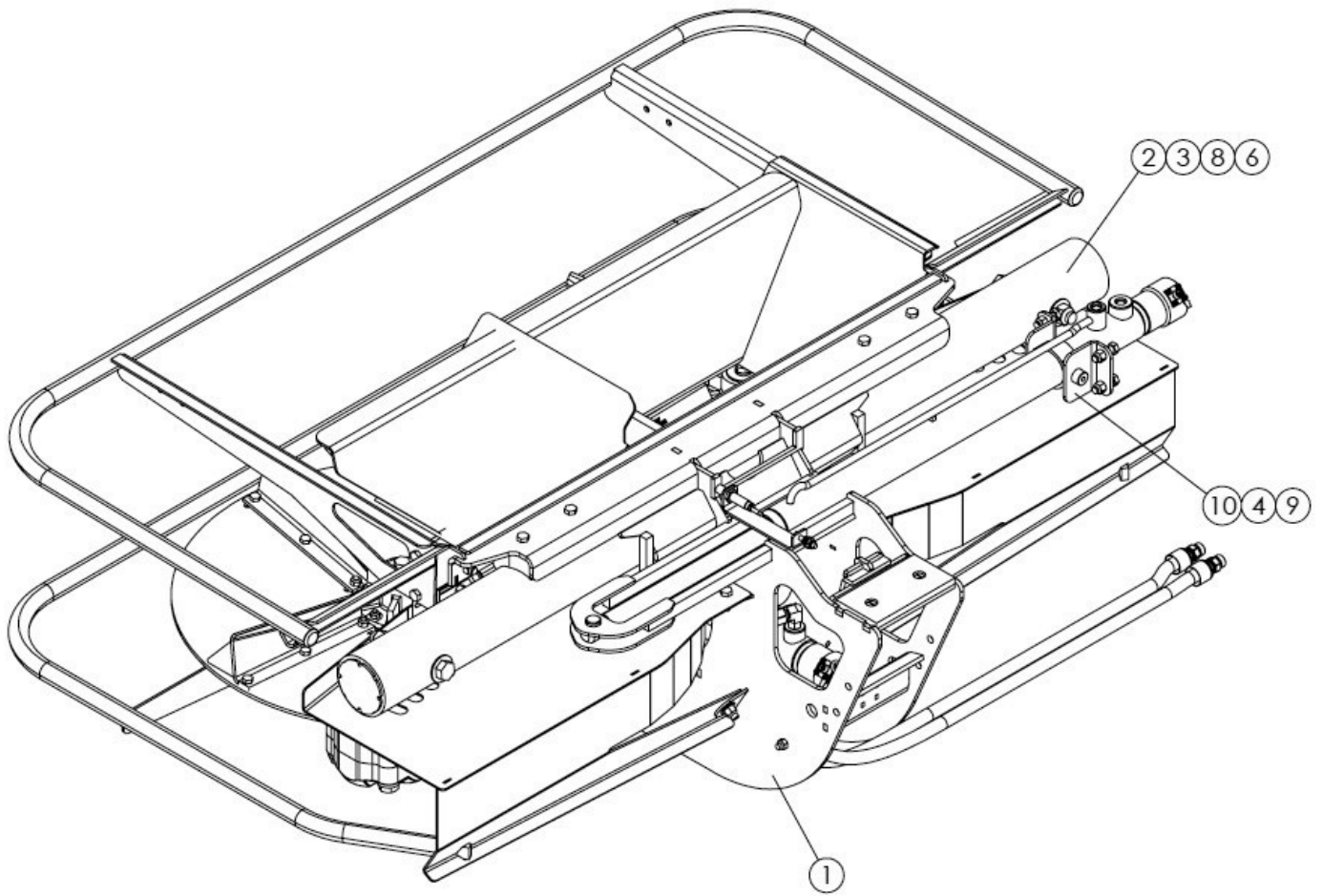
<u>ITEM</u>	<u>PART NO.</u>	<u>DESCRIPTION</u>	<u>QTY</u>
1	313223	Deflector - Wldmt LH 304	1
2	313224	Deflector - Wldmt RH 304	1
3	313229-AA	Deflector - LH 304 Charted	1
4	313229-AB	Deflector - RH 304 Charted	1
5	36399	Capscrew - .375-16nc X 1.25 SS	8
6	36398	Capscrew - .375-16nc X 1 SS	4
7	72054	Nut - Lock .375-16nc SS	12
8	36425	Washer - Flat .375 SS	4

Spinners

Spinner Assembly

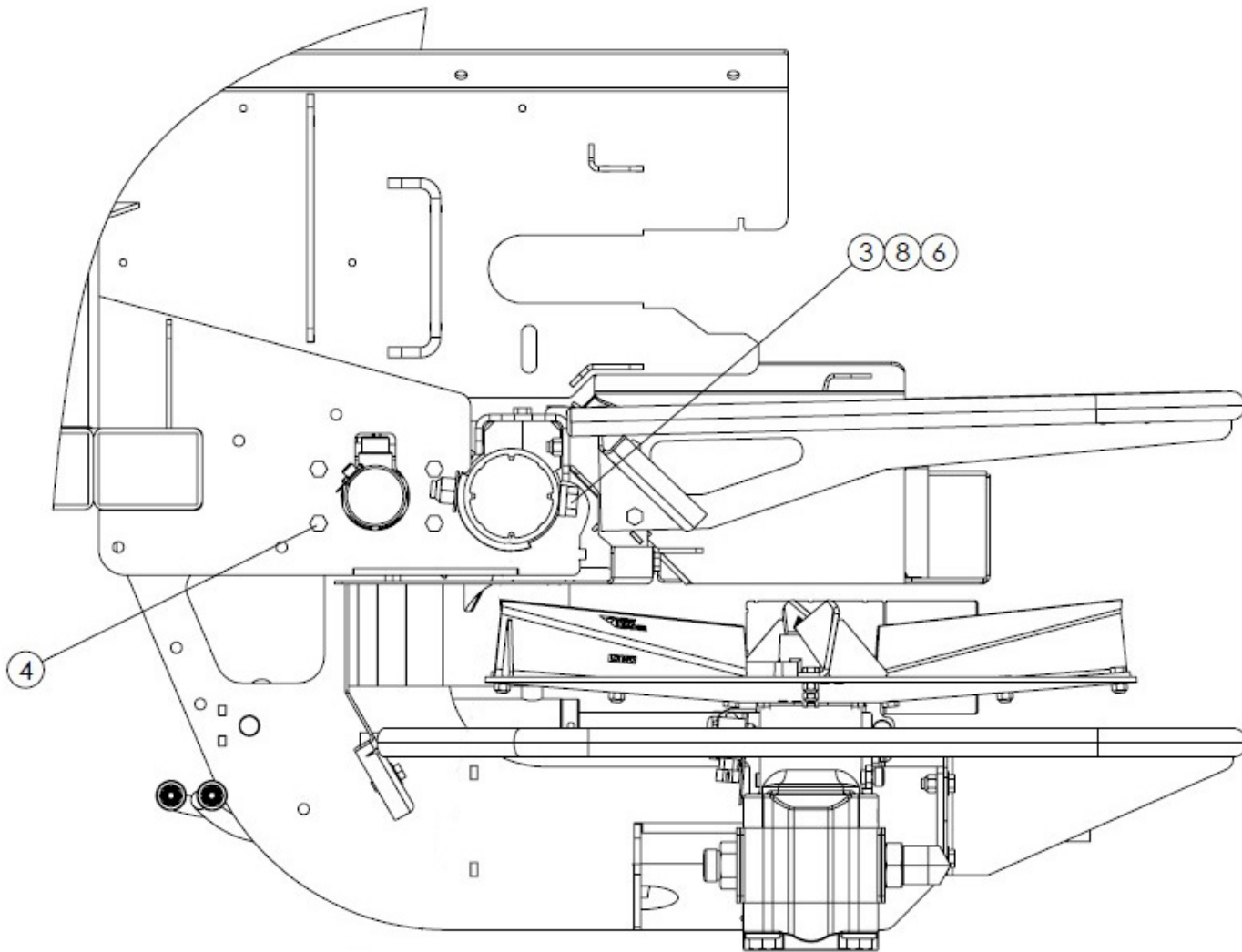


Spinner Assembly Cont.



Spinners

Spinner Assembly Cont.

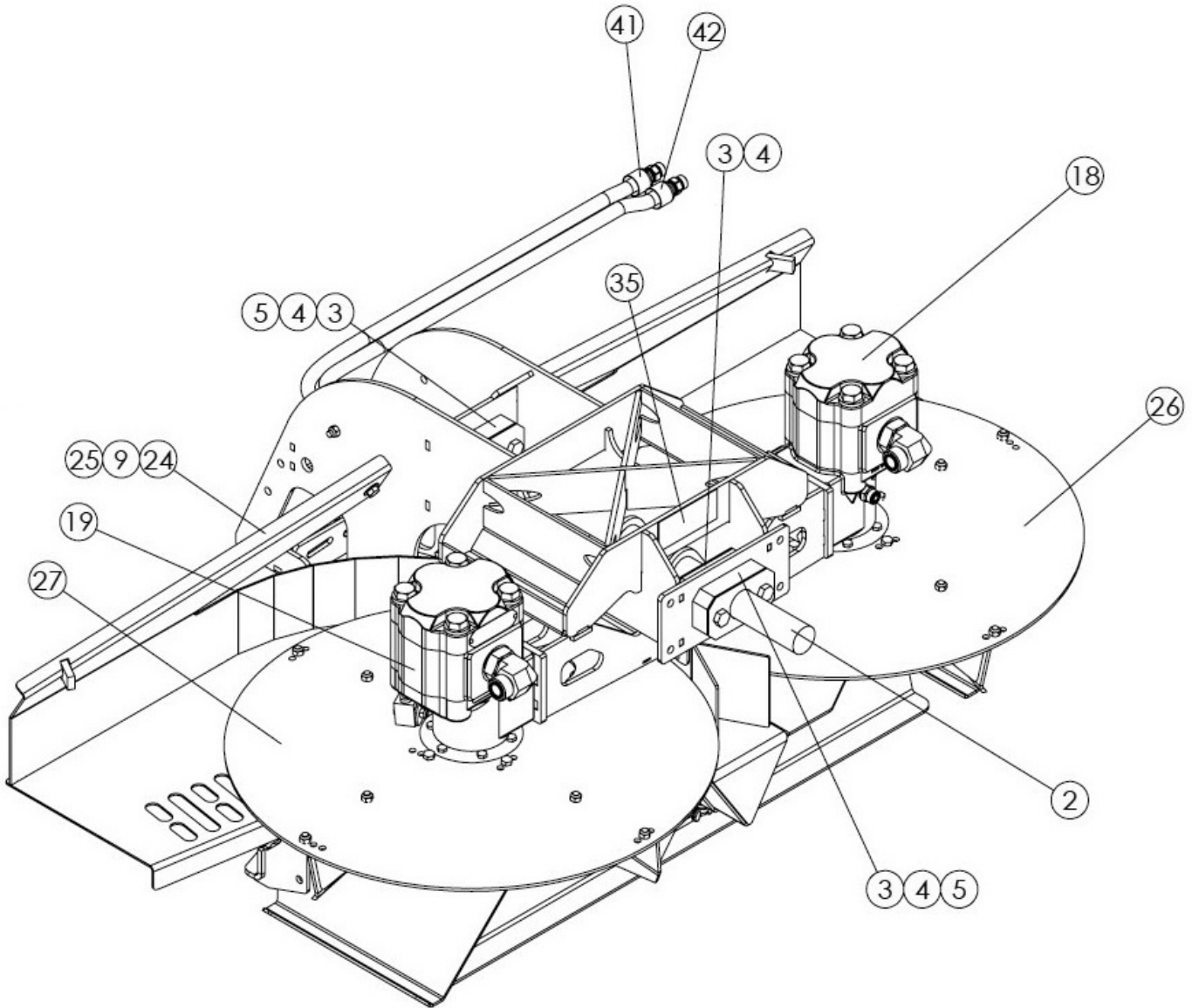


Spinner Assembly Cont.

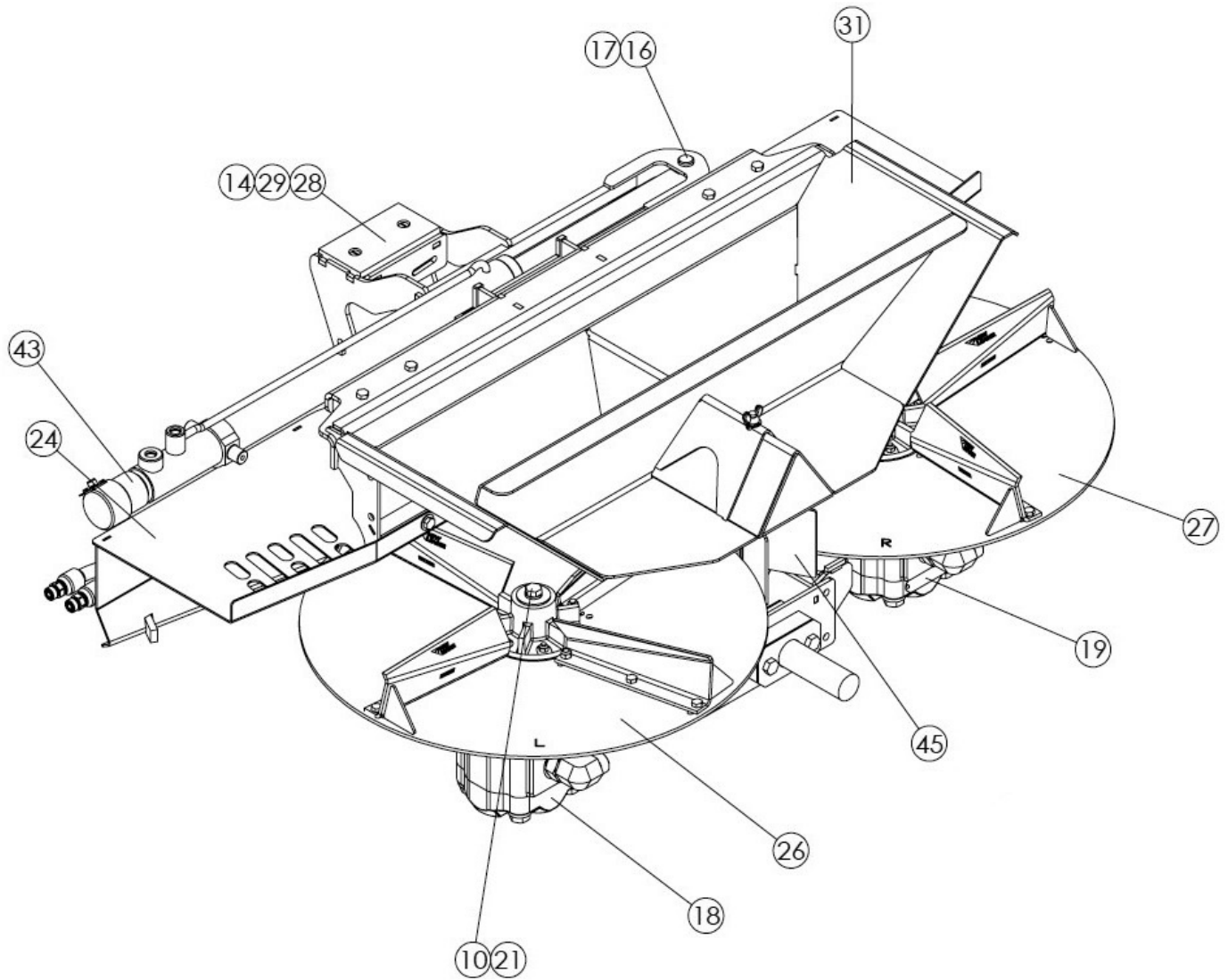
<u>ITEM</u>	<u>PART NO.</u>	<u>DESCRIPTION</u>	<u>QTY</u>
1	316590	Frame - Assy Spinner 304	1
2	313192	Tube - Wldmt Support 304	1
3	313180	Capscrew - .625-11nc X 5 SS	2
4	36399	Capscrew - .375-16nc X 1.25 SS	4
5	36398	Capscrew - .375-16nc X 1 SS	8
6	56857	Washer - Flat .625 SS	2
7	36425	Washer - Flat .375 SS	4
8	41762	Nut - Lock .625-11nc SS	2
9	72054	Nut - Lock .375-16nc SS	12
10	313193	Mount - Cylinder 304	2
11	313186	Retainer - Wldmt Front 304	1
12	313194	Plate - Backing 304	1
13	313195	Bolt - Flange .38-16nc X 1.25	2
14	313196	Nut - Flange .38-16nc SS	2
15	313214	Sensor - Assy 304	1
-	313215	Mount - Wldmt Sensor 304	1
-	308175	Sensor - 12mm W/Dtm04-3p 52	1
-	313217	Nut - Flange .25-20nc SS	2
16	315759	Guard - Wldmt Lower 304	1
17	319803	Guard - Wldmt Upper 304	1

Spinners

Spinner Frame Assembly

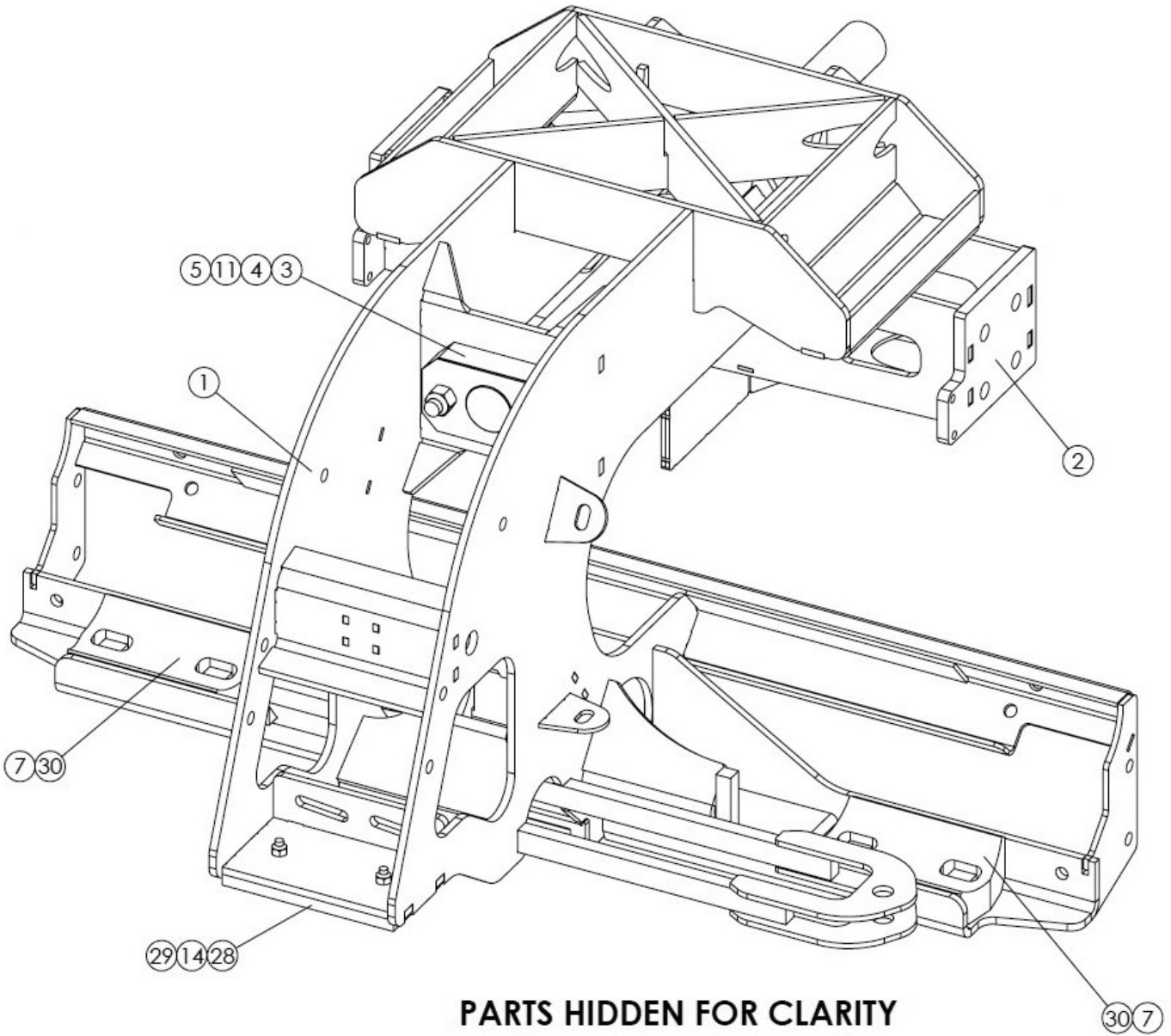


Spinner Frame Assembly



Spinners

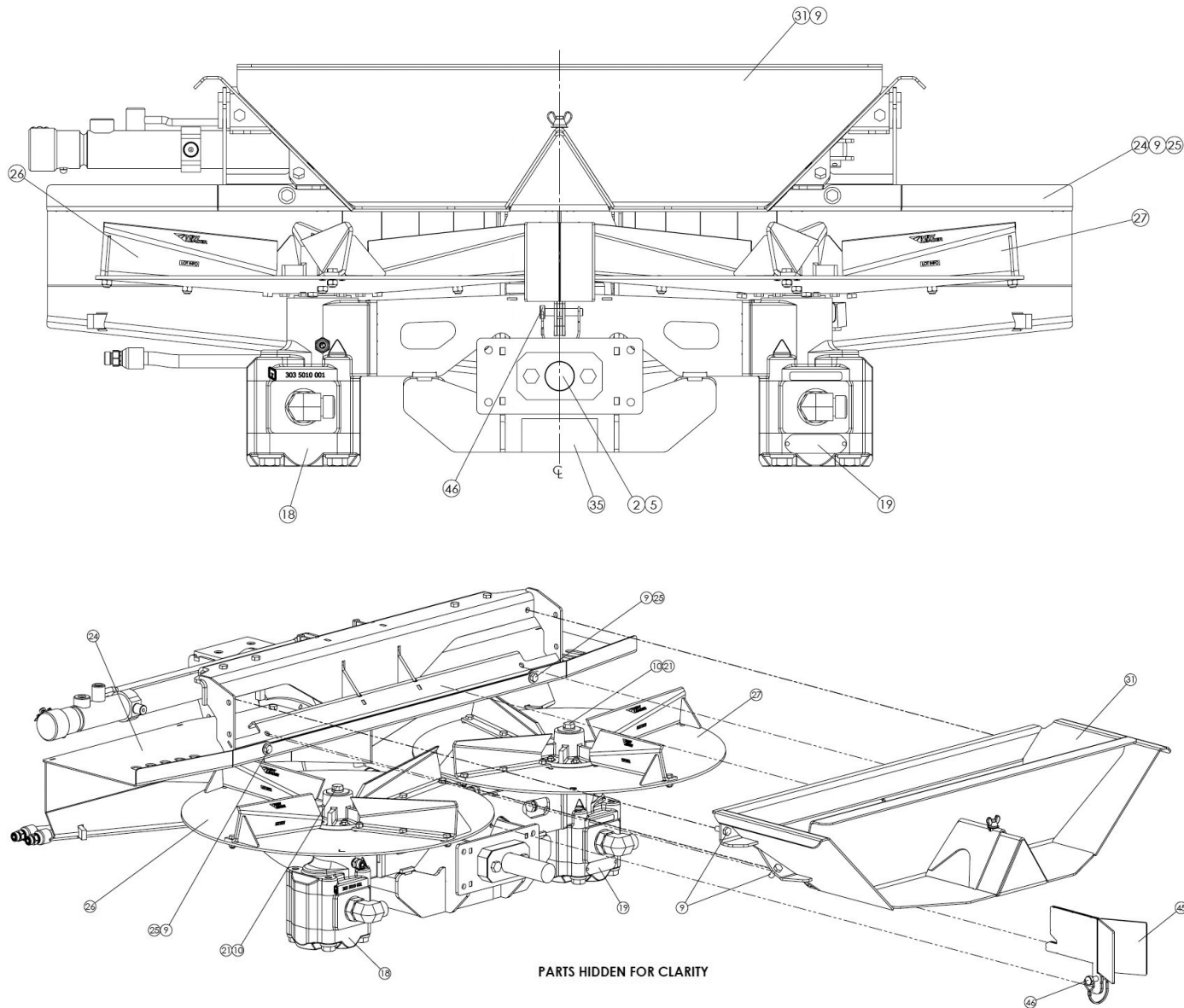
Spinner Frame Assembly



PARTS HIDDEN FOR CLARITY

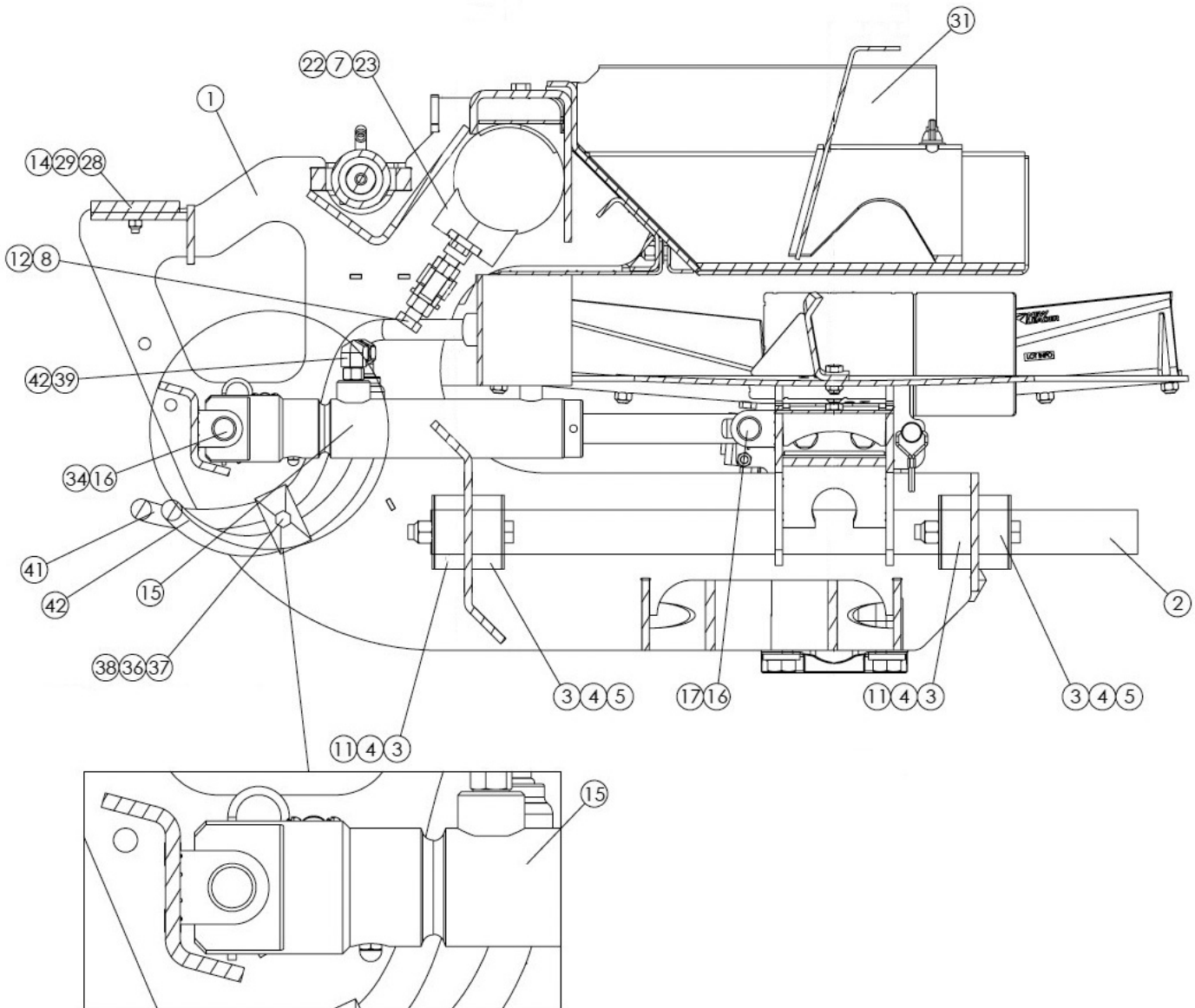
Spinners

Spinner Frame Assembly



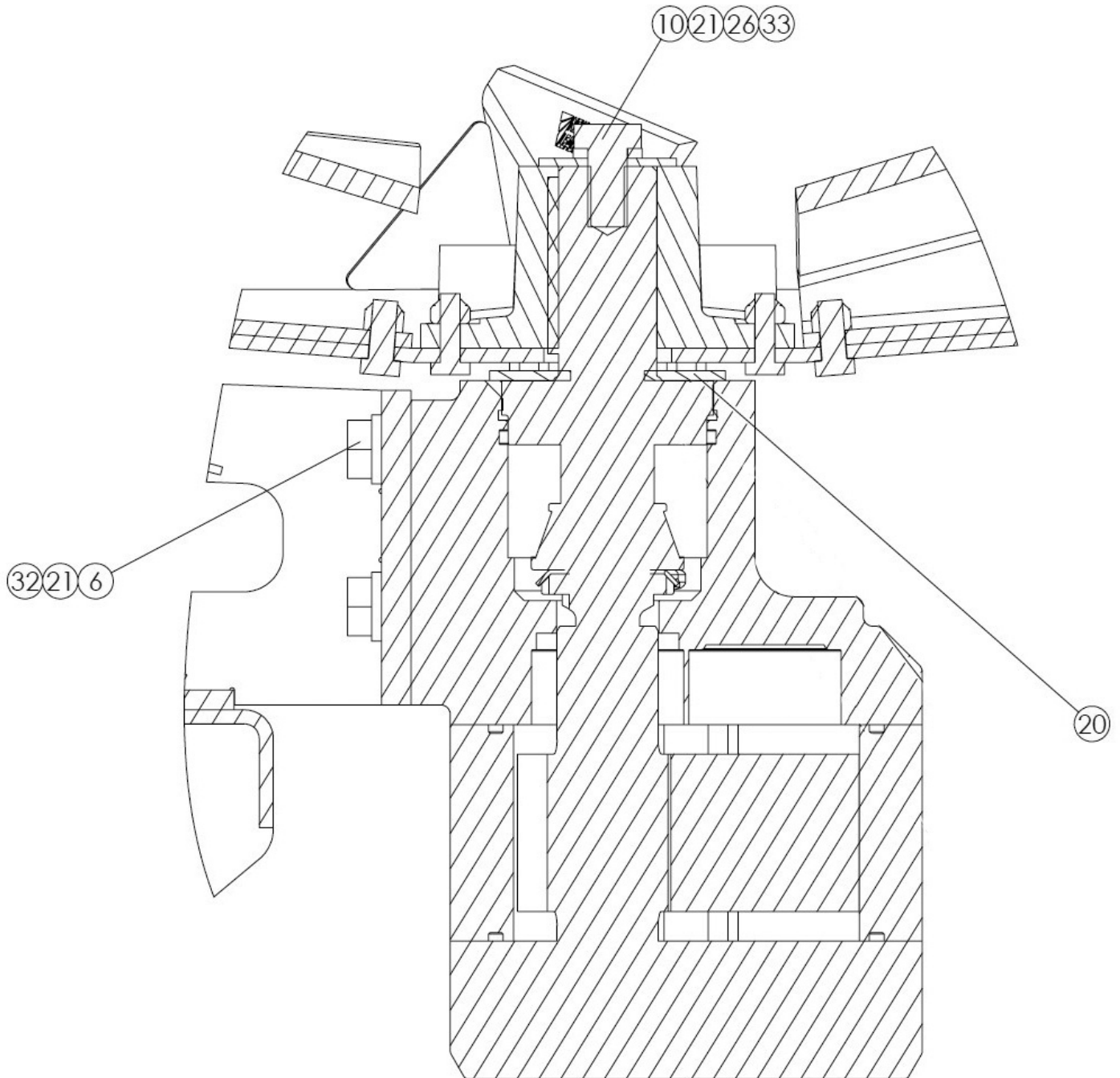
Spinners

Spinner Frame Assembly



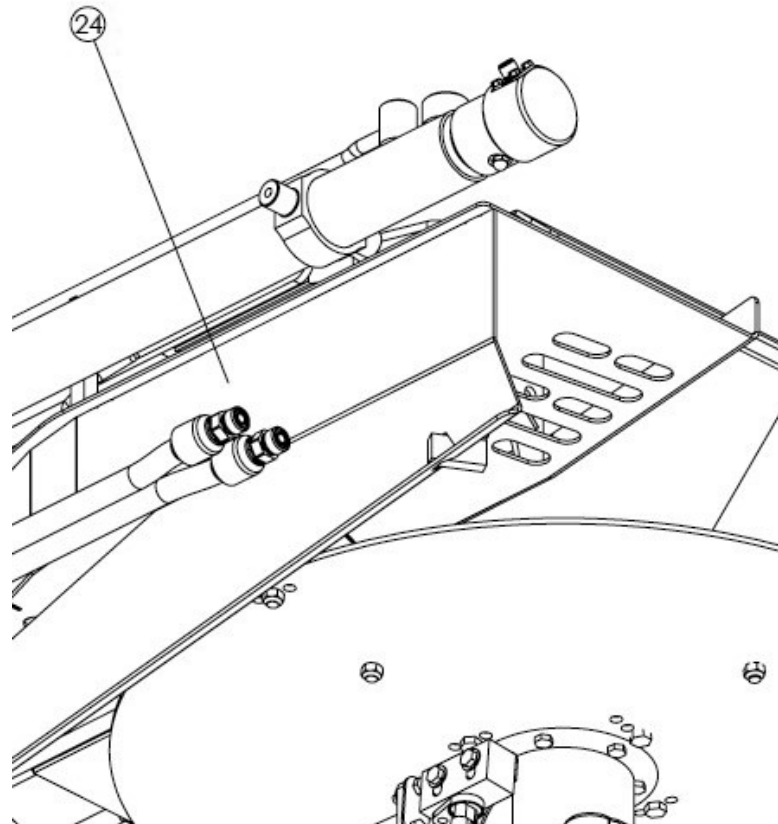
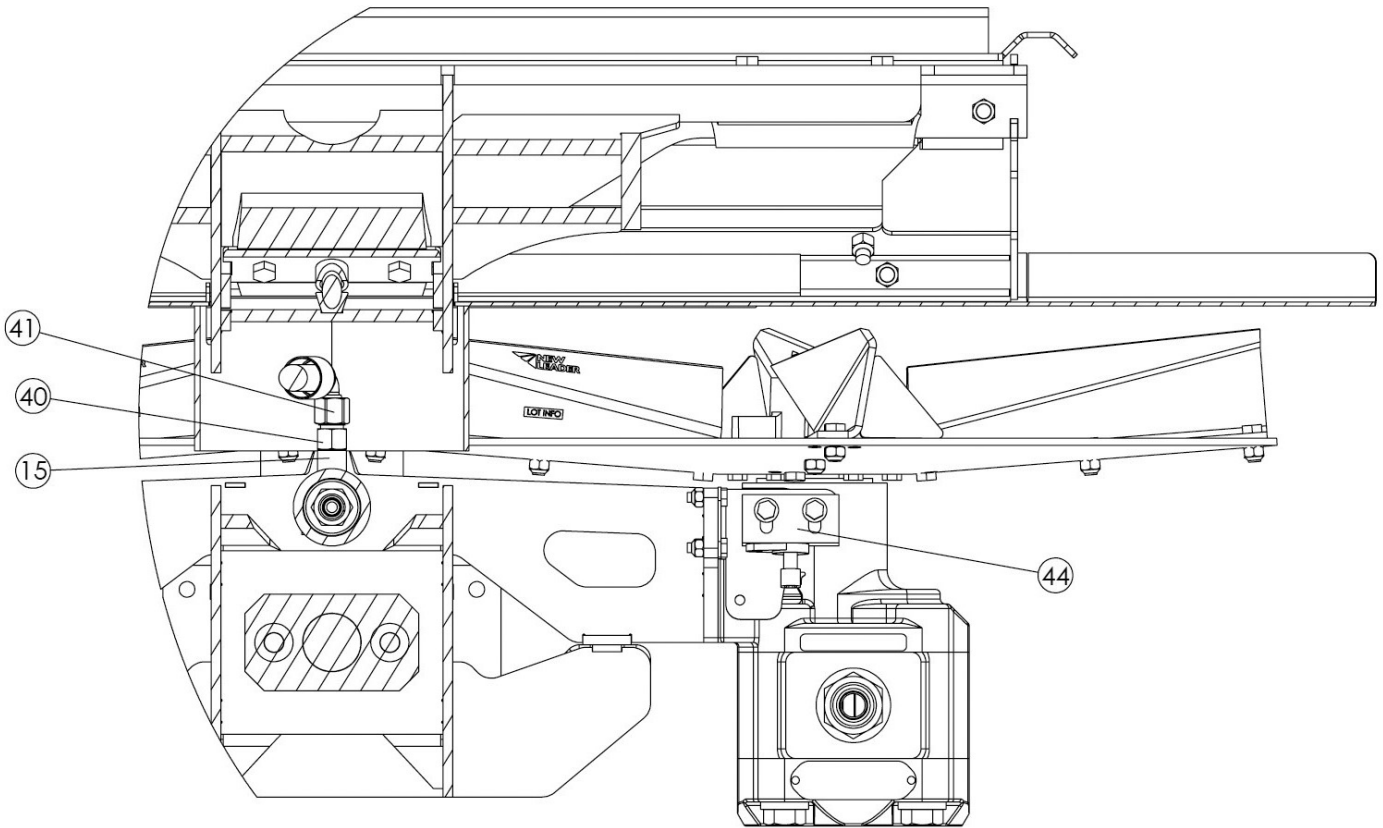
Spinners

Spinner Frame Assembly



Spinners

Spinner Frame Assembly



Spinners

Spinner Frame Assembly

ITEM	PART NO.	DESCRIPTION	QTY
1	313112	Frame - Wldmt Spinner 304	1
2	319769	Mount - Wldmt Motor 304	1
3	313174	Guide - Assy Rod	4
4	313177	Plate - Backing 304	4
5	313178	Capscrew - .5-13nc X 3.25 SS	4
6	36402	Capscrew - .5-13nc X 1.25 SS	8
7	36293	Capscrew - .375-16nc X .75 SS	6
8	313179	Capscrew - .5-13nc X 3 Full	1
9	36398	Capscrew - .375-16nc X 1 SS	10
10	36401	Capscrew - .5-13nc X 1 SS	2
11	39016	Nut - Lock .5-13nc SS	4
12	36416	Nut - Hex .5-13nc SS	1
13	72054	Nut - Lock .375-16nc SS	10
14	42034	Nut - Lock .25-20nc SS	2
15	312951	Cylinder - 1.5 X 4.75 W/Sensor	1
16	313173	Pin - Clevis .625 X 1.5 SS	3
17	36427	Pin - Cotter .125 X 1 SS	2
18	313181	Motor - Assy Spinner LH	1
19	313182	Motor - Assy Spinner RH	1
20	305571	Washer - Rubber 3od X .94id X .13 Thick 60DURO	2
21	36422	Washer - Lock .5 SS	10
22	313148	Mount - Wldmt Bearing Lower	1
23	313169	Bearing - Lower	1
24	313151	Shroud - Wldmt Disc 304	1
25	36425	Washer - Flat .375 SS	8
26	87106	Disc - Assy LH	1
27	87105	Disc - Assy 24 RH	1
28	313170	Bearing - Front	1
29	47268	Screw - Flathead .25-20nc X 1	2
30	313171	Bearing - Assy Upper	2
31	313154	Divider - Assy 304	1
32	301315	Loctite - 243	AR

Spinners

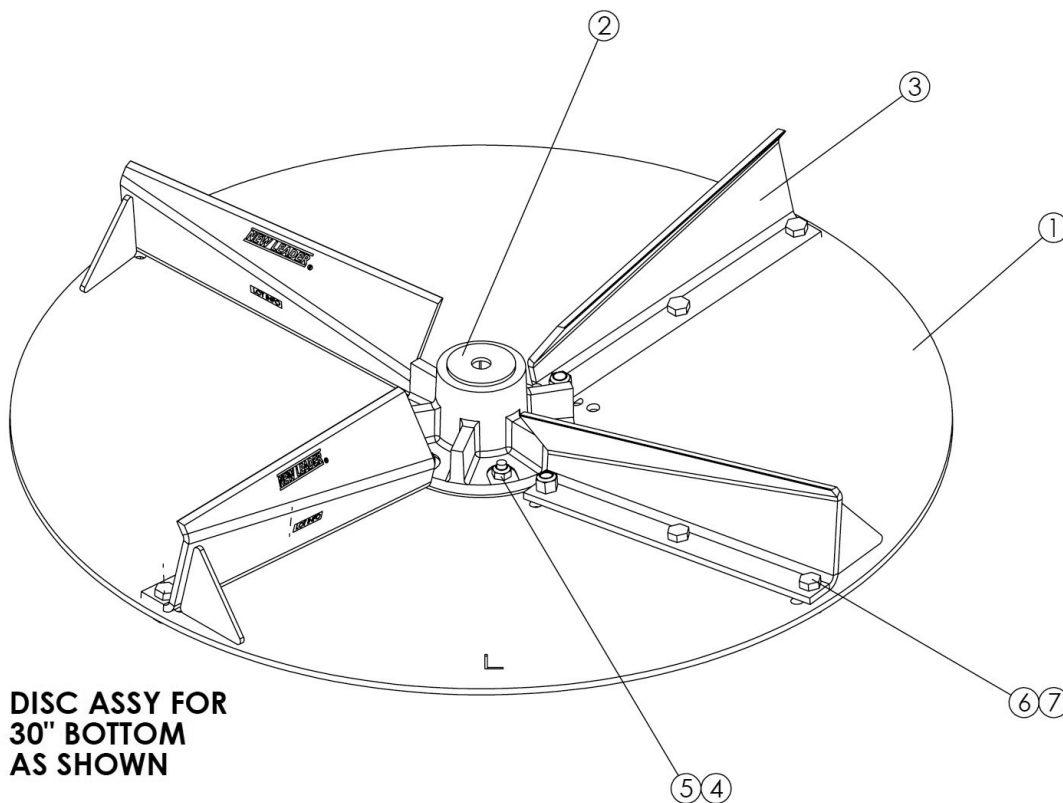
Spinner Frame Assembly

33	311082	Compound - Antiseize Heavy	AR
34	36429	Pin - Hair .148 X 2.688 SS	1
35	314775	Decal - Us Patent No 9,649,646	1
36	305410	Clamp - Tubing Twin .625	1
37	309619	Capscrew - .313-18nc X 2 SS	1
38	42221	Nut - Lock .313-18nc SS	1
39	313465	Fitting - 6-4-520220	1
40	313464	Fitting - 6-4 520120	1
41	313537	Hose - Assy .38 X 95.25 100r1	1
42	313538	Hose - Assy .38 X 88 100r1	1
43	312950	Cylinder - 1.5 X 23 W/Sensor	1
44	316597	Sensor - Group Dual Spinner	1
45	319713	Y - Wldmt 304	1
46	311732	Pin - Lock .375 X 1.375 SS	1

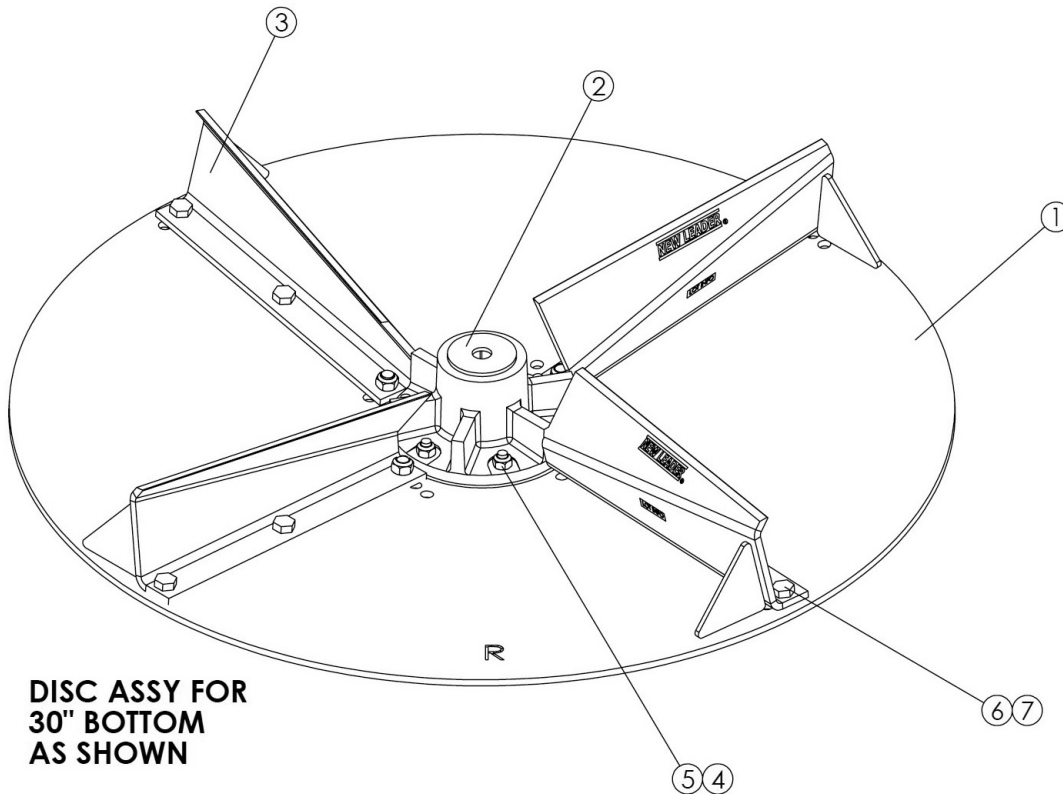
AR = As Required

Spinners

Spinner Disc Assembly



DISC ASSY FOR
30" BOTTOM
AS SHOWN

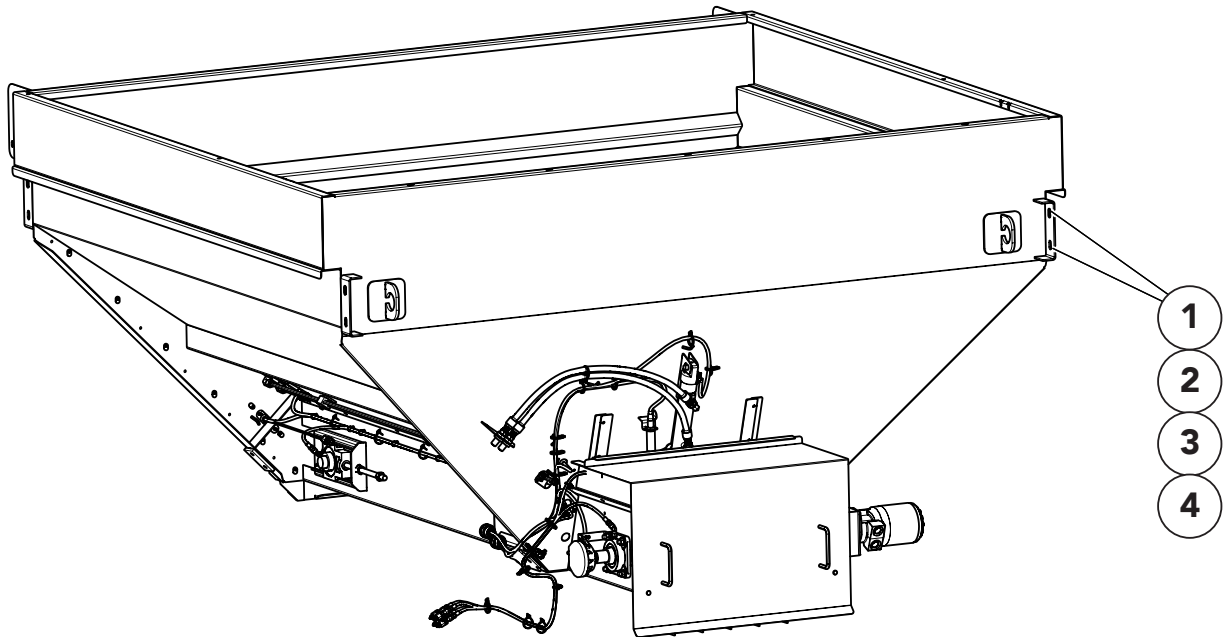


DISC ASSY FOR
30" BOTTOM
AS SHOWN

Spinners**Spinner Disc Assembly**

<u>ITEM</u>	<u>PART NO.</u>	<u>DESCRIPTION</u>	<u>QTY</u>
1	27056-X5	Disc - Distributor LH Painted	1
-	27056-X4	Disc - Distributor RH Painted	1
2	10877	Hub - Wldmt	1
3	309092	Fin - Wldmt LH	4
-	309091	Fin - Wldmt RH	4
4	20004	Capscrew - .25-20nc X .875 Gr5	6
5	20676	Nut - Lock .25-20nc Zn	6
6	20035	Capscrew - .313-18nc X .875 Gr5	12
7	20677	Nut - Lock .313-18nc Zn	12

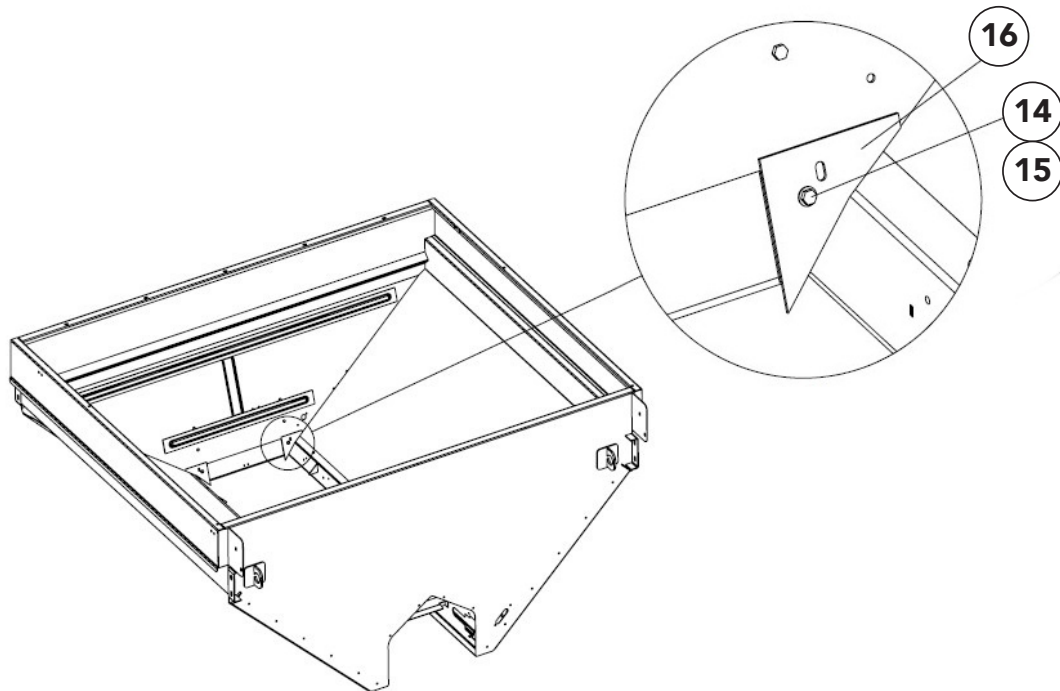
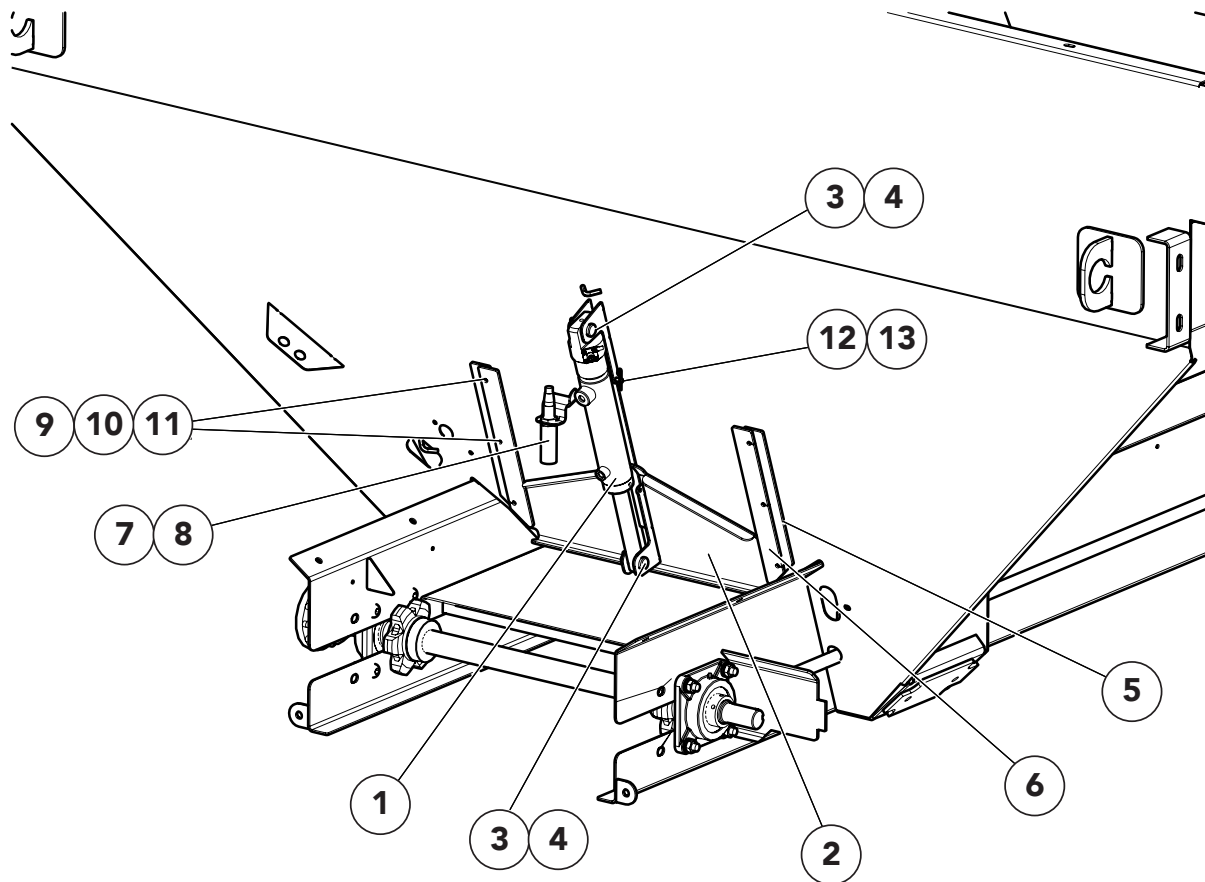
MultApplier



<u>ITEM</u>	<u>PART NO.</u>	<u>DESCRIPTION</u>	<u>QTY</u>
1	20128-X1	Cap Screw - 1/2-13NC x 1-1/4 GR8	8
2	20695	Washer - Flat 1/2 ZN	16
3	20714	Washer - Lock 1/2 ZN	8
4	20646	Nut - Hex 1/2-13NC ZN	8

MultApplier

Rear Feedgate

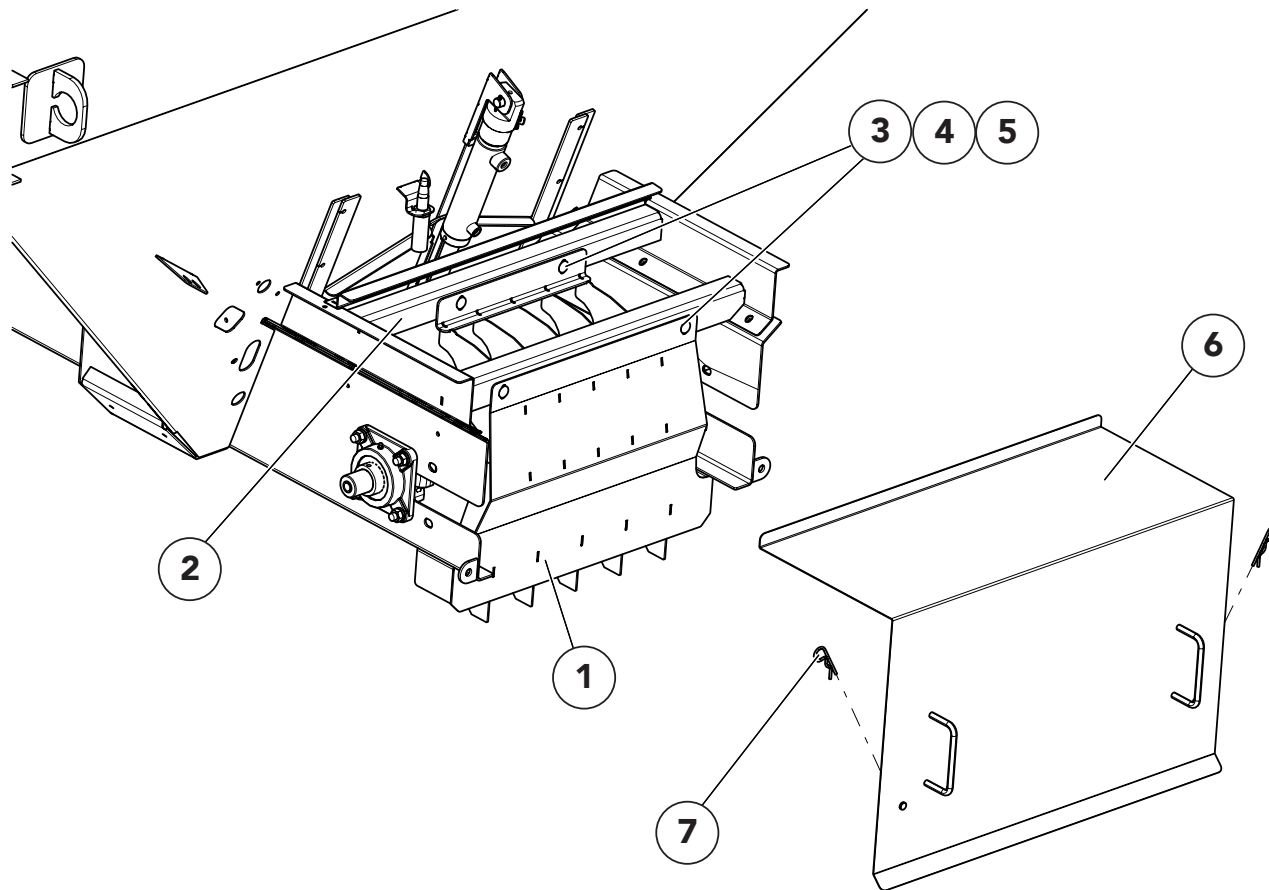


Rear Feedgate

<u>ITEM</u>	<u>PART NO.</u>	<u>DESCRIPTION</u>	<u>QTY</u>
1	312951	Cylinder - 1.5 x 4.75 w/ Sensor	1
2	313265	Feedgate - Wldmt 304	1
3	313173	Pin - Clevis	2
4	36427	Pin - Cotter	2
5	313375	Bar - Feedgate Guide 304	2
6	313376	Bar - Feedgate Slide 304	2
7	313377	Sensor - Ultrasonic	1
8	313378	Cover - Sensor	1
9	36394	Cap Screw - 1/4-20NC x 7/8 SS	6
10	36418	Washer - Lock 1/4 SS	6
11	36412	Nut - Hex 1/4-20NC SS	6
12	98476	Pin - Clevis	1
13	41779	Pin - Hair	1
14	36395	Capscrew - .25-20NC x 1 SS	2
15	36423	Washer - Flat .25 SS	2
16	306558	Sealer - Feedgate Bolt-In 304	2

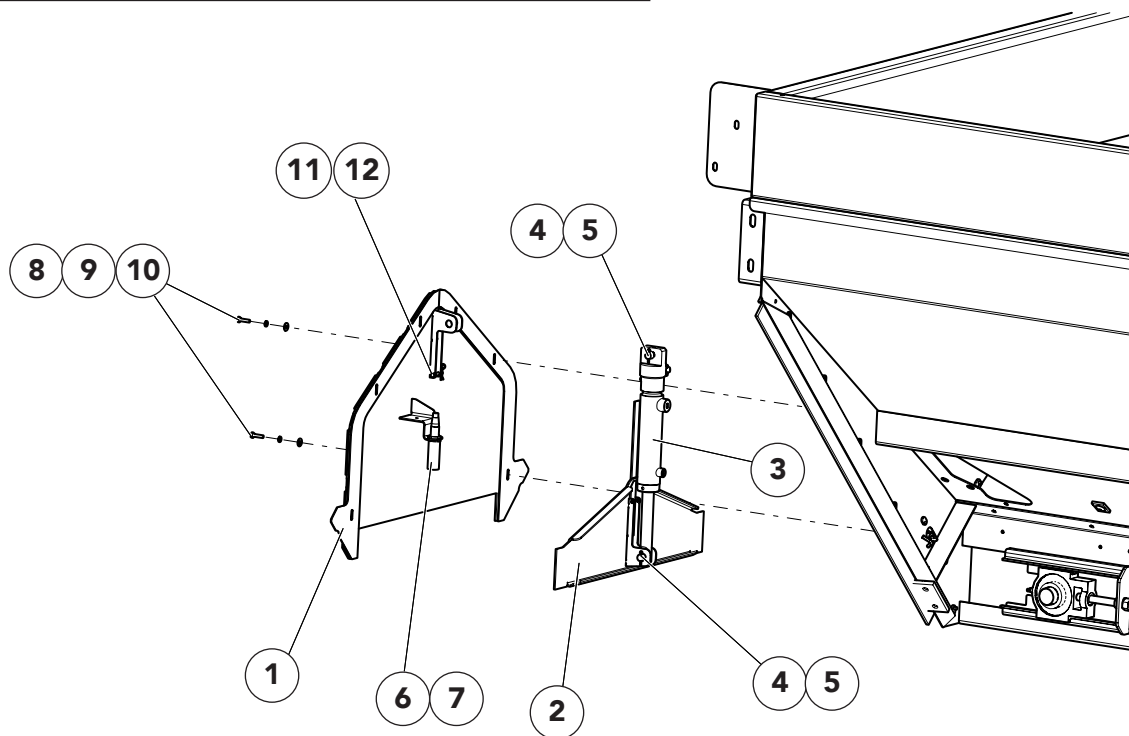
MultApplier

Hillside Divider & Conveyor Cover



<u>ITEM</u>	<u>PART NO.</u>	<u>DESCRIPTION</u>	<u>QTY</u>
1	313236	Hillside Divider Wldmt 304	1
2	313246	Support - Hillside Divider Wldmt 304	1
3	36408	Bolt - Carriage 3/8-16NC x 1 SS	4
4	36425	Washer - Flat 3/8 SS	4
5	72054	Nut - Lock 3/8-16NC SS	4
6	313249	Cover - Wldmt Rear 304	1
7	36429	Pin - Hair	2

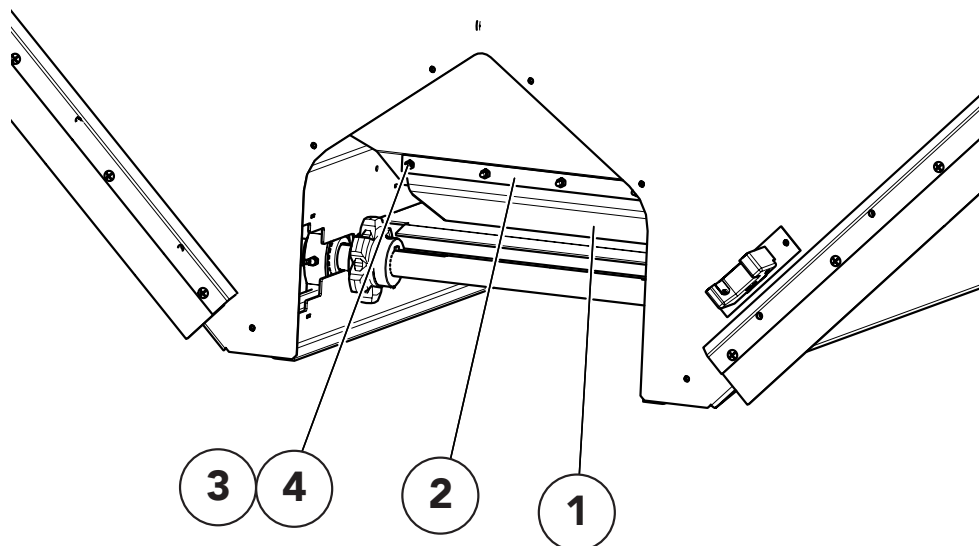
Front Feedgate



<u>ITEM</u>	<u>PART NO.</u>	<u>DESCRIPTION</u>	<u>QTY</u>
	313254	Feedgate - Assy Front, Includes Items 1 - 7	1
1	313255	Insert - Wldmt Feedgate Front 304	1
2	313262	Feedgate - Wldmt 304	1
3	312951	Cylinder - 1.5 x 4.75 w/ Sensor	1
4	313173	Pin - Clevis	2
5	36427	Pin - Cotter	2
6	313377	Sensor - Ultrasonic	1
7	313378	Cover - Sensor	1
8	36395	Cap Screw - 1/4-20NC x 1 SS	6
9	36423	Washer - Flat 1/4 SS	6
10	36418	Washer - Lock 1/4 SS	6
11	98476	Pin - Clevis	1
12	41779	Pin - Hair	1

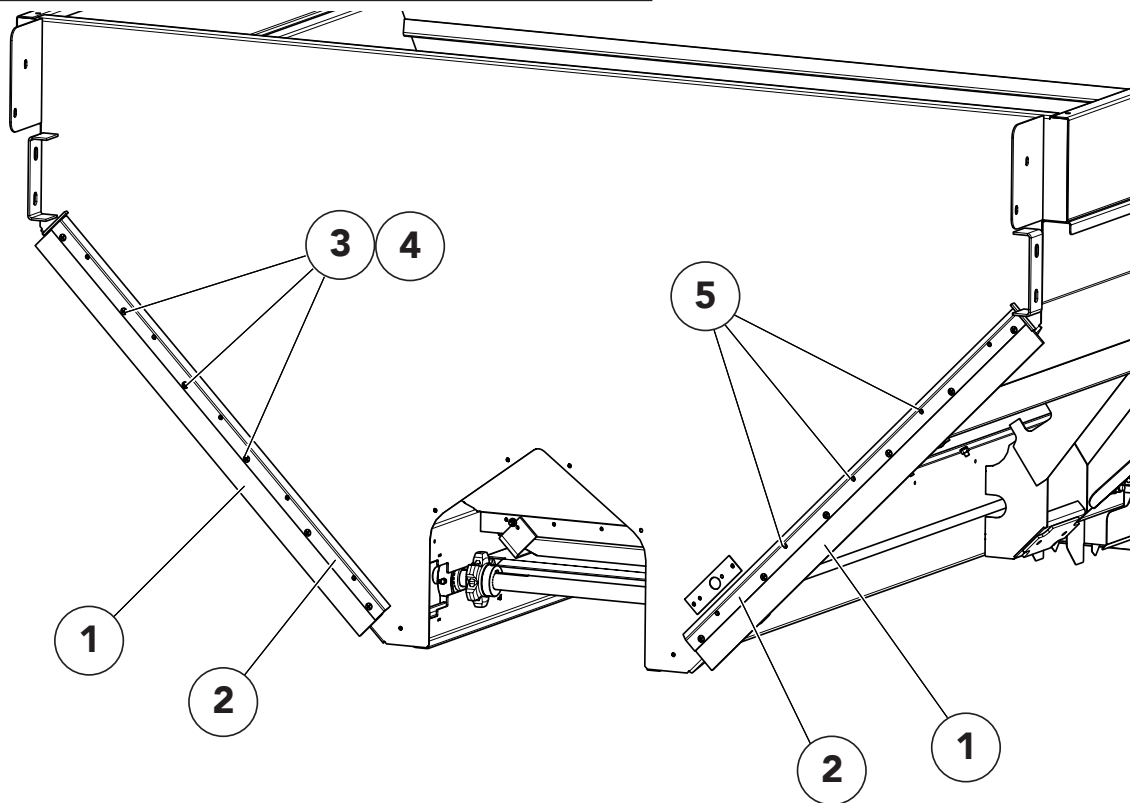
MultApplier

Front Wiper



ITEM	PART NO.	DESCRIPTION	QTY
	86894	Wiper - Group Front, Includes Items 1 - 4	1
1	39426	Wiper - Belt Front	1
2	54230	Retainer - Wiper	1
3	42033	Screw - Machine 1/4-20NC x 1	5
4	36412	Nut - Hex 1/4-20NC	5

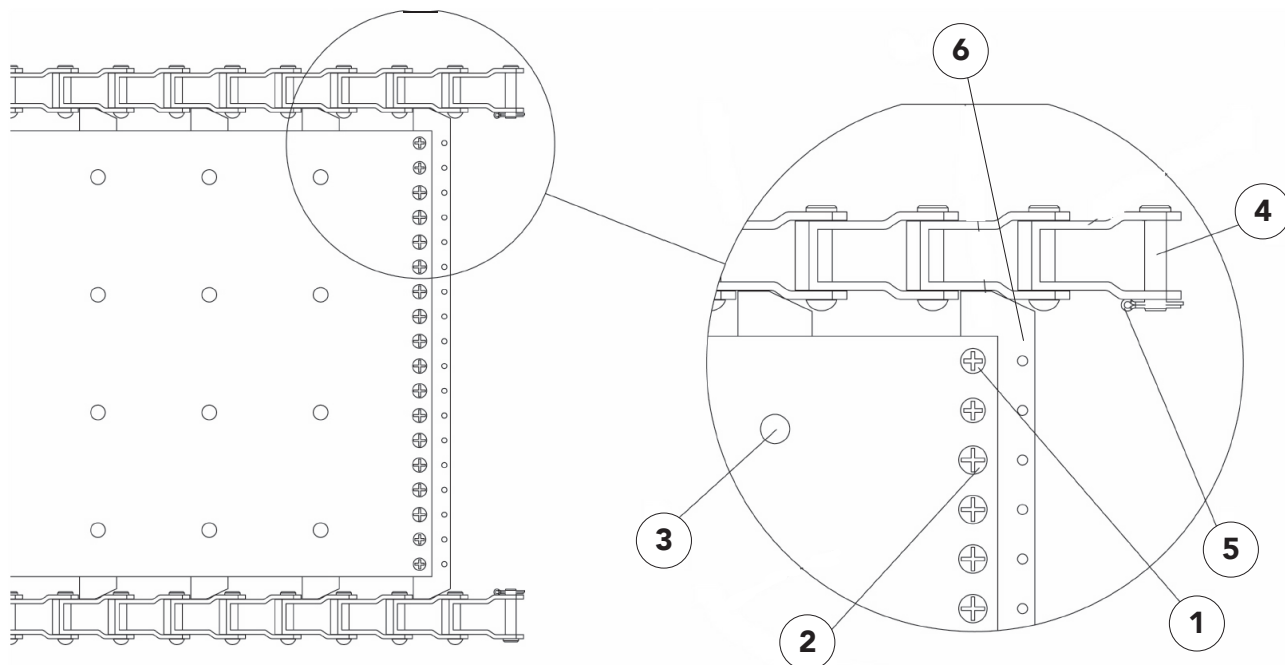
Sealers



<u>ITEM</u>	<u>PART NO.</u>	<u>DESCRIPTION</u>	<u>QTY</u>
	313408	Sealer - Group Front, Includes Items 1 - 5	1
	306637	Seal - Assy 304, Includes Items 1 - 4	2
1	306582	Seal - Belting Pre-Cut	2
2	306581	Retainer - Seal 304	2
3	56258	Screw - Truss Head 1/4-20NC x 1/2 SS	12
4	88931	Nut - Tee 1/4-20NC x 1/4	12
5	36395	Cap Screw - 1/4-20NC x 1 SS	10

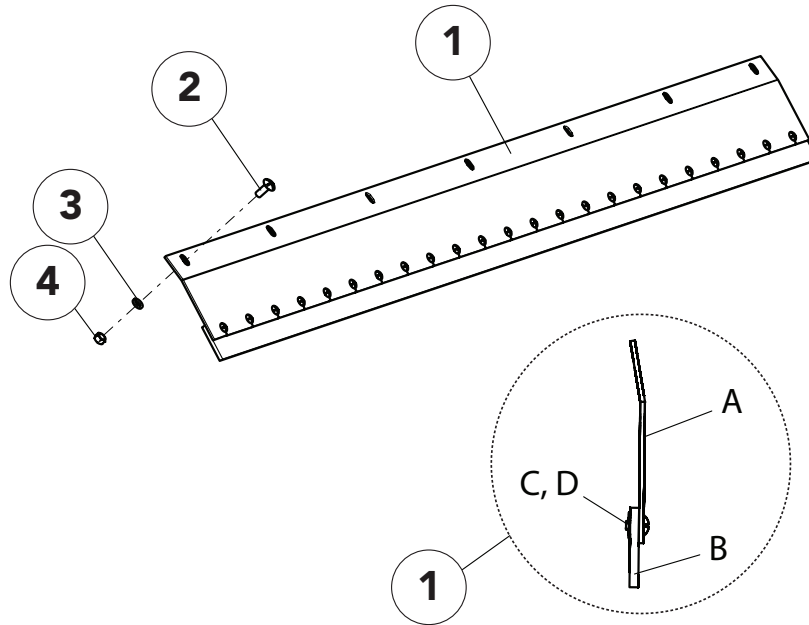
MultApplier

#4 Belt-Over-Chain Conveyor



ITEM	PART NO.	DESCRIPTION	QTY
	308712-AA	Chain Wldmt - 5' Unit, Includes Items 1 - 6	1
	308712-AC	Chain Wldmt - 7' Unit, Includes Items 1 - 6	1
1	20617	Screw - Flat 1/4-20NC x 1/2	8
2	20624	Screw - Truss Head 1/4-20NC x 1/2	28
3	308534	Screw - 1/4 x 1/2-20NC	AR
4	21118	Pin - Chain Pintle	2
5	20817	Pin - Cotter	2
6	70473	Bar - Splicer	1

Chain Shields

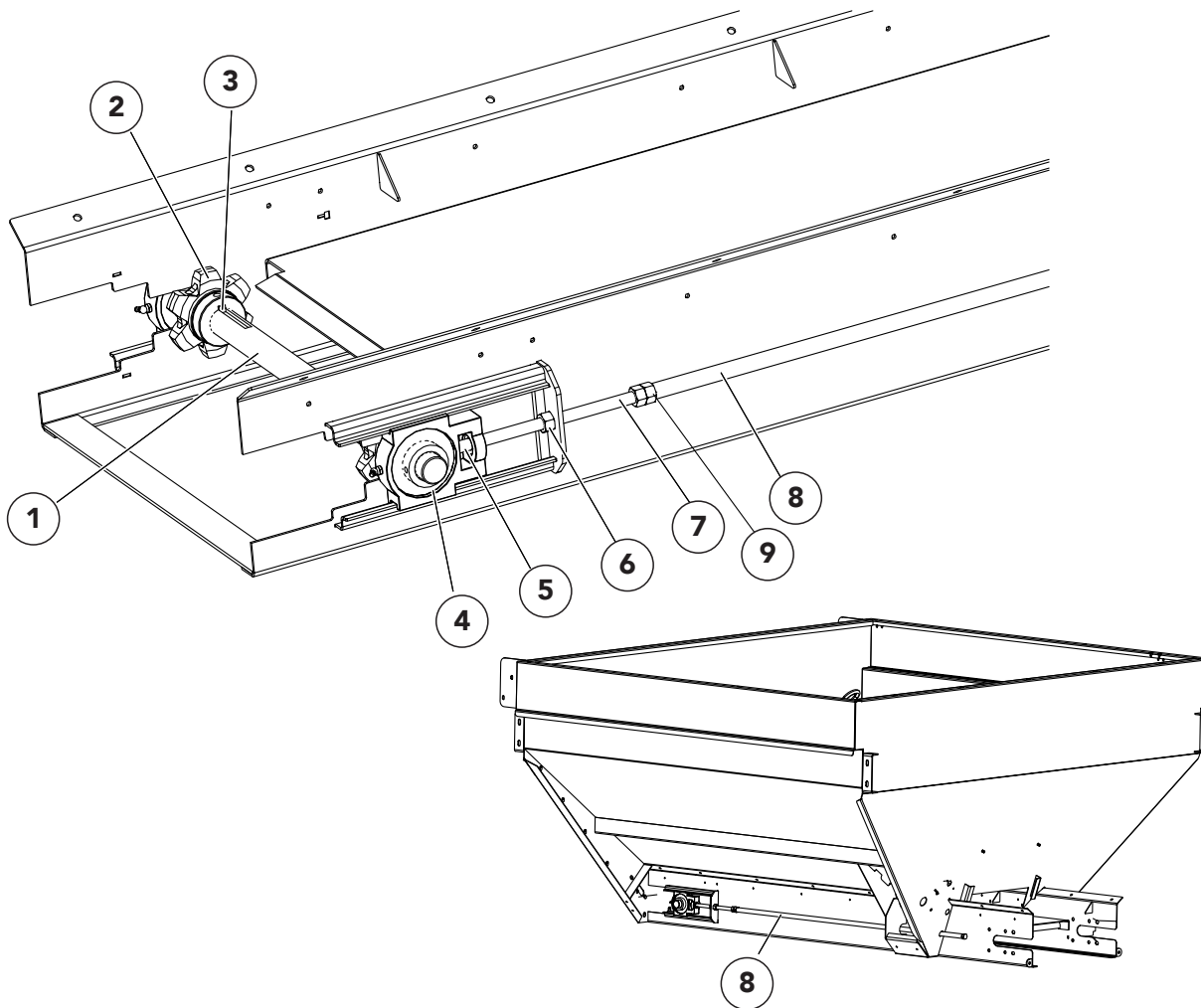


<u>ITEM</u>	<u>PART NO.</u>	<u>DESCRIPTION</u>	<u>QTY</u>
1	86876	Shield – Chain Assy - 5' Unit	2
	303977	Shield – Chain Assy - 7' Unit	2
A	86798	Shield – Chain - 5' Unit	2
	303978	Shield – Chain - 7' Unit	2
B	305975	Belting – Sealer, specify length	AR
C	56258	Screw – Truss Head 1/4-20 x 1/2	AR
D	88931	Nut – Tee 1/4 x 1/4	AR
2	71829	Screw – Machine 3/8-16 x 1 SS	AR
3	36420	Washer – Lock 3/8 SS	AR
4	36414	Nut – Hex 3/8-16 SS	AR

AR – As Required

MultApplier

Conveyor Idler

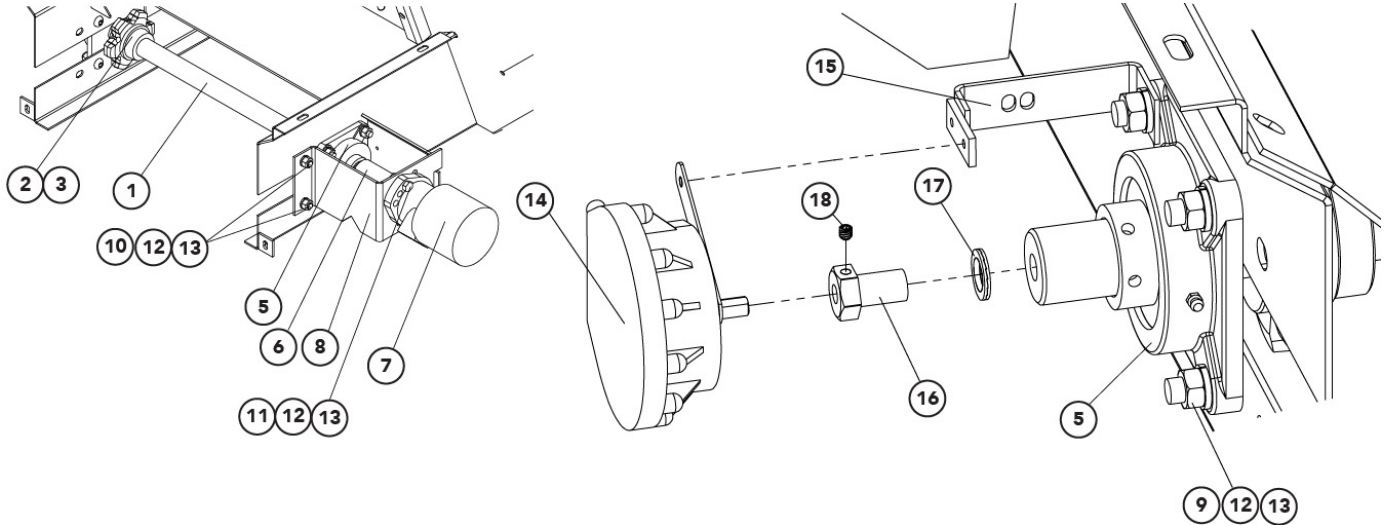


ITEM	PART NO.	DESCRIPTION	QTY
	89780	Shaft - Idler Assy, Includes 1-5	
1	89779	Shaft - Idler	1
2	86757	Sprocket	2
	20743	Screw - Set 5/16-18NC x 3/8	4
3	6131	Key - Square	2
4	22511	Bearing	2
5	17078	Collar - Set	2
6	87856	Nut Wldmt 304	2
7	87857	Bolt Wldmt	2
8	306974	Extended Idler - Pipe Wldmt Adj 5' Unit 304	2
	306595	Extended Idler - Pipe Wldmt Adj 7' Unit 304	2

* - Not Shown

MultApplier

Conveyor Drive & Encoder

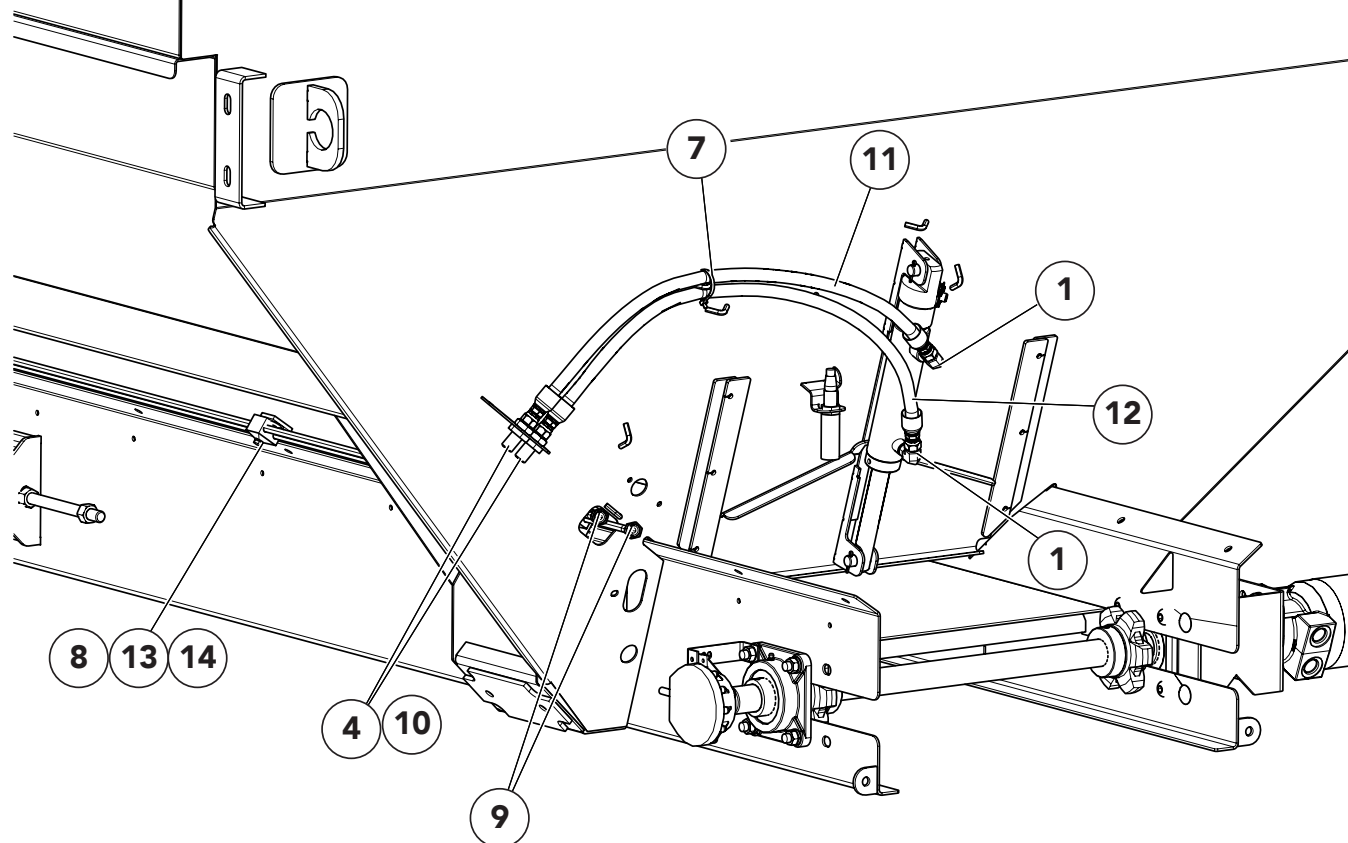


ITEM	PART NO.	DESCRIPTION	QTY
	86759-X1	Shaft - Drive Assy, Includes Items 1-5	
1	310644	Shaft - Drive	1
2	86757	Sprocket	2
3	6131	Key - Square	2
4	20743	Screw - Set	4
5	6697	Bearing	2
6	86762 *4059	Coupling - Shaft Key - Square 5/16 x 1-1/2	1 1
7	311056 *56327	Motor - Hydraulic 29.1 CID Seal Kit	1 1
8	86766	Mount - Motor	1
9	304484	Screw - Button Head 1/2-13NC x 1-1/2 SS	8
10	72056	Bolt - Carriage 1/2-13NC x 1 SS	2
11	36539	Cap Screw - 1/2-13NC x 1-1/2 SS	2
12	36422	Washer - Lock 1/2 SS	12
13	36416	Nut - Hex 1/2-13NC SS	12
14	303994	Encoder - Conveyor 180	1
15	304953-X1	Bracket - Encoder	1
16	310601	Coupler - Rate Sensor	1
17	310602	Washer - Special Lock	1
18	310603	Screw - Set 1/4-20NC x 5/16 SS	1

* - Not Shown

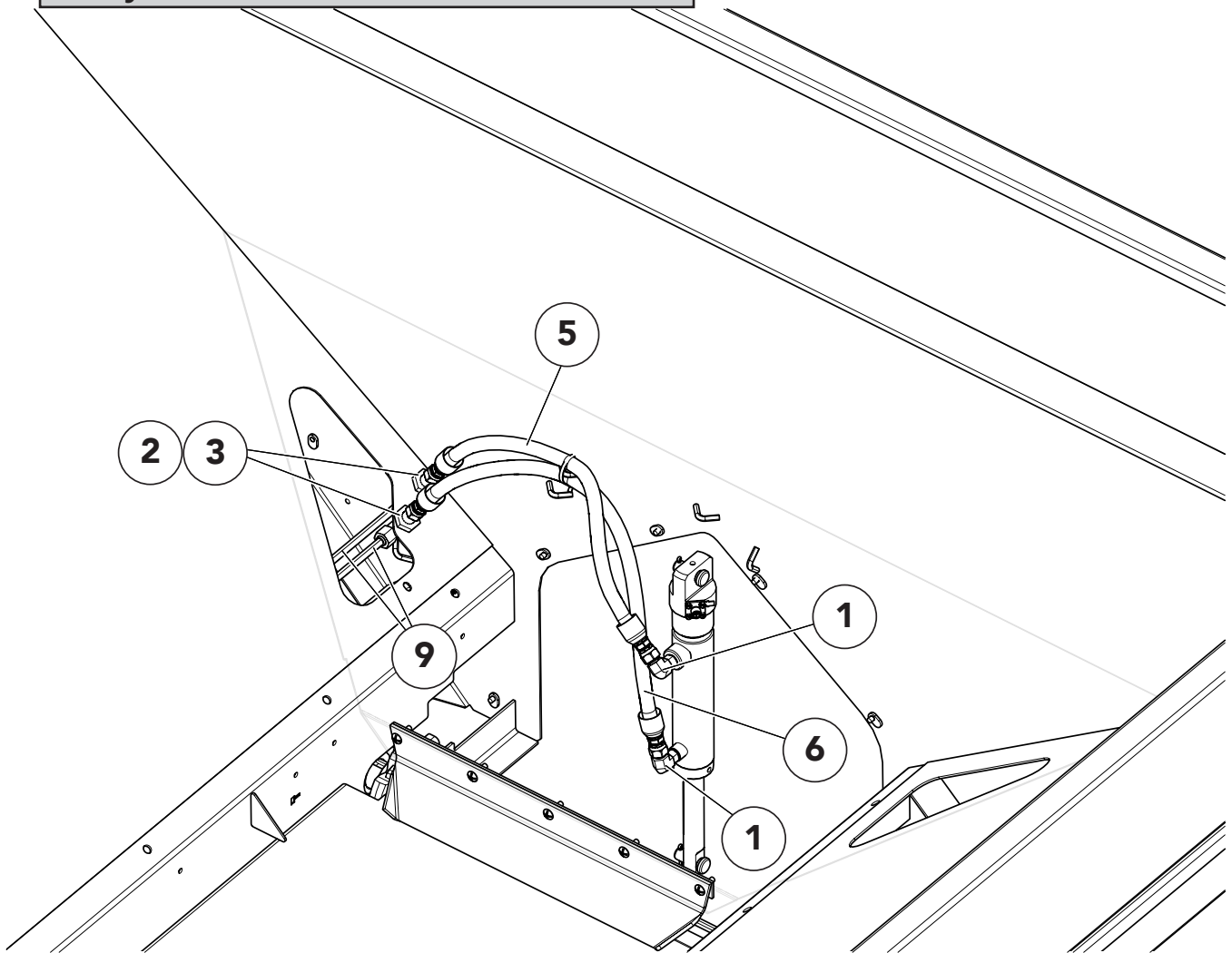
MultApplier

Hydraulics



ITEM	PART NO.	DESCRIPTION	QTY
1	313465	Fitting - 6-4 520220	4
2	313468	Fitting - 6-6 520701	2
3	313467	Fitting - 6 520118	2
4	313485	Fitting - 6 520118 304	2
5	313549	Hose - Assy SAE 6 x 23 100R1	1

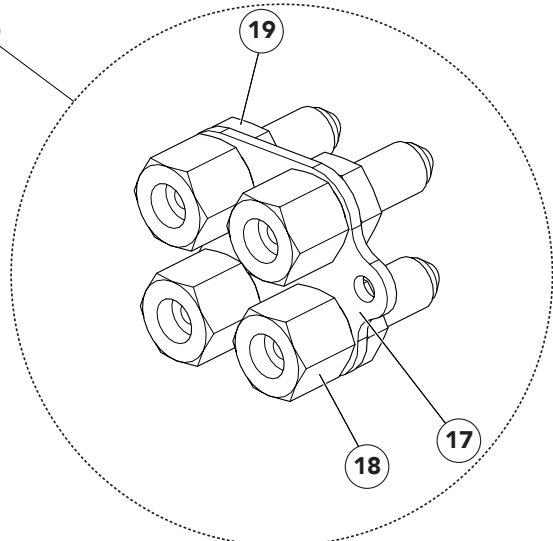
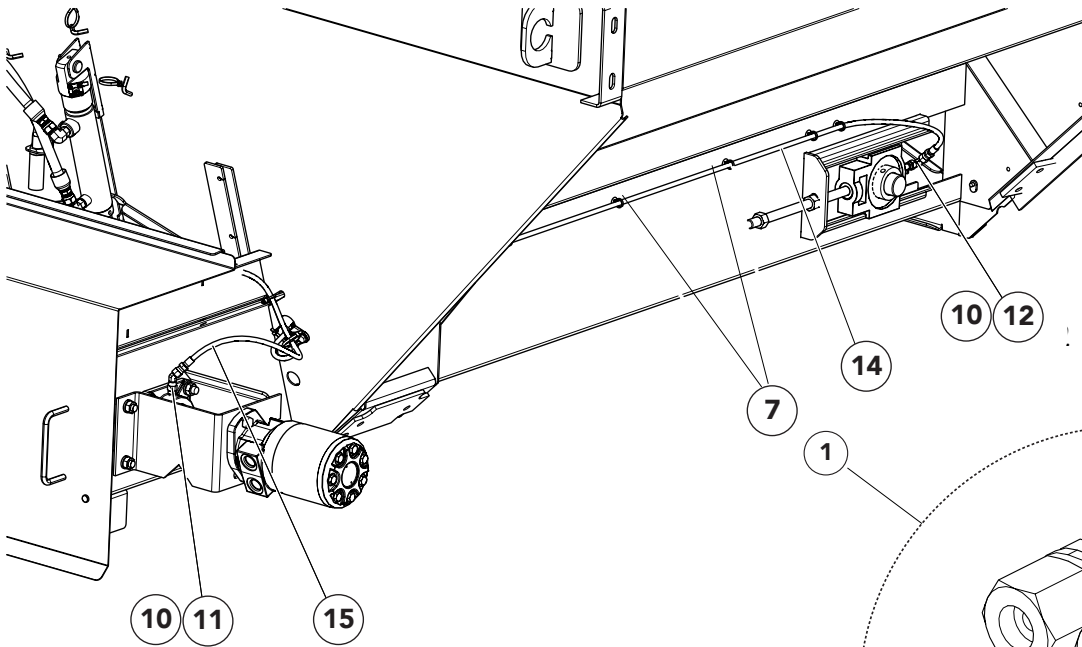
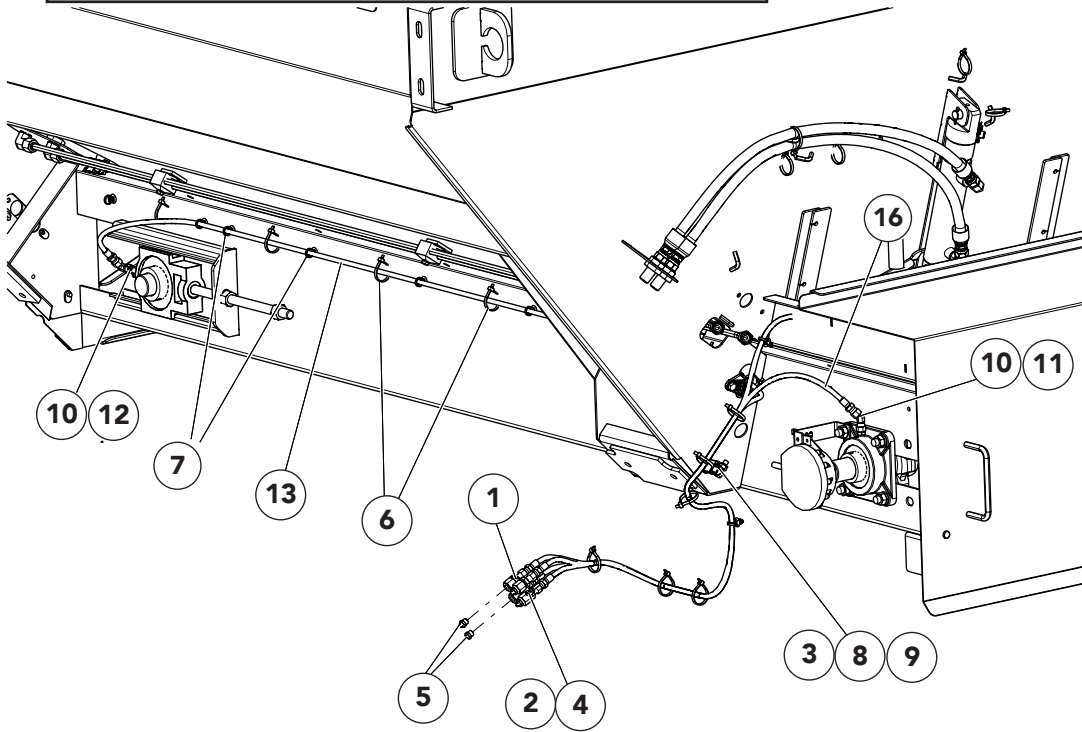
Hydraulics Cont.



<u>ITEM</u>	<u>PART NO.</u>	<u>DESCRIPTION</u>	<u>QTY</u>
6	313550	Hose - Assy SAE 6 x 24-1/2 100R1	1
7	99674	Tie - Wire	2
8	313385	Clamp - Tubing Twin 3/8	3
9	314428	Tube - Assy 3/8 SS 5' MultApplier	2
	313337	Tube - Assy 3/8 SS 7' MultApplier	2
10	313486	Fitting - 6-6 520601 304	2
11	313543	Hose - Assy SAE 6 x 30 100R1	1
12	313544	Hose - Assy SAE 6 x 32-1/2 100R1	1
13	36418	Washer - Lock 1/4	3
14	40750	Cap Screw - 1/4-20NC x 1-1/4 SS	3

MultApplier

Lubrication

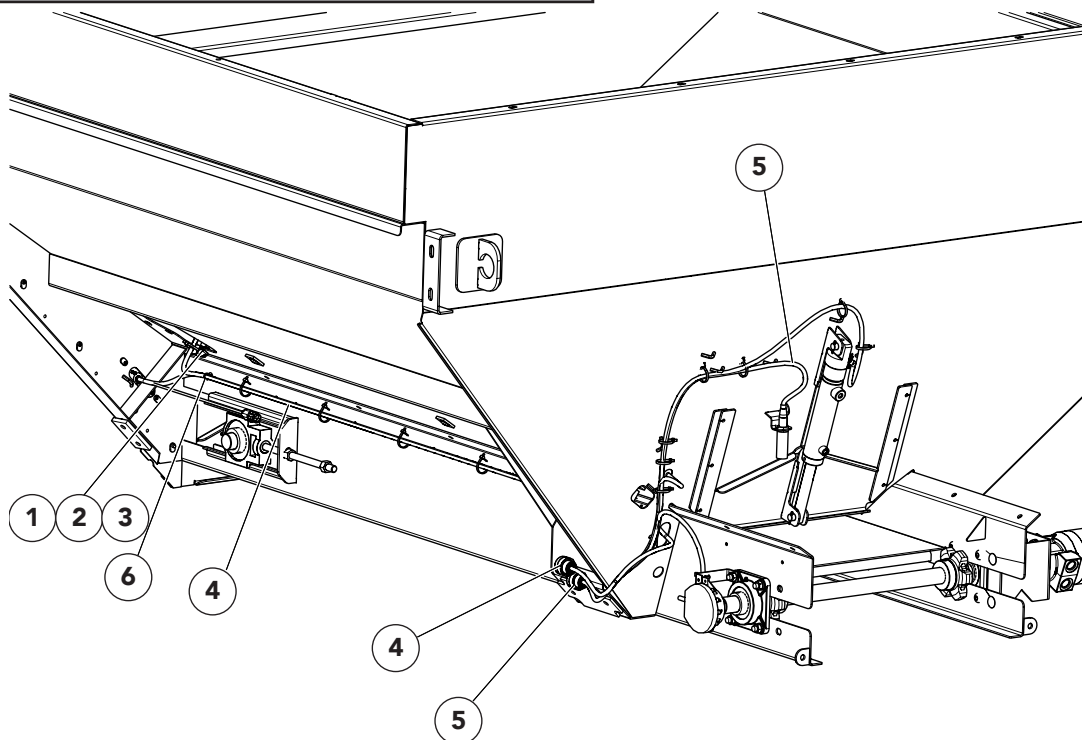


Lubrication Cont.

<u>ITEM</u>	<u>PART NO.</u>	<u>DESCRIPTION</u>	<u>QTY</u>
1	313915	Lube Bank - Assy 4 Position, Includes Items 17 - 19	1
2	44454	Screw - Socket Head @10-24NC x 1 SS	2
3	42221	Nut - Lock 5/16-18NC SS	3
4	56355	Nut - Lock #10-24NC SS	2
5	313917	Zerk - Grease 1/8-27 NPT SS	4
6	99674	Tie - Wire	9
7	311806	Tie - Wire Fir Tree	19
8	312964	Clip - Harness Mounting	3
9	34580	Cap Screw - 5/16-18NC x 1 SS	3
10	34787	Fitting - 4-2 070102	4
11	313501	Fitting - 4-4 070321	2
12	34868	Fitting - 4-4 070221	2
13	314430 313667	Hose - Assy LH Idler Bearing 5' MultApplier Hose - Assy LH Idler Bearing 7' MultApplier	1 1
14	314431 313668	Hose - Assy RH Idler Bearing 5' MultApplier Hose - Assy RH Idler Bearing 7' MultApplier	1 1
15	313669	Hose - Assy LH Drive Bearing	1
16	313670	Hose - Assy RH Drive Bearing	1
17	313912	Plate - Lube Bank 4 Position	1
18	313916	Fitting - 4-2 Non-Standard Bulkhead	4
19	311489	Fitting - 4 070118 Nut	4

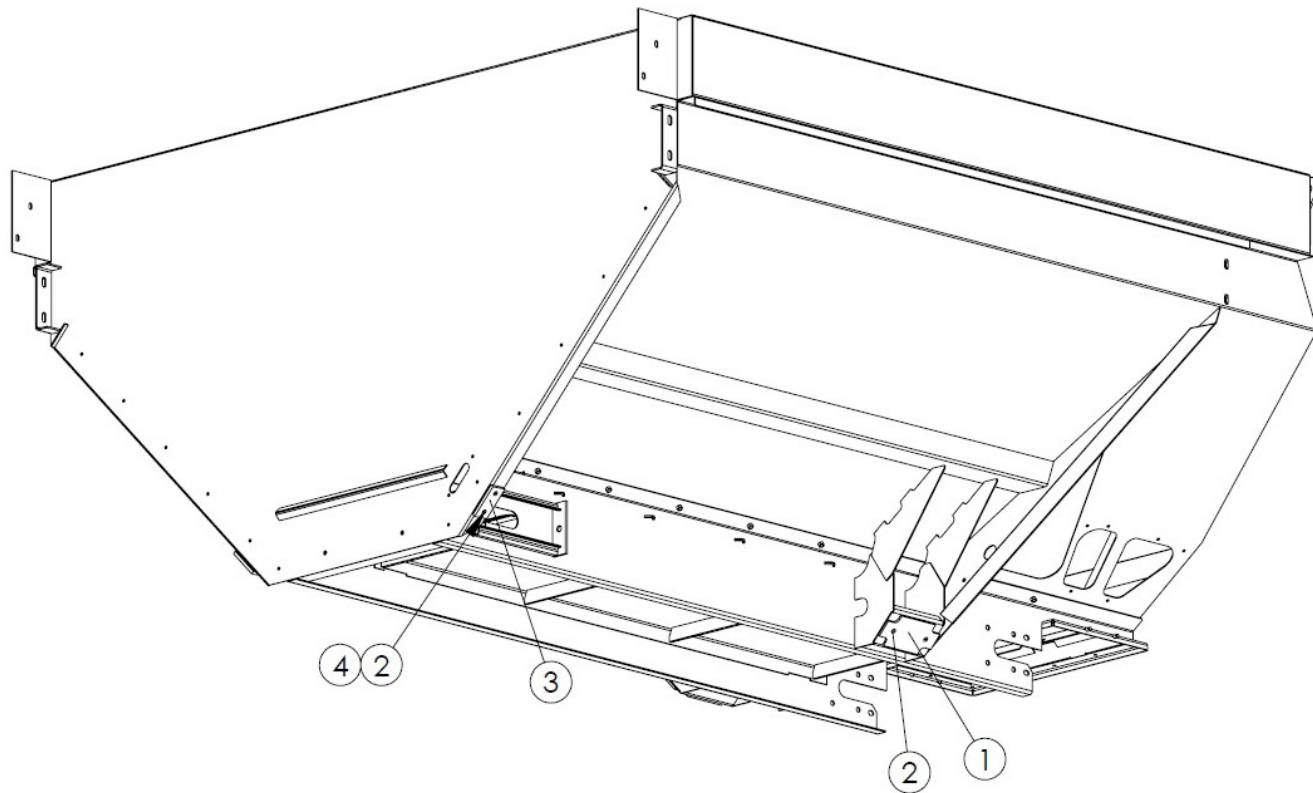
MultApplier

Electrical



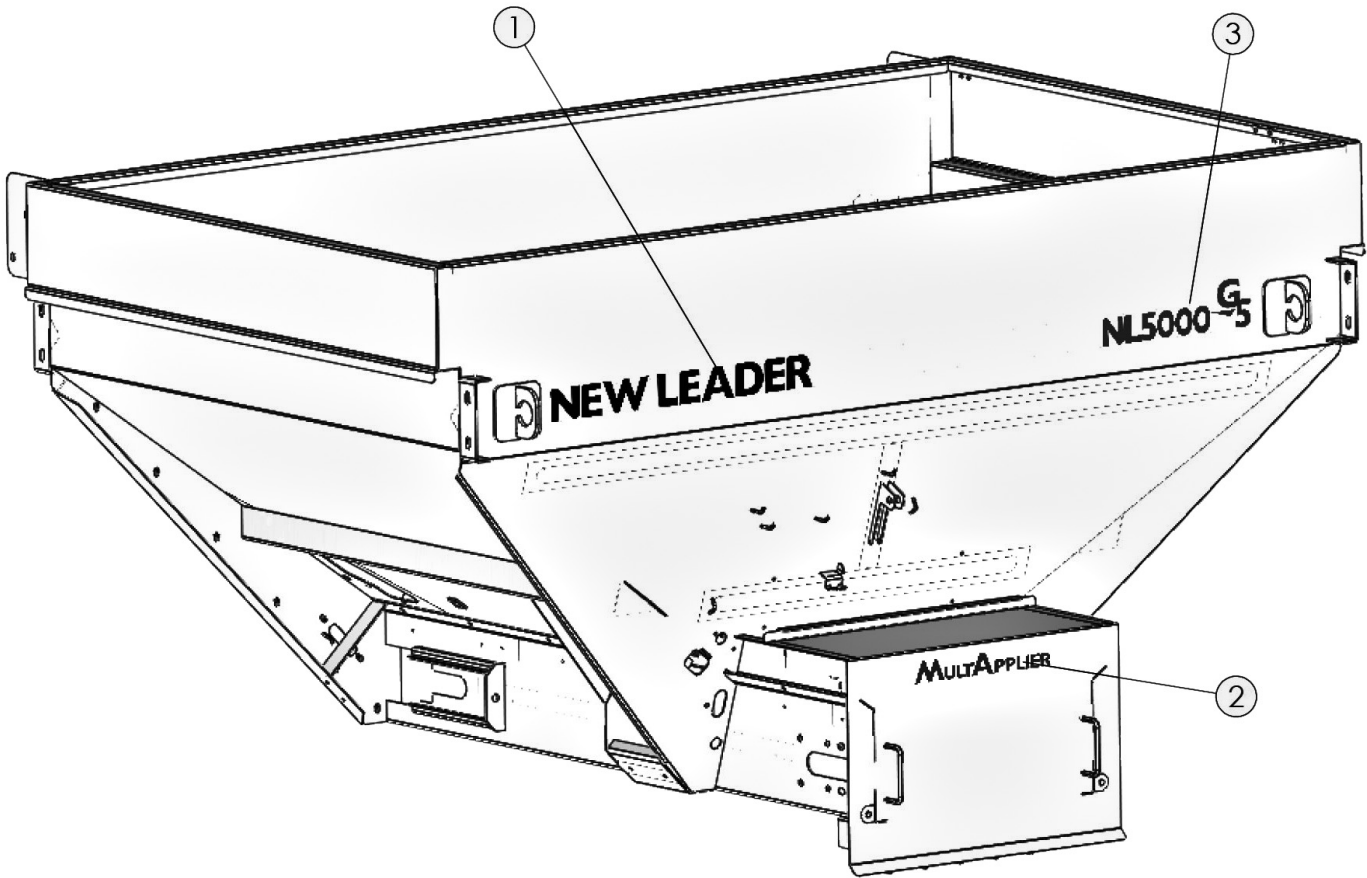
<u>ITEM</u>	<u>PART NO.</u>	<u>DESCRIPTION</u>	<u>QTY</u>
1	312964	Clip - Harness Mounting	1
2	34580	Cap Screw - 5/16-18NC x 1 SS	1
3	42221	Nut - Lock 5/16-18NC SS	1
4	99674	Tie - Wire	18
5	313998	Harness - Bin 1 Insert Control	1
6	313999	Harness - Bin 2 Insert Control	1
7	311806	Tie - Wire Fir Tree	2

Pads



<u>ITEM</u>	<u>PART NO.</u>	<u>DESCRIPTION</u>	<u>QTY</u>
1	306924	Mount - Foot Pad	2
2	47268	Screw - Flathead 1/4-20 x 1 SS	8
3	307097	Mount - Pad	2
4	42034	Nut - Lock 1/4-20 SS	4

Decals

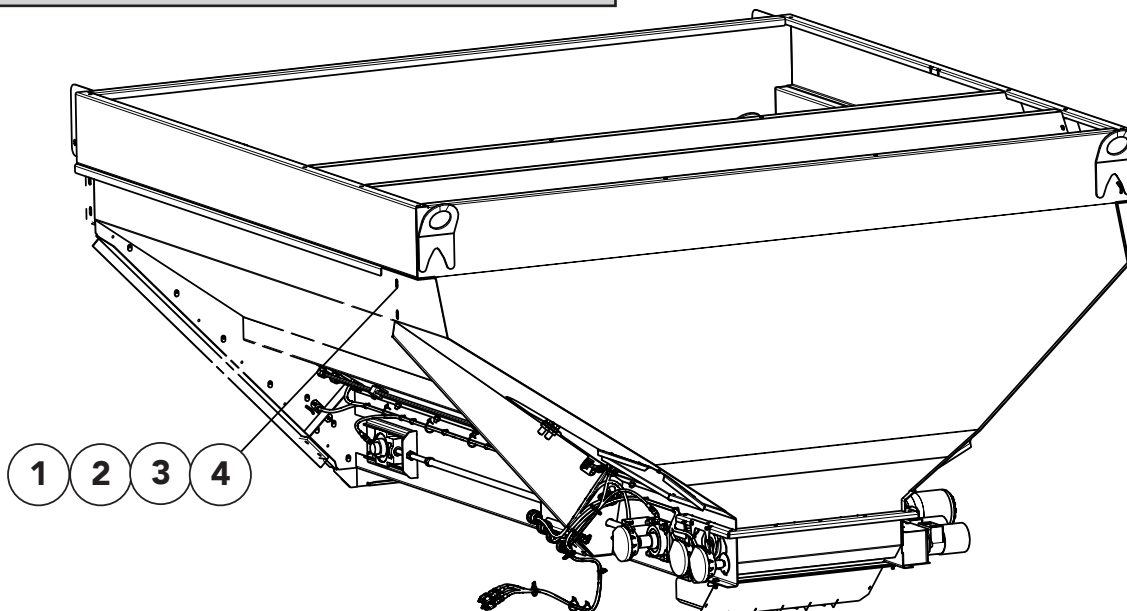


<u>ITEM</u>	<u>PART NO.</u>	<u>DESCRIPTION</u>	<u>QTY</u>
1	312561	Decal - New Leader Black	1
2	312591	Decal - MultApplier, Black	1
3	316502	Decal - NL5000 Black	1

This page is intentionally left blank.

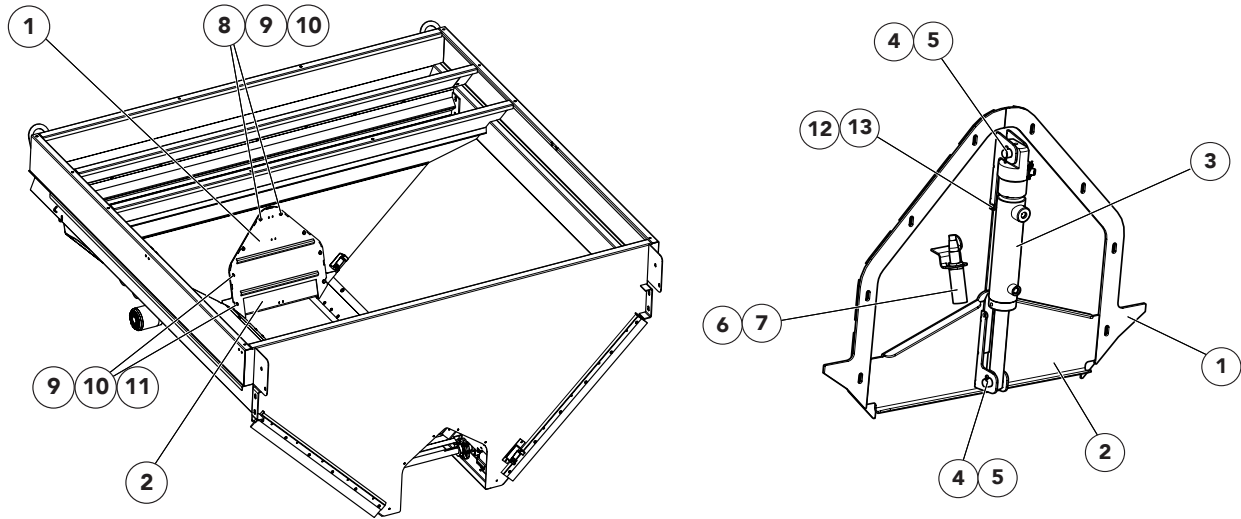
MultiBin

MultiBin



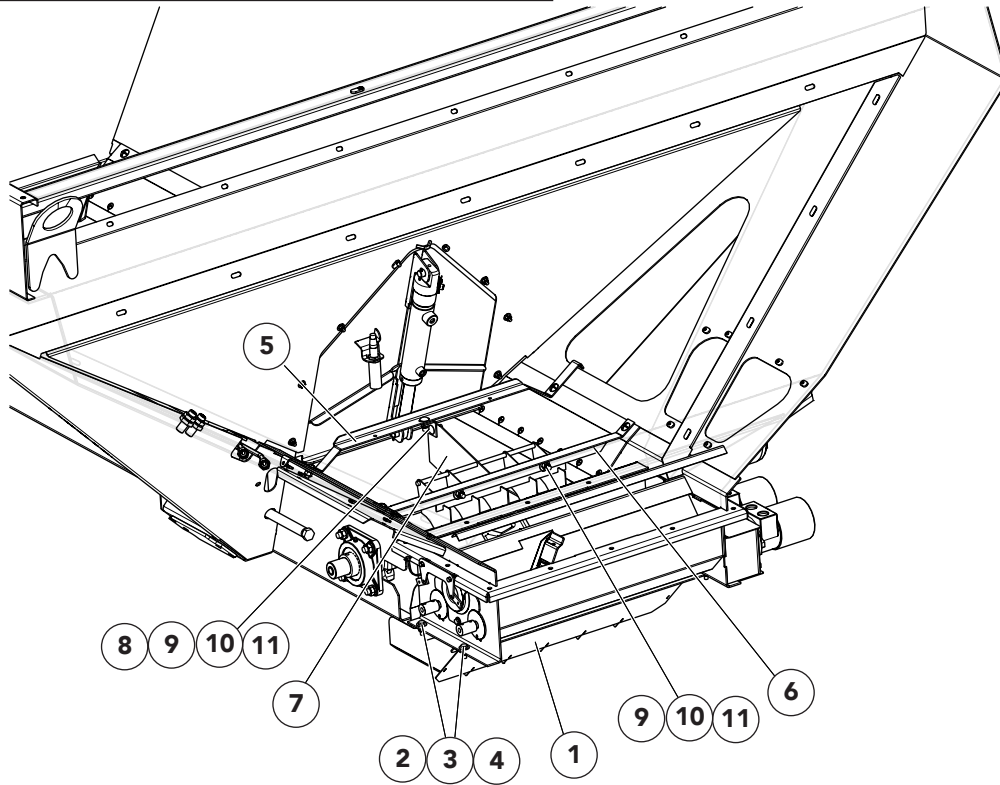
<u>ITEM</u>	<u>PART NO.</u>	<u>DESCRIPTION</u>	<u>QTY</u>
1	20129-X1	Cap Screw - 1/2-13NC x 1-1/2 GR8	8
2	20695	Washer - Flat 1/2 ZN	16
3	20714	Washer - Lock 1/2 ZN	8
4	20646	Nut - Hex 1/2-13NC ZN	8

Rear Feedgate



ITEM	PART NO.	DESCRIPTION	QTY
	313435	Feedgate - Assy Rear, Includes Items 1 - 7	1
1	313436	Insert - Wldmt Feedgate Rear 304	1
2	313265	Feedgate - Wldmt 304	1
3	312951	Cylinder - 1.5 x 4.75 w/ Sensor	1
4	313173	Pin - Clevis	2
5	36427	Pin - Cotter	2
6	313377	Sensor - Ultrasonic	1
7	313378	Cover - Sensor	1
8	36418	Washer - Lock 1/4 SS	2
9	36423	Washer - Flat 1/4 SS	14
10	36395	Cap Screw - 1/4-20NC x 1 SS	8
11	42034	Nut - Lock 1/4-20NC SS	2
12	98476	Pin - Clevis	1
13	41779	Pin - Hair	1

Divider

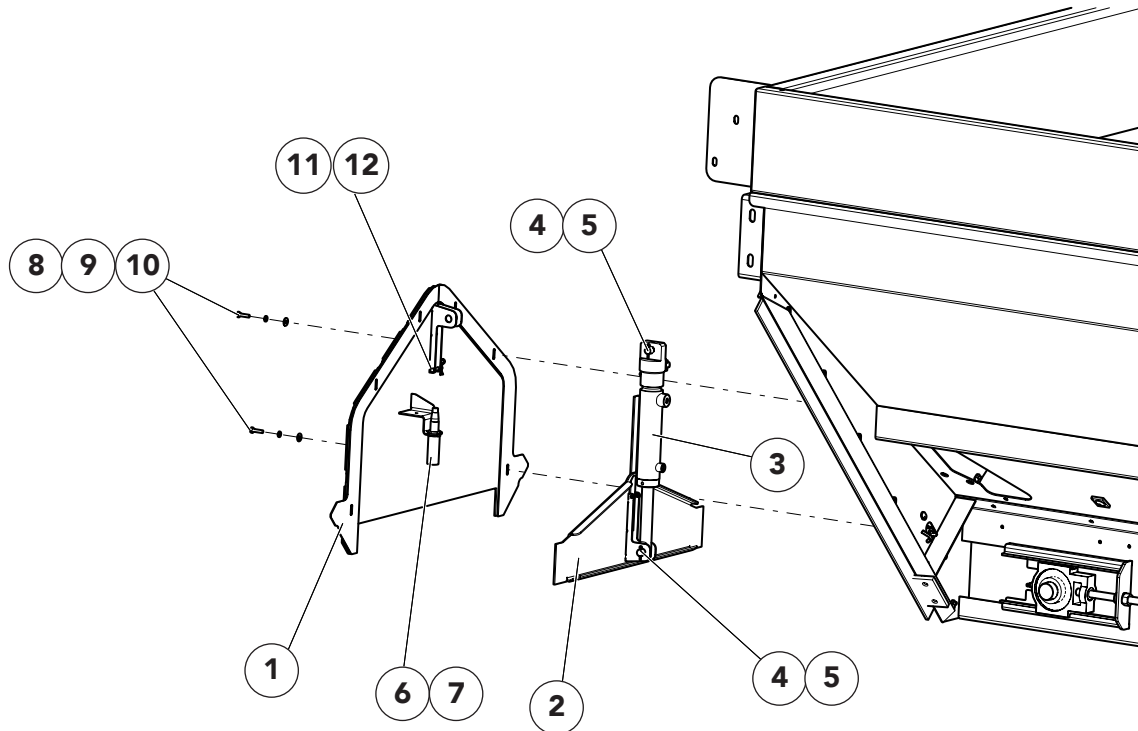


NOTE: MICROBIN PANELS GHOSTED FOR CLARITY.

<u>ITEM</u>	<u>PART NO.</u>	<u>DESCRIPTION</u>	<u>QTY</u>
	313302	Divider - Group Hillside 304, Includes Items 1 - 11	1
1	313303	Divider - Wldmt Lower 304	1
2	34580	Cap Screw - 5/16-18NC x 1 SS	4
3	36424	Washer - Flat 5/16 SS	8
4	42221	Nut - Lock 5/16-18NC SS	4
5	311928	Support - Divider Front 304	1
6	306577	Support - Divider Rear 304	1
7	306570	Divider - Wldmt Upper 304	1
8	306575	Clamp - Angle 304	1
9	36408	Bolt - Carriage 3/8-16NC x 1 SS	4
10	36425	Washer - Flat 3/8 SS	4
11	72054	Nut - Lock 3/8-16NC SS	4

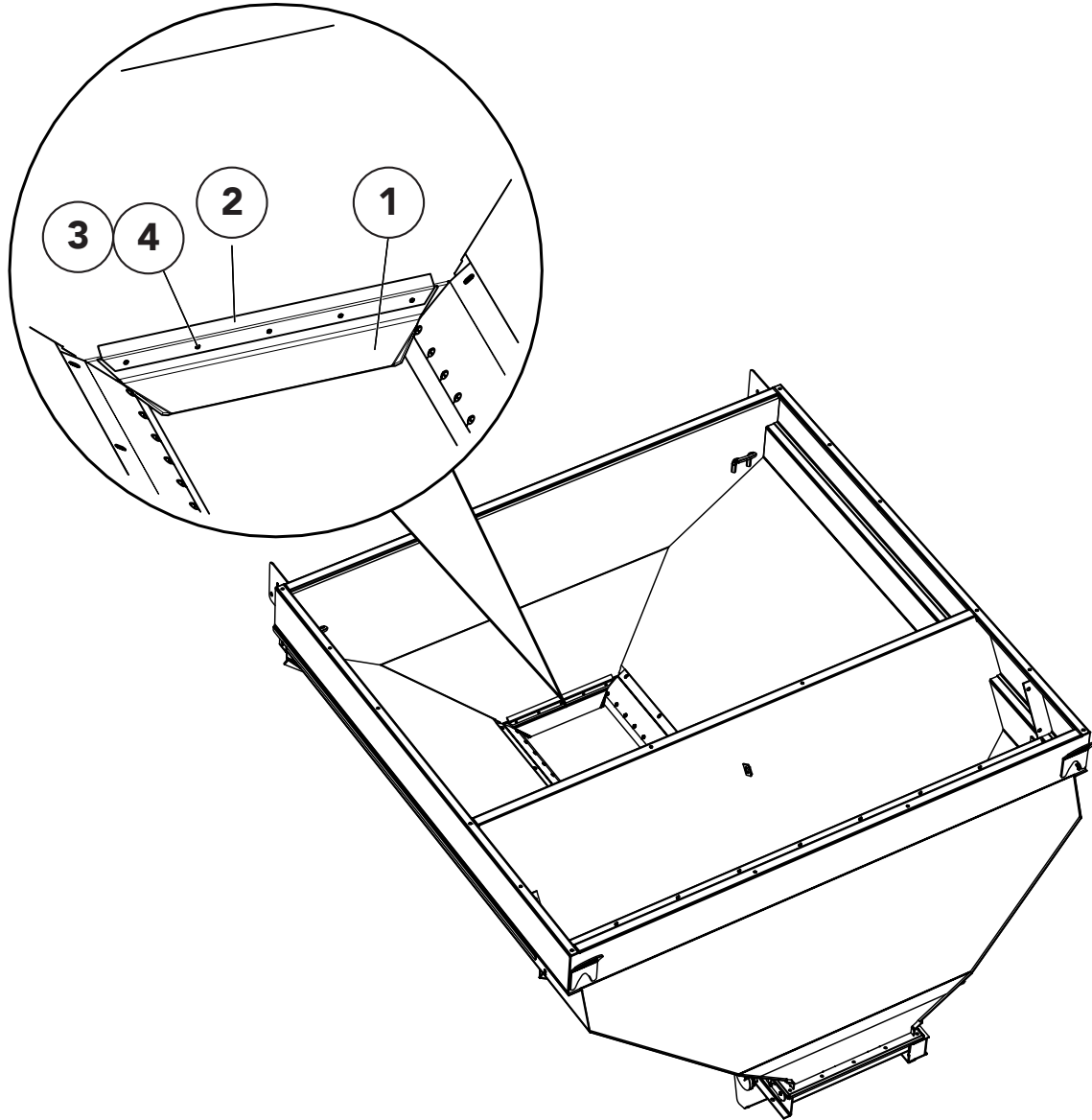
MultiBin

Front Feedgate



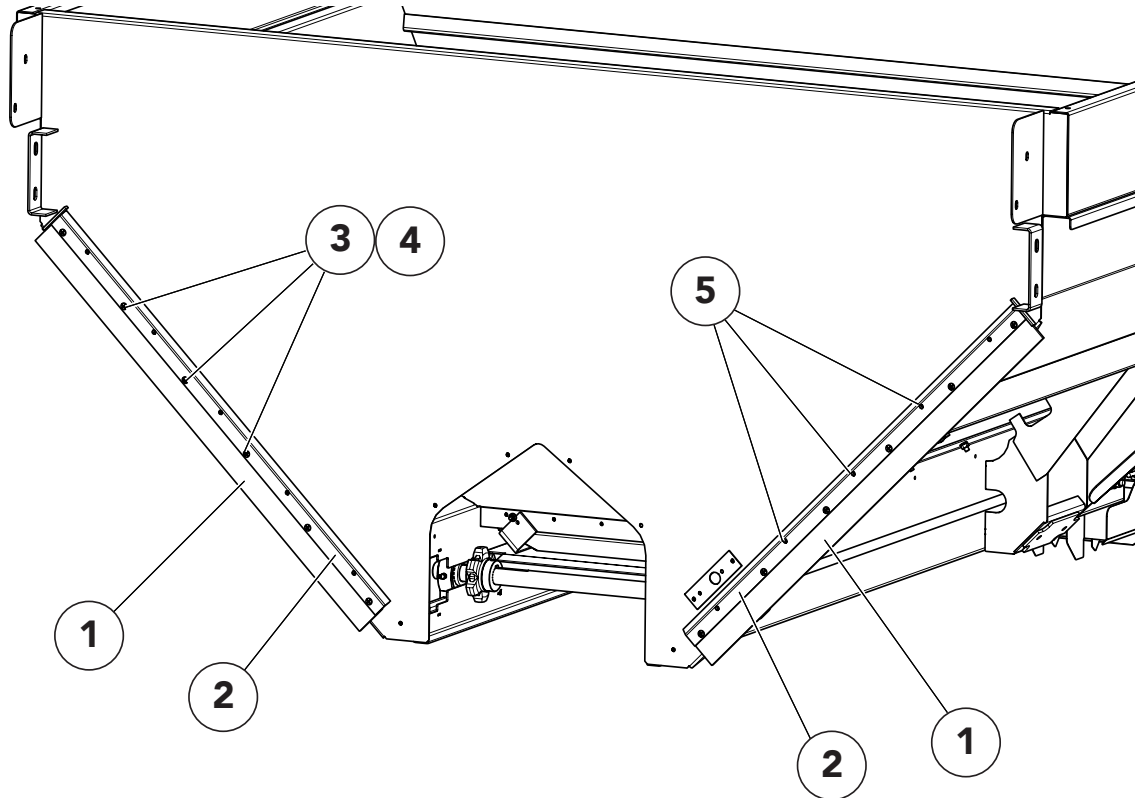
<u>ITEM</u>	<u>PART NO.</u>	<u>DESCRIPTION</u>	<u>QTY</u>
	313254	Feedgate - Assy Front, Includes Items 1 - 7	1
1	313255	Insert - Wldmt Feedgate Front 304	1
2	313262	Feedgate - Wldmt 304	1
3	312951	Cylinder - 1.5 x 4.75 w/ Sensor	1
4	313173	Pin - Clevis	2
5	36427	Pin - Cotter	2
6	313377	Sensor - Ultrasonic	1
7	313378	Cover - Sensor	1
8	36395	Cap Screw - 1/4-20NC x 1 SS	6
9	36423	Washer - Flat 1/4 SS	6
10	36418	Washer - Lock 1/4 SS	6
11	98476	Pin - Clevis	1
12	41779	Pin - Hair	1

Front Wiper



<u>ITEM</u>	<u>PART NO.</u>	<u>DESCRIPTION</u>	<u>QTY</u>
	306544	Wiper - Belt Group Front, Includes Items 1 - 4	1
1	306545	Wiper - Belt Front	1
2	306546	Retainer - Wiper 304	1
3	42033	Screw - Truss Head 1/4 x 1 SS	5
4	36412	Nut - Hex 1/4 SS	5

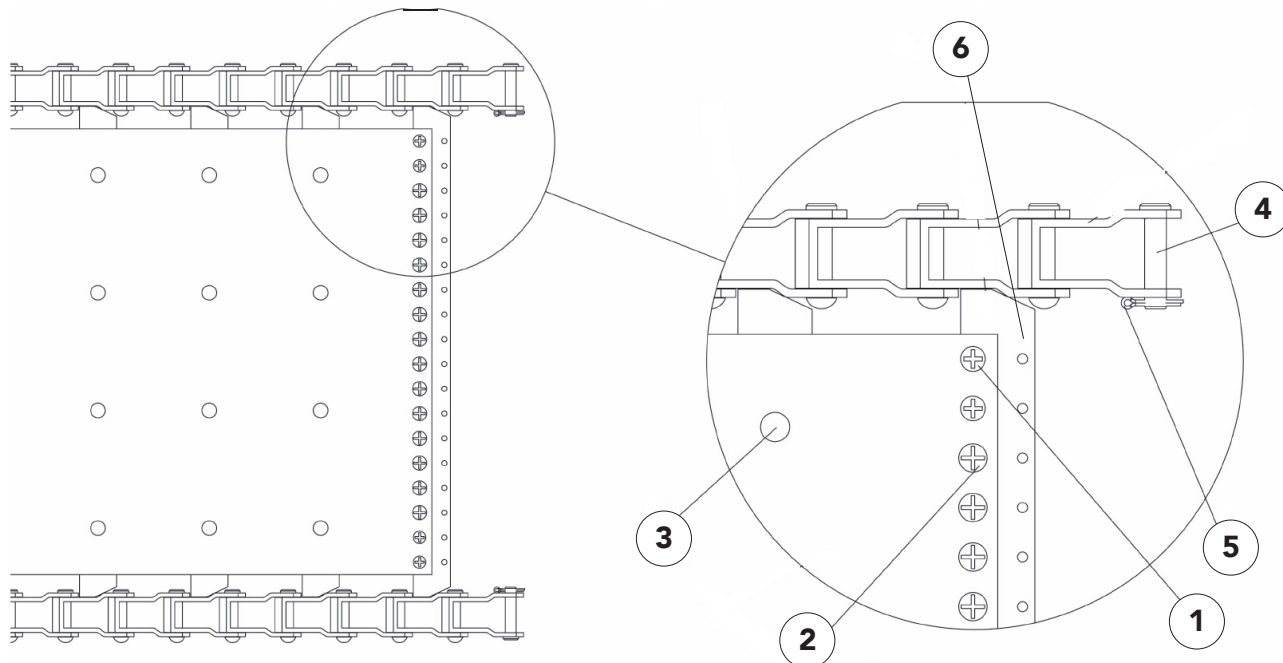
Sealers



<u>ITEM</u>	<u>PART NO.</u>	<u>DESCRIPTION</u>	<u>QTY</u>
	313408	Sealer - Group Front, Includes Items 1 - 5	1
	306637	Seal - Assy 304, Includes Items 1 - 4	2
1	306582	Seal - Belting Pre-Cut	2
2	306581	Retainer - Seal 304	2
3	56258	Screw - Truss Head 1/4-20NC x 1/2 SS	12
4	88931	Nut - Tee 1/4-20NC x 1/4	12
5	36395	Cap Screw - 1/4-20NC x 1 SS	10

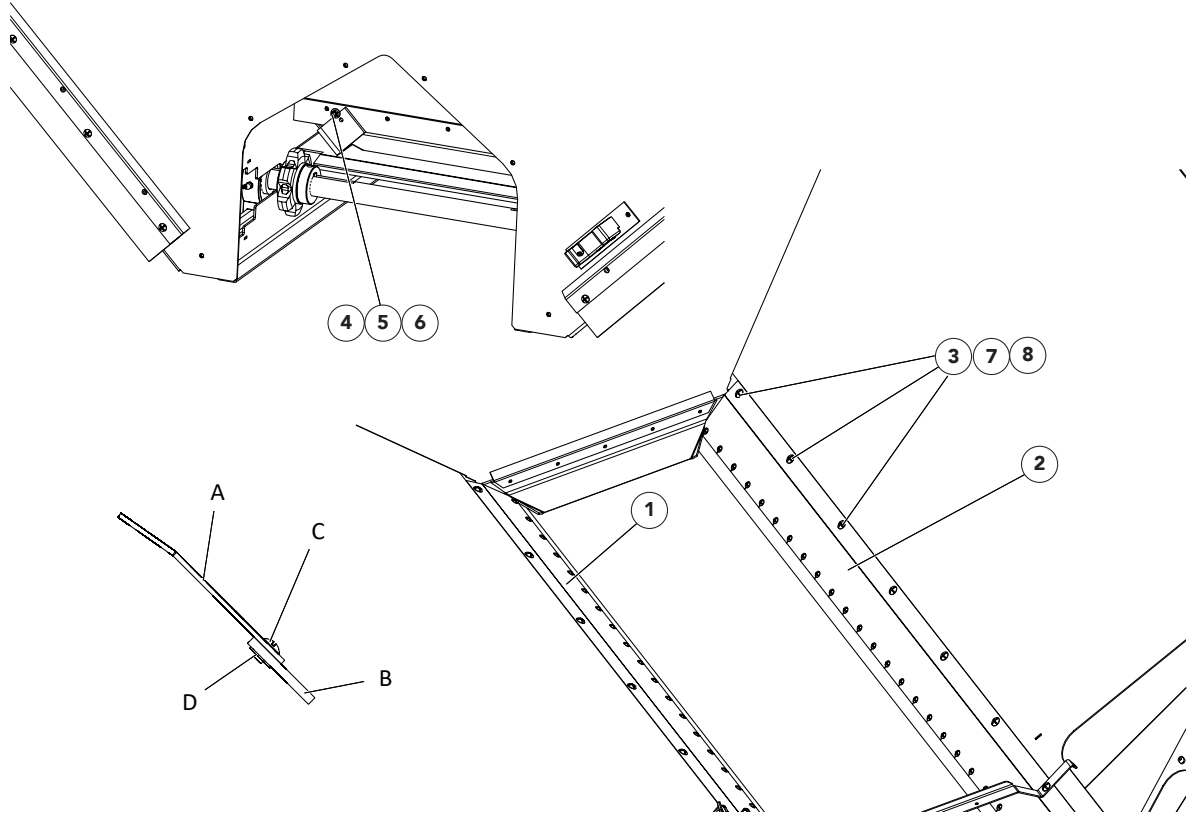
MultiBin

#4 Belt-Over-Chain Conveyor, Bin 2



ITEM	PART NO.	DESCRIPTION	QTY
	308712-AA	Chain Wldmt - 5' Unit, Includes Items 1 - 6	1
	308712-AC	Chain Wldmt - 7' Unit, Includes Items 1 - 6	1
1	20617	Screw - Flat 1/4-20NC x 1/2	8
2	20624	Screw - Truss Head 1/4-20NC x 1/2	28
3	308534	Screw - 1/4 x 1/2-20NC	AR
4	21118	Pin - Chain Pintle	2
5	20817	Pin - Cotter	2
6	70473	Bar - Splicer	1

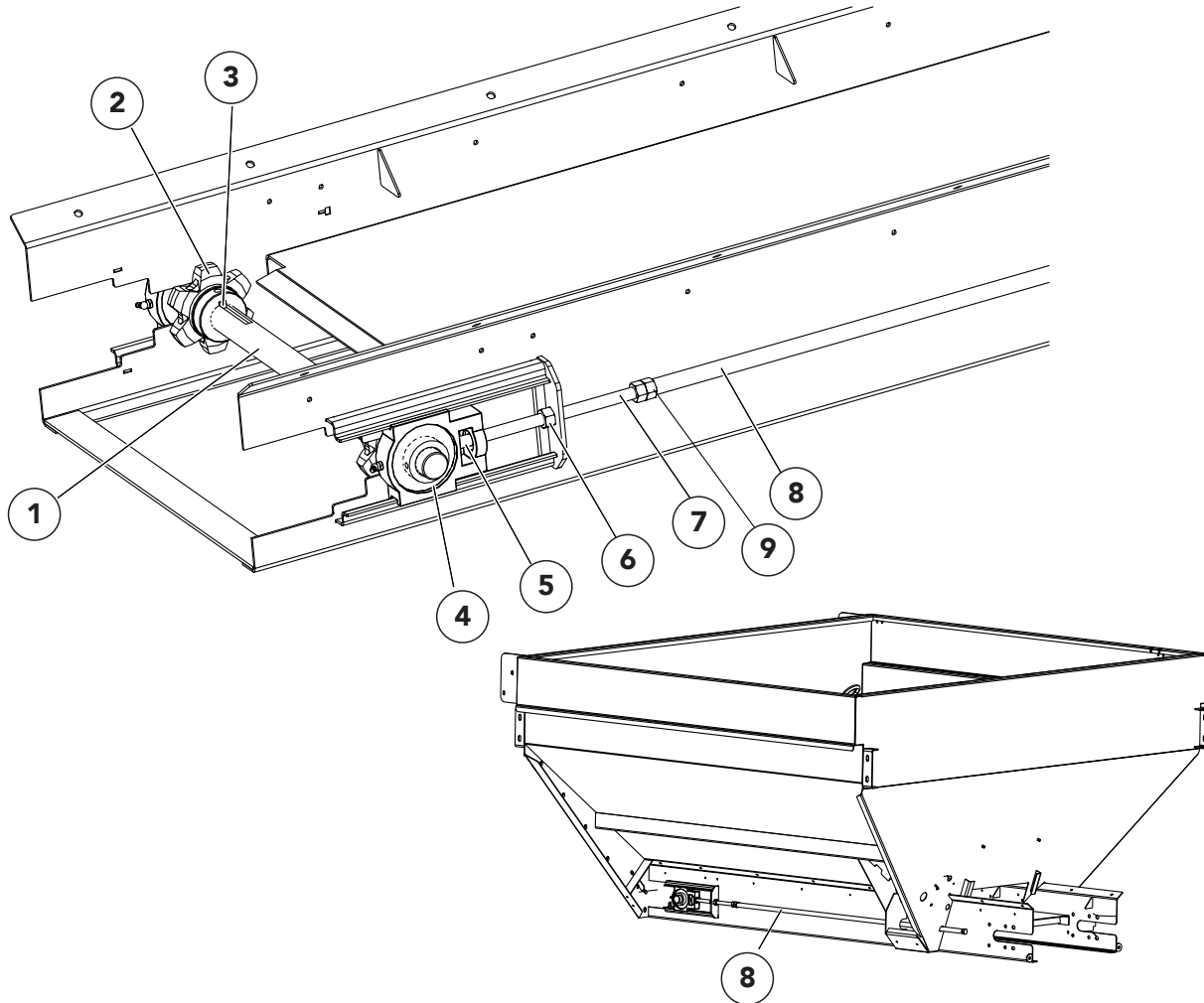
Chain Shields, Bin 2



ITEM	PART NO.	DESCRIPTION	QTY
1	306542-AA	Shield - Chain Assy LH 304	1
2	306542-AB	Shield - Chain Assy RH 304	1
A	86798	Shield - Chain	2
B	305975	Belting - Sealer	AR
C	56258	Screw - Truss Head 1/4-20NC x 1/2	54
D	88931	Nut - Tee 1/4-20NC x 1/4	54
3	71829	Screw - Machine 3/8-16NC x 1 SS	16
4	42033	Screw - Truss Head 3/8-16NC x 1 SS	2
5	36423	Screw - Truss Head 1/4-20NC x 1 SS	2
6	36412	Washer - Flat 1/4 SS	2
7	36414	Nut - Hex 3/8-16NC SS	16
8	36420	Washer - Lock 3/8 SS	16

AR - As Required

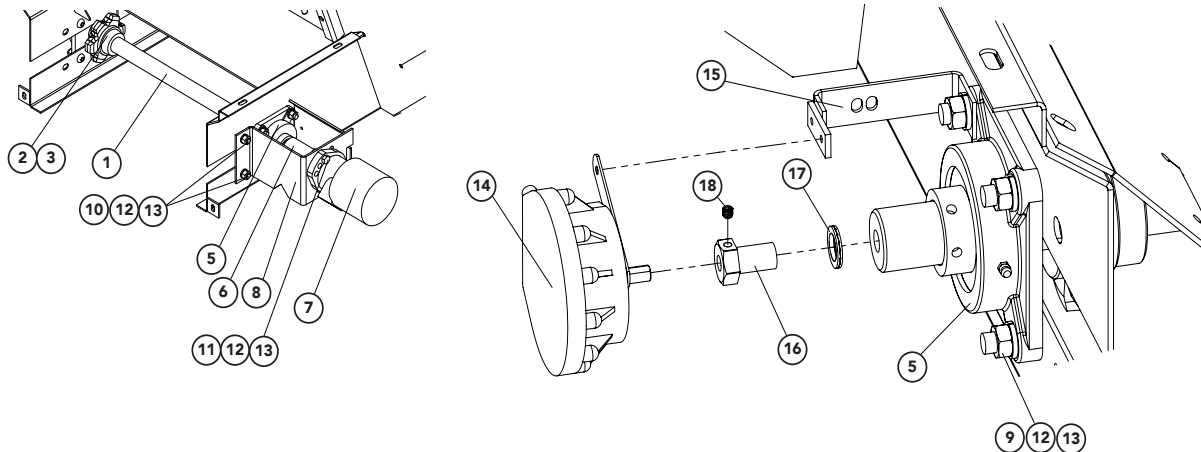
Conveyor Idler



ITEM	PART NO.	DESCRIPTION	QTY
	89780	Shaft - Idler Assy, Includes 1-5	
1	89779	Shaft - Idler	1
2	86757	Sprocket	2
	20743	Screw - Set 5/16-18NC x 3/8	4
3	6131	Key - Square	2
4	22511	Bearing	2
5	17078	Collar - Set	2
6	87856	Nut Wldmt 304	2
7	87857	Bolt Wldmt	2
8	306595	Extended Idler - Pipe Wldmt Adj 304	2

* - Not Shown

Conveyor Drive & Encoder

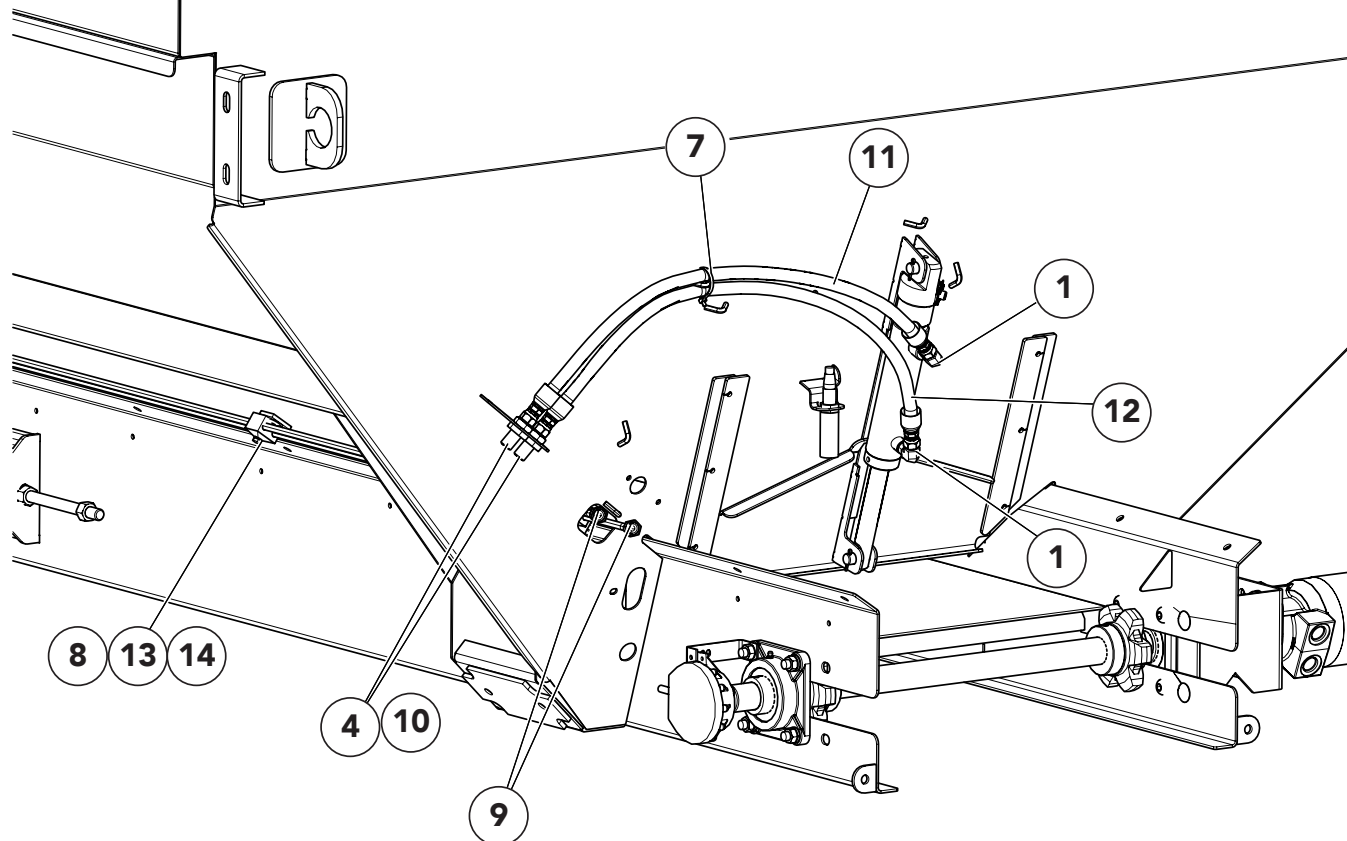


<u>ITEM</u>	<u>PART NO.</u>	<u>DESCRIPTION</u>	<u>QTY</u>
	86759-X1	Shaft - Drive Assy, Includes Items 1-5	
1	310644	Shaft - Drive	1
2	86757	Sprocket	2
3	6131	Key - Square	2
4	20743	Screw - Set	4
5	6697	Bearing	2
6	86762 *4059	Coupling - Shaft Key - Square 5/16 x 1-1/2	1 1
7	311056 *56327	Motor - Hydraulic 29.1 CID Seal Kit	1 1
8	86766	Mount - Motor	1
9	304484	Screw - Button Head 1/2-13NC x 1-1/2 SS	8
10	72056	Bolt - Carriage 1/2-13NC x 1 SS	2
11	36539	Cap Screw - 1/2-13NC x 1-1/2 SS	2
12	36422	Washer - Lock 1/2 SS	12
13	36416	Nut - Hex 1/2-13NC SS	12
14	303994	Encoder - Conveyor 180	1
15	304953-X1	Bracket - Encoder	1
16	310601	Coupler - Rate Sensor	1
17	310602	Washer - Special Lock	1
18	310603	Screw - Set 1/4-20NC x 5/16 SS	1

* - Not Shown

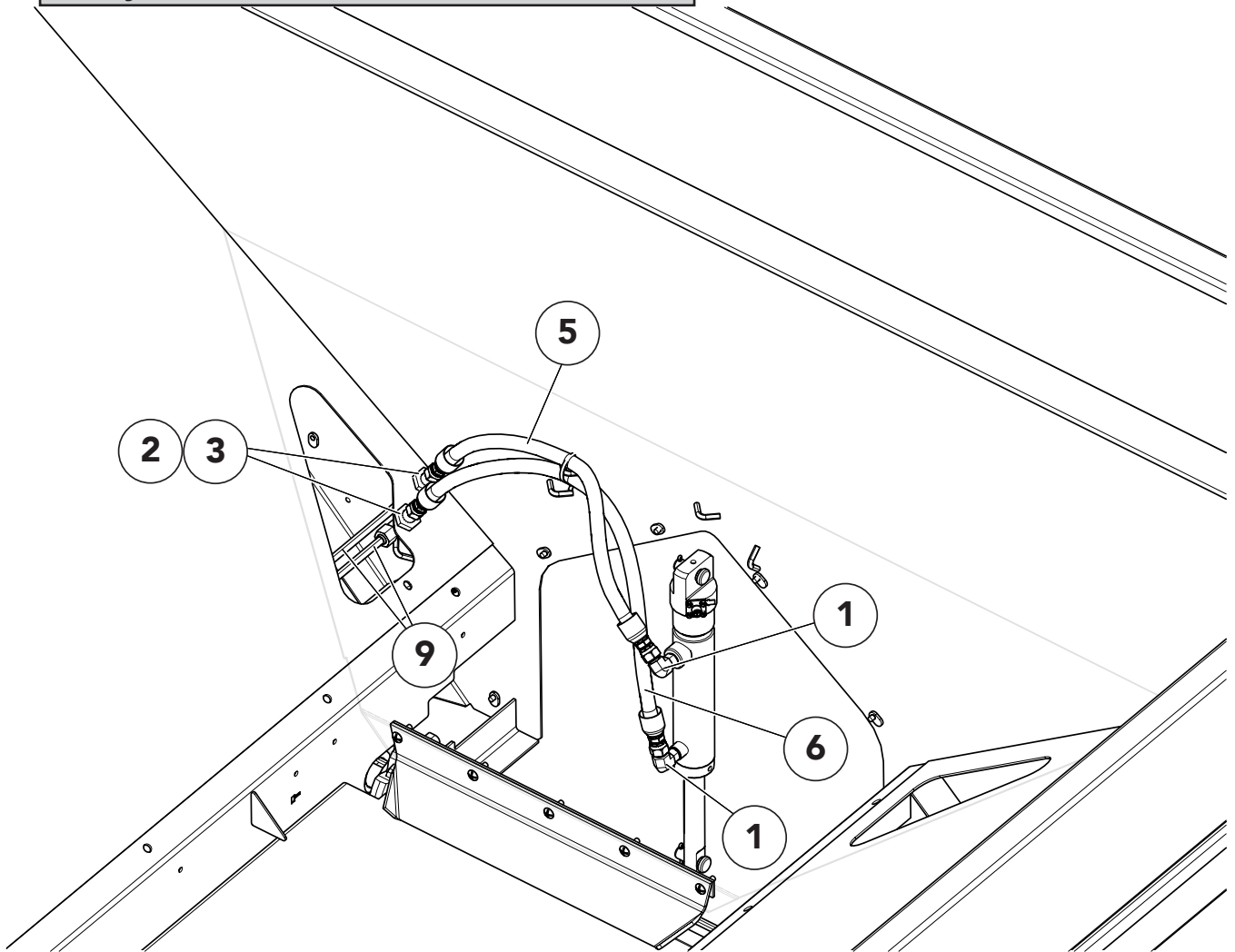
MultiBin

Hydraulics



ITEM	PART NO.	DESCRIPTION	QTY
1	313465	Fitting - 6-4 520220	4
2	313468	Fitting - 6-6 520701	2
3	313467	Fitting - 6 520118	2
4	313485	Fitting - 6 520118 304	2
5	313549	Hose - Assy SAE 6 x 23 100R1	1

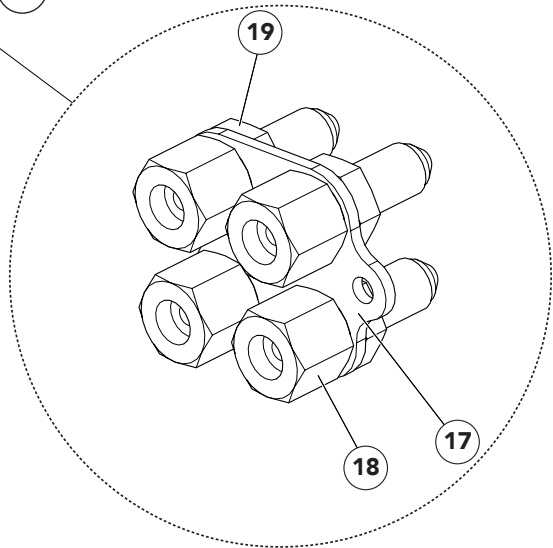
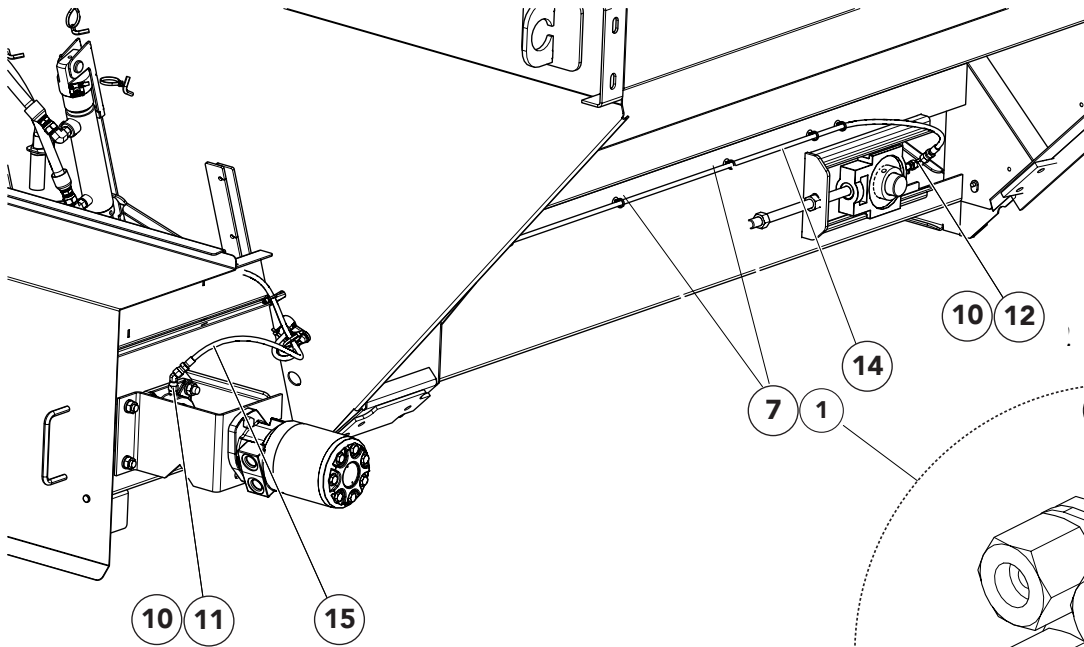
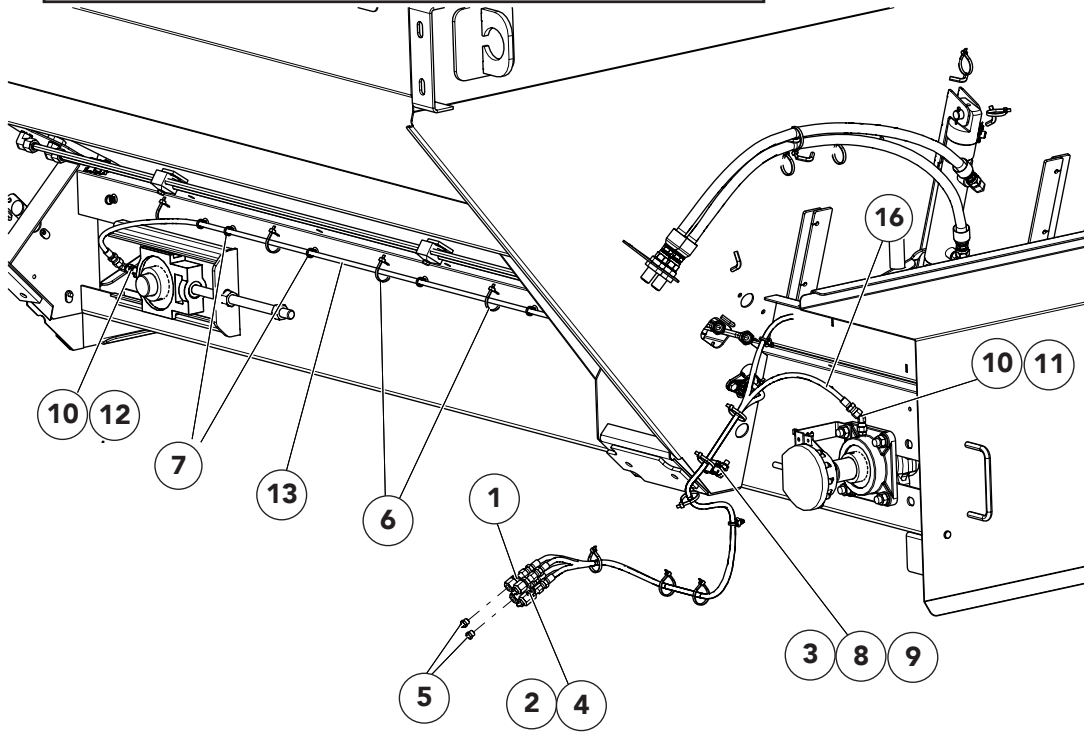
Hydraulics



ITEM	PART NO.	DESCRIPTION	QTY
6	313550	Hose - Assy SAE 6 x 24-1/2 100R1	1
7	99674	Tie - Wire	2
8	313385	Clamp - Tubing Twin 3/8	3
9	314428	Tube - Assy 3/8 SS 5' MultApplier	2
	313337	Tube - Assy 3/8 SS 7' MultApplier	2
10	313486	Fitting - 6-6 520601 304	2
11	313543	Hose - Assy SAE 6 x 30 100R1	1
12	313544	Hose - Assy SAE 6 x 32-1/2 100R1	1
13	36418	Washer - Lock 1/4	3
14	40750	Cap Screw - 1/4-20NC x 1-1/4 SS	3

MultiBin

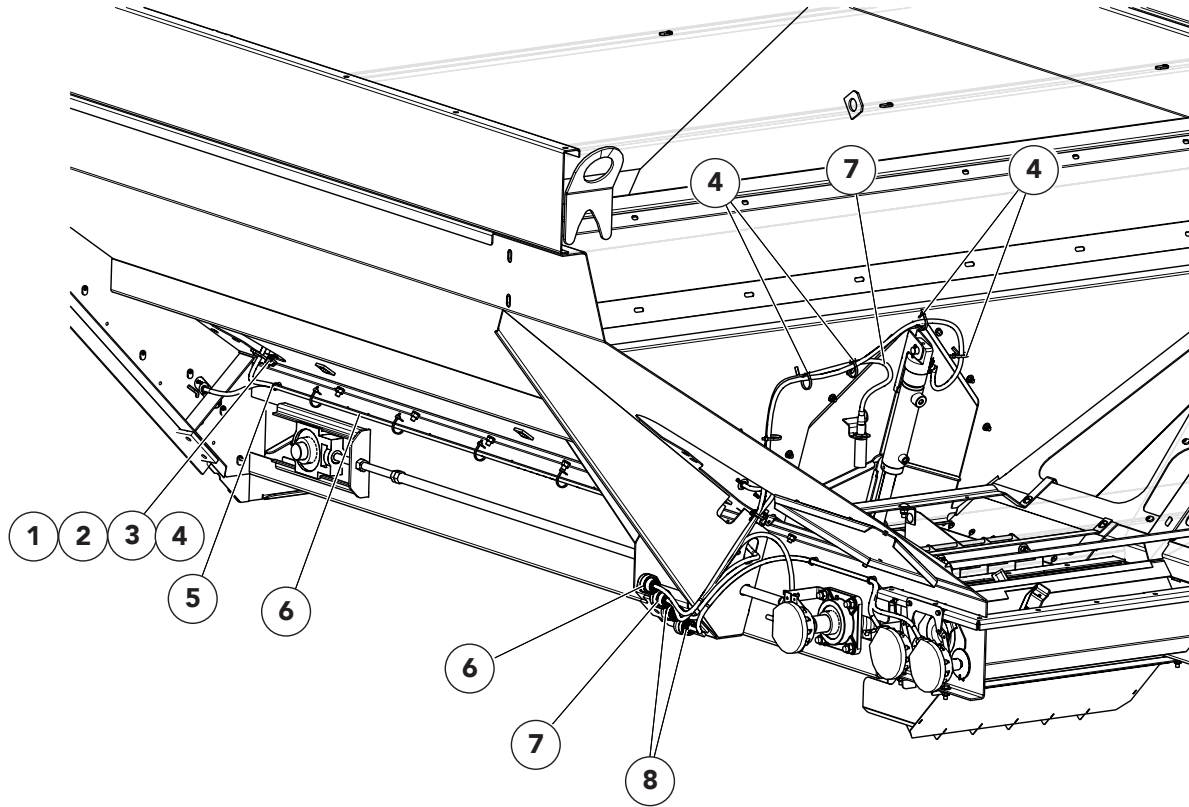
Lubrication



Lubrication

<u>ITEM</u>	<u>PART NO.</u>	<u>DESCRIPTION</u>	<u>QTY</u>
1	313915	Lube Bank - Assy 4 Position, Includes Items 17 - 19	1
2	44454	Screw - Socket Head @10-24NC x 1 SS	2
3	42221	Nut - Lock 5/16-18NC SS	3
4	56355	Nut - Lock #10-24NC SS	2
5	313917	Zerk - Grease 1/8-27 NPT SS	4
6	99674	Tie - Wire	9
7	311806	Tie - Wire Fir Tree	19
8	312964	Clip - Harness Mounting	3
9	34580	Cap Screw - 5/16-18NC x 1 SS	3
10	34787	Fitting - 4-2 070102	4
11	313501	Fitting - 4-4 070321	2
12	34868	Fitting - 4-4 070221	2
13	314430 313667	Hose - Assy LH Idler Bearing 5' MultApplier Hose - Assy LH Idler Bearing 7' MultApplier	1 1
14	314431 313668	Hose - Assy RH Idler Bearing 5' MultApplier Hose - Assy RH Idler Bearing 7' MultApplier	1 1
15	313669	Hose - Assy LH Drive Bearing	1
16	313670	Hose - Assy RH Drive Bearing	1
17	313912	Plate - Lube Bank 4 Position	1
18	313916	Fitting - 4-2 Non-Standard Bulkhead	4
19	311489	Fitting - 4 070118 Nut	4

Electrical

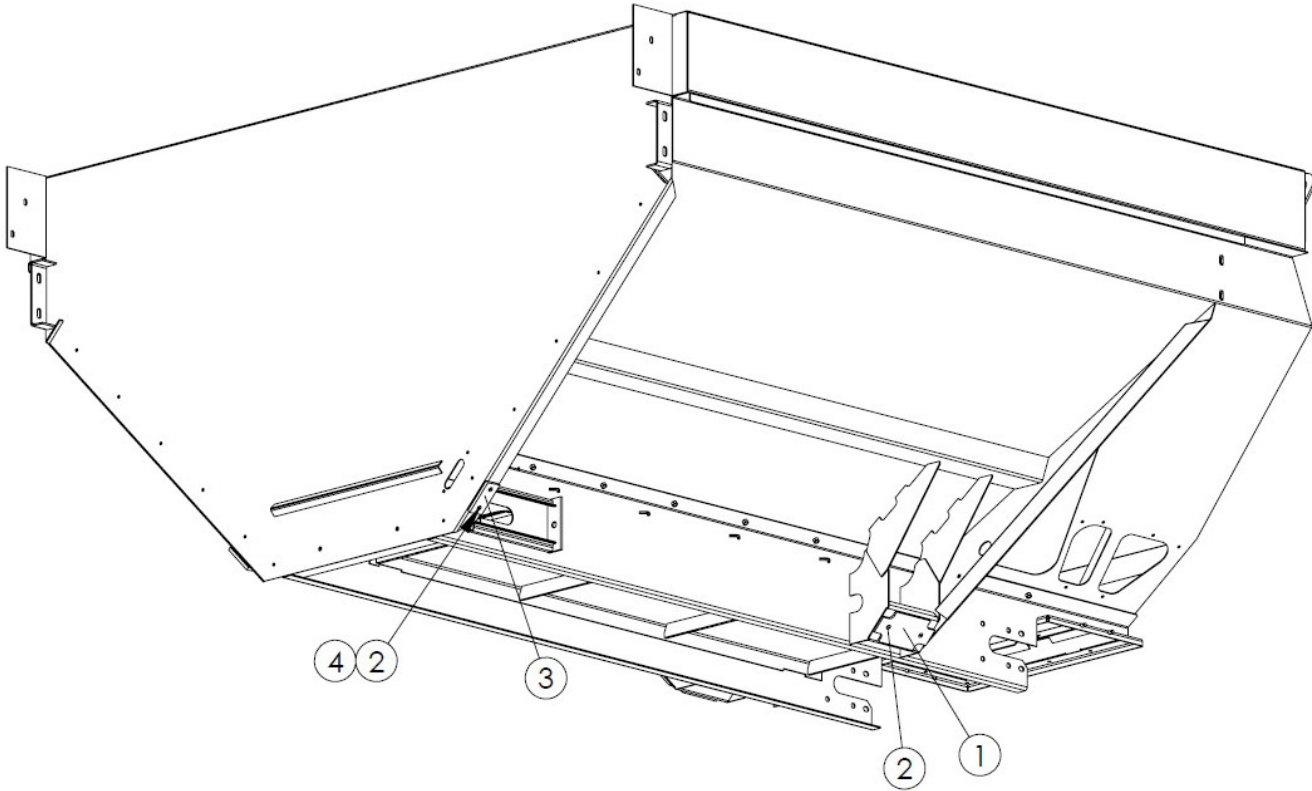


NOTE: MICRO BIN PANELS GHOSTED FOR CLARITY.

ITEM	PART NO.	DESCRIPTION	QTY	
			3 Bin	4 Bin
1	312964	Clip - Harness Mounting	2	2
2	34580	Cap Screw - 5/16-18NC x 1 SS	2	2
3	42221	Nut - Lock 5/16-18NC SS	2	2
4	99674	Tie - Wire	18	18
5	311806	Tie - Wire Fir Tree	4	4
6	313998	Harness - Bin 1 Insert Control	1	1
7	313999	Harness - Bin 2 Insert Control	1	1
8	316666	Harness - Bin 3/4 Insert Cntrl	1	2

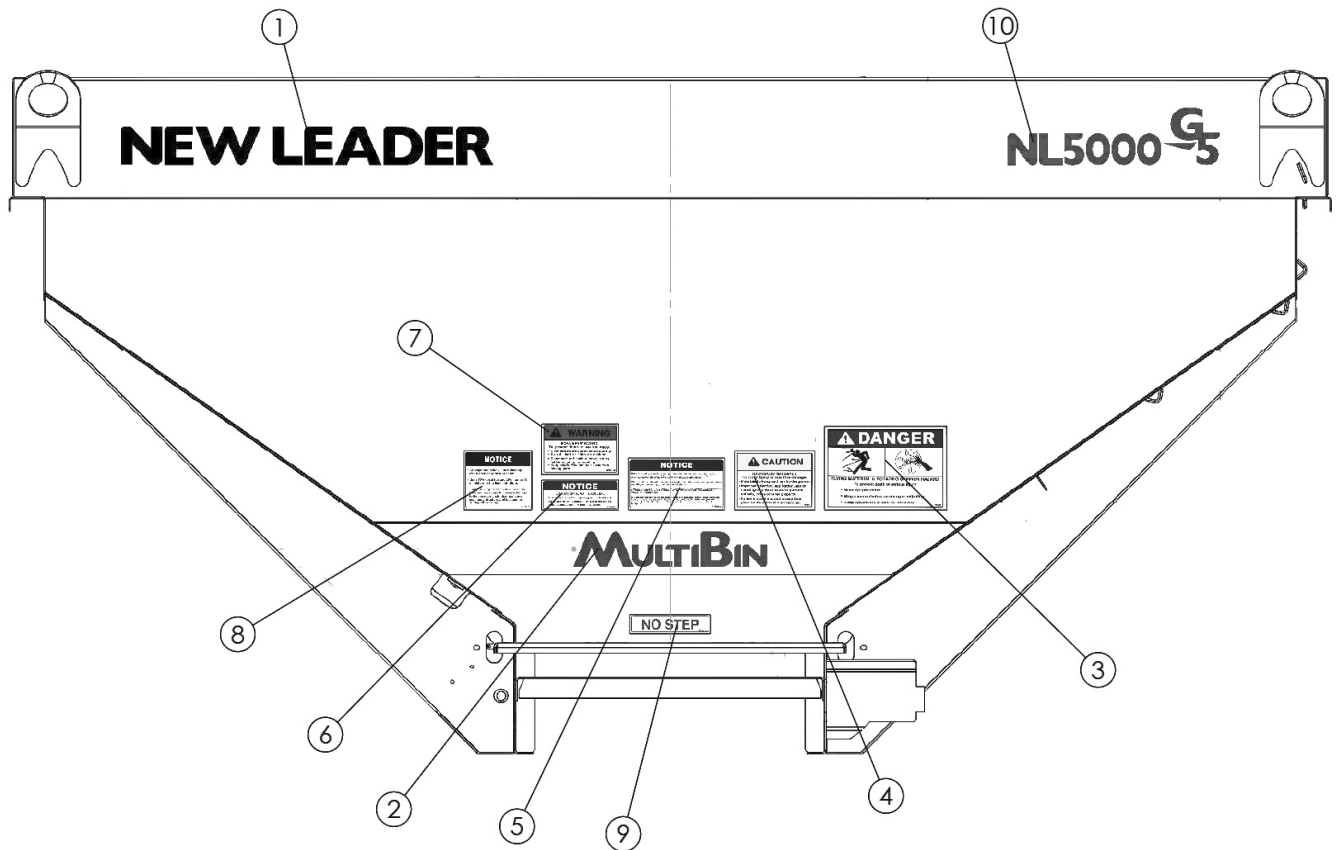
This page is intentionally left blank.

Pads



<u>ITEM</u>	<u>PART NO.</u>	<u>DESCRIPTION</u>	<u>QTY</u>
1	306924	Mount - Foot Pad	2
2	47268	Screw - Flathead 1/4-20 x 1 SS	8
3	307097	Mount - Pad	2
4	42034	Nut - Lock 1/4-20 SS	4

Decals

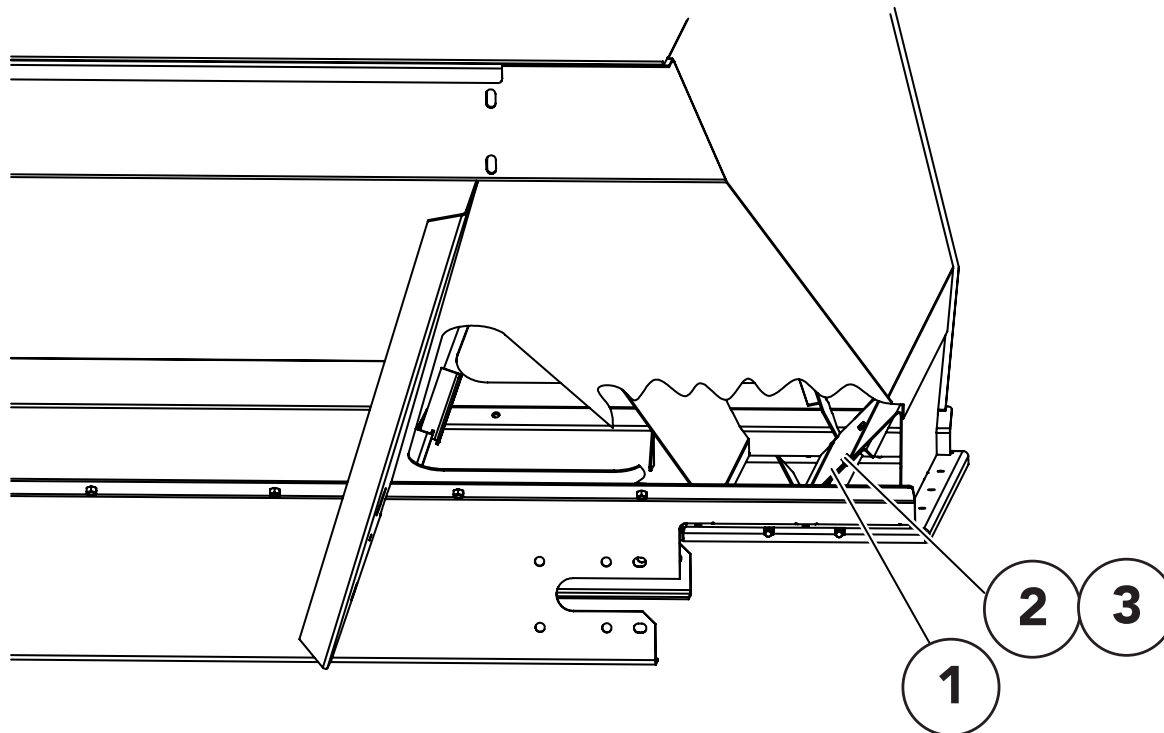


Note: See "Safety Decals" in Safety section for details.

ITEM	PART NO.	DESCRIPTION	QTY
1	312561	Decal - New Leader, Black	1
2	312971	Decal - MultiBin, Black	1
3	368	Decal - Danger, Flying Material Hazard	1
4	321	Decal - Caution, Hazardous Materials	1
5	312276	Decal - Notice, Spread Pattern	1
6	304206	Decal - Caution, Do Not Spread Herbicide	1
7	55631	Decal - Warning, Moving Part Hazard	1
8	21476	Decal - Notice, Chain Lubrication	1
9	39017	Decal - No Step	1
10	316502	Decal - NL5000 Black	1

MultiBin

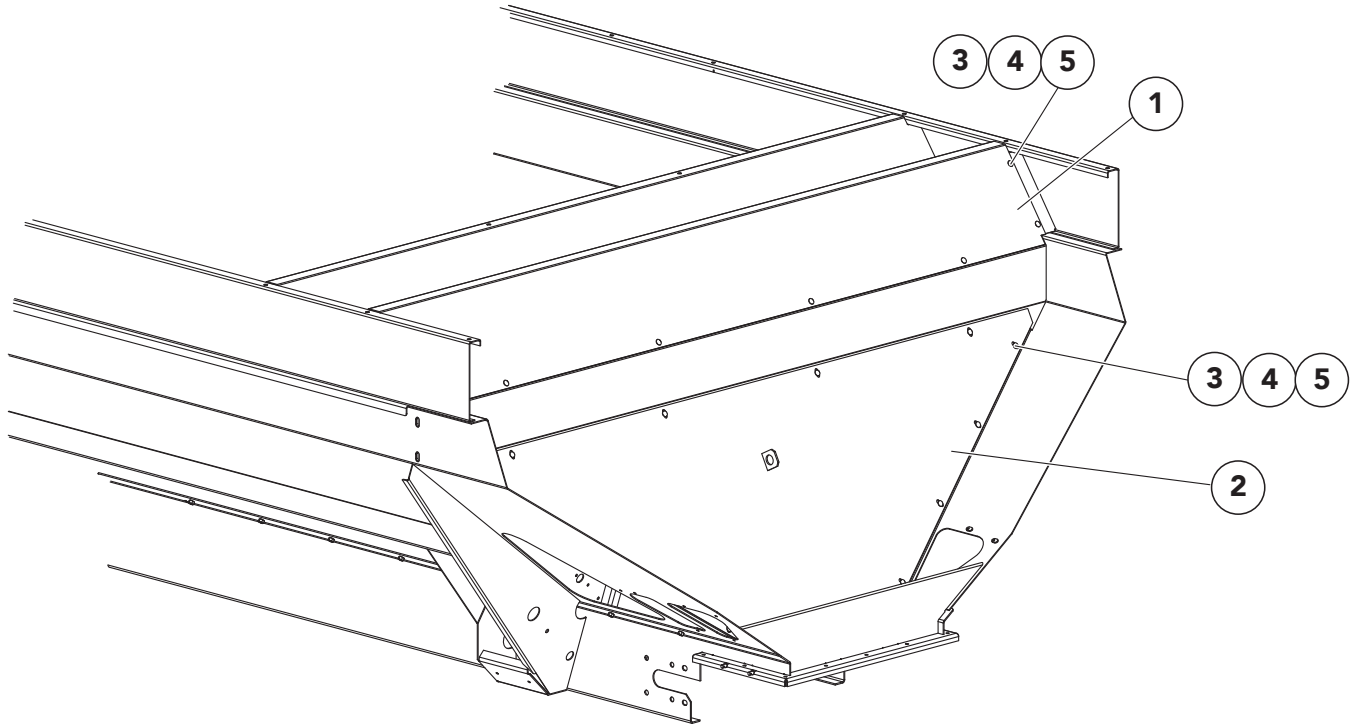
Panel Group - Single Micro



* - Parts removed for clarity.

ITEM	PART NO.	DESCRIPTION	QTY
1	306532	Panel - Wldmt Rear 304	1
2	36393	Cap Screw - 1/4-20 x 3/4 SS	3
3	36418	Washer - Lock	3

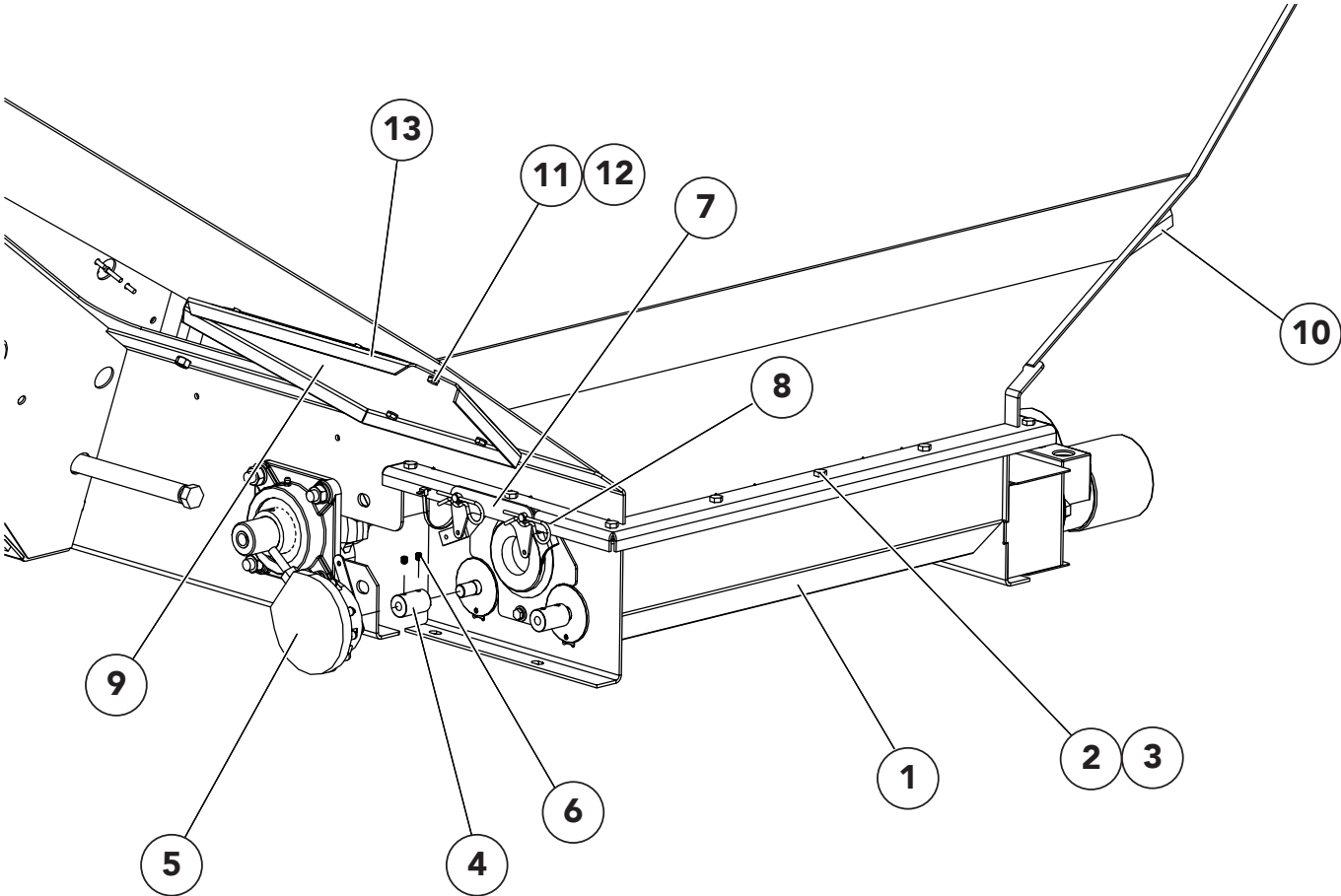
Divider Panel - Dual Micro



* - Rear Endgate removed for clarity.

<u>ITEM</u>	<u>PART NO.</u>	<u>DESCRIPTION</u>	<u>QTY</u>
1	306528	Panel - Insert Upper 304	1
2	306529	Panel - Wldmt Lower 304	1
3	42639	Bolt - Carriage 5/16 x 1 SS	26
4	36424	Washer - Flat 5/16	26
5	42221	Nut - Lock 5/16 SS	26

Micro Group



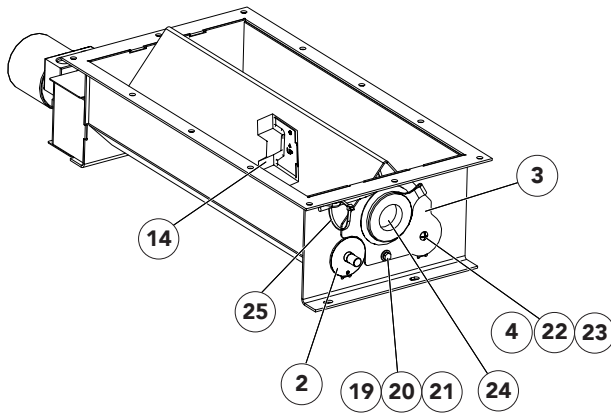
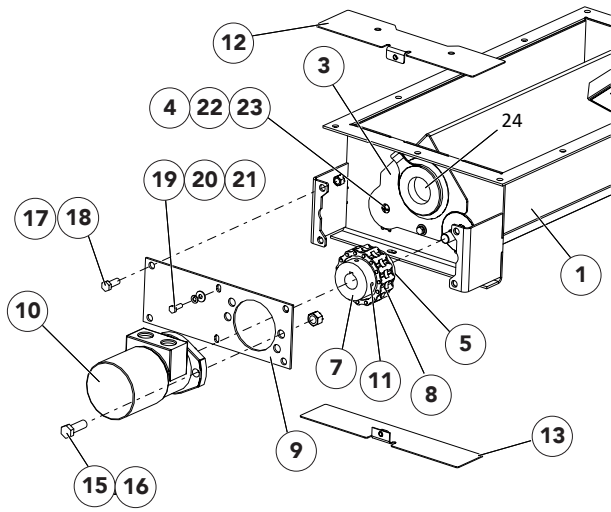
Micro Group Cont.

ITEM	PART NO.	DESCRIPTION	QTY	
			3 Bin	4 Bin
1	312254	Micro - Assy Single	1	--
	312255	Micro - Assy Dual	--	1
2	56858	Cap Screw - 5/16 x 3/4	12	12
3	42221	Nut - Lock 5/16 SS	12	12
4	304170	Coupling - Encoder 5/8 Shaft	1	2
5	303994-AA	Encoder	1	2
	303994-AB	Mount - Kit	1	2
6	310603	Screw - Set 1/4-20NC x 5/16 SS	2	4
7	312963	Bracket - Torque Arm	1	1
8	36429	Pin - Hair	2	2
9	306706-AA	Cover - MultiBin Access LH 304	1	1
10	306706-AB	Cover - MultiBin Access RH 304	1	1
11	36418	Washer - Lock 1/4 SS	12	12
12	36393	Cap Screw - 1/4 x 3/4 SS	12	12
13	306819	Seal - Rubber	AR	AR

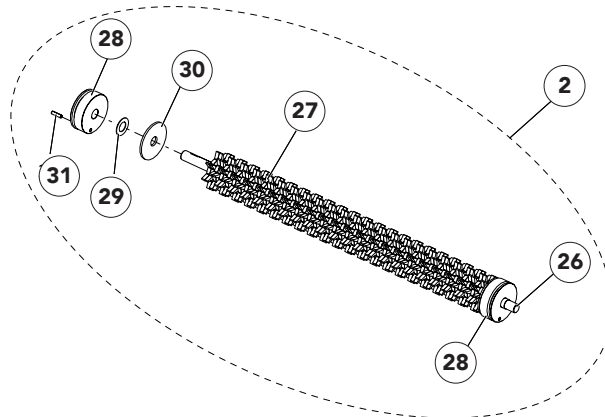
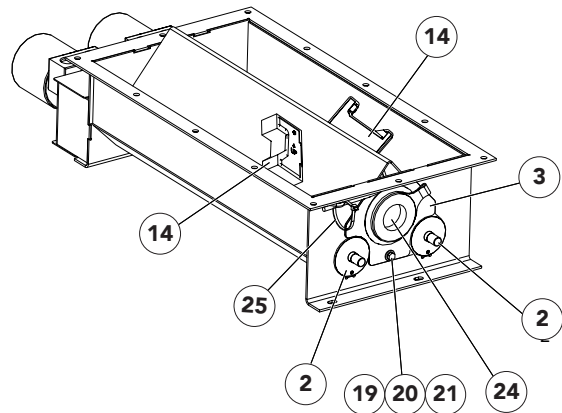
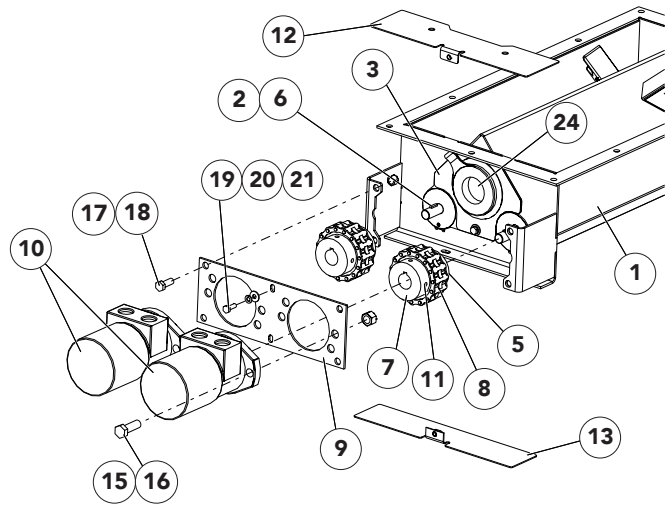
AR - As Required

Micro Assembly

3 BIN



4 BIN



Micro Assembly Cont.

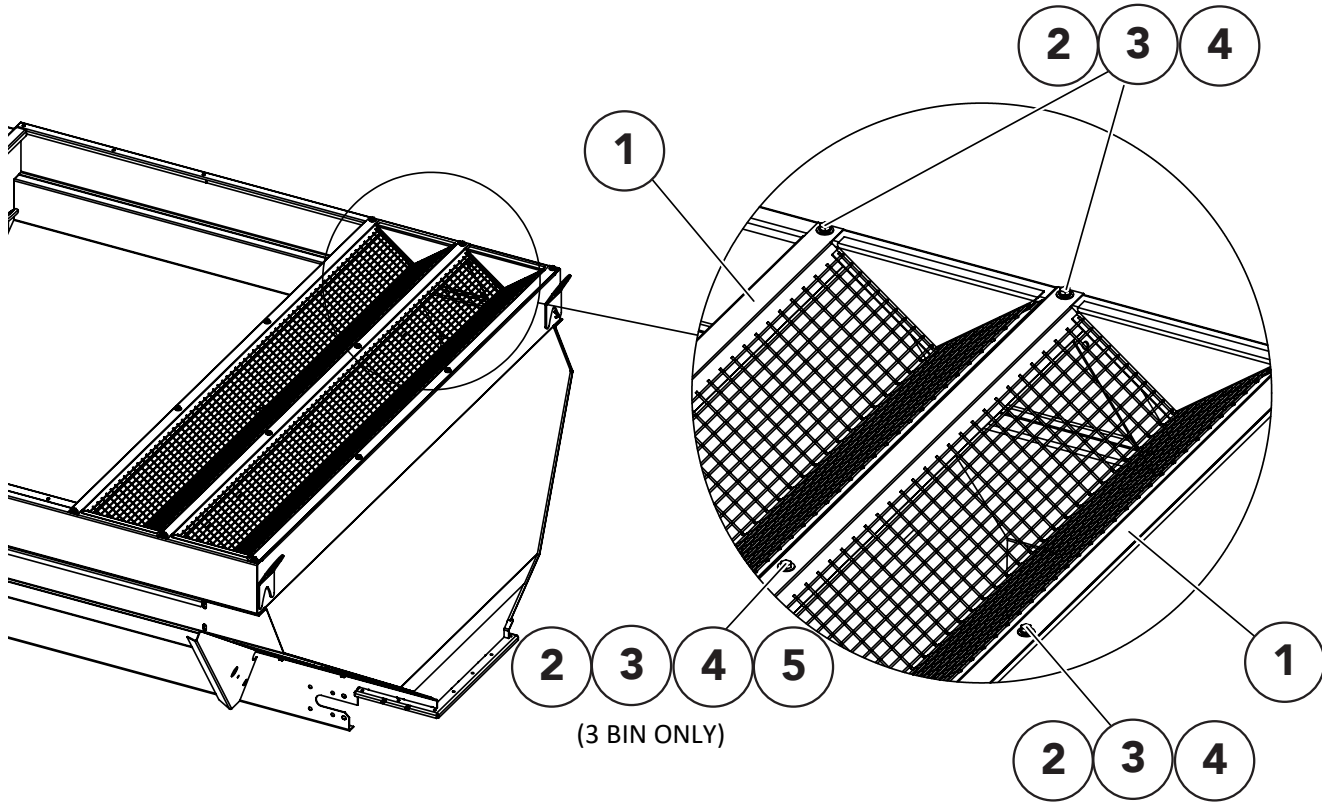
ITEM	PART NO.	DESCRIPTION	QTY	
			3 Bin	4 Bin
	312254	Micro - Assy Bottom Single 304, Includes Items 1 - 32	1	--
	312255	Micro - Assy Bottom Dual 304 Includes 1 - 3, 5 - 21, 24 - 32	--	1
1	306534	Micro - Wldmt Bottom 304	1	1
2	312253	Wheel - Assy Meter Wheel 304, Includes Items 27 - 32	1	2
3	306555	Retainer - Cover Single 304	1	--
	306556	Retainer - Cover Dual 304	--	1
4	306557	Guide Retainer 304	1	--
5	39685	Coupling - Chain, Half	1	2
6	34562	Key - Woodruff 5/32 x 5/8	1	2
7	11409	Coupling - Chain, Half	1	2
8	306865	Chain - Assembly 304	1	2
9	306547	Mount - Motor Single 304	1	--
	306548	Mount - Motor Dual 304	--	1
10	304129	Motor - Hydraulic 11.9 CID	1	2
	313015	Seal Kit	1	2
11	20737	Screw - Set 1/4 x 1/2	4	8
12	306549	Guard - Wldmt Upper 304	1	1
13	306551	Guard - Wldmt Lower 304	1	1
14	98787-AB	Sensor - Bin Level 18" Lead	1	2
15	36539	Cap Screw - 1/2-13NC x 1-1/2	2	4
16	39016	Nut - Lock 1/2-13NC SS	2	4
17	36398	Cap Screw - 3/8-16NC x 1 SS	4	4
18	72054	Nut - Lock 3/8-16NC SS	4	4
19	36393	Cap Screw - 1/4-20NC x 3/4 SS	4	4
20	36423	Washer - Flat 1/4 SS	4	4
21	36418	Washer - Lock 3/8	4	4
22	32446	Screw - Truss Head 1/4-20NC x 3/4	2	--
23	42034	Nut - Lock 1/4-20NC SS	2	--
24	306807	Plug - Inspection	2	2
25	99674	Tie - Wire	2	2
26	304130	Shaft - Meter Wheel	1	2

Micro Assembly Cont.

<u>ITEM</u>	<u>PART NO.</u>	<u>DESCRIPTION</u>	<u>QTY</u>	
			<u>3 Bin</u>	<u>4 Bin</u>
27	312252	Wheel - Meter Section 304	88	176
28	304125	Hub - Bearing	2	4
29	304133	Washer	2	4
30	96066	Washer - Rubber	2	4
31	56313	Pin - Roll	2	4

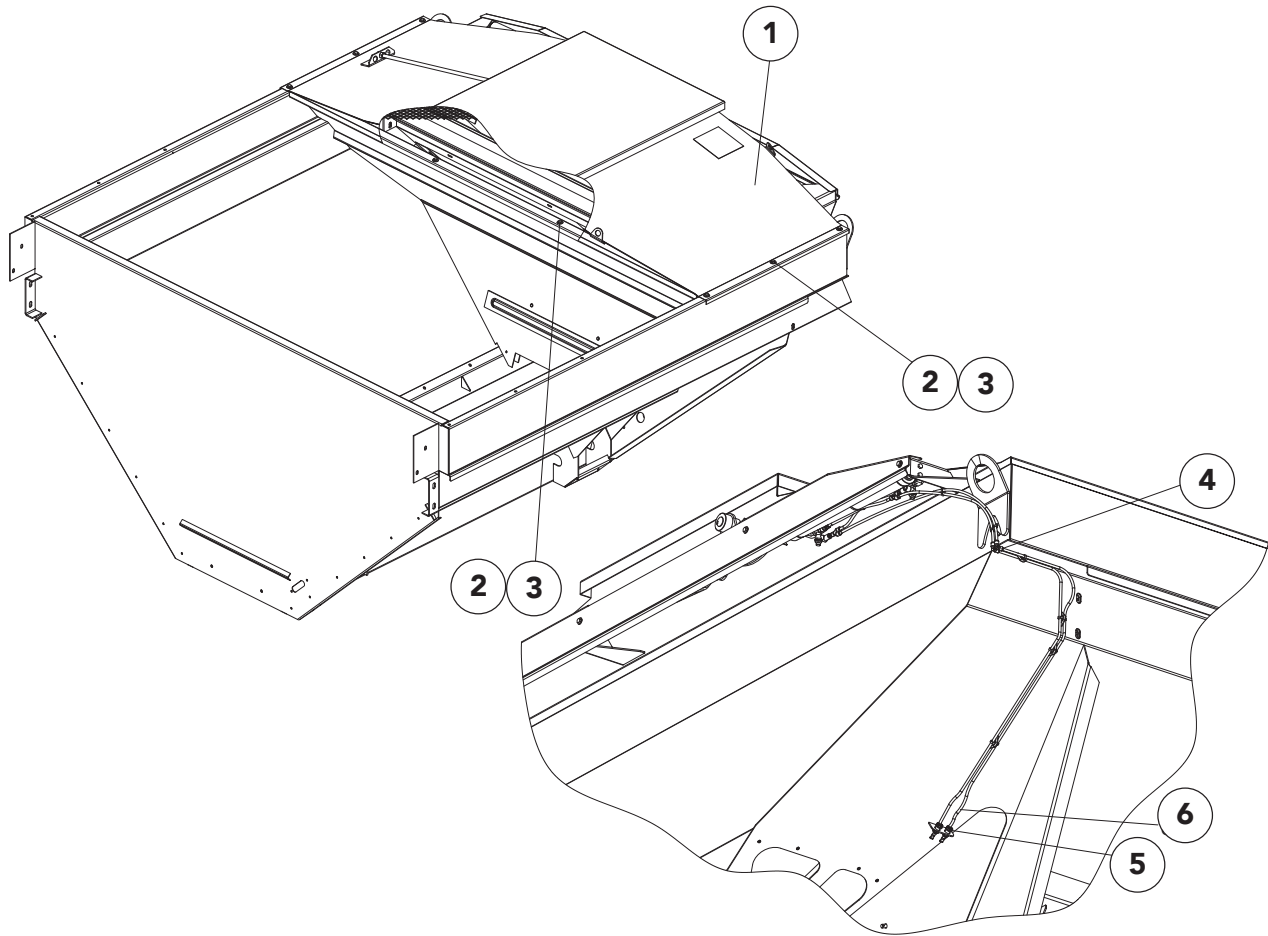
This page is intentionally left blank.

Micro Screens



ITEM	PART NO.	DESCRIPTION	QTY	
			3 Bin	4 Bin
1	306931	Screen - Wldmt 304	2	2
2	36293	Cap Screw - 3/8-16NC x 3/4 SS	12	10
3	36425	Washer - Flat 3/8 SS	14	10
4	36420	Washer - Lock 3/8 SS	12	10
5	36414	Nut - Hex 3/8-16NC SS	2	--

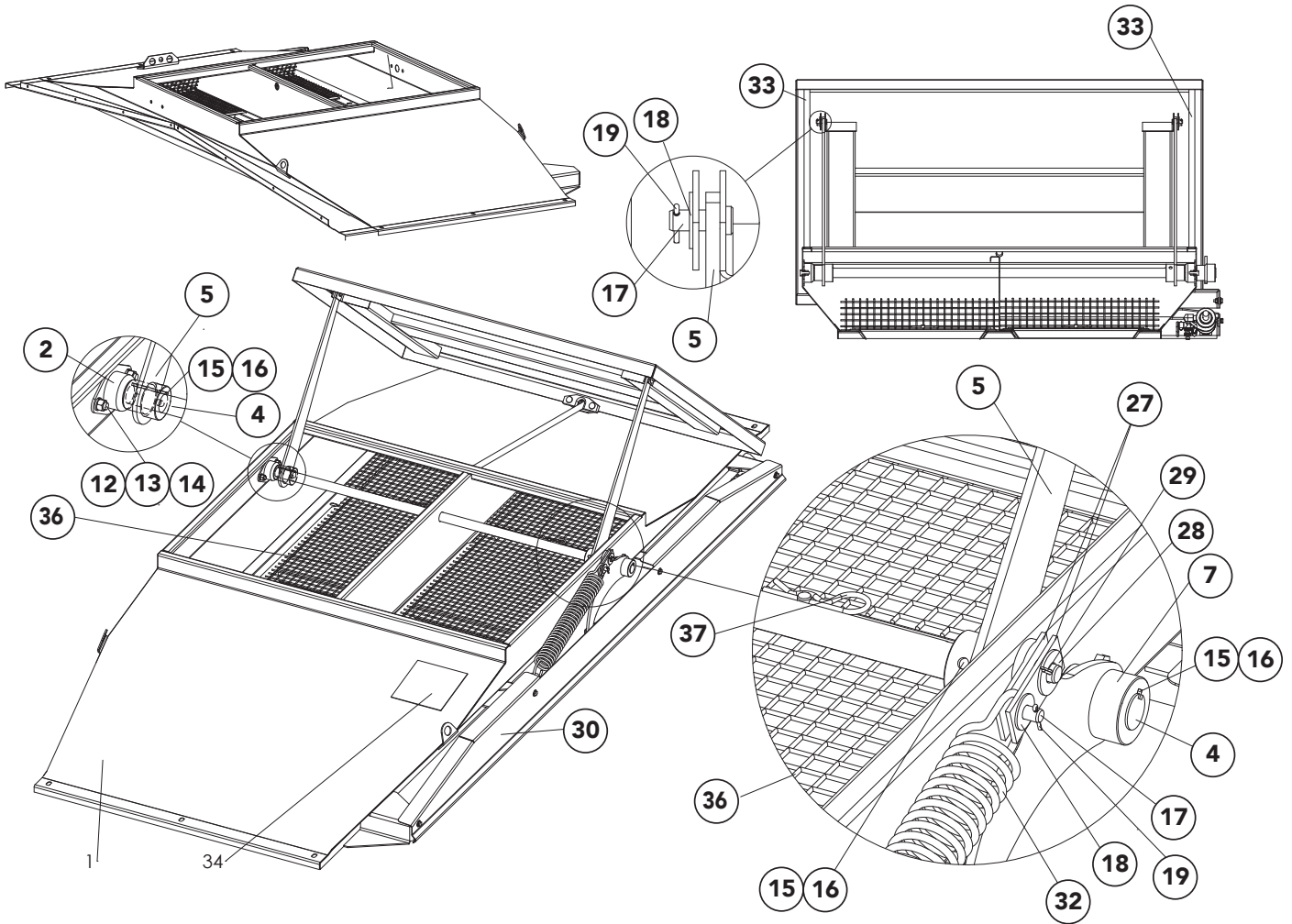
Micro Cover Group



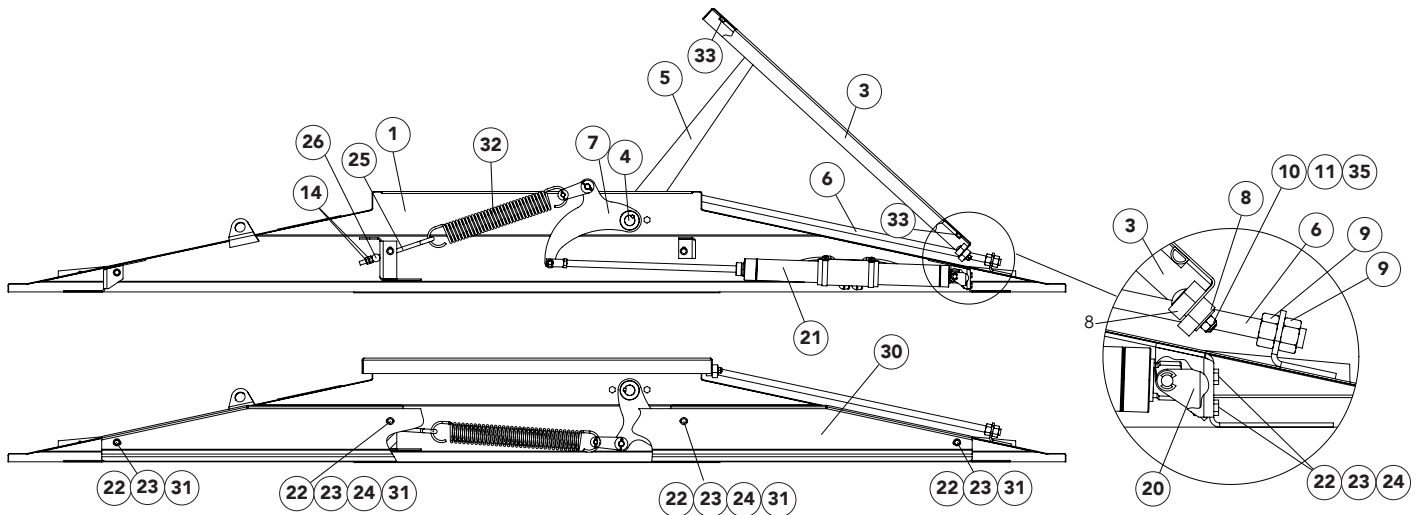
ITEM	PART NO.	DESCRIPTION	QTY
1	306629	Cover - Assy MultiBin 304	1
2	36398	Cap Screw - 3/8 x 1 SS	10
3	36425	Washer - Flat 3/8 SS	10
4	306833	Fitting	2
5	306829	Fitting	2
6	9005-0-7761	Tubing - 1/4 OD Airbrake Lock	ft. 11

MultiBin

Micro Cover Assembly



Micro Cover Assembly Cont.

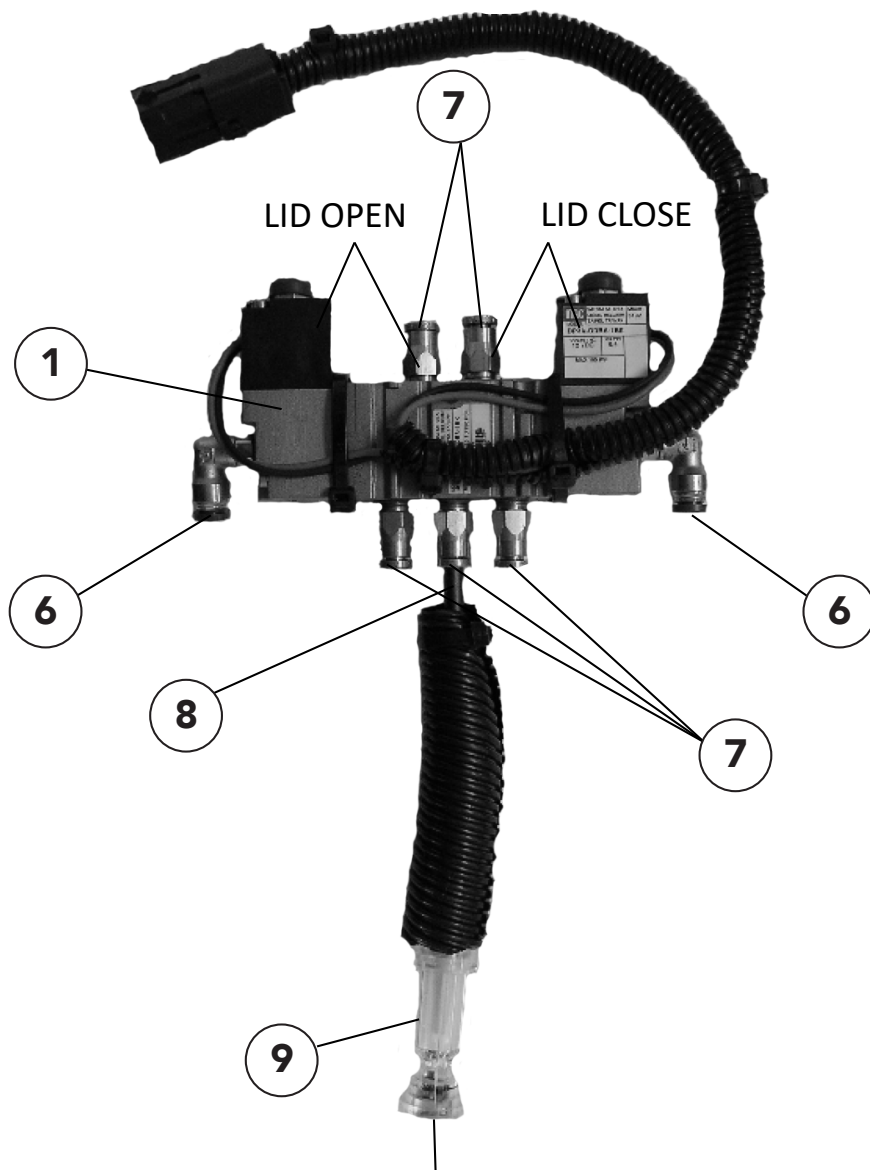
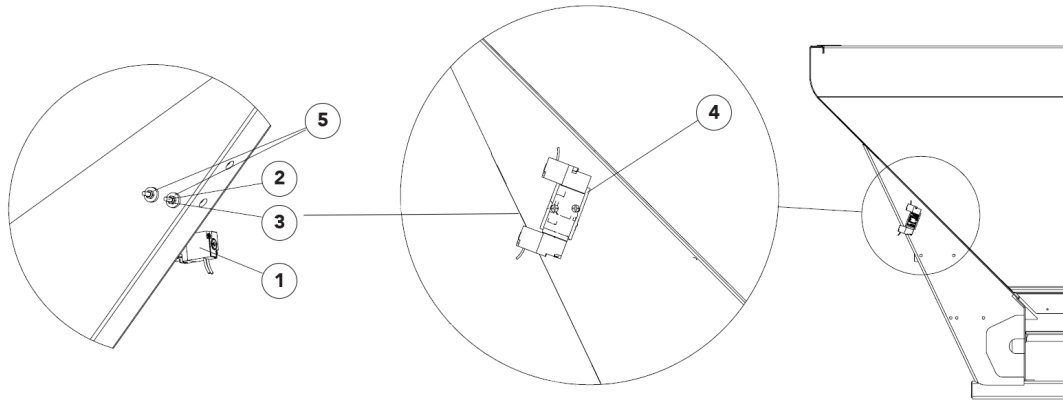


ITEM	PART NO.	DESCRIPTION	QTY
	306629	Cover - Assy	
1	306586	Cover - Wldmt	1
2	306711	Bearing - Flange 1"	2
3	306597	Lid - Wldmt 304	1
4	306710	Shaft - Pivot 304	1
5	306709	Link - Wldmt 304	2
6	306607	Rod - Guide 304	1
7	306697	Pivot - Wldmt 304	1
8	306809	Block - Guide	2
9	36417	Nut - Hex 5/8 SS	2
10	42221	Nut - Lock 5/16 SS	2
11	36424	Washer - Flat 5/16	2
12	36293	Cap Screw - 3/8 x 3/4 SS	4
13	36420	Washer - Lock 3/8 SS	4

Micro Cover Assembly Cont.

ITEM	PART NO.	DESCRIPTION	QTY
14	36414	Nut - Hex 3/8 SS	5
15	2212	Key - Square 1/4 x 1-1/2	3
16	20742	Screw - Set 5/16 x 5/16	6
17	306816	Pin - Clevis	3
18	36425	Washer - Flat 3/8 SS	3
19	306817	Pin - Cotter	3
20	306811	Clevis - Base Cylinder SS	1
21	311034	Cylinder - Assy	1
22	36393	Cap Screw - 1/4 x 3/4 SS	6
23	36418	Washer - Lock 1/4 SS	6
24	36412	Nut - Hex 1/4 SS	4
25	306814	Eyebolt - Wire 3/8 x 6 SS	1
26	306618	Pivot - 304	1
27	311040	Plate - Clevis Spring 304	2
28	36426	Washer - Flat 1/2 SS	1
29	36427	Pin - Cotter 1/8 x 1	1
30	306806	Guard - Rear 304	1
31	36423	Washer - Flat 1/4 SS	6
32	306813	Spring	1
33	306818	Seal - Rubber	ft. 12.25
34	55241	Decal - Danger Pinch Point	1
35	8804	Bolt - Carriage 5/16 x 1 SS	2
36	306870	Screen - Wldmt 304	2
37	36429	Pin - Hair	4

Micro Cover Lid Pneumatics

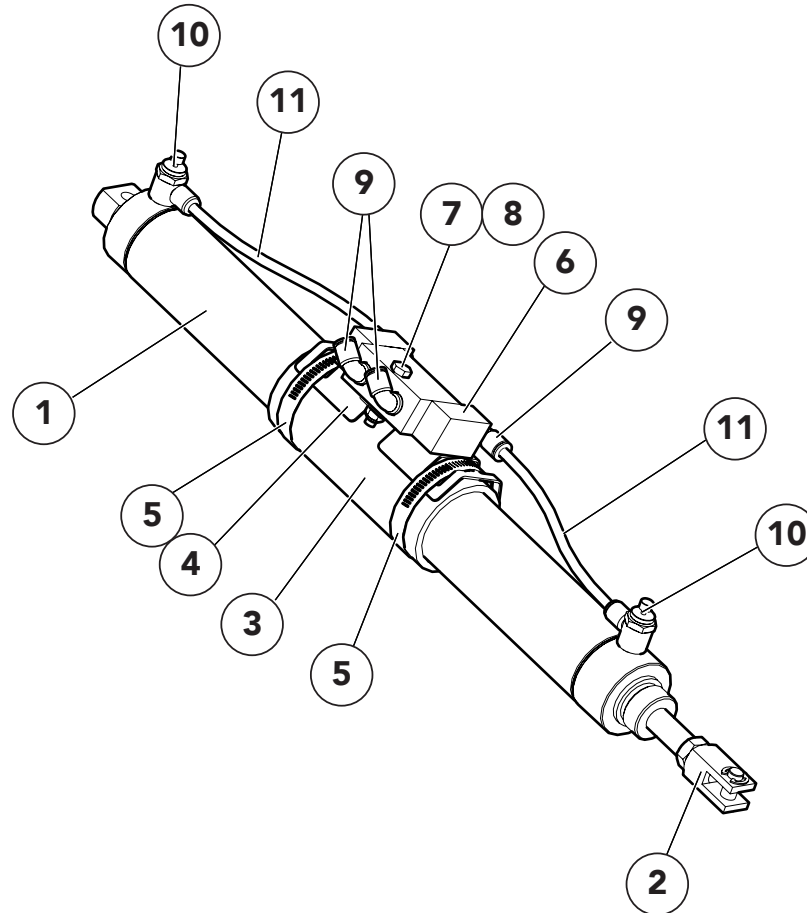


Micro Cover Lid Pneumatics Cont.

ITEM	PART NO.	DESCRIPTION	QTY
	307186	Valve - Assy, Includes Items 1, 6 - 14	1
	307189	Control - Kit Lid, Includes Items 13 & 14	1
1	307185	Valve - Assy, Includes Items 8 - 11	1
2	307598	Screw - Truss Head #8-32NC x 2 SS	2
3	45168	Nut - Lock #9-32NC	2
4	307596	Spacer - Air Valve Mntg	1
5	307597	Washer - Step	2
6	307187	Fitting - 4-0 630220B	2
7	9005-0-7833	Fitting - 4-2 630102B	5
8	9005-0-7761	Tubing - Air Brake	ft. 0.42
9	311039	Filter - In-Line	1
10	*306868	Switch - Cab Control	1
11	*306869	Harness - Switch 8'	1

AR - As Required * - Not Shown

Micro Cover Air Cylinder



ITEM	PART NO.	DESCRIPTION	QTY
	311034	Cylinder Assy	1
1	306810	Cylinder - Air 2 x 16 SS	1
2	306812	Clevis - Rod Cylinder SS	1
3	311038	Isolator - Tube	1
4	311037	Mount - Valve 304	1
5	308029	Clamp - Hose SAE 36 SS	2
6	311035	Valve - Dual Pilot Check	1
7	42448	Cap Screw - 1/4-20NC x 1-1/2 SS	1
8	42034	Nut - Lock 1/4-20NC SS	1
9	308222	Fitting - 4-4 630202K	4
10	311036	Valve - Speed Control	2
11	9005-0-7761	Tubing -1/4 OD Airbrake Black	ft. 1.33
12	*306828	Fitting - Plug Composite 4 630101K	2

* - Not Shown (for shipping only)

This page is intentionally left blank.