



NL4500G4 Edge

Variable Dry Rate Nutrient Applicator

Precision Application

- Boundary spreading
- Precise independent spinner control and monitoring
- Automatic feedgate and fan frame control

Ease of Use

- Intuitive New Leader user interface
- System sensors to monitor spreader performance
- Feedgate optimizer to calculate height
- Standard High Output Kit for high-rate fertilizer applications (remove for lime)

Ease of Maintenance

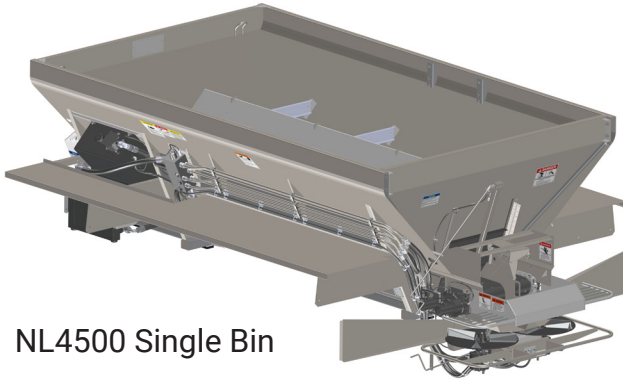
- Centralized grease banks
- Automatic hydraulic chain tensioning system
- Automatic chain oiling routine and alarms
- 304 stainless steel feedgate, spinner jacks, and handles

Multi-Product Capabilities

- MultApplier
 - Two product, variable rate spreading
 - Stainless steel connections for easy removal
 - Enhanced feedgate design for higher outputs
- MultiBin
 - Four product, variable rate spreading
 - Stainless steel connections for easy removal
- Optional MicroBin Top Cover

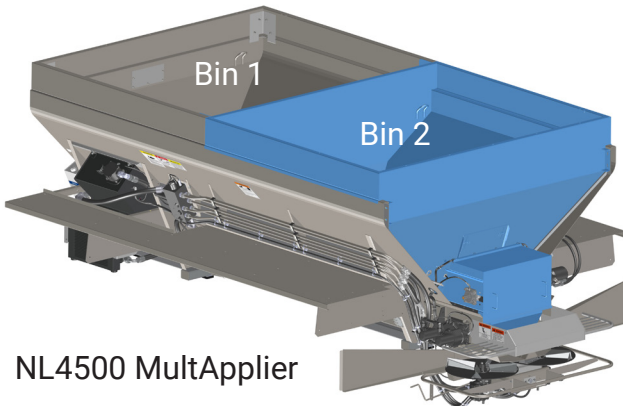


NL4500G4 Edge Specifications



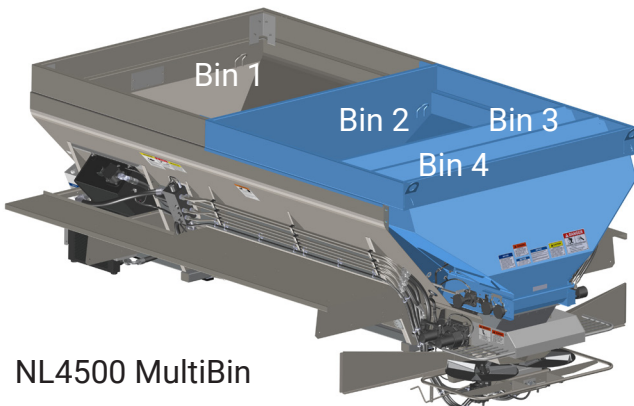
NL4500 Single Bin

NL4500G4 Edge	
Length	in (cm)
13' (3.96m)	184 (467)
14' (4.27m)	196 (498)
Struck Capacity	Cu Ft (Cu M)
13' (3.96m)	276 (7.82)
14' (4.27m)	298 (8.44)
Estimated Weight	lbs (kg)
13' (3.96m)	4600 (2087)
14' (4.27m)	4800 (2177)



NL4500 MultiApplier

MultApplier	5ft MultApplier	7ft MultApplier
Est. Ship Weight	1100 (481kg)	1300 (598kg)
	Capacities with 5 ft. MultApplier Cu ft (Cu M)	Capacities with 7 ft. MultApplier Cu ft (Cu M)
Insert Capacity	115 (3.25)	161 (4.60)
Struck Capacity	253 (7.16)	195 (5.52)
Total Struck Capacity	368 (10.41)	356 (10.12)



NL4500 MultiBin

14' MultiBin	
Struck Capacity	Cu Ft (Cu M)
Bin 1	195 (5.52)
Bin 2	143 (4.05)
Single Micro - Bin 3	44 (1.24)
Dual Micro - Bin 3	23 (.65)
Dual Micro - Bin 4	21 (.59)
Total Capacity	382 (10.81)
Est. Ship Weight	6800 lb. (3084kg)



Products and specifications subject to change without notice.
 Photos and illustrations may or may not include optional equipment.
 New Leader® is a registered trademark of Highway Equipment Company, Inc., d/b/a New Leader Manufacturing.
 © 2020 Highway Equipment Company, Inc., d/b/a New Leader Manufacturing.
 CASE-NL4500F-2020-01