



# NL4500G4 Edge

## Variable Dry Rate Nutrient Applicator

### Precision Application

- Boundary spreading
- Precise independent spinner control and monitoring
- Automatic feedgate and fan frame control

### Ease of Use

- Intuitive New Leader user interface
- System sensors to monitor spreader performance
- Feedgate optimizer to calculate height
- Standard High Output Kit for high-rate fertilizer applications (remove for lime)

### Ease of Maintenance

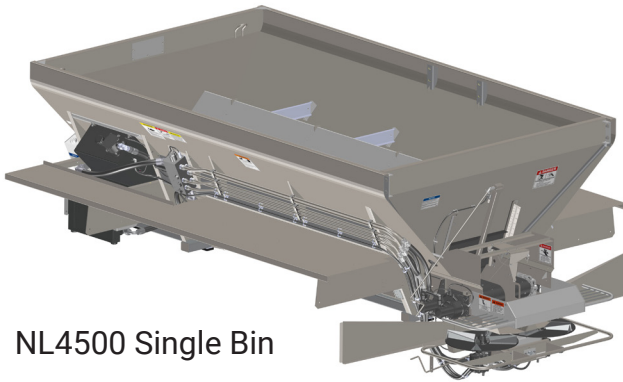
- Centralized grease banks
- Automatic hydraulic chain tensioning system
- Automatic chain oiling routine and alarms
- 304 stainless steel feedgate, spinner jacks, and handles

### Multi-Product Capabilities

- MultApplier
  - Two product, variable rate spreading
  - Stainless steel connections for easy removal
  - Enhanced feedgate design for higher outputs
- MultiBin
  - Four product, variable rate spreading
  - Stainless steel connections for easy removal
- Optional MicroBin Top Cover

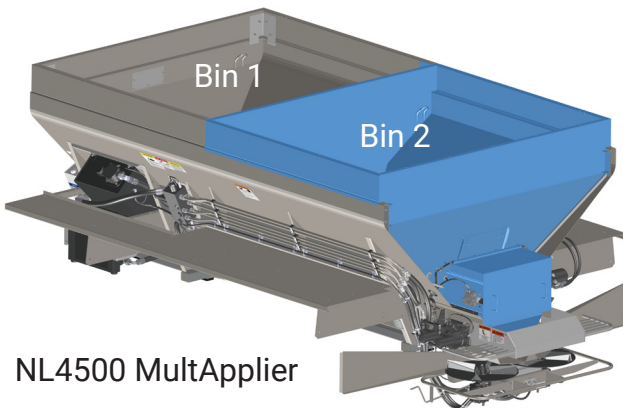


# NL4500G4 Edge Specifications



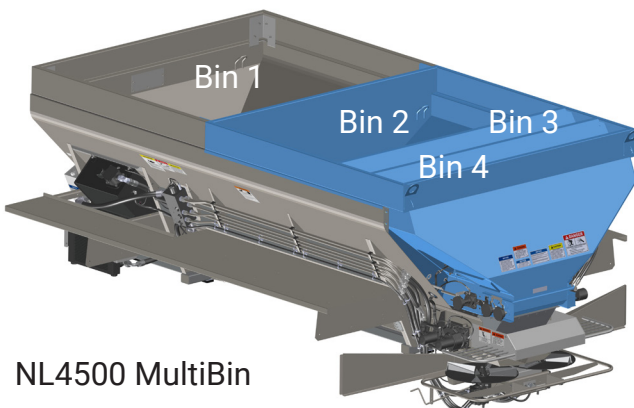
NL4500 Single Bin

NL4500G4 Edge	
<b>Length</b>	<b>in (cm)</b>
12' (3.66m)	172 (436.9)
<b>Struck Capacity</b>	<b>Cu Ft (Cu M)</b>
12' (3.66m)	330 (9.34)
<b>Estimated Weight</b>	<b>lbs (kg)</b>
12' (3.66m)	4800 (2177)



NL4500 Multiplier

Multiplier	5ft Multiplier	7ft Multiplier
Est. Ship Weight	1100 (498kg)	1300 (589kg)
	Capacities with 5 ft. Multiplier Cu ft (Cu M)	Capacities with 7 ft. Multiplier Cu ft (Cu M)
Bin 1 Struck Capacity	190 (5.38)	131 (3.71)
Bin 2 Struck Capacity	115 (3.25)	161 (4.56)
Total Struck Capacity	305 (8.63)	292 (8.27)



NL4500 MultiBin

12' MultiBin	
<b>Struck Capacity</b>	<b>Cu Ft (Cu M)</b>
Bin 1	131 (3.71)
Bin 2	143 (4.05)
Single Micro - Bin 3	44 (1.24)
Dual Micro - Bin 3	23 (.65)
Dual Micro - Bin 4	21 (.59)
<b>Total Capacity</b>	<b>318 (9.0)</b>
Est. Ship Weight	6100 (2767 kg)

MultiBin - Sideboard included	
12' Unit - Bin 1 Length w/ MultiBin (B)	71 in (180cm)
Est. Ship Weight	1700 (771)



Products and specifications subject to change without notice.  
 Photos and illustrations may or may not include optional equipment.  
 New Leader® is a registered trademark of Highway Equipment Company, Inc., d/b/a New Leader Manufacturing.  
 © 2019 Highway Equipment Company, Inc., d/b/a New Leader Manufacturing.  
 CASE-NL4500-2019-01