



# **Model L5034 G4 Operator's/Parts Manual**

UNIT SERIAL NUMBER \_\_\_\_\_

MANUAL NUMBER: 305438-J

EFFECTIVE 01/2023



1330 76TH AVE SW  
CEDAR RAPIDS, IA 52404-7052  
PHONE (800) 363-1771 | FAX (319) 286-3350  
*[www.newleader.com](http://www.newleader.com)*

Copyright 2021 New Leader Manufacturing

Interactive Features .....	5
Warranty .....	6
Preface .....	7
<b>Safety .....</b>	<b>8</b>
Important Safety Information .....	8
Safety Alert Symbols .....	8
General Safety Rules .....	9
Safety Decals .....	19
Safety Decal Maintenance .....	19
Safety Decal Installation .....	19
<b>Installation .....</b>	<b>25</b>
Hydraulic Requirements .....	25
Truck Requirements .....	25
Lifting the Spreader .....	26
Installing Body .....	27
Securing to Frame .....	28
Fender Installation .....	29
Hydraulic Hose Installation .....	30
Filling Hydraulic System .....	32
Electrical Connections .....	32
Light Installation .....	32
<b>Operations &amp; Maintenance .....</b>	<b>35</b>
General Description .....	35
Dimensions & Capacities .....	36
Initial Start-up .....	37
Field Testing .....	38
General Operating Procedures .....	39
Lubrication & Maintenance .....	40
Preventative Maintenance Pays! .....	40
Hydraulic System .....	40
Hydraulic Hose .....	41
Conveyor Chain .....	41
Conveyor Gearcase .....	43
Bin Sensor .....	43
Lubrication of Bearings .....	43
Fasteners .....	43
Clean-Up .....	43
Lubricant & Oil Specifications .....	44
Hydraulic System .....	44
Gearcase Lubricant .....	44
Grease Gun Lubricant .....	44
Conveyor Chain Oiler .....	44
Lubrication Chart .....	45
Conveyor Selection .....	46
Troubleshooting .....	47
Hydraulic Schematic .....	47
Standard Torques .....	50
<b>Controller Operations .....</b>	<b>51</b>
Introduction .....	51
How the ISOBUS Works .....	51
Terminologies .....	51
Cab to Enclosure Diagram .....	52
Modules to Function Diagram .....	53

Requirements.....	54
Navigation.....	55
Navigation Control Buttons.....	56
Machine Configuration .....	57
Initial Configuration/Factory Setup .....	57
Enable Installed Bins.....	58
Bin Settings.....	58
GPS Offsets.....	60
System Setup Summary .....	60
Configuring Auxiliary Switches.....	60
Settings .....	61
Enable/Disable Bins .....	61
Valve Calibration Adjustment.....	61
Alarm Settings .....	64
Reconfigure System .....	64
Switch Assignment.....	65
Component Calibration.....	66
Spinner Disc Calibration .....	66
Conveyor Calibration .....	67
Operations/Features.....	70
Hydraulics.....	74
Bin Flush.....	75
Body Module .....	77
Bin Cover Control.....	77
Chain Oiler.....	78
General Alarms.....	80
General Product Control Alarms.....	81
Spinner Alarms .....	82
Hydraulic Alarms .....	83
Chain Oiler Alarms .....	83
Default Settings.....	84
Calibration .....	85
Alarms .....	85
<b>Spread Pattern .....</b>	<b>87</b>
Catch Test .....	87
Spread Pattern .....	88
Spread Pattern Test Kit .....	88
Spinners .....	89
Spreader Preparation.....	89
Test Procedure.....	91
Troubleshooting .....	94
Verifying Driving Centers.....	96
<b>Parts .....</b>	<b>97</b>
Instructions for Ordering Parts .....	97
Body.....	98
Mounting.....	98
Sight Window .....	99
Feedgate.....	100
Fenders .....	102
Mud Flaps .....	103
Body Hydraulics .....	104
Pump Hydraulics.....	104
Relief Valve Groups .....	106

Pressure Gauge Kit.....	107
Main Bin .....	108
PWM Spinner Valve .....	114
PWM Spinner Speed Controller.....	115
Hydraulic Reservoir .....	116
Hydraulic Reservoir w/ Cooler.....	118
Conveyor .....	122
#1 Bar Chain Conveyor .....	122
#2 & #3 Bar Chain Conveyors .....	123
Chain Shields.....	124
Conveyor Drive.....	125
Conveyor Idler .....	126
Encoder.....	127
Gearcase Assembly.....	128
Conveyor Chain Oiler .....	130
Rear Wipers .....	132
Wiper Front.....	134
Enclosure Assembly.....	135
Controller - Main Bin .....	137
13-16' .....	137
18-21' .....	141
Spinners.....	146
Spinner Guards & Deflectors.....	146
Spinner Assembly.....	147
Spinner Discs .....	150
Spinner Speed Sensor .....	152
Decals .....	154
Antislab.....	156

**NOTE:**

This manual incorporates several interactive features to provide supplemental information and ease of navigation. The information below is to aid in the identification and use of these features.

## Hyperlinks

Hyperlinks provide direct access to a specific destination when clicked. The entire Table of Contents of this manual is hyperlinked to provide quick access to all sections of this manual when viewing the electronic version.

Hyperlinks within the content are denoted by **blue, bold underlined text**. Electronic format viewers can click these links for direct access to New Leader online features. Internet access is required.

Insert Current New Leader Warranty



## **PLEASE ! ALWAYS THINK SAFETY FIRST !!**

The purpose of this manual is to familiarize the person (or persons) using this unit with the information necessary to properly install, operate, and maintain this system. The safety instructions indicated by the safety alert symbol in the following pages supersede the general safety rules. These instructions cannot replace the following: the fundamental knowledge that must be possessed by the installer or operator, the knowledge of a qualified person, or the clear thinking necessary to install and operate this equipment. Since the life of any machine depends largely upon the care it is given, we require that this manual be read thoroughly and referred to frequently. If for any reason you do not understand the instructions, please call your authorized dealer or our Product Sales and Support Department at 1-888-363-8006.

It has been our experience that by following these installation instructions, and by observing the operation of the spreader, you will have sufficient understanding of the machine enabling you to troubleshoot and correct all normal problems that you may encounter. Again, we urge you to call your authorized dealer or our Product Sales and Support Department if you find the unit is not operating properly, or if you are having trouble with repairs, installation, or removal of this unit.

We urge you to protect your investment by using genuine NLM parts and our authorized dealers for all work other than routine care and adjustments.

New Leader Manufacturing reserves the right to make alterations or modifications to this equipment at any time. The manufacturer shall not be obligated to make such changes to machines already in the field.

This Safety Section should be read thoroughly and referred to frequently.

**ACCIDENTS HURT !!!**

**ACCIDENTS COST !!!**

**ACCIDENTS CAN BE AVOIDED !!!**



## Important Safety Information

### **▲ WARNING**

Before using this equipment, read, understand and follow all instructions in the Operator's Manual provided with this equipment. If the user and/or assistants cannot read or understand the warnings and instructions, the employer of the user and/or assistants must provide adequate and necessary training to ensure proper operation and compliance with all safety procedures pertaining to this equipment. If Operator's Manual has been lost, visit [www.newleader.com](http://www.newleader.com) or call your authorized dealer or our Product Sales & Support Department at (800) 363-1771 for replacements. Serious injury or death can result from the failure to read, understand, and follow instructions provided in this manual.

Figure 1.1 - The need for safety cannot be stressed strongly enough in this manual. At New Leader Manufacturing, we urge you to make safety your top priority when operating any equipment. We firmly advise that anyone allowed to operate this machine carefully read, learn and understand all messages and information in this manual and on machine's safety decals before operating machine, as well as familiarize themselves with the location and function of all machine controls.

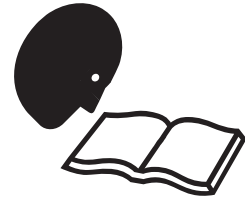


Figure 1.1

The following guidelines are intended to cover general usage and to assist you in avoiding accidents. There will be times when you will run into situations that are not covered in this section. At those times the best standard to use is common sense. If, at any time, you have a question concerning these guidelines, please call your authorized dealer or our Product Sales & Support Department at (800) 363-1771.

## Safety Alert Symbols



Take note! This safety alert symbol found throughout this manual is used to call your attention to instructions involving your personal safety and that of others. Failure to follow these instructions can result in injury or death.

In this manual and on the safety signs placed on the unit, the words "DANGER," "WARNING," "CAUTION," and "NOTICE" are used to indicate the following:



DANGER indicates a hazardous situation which, if not avoided, will result in death or serious injury.



WARNING indicates a hazardous situation which, if not avoided, could result in death or serious injury.



CAUTION indicates a hazardous situation which, if not avoided, could result in minor or moderate injury.



NOTICE is used to address practices not related to physical injury.

### **NOTE:**

Provides additional information to simplify a procedure or clarify a process.

# General Safety Rules

## Operations

### PREPARE FOR EMERGENCIES

Figure 1.2 - Be prepared if a fire starts. Keep a fully charged fire extinguisher and first aid kit in accessible place on the vehicle at all times.

Fire extinguisher must be Type ABC or Type BC.

Keep emergency numbers for doctors, ambulance service, hospital and fire department available at all times.

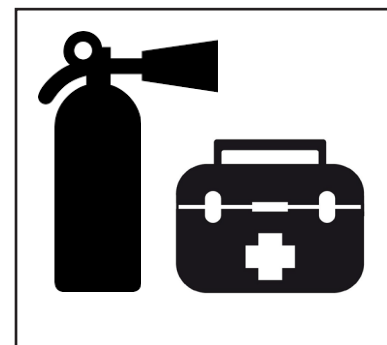


Figure 1.2

### INSPECT HARDWARE BEFORE USE

Figure 1.3 - Inspect all bolts, screws, fasteners, keys, chain drives, body mounts and other attachments periodically. Immediately replace any missing or damaged parts with NLM specified parts.

Inspect spinner fins, spinner frame mounting and spinner fin hardware daily. Look for missing or loose fasteners, wear and cracks. Replace immediately with NLM specified parts.

Tighten all bolts, nuts and screws to specified torques. Refer to "Standard Torques" in Maintenance section of this manual.

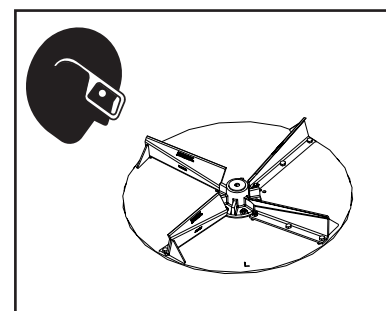


Figure 1.3

### HANDLE FLAMMABLE MATERIALS SAFELY

Figure 1.4 - Handle fuel and hydraulic oil with care. They are highly flammable.

Exposure to toxic fluids or fumes may occur during the normal operation of this system. Before attempting to fill, use, or service this system, read Safety Data Sheets (SDS) to know the specific hazards of the fluids you are using. Always use proper Personal Protective Equipment when attempting to fill, use, or service this system.

Always stop engine before refueling machine or filling hydraulic reservoir.

Never smoke while adding fuel or oil to machine. Add fluids in a safe place away from open flame and sparks.

Do not allow overflow. Clean up spilled fuel and oil immediately.

Always have a multipurpose dry chemical fire extinguisher filled and available during machine operation and when adding fuel. Know how to use it.

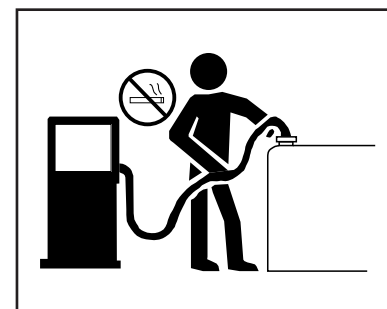


Figure 1.4

## General Safety Rules

### Operations

#### HANDLE HAZARDOUS MATERIALS SAFELY

Figure 1.5 - Materials to spread can be dangerous.

Improper selection, application, use or handling may be a hazard to persons, animals, plants, crops or other property.

A Safety Data Sheet (SDS) provides specific details on chemical products: physical and health hazards, safety procedures and emergency response techniques.

Check all SDS's before starting any job using a hazardous material. Follow all instructions and precautions given by the material manufacturer.



Figure 1.5

#### WORK IN WELL-VENTILATED AREAS

<b>▲ WARNING</b>	Never run machine engine inside a building unless adequate ventilation is provided to safely and properly remove exhaust fumes. Failure to comply with this requirement could result in death or serious injury.
------------------	------------------------------------------------------------------------------------------------------------------------------------------------------------------------------------------------------------------

Figure 1.6 - Always work in a properly ventilated area.

Engine exhaust fumes can cause sickness or death. If it is necessary to run an engine in an enclosed area, use proper equipment to safely remove exhaust fumes from the working area.

Open building doors and get fresh air into the working area whenever possible.



Figure 1.6

#### PROTECT AGAINST NOISE

Figure 1.7 - Long periods of exposure to high decibels or loud noise can cause hearing impairment or loss.

Wear proper hearing protection such as earmuffs or earplugs during periods of exposure to high decibels or loud noise.

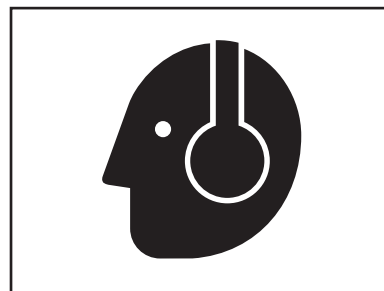


Figure 1.7

## General Safety Rules

### Operations

#### AVOID MOVING PART HAZARDS

Figure 1.8 - Entanglement in rotating drive lines or moving parts will cause serious injury or death.

Stay clear of all moving parts, such as shafts, couplings and universal joints.

Make sure all personnel are clear of machine before starting.



Figure 1.8

Figure 1.9 - Do not operate machine without all guards and shields closed and secured.

Disconnect and lock out power source before removing guards.

Disconnect and lock out power source before adjusting or servicing.

Keep hands, feet, hair and clothing away from moving parts.

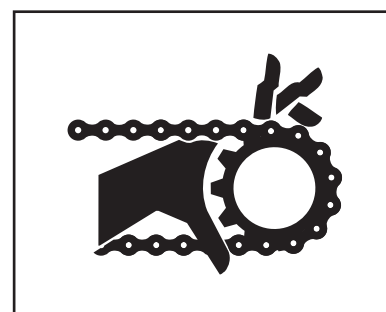


Figure 1.9

Figure 1.10 - Keep away from spinners while they are turning.

Rocks, scrap metal and other material can be thrown from the spinners violently. Stay away from discharge area.

Stop machine before servicing or adjusting. Wear eye protection.

Make sure discharge area is clear before spreading.

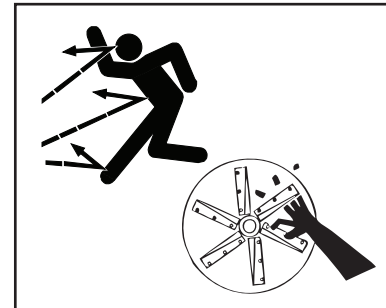


Figure 1.10

Figure 1.11 - Stay out of spreader.

If necessary to enter the spreader, return to shop, empty body, turn off all power, engage brakes, shut down engine and remove keys before entering.

Tag all controls to prohibit operation. Tags should be placed, and removed, by the person working in the body.

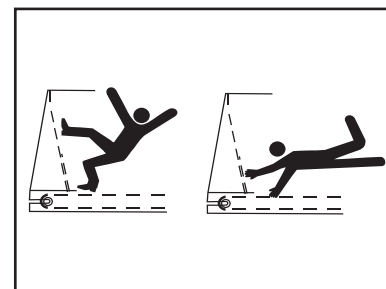


Figure 1.11

## General Safety Rules

### Operations

#### DO NOT CLIMB OR STAND ON MACHINE

Figure 1.12 - Never allow any personnel to ride in or on the machine.

Use inspection ladder or portable ladder to view the unit. Use caution when getting on and off the ladder, especially in wet, icy, snowy or muddy conditions. Clean mud, snow and ice from steps and footwear.

Always maintain three-point contact with steps, ladders and handholds. Face the machine when mounting and dismounting inspection ladder. Do not jump off machine.



Figure 1.12

#### OPERATE MACHINE SAFELY

Always walk around and visually inspect machine before using. Check the immediate vicinity of machine for people and obstructions. Ensure adequate visibility.

Avoid distractions such as reading, eating or operating personal electronics while operating machine. Never operate the machine under the influence of alcohol, drugs or while otherwise impaired.

Always come to a complete stop before reversing. Be sure that all personnel are clear of machine path. Turn around and look directly for best visibility. Ensure all rear view mirrors are properly installed and adjusted. Use a signal person when backing if view is obstructed or when in close quarters.

Always disengage hydraulics before shutting down engine. DO NOT start engine with hydraulics engaged.

## General Safety Rules

### Transportation & Handling

#### TRAVELING & TRANSPORTING ON PUBLIC ROADS

Always walk around and visually inspect the machine before traveling on public roads. Check for damage and/or faulty components that can fail and create a hazard or unsafe condition. Make sure all machine systems operate properly, including but not limited to: headlights, tail and brake lights, hazard warning lights, turn indicators, parking brake, horn and rear view mirrors. Repair or replace any component that is not in proper working order.

Never drive machine at a speed that causes it to bounce or cause loss of control.

Obey all traffic safety laws and regulations. Operate the machine with hazard warning lights on, unless prohibited by law. It is the operator's responsibility to activate and use road lights properly while traveling on public roads.

Cover all loads that may spill or blow away. Environmental damage may result. Do not spread dusty materials where dust may create pollution, visibility issues or interfere with traffic on public roads.

When transporting equipment or machine on a trailer, ensure it is properly secured. Be sure that SMV signs on equipment or machine are covered while in transport on a trailer.

Be aware of overhead structures and power lines. Make sure machine can safely pass under. Refer to "Dimensions & Capacities" pages in the Operations section of this manual.

#### NAVIGATING ROUGH & UNEVEN TERRAIN

Figure 2.1 - Turn slowly and be careful when traveling on rough surfaces and side slopes. Avoid holes, ditches and obstructions that may cause machine to roll over, especially with a loaded spreader.

Never drive near the edge of a gully or steep embankment.

Load may shift, causing vehicle to tip.

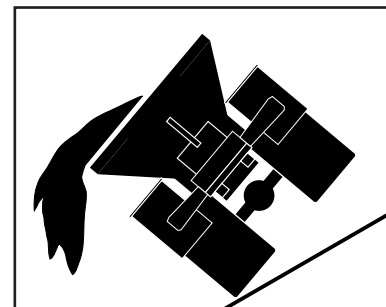


Figure 2.1

## General Safety Rules

### Maintenance

#### READ AND UNDERSTAND MAINTENANCE PROCEDURES

Figure 3.1 - Read the maintenance and safety instructions and understand them before performing any maintenance procedure.

Never perform any maintenance procedure or repair if the instructions and safety procedures are not fully understood. Only trained and qualified personnel should perform any maintenance procedure or repair.

Never modify any equipment or add attachments not approved by New Leader Manufacturing.

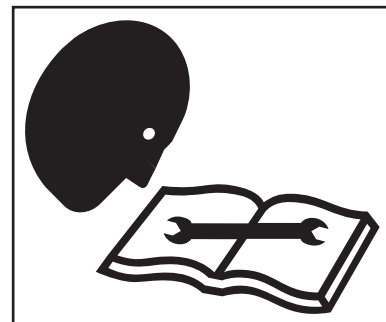


Figure 3.1

#### DO NOT SERVICE OR ADJUST MACHINE WHILE IN MOTION

Figure 3.2 - Never lubricate, service or adjust the machine or any of its components while they are moving.

Never wear loose clothing or jewelry when working near machine tools or moving parts.

Remove rings and other jewelry to prevent electrical shorts and other personal injury when in contact with machine tools or moving parts.

Close and secure all guards removed for service. Check all screws, bolts, nuts and fasteners for proper torques before operating machine.

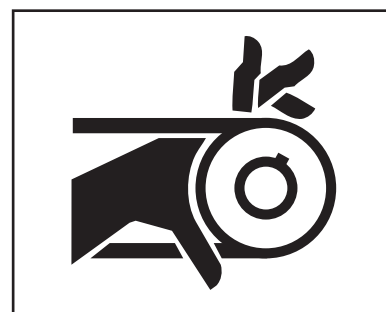


Figure 3.2

#### WEAR PROPER PROTECTIVE EQUIPMENT

Figure 3.3 - Wear close-fitting clothing and proper safety equipment for the job.

Always wear eye protection when working on or around the machine.

Wear a suitable hearing protection device such as earmuffs or earplugs to protect against high decibels or loud noises.

Prolonged exposure to high decibels or loud noise can cause hearing impairment or loss of hearing.

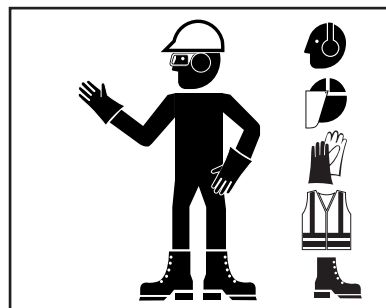


Figure 3.3

Wear protective gloves to protect hands from cuts, abrasions and minor burns.

## General Safety Rules

### Maintenance

#### HANDLE FLAMMABLE SOLVENTS SAFELY

Figure 3.4 - Never use diesel fuel, kerosene, gasoline or any flammable solvents for cleaning.

Exposure to toxic fluids or fumes may occur during the normal operation of this system. Before attempting to fill, use, or service this system, read Safety Data Sheets (SDS) to know the specific hazards of the fluids you are using. Always use proper Personal Protective Equipment when attempting to fill, use, or service this system.

Perform work using flammable fluids and solvents in a safe place away from open flame and sparks. Do not smoke.

Do not weld, grind or flame cut on any tank containing oil, fuel, fumes or any other flammable material, or any container that contents or previous contents are unknown. Move all flammable materials and containers away from work area.

Clean up spilled fuel and oil immediately.

Always have a multipurpose dry chemical fire extinguisher filled and available. Know how to use it.

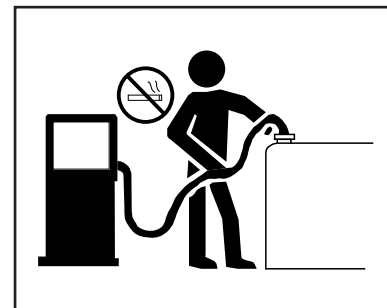


Figure 3.4

#### USE PROPER LIFTING EQUIPMENT

Figure 3.5 - Use only lifting devices that meet or exceed OSHA standard 1910.184 or ASME B30.20-2013.

Never lift equipment over people.

Never lift a loaded unit. Never lift unit with any loose objects or persons in the body. Loads may shift or fall if improperly supported, causing death, serious injury or machine damage.

Before unfastening heavy parts or assemblies, support with adequate hoist or other device to prevent falling, tipping, swinging or any other movement that may cause injury or damage.



Figure 3.5

#### USE PROPER TOOLS FOR THE JOB

Figure 3.6 - Use of improper tools (such as a screwdriver instead of a pry bar, pliers instead of a wrench, a wrench instead of a hammer) can cause serious injuries or machine damage.

Use power tools only to loosen threaded parts and fasteners. Using power tools to tighten may cause over-tightening and component damage.

Use only service parts meeting New Leader specifications.

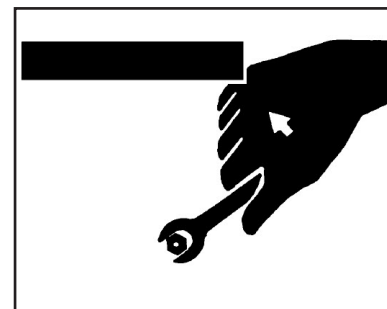


Figure 3.6



## General Safety Rules

### Maintenance

#### HIGH PRESSURE FLUID HAZARDS

Figure 3.7 - Escaping fluid under pressure can penetrate the skin causing serious injury.

Always stop machine, allow to cool and relieve pressure before servicing hydraulic system. Never open hydraulic lines under pressure. Make sure all connections are tight and all hoses are in good condition before pressurizing system.

Always use a piece of cardboard or wood to search for leaks instead of hand. Wear impervious gloves and eye protection when servicing system.

Seek medical attention immediately if fluid penetrates your skin. Gangrene may result if wound is left untreated.



Figure 3.7

#### AVOID HEATING NEAR HIGH PRESSURE FLUID LINES

Figure 3.8 - Flammable spray can be generated by heating near pressurized fluid lines, resulting in burns to yourself and bystanders.

Do not heat by welding, soldering or using a torch near pressurized fluid lines or other flammable materials.

Pressure lines can suddenly burst when heat goes beyond the immediate flame area.

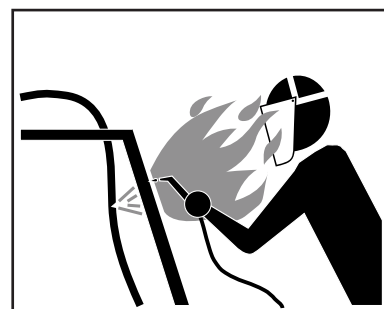


Figure 3.8

#### AVOID TOXIC FUMES & DUST

Figure 3.9 - Hazardous fumes can be generated when paint is heated from welding, soldering or using a torch.

Remove paint before heating:

- Remove a minimum of 4 in (100 mm) from area to be affected by heating. If paint cannot be removed, wear an approved respirator while heating or welding.
- Avoid breathing dust from sanding or grinding on paint.
- If a solvent or paint stripper is used, wash stripper away with soap and water before heating or welding. Remove solvent or paint stripper containers and other flammable material from area. Allow fumes to disperse for at least 15 minutes before heating or welding.

Do not use chlorinated solvents in areas where welding will take place.

Perform all work in a well-ventilated area that will carry all toxic fumes and dust away.



Figure 3.9

## General Safety Rules

### Maintenance

#### CLEAN MACHINE OF HAZARDOUS CHEMICALS

#### CAUTION

During application of hazardous chemicals, residue can build up on the inside or outside of the vehicle. Clean vehicle according to use instructions of hazardous chemical. Failure to comply with this requirement may result in minor or moderate injury.

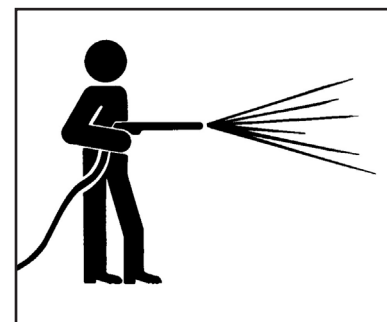


Figure 3.10

Figure 3.10 - When exposed to hazardous chemicals, clean exterior and interior of vehicle daily to keep free of the accumulation of visible dirt and contamination.

1. Clean operator's station to maintain unobstructed visibility of all windows and mirrors, and safe operation of all controls.

#### NOTICE

Directing pressurized water at electronic/ electrical components, bearings and hydraulic seals or other sensitive parts and components may cause product malfunctions. Reduce pressure and spray at 45 to 90 degree angles.

2. Wash entire exterior of vehicle.
3. Dispose of any wash water with hazardous concentrations of active or non-active ingredients according to published regulations or directives.

#### HANDLE BATTERIES SAFELY

#### WARNING

Sulfuric acid in battery electrolyte is poisonous. It can burn skin, eat holes in clothing, and cause blindness if it contacts eyes. Keep sparks and flame away from batteries. Wear proper safety equipment. Failure to comply with this requirement could result in death or serious injury.

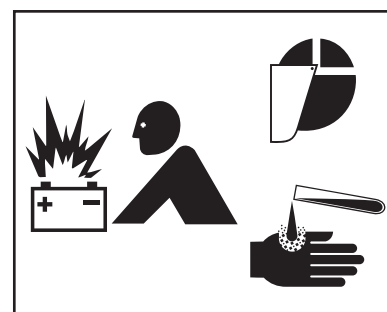


Figure 3.11

Figure 3.11 - Lead acid batteries generate flammable and explosive gases. Keep sparks and flame away from batteries. Do not smoke.

If acid contacts eyes, skin or clothing, flush with water immediately. Seek immediate medical attention if acid contacts eyes.

#### PROPER TIRE MAINTENANCE

Figure 3.12 - Never weld on a wheel or rim that has a tire on it.

Never attempt to mount or remove a tire unless using the proper equipment, tire safety cage, instructions, training, and you are qualified to perform the work safely. Failure to follow the correct procedures when mounting a tire on a wheel or rim can cause an explosion and serious injury.

Tire service procedures must be performed by trained and qualified personnel.

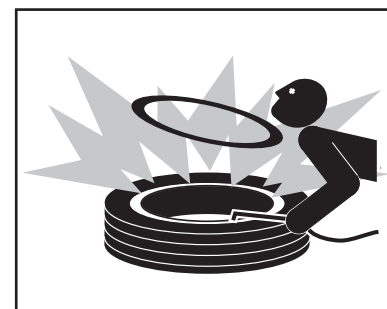


Figure 3.12

## General Safety Rules

### Storage

#### PARK VEHICLE SAFELY

Figure 4.1 - When leaving the vehicle unattended for any reason, be sure to:

- Shut down PTO.
- Shut off vehicle's engine, and unit's engine if applicable.
- Place vehicle transmission in "Neutral" or "Park".
- Set parking brake firmly.
- Remove ignition key and take it with you.
- Block wheels.

These actions are recommended to avoid unauthorized use, runaway, vandalism, theft and unexpected operation during startup.

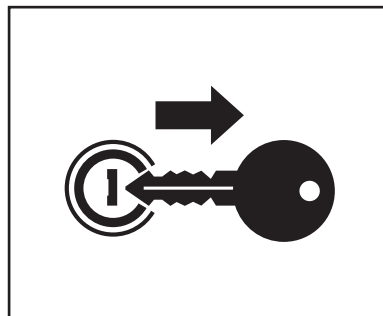


Figure 4.1

#### SUPPORT MACHINE PROPERLY

Figure 4.2 - When machine is removed from vehicle, always store on adequate supports on a firm level surface. Improper supporting or storage of spreader may cause machine to fall, resulting in serious injury or death.

Never use lifting device to free machine from a chassis, storage stands or frozen ground, or to lift the chassis in any way. Shock loading is prohibited and sudden accelerations must be avoided. Lifting in such a manner could result in injury or machine damage.



Figure 4.2

#### DISPOSE OF WASTE PROPERLY

Figure 4.3 - Improper disposal of waste can threaten the environment and ecology. Potentially harmful waste used with equipment include items such as fuel, oil, filters and batteries.

Use leakproof containers when draining fluids. Do not use food or beverage containers that may mislead someone into drinking from them. Do not pour waste onto the ground, down a drain, or into any water source.

Comply with all OSHA, local, City, State, Province, Country and jurisdiction regulations, ordinances and standards, related to your particular work area and environment. Inquire on proper disposal methods from your local environmental or recycling center, or from your local dealer.

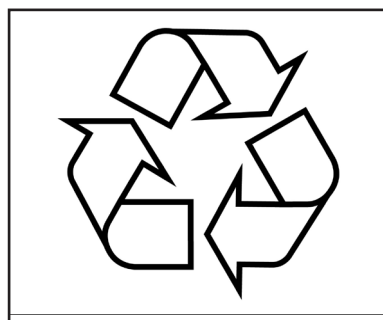


Figure 4.3

## **Safety Decal Maintenance**

Keep safety decals and signs clean and legible at all times.

Replace safety decals and signs that are missing or have become illegible.

Replaced parts that displayed a safety sign should also display the current sign.

Safety decals or signs are available from your dealer's Parts Department or from New Leader Manufacturing by calling (800) 363-1771.

## **Safety Decal Installation**

### **Clean Surface**

Wash the installation surface with a synthetic, free-rinsing detergent. Avoid washing the surface with a soap containing creams or lotion. Allow to dry.

### **Position Safety Decal**

Decide on the exact position before application. Application marks may be made on the top or side edge of the substrate with a lead pencil, marking pen, or small pieces of masking tape. NOTE: Do not use chalk line, china marker, or grease pencil. Safety decals will not adhere to these.

### **Remove the Liner**

A small bend at the corner or edge will cause the liner to separate from the decal. Pull the liner away in a continuous motion at a 180-degree angle. If the liner is scored, bend at score and remove.

### **Apply Safety Decal**

Tack decal in place with thumb pressure in upper corners. Using firm initial squeegee pressure, begin at the center of the decal and work outward in all directions with overlapping strokes. NOTE: Keep squeegee blade even—nicked edges will leave application bubbles. Pull up tack points before squeegeeing over them to avoid wrinkles.

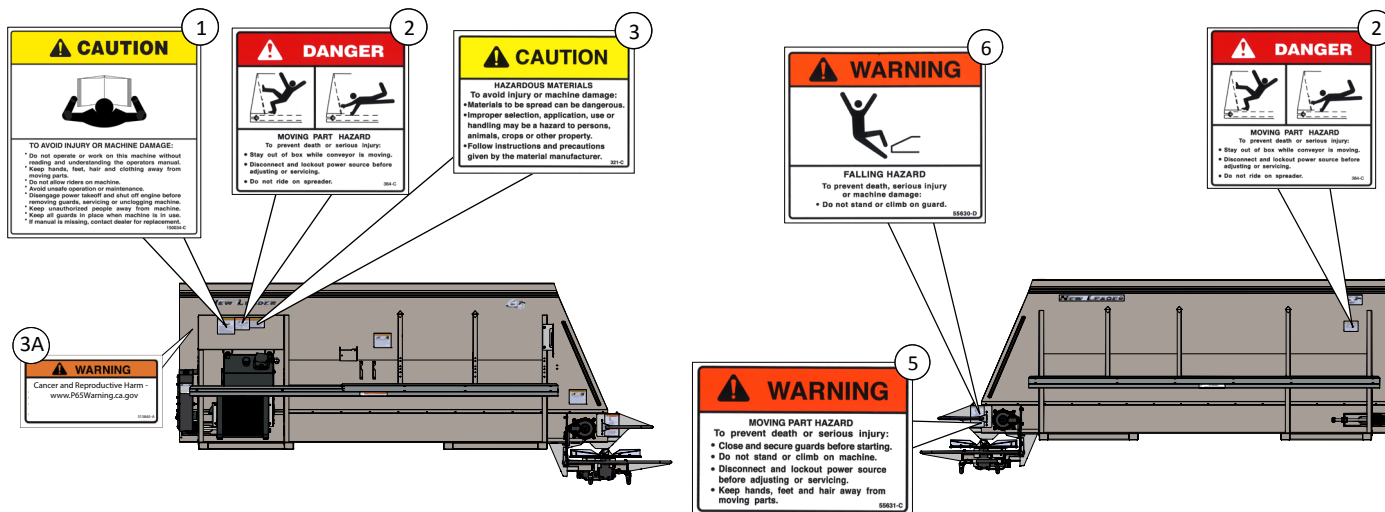
### **Remove Pre-mask**

If safety decal has a pre-mask cover remove it at this time by pulling it away from the decal at a 180 degree angle. NOTE: It is important that the pre-mask covering is removed before the decal is exposed to sunlight to avoid the pre-mask from permanently adhering to the decal.

### **Remove Air Pockets**

Inspect the decal in the flat areas for bubbles. To eliminate the bubbles, puncture the decal at one end of the bubble with a pin (never a razor blade) and press out entrapped air with thumb moving toward the puncture.

### **Re-Squeegee All Edges**



## 1. CAUTION: TO AVOID INJURY OR MACHINE DAMAGE:

- Do not operate or work on this machine without reading and understanding the operator's manual.
- Keep hands, feet, hair and clothing away from moving parts.
- Do not allow riders on machine.
- Avoid unsafe operation or maintenance.
- Disengage power takeoff and shut off engine before removing guards, servicing or unclogging machine.
- Keep unauthorized people away from machine.
- Keep all guards in place when machine is in use.
- If manual is missing, contact dealer for replacement.

## 2. DANGER: MOVING PART HAZARD

### To prevent death or serious injury:

- Stay out of box while conveyor is moving.
- Disconnect and lock out power source before adjusting or servicing.
- Do not ride on the spreader.

## 3. CAUTION: HAZARDOUS MATERIALS

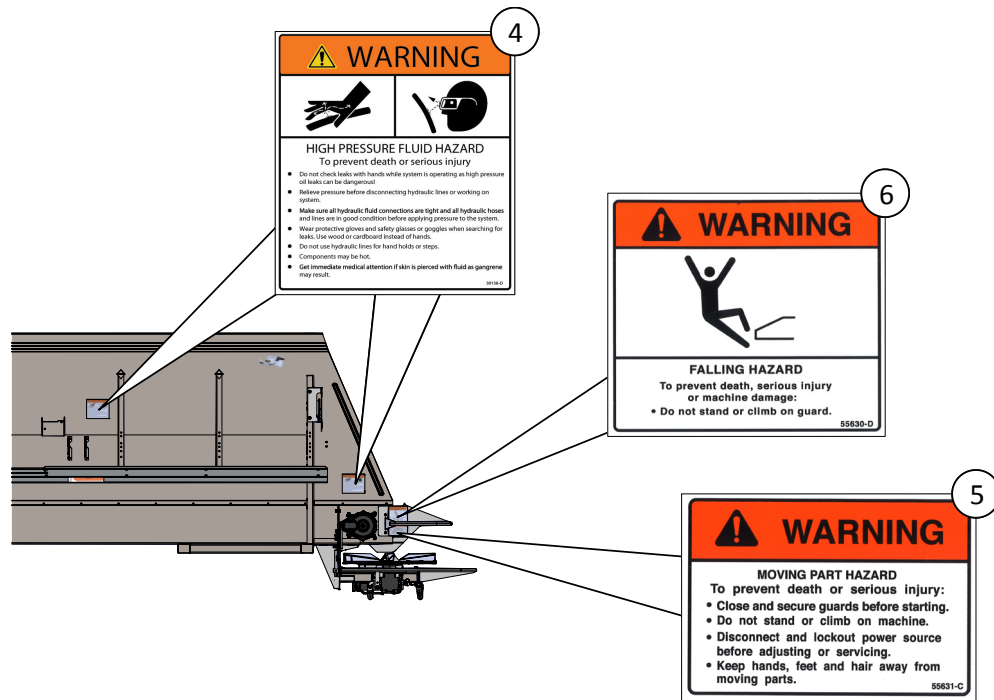
### To avoid injury or machine damage:

- Materials to be spread can be dangerous.
- Improper selection, application, use or handling may be hazardous to persons, animals, crops or other property.
- Follow instructions and precautions given by material manufacturer.

## 3A. WARNING: HAZARDOUS MATERIALS

### To avoid injury:

- Cancer and Reproductive Harm - [www.P65Warning.ca.gov](http://www.P65Warning.ca.gov)



#### 4. WARNING: HIGH-PRESSURE FLUID HAZARD

##### To prevent death or serious injury:

- Do not check leaks with hands while system is operating as high pressure oil leaks can be dangerous!
- Relieve pressure before disconnecting hydraulic lines or working on system.
- Make sure all hydraulic fluid connections are tight and all hydraulic hoses and lines are in good condition before applying pressure to the system.
- Wear protective gloves and safety glasses or goggles when searching for leaks. Use wood or cardboard instead of hands.
- Do not use hydraulic lines for hand holds or steps.
- Components may be hot.
- Get immediate medical attention if skin is pierced with fluid as gangrene may result.

#### 5. WARNING: MOVING PART HAZARD

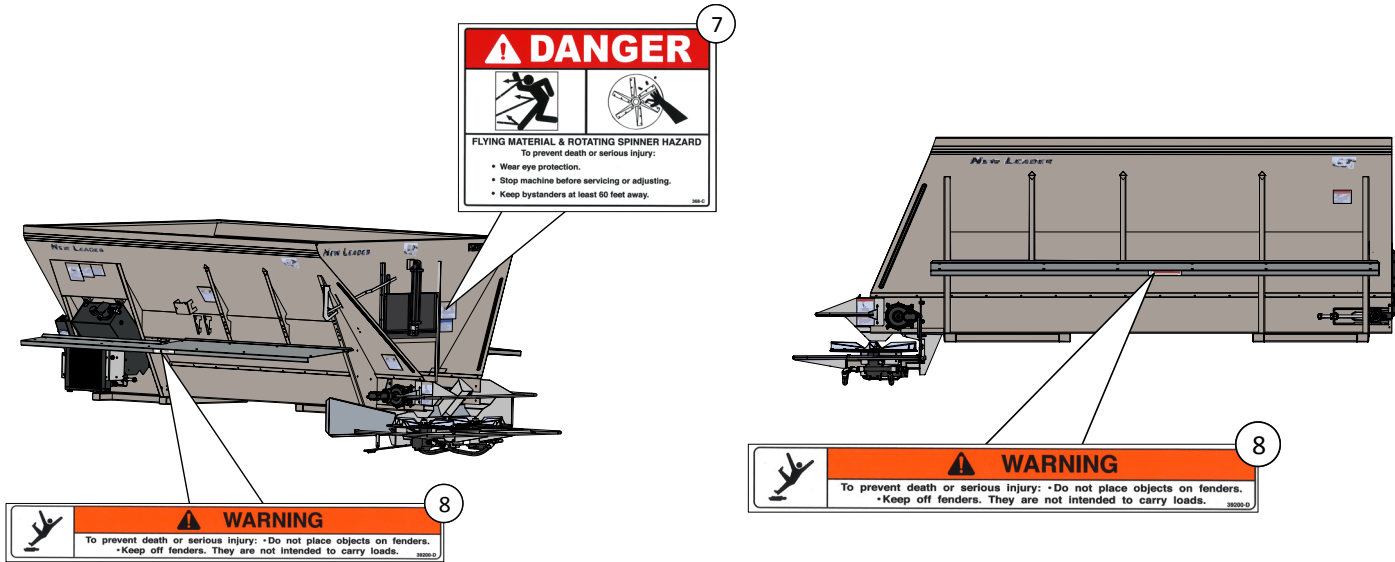
##### To prevent death or serious injury:

- Close and secure guards before starting.
- Do not stand or climb on machine.
- Disconnect and lockout power source before adjusting or servicing.
- Keep hands, feet and hair away from moving parts.

#### 6. WARNING: FALLING HAZARD

##### To prevent death, serious injury or machine damage:

- Do not climb or stand on guard.



## 7. DANGER: FLYING MATERIAL AND ROTATING SPINNER HAZARD

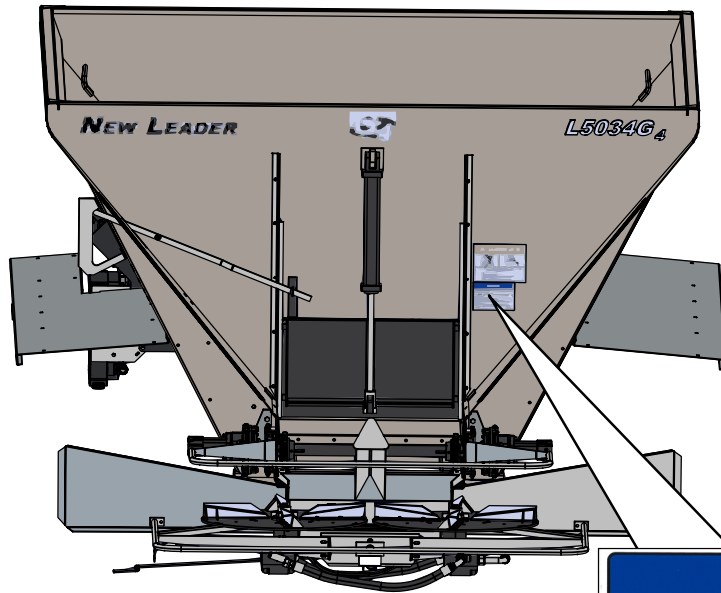
**To prevent death or serious injury:**

- Wear eye protection.
- Stop machine before servicing or adjusting.
- Keep bystanders at least 60 feet away.

## 8. WARNING: FALLING HAZARD

**To prevent death or serious injury:**

- Do not place objects on fenders.
- Keep off fenders. They are not intended to carry loads.



1

**NOTICE**

Spinner assembly and material flow divider have NOT been adjusted at the factory. Before assembling unit, read and follow assembly instructions in the operation and maintenance manual for this unit.

Before spreading material, spread pattern tests must be conducted to properly adjust the spread pattern. Refer to the "How to Check Your Spread Pattern" manual for adjustment instructions. A spread pattern test kit is available from your New Leader dealer.

Wind, humidity, rain and other adverse weather conditions can affect spread pattern, resulting in uneven crop growth and loss of yields.

**THE MANUFACTURER OF THIS SPREADER WILL NOT BE LIABLE FOR MISAPPLIED MATERIAL DUE TO AN IMPROPERLY ADJUSTED SPREADER OR ADVERSE WEATHER CONDITIONS.**

It is recommended that spread pattern tests be conducted prior to each spreading season, after any spreader maintenance, and periodically during the spreading season. Spread pattern tests must be conducted whenever a new product is to be applied.

71826-F

**1. NOTICE: SPREAD PATTERN TESTING**

**To obtain optimal machine performance:**

Spinner assembly and material flow divider have NOT been adjusted at the factory. Before assembling unit, read and follow assembly instructions in the operation and maintenance manual for this unit.

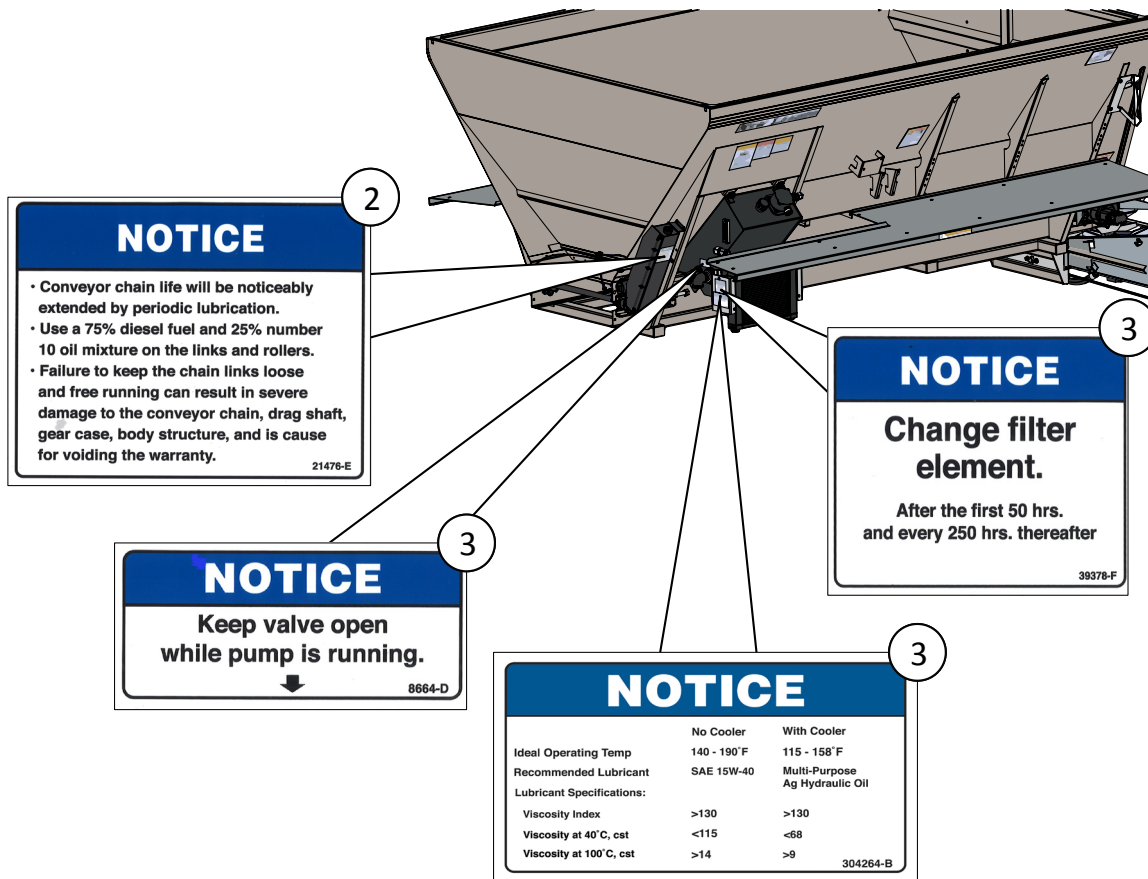
Before spreading material, spread pattern tests must be conducted to properly adjust the spread pattern. Refer to the "How to Check your Spread Pattern" manual for adjustment instructions. A spread pattern test kit is available from your New Leader dealer.

Wind, humidity, rain and other adverse weather conditions can affect spread pattern, resulting in uneven crop growth and loss of yields.

**THE MANUFACTURER OF THIS SPREADER WILL NOT BE LIABLE FOR MISAPPLIED MATERIAL DUE TO AN IMPROPERLY ADJUSTED SPREADER OR ADVERSE WEATHER CONDITIONS.**

It is recommended that spread pattern tests be conducted prior to each spreading season, after any spreader maintenance, and periodically during the spreading season. Spread pattern tests must be conducted whenever a new product is to be applied.





**2. NOTICE: CONVEYOR CHAIN LUBRICATION**

**To avoid machine damage and premature wear:**

- Conveyor chain life will be noticeably extended by periodic lubrication.
- Use a 75% diesel fuel and 25% number 10 oil mixture on the links and rollers.
- Failure to keep the chain links loose and free running can result in severe damage to the conveyor chain, drag shaft, gearcase and body structure, and is cause for voiding the warranty.

**3. NOTICE: HYDRAULIC RESERVOIR**

**To avoid machine damage:**

- Change the filter element after the first 50 hours of operation, and every 250 hours thereafter.
- Keep all reservoir valves open while the pump is running.
- See "Lubricant & Hydraulic Oil Specifications" in this manual for ideal operating temperatures.

# INSTALLATION

Recommended sequence of installation is:  
 Mounting of PTO and pump.  
 Installation of radar (if applicable)  
 Mounting of spreader.  
 Installation of controller.  
 Installation of chassis hydraulic hose and electrical wiring to spreader.  
 Installation of optional parts.  
 Filling of hydraulic reservoir and lubrication.  
 Checking for leaks and proper functioning.

## NOTICE

Pump and truck requirements must be determined prior to installation of the spreader.

### Hydraulic Requirements

Hydraulics		GPM (LPM) (Gallons/Liters per Minute)	Maximum Pressure (PSI)
L5034G4	Spinner	40 (151.4)	3100
	Conveyor	27 (102)	3400

HECO Pump Part Numbers	Pump CID	Theoretical Pump GPM (LPM) 100% Efficiency	Pump RPM
304428 (Front Section)	3.19	40 (151.4)	2875
304426 (Rear Section)	2.17	27 (102)	2875

### Truck Requirements

Before mounting the spreader on a truck, the following major questions must be considered:

1. Is the CA (Cab to Axle) dimension of the truck correct for the length of the spreader?

The Dimensions and Capacities chart in the operator's manual will assist in matching spreader to truck.

2. Is the truck's GAWR (Gross Axle Weight Rating) and the GVWR (Gross Vehicle Weight Rating) adequate to carry the fully loaded spreader?

Refer to your New Leader dealer to find the GAWR and GVWR for most trucks, and how to calculate the weight distribution on each axle and total loaded vehicle weight.

## Truck Frame Length

Refer to “Dimensions & Capacities” section in the operator’s manual for approximate length from the rear of the cab to the rear end of the frame. Shorten truck frame as necessary, making sure to follow truck manufacturer’s specifications so as not to void truck warranty.

**NOTICE!** Do not weld to truck frame; it may void truck warranty.

A level top surface is necessary for mounting. Add steel shim bars or strips the same thickness as fish plates or other obstructions and as wide as the truck frame channel top flange. Shims must be drilled to clear any rivet or bolt heads.

## Lifting the Spreader

### **WARNING**

Use only lifting devices that meet or exceed OSHA standard 1910.184 or ASME B30.20-2006. Never lift equipment over people. Never lift unit with anything or anybody in the body. Loads may shift or fall if improperly supported. Failure to comply with this requirement could result in death or serious injury.

### **CAUTION**

Do not use lifting device to free unit from a chassis, storage stands or frozen ground, or to lift the chassis in any way. Shock loading is prohibited and sudden accelerations should be avoided. Failure to follow this requirement may result in injury or machine damage.

Always inspect unit lift points for signs of wear, cracking, corrosion, gouges, alterations, or distortion.

Always use a sling, spreader bar, or lifting bar that attaches to the lifting points with a minimum of 60 degrees from horizontal. It is preferable to use an “H” style lifting bar that keeps the attaching chains in a near vertical orientation as shown in Figure 1. Operators of lifting devices must be qualified and knowledgeable in their use and application.

Position the chassis with adequate room around the unit. Work in an environment that permits clear communication to others nearby. Keep area clear of persons when loads are to be lifted and suspended. Do not allow the lifted load to come in contact with any obstruction.

Store units on a solid surface using appropriate storage stands when not installed.

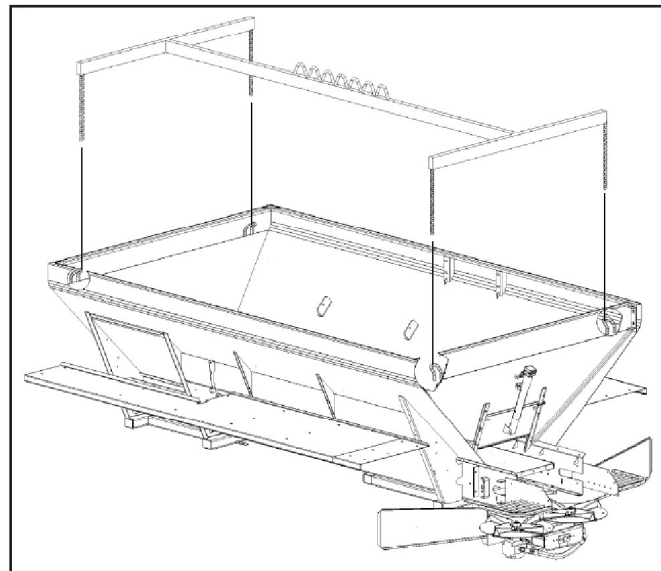


Figure 1 - Lifting Bar

## Installing Body

**CAUTION**

Be careful when drilling so as to not damage truck frame, fuel tank, or any other important components.

**NOTICE**

DO NOT WELD ON VEHICLE FRAME! Such welding can lead to fatigue cracking and must be avoided.

**NOTICE**

DO NOT PUT HOLES INTO TOP OR BOTTOM FLANGES—to do so may void truck manufacturer's warranty. When drilling holes in frame member, drill only through vertical web portions.

**NOTICE**

Connect welders ground directly to one of the items being welded anytime an arc welder is used on the vehicle or anything connected to the vehicle. Refer to Manufacturer's instructions.

**IMPORTANT!**

Disconnect electrical components from electrical system when welding on equipment to prevent component damage due to power surges or excessive current.

### Front Mount Angles

Assemble two front mounting angle springs and hardware. Use a 3/8" (10mm) shim between cross tube mounting plate and truck frame mounting angle. Position assembly under second cross tube from front and against truck frame, make sure springs do not contact cross tube. Mark position of mounting angle holes on truck frame. Drill 9/16" (14mm) holes where marked and install mounting assembly using 1/2" hardware supplied. Weld mounting plate to bottom of cross tube on three sides, and remove 3/8" (10mm) shim (Figure 2). Tighten spring assembly until spring compressed height is 4" (102cm). There should be a 3/8" (10mm) space between cross tube mounting plate and truck frame mounting angle (Figure 2). Repeat this procedure on other side of truck frame, on same cross tube.

NOTE: It may be necessary to mount front mounting angle springs on first cross tube on some vehicles due to obstructions such as spring shackles, etc.

### Center Mount Plates

Position center mounting plates at second cross tube from rear with slotted faces against truck frame and mark location of slots on truck frame. Drill 9/16" (14mm) diameter holes through truck frame, approximately (19mm) from bottom of slots (Figure 2). Weld mounting angle to bottom of cross tube on 3 sides (Figure 4). Install hardware and tighten to recommended torque.

### Rear Mount Angles

Position rear mounting angles with the slotted faces against the side of the truck frame and centered on rear cross sill. Mark slot locations on truck frame. Drill 9/16" (14mm) diameter holes through truck frame at bottom end of slots (Figure 3). Weld mounting angle to bottom of cross tube on three sides. Install hardware and tighten to recommended torque.

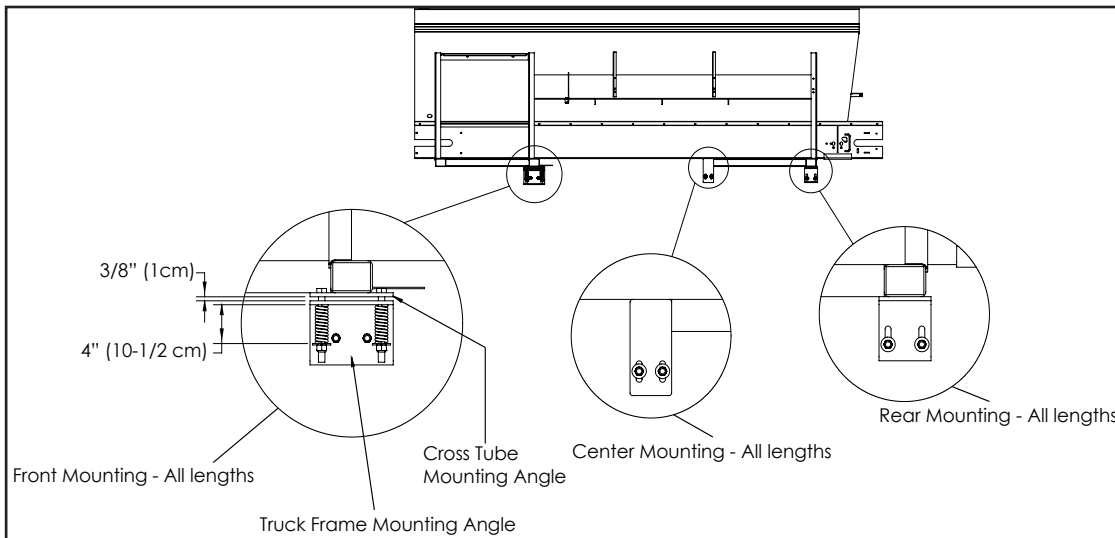


Figure 2 - Mounting Angle Installation - NL4500G4 Edge

## Securing to Frame

Install mounting angles and tighten mounting bolts to recommended torque. Weld mounting angles to spreader cross tubes by welding on front, outer and rear sides (Figure 3). Make sure welds between mounting angles and spreader cross tubes are sound full fillet welds. Center mounting angles on tubes (as shown in Figure 3) so full fillet welds can be made on three sides. An edge bead weld is not a satisfactory weld for this service. Use E70S rod/wire for carbon steel to carbon steel and 309 rod/wire for carbon steel to stainless steel. Use 309 rod/wire to weld stainless steel to stainless steel.

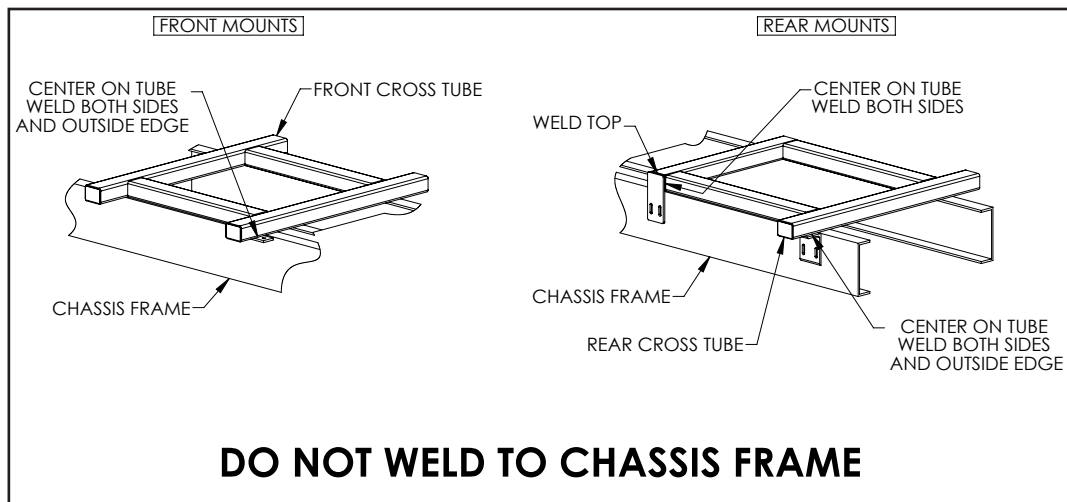
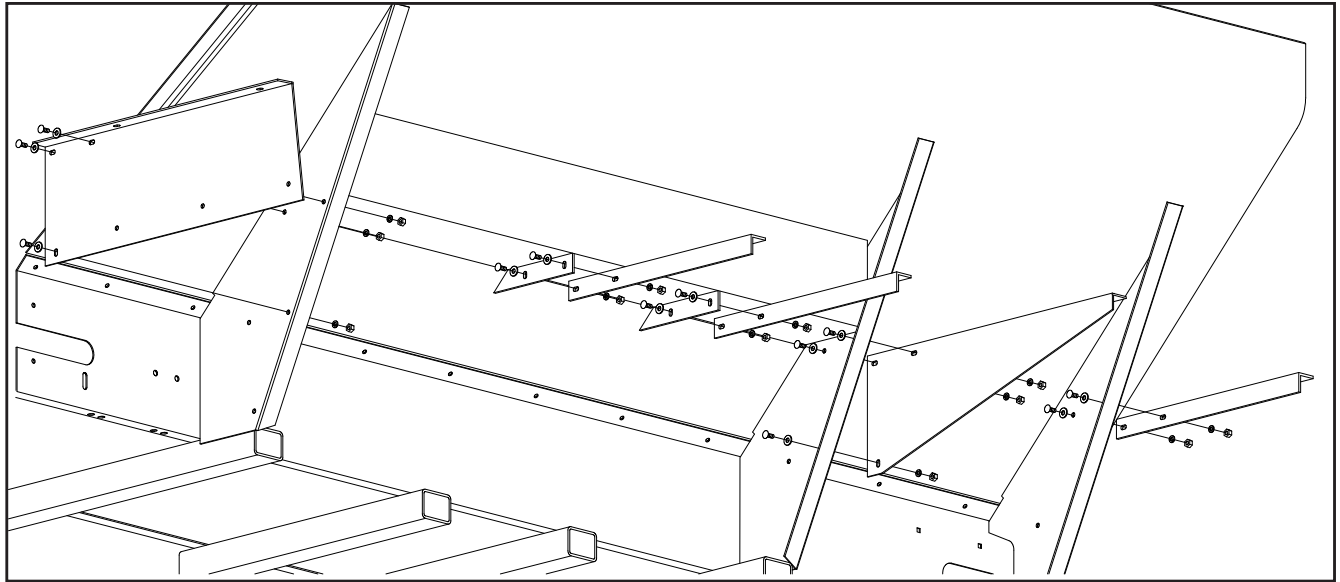
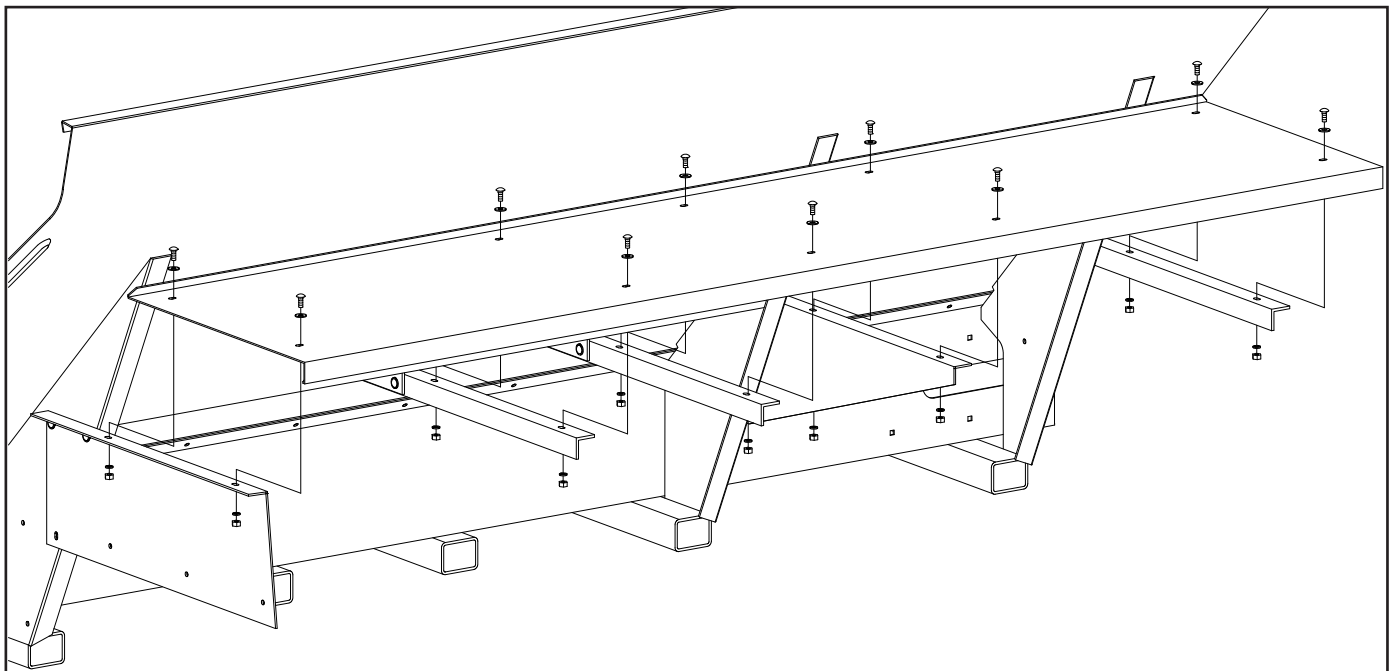


Figure 3 - Welding Instructions

**Fender Installation**

\*Figure 4 - Fender Angle Installation



\*Figure 5 - Fender Installation

\* - Fenders may not be as shown

Attach fender angles and panels on spreader body stakes as shown in Figure 4. Do not tighten hardware at this time.

Attach fenders on top of angles/panels as shown in Figure 5. Tighten all hardware.

## Hydraulic Hose Installation

### CAUTION

Do not overtighten a threaded connection, the fitting or housing into which the fitting is placed could be distorted and an unstoppable leak could occur. Failure to follow this requirement may result in injury or machine damage.

### WARNING

Do not use one manufacturer's hose with another manufacturer's fittings! Such will void any warranty and may cause premature burst or leak of hydraulic fluids! Failure to comply with this requirement could result in death or serious injury.

Determine pressure port of pump. Install pressure hose into this port as shown in Figure 7. Connect suction hose to opposite port and to tank outlet on hydraulic tank. Use plastic tie straps as necessary to support hoses so they will not catch on field obstructions or contact hot or moving parts.

## Hydraulic Pump Installation

HECO pumps are direct mount. See "Pump Hydraulics" in the spreader parts manual for assembly instructions.

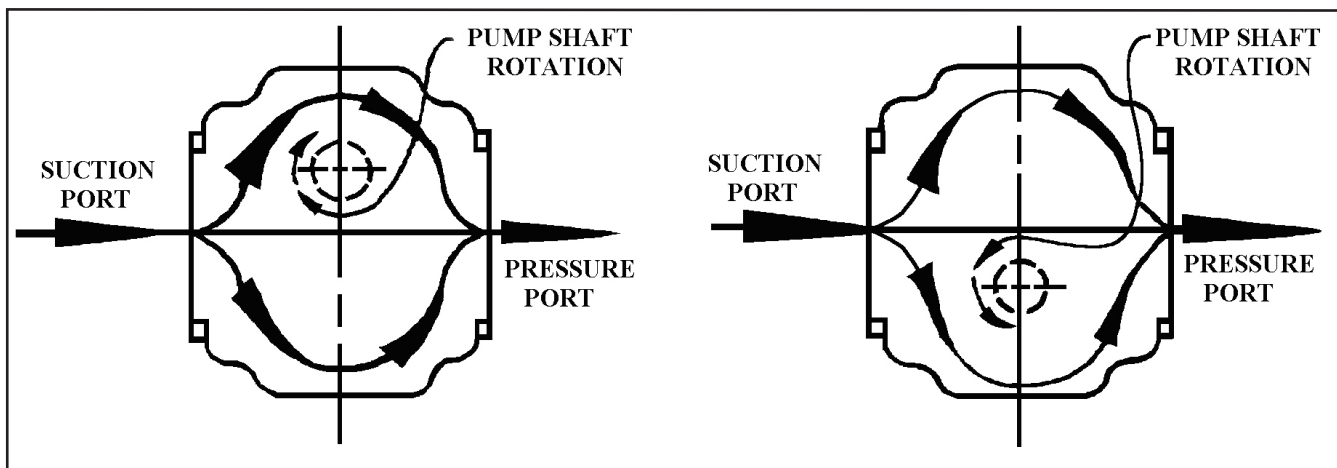


Figure 7 - Hydraulic Pump Installation

Use thread sealer on all NPT fittings. When using thread sealer, do not put it on the first three threads of the fitting. Too much on the fitting or on the first three threads will force it into the oil stream where it could damage the system.

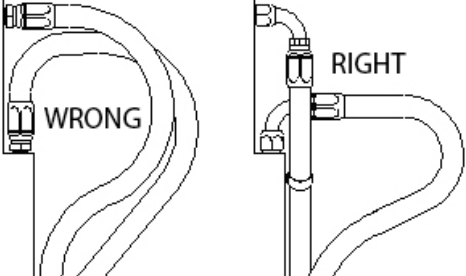
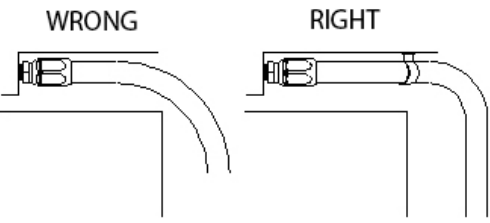
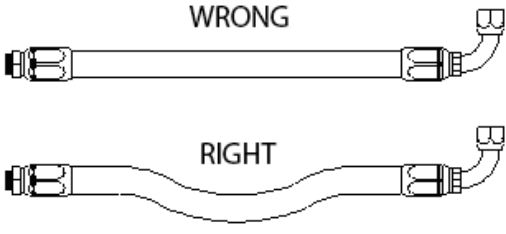
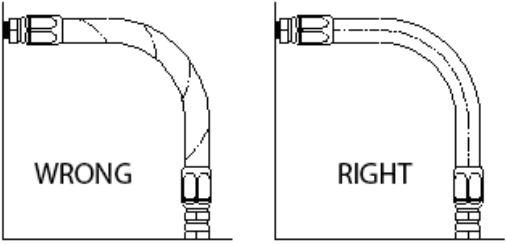
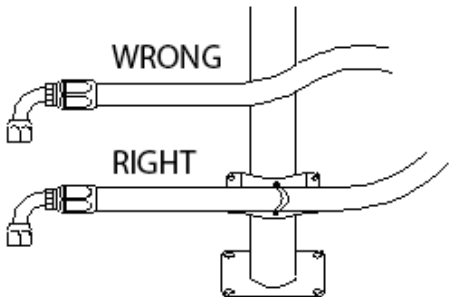
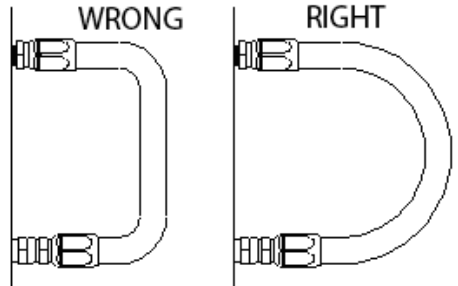
Assemble system as shown in "Hydraulics" parts list in the parts manual. Place hose clamps as needed to keep hoses away from hot or moving parts. Do not let hoses hang so low as to be snagged. Do not stretch hoses tight.

Hydraulic hoses are as follows:

- Pressure Line: High pressure hose supplied by dealer. Hose must have minimum pressure rating that corresponds to the maximum pressure setting of the hydraulic system. Refer to "Hydraulic Requirements" on page 19.
- Suction Line: Suction hose supplied by dealer. Hose must meet or exceed SAE 100R4 requirements.



**Hydraulic Hose Installation Guide**

	
<p>1. Use elbows and adapters in the installation to relieve strain on the assembly, and to provide easier and neater installations that are accessible for inspection and maintenance. Remember that metal end fittings cannot be considered as part of the flexible portion of the assembly.</p>	<p>2. Install hose runs to avoid rubbing or abrasion. Clamps are often needed to support long runs of hose or to keep hose away from moving parts. It is important that the clamps be of the correct size. A clamp that is too large will allow the hose to move in the clamp causing abrasion at this point.</p>
	
<p>3. In straight hose installations allow enough slack in the hose line to provide for changes in length that will occur when pressure is applied. This change in length can be from +2% to -4%.</p>	<p>4. Do not twist hose during installation. This can be determined by the printed layline on the hose. Pressure applied to a twisted hose can cause hose failure or loosening of the connections.</p>
	
<p>5. Keep hose away from hot parts. High ambient temperature will shorten hose life. If you cannot route it away from the heat source, insulate it.</p>	<p>6. Keep the bend radii of the hose as large as possible to avoid hose collapsing and restriction of flow. Follow catalog specs on minimum bend radii.</p>

(Used with the permission of The Weatherhead Company.)

## Filling Hydraulic System

**NOTICE** DO NOT attempt to run pump without first filling hydraulic reservoir and opening suction line valve, or damage to pump may occur.

Fill reservoir with hydraulic oil as specified in the "Lubrication and Maintenance" section in the operator's manual. Be sure oil is clean, free from dirt, water and other contaminants.

Lubricate all points necessary per Lubrication Chart in "Lubrication and Maintenance" section of operator's manual.

## Electrical Connections

Connect all electrical control circuits. All wiring should be approved automotive insulated wire, supported adequately with insulating ties or straps, and located where it will not interfere with any control or access. Make sure wiring does not contact any moving parts or sharp edge and is kept away from any hydraulic line or any heated part.

## Light Installation

**WARNING** All holes in truck cab walls, floor and firewall are to be grommeted, plugged and sealed to prevent entrance of engine fumes, dust, dirt, water and noise. Failure to comply with this requirement could result in death or serious injury.

Light installation must comply with all applicable requirements prescribed by FMVSS/CMVSS 108, ASABE S279, state and local regulations. See "Lights" parts page in the operator's manual for illustrations if applicable.

This page is intentionally left blank.

This page is intentionally left blank.

**OPERATIONS  
&  
MAINTENANCE**

## Operations & Maintenance

### General Description

The L5034G4 is a hopper type spreader intended for spreading feedlot manure, waste water sludge, industrial waste, paper mill waste, compost, marl, poultry litter and fly ash. It is intended for truck chassis or flotation vehicle mounting.

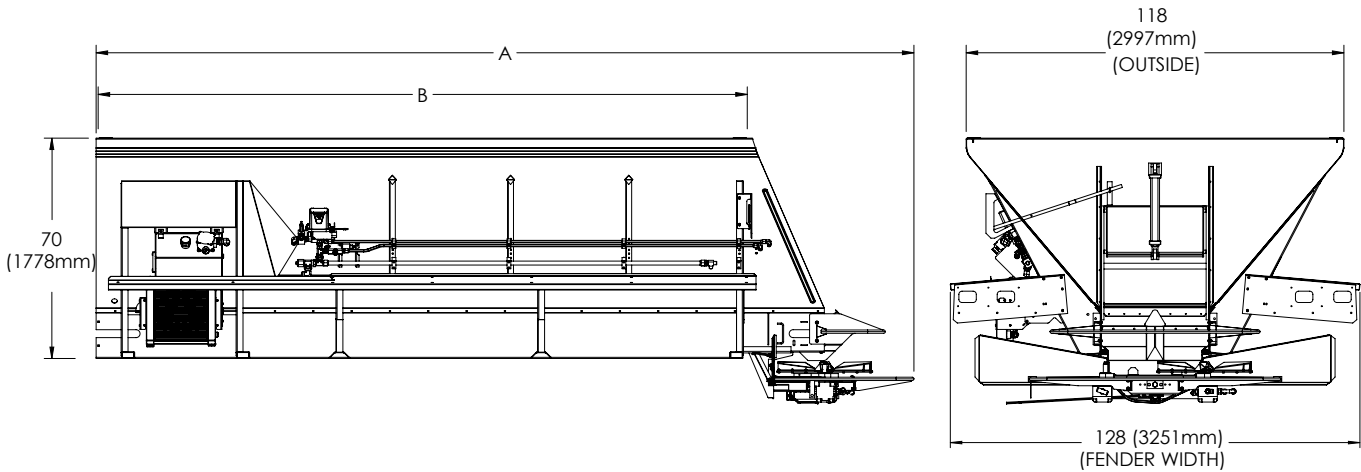
The unit is hydraulically powered and provides independent variable speed control for the spinner and full automatic ground speed control for the conveyor. Tandem gear type hydraulic pumps provide the power and are driven by a transmission PTO.

The 34" wide (86 cm) conveyor runs the full length of the hopper bottom to deliver material to the spinners through a hydraulically adjustable metering gate at the rear of the hopper body. A feedgate sight gauge allows monitoring of the feedgate opening from the cab. The conveyor is driven by dual 6-to-1 ratio spur gear cases, each driven by a orbital type hydraulic motor.

Three conveyor options are available: pintle type chain joined by cross bars every third link (#1), every other link (#2), or every link (#3).

The distributor spinner assembly has two 30" (76cm) diameter discs. Each disc has the option of four or six formed and heat treated fins that are adjustable to radial angle. The spinner is fully adjustable by means of a rotating handle.

This product is intended for commercial use only.



Unit Length	Overall Length A	Body Length B	Frame Length C	Cab to Axle or Cab to Tandem CA/CT
13'	196" (4978mm)	144" (3658mm)	147" (3734mm)	108" (2743mm) CA
14'	208" (5283mm)	156" (3962mm)	159" (4039mm)	114" (2896mm) CA
16'	232" (5893mm)	180" (4572mm)	183" (4648mm)	138" (3505mm) CA/ 120" (3048mm) CT
18'	256" (6502mm)	204" (5182mm)	207" (5258mm)	153" (3886mm) CA/ 144" (3658mm) CT
21'	292" (7417mm)	240" (6096mm)	243" (6172mm)	188" (4775mm) CA/ 162" (4115mm) CT

Unit Length	Struck Capacity Cu Ft (Cu M)	Approximate Weight Pounds (kilograms)
13' (3.96 m)	361 (10.2)	5200 (2359)
14' (4.27 m)	392 (11.1)	5600 (2540)
16' (4.88 m)	453 (12.8)	6400 (2903)
18' (5.49 m)	515 (14.5)	7200 (3266)
21' (6.40 m)	608 (17.2)	8400 (3810)

**⚠ WARNING** Stand clear of moving machinery. Failure to comply with this requirement could result in death or serious injury.

NOTE: Do not load spreader with material.

1. Check entire unit to make sure all fasteners are in place and properly tightened per "Standard Torques" in this manual.
2. Make sure no other persons are in vicinity of spreader.
3. Make sure no loose parts are in unit or on conveyor or spinner.
4. Check oil level in hydraulic reservoir; fill as necessary. Refer to "Lubricant & Hydraulic Oil Specifications" in this manual for proper oil. Completely open reservoir valves as necessary.
5. Start engine and turn on hydraulics. Run hydraulic system to bring oil up to operating temperature.
6. Run spinner only at 300RPM. Allow to run until spinner is operating smoothly and all air has been purged from system.
7. Run conveyor at 20RPM and spinner at 300RPM. Run until conveyor is operating smoothly.
8. Run conveyor at 20RPM and spinner at 700RPM. Allow both conveyor and spinner to run until operating smoothly.
9. Run conveyor at 0RPM and spinner at 0RPM. Make sure both conveyor and spinner do not move.
10. Calibrate spreader as defined in the manual for the controller that is supplied with your machine.
11. Complete spread pattern test per "Spread Pattern Testing" in this manual.
12. Shut system down.

**⚠ WARNING**

DO NOT check leaks with hands while system is operating as high pressure oil leaks can be dangerous! If skin is pierced with hydraulic fluid at high pressure seek immediate medical attention as fluid injected into the skin could cause gangrene if left untreated. Relieve pressure before disconnecting hydraulic lines or working system. Make sure all hydraulic fluid connections are tight and all hydraulic hoses and lines are in good condition before applying pressure to the system. Wear protective gloves and safety glasses or goggles when working with hydraulic systems. Failure to comply with this requirement could result

**⚠ WARNING**

DO NOT check for leaks adjacent to moving parts while system is operating as there may be danger of entanglement! Failure to comply with this requirement could result in death or serious injury.

13. Check all connections in hydraulic system to make sure there are no leaks.
14. Check hydraulic oil reservoir and refill to maintain level at mid-point of gauge.



The following procedure is a guide:

NOTE: Do NOT fill spreader with material

1. Field test over any suitable course which allows vehicle to be driven at speeds to be used while spreading.
2. Ensure unit has been properly serviced, that the hydraulic reservoir is full and gate valve under reservoir is fully open as applicable. Do not load spreader.
3. Run spinners at 500 RPM.

**⚠ WARNING**

Take proper safety precautions when observing conveyor and spinner speed while vehicle is in motion! These may include use of suitable mirrors clamped to permit observation by a safely seated observer, following the spreader in another vehicle at a safe distance, or other suitable means. Do not stand on fenders, in body or on any part of spreader as there is danger of falling off the vehicle or into moving parts! Use great care in performing this test! Failure to comply with this requirement could result in death or serious injury.

Start engine. Turn control to "on" position. Engage hydraulics and allow to run at fast idle long enough to bring hydraulic oil up to operating temperature. Spinners should revolve at moderate speed and the conveyor should not move.

Refer to controller's operation manual for conveyor operating instructions.

Set program to operational mode and begin forward travel. Move conveyor switch to "on" position. Conveyor should start immediately when vehicle moves and should continue to run at speeds which should vary directly with the vehicle's ground speed; the conveyor should speed up as vehicle speed increases and slow down as vehicle speed reduces. Spinner speed should remain constant when engine speed is above minimum operating range.

1. Make sure unit has been properly serviced and is in good operating condition. It is highly recommended to run the spreader prior to loading material to ensure acceptable operation.
2. Program controller with correct data for material(s) and application.
3. Adjust feedgate to appropriate setting.
4. Adjust spinner to give spread pattern desired. Calibrate and spread pattern test for any new material.
5. Fill applicable bins with material to be spread.
6. Engage hydraulics.
7. Begin spreading.

## CAUTION

Drive only at speeds which permit secure control of vehicle! Failure to follow this requirement may result in injury or machine damage.

## NOTICE

Change hydraulic oil filter after first week (or not more than 50 hours) of operation on a unit.

\*Visit [newleader.highwayequipment.com/calculators/yield-output](http://newleader.highwayequipment.com/calculators/yield-output) for interactive tools to calculate yield, proper feedgate opening, conveyor revolutions per minute and mph to maximize the performance of your spreader.

## Preventative Maintenance Pays!

The handling and spreading of commercial fertilizers is a most severe operation with respect to metal corrosion. Establish a frequent, periodic preventative maintenance program to prevent rapid deterioration to spreading equipment. Proper cleaning, lubrication and maintenance will yield longer life, more satisfactory service and more economical use of your equipment.

### **⚠ WARNING**

Shut off all power and allow all moving parts to come to rest before performing any maintenance operation. Failure to comply with this requirement could result in death or serious injury.

## Hydraulic System

Proper oil in the hydraulic system is one of the most important factors for satisfactory operation. Utmost cleanliness in handling the oil cannot be stressed enough. Keep hydraulic oil in original closed containers, clean top of container before opening and pouring, and handle in extremely clean measures and funnels.

Check hydraulic oil level and filter condition regularly.

Refer to "Lubricant and Hydraulic Oil Specifications" for selection of the proper hydraulic fluid for use in the hydraulic system.

### **⚠ WARNING**

DO NOT check leaks with hands while system is operating as high pressure oil leaks can be dangerous! If skin is pierced with hydraulic fluid at high pressure seek immediate medical attention as fluid injected into the skin could cause gangrene if left untreated. Relieve pressure before disconnecting hydraulic lines or working system. Make sure all hydraulic fluid connections are tight and all hydraulic hoses and lines are in good condition before applying pressure to the system. Wear protective gloves and safety glasses or goggles when working with hydraulic systems. Failure to comply with this requirement could result in death or serious injury.

### **⚠ WARNING**

DO NOT check for leaks adjacent to moving parts while system is operating as there may be danger of entanglement! Failure to comply with this requirement could result in death or serious injury.

Periodically inspect hydraulic hoses and fittings for leaks. Repair and replace components as necessary.

Check hydraulic oil daily by means of sight gauge on hydraulic reservoir. Add oil as necessary to maintain level around mid-point of sight gauge. Periodically inspect hoses and fittings for leaks.

### **NOTICE**

Change hydraulic oil filter after first week (or not more than 50 hours) of operation on a unit.

Controller will warn when filter is restricted. Change filter when warning sounds.

Drain hydraulic reservoir through drain plug (not through suction outlet), flush, and refill, and change filter element annually. Oil and filter should also be changed whenever oil shows any signs of breaking down under continued high-pressure operation. Discoloration of oil is one sign of breakdown.

## Hydraulic Hose

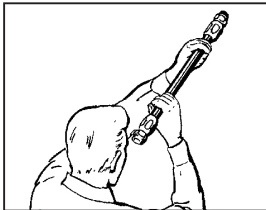
Hose assemblies in operation should be inspected frequently for leakage, kinking, abrasion, corrosion or other signs of wear or damage. Worn or damaged hose assemblies should be replaced immediately.

**▲ WARNING** Testing should be conducted in approved test stands with adequate guards to protect the operator. Failure to comply with this requirement could result in death or serious injury.



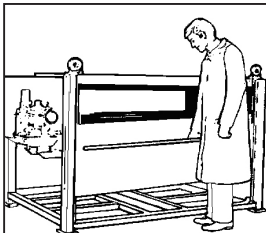
### Clean

Clean assembly by blowing out with clean compressed air. Assemblies may be rinsed out with mineral spirits if the tube stock is compatible with oil, otherwise hot water at 150°F (65.55° C) maximum may be used.



### Inspect

Examine hose assembly internally for cut or bulged tube, obstructions, and cleanliness. For segment style fittings, be sure that the hose butts up against the nipple shoulder; band and retaining ring are properly set and tight, and segments are properly spaced. Check for proper gap between nut and socket or hex and socket. Nuts should swivel freely. Check the layline of the hose to be sure the assembly is not twisted. Cap the ends of the hose with plastic covers to keep clean.



### Test

The hose assembly should be hydrostatically tested at twice the recommended working pressure of the hose. Test pressure should be held for not more than one minute and not less than 30 seconds. When test pressure is reached, visually inspect hose assembly for: 1. Any leaks or signs of weakness. 2. Any movement of the hose fitting in relation to the hose. Any of these defects are cause for rejection.

## Storage and Handling

Hose should be stored in a dark, dry atmosphere away from electrical equipment, and the temperature should not exceed 90° F (32° C).

## Conveyor Chain

**▲ WARNING** Stay out of the spreader. If it's necessary to enter the hopper, return to the shop, empty body, turn off all power, set vehicle brakes, lock engine starting switch and remove keys before entering. Tag all controls to prohibit operation. Tags should be placed, and later removed, only by person working in the body. Failure to comply with this requirement could result in death or serious injury.

Hose down unit and remove any material build-up on sprockets and under chain.

**NOTICE** The conveyor will move away from the bottom panel if material accumulates under the conveyor or on the sprockets. The more material that accumulates, the closer the chain will come to the chain shields. If the conveyor should catch a chain shield, it could permanently damage the conveyor, the chain shields or the unit. Do not remove material while conveyor or spinner is running!

## Lubrication

Make sure unit is clean and completely dry. Lubricate conveyor chain at the end of each day of usage using a mixture of 75% diesel fuel and 25% SAE 10 oil. Shut down spinner and run conveyor at 20 RPM for two full revolutions to lubricate chain. After each unit washing, allow to dry, then lubricate.

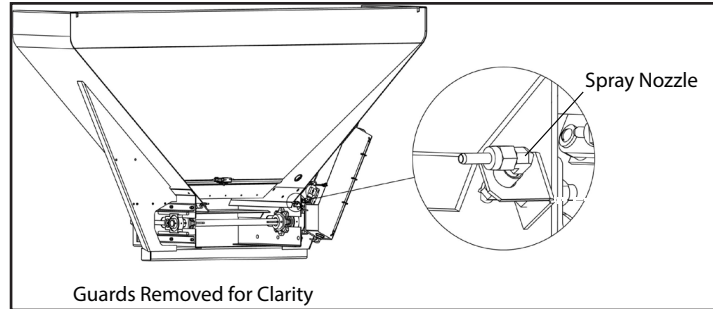


Figure 1 - Spray Nozzle

Lubricate chain through two full revolutions. After each unit washing, allow to dry, then lubricate.

Before filling the unit with spreading material, activate the controller or power switch to run the pump oiler. Bleed all air from the lines and adjust the two spray nozzles so that the oil mixture sprays vertical onto the sprockets and chain.

**NOTICE** Do not allow lubricants to contact belting as they will cause the belt to deteriorate and fail prematurely.

## Tension

**NOTICE** Over-tensioning of conveyor chain will lead to excessive load on the system, causing excessive chain and sprocket wear and can cause extremely high starting pressures. Under-tensioning allows conveyor chain to “wrap” around drive sprockets and not exit sprocket freely, causing excessive excessive chain stretch and surging of the conveyor which will result in interrupted flow of material to the spinners.

**WARNING** Keep hands, feet, hair and clothing away from moving parts while system is operating as there may be danger of entanglement! Failure to comply with this requirement could result in death or serious injury.

Proper chain tension is also a factor in chain and sprocket life. This adjustment is made by turning the idler screws on each side of the unit at the front idler bearings. See Figure 2. Loosen the idler jam nut (A) and turn the idler adjustment screw (B) to adjust tension. Turn clockwise to increase tension and, turn counterclockwise to decrease tension. Adjust idlers equally on each side. Measure from rear of sill to point where conveyor chain contacts bottom flange of sill. Verify that measurements on both sides of conveyor are equal and within specified range. See Figure 3.

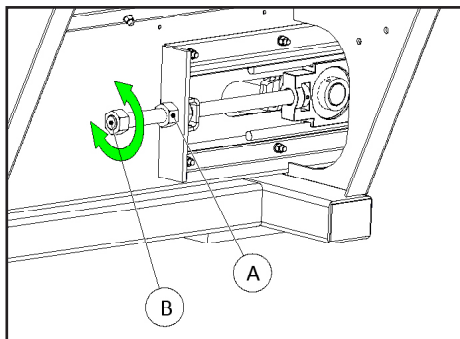


Figure 2

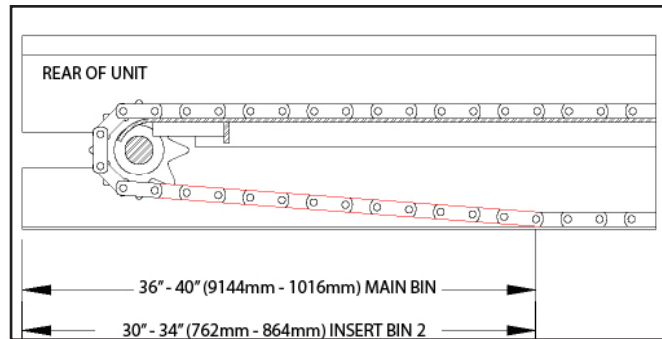


Figure 3

## Conveyor Gearcase

### **▲ WARNING**

Exposure to lubricant grease and oil, or hydraulic oil can cause personal injury. Do not allow these products to remain in contact with the skin or eyes. Ingestion of these products or inhalation of fumes from these products can cause dizziness, nausea, vomiting, or poisoning. If exposure to any of these products occurs, or if any of these products are ingested or if fumes are inhaled, please consult the product's SDS for proper first aid or medical procedures. Failure to comply with this requirement could result in death or serious injury.

Drain oil in a new unit after first two weeks (or not more than 100 hours) of operation, and flush gear case thoroughly with light oil. Refer to "Lubricant and Hydraulic Oil Specifications" section for proper grade oil and recommended amounts of lubricant. After initial change, oil should be changed every 2,000 hours of operation or annually, whichever occurs first. Check gearcase oil level monthly.

## Bin Sensor

### **▲ WARNING**

Stay out of the spreader. Do not climb on spreader. Use a portable ladder to inspect, clean and maintain the bin sensor from outside the spreader. Failure to do so could result in injury from falling.

### **NOTICE**

Wipe sensor clean periodically to prevent accumulation of product. Avoid wet material as it may stick to sensor. If material sticks to sensor it won't warn user when bin is low.

Clean sensor with long handled brush or hose from outside of spreader. Do not aim high pressure sprayer directly at sensor—it could damage the components.

## Lubrication of Bearings

Grease in a bearing acts to prevent excessive wear of parts, protects ball races, and balls from corrosion and aids in preventing excessive heat within the bearing. It is very important the grease maintain its proper consistency during operation. It must not be fluid and it must not channel.

Make sure all fittings are thoroughly cleaned before grease is injected. Points to be lubricated by means of a grease gun have standard grease fittings. Lubricate bearings by pumping grease slowly until it forms a slight bead around the seals. This bead indicates adequate lubrication and also provides additional protection against the entrance of dirt.

## Fasteners

Tighten all screws fasteners to recommended torques after first week of operation and annually thereafter. If loose fasteners are found at anytime, tighten to recommended torque. Replace any lost or damaged fasteners or other parts immediately. Check body mounting hardware every week.

## Clean-Up

### **NOTICE**

High pressure wash can inject water and/or fertilizer into control components, causing damage. Use caution when cleaning these areas.

Thoroughly wash unit every two to three days during the operating season to maintain minimal maintenance operation. Hose unit down under pressure to free all sticky and frozen material.

It is important the unit be thoroughly cleaned at the end of each operating season. All lubrication and maintenance instructions should be closely followed. Repaint worn spots to prevent formation of rust.

## NOTICE

The lubricant distributor and/or supplier is to be held responsible for results obtained from their products. Procure lubricants from distributors and/or suppliers of unquestionable integrity, supplying known and tested products. Do not jeopardize your equipment with inferior lubricants. No specific brands of oil are recommended. Use only products qualified under the following oil viscosity specifications and classification recommended by reputable oil companies.

### Hydraulic System

Use premium quality lubricants with 100-200 SUS or 20-43 cSt viscosity at operating temperatures. The hydraulic fluid's specifications in the table below are for normal operating conditions. Extreme environments or dirty conditions may require the use of different oils. Consult your New Leader dealer or the Product Support Department at Highway Equipment Company for systems operating outside normal conditions.

Ideal Oil Operating Temperature	115-158°F (46.11-70° C)
Recommended Premium Lubricant	Multi-Purpose Agriculture Hydraulic & Transmission Oil
Lubricant Specifications Viscosity Index Viscosity at 40°C, cst Viscosity at 100°C, cst	Greater than 130 Less than 68 Greater than 9
Acceptable Fluid Example	Mobil 424

### Gearcase Lubricant

Fill the gearcase with non-corrosive type extreme pressure (E.P.) gear oil conforming to MIL-L2105 B multi-purpose gear lubricating oil requirements (API Service GL 4) based on ambient temperatures listed below:

- Single Pinion: 1 Pint (.50 L)
- Dual Pinion: 1.5 Pints (.70 L)

Ambient Temperature	Oil Type
Below 40°F (4.4°C)	SAE 80 E.P.
40° - 100° F (4.4° - 38° C)	SAE 90 E.P.
Above 100° F (38° C)	SAE 140 E.P.

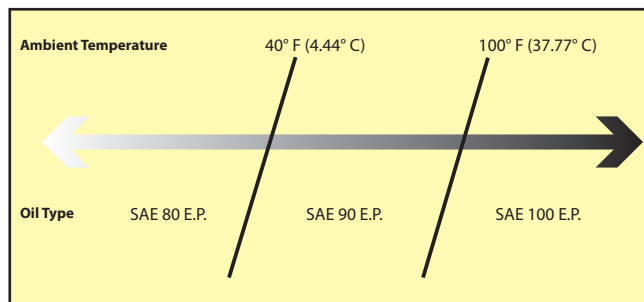


Figure 4

### Grease Gun Lubricant

Use a waterproof ball and roller bearing lithium base lubricant with a minimum melting point of 300°F (150° C). This lubricant should have a viscosity which assures easy handling in the pressure gun at prevailing atmospheric temperatures. The grease should conform to NLGI No. 2 consistency.

### Conveyor Chain Oiler

Use a 75% diesel fuel and 25% SAE 10 oil mixture on the links and rollers.

**⚠ WARNING**

Shut off all power and allow all moving parts to come to rest before performing any maintenance operation. Failure to comply with this warning could result in death or serious injury.

The spreader should be regularly lubricated with the lubricants recommended in this manual in accordance with the following chart:

Location	Places	Method	Frequency
<b>Transmission PTO</b>			
Slip Yoke	1	Grease Gun	Weekly
Universal Joint	2	Grease Gun	Monthly
<b>Hydraulic System</b>			
Reservoir	1		Check Daily. Change Annually
Filter	1	Check daily; Change when indicated (Red)	
<b>Conveyor</b>			
Grease Zerks - Dragshaft Bearings	2	Grease Gun	Weekly
Grease Zerks - Idler Shaft Bearings	2	Grease Gun	Weekly
Take-Up Screws	2	Hand Grease	Weekly
Gearcase	1	Gear Oil	Check Monthly; Change Annually
Conveyor Chain Strands	2	Oil Mixture	Daily
<b>Spinner</b>			
Grease Zerks - Shaft	2	Grease Gun	Weekly
Grease Zerks - Jack	2	Grease Gun	Weekly

NOTE: Unusual conditions, such as excessive dust, temperature extremes or excessive moisture may require more frequent lubrication of specific parts.

\*See "Lubricant and Hydraulic Oil Specifications" for types of lubricants and oil to be used.



This chart is to help determine which conveyor is best for specific applications. Find the closest description of the type of material to be spread.

- X indicates the preferred conveyor.
- O indicates a suitable alternative conveyor.
- NR indicates the conveyor and/or spreader is not recommended for the specified application.

The density provided was used to make the conveyor recommendation. If the density of the material to be spread is outside of those in the table, contact your New Leader dealer for the best conveyor for your application.

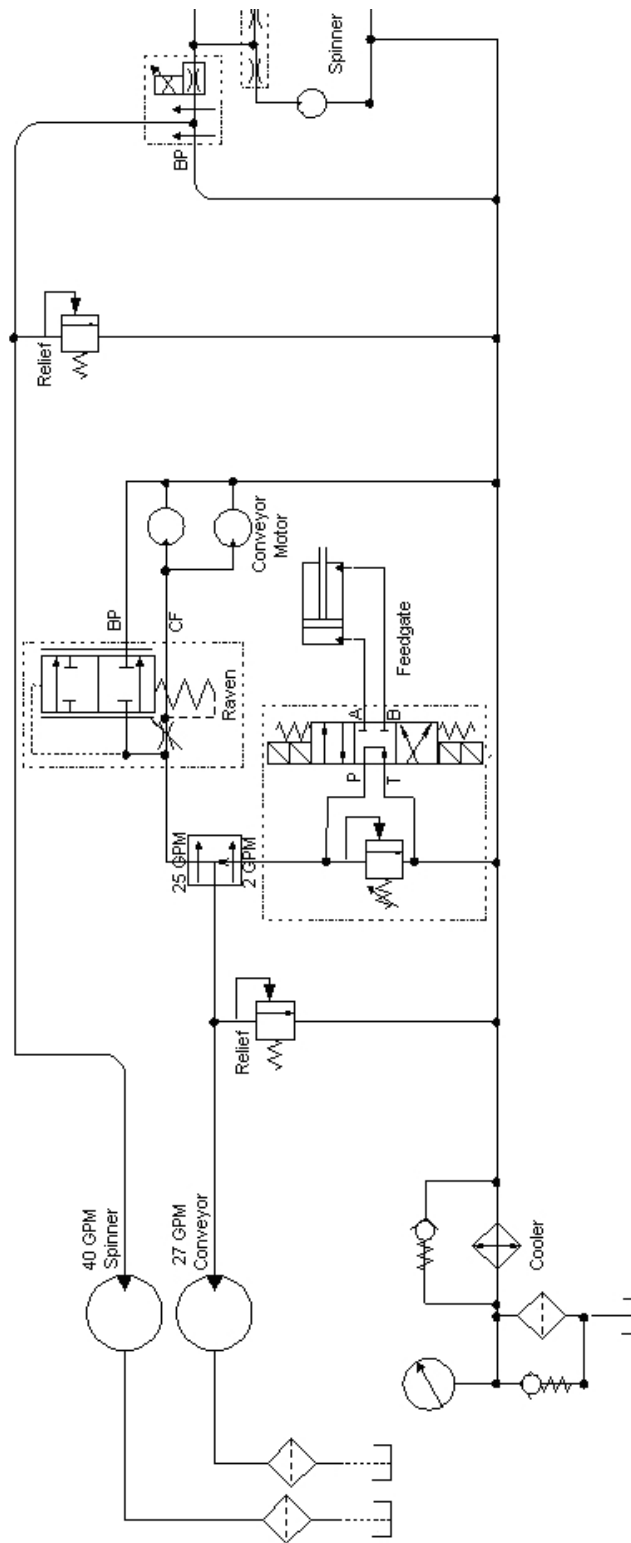
Product	Density lbs/ft <sup>3</sup> (kg/m <sup>3</sup> )	#1 Chain	#2 Chain	#3 Chain*
Poultry Litter	16 - 54 (256 - 865)	X	O	O
Waste Sludge	40 - 65 (641 - 1041)	X	O	O
Paper Pulp	approx. 42 (673)	X	O	O
Compost Cattle Manure	36 - 65 (577 - 1041)	X	O	O
Gin Trash	35 - 50 (561 - 801)	NR	O	X
Fly Ash**	38 - 45 (609 - 769)	NR	X	O
Gypsum**	65 - 80 (1041 - 1281)	NR	NR	NR
Lime**	80 - 100 (1281 - 1602)	NR	NR	NR
Sulfur**	80 - 100 (1281 - 1602)	NR	NR	NR
Fertilizer	Not Recommended	NR	NR	NR

\* - A #3 conveyor is not recommended for use with material that is greater than 25% moisture content. Wet material can slip on a #3 conveyor and may not flow to the feed gate.

\*\* - Trial and error is necessary to determine the spreader's maximum capacity for each material so as not to exceed the system pressures of the hydraulic system and stall the conveyor.

NOTE: Field experience has shown that payload capacity can be increased with the use of chain shields in some applications.

## Hydraulic Schematic



Spinner motors do not turn when spinner control valve is in running position or conveyor does not run when placed in "On" position. See reasons 1, 2, 3, 4, 6, 7, 8 & 9.

Spinners turn but conveyor does not run in manual mode. See reasons 5, 7, 9 & 10.

Console in operation mode, but the conveyor does not move when the machine moves. See reasons 5, 7, 9 & 10.

Spinner speed does not stay constant. See reasons 4, 8, 11, 12 & 13.

Spinners run with cab control in "Off" position. See reason 14.

Hydraulic oil overheats (200° F (93.33° C) or hotter). See reasons 1, 5, 8, 15, 16, 17 & 18.

Light flashes and buzzer sounds intermittently. Conveyor runs in jerks. See reasons 19.

Conveyor does not run with cab control "On", PTO engaged and vehicle driving forward. See reasons 20.

Conveyor runs when control switch in cab is in "Off" position. See reasons 15.

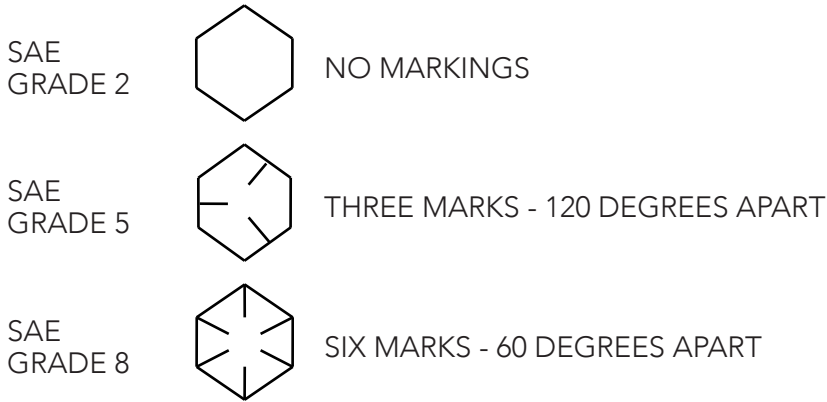
Conveyor starts to run when PTO is engaged. See reasons 15, 20.

Controller application or programming. Refer to the control manual's Troubleshooting section.

Reason:	Correction:
1. Hydraulic oil level low.	Add hydraulic oil to reservoir to maintain level around mid-point of sight gauge.
2. Shut Off valve on oil reservoir not open.	Open valve fully by turning counter clockwise until it stops.
3. Hydraulic Pump is not rotating.	<ol style="list-style-type: none"> <li>1. PTO is disengaged. Shift into engagement.</li> <li>2. Drive line has failed. Repair or replace.</li> <li>3. Key in pump shaft has failed. Replace key.</li> <li>4. U-joint pin or key has failed. Replace pin or key.</li> </ol>
4. Worn pump.	With flow meter arranged to check relief valve setting above, open load valve fully. Read flow rate with truck engine running at max RPM. Close load valve until pressure reads 1000 PSI (69 bar). Flow rate should not decrease more than three (3) GPM. If flow loss is greater, replace pump.
5. Conveyor relief valve open to return line.	Using relief valve testing adapter and flow meter, test valve for opening pressure. If not 3100 PSI (214 bar), replace relief valve.
6. Jammed or frozen spinner motors.	Free up. If not possible, replace as required.
7. Jammed or frozen conveyor.	Free up conveyor.
8. Defective radar.	Check speed on console. Repair or replace radar as required.
9. Control processor's power is in "Off" position.	Turn on control processor.

Reason:	Correction:
10. In line relief valve set too low.	In line relief valve pressure should be 3100 PSI (214 bar). Set spinner control valve to "0". Disconnect pressure line, coming from rear port on spinner control valve, at control. Reconnect this line to flow meter inlet port. Disconnect return line from control where it joins the return tube running to the reservoir. Connect flow meter load valve to return tube. Open load valve fully, run truck engine at max RPM. Slowly close load valve until pressure reaches 3100 PSI (214 bar). If this pressure cannot be reached, set up relief valve adjustment until gauge reads 3100 PSI (214 bar). <b>CAUTION:</b> Do not set pressure above 3100 PSI (214 bar).
11. Jammed or frozen conveyor hydraulic motor.	Replace motor.
12. Conveyor hydraulic motor shaft key sheared.	Replace key.
13. Pump speed is not adequate to provide sufficient flow to maintain spinner speed.	Increase engine speed or resize hydraulic pump to meet system requirements.
14. Insufficient hydraulic oil flow at normal driving speeds.	Check PTO-Pump matching. If insufficient flow results, install higher percent PTO or use larger pump (Special).
15. Defective spinner control valve.	Replace valve metering spool spring. If no improvement, replace spinner control valve.
16. Cab control is for conveyor only—spinners run anytime vehicle engine is running, PTO is engaged and spinner control valve is in a running position.	None required. This is a normal condition. To stop spinners, set spinner control valve at "O" position, disconnect PTO, or shut off vehicle engine.
17. Excessive oil is being pumped.	<ol style="list-style-type: none"> <li>1. PTO percentage too high. Change PTO to smaller percentage or use smaller pump.</li> <li>2. Pump is too large. Do not exceed 40 GPM (151 LPM) pumping rate. Change to smaller pump or use smaller percentage PTO.</li> <li>3. Pressure drop in control valve is sufficient to run lightly loaded conveyor motor. Shut off pump drive by disengaging PTO shaft.</li> </ol>
16. Worn motor (spinner or conveyor).	Motor heats up at an excessive rate (check for this heating when system is cold). Replace motor.
17. Improper or deteriorated hydraulic oil.	Replace hydraulic oil with proper specification oil and replace filter.
18. Pinched or obstructed hose, hydraulic line or fitting.	Clear obstruction or replace part. Straighten kinked hoses.
19. Driving too fast for application rate.	Shift truck transmission to a lower gear. Will not normally occur if within maximum application rates.
20. Involves the controller.	Refer to control manual.

CAP SCREW GRADE IDENTIFICATION - MARKINGS ON HEAD



USE GRADE 2 TORQUES FOR STAINLESS STEEL FASTENERS AND CARRIAGE BOLTS.

CAP SCREW SIZE	TORQUE - FOOT-POUNDS					
	GRADE 2		GRADE 5		GRADE 8	
	DRY	LUBE	DRY	LUBE	DRY	LUBE
1/4"	5	4	8	6	12	9
5/16"	11	8	17	13	25	18
3/8"	20	15	30	23	45	35
7/16"	30	24	50	35	70	55
1/2"	50	35	75	55	110	80
9/16"	65	50	110	80	150	110
5/8"	90	70	150	110	220	170
3/4"	100	120	260	200	380	280
7/8"	140	110	400	300	600	460
1"	220	160	580	440	900	650

**CONTROLLER**

## Introduction

ISOBUS is a protocol standardizing communication between chassis, displays, farm management software, and implements. Adhering to ISO 11783 standards, ISOBUS allows chassis and implements of different colors to share information through a common display. The use of ISOBUS technology allows the end user to minimize the number of necessary monitors in the cab of the chassis, while still enabling full functionality of the implements. The data displays the same way on any monitor.

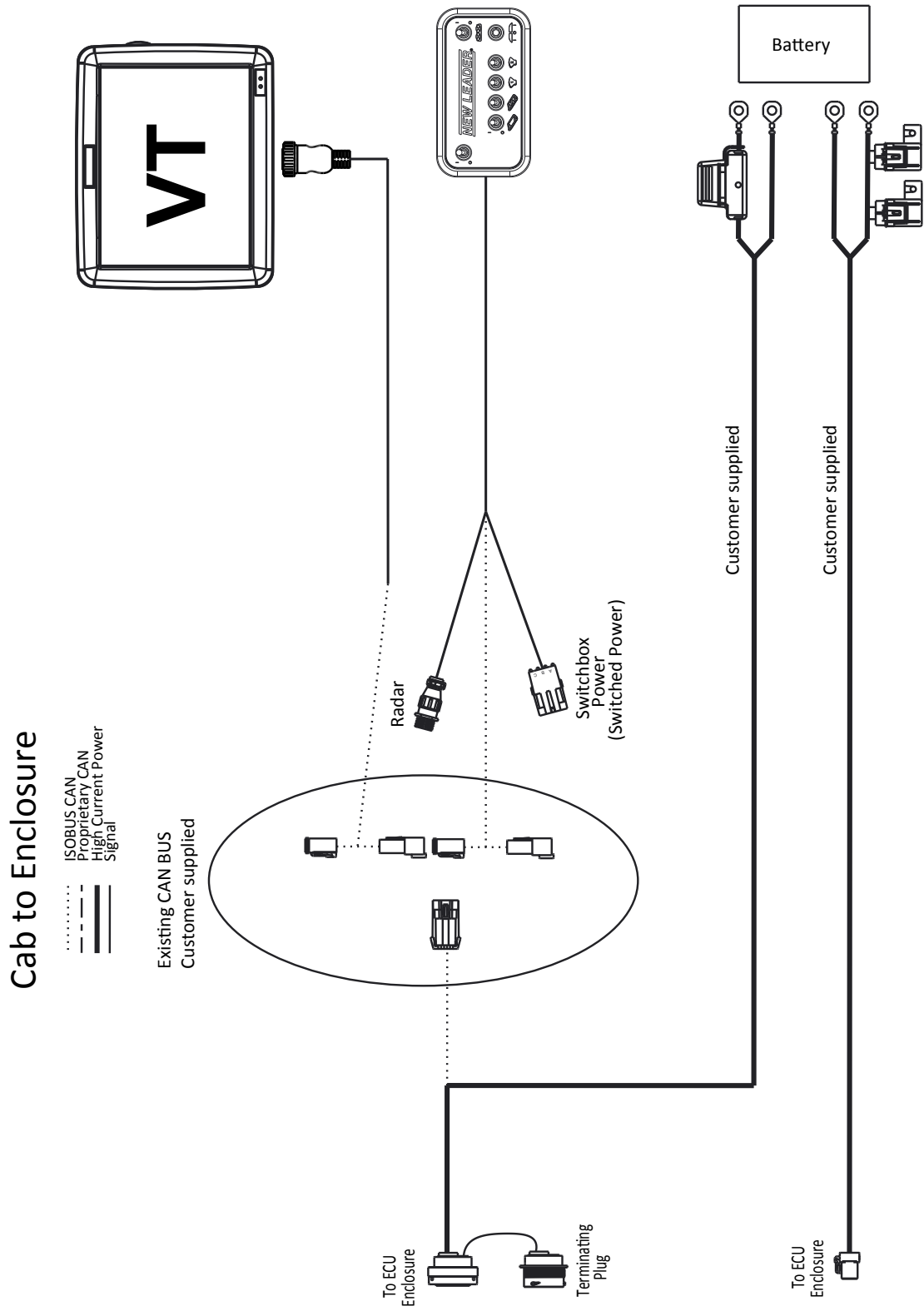
## How the ISOBUS Works

The BUS is a distinct set of conductors designed to carry data and control signals within a system of parallel connected equipment. Information from the equipment modules is transmitted through the BUS to a Virtual Terminal (VT) in the cab. The Virtual Terminal (VT) uploads a User Interface (UI) which feeds into any Display Monitor. From one Display Monitor, the user can read information and make control changes to the implement(s). Since everything is virtual, multiple implements can be controlled with one monitor by switching back and forth between different VT's.

## Terminologies

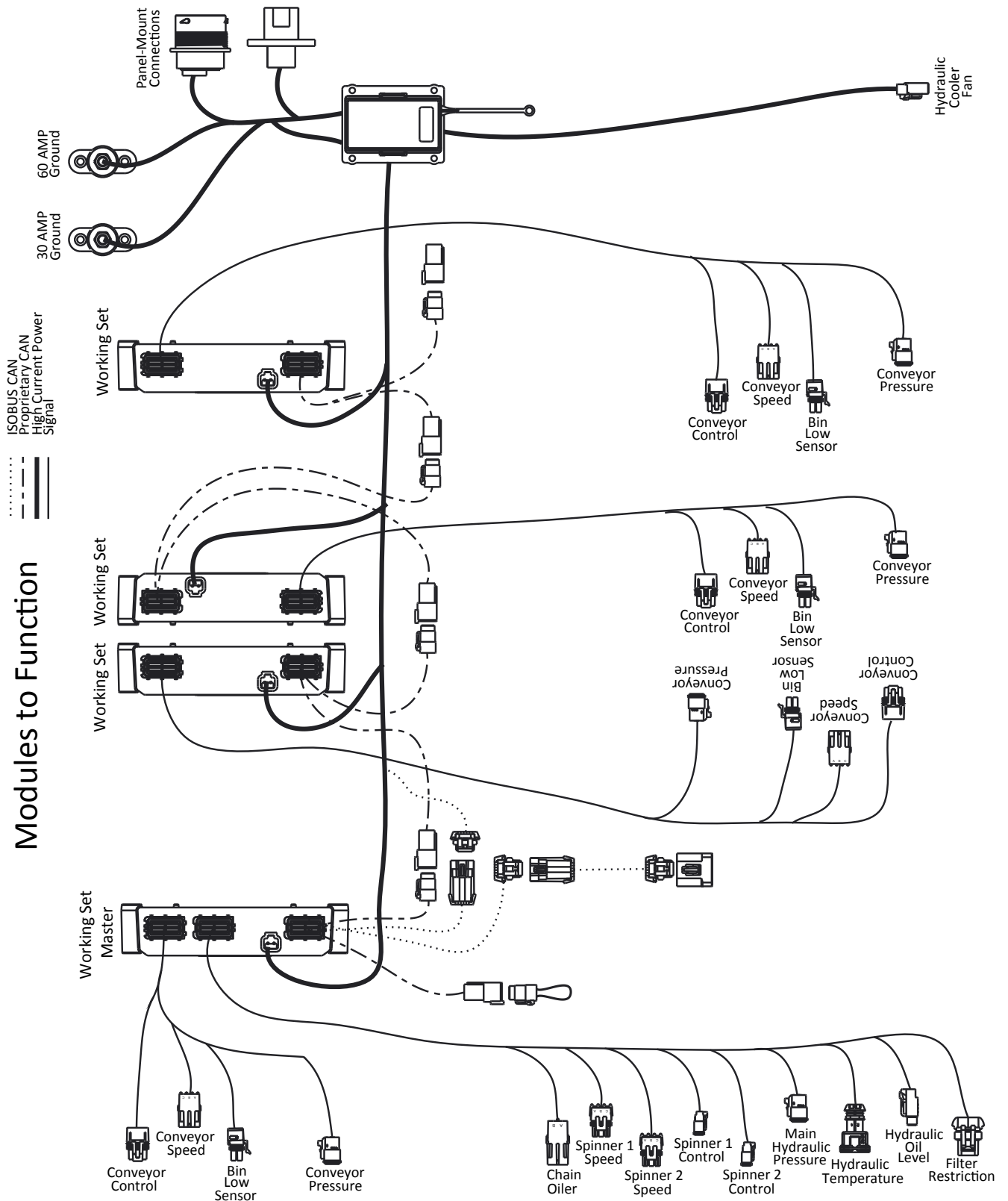
- ISOBUS - An electronic communications network used on agricultural and forestry equipment that adheres to the ISO 11783 standards.
- VT (Virtual Terminal) - The electronic interface that resides within the system, rather than on the Display Monitor. By being virtual, the information will display consistently the same on any monitor being used.
- UI (User Interface) - The displayed information and controls the user interacts with on the Display Monitor to make any necessary changes to implement performance.
- ECU (Electronic Control Unit) - New Leader module that controls specific functions of the implement and is attached to the BUS.
- Task Controller - A crucial software component that resides within the Virtual Terminal and is required to provide support for Data Logging, Variable rate application via prescription maps, and on/off implement section control via AutoSwath.
- CANBUS - A CAN (Controller Area Network) BUS system is a vehicle bus standard that allows microcontrollers and devices to communicate with each other within a vehicle without a host computer.
- Display Monitor - The physical monitor used in the cab that communicates with the VT to run the implement(s) and display data from the operations.

## Cab to Enclosure Diagram





## Modules to Function Diagram



## Requirements

### System Requirements:

- Virtual Terminal version 3 that supports AUX-N functionality
- Task Control (Multi-product up to 4 bins)
  - TC-BAS
  - TC-GEO
  - TC-SC

### Function:

- VT will load New Leader UI and assign functions to in-cab switches.
  - Ability to track totals.
  - Ability to log as-applied maps and load prescription maps.
  - Ability to activate section control or AutoSwath.

## Navigation

To activate the New Leader Controller Interface, power up the monitor and activate the VT settings. For instructions on how to activate the VT, see the Manufacturer's Operations Manual for the specific monitor being used.

Activation of VT will bring up the New Leader Home Screen, also called the "Run Screen", as shown in Figure 1.

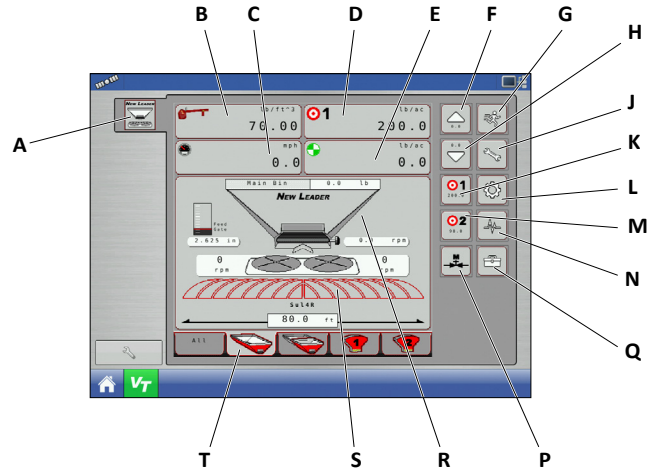


Figure 1 - Home Screen



















<b>A</b>		Spreader Operations	<b>K</b>		Target Rate 1
<b>B</b>		Density	<b>L</b>		Calibration
<b>C</b>		Speed Source	<b>M</b>		Target Rate 2
<b>D</b>		Target Rate	<b>N</b>		Diagnostics
<b>E</b>		Actual Rate	<b>P</b>		Manual Conveyor Mode
<b>F</b>		Increase Rate Value	<b>Q</b>		Tools
<b>G</b>		Run Screen	<b>R</b>		Bin/Gate settings
<b>H</b>		Decrease Rate Value	<b>S</b>		Spinner Settings
<b>J</b>		Settings	<b>T</b>		Bin Selection

Figure 2 - New Leader Home Screen

An on-screen Numeric Keypad is made available for changing configuration settings and calibration numbers. Press the keypad button to access the on-screen numeric entry screen. Keypads may look different depending on VT being used.



Figure 3 - Numeric Keypad

## Navigation Control Buttons



Back Button



Forward Button



Return to Previous Screen



Accept Entry



Cancel


## Machine Configuration

**NOTE:** Refer to default settings table at end of controller section for factory setup defaults.

**NOTE:** Before use, Display Monitor must be setup to enable VT connection and a machine configuration may need to be built. See Manufacturer's Operations Manual for detailed instructions on these processes.


## Initial Configuration/Factory Setup

(Only seen on first boot, or if system is reset/reconfigured)

- Power up Display Monitor and activate VT.
- Alert screen appears identifying that system is not configured. Press  to continue.




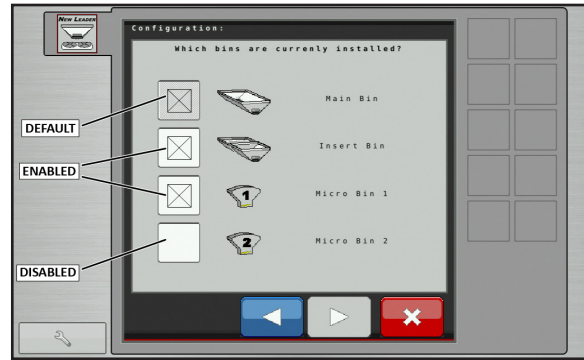
Overview of attached modules:

- Number of spreader modules will be shown along with any add on modules. Press  to continue.







## Enable Installed Bins

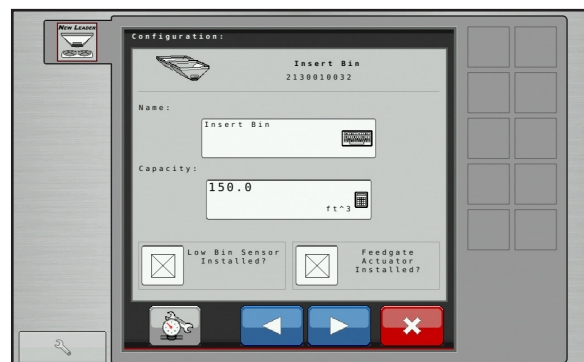
- Enable all bins that are installed on the unit by pressing the button next to each. A  will appear next to enabled bins as shown. Press  to continue.




## Bin Settings


Bin settings include Name, Capacity, Bin Sensor, Feedgate enabled/disabled, and Pressure Transducer calibration.

- Enter Capacity for Main Bin using keypad. Enable or disable bin level sensor as required. Press  to edit pressure transducer settings. If standard transducers are being used, press  to continue.
- Enable transducers and set calibration settings as necessary (adjust only if standard HECO provided transducers are not being used). Press  to continue.
- Repeat step 3 for MultiApplier or MultiBin Bin 2 as necessary. Press  to continue.



- Repeat step 3 for MultiBin Micro 1 as necessary. Press  to continue.




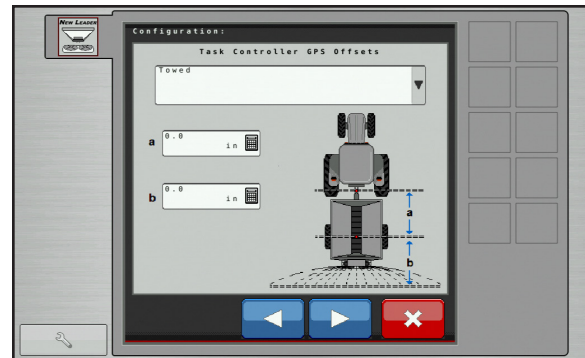
- Repeat step 3 for MultiBin Micro 2 as necessary. Press  to continue.



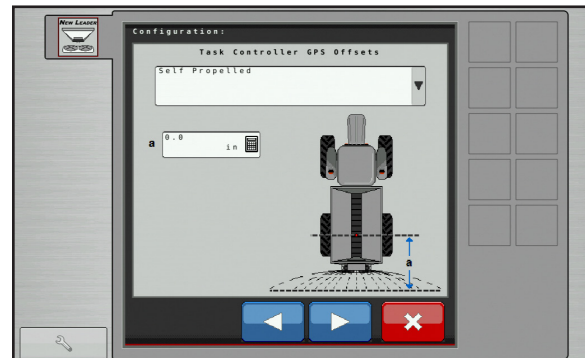
## GPS Offsets

Editing the task controller GPS offset settings will determine drop point of material behind chassis.

- Select Towed or Self Propelled and enter GPS Offset using keypad.
- For single axle towed units, enter the distance from the center of the hitch pin to the center of the axle (a). Then enter the distance from the center of the axle to the center of the spinner disc (b).
- For self-propelled units, enter the distance from the center of the rear axle to the center of the spinner disc (a).
- NOTE: For units and trailers with tandem axles, use the center of the tandem for measurement reference point.
- Press  to continue.




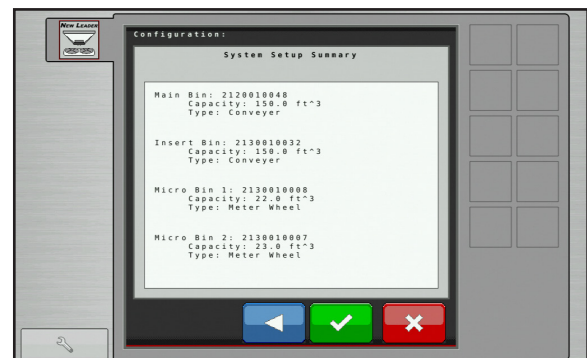
Towed



Self-Propelled

## System Setup Summary

- Verify all settings are correct. Press  to continue or  to go back and adjust as necessary.




## Configuring Auxiliary Switches

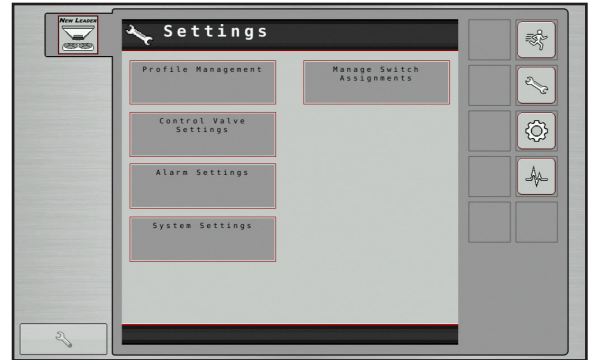
- Switches must be configured before calibration.
- Switchbox switches need to be mapped. Use the Display Monitor's operations manual to map all switches as necessary.



## Settings

Changing machine calibrations allows operator to enable/disable bins, adjust valve calibration numbers, change alarm settings and reset modules. On the Home Screen, press  to change these settings:

Press  to to enable/disable bins.



## Enable/Disable Bins

- Each Installed Bin (as set up in Step 4) will appear. Press each "Enable" button to enable or disable each bin as appropriate for the current job.




## Valve Calibration Adjustment

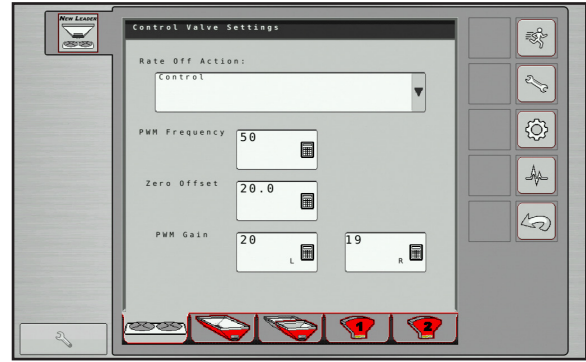
- Press  to adjust valve calibration numbers.

**NOTE:**

Default values are not fine tuned and may result in a slower response time than desired. Adjust at first time start up and when valve is replaced.



- Press  to set spinners. Enter appropriate settings:
  - PWM Valve settings:
    - “Monitor” - no PWM control
    - “Control” - tries to maintain spinner speed at all times regardless of available hydraulic flow. Best for hydrostatic or CVT drives.
    - “Hold” - Preserves last PWM signal to valve when conveyor is deactivated. Best for geared transmissions with gear pumps.



- PWM Frequency - Frequency that PWM control valve is pulsed at. Settings can be found from valve manufacturer.
- Zero Flow Offset - Represents maximum duty cycle sent to control valve without producing any hydraulic flow from. Increase this number to hit target rate sooner.

**IMPORTANT!** Setting Zero Flow Offset too high will cause spinners to overshoot Low Spinner Speeds and could cause delay in reaching set speed. Adjust as needed in small increments.

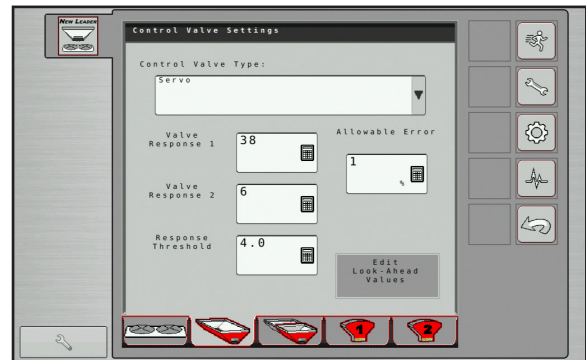
- PWM Gain - Determines how aggressively control valve responds when making rate adjustments. Higher value means more aggressive system response.

**IMPORTANT!** Setting PWM Gain too high spinners will become erratic. Adjust as needed in small increments.

- Set Conveyors by selecting each bin at bottom of screen.

**NOTE:**

If using PWM valves instead of Servo valved, select “PWM” from “Control Valve Type” list and enter settings as per notes on Spinner valves and test for accuracy.



**NOTE:**

Setting value too low can cause product control system to continually hunt for target application rate.  
Setting too high will cause excessive product application error and a delay in target rate being reached.

**SERVO**

Enter appropriate settings:

- Valve Response 1 - Determines speed of servo valve when product control error exceeds Response Threshold setting. Represents fast speed of servo valve. Decreasing value will cause servo valve to run slower. Default setting is 40%.
- Valve Response 2 - Determines speed of servo valve when product control error is less than

Response Threshold setting. Represents slow speed of servo valve. Decreasing value causes servo valve to run slower. Default setting is 8%.

- Response Threshold - Determines where control channel switches between using Valve Response 1 and Valve Response 2 speed setting. Leaving all other valve control settings at default value and making small adjustments to this setting is usually all that is required to fine-tune system performance. Default setting is 4.

**NOTE:** Decreasing Response Threshold value will have overall effect of speeding up servo valve response. Increasing Response Threshold value will have overall effect of slowing servo valve response.

- Allowable Error - Determines the percent of error that is allowed prior to product control system making any flow rate changes. 2% - 3% is normal dead band setting range.

## PWM

- **PWM Frequency**

- Frequency that the PWM control valve is pulsed.
- Settings can be found from valve manufacture
- Do not adjust

- **Zero Offset**

- Represents the maximum duty cycle sent to the control valve with out producing any hydraulic flow.

- Increase this number to hit target rate sooner
- Note: Setting this value too high will result in constant overshooting of the target rate.

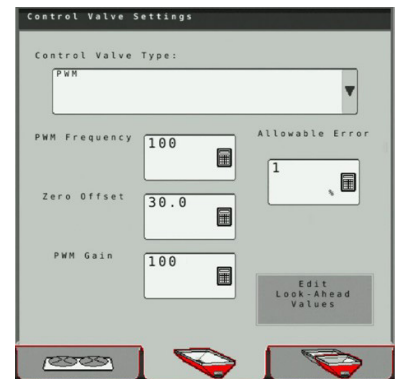
- **PWM Gain**

- Gain determine show aggressively the control valve responds when making rate changes. Higher the value means more aggressive system response.

- Note: Setting this value too high will result in erratic operation.

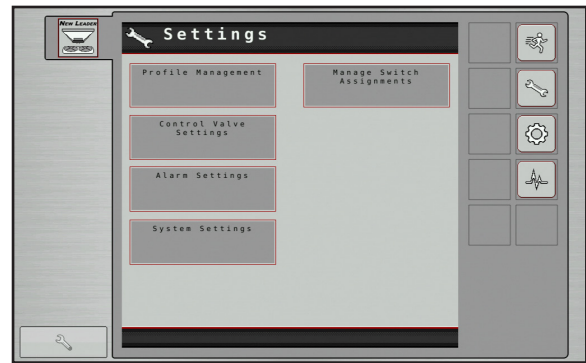
- **Allowable Error**

- Is the percent of error that is allowed before the product control system makes any flow rate changes.

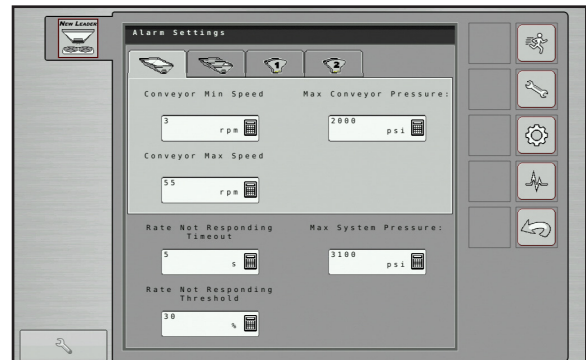


## Alarm Settings

- Press  to adjust alarm settings.




- Edit each Alarm setting as desired.

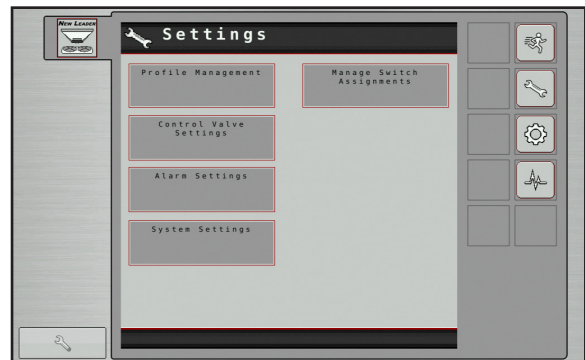


## Reconfigure System

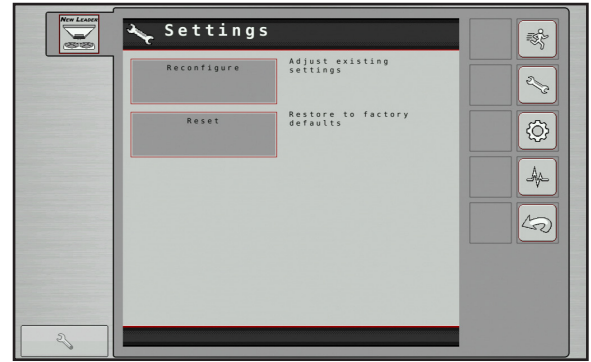
**NOTICE!**

Pressing "Reset" under "System Settings" will restore all settings to factory default and all calibration numbers will be lost. It should only be pressed if instructed to do so by service technician or New Leader product support.

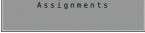
- Press  to reset/reconfigure system.

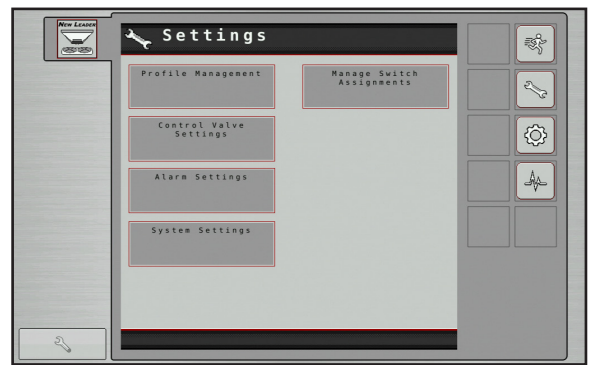


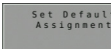
- "Reconfigure" allows the user to adjust any of the system settings made during first time start up ("Machine Configuration" steps). "Reset" will restore all settings to factory default and all calibration numbers will be lost.
- Display will then jump to GPS offset screen. See "GPS Offsets" in this section for details.



## Switch Assignment

- Press  to show connected devices.




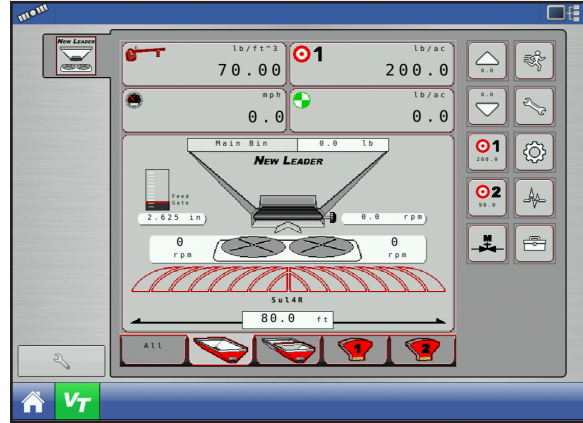
- Connected devices will appear in the device list.
- If using a New Leader switch box, press  to automatically map the switches to the correct function.






## Component Calibration

**NOTE:** Before regular use, system must be calibrated to ensure accurate spreading.

- Power up Display Monitor and activate VT.
- The Run screen will appear. Press  to continue.



## Spinner Disc Calibration

- Press  to calibrate spinner discs.
- Use keypad to edit numeric setting as necessary:
  - Standard spinner discs, set to 4.
  - If using 5 fin discs, set to 5.
  - If using 6 fin discs, set to 6.
  - Press  to accept change and continue,
  - or  to cancel.

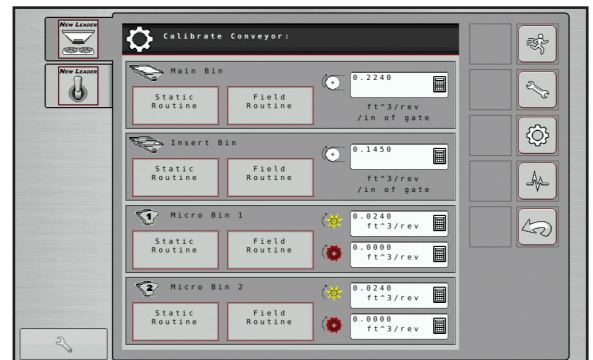


## Conveyor Calibration

**IMPORTANT!**

For best results, a catch test must be done for each product to be spread before season begins, or any time a new supply of product is received.

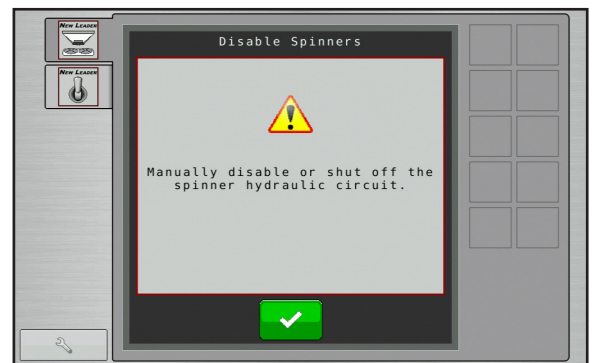
- Press **Conveyor** to calibrate conveyor.
- Manually enter cubic feet per revolution (CFR) rate using keypad.
- To begin catch test, press **Static Routine** for the bin to be tested.
- To perform in-field calibration, press **Field Routine** for the bin to be tested.



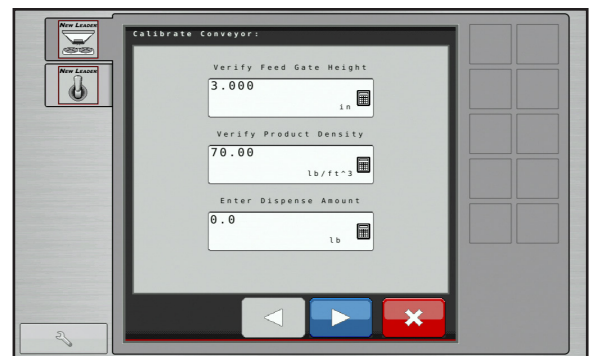
**WARNING**







Do not work near rotating spinners. Severe injury can result from contact with moving parts. Failure to comply with this requirement could result in death or serious injury.

- Spinners will automatically shut off. For added safety, disconnect PWM valves. Press to continue.




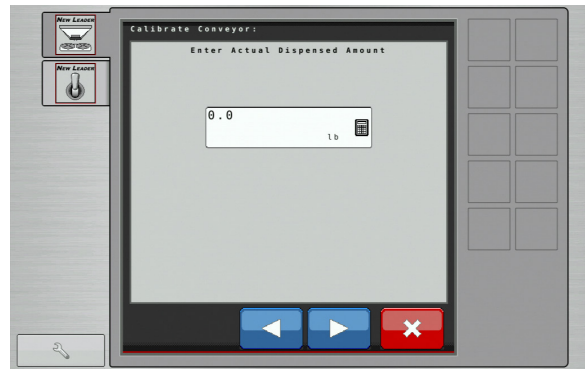
- Verify Feed Gate Height and Product Density are correct. Use keypad to edit as needed. Enter Dispense Amount using keypad. Press to continue.
- Bring engine up to full operating RPM.




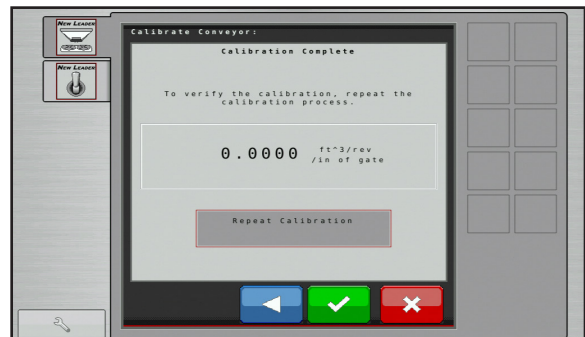
- Using the control buttons    (Reset, Run, Stop), run a catch test. If spreading product that has already been tested, press  to continue. To begin a test, press . Conveyor will run.
- Once controller dispenses specific amount, conveyor will stop. Press  to continue.

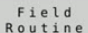


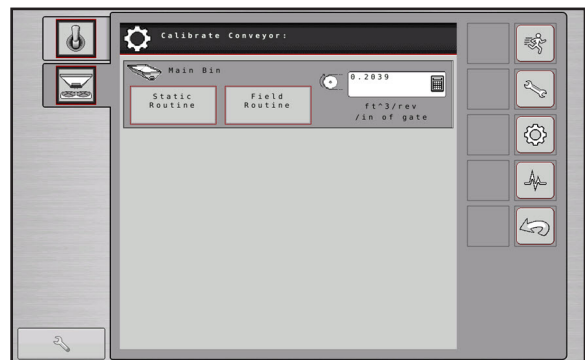
- Weigh material dispensed and enter actual weight of material dispensed. Press  to continue.



- It is recommended a minimum of three (3) tests be done PER PRODUCT to ensure accuracy. Once each test is done, press "Repeat Calibration" to run a subsequent test. When finished, press .




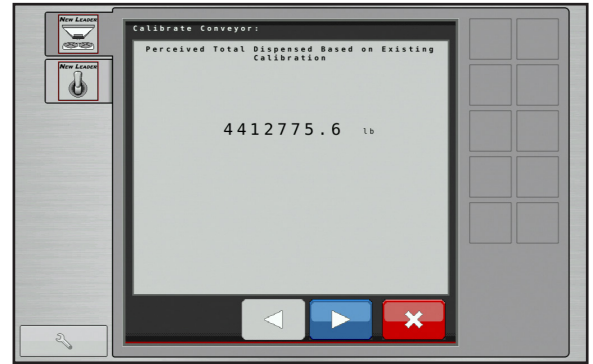
- The main Calibration screen will appear. To calibrate with a known amount brought to a field, press .



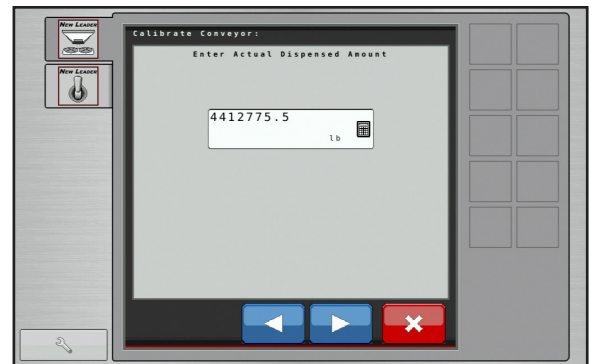
**Note:** Field totals can be reset from Summary Screen if needed.




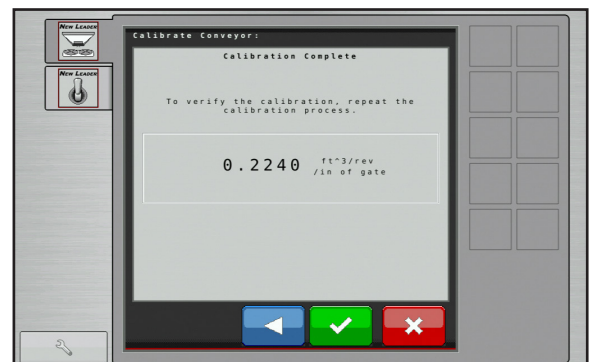
- After dispensing product in field, screen displays system perceived total of dispensed product. To enter actual dispensed amount, press .



- Using keypad, enter actual weight of product dispensed. Press  to continue.



- New cubic feet per revolution (CFR) rate will be displayed. Press  when finished.



## Operations/Features

### Create New Job

The following is a guide for running system for first time.

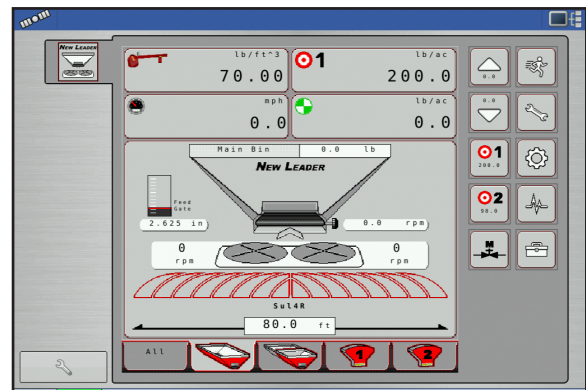
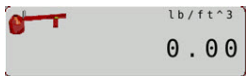
1. Create Job in display.



This operation will vary from display to display. Refer to display manual on how to create a job using Task Control. When finished, activate VT.

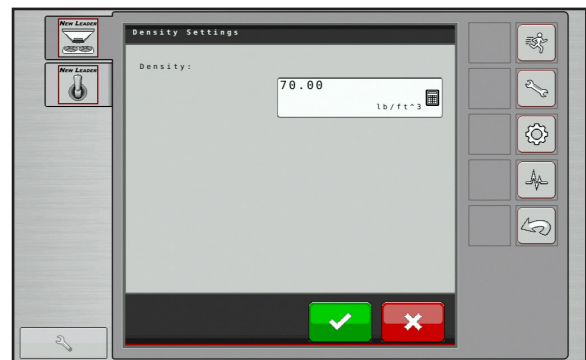
2. Verify Product Density.

Material Density will vary from product to product. It is imperative that correct density is entered in controller for rates to come out correctly.

- To change product density, press



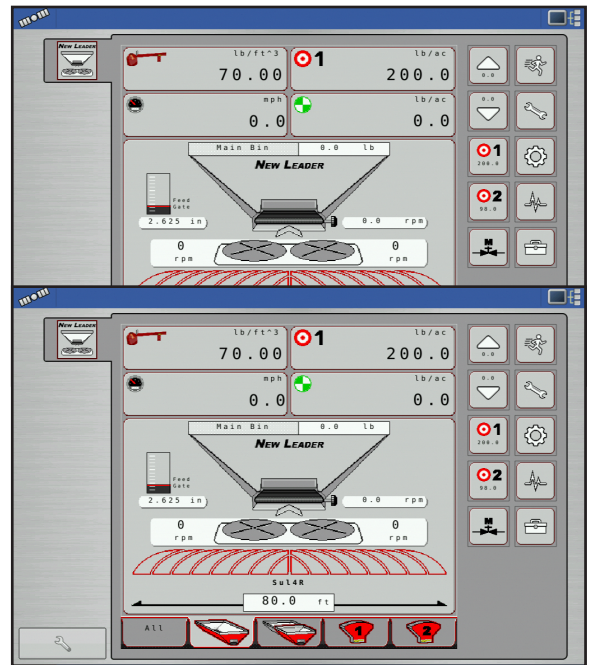
- Use keypad to enter density. Press  to accept change and continue, or  to cancel.



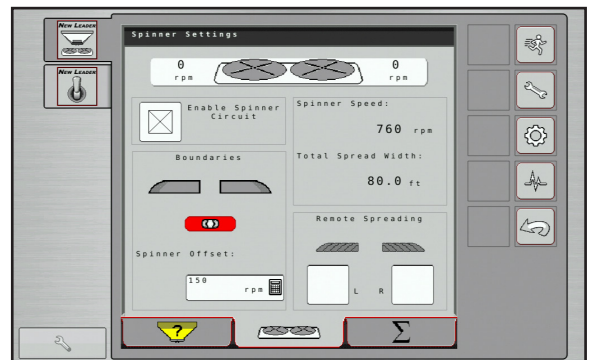
3. Verify task control in Target Rate 1.
  - Rate will be driven by job setup in display. To verify this, TC should show in place of target rate 1. If not, verify job has been created correctly. Refer to display manual.

4. Verify total spread width and spinner speed:
  - Different products may require different spread widths or spinner speeds. Always verify the material profile is configured correctly before applying product.

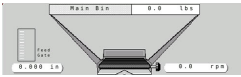
- Edit current profile or create a new one if necessary. See "Material Profile Management" for details.

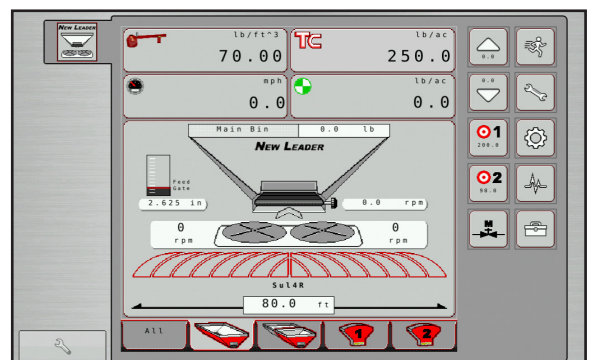


- Enable Spinner Circuit. Using keypads, enter Spinner Speed and Total Spread Width. If desired, enter Spinner Offset (see Boundary Spreading section of this manual for instructions).

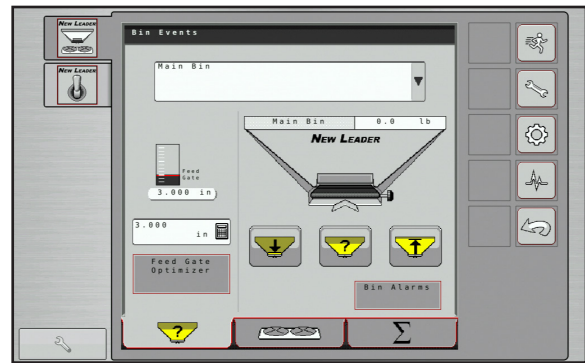


5. Verify gate opening:

- Press  to set bin levels and change gate opening.



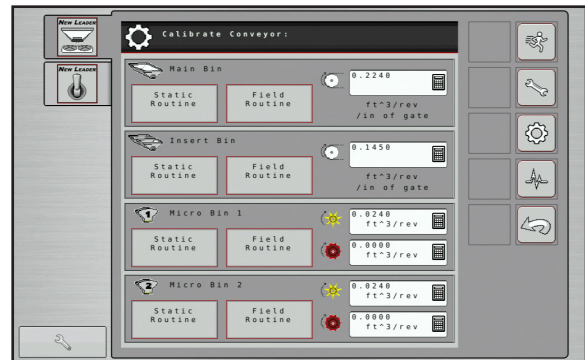
- Use keypad to set feedgate opening to correct reading.




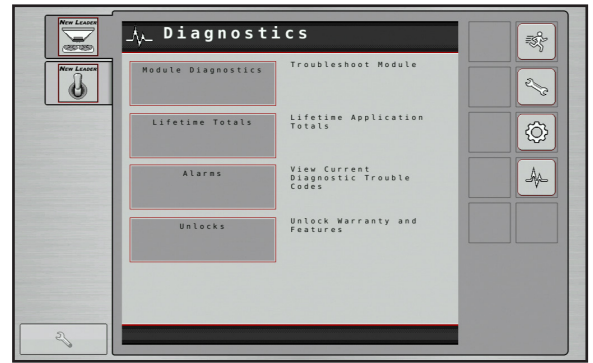
6. Verify CFR number is correct:


Different products may require different calibration numbers. Verify the CFR number is correct before applying product.

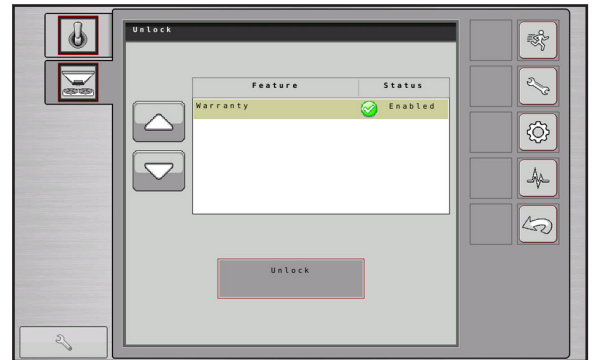
- Press  then .
- Use keypad to change CFR number as needed.



- To view unlocked features, press .




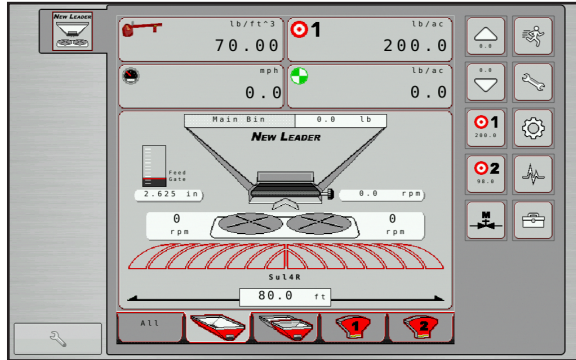
- Current unlocked features will display. Press "Unlock" to display module serial number and registration number. Press  to return.




## Hydraulics




**NOTE:** This program will show a visual representation of hydraulic monitoring, including system pressure, temperature, conveyor pressure, and indicators for low fluid level and filter restriction. Individual bins can be viewed by pressing the bin icons along the bottom of the screen.

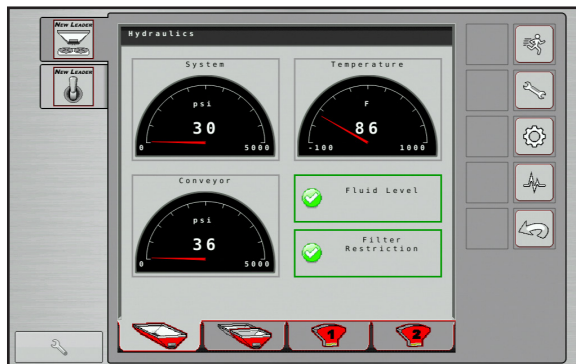
- Power up Display Monitor and activate VT.
  - The Run screen will appear. Press  to continue.



- The Tools main screen will appear. Press  to continue.




- View hydraulic monitoring:
  - Hydraulics - System pressure, Temperature, and status of Fluid Level and Filter Restrictions will show system wide.
  - Conveyor Pressure will display for Bin 1, and cumulatively for Bins 2 - 4 as equipped.
  - Fluid Level and Filter Restriction status are shown in the lower right hand corner. When within acceptable levels, the boxes are outlined in green and display a  (as shown). If fluid level is low or if filter is restricted, the box will be outlined in red and display a .
  - Press  to return to Tools Screen.

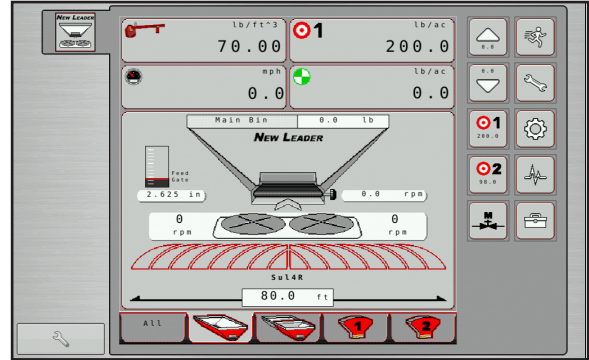



**NOTE:** If the spreader does not have an onboard hydraulic reservoir, fluid temperature, fluid level and filter restriction are not accurately displayed.

## Bin Flush

**NOTE:** This program is used to quickly empty each bin. Spinners will automatically shut off and allow the operator to select which bins to empty.

1. Power up Display Monitor and activate VT.
  - The Run screen will appear. Press  to continue.




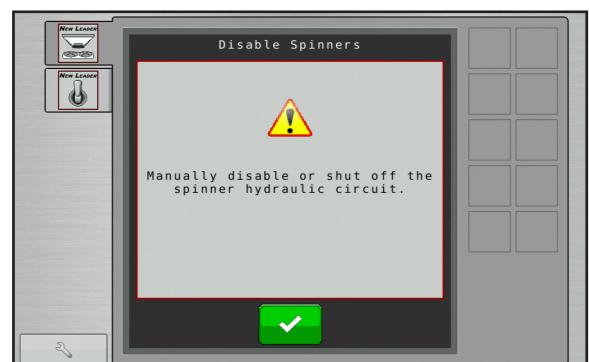
- The Tools main screen will appear. Press  to continue.



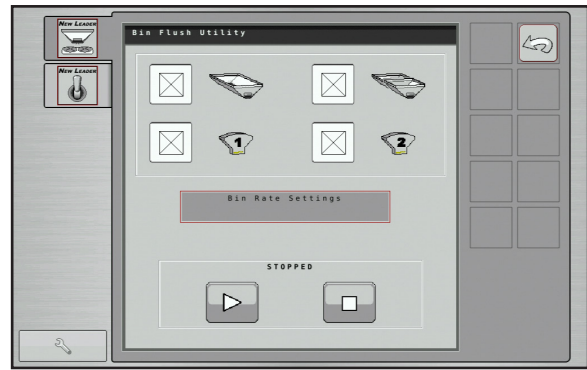
**⚠ WARNING** Do not work near rotating spinners. Severe injury can result from contact with moving parts. Failure to comply with this requirement could result in death or serious injury

**⚠ WARNING** For added safety, unplug PWM valves to ensure spinners cannot run while in Bin Flush mode to avoid injury. Failure to comply with this requirement could result in death or serious injury

- Bin Flush will automatically disable spinners. Press  to continue.

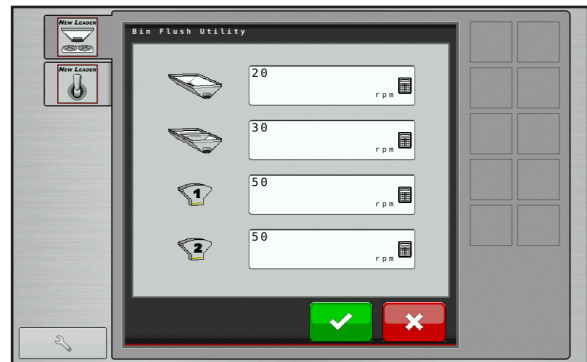



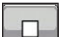
2. Select bins:
  - Select bins to be flushed by pressing enable buttons next to each. To adjust conveyor RPM for flush, press .




3. Set conveyor RPM:
  - Use keypads to set conveyor RPM for each bin. 20 RPM is default.
    - Bin 1 Maximum = 50 RPM
    - Bin 2 Maximum = 60 RPM
    - Bins 3 & 4 Maximum = 85 RPM

Press  to continue.




4. Perform bin flush:
  - To flush bins, press . Conveyors will run until  is pressed.

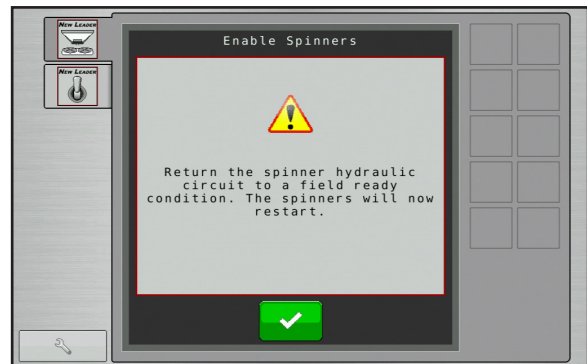
When process completes, press  to continue.



⚠ WARNING


Do not work near rotating spinners. Severe injury can result from contact with moving parts. Failure to comply with this requirement could result in death or serious injury.

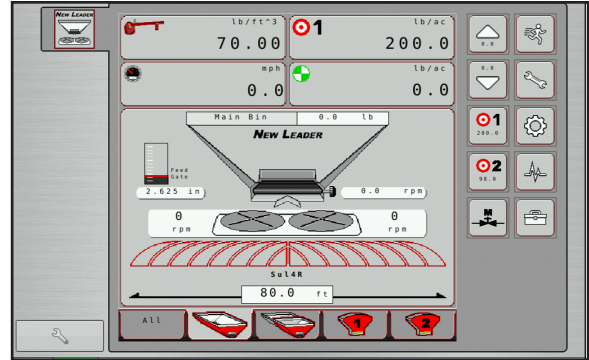
- When exiting Bin Flush process, spinners will restart. Plug PWM valves back in if it was previously disabled. Press  to continue.






## Body Module

1. Power up Display Monitor and activate VT.
  - The Run screen will appear. Press  to continue.

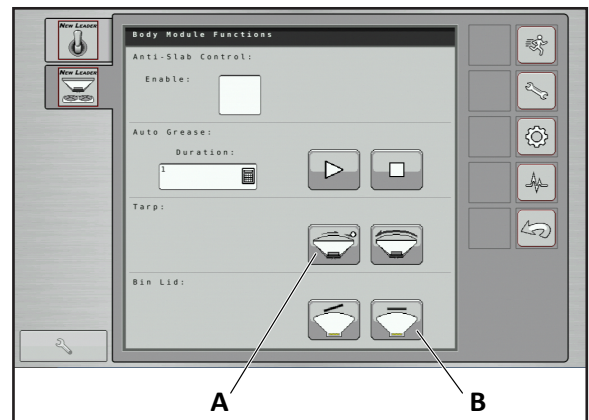


- The Tools main screen will appear. Press  to continue.



## Bin Cover Control


- If equipped, press  (A) to open and close tarp.
- If MultiBin insert is installed, press  (B) to open and close Micro cover.

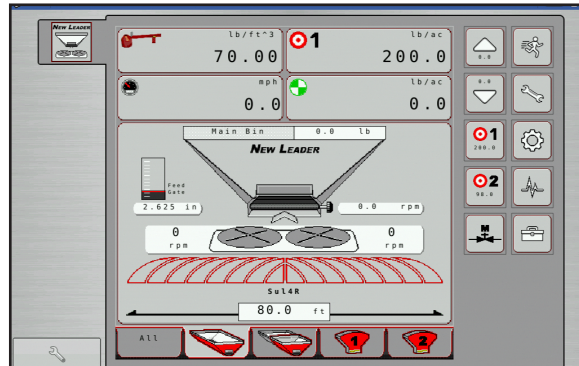



## Chain Oiler

**NOTE:** This program is used to manually oil the chain, set alarm frequency, and set auto-lube settings.

1. Power up Display Monitor and activate VT.

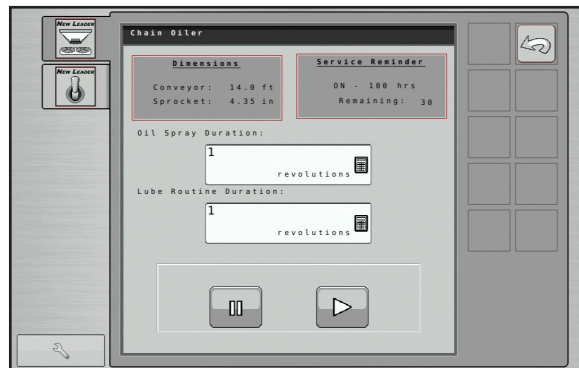
- The Run screen will appear. Press  to continue.




- The Tools main screen will appear. Press  to continue.




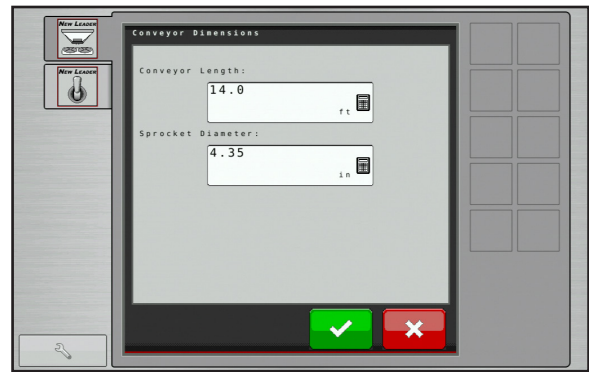
2. Set duration:
- Use keypads to set oil chain duration (recommended 1 revolution). Lube routine is not used at this time.





3. Set conveyor dimensions:
  - Press "Dimensions" to input conveyor dimensions. Use keypads to input conveyor length and sprocket diameter.

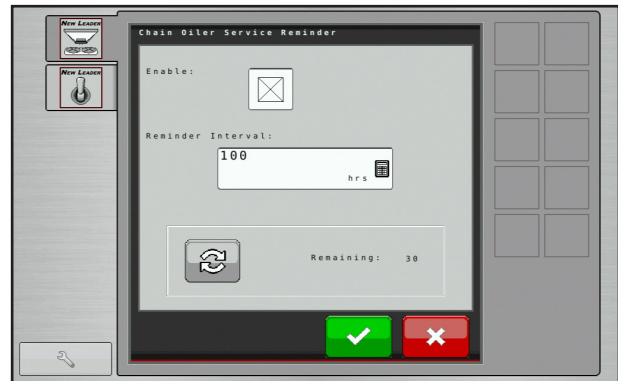
Press  to return to Chain Oiler screen.

Press  to return to Tools Screen.



4. Set service reminder:
  - Press "Service Reminder" to set chain oiler reminder. Enable Reminder and use keypad to enter interval hours desired. To restart reminder after manually oiling conveyor, press .

Press  to return to Chain Oiler Screen.



**General Alarms**

<b>Alarm</b>	<b>Title</b>	<b>Description</b>
WSM Spreader Module	Local CAN Bus Error	Check the local CAN bus connection.
WSM Spreader Module	Module Software Reset	The module software reset due to an unhandled error.
WSM Spreader Module	Local CAN Bus Warning	Check the local CAN bus connection.
WSM Spreader Module	Local ISOBUS Error	Check the ISOBUS connections.
WSM Spreader Module	Local ISOBUS Warning	Check the ISOBUS connections.
WSM Spreader Module	CAN Power Voltage Low	The CAN power voltage is below 8.0 volts. Check CAN bus power supply.
WSM Spreader Module	High Power Voltage Low	The high power voltage is below 10.0 volts. Check high power supply connections.
WSM Spreader Module	Bin Not on Bus	Bin set as installed is not on bus. Check wiring or edit the profile.
WSM Spreader Module	Body Module Offline	The body module is no longer available. Check power supply and communication wiring.
WSM Spreader Module	Module Indexing Failure	System has not indexed itself properly. This can be caused by a missing index pin in the cabling.

## General Product Control Alarms

Alarm	Description	Trigger
Rate sensor error during calibration	"Calibration error, lost or intermittent signal from rate sensor. Check sensor and related wiring prior to calibrating conveyor."	Rate sensor signal is lost for a period of two or more consecutive seconds during the Static Conveyor Calibration Routine.
Rate Sensor Error During Conveyor Flush	"Lost or intermittent signal from rate sensor. Check sensor and related wiring prior to continuing Conveyor Flush Routine."	Rate sensor signal is lost for a period of two or more consecutive seconds during the Conveyor Flush Routine.
Low Bin Sensor	"Low Bin Sensor." [Channel Name].	Bin Level Sensor is installed, metering circuit is commanded on, and the product in the bin does not cover the sensor for a consecutive period of time greater than current [Low Bin Time Delay] setting.
Disable Spinners	"Manually disable or shut off the spinner hydraulic circuit."	At the beginning of the Static Conveyor Calibration and Conveyor flush routine.
Enable Spinners	"Return the spinner hydraulic control to a field ready condition. The spinners will now restart."	At the end of the Static Conveyor Calibration routine and Conveyor flush routine.
Boundary Spinner Not Responding	"Boundary Spinner Not Responding." + [Spinner Name].	Automatic control for spinners must be enabled. At least one conveyor must be commanded on. Perceived spinner speed is greater than 30RPM in error from the [Boundary Spreading Spinner RPM Offset].
Rate Not Responding	"Rate Not Responding" + [Channel Name].	Control channel is commanded on using automatic control mode. Application rate is +/- [Rate Not Responding Threshold] from target rate for a period of [Rate Not Responding Timeout] or more.
Maximum Conveyor Speed	"Conveyor At Maximum RPM, Slow Down" + [Channel Name].	Product channel is commanded on and conveyor is run at or above maximum speed for a period of 5 or more consecutive seconds.
Minimum Conveyor Speed	"Conveyor At Minimum RPM", + [Channel Name].	Product channel is commanded on and conveyor is run at or below minimum speed for a period of 5 or more consecutive seconds.
Conveyor Not Responding	"Conveyor Running While Turned Off" + [Channel Name].	Product bin is commanded off and conveyor speed >0 and <1 RPM for a period of 30 or more consecutive seconds. Or conveyor speed is >=1 RPM for a period of 5 or more consecutive seconds.

**Spinner Alarms**

<b>Alarm</b>	<b>Description</b>	<b>Trigger</b>
CLF Basic Single Spinners Not Responding	"Spinners Not Responding"	Automatic control for spinners must be enabled. [CLF Mode] [Basic Single] must be selected. At least one product bin must be commanded on. Perceived spinner speed is greater than 30 rpm in error from [Target Spinner Speed] for a period of five consecutive seconds or longer.
CLF Basic Independent Spinners Not Responding	"Spinner Not Responding" + [Spinner Name]	enabled. [CLF Mode] [Basic Independent] must be selected. At least one product bin must be commanded on. Perceived spinner speed is greater than 30 rpm in error from [Target Spinner Speed] for a period of five consecutive seconds or longer.
Spinners Off	"Stop Application, Spinners Off!"	CLF is enabled, no spinner speed detected, one or more control channels is commanded on.
Spinners On	"Turn spinner switch off to prevent spinners from running!"	Upon system start up, [CLF Mode] enabled, spinner functionality switch detected in the ON position.

## Hydraulic Alarms

Alarm	Description	Trigger
Conveyor Hydraulic Pressure Exceeds Maximum	"Conveyor Hydraulic Pressure Exceeds Maximum Operating Range."	Conveyor hydraulic pressure exceeds [Max Conveyor Hydraulics Pressure] setting for a period of five consecutive seconds or longer.
System Hydraulic Pressure Exceeds Maximum	"System Hydraulic Pressure Exceeds Maximum Operating Range."	System hydraulic pressure exceeds [Max System Hydraulics Pressure] setting for a period of five consecutive seconds or longer.
Hydraulic Fluid Level Low	"Hydraulic Fluid Level Low."	Hydraulic fluid level has fallen below lowest level tank sensor.
Hydraulic Fluid Temperature Below Minimum	"Hydraulic Fluid Temperature Below Minimum Operating Range."	Hydraulic temperature is below 65°F (18°C). Hydraulic fluid too cold to operate machine.
Hydraulic Fluid Temperature Exceeds Maximum	"Hydraulic Fluid Temperature Exceeds Maximum Operating Range."	Hydraulic temperature exceeds maximum operating range, greater than or equal to 200°F (93°C).
Hydraulic Filter Restriction Detected	"Hydraulic Filter Restriction Detected."	Hydraulic filter pressure is greater than or equal to 25 psi for five consecutive seconds or longer.

## Chain Oiler Alarms

Alarm	Description	Trigger
Disable Spinners	Manually disable or shut off the spinner hydraulic circuit.	The point the user selects to run the chain oiler routine.
Enable Spinners	Return the spinner hydraulic circuit to a field ready condition.	The point the user exits the chain oiler routine.
Conveyor Lubrication Required	Conveyor Chain Lubrication Is Required.	[Service Reminder On] setting is enabled and [Service Reminder Interval] has expired.

## Default Settings

NOTE: Compatible Insert Bin configurations vary per model. See "General Description" in Operations section of this manual for details.

Refer to "Dimensions & Capacities" in Operations section of this manual for capacities on all applicable bin configurations.

<b>Pressure Transducer Settings</b>	
Min PSI	0
Max PSI	5000
Min voltage	1
Max voltage	5

<b>Spinner Settings</b>	
PWM Frequency	100 Hz
Zero Flow Offset	30
PWM Gain	20



## Calibration

CFR Values	
Bin	Value
Main Bin	0.256
Insert Bin	0.144
Yellow Micro Bin	0.038
Red Micro Bin	0.019

Control Valve Settings				
	Control Valve			
Control Variable	Main	Insert	Micro 1	Micro 2
Control Valve Type	Servo	Servo	Servo	Servo
Valve Response 1	40	40	40	40
Valve Response 2	8	8	8	8
Response Threshold	4.0	4.0	4.0	4.0
Allowable Error	1	1	1	1

Sensor Settings	
Encoder pulses	180 or 360 - verify by looking on encoder
Spinner pulses	4

## Alarms

Alarm Settings				
Alarm Variable	Bin			
	Main (PSI)	Insert (PSI)	Micro 1 (PSI)	Micro 2 (PSI)
Min Conveyor Speed	5	5	3	3
Max Conveyor Speed	50	60	85	85
Max Conveyor Pressure - Std Hydraulics	2000	2000	-	-
Max Conveyor Pressure - HP Hydraulics	3400	2000		
Rate Responding Time	5	5	5	5
Rate Responding Threshold	30	30	30	30
Max System Pressure - Spinner	3100	-	-	-

This page is intentionally left blank.

**SPREAD  
PATTERN**

**⚠ WARNING**

Use great caution while working around the spreader. Contact with spinners and other moving parts is very dangerous. Do not adjust while machinery is moving, wear eye protection and avoid discharge from spinners. Do not ride on moving spreader. Failure to comply with this requirement could result in death or serious injury.

A Catch Test is required prior to each season, before using a new product, or if a significant visible change has occurred with a product.

## Catch Test

The CFR number, or cubic feet per revolution number, is a calibration number entered into the controller to determine rate output from the spreader's conveyor. A catch test is performed to verify accurate rate output per the controller.

NOTE: An optional calibration chute (P/N 312688) is available to simplify the catch test process. The calibration chute fits all New Leader spreader models with 30" wide conveyor bottoms. Contact your local New Leader dealer for details.

**⚠ WARNING**

To prevent injury, disable the spinners by unplugging the PWM valve before beginning the catch test procedure. Failure to comply with this requirement could result in death or serious injury.

1. Disable the spinners by unplugging the PWM valve(s).
2. Move the spinner assembly to the 4" (102 mm) position.
3. Remove the Material Divider back plate, and Vane Assembly (if applicable). Install calibration chute if available.
4. Position an end loader or other suitable device beneath the spinners to catch material.
5. Load material into all applicable bins.
6. Prime the conveyor as specified per the controller.
  - If using a calibration chute, run the conveyor just until material reaches the end. Remove any excess material that falls into the catching device.
  - If not using a calibration chute, run the conveyor until the spinner discs are full of material. Remove any excess product from the catching device. Do not remove material from spinner discs.
7. Measure the depth of material on the end of the conveyor to verify the constant number feedgate height information entered into the controller. Adjust feedgate height or recalibrate feedgate as necessary.
8. Verify that all other product settings entered into the controller are correct.
9. Select the correct bin in the controller for the first bin to be tested. Enter the anticipated weight of product to be dispensed from the conveyor.
10. Start the engine and engage hydraulics. Allow to run for several minutes to bring hydraulic oil up to operating temperature. Bring engine up to operating RPM.
11. Following the setup wizard on the controller, run the catch test. The conveyor will start dispensing material, and automatically shut off when the estimated amount of product is dispensed.
12. If not using a calibration chute, leave the material on the spinner discs. Weigh the amount of product that the conveyor actually dispensed into the catching device, and note the result.
13. Enter the actual weight of material dispensed into the controller. The controller will then automatically perform the calibration.
14. Repeat Steps 5 - 12 for all other applicable bins, if an insert bin is installed.
15. Once satisfactory results have been achieved for all applicable bins, turn the engine off, replace the back plate on the Material Divider, return the spinner assembly to its original position setting, and plug the PWM valve(s) back in.

NOTE: For more information on controller operations and setup, contact your local dealer.

**⚠ WARNING**

Use great caution while working around the spreader. Contact with spinners and other moving parts is very dangerous. Do not adjust while machinery is moving, wear eye protection and avoid discharge from spinners. Do not ride on moving spreader. Failure to comply with this requirement could result in death or serious injury.

**NOTICE**

Spinner assembly and material divider have NOT been adjusted at the factory. Before spreading material, spread pattern tests must be conducted to properly adjust the spread pattern. A spread pattern test kit is available for this purpose.  
 THE MANUFACTURER OF THIS SPREADER WILL NOT BE HELD LIABLE FOR MISAPPLIED MATERIAL DUE TO AN IMPROPERLY ADJUSTED SPREADER.

## Spread Pattern

Product quality will affect spread pattern and product performance. Spread pattern testing is required to ensure proper application of material. Larger products will produce wider swath widths.

Spread pattern is adjusted using one or more of the following:

- Point of material delivery on spinner discs
- Spinner speed
- Angle of the distributor fins on the spinner discs

Since adjustments will vary for each job, trial and experience must be used to determine the adjustments required to obtain the swath width and spread pattern desired.

## Spread Pattern Test Kit

Spread Pattern Test Kit, part no. 313960, includes the following:

DESCRIPTION	QTY	DESCRIPTION	QTY
Box - Plastic Storage	1	Scale – Density	1
Center Collection Tray - Blue	1	Data Sheet – 100 Ct. Booklet	1
Collection Tray - Brown	22	Funnel	1
Divider Screen	23	Flag	5
Assy – Test Tube Rack	1	Rope – 120' marked	1
Test Tube	23	Stake	2

NOTE: If desired, a material calibration kit is available to aid in measuring product quality. Contact your local dealer for details.

## Spinners

### **NOTICE**

Spinner discs and fins must be kept clean and polished. Even a small build-up on a spinner fin can significantly affect the spread pattern. Rusty, rough, bent or worn fins will produce poor spread patterns.

In general, critical spinner speed will fall somewhere between 600 and 900 RPM. Spinner speed is adjusted by changing the settings in the controller. Proper spinner speed adjustment is critical in obtaining optimal spread patterns. The best spinner speed to use will depend entirely on the material being spread, and must be determined by testing.

## Spreader Preparation

The spreader to be tested must be in good mechanical condition and properly adjusted. Refer to operator's manual for details.

All damaged and worn parts must be replaced. Spinner discs and fins must be free of any material build-up, rust or paint.

Fill the hopper with the material to be spread. Run the material out to the end of the conveyor.

Set the feedgate and the in-cab controller to deliver the required rate per acre. Make sure the feedgate is level and the indicator reflects the actual gate opening measured by standing a tape measure vertically in the material.

**NOTE:** Do not match slope of endgate when making this measurement. Measurement must be perpendicular to conveyor.

Adjust the spinner assembly by turning the crank or, if an actuator is installed, change the setting in the controller. To begin testing, position the spinner according to following chart.

NOTE: This chart is to be used as a reference only to begin testing.

			SIMPLE START SETTINGS			
Material	Density	Ground Speed (mph)	Rate (lbs)	Feedgate (in)	Spinner Frame Setting	Spinner RPM
Lime	90	11*	1000-5000	6	.5"	600
			2000-8000	12	.5"	600
Urea	46	18	110	2.5	4	800
			225	2.5	3.5	800
			450	2.5	2.5	800
Corn Blend	53	18	125	2.5	3.5"	800
			250	2.5	2.5"	800
			500	2.5	0.7	800
All other fertilizer types and blends	64	18	150	2.5	3.5"	800
			300	2.5	2.5"	800
			600	2.5	1.2	800
* 15 mph when using high performance (HP) hydraulics.						

## Test Procedure

Using the data sheets supplied with the kit, document all spreader information and adjustments as necessary. See Figure 1.

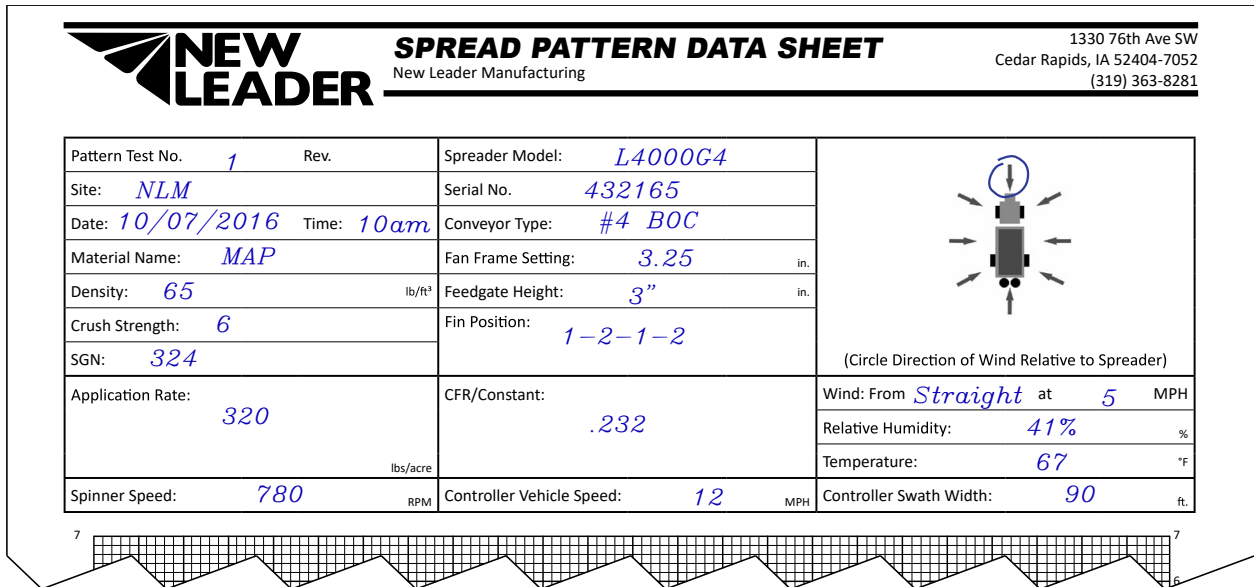


Figure 1

Select an area for testing measuring at least 120 feet x 200 feet (37 m x 61 m), and with a slope of less than two degrees.

All testing should be done when the wind velocity is less than 5 MPH (8.05 km). If wind is present, testing must be done with spreader traveling parallel (within ± 15 degrees) to the wind direction.

Do not allow loaded spreader to sit for more than one hour prior to testing.

At this stage of testing, drive the spreader over the collection trays in ONLY ONE DIRECTION.

Insert a plastic grid into each of the 23 collection trays. Position the blue collection tray in the center of the spreader's path with the longest dimension of the tray parallel to the direction of travel. Position the first left-hand and right-hand trays 10' (3m) from center, and all subsequent trays on 5' (1.5m) centers.



## Four-Wheeled Vehicles

For four-wheeled application vehicles, position the spreader at the beginning of the course so that the vehicle will straddle the center collection tray. See Figure 2.

Engage spinners before navigating the course. As the vehicle approaches the flag positioned 75' before the row of collection trays, engage the conveyor(s). Do not shut the conveyor(s) off until the vehicle approaches the second flag.

Drive spreader completely through course at normal operating speeds.

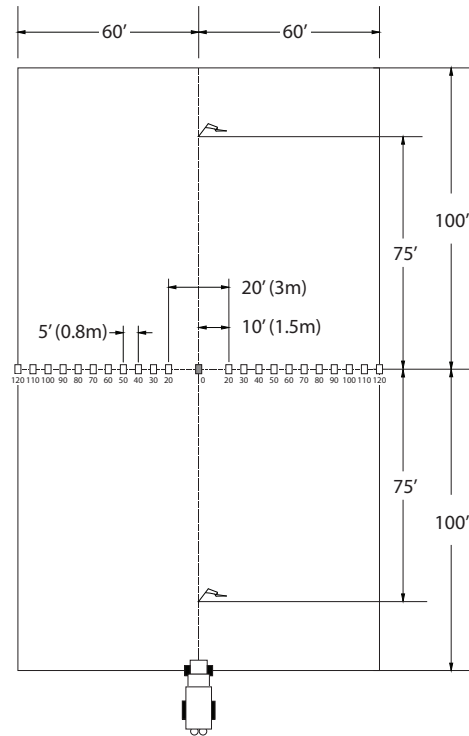


Figure 2 – Four-Wheeled Vehicles

## Three-Wheeled Vehicles

For three-wheeled application vehicles, straddling the center tray is not possible. Place the center collection tray beneath the vehicle just behind the front tire when the spreader is in position at the beginning of the course. See Figure 3.

Engage both the spinners and conveyor(s) before navigating the course. Do not shut the conveyor(s) off until the vehicle approaches the second flag.

Drive spreader completely through course at normal operating speeds.

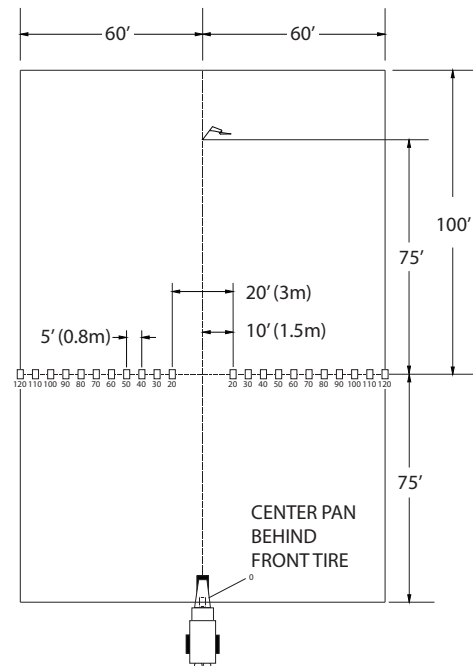


Figure 3 – Three-Wheeled Vehicles

## Test Results

After navigating the course, shut the spreader down and park in a secure location.

Using the funnel, transfer the contents of each collection tray into its corresponding test tube beginning at one end of the trays and working towards the opposite end.

If spreading a blend of materials, inspect all tubes to determine if the blend is consistent across the entire swath width. If the blend is not consistent, use a narrower swath width. The swath width should be based on the material thrown the shortest distance.

Record each test tube's volume in the box on the data sheet under the corresponding tray position and graph the spread pattern profile. See Figure 4.

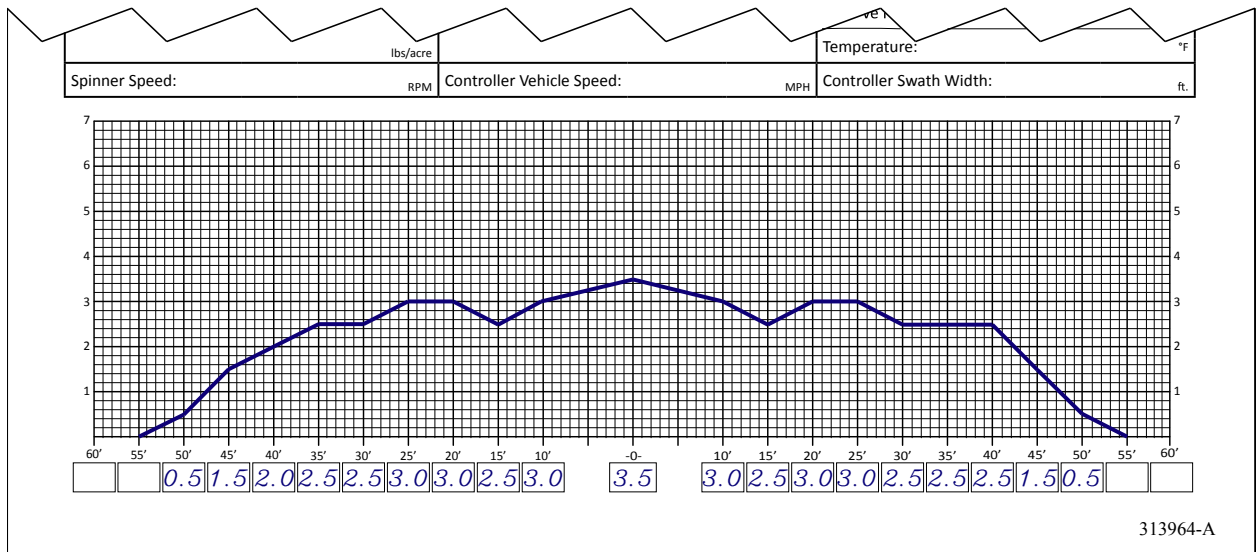


Figure 4

Looking at the material in the test tubes and the graphed profile on the data sheet, compare the overall shape of the spread pattern to the three acceptable patterns, shown in Figure 5. If an acceptable pattern has not been achieved, proceed to "Troubleshooting". Once an acceptable pattern has been achieved, proceed to "Determining Driving Centers".

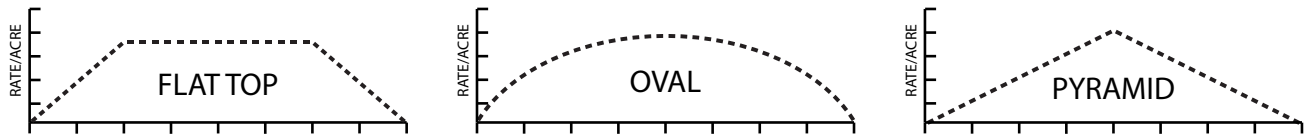


Figure 5 – Acceptable Patterns

**Troubleshooting**

NOTE: It is highly recommended that ONLY ONE ADJUSTMENT be made between test samples taken. If more than one adjustment is made, it will be difficult to determine which adjustment was responsible for the change in pattern shape.

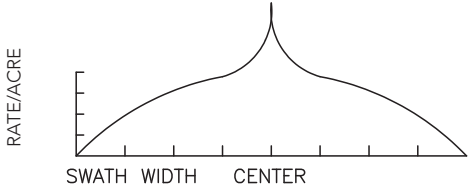
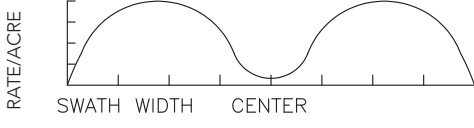
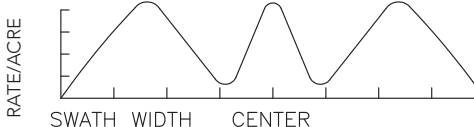
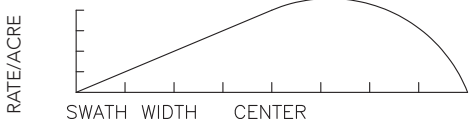
Problem	Pattern	Recommended Adjustments
Heavy Directly Behind the Vehicle		<ol style="list-style-type: none"> <li>1. Move the spinner forward (toward the conveyor).</li> </ol>
Light Directly Behind the Vehicle		<ol style="list-style-type: none"> <li>1. Move the spinner rearward (away from conveyor).</li> </ol>
Light Outside Vehicle's Tire Tracks		<ol style="list-style-type: none"> <li>1. Check spinner fins for material buildup, rust or paint.</li> <li>2. Increase spinner RPM.</li> <li>3. Move spinner fins to 2 - 3 - 2 - 3 positions. See Figure below.</li> </ol>
Pattern Off Center		<ol style="list-style-type: none"> <li>1. Check to see feedgate is level and free of caked material.</li> <li>2. Make sure hillside divider spinner assembly and material divider are mounted squarely and centered.</li> <li>3. Testing should be done parallel to wind.</li> </ol>

Figure 6

Spinner fins are adjustable to radial angle as shown in Figure 7. Refer to Figure 6 for fin adjustment recommendations.

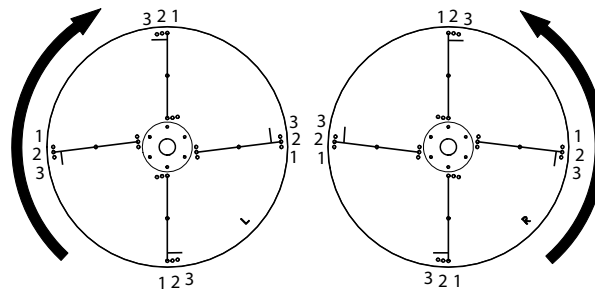


Figure 7 - Spinner Fin Adjustment

## Determining Driving Centers

Once an acceptable pattern is obtained, as shown in Figure 5, driving centers can be determined. To determine optimum driving centers (effective swath width), determine the average amount of material in the center of the pattern. Figure 8 shows an example data sheet recorded from the profile shown in Figure 9. Based on the example, the average amount of material in the center of the pattern is 3.0, as indicated with the red dotted line.

Next, locate the points on both the left and right side of the pattern where the amount of material is half the average amount at the center of the pattern. In the example shown in Figure 8, these points are located 45' to the left of center, and 45' to the right of center. The distance between these two points (90') represents the driving centers to use.

NOTE: Once the effective swath width has been established, a change in the controller may be required.

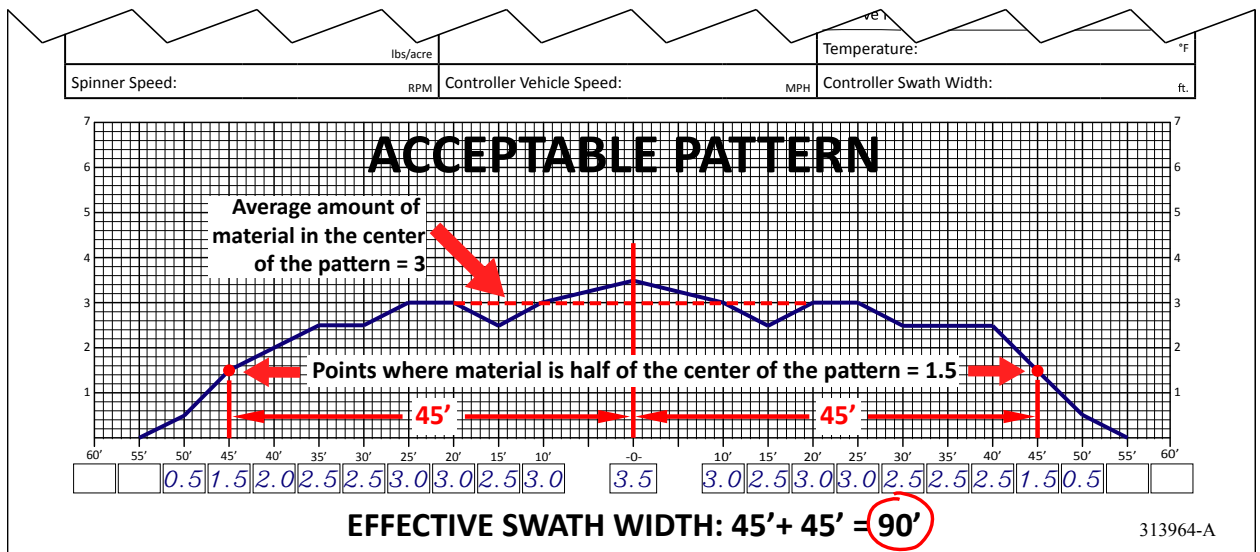


Figure 8 - Effective Swath Width

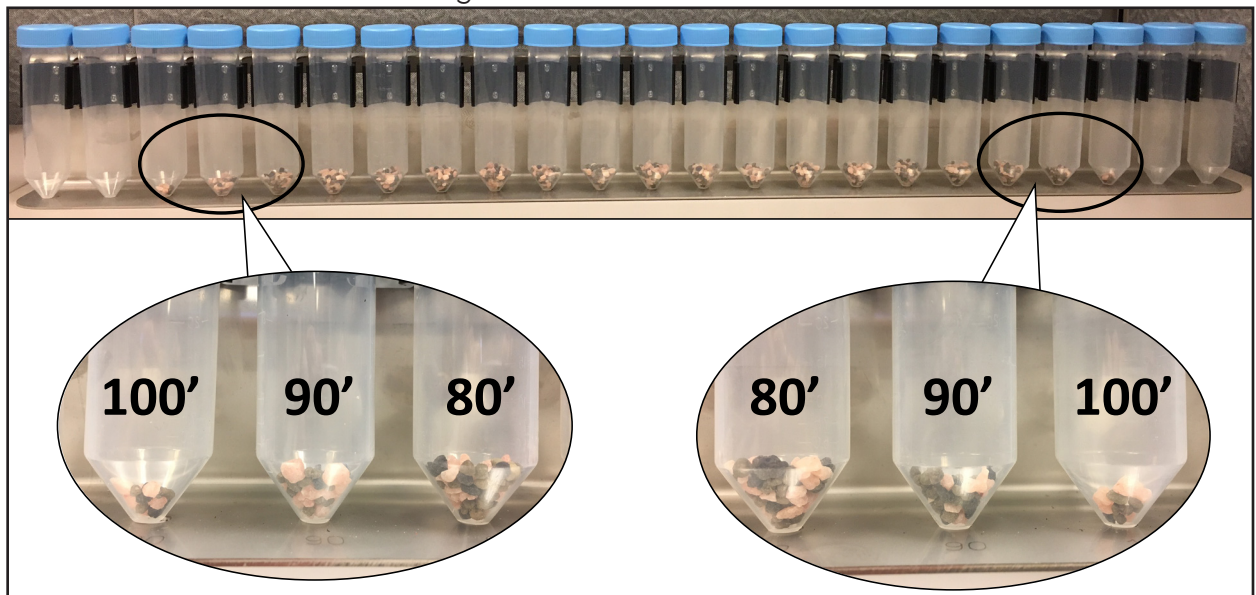


Figure 9

## Verifying Driving Centers

Once optimum driving centers (effective swath width) have been established, conduct a final "S" pass over the trays to verify. Refer to Figure 10.

1. With both the spinners and conveyor turned off, drive the spreader through the center of the course, establishing an "AB" line. If the spreader vehicle is a three-wheel type, remove the center pan.
2. Line the vehicle up with either end of the row of collection trays, at a distance from the "AB" line equal to the effective swath width.
3. With both the spinner and conveyor engaged, drive past the trays.
4. Switch back and drive over the center of the trays, down the "AB" line.
5. Drive through the row of trays and switch back once again, driving past the trays on the opposite side, at an equal distance from the "AB" line as the first pass.

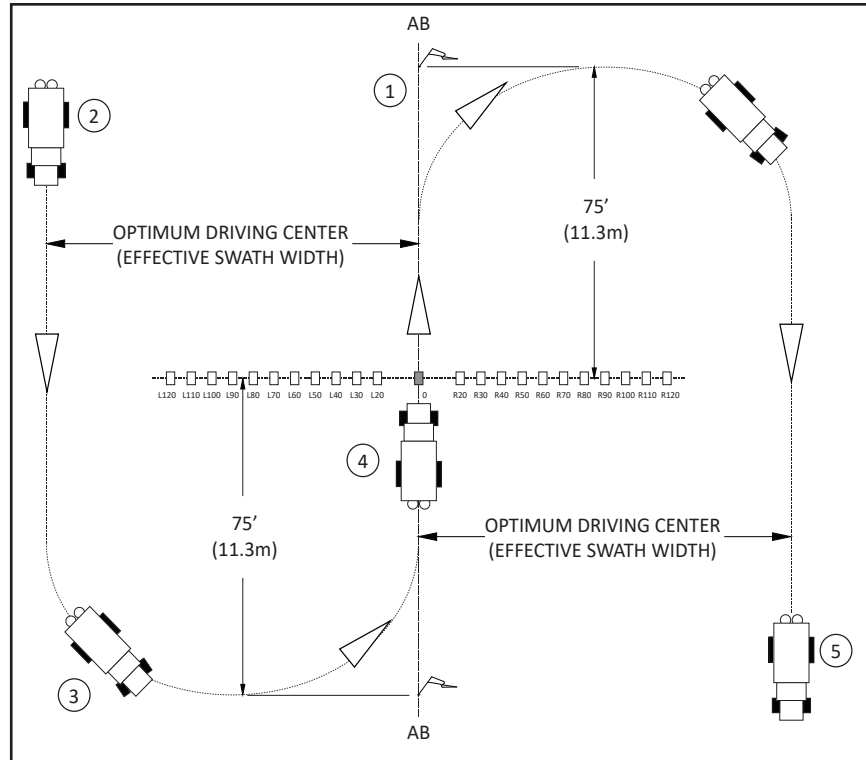


Figure 10

If the driving centers were determined correctly, all trays should have a similar amount of material, showing a near flat profile in the test tubes. If the trays near the center of the row contain more material than the others, increase driving centers. If the trays near the center of the row contain less material, decrease driving centers.

**NOTE:** If spreading a blend of materials, verify blend of all products is consistent across all tubes.

**PARTS**

**Instructions for Ordering Parts****ORDER FROM THE AUTHORIZED DEALER IN YOUR AREA.**

Always give the pertinent model and serial number.

Give part name, part number and the quantity required.

Give the correct address to where the parts are to be shipped, and the carrier if there is a preference.

Unless claims for shortages or errors are made immediately upon receipt of goods they will not be considered. Any part returns should be directed through the dealer from which they were purchased.

When broken goods are received, a full description of the damage should be made by the carrier agent on the freight bill. If this description is insisted upon, full damage can always be collected from the transportation company.

No responsibility is assumed for delay or damage to merchandise while in transit. Our responsibility ceases upon delivery of shipment to the transportation company from whom a receipt is received showing that shipment was in good condition when delivered to them, therefore, claims (if any) should be filed with the transportation company and not with New Leader Manufacturing.

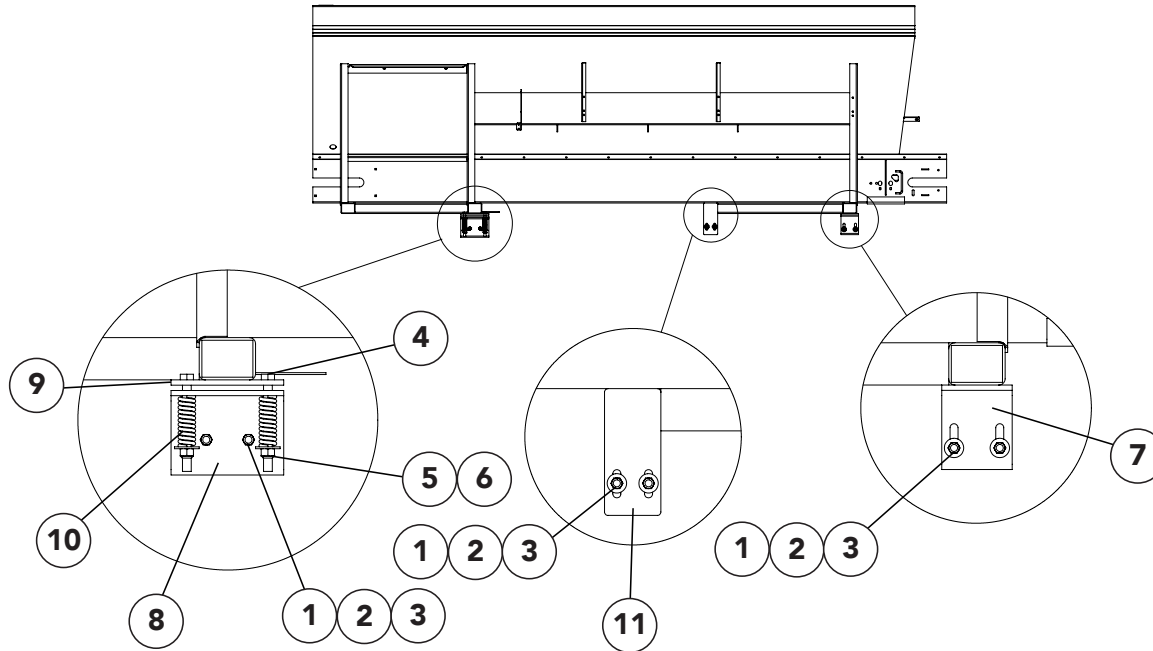
If your claims are not being handled (by the transportation company) to your satisfaction, please call our Product Sales & Support Department at New Leader Manufacturing at 888-363-8006 for assistance.

In the parts list the following symbols and abbreviations stand for:

- \* - Not Shown
- AR - As Required
- CS - Carbon Steel
- SS - Stainless Steel
- NS - Not Serviced

The parts listed under the different steel types (CS, 409 SS and 304 SS) are for that type of unit and do not necessarily mean the part is made of that type of steel.

**Mounting**



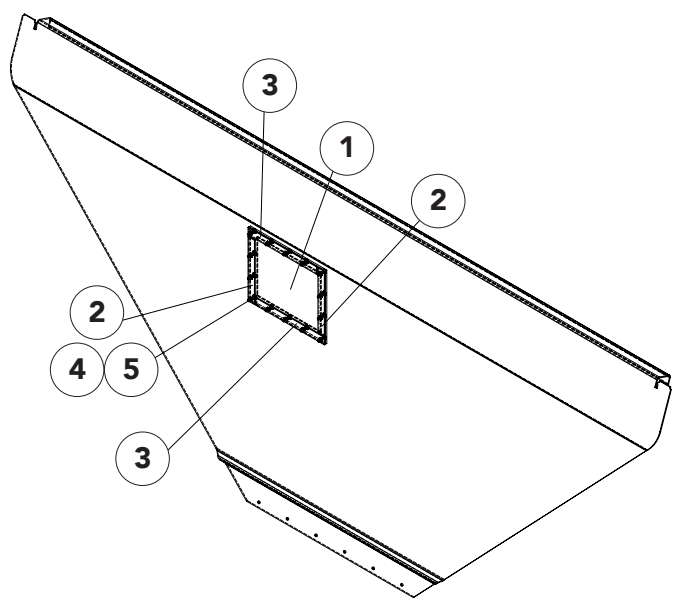
<u>ITEM</u>	<u>PART NO.</u>	<u>DESCRIPTION</u>	<u>QTY</u>
1	20131	Cap Screw - 1/2-13NC x 2	AR
2	20695	Washer - Flat 1/2	12
3	20680	Nut - Lock 1/2-13NC	AR
4	41762	Nut - Lock 5/8-11NC	4
5	20195	Cap Screw - 5/8-11NC x 6-1/2	4
6	20697	Washer - Flat 5/8	4
7	31856	Angle - Mounting	2
8	81847	Angle - Tie Down	2
9	81848	Mounting - Bar	2
10	81000	Spring	4
11	310424	Mounting - Bar	2

AR As Required

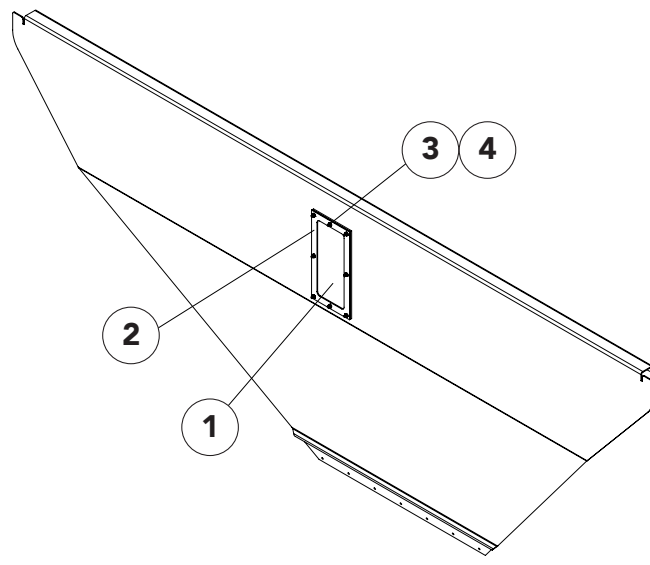


**Body**

**Sight Window**



Type I



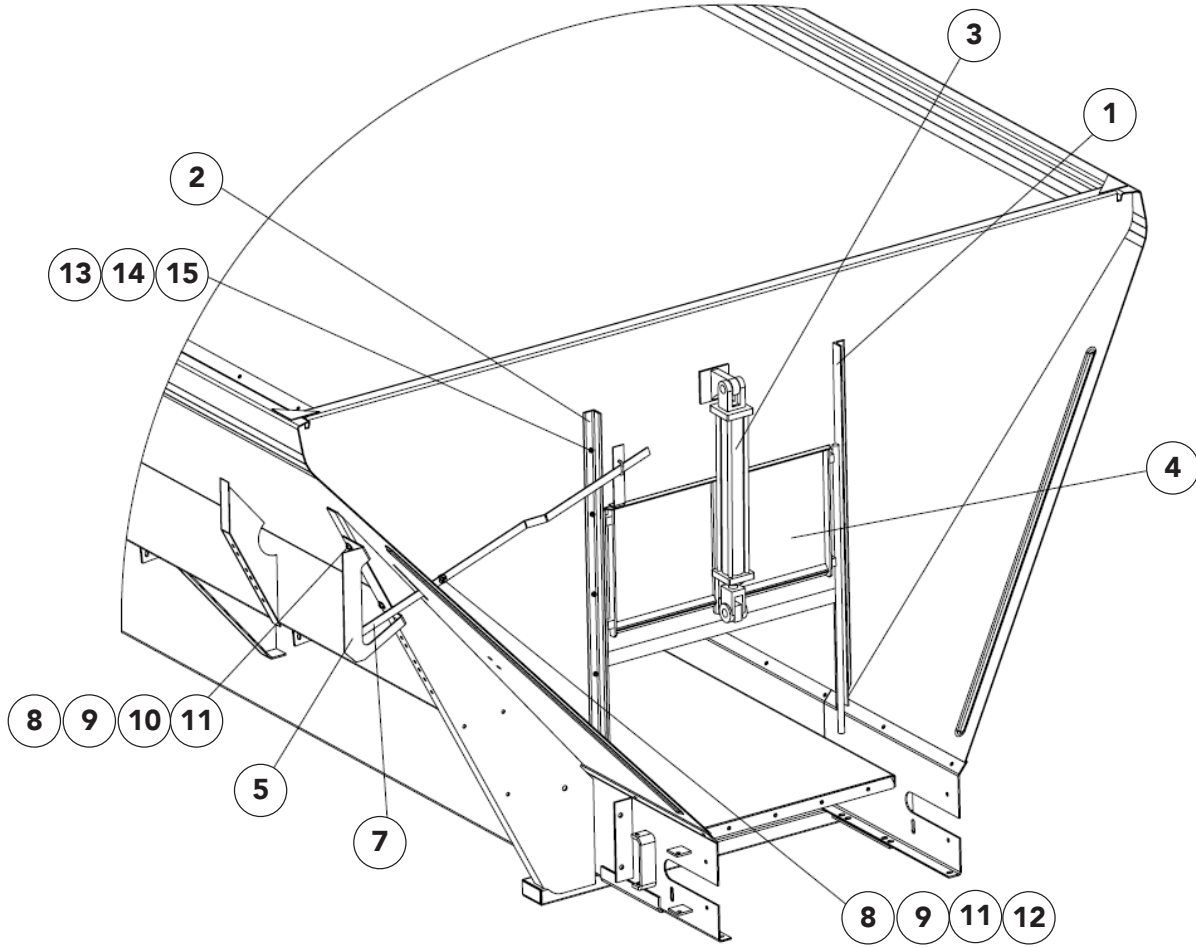
Type II

**Type I**

<u>ITEM</u>	<u>PART NO.</u>	<u>DESCRIPTION</u>	<u>QTY</u>
1	80831	Window - Sight 8 x 10	1
2	80832-X1	Bar - Retainer Side 8 x 10 304	2
3	80833-X1	Bar - Retainer Top & Bottom 8 x 10	2
4	42033	Screw - Truss Head 1/4 x 1 SS	14
5	42034	Nut - Lock 1/4 SS	14

**Type II**

<u>ITEM</u>	<u>PART NO.</u>	<u>DESCRIPTION</u>	<u>QTY</u>
1	302686	Window - Sight 5 x 12	1
2	305687	Window - Frame 5 x 12	2
3	42033	Screw - Truss Head 1/4 x 1 SS	8
4	42034	Nut - Lock 1/4 SS	8

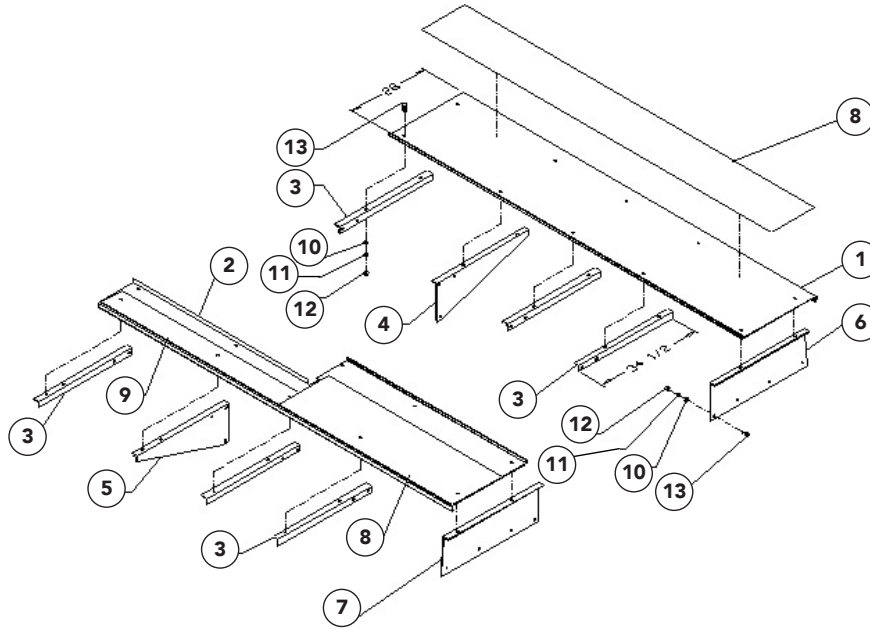


## Feedgate Cont.

ITEM	PART NO.		DESCRIPTION	QTY
	CS	SS		
1	70287	70287-X1	Slide – Wldmt Feedgate RH w/ chain shields	1
	70286	70286-X1	Slide – Wldmt Feedgate RH w/o chain shields	1
2	70289	70289-X1	Slide – Wldmt Feedgate LH w/ chain shields	1
	70288	70288-X1	Slide – Wldmt Feedgate LH w/o chain shields	1
3	320506	320506	Cylinder – Hydraulic	1
4	305488	305486	Feedgate – Wldmt 34" w/ chain shields	1
	305473	303298	Feedgate – Wldmt 34" w/o chain shields	1
5	303379	303325	Bracket – Indicator	1
6	*55395	*55395	Decal – Indicator	1
7	303324	303323	Indicator – Feedgate	1
8	20068	36399	Cap Screw – 3/8-16 x 1-1/4	3
9	20693	36425	Washer – Flat 3/8	6
10	20712	36420	Washer – Lock 3/8	2
11	20644	36414	Nut – Hex 3/8-16	3
12	20678	72054	Nut – Lock 3/8-16	1
13	20004	36394	Cap Screw – 1/4-20 x 7/8	4
14	20710	36418	Washer – Lock 1/4	4
15	20642	36412	Nut – Hex 1/4-20	4
16	*71829	*71829	Screw - Truss Head 3/8-16 x 1 SS	AR
17	*36420	*36420	Washer - Lock 3/8 SS	AR
18	*36414	*36414	Nut - Hex 3/8-16 SS	AR

\* - Not Shown    AR - As Required    NC - Non-Current

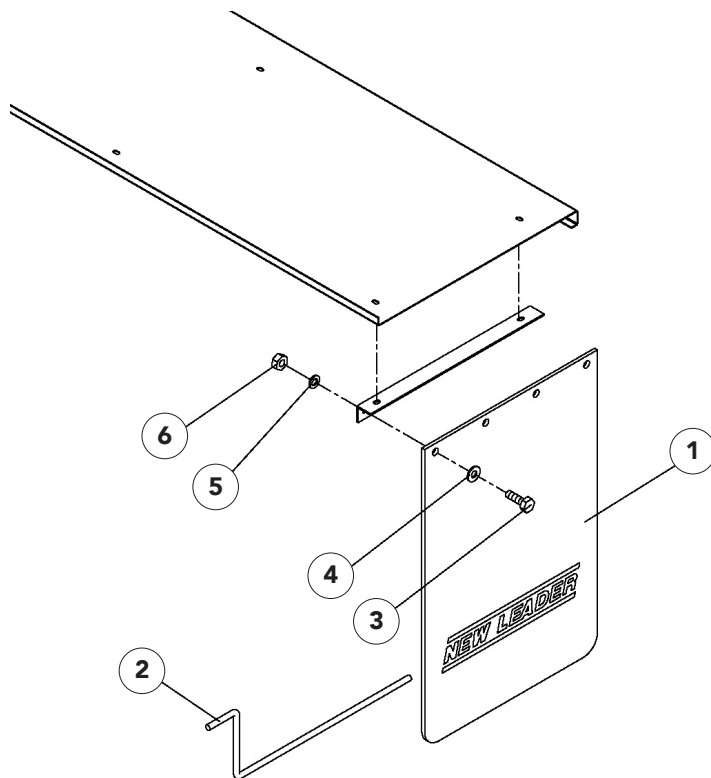
Fenders



ITEM	PART NO.			DESCRIPTION	QTY
	CS	409 SS	304 SS		
1	83027	83043	83059	Fender – RH 13' Unit	1
	83072	83078	83084	Fender – RH 14' Unit	1
	83074	83080	83086	Fender – RH 16' Unit	1
	303375	83080-X2	303377	Fender – RH 18' Unit	1
	304476	306256	304478	Fender – RH 21' Unit	1
2	83035	83051	83067	Fender – LH 13' Unit	1
	83075	83081	83087	Fender – LH 14' Unit	1
	83077	83083	83089	Fender – LH 16' Unit	1
	303376	83083-X2	303378	Fender – LH 18' Unit	1
	304477	306258	304479	Fender – LH 21' Unit	1
3	83021	96969	96969	Angle – Mounting	AR
4	83017	96965	96965	Formed Angle – RH	1
5	83018	96966	96966	Formed Angle – LH	1
6	83019	96967	96967	Formed Angle – RH Rear	AR
7	83020	96968	96968	Formed Angle – LH Rear	AR
8	21699	21699	21699	Material – Non-Skid, 8" Wide Length	AR(2)
9	21699	21699	21699	Material – Non-Skid, 8" Wide Length	AR
10	20693	36425	36425	Washer – Flat 3/8	AR
11	20712	36420	36420	Washer – Lock 3/8	AR
12	20644	36414	36414	Nut – Hex 3/8	AR
13	20318	36408	36408	Bolt – Carriage 3/8 x 1	AR

**Body**

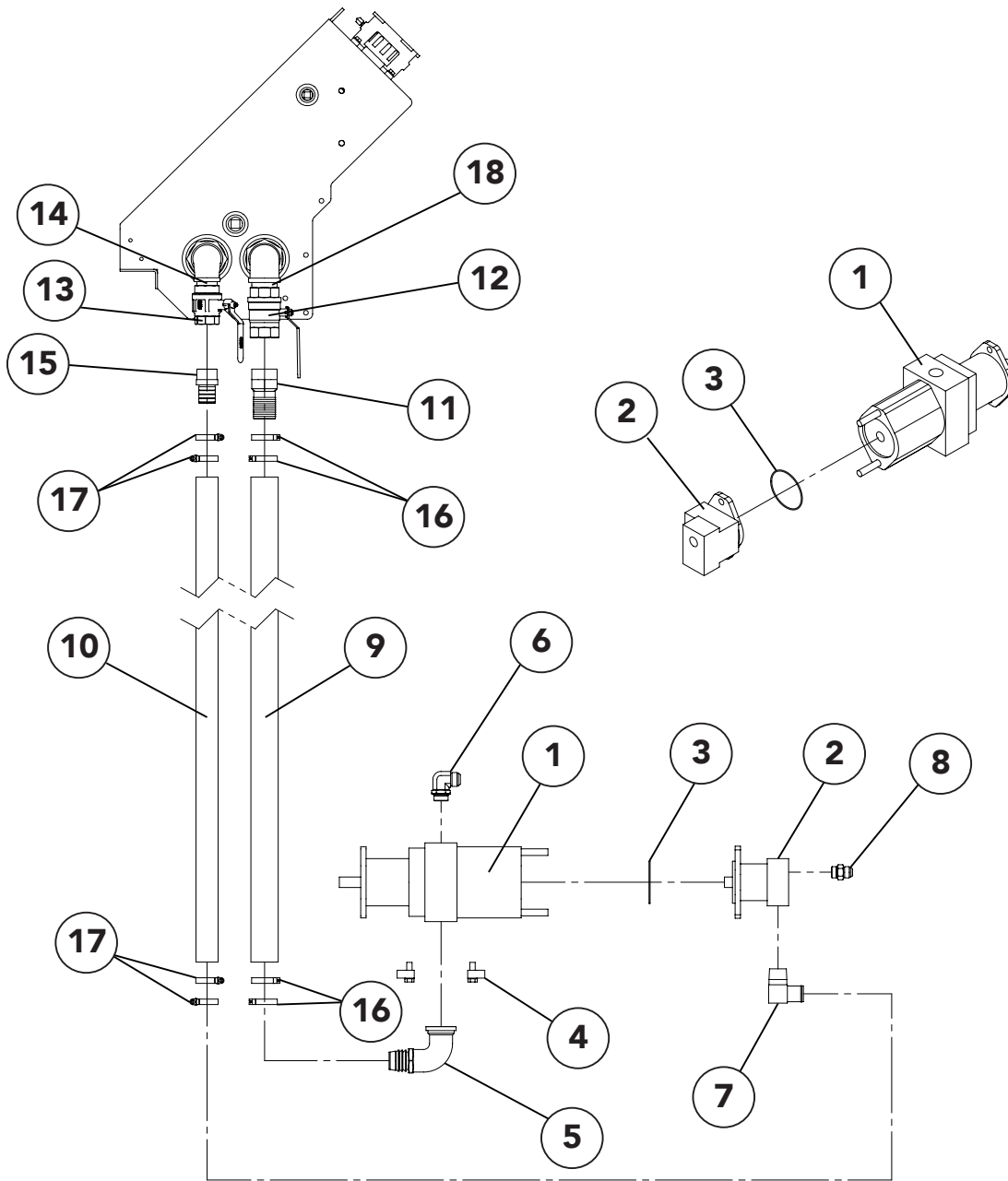
**Mud Flaps**



ITEM	PART NO.	DESCRIPTION	QTY
	46474	Hardware – Kit, Includes 3-6	
1	21770	Mudflap – Plain	2
	* 304245	Mudflap – Midguard	2
2	36844	Rod – Mudflap	2
3	20067	Cap Screw – 3/8-16 x 1	8
4	20693	Washer – Flat 3/8	8
5	20712	Washer – Lock 3/8	8
6	20644	Nut – Hex 3/8-16	8

\* - Not Shown

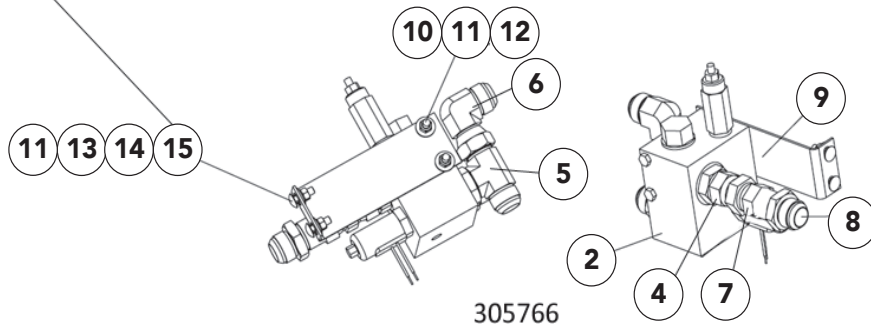
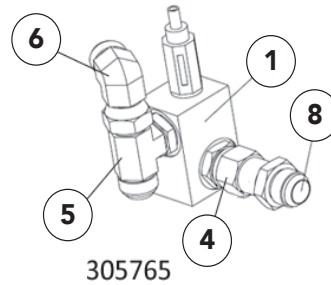
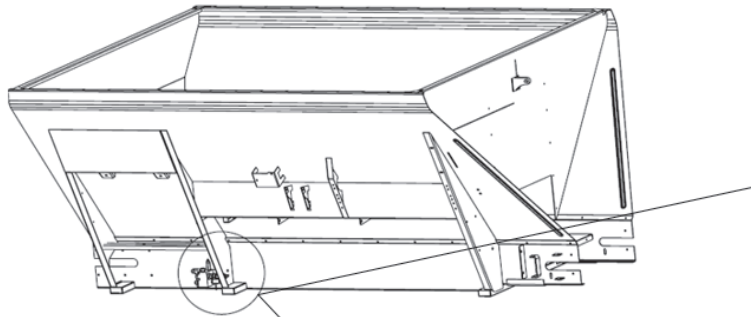
Pump Hydraulics



**Pump Hydraulics Cont.**

<u>ITEM</u>	<u>PART NO.</u>	<u>DESCRIPTION</u>	<u>QTY</u>
1	304428	Pump - 3.19 CID	1
2	304426	Pump - 2.17 CID	1
3	300669	O-Ring - 4" ID	1
4	41015	Kit - Flange Split	1
5	34806	Fitting- 32-32 12151-3-E90S-L	1
6	29840	Fitting- Elbow 90°	1
7	304427	Fitting - 20-20 430260	1
8	29789	Fitting - 12-12 070120	1
9	32401-108	Hose - Suction 2" 100R4 x 108"	1
10	23184-108	Hose - Suction 1-1/4 100R4 x 108	1
11	29811	Fitting - Hose End 2NPT x 2 Hose	2
12	305060	Valve - Ball 2" NPT	1
13	305059	Valve - Ball 1-1/2" NPT	1
14	6028	Nipple - 1.25" NPT	1
15	16582	Fitting - Hose Barb	1
16	22380	Clamp - Hose	4
17	6335	Clamp - Hose	4
18	22324	Nipple - 2" NPT	1

**Relief Valve Groups**



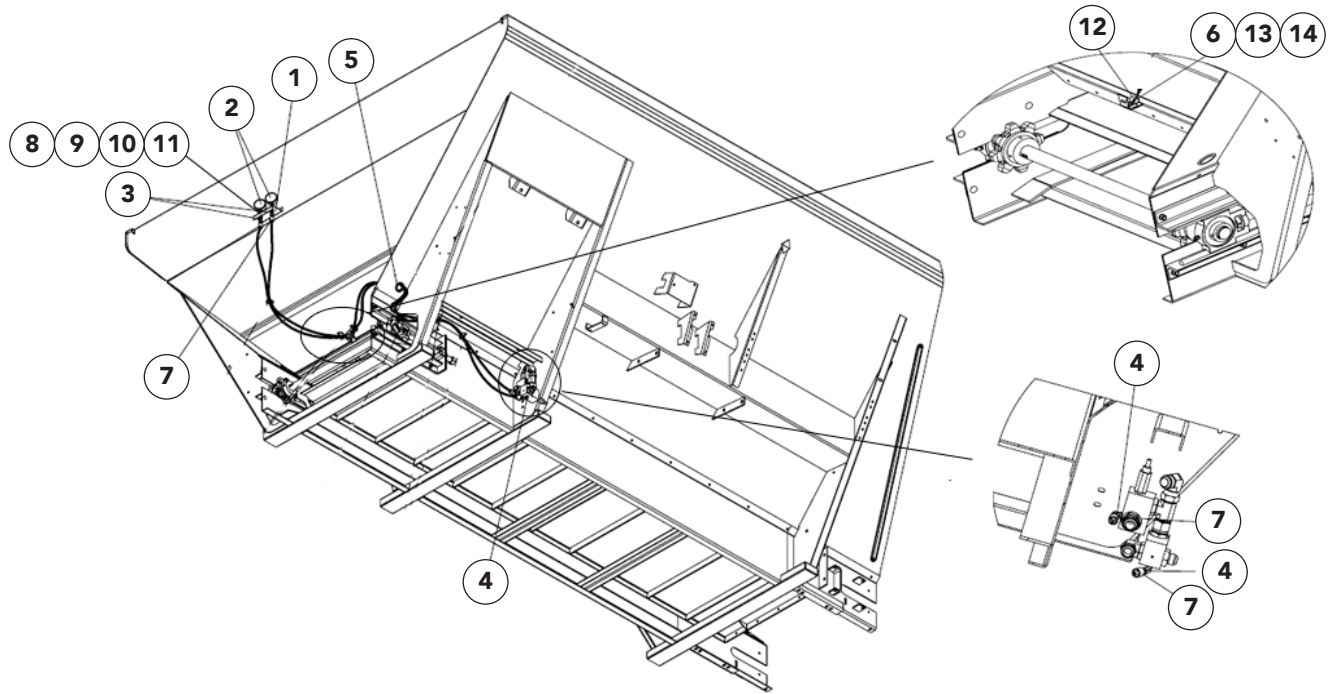
<u>ITEM</u>	<u>PART NO.</u>	<u>DESCRIPTION</u>	<u>QTY</u>
	305763	Valve - Assy Relief, Includes 1,3-6	
	305764	Valve - Assy Relief/Unloader, Includes 2,3,5-7	
1	98109	Valve - Relief Soft Start	1
2	56291	Valve - Relief/Unloader 3100 PSI	1
3	*29803	Fitting - 16-16 070120	2
4	34810	Fitting - 16-16 S1040-30 Non Standard	1
5	34750	Fitting - 16-16-16 070429	2
6	29807	Fitting - 16-16 070221	2
7	302449	Fitting - Union	1
8	34747	Fitting - 16-16 070601	2
9	305035	Bracket - Unloader Valve	1
10	84599	Cap Screw - 5/16-18 x 5 SS	2
11	36424	Washer - Flat 5/16	4
12	42221	Nut - Lock 5/16-18 SS	2
13	42639	Bolt - Carriage 5/16 x 1 SS	2
14	36413	Nut - Hex 5/16-18 SS	2
15	36419	Washer - Lock 5/16 SS	2

\* - Not Shown





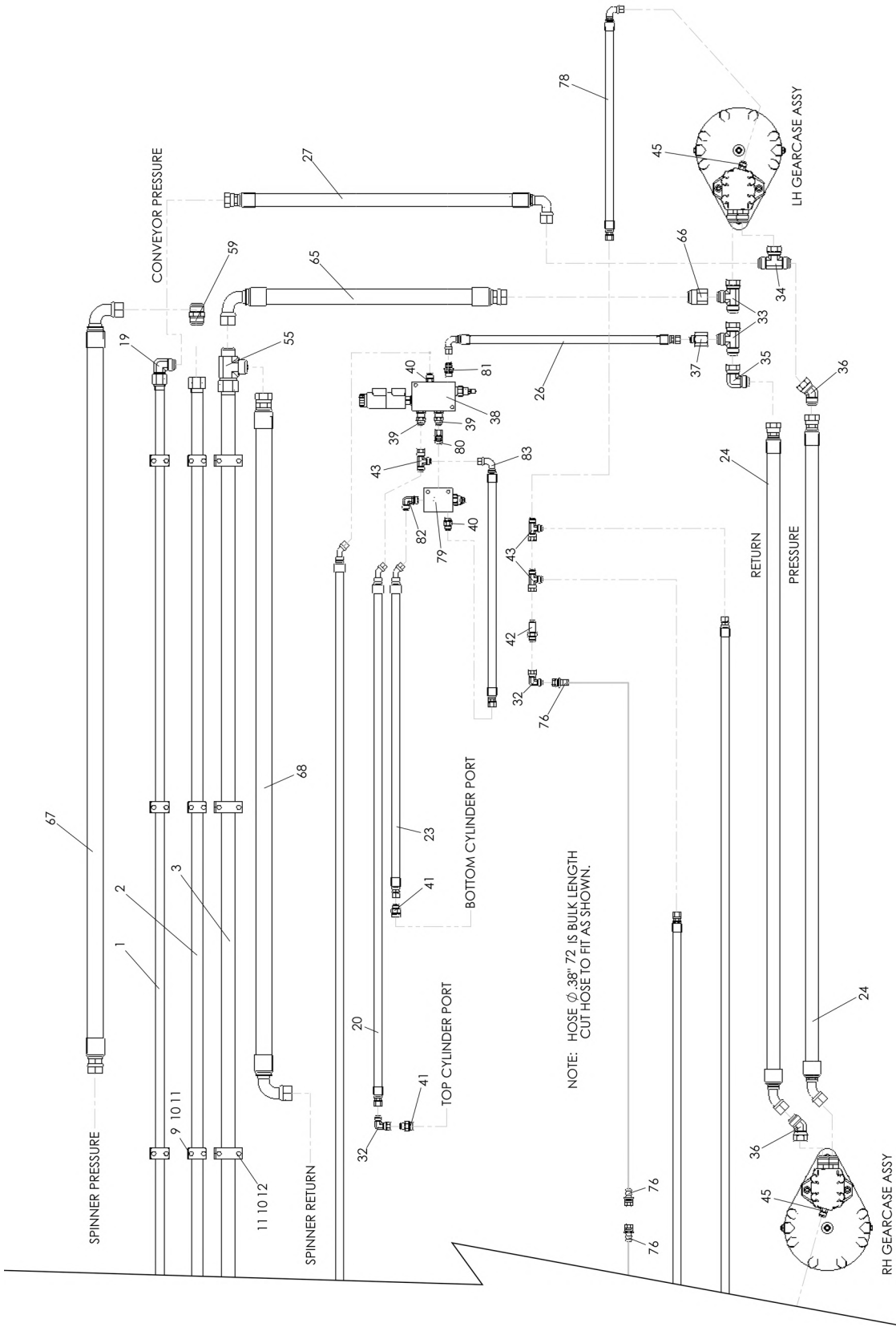
## Pressure Gauge Kit



ITEM	PART NO.	DESCRIPTION	QTY
1	304948	Bracket - Wldmt Gauge	1
2	76044	Gauge - Hyd. 5000 PSI	2
3	29765	Fitting - 4-4 070102	2
4	29795	Fitting - 4-4- 070220	2
5	34129	Grommet	1
6	36412	Nut - Hex 1/4-20 SS	1
7	307509	Hose - 1/4" dia 100\$2 x 120"	2
8	34580	Cap Screw - 5/16-18 x 1 SS	2
9	36424	Washer - Flat 5/16 SS	2
10	36419	Washer - Lock 5/16 SS	2
11	36413	Nut - Hex 5/16-18 SS	2
12	26562	Clamp - Tubing	1
13	36393	Cap Screw - 1/4-20 x 3/4 SS	1
14	36418	Washer - Lock 1/4 SS	1

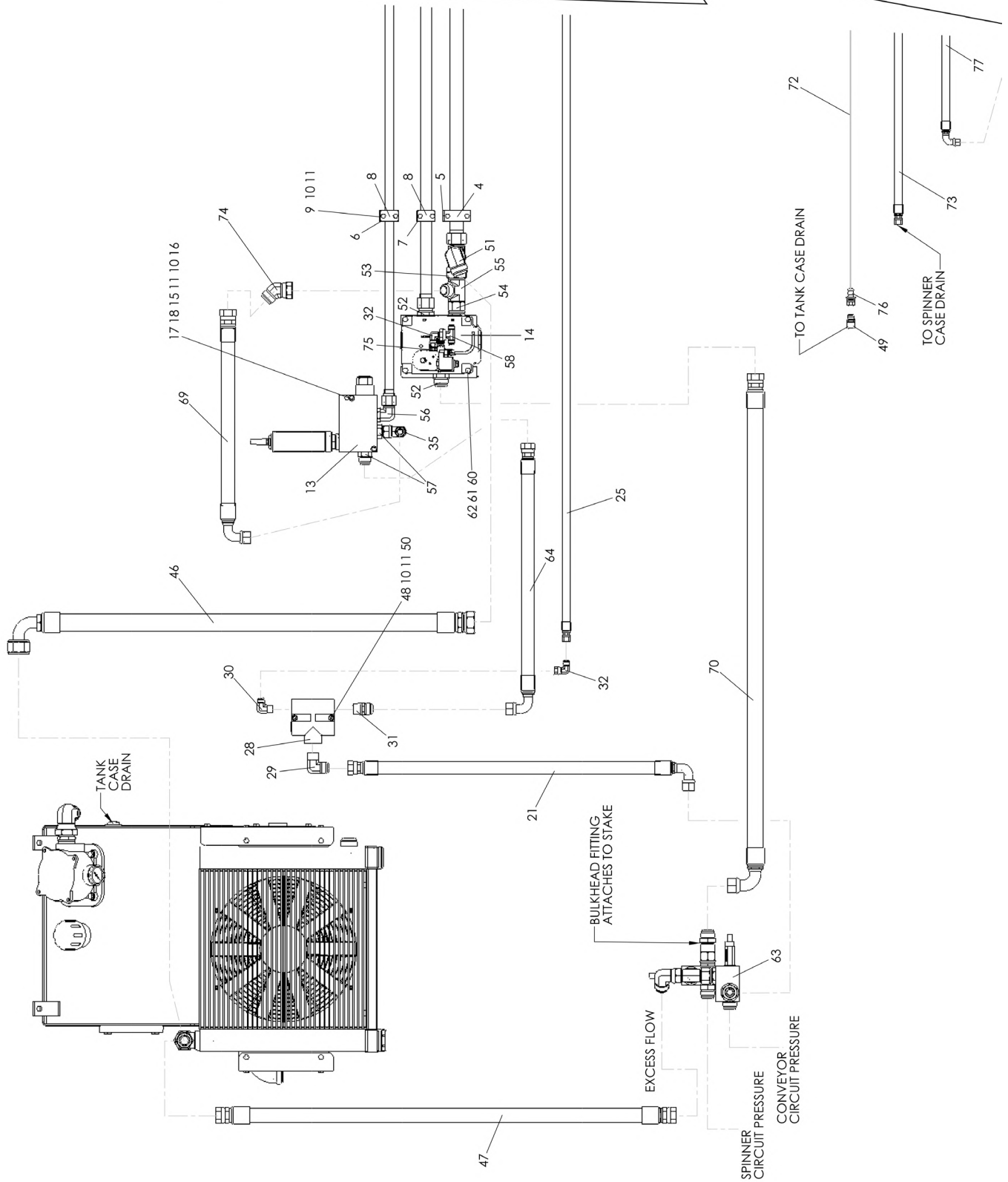
# Body Hydraulics Main Bin

L5034G4



# Body Hydraulics Main Bin Cont.

L5034G4



This page is intentionally left blank.

**Body Hydraulics****Main Bin Cont.**

ITEM	PART NO.	DESCRIPTION	QTY
1	305504-AB	Tube – Assy 13'	1
	305504-AC	Tube – Assy 14'	1
	305504-AD	Tube – Assy 16'	1
	305504-AE	Tube – Assy 18'	1
	305504-AF	Tube – Assy 21'	1
2	315793	Tube – Assy 13'	1
	315794	Tube – Assy 14'	1
	315795	Tube – Assy 16'	1
	98121-X3	Tube – Assy 18'	1
	98121-X5	Tube – Assy 21'	1
3	305502-AB	Tube – Assy 13'	1
	305502-AC	Tube – Assy 14'	1
	305502-AD	Tube – Assy 16'	1
	305502-AE	Tube – Assy 18'	1
	305502-AF	Tube – Assy 21'	1
4	96925	Plate – Top 1-1/4 Tube	AR
5	96926	Clamp – Pair 1-1/4 Tube	AR
6	98649	Clamp - Pair 3/4 Tube	AR
7	86557	Clamp – Pair 1 Tube	AR
8	86556	Plate – Top 1 Tube	AR
9	34865	Cap Screw – 1/4 x 2-1/4	AR
10	36412	Nut – Hex 1/4-20NC x 2-1/4	AR
11	36418	Washer – Lock 1/4 SS	AR
12	36396	Cap Screw – 1/4 x 3 SS	AR
13	317773	Valve - Assy Control 30GPM PWM	1
14	38576-X4	Valve – PWM	1
15	302097	Washer – Step	2
16	302098	Washer – Step	2
17	56396	Cap Screw – 1/4-20 x 3-1/4	2
18	36423	Washer – Flat 1/4 SS	4
19	29785	Fitting – 12-12 070201	1
20	305521	Hose – Assy 3/8 x 48-3/4" 100R1	1
21	305522	Hose - Assy 3/4 x 36" 100R12	1
22	305523	Hose - Assy 3/4 x 72"	1

AR - As Required

## Main Bin Cont.

ITEM	PART NO.	DESCRIPTION	QTY
23	304907-X1	Hose - Assy 3/8 x 30" 100R1	1
24	305752	Hose - Assy 3/4 x 71-1/2 100R12	1
25	305526	Hose - Assy 13'	1
	305527	Hose - Assy 14'	1
	305528	Hose - Assy 16'	1
	305529	Hose - Assy 18'	1
	305530	Hose - Assy 21'	1
26	305531	Hose - Assy 3/8 x 24 100R1	1
27	98710-X2	Hose - Assy 3/4 x 33-1/2 100R12	1
28	30744	Valve - Flow Control	1
29	29764	Fitting - 12 070202	1
30	34779	Fitting - 6-6 070202	1
31	29752	Fitting - 12-12 070102	1
32	34816	Fitting - 6-6 070221	2
33	29781	Fitting - 12-12-12 070432	2
34	29809	Fitting - 12-12-12 070433	1
35	34709	Fitting - 12-12 070221	2
36	29782	Fitting - 12-12 070321	2
37	56407	Fitting 12-6 070123	1
38	315986	Valve - Directional/Relief	1
39	305520	Fitting - 6-6 S1040-58 Non Standard	2
40	29824	Fitting - 6-6 070120	3
41	84246	Fitting - 6-8 070120	2
42	305514	Fitting - 6-8 070120	1
43	98724	Fitting - 6-6-6 070432	2
44	34761	Fitting - Socketless	4
45	34757	Fitting - 6-4 070120	2
46	98662-X1	Hose - 1-1/4 2CB x 73	1
47	82377-X2	Hose - 1 x 48-5/8 2CB Return	1
48	34501	Cap Screw - 1/4-20NC x 2-1/2 SS	2
49	29766	Fitting - 6-6 070102	1
50	36414	Nut - Hex 3/8	2
51	98568	Fitting - 20-20 070221	1
52	29803	Fitting - 16-16 070120	2

AR - As Required

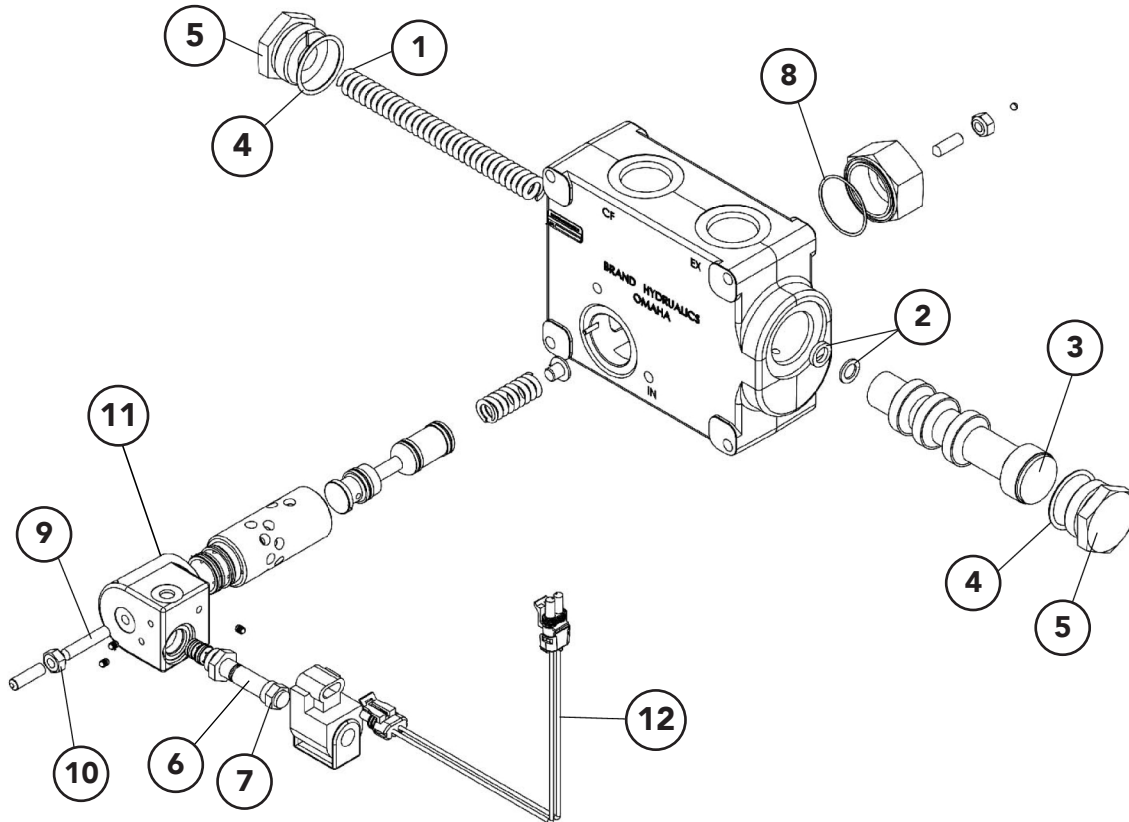


## Main Bin Cont.

ITEM	PART NO.	DESCRIPTION	QTY
53	96909	Tee – Run	1
54	34810	Fitting – 16-16 S1040-30 Non Standard	1
55	96912	Tee – Union	2
56	29847	Fitting – 12-12 070220	1
57	29789	Fitting – 12-12 07120	2
58	29825	Fitting – 6-6-6 070433	1
59	34719	Fitting – 16-16 070101	1
60	42794	Cap Screw – 5/16 x 3-3/4 SS	1
61	36413	Nut – Hex 5/16-18	4
62	36419	Washer – Lock 5/16	4
63	305503	Valve – Assy Relief 34100 PSI, Includes 63-66	4
64	98710	Hose – 3/4 100R12 x 28 Assy	1
65	98665	Hose – 1 2CB x 29 Return	1
66	34712	Fitting – 12-16 070123	1
67	56441	Hose Assy 1 x 86 100R12	1
68	95958	Hose Assy 1 x 72.7 100R2	1
69	98669-X2	Hose Assy 3/4 x 24 2CB Return	1
70	305524	Hose Assy 1x 50 100R12	1
71	*96906	Sleeve – Abrasive	4
72	34195	Hose - Case Drain 3/8	AR
73	96338-X1	Hose – Assy 3/8 x 62" 100R1	1
74	29806	Fitting – 16-16 070321	1
75	34757	Fitting - 6-4 070120	1
76	34761	Fitting - Socketless 3/8 x 9/16 JIC	4
77	97315	Hose - Assy 3/8 x 84" 100R1	1
78	305531	Hose - Assy .38 X 24" 100R1	1
79	315987	Valve - Counter Balance	1
80	315984	Fitting - 6-6 S1040-30 Non Standard	1
81	315985	Valve - Check 6-JIC X 6-ORB	1
82	29774	Fitting - 6-6 070220	1
83	308841	Hose - Assy .38 100R1 X 20.5	1

AR - As Required

PWM Spinner Valve



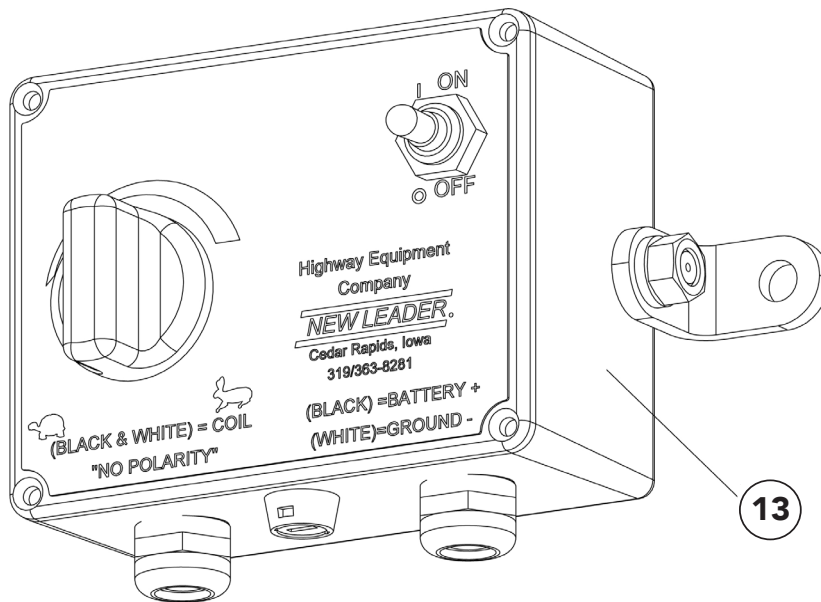
ITEM	PART NO.	DESCRIPTION	QTY
	38576-X4	Valve - Flow Control Electric Actuated	1
1	53960	Spring	1
2	90696	Shim	2
3	90697	Spool	1
4	90698	O-Ring	1
5	90699	Plug	2
6	38576-AA	Cartridge	1
7	38576-AG	Nut - Cartridge	1
8	38576-AC	O-Ring	1
9	38576-AD	Screw - Set	1
10	38576-AE	Nut - Jam	1
11	38576-AF	Cartridge Valve Body	1
12	38576-AI	Cable Assy	1
13	*38576-AH	Valve - Kit Seal	1

\* - Not Shown    AR - As Required



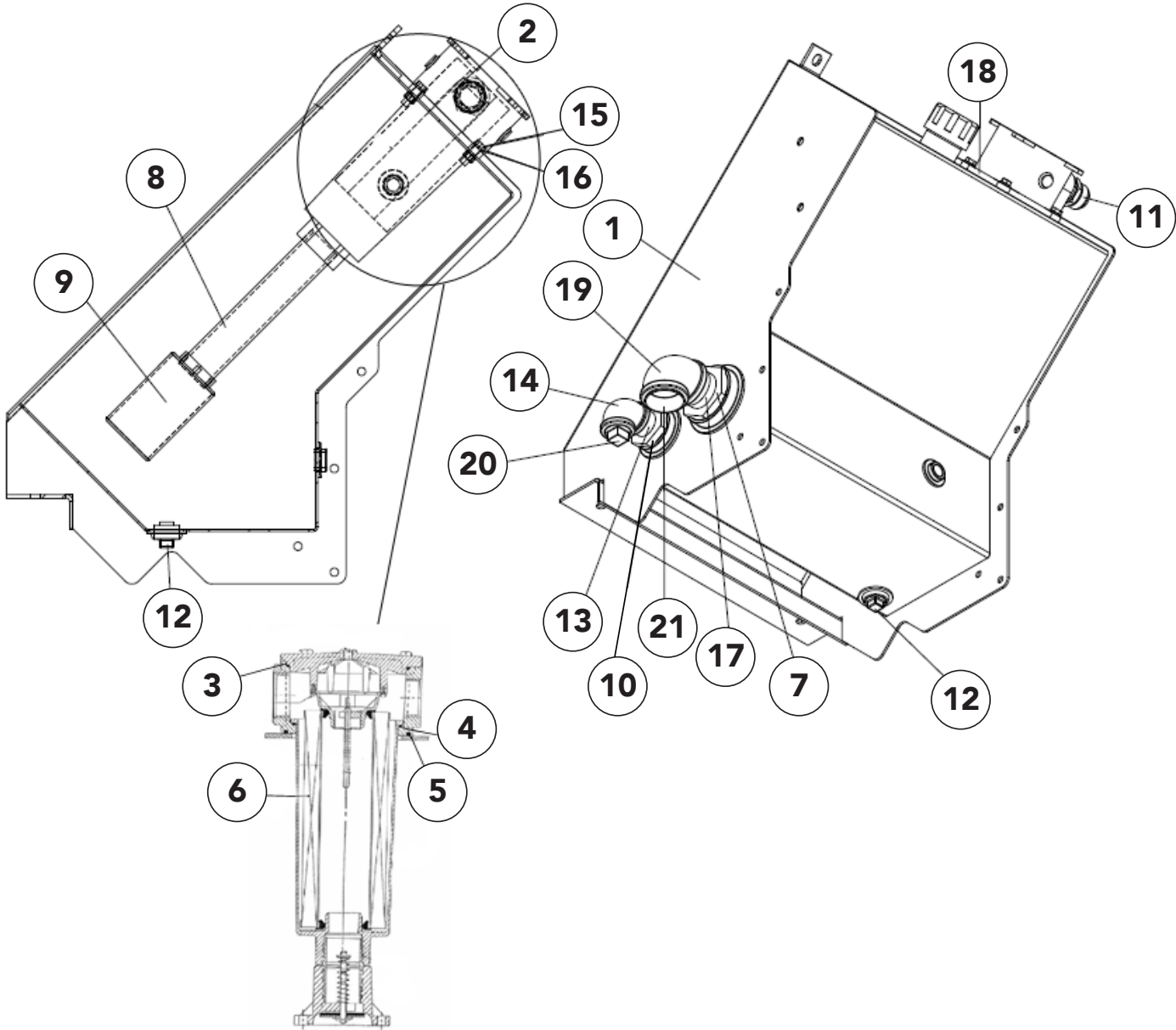
**Body Hydraulics**

**PWM Spinner Speed Controller**



<u>ITEM</u>	<u>PART NO.</u>	<u>DESCRIPTION</u>	<u>QTY</u>
13	88260	Control Box - w/ 25' Cable	1
* - Not Shown			

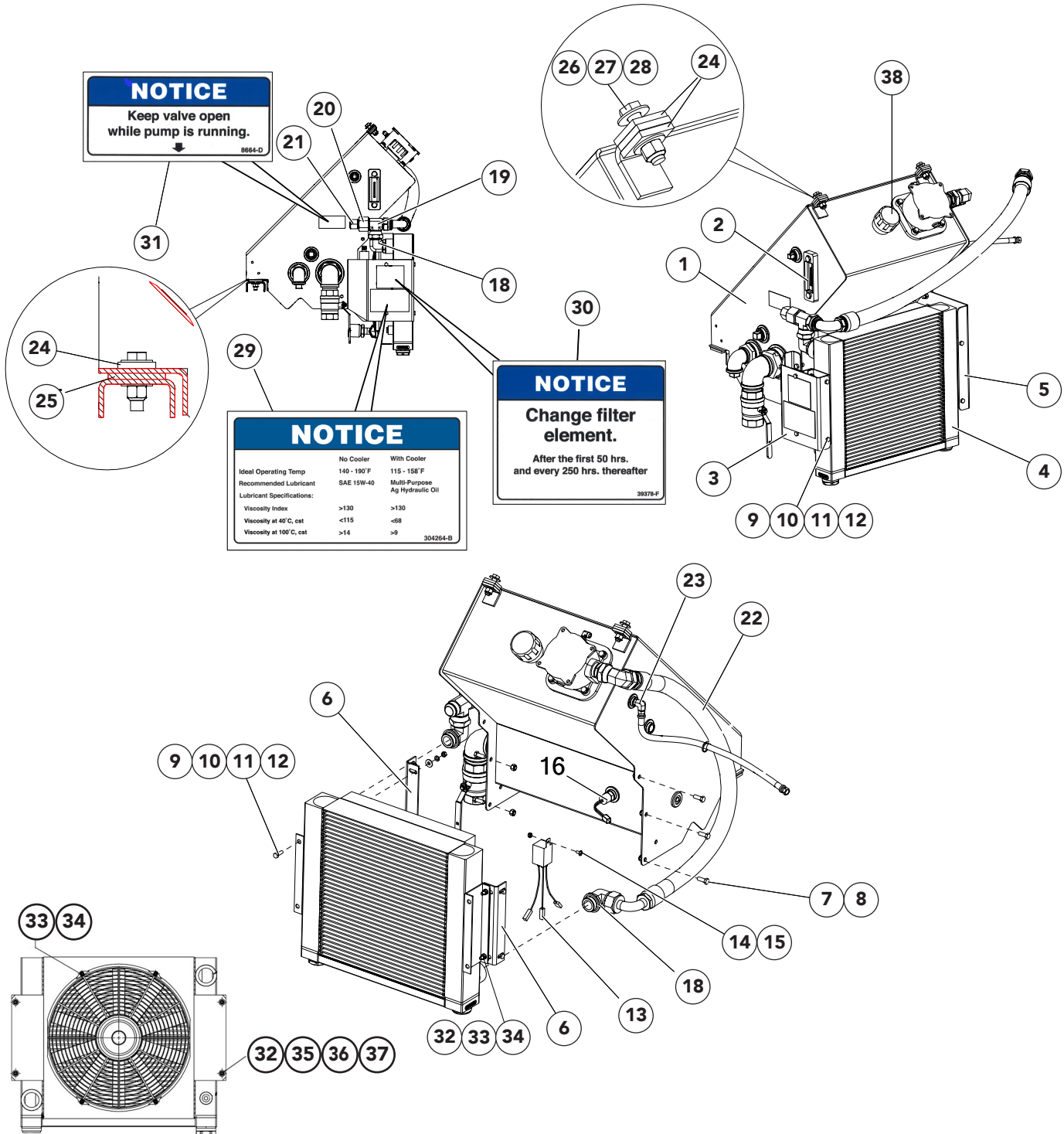
Hydraulic Reservoir



**Body Hydraulics****Hydraulic Reservoir Cont.**

<u>ITEM</u>	<u>PART NO.</u>	<u>DESCRIPTION</u>	<u>QTY</u>	
	<u>CS</u>	<u>304 SS</u>		
	305054	306080	Hydraulic Reservoir Assy	1
1	305050	306074	Reservoir – Hydraulic Wldmt	1
2	88838	88838	Filter – Return, Includes 3-6	1
3	306772	306772	O-Ring - Cover Filter	1
4	306773	306773	O - Ring - Housing Filter	1
5	306789	306789	Seal - Filter Assy	1
6	305066	305066	Element - Filter	1
7	305063	305063	Strainer – 2 NPT	1
8	305058	305058	Pipe – 1.5 SCH40 10	1
9	305057	305057	Diffuser – Tank	1
10	305062	305062	Strainer – 1-1/4 NPT	1
11	29768	29768	Fitting – 20-20 070102	1
12	305061	305061	Plug – Magnetic 1 NPT	1
13	6028	6028	Nipple - Close 1-1/4 NPT	1
14	6011	6011	Elbow 90° 1-1/4 NPT	1
15	20068	36399	Cap Screw – 3/8-16 x 1-1/4	4
16	20712	36420	Washer – Lock 3/8	4
17	22324	22324	Nipple - Close 2 NPT STD	1
18	306186	306186	Gasket Maker - Silicone	1
19	23703	23703	Adapter - Elbow 90° 2 NPT	1
20	6035	6035	Plug - Pipe 1-1/4 NPT	1
21	306301	306301	Plug - Tapered 2 NPT	1
22	96747	96747	Filler - Weld In Neck	1
-	320410	320410	Filler - Cap Breather	1

## Hydraulic Reservoir w/ Cooler



**Body Hydraulics****Hydraulic Reservoir w/ Cooler**

<u>ITEM</u>	<u>PART NO.</u>	<u>DESCRIPTION</u>	<u>QTY</u>
1	311735	Hydraulic Reservoir Assy	1
2	38575	Gauge – Sight & Temperature	1
3	305761	Bracket – Cooler LH	1
4	305767	Cooler – Assy	1
	*305767-AA	Core - Cooler	1
	*305767-AB	Fan - Assy Cooler	1
	*305767-AC	Housing - Cooler	1
5	305760	Bracket – Cooler RH	1
6	306447	Bracket - Cooler Mount	2
7	36398	Cap Screw – 3/8-16NC x 1 SS	5
8	72054	Nut – Lock 3/8 SS	5
9	34580	Cap Screw - 5/16 x 1	8
10	36424	Washer – Flat 5/16	8
11	36419	Washer – Lock 5/16 SS	8
12	36413	Nut – Hex 1/3-18NC SS	8
13	312271	Relay – 12VDC 40A	1
14	56258	Screw – Truss Head 1/4-20 x 1/2 SS	1
15	42034	Nut – Lock 1/4-20 SS	1
16	305074	Switch – Temperature 114°	1
17	98568	Fitting – 20-20 070221	1
18	96916	Fitting – 20-20 070220	2
19	56267	Fitting – 20-20 070433	1
20	34819	Fitting – 20-16 070123	1
21	29802	Fitting - 16 070123	1
22	98662	Hose – 1-1/4" x 48" 100R4	1
23	34779	Fitting - 6-6 070202	1
24	39159	Belt - Spacer	6
25	39158	Belt - Flex Mount	2
26	36426	Washer - Flat 1/2 SS	6
27	36403	Cap Screw - 1/2-13NC x 2 SS	4
28	39016	Nut - Lock 1/2-13NC SS	4

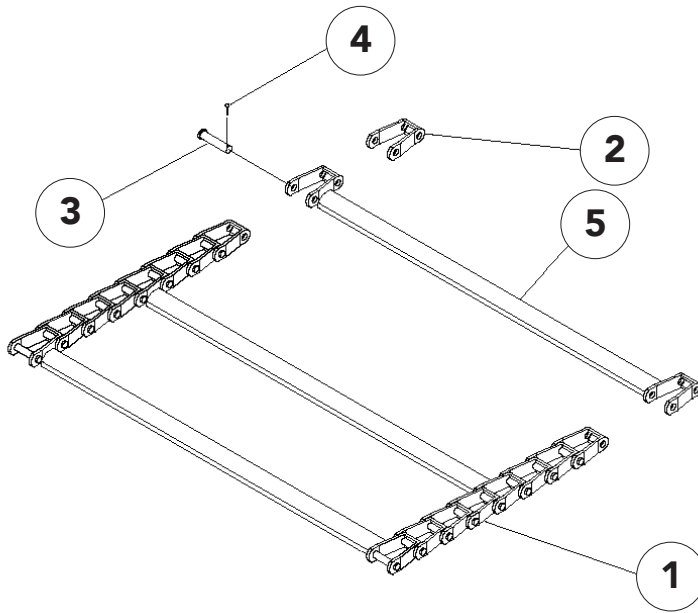
**Hydraulic Reservoir w/ Cooler**

<u>ITEM</u>	<u>PART NO.</u>	<u>DESCRIPTION</u>	<u>QTY</u>
29	304264	Decal - Important Cooler	1
30	39378	Decal - Change Filter Element	1
31	8664	Decal - Important Keep Valve Open	1
32	319927	Screw - Sockethead .313-18 Nc X .5 SS	4
33	319928	Washer - Lock M6	4
34	319929	Screw - Sockethead M6-20	4
35	20711	Washer - Lock .313 Zn	4
36	20677	Nut - Lock .313-18nc Zn	4
37	20692	Washer - Flat .313 Zn	8
38	96747	Filler - Weld In Neck	1
-	320410	Filler - Cap Breather	1

\* - Not Shown

This page is intentionally left blank.

#1 Bar Chain Conveyor



#1 – Cross bars every 3rd link

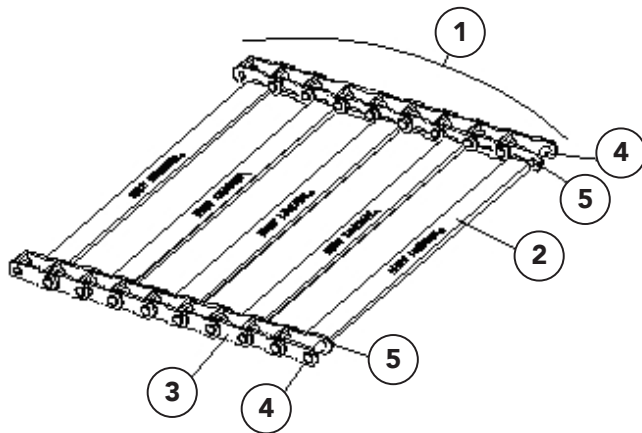
ITEM	PART NO.	DESCRIPTION	QTY
1	305774-AB	#1 Pintle Chain – 13' Unit	1
	305774-AC	#1 Pintle Chain – 14' Unit	1
	305774-AD	#1 Pintle Chain – 16' Unit	1
	305774-AE	#1 Pintle Chain – 18' Unit	1
	305774-AF	#1 Pintle Chain – 21' Unit	1
2	36699	Link – Pintle	AR
3	36697	Pin – Chain	AR
4	20817	Pin – Cotter	AR
5	95850-X1	Cross Bar Wldmt	AR

AR – As required

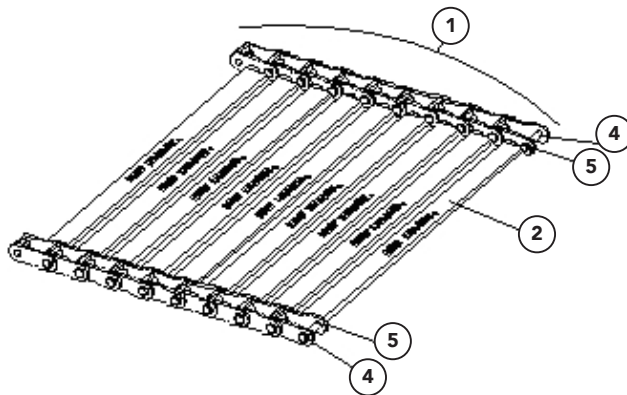


**Conveyor**

**#2 & #3 Bar Chain Conveyors**



#2 – Cross bars every other link

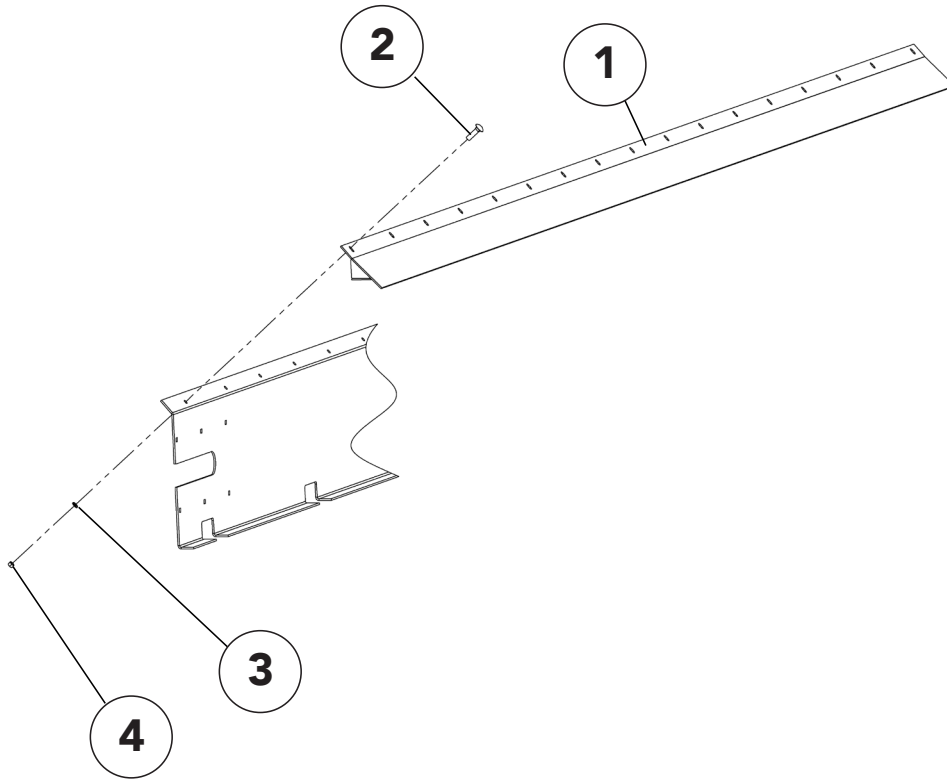


#3 – Cross bars every link

ITEM	PART NO.		DESCRIPTION	QTY
	#2	#3	Chain – Assy	
1	304465-AB	304466-AB	13' Unit	1
	304465-AC	304466-AC	14' Unit	1
	304465-AD	304466-AD	16' Unit	1
	304465-AE	304466-AE	18' Unit	1
	304465-AF	304466-AF	21' Unit	1
2	95850	95850	Crossbar Wldmt	AR
3	36699	36699	Link – Pintle Chain	AR
4	36697	36697	Pin – Pintle Chain	AR
5	20817	20817	Pin – Cotter	AR

AR - As Required

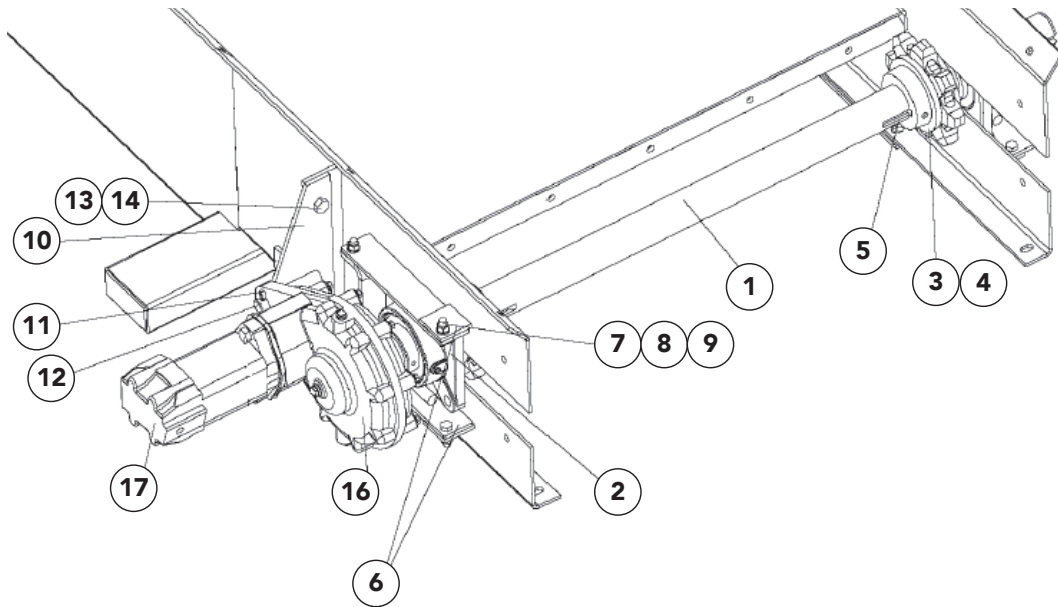
Chain Shields



ITEM	PART NO.	DESCRIPTION	QTY
1		Chain Shield – Chain	
	305450-AB	13' Unit	2
	305450-AC	14' Unit	2
	305450-AD	16' Unit	2
	305450-AE	18' Unit	2
	305450-AF	21' Unit	2
2	71829	Bolt – Carriage 3/8 x 1	AR
3	36420	Washer – Lock 3/8	AR
4	36414	Nut – Hex 3/8	AR

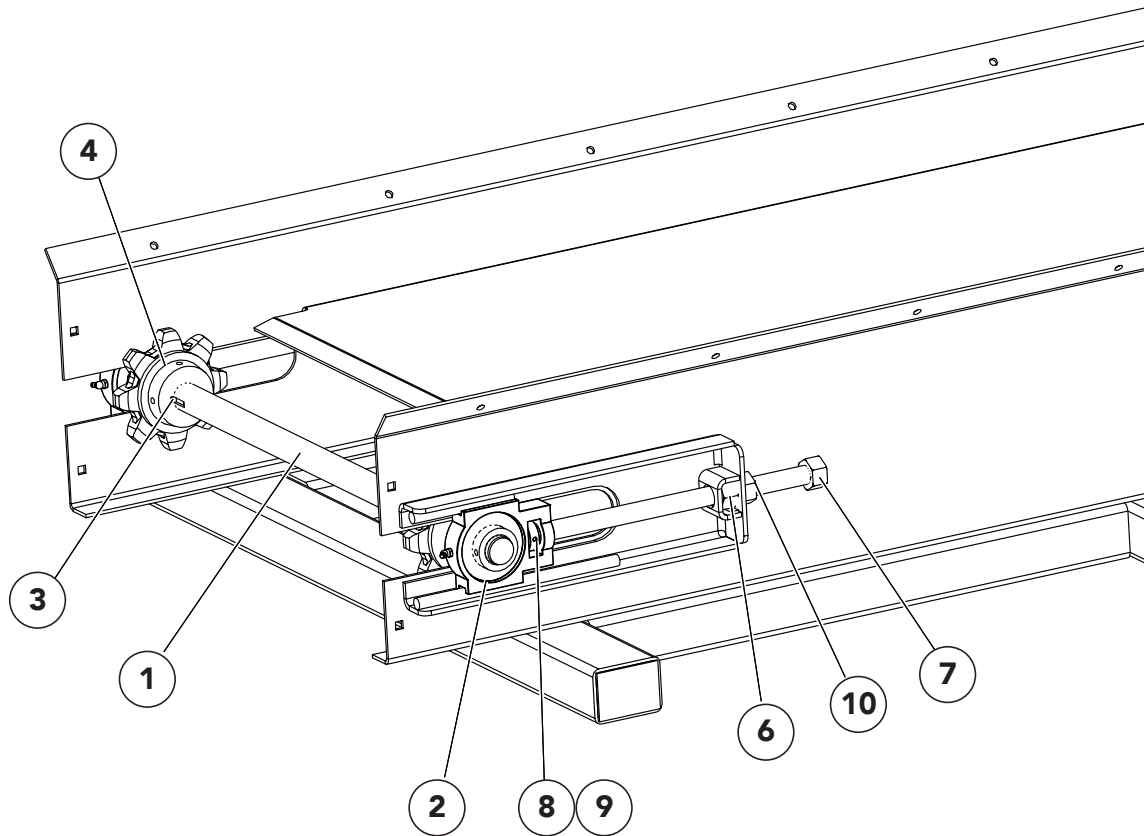
AR – As Required

**Conveyor Drive**



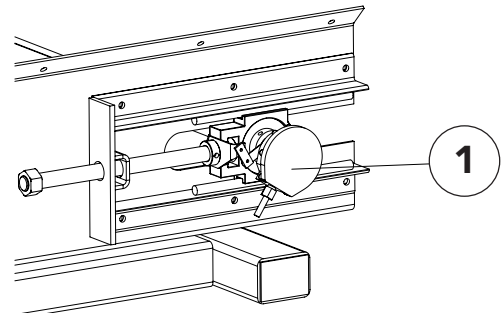
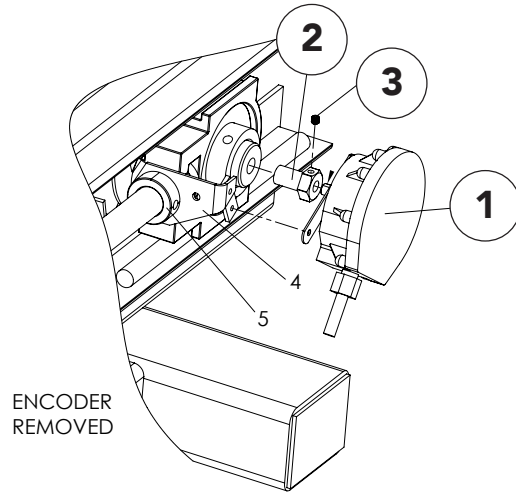
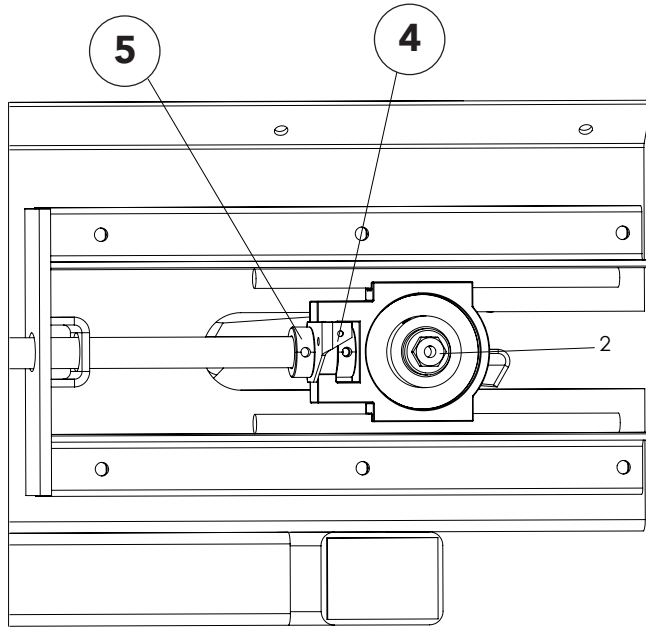
ITEM	PART NO.		DESCRIPTION	QTY
	CS	SS		
	303319	303319	Shaft - Drive Assy, Includes 1-5	
1	303304	303304	Shaft - Drive	1
2	6465	6465	Bearing	2
3	88276	88276	Sprocket	2
4	20748	20748	Screw - Set 3/8-16 x 3/8	4
5	6131	6131	Key - Square 3/8 x 1 1/2	2
6	82882	82855	Guide - Bearing	4
7	20068	36399	Cap Screw - 3/8 x 1 1/4	8
8	20712	36420	Washer - Lock 3/8	8
9	20644	36414	Nut - Hex 3/8	8
10	82550	82552	Mount - Torque Arm LH	1
11	20833	20833	Pin - Cotter 1/4 x 1 1/2	1
12	2716	2716	Washer - Flat 3/4	2
13	20128	20128	Cap Screw - 1/2 x 1 1/4	2
14	20680	20680	Nut - Lock 1/2	2
15	20644	20644	Nut - Hex 3/8	12
16	*82549	*82551	Mount - Torque Arm RH	1
17	33671	33671	Gearcase - 6:1, see Gear Case parts list	1
18	303838	303838	Motor - Hydraulic 2000 Series 8.0 CID	2
	56270	56270	Motor - Hydraulic 2000 Series 9.6 CID	2
19	*311172	*311172	V-Ring Seal - Not Shown	2

Conveyor Idler



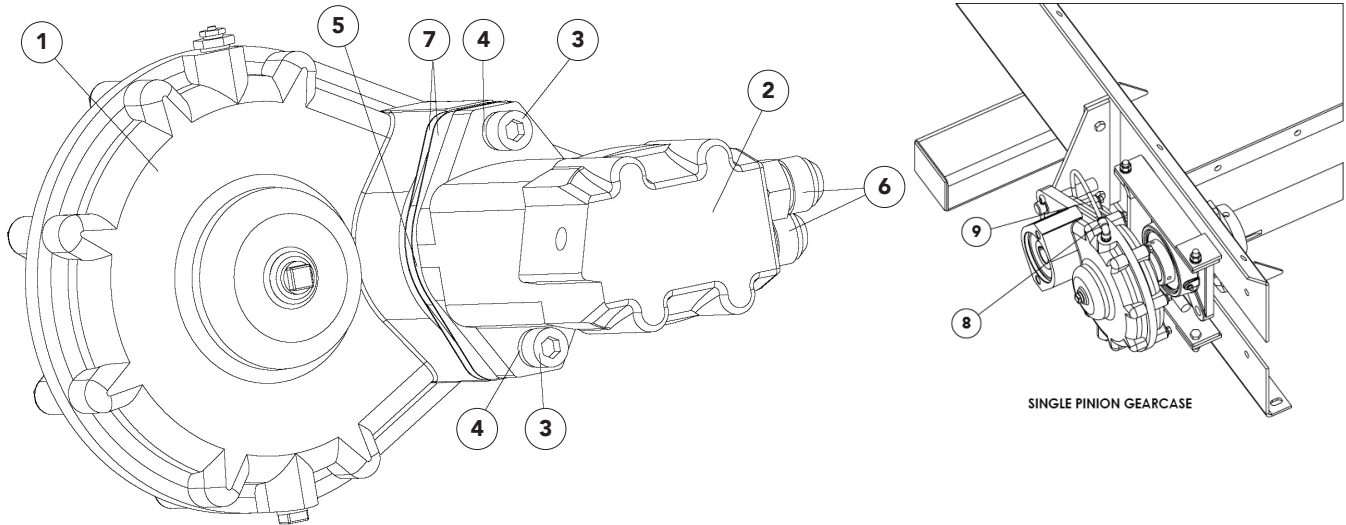
ITEM	PART NO.	DESCRIPTION	QTY
	303320	Idler - Shaft Assy, Includes 1 - 5	
1	310640	Shaft - Idler 1-1/2	1
2	22511	Bearing - Take Up Zerk - Grease 1/8 x 45°	2 2
3	2135	Key - Sq 5/16 x 2-1/2	2
4	97051 20735	Sprocket - 8 Tooth 1-1/2 Bore Screw - Set 1/4-20NC x 1/4	2 2
5	*56264	Cap / Plug - Plastic	1
6	39110	Nut - Wldmt	2
7	36508	Screw - Wldmt Adjustment SS	2
8	30725	Collar	2
9	20925	Pin - Roll	2
10	36509	Nut - Hex 1-8NC SS	2

\* - Not Shown



<u>ITEM</u>	<u>PART NO.</u>	<u>DESCRIPTION</u>	<u>QTY</u>
1	303994	Encoder – 180 with Hardware	1
2	310601	Coupler - Rate Sensor SS	1
3	310603	Screw - Set 1/4-20NC x 5/16 SS	1
4	81949	Bracket - Sensor, Idler Mount	1
5	2696	Collar - Set 1"	1

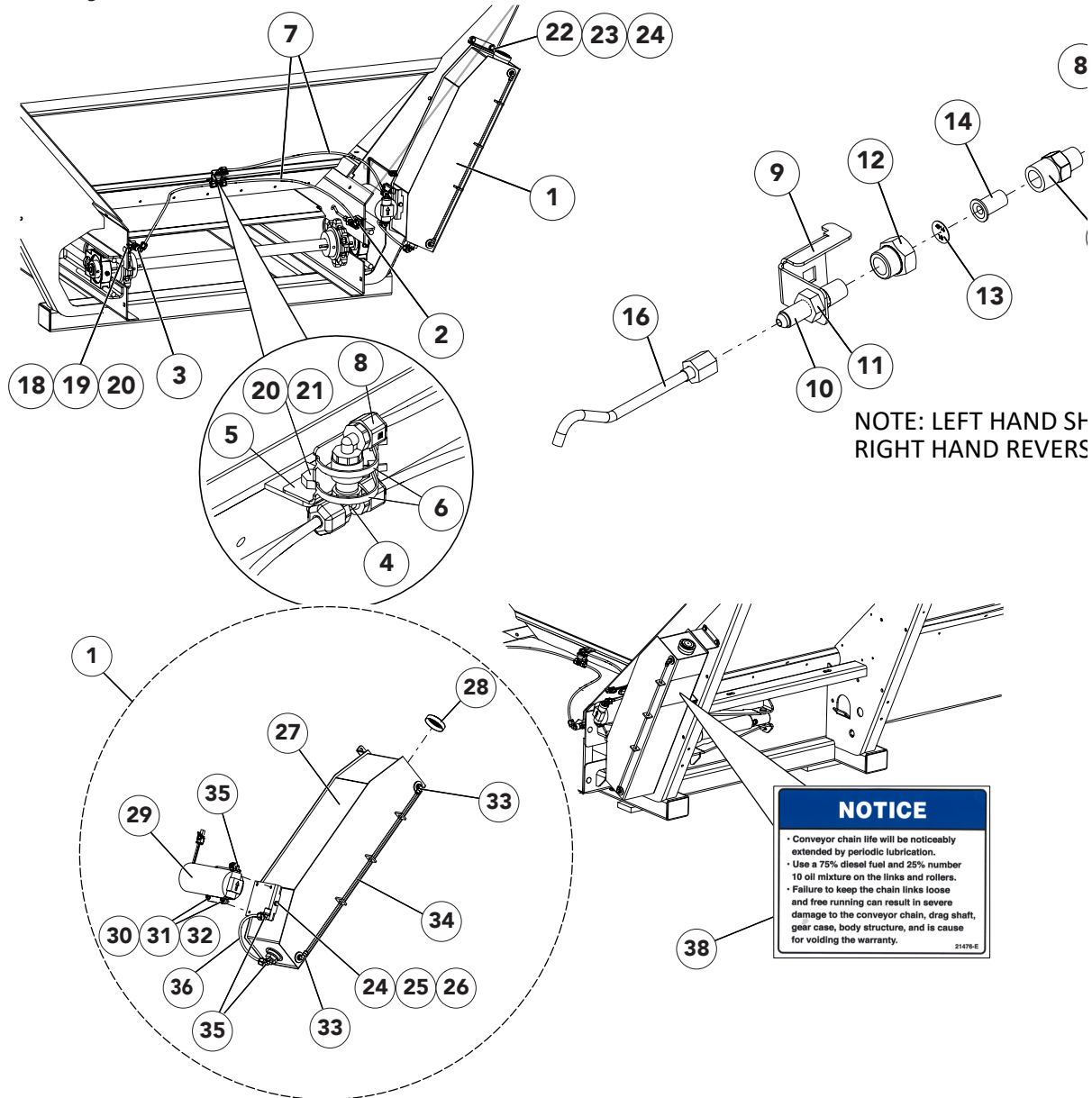
**Gearcase Assembly**



ITEM	PART NO.	DESCRIPTION	QTY
	305578	Gearcase Assy - 9.6 CID 2000 Series, Includes Items 1 - 9	2
	303837	Gearcase Assy – 8.0 CID 2000 Series, Includes Items 1 - 9	2
1	36671	Gearcase - 6.1	1
2	303838	Motor – Hydraulic 2000 Series 8.0 CID	1
	56270	Motor – Hydraulic 2000 Series 9.6 CID	1
3	305098	Cap Screw – 1/2-13 x 1-3/4	2
4	30227	Washer – Lock Socket HD 1/2	2
5	34650	Spacer – Gearcase Motor	1
6	29753	Fitting – 12-10 07120	2
7	74524	Gasket	2
8	306891	Fitting - 4-2 630202K	1
9	9005-0-7761	Tubing - 1/4 OD Air Brake Black	1.5 ft.

This page is intentionally left blank.

Conveyor Chain Oiler



NOTE: LEFT HAND SF  
RIGHT HAND REVERS

**NOTICE**

- Conveyor chain life will be noticeably extended by periodic lubrication.
- Use a 75% diesel fuel and 25% number 10 oil mixture on the links and rollers.
- Failure to keep the chain links loose and free running can result in severe damage to the conveyor chain, drag shaft, gear case, body structure, and is cause for voiding the warranty.

21476-E

ITEM	PART NO.	DESCRIPTION	QTY
	314235	Oiler - Group Conveyor Chain, Includes Items 1 - 38	1
	314233	Nozzle & Hose - Assy, Includes Items 2 - 8, 37	1
1	314237	Tank - Assy Chain Oiler, Includes Items 24 - 37	1
2	314019	Nozzle - Assy LH, Includes Items 8 - 16, 37	1
3	314020	Nozzle - Assy RH, Includes Items 8, 10 - 17, 37	1
4	309905	Tee - HDPP 1/4 NPT Male x 1/4 Tube	1
5	306804	Bracket - Coupling	1
6	99674	Tie - Wire	2
7	301338	Tubing - Black 1/4" Nylon	28" 1 22" 2

\* - Not Shown AR - As Required





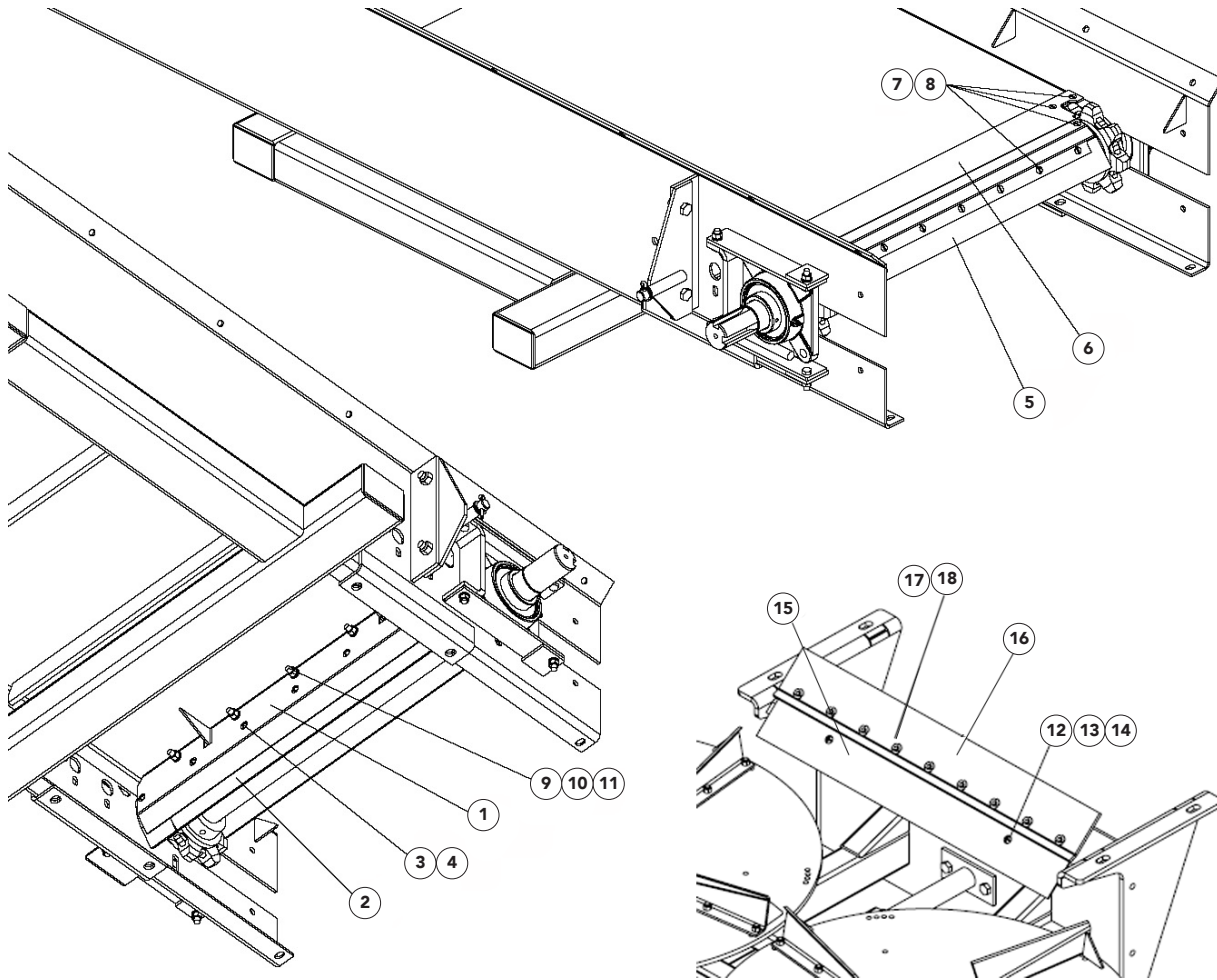
**Conveyor****Conveyor Chain Oiler Cont.**

<u>ITEM</u>	<u>PART NO.</u>	<u>DESCRIPTION</u>	<u>QTY</u>
8	309904	Elbow - HDPP 1/4 NPT Fem x 1/4 Tube	3
9	314016	Angle - Nozzle Mount LH	1
10	314012	Fitting - 4-4 070602	1
11	314261	Fitting - 4 070118	1
12	314014	Fitting - Outlet 1/4 NPT Fem x 1/4 TT Fem Nylon	1
13	314013	Plate - Orifice SS	1
14	306651	Strainer - w/ Check Valve	1
15	314015	Fitting - Adapter 1/4 NPT Male x 1/4 TT Male Nylon	1
16	314018	Nozzle - Tube 304	1
17	314017	Angle - Nozzle Mount RH	1
18	36408	Bolt - Carriage 3/8-16NC x 1 SS	2
19	36425	Washer - Flat 3/8 SS	2
20	72054	Nut - Lock 3/8-16NC SS	3
21	36293	Cap Screw - 3/8-16NC x 3/4 SS	1
22	36423	Washer - Flat 1/4 SS	4
23	42034	Nut - Lock 1/4-20NC SS	4
24	36393	Cap Screw - 1/4-20NC x 3/4 SS	5
25	36418	Washer - Lock 1/4 SS	1
26	304409	Mount - Pump	1
27	305754	Tank - Wldmt Chain Oiler, Includes Item 28	1
28	21980	Cap - Vented	1
29	304390	Pump - Assy w/ Connector	1
	304834	Diaphragm - 1.1 GPM 30 PSI	AR
	303730-AB	Connector - Weatherpack Female	AR
30	44454	Screw - Socket Head #10-24NC x 1 SS	4
31	171052	Washer - Flat #10 SS	8
32	56355	Nut - Lock #10-24NC SS	4
33	301337	Fitting - 90° Male 1/8 NPT	2
34	306437	TUBE - .25OD X .18ID CLEAR	2.031'
35	309902	Elbow - HDPP 3/8 NPT Male x 1/4 Tubing	3
36	301338	Tube - 1/4 Black Nylon	8" 1
37	*306670	Tape - Thread Seal PTFE Yellow Gas Line	AR
38	21476	Decal - Notice, Conveyor Chain Life	1
39	*304391	Panel - Assy Oiler Control	1
	*99676	Fuse - 10A Fast Acting	1

\* - Not Shown AR - As Required



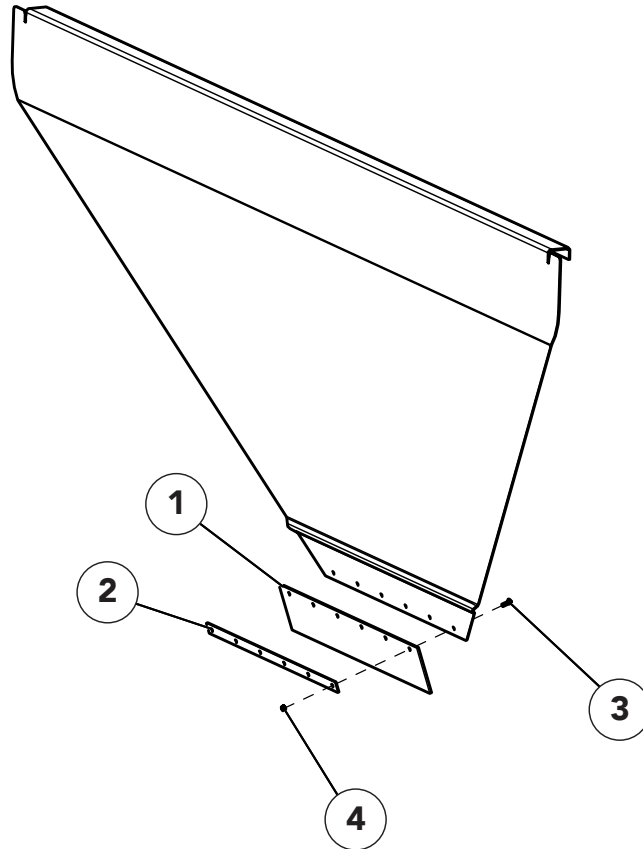
Rear Wipers



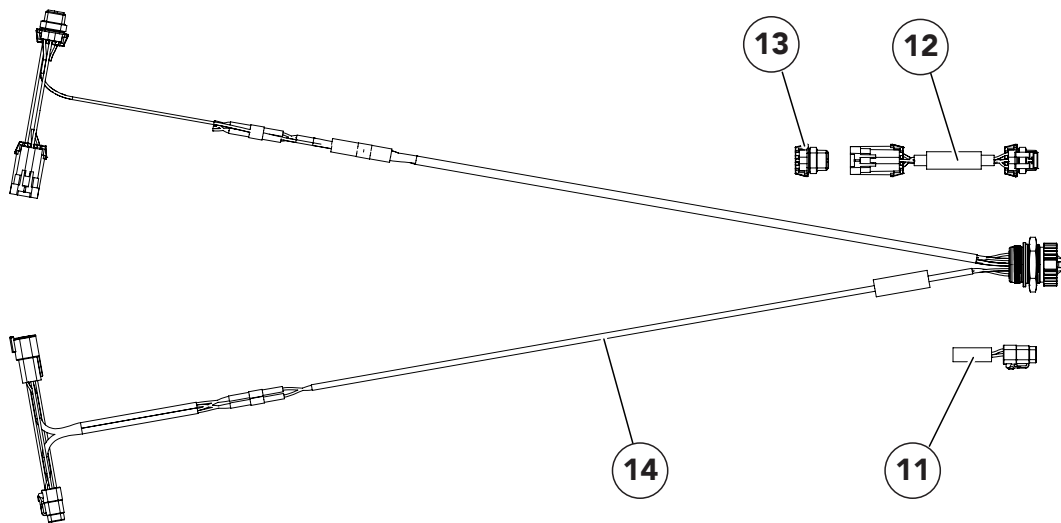
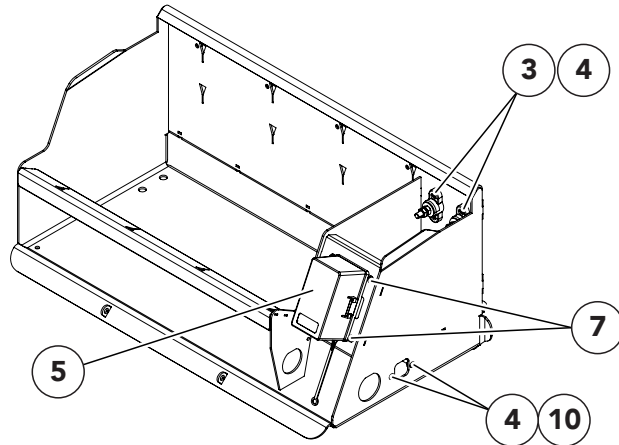
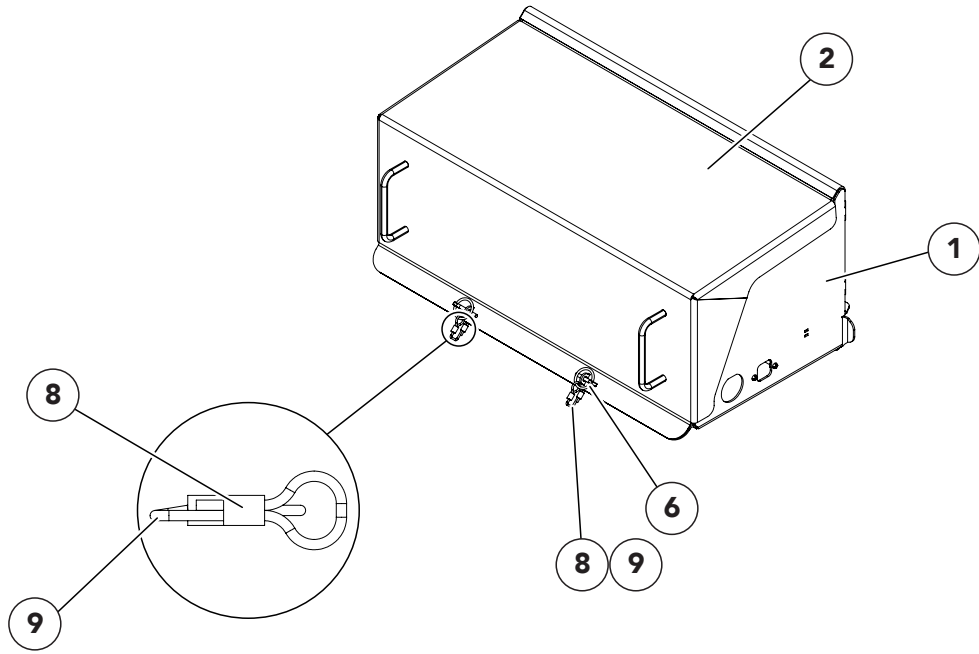
**Rear Wipers Cont.**

ITEM	PART NO.		DESCRIPTION	QTY
	CS	SS		
	304440	305330	Lip - Rear Assy, Includes 5-8	
	304441	304442	Wiper - Assy Rear, Includes 1-4	
1	304444	304445	Mount - 34" Internal Wiper	1
2	304443	304443	Rubber - 34" Internal Wiper	1
3	56258	56258	Screw - Truss Head 1/4-20 x 1/2 SS	9
4	88931	88931	Nut - Tee 1/4 x 1/4	9
5	303306	303306	Wiper - 34" Rear Lip	1
6	303312	305329	Lip - Wldmt Rear 34"	1
7	20617	56400	Screw - Flathead 1/4-20 x 1/2	13
8	88931	88931	Nut - Tee 1/4 x 1/4	13
9	20068	36399	Cap Screw - 3/8-16 x 1-1/4	5
10	20712	36420	Washer - Lock 3/8	5
11	20644	36414	Nut - Hex 3/8-16	5
12	32446	32446	Screw - Truss Head 1/4-20 x 3/4 SS	2
13	36412	36412	Nut - Hex 1/4-20 SS	2
14	36418	36418	Washer - Lock 1/4 SS	2
15	304447	304447	Plate - Wiper Belt Spnr/Conv. 34"	1
16	304446	304446	Belt - Rear Wiper 34"	1
17	88931	88931	Nut - Tee 1/4 x 1/4	9
18	56258	56258	Screw - Truss Head 1/4-20 x 1/2 SS	9

**Wiper Front**



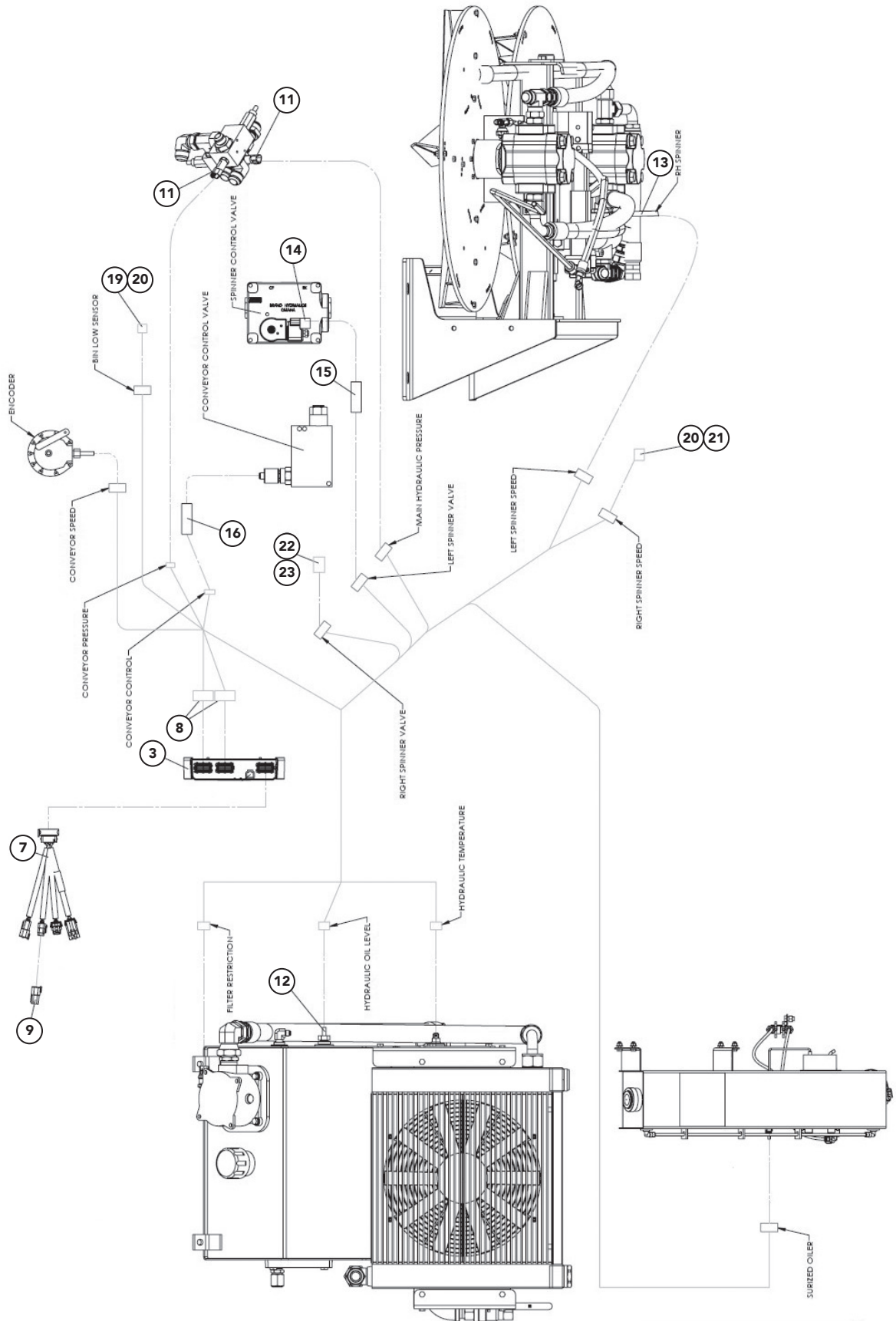
ITEM	PART NO.		DESCRIPTION	QTY
	w/o Chain Shields	w/ Chain Shields		
1	303314	303317	Wiper – Belt	1
2	303315	303316	Retainer – Belt	1
3	36393	36393	Cap Screw - 1/4-20NC x 3/4 SS	7
4	36412	36412	Nut – Hex 1/4-20NC SS	7



<u>ITEM</u>	<u>PART NO.</u>	<u>DESCRIPTION</u>	<u>QTY</u>
	311841	Enclosure - Assy 304, Includes Items 1 - 15	1
1	310722	Enclosure- Weldment Controller 304	1
2	310724	Cover- Weldment 304	1
3	310740	Post- Power Distribution	2
4	44483	Screw- Panhead #10-24 x 3/4 SS	6
5	310739	Harness- New Leader ECU Enclosure	1
6	310732	Pin- Lynch .188 x 1.25 SS	2
7	310733	Screw- Panhead #10-32 x 1/2 SS	4
8	308085	Ferrule- .185 x .734	4
9	311731	Cable- 12 Coated SS	2
10	56355	Nut- Lock #10-24 SS	2
11	311068	Plug- Terminating Local CAN	1
12	311070	Harness- ISOBUS Active Termination, Includes Item 14	1
13	311069	Circuit- Terminating Bias ISO CAN	1
14	312448	Harness- ISOBUS Diagnostic Tee	1
15	*99674	Tie- Zip 8" Black	12
* - Not Shown			

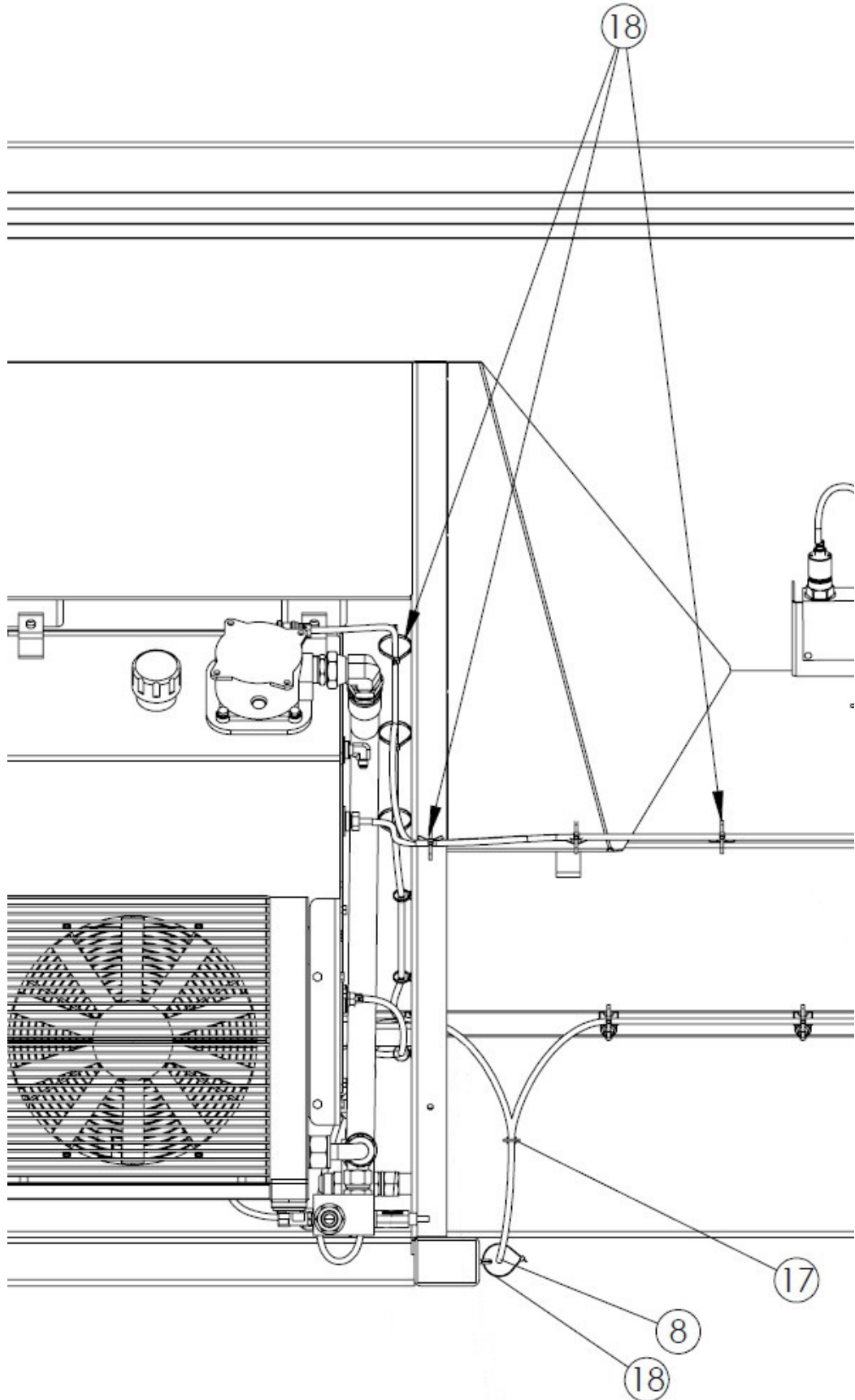
# Controller - Main Bin

## 13-16'



**Controller - Main Bin**

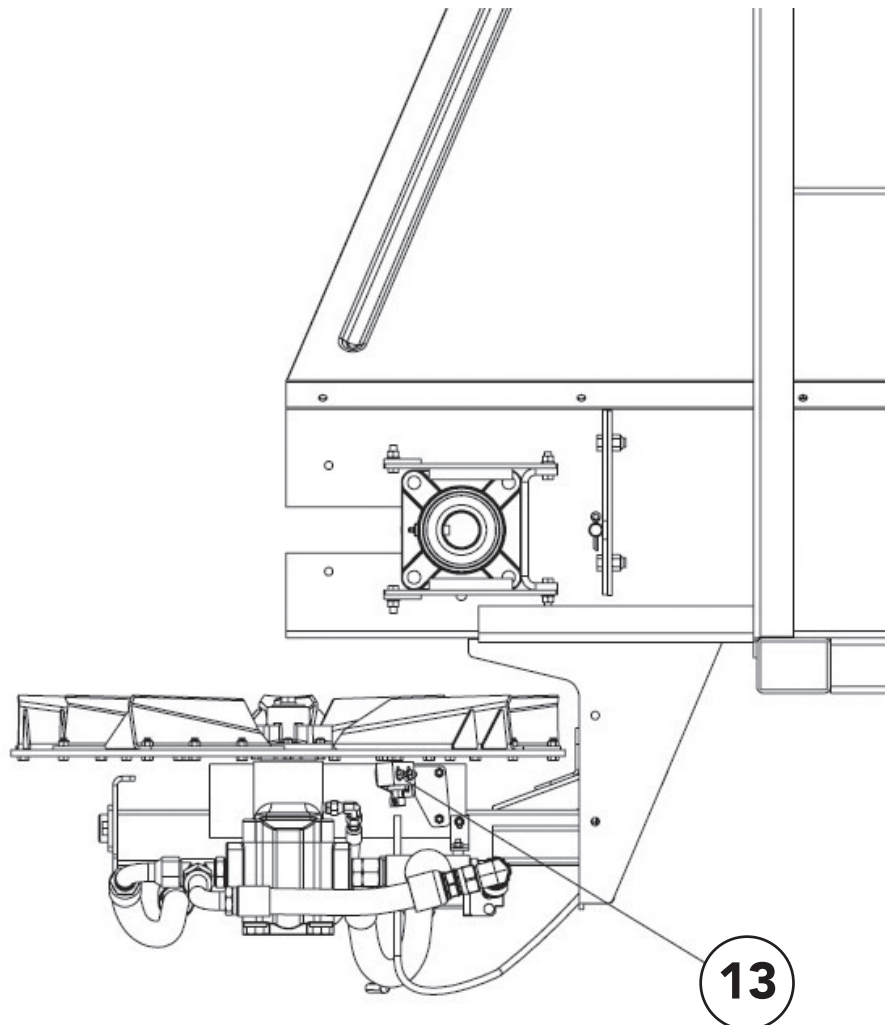
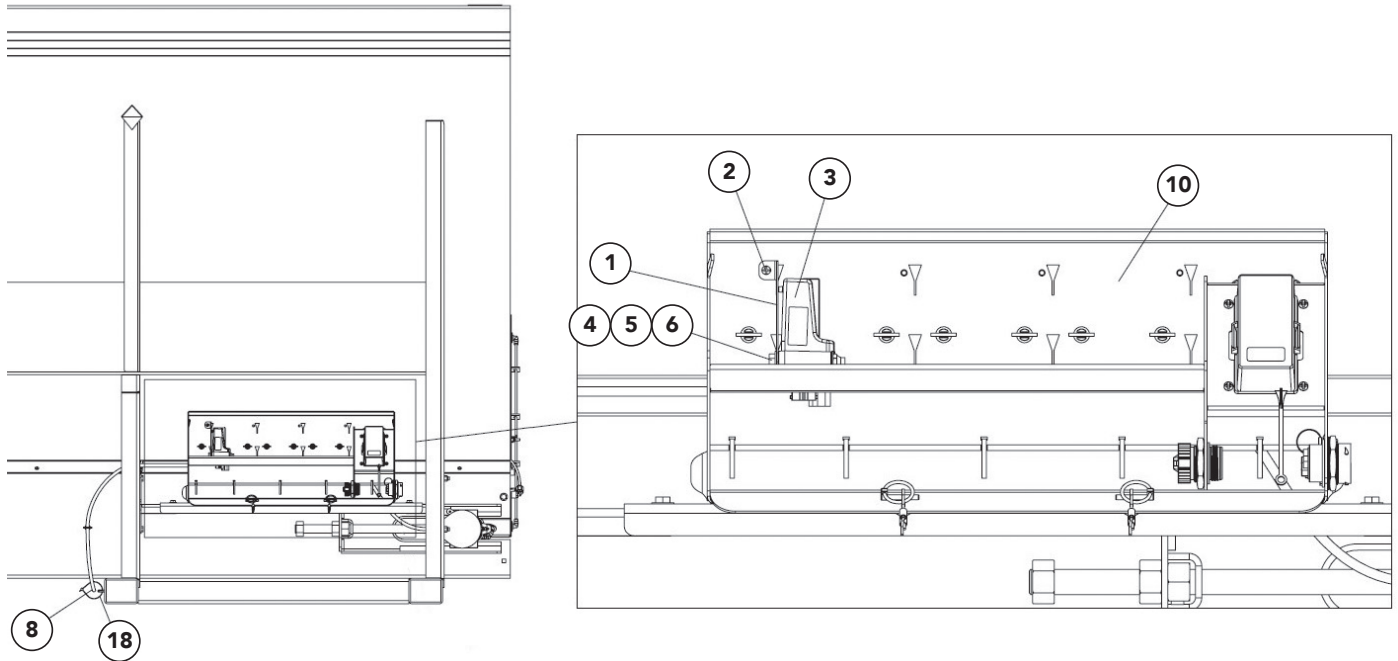
**13-16'**





# Controller - Main Bin

13-16'

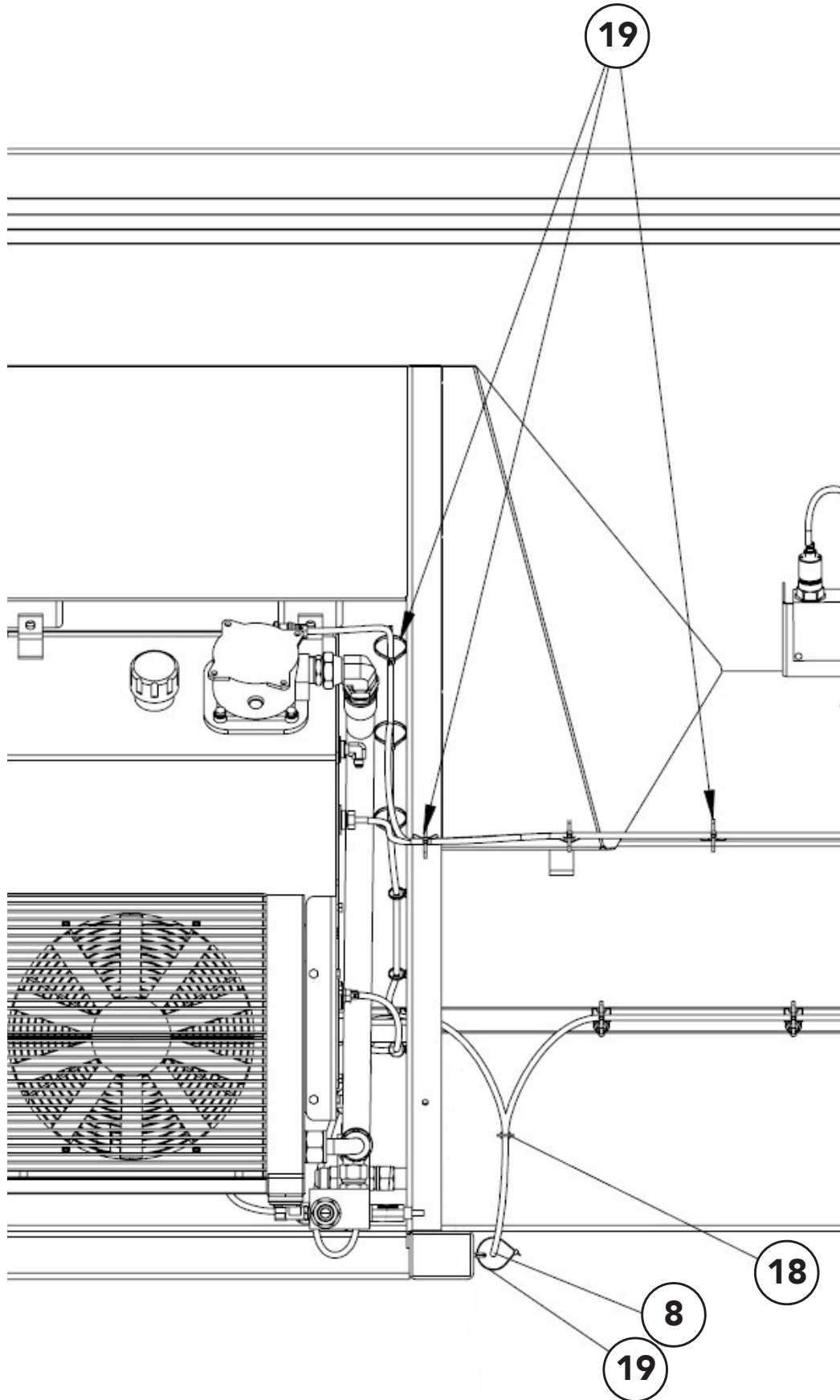


**Controller - Main Bin****L5034G4****13-16'**

<u>ITEM</u>	<u>PART NO.</u>	<u>DESCRIPTION</u>	<u>QTY</u>
	316570	Module - Group Master 13'-16'	
1	310718	Bracket - Module 304	1
2	44483	Screw - Round Head #10-24nc X .75 SS	1
3	310734	Module - Wsm	1
4	36296	Capscrew - .3846 X 2.75 SS	2
5	36425	Washer - Flat .375 SS	4
6	307395	Nut - Lock Thin .375-16nc SS	2
7	310754	Harness - Isobus Breakout	1
8	311067	Receptacle - Terminating Local	1
9	311841	Enclosure - Assy	1
10	311074	Transducer - Pressure	2
11	311845	Sensor - Group Hyd Tank	1
12	320223	Sensor - Group Single Spinner	1
13	38576-AI	Cable - Assy Service Part	1
14	316573	Harness - Ext	1
15	316574	Harness - Ext	1
16	311806	Tie - Wire Fir Tree	5
17	99674	Strap - Zip Tie 8 Black	30
18	303730-BD	Connector - Male Sealed Shroud	1
19	303730-FA	Plug - Cavity	7
20	303730-BC	Connector - Male Sealed Shroud	1
21	303665-BG	Connector - Male Sealed Pin	1
22	303665-HA	Plug - Sealing Dt06 Series	2
23	316949	Harness - Master Control	1

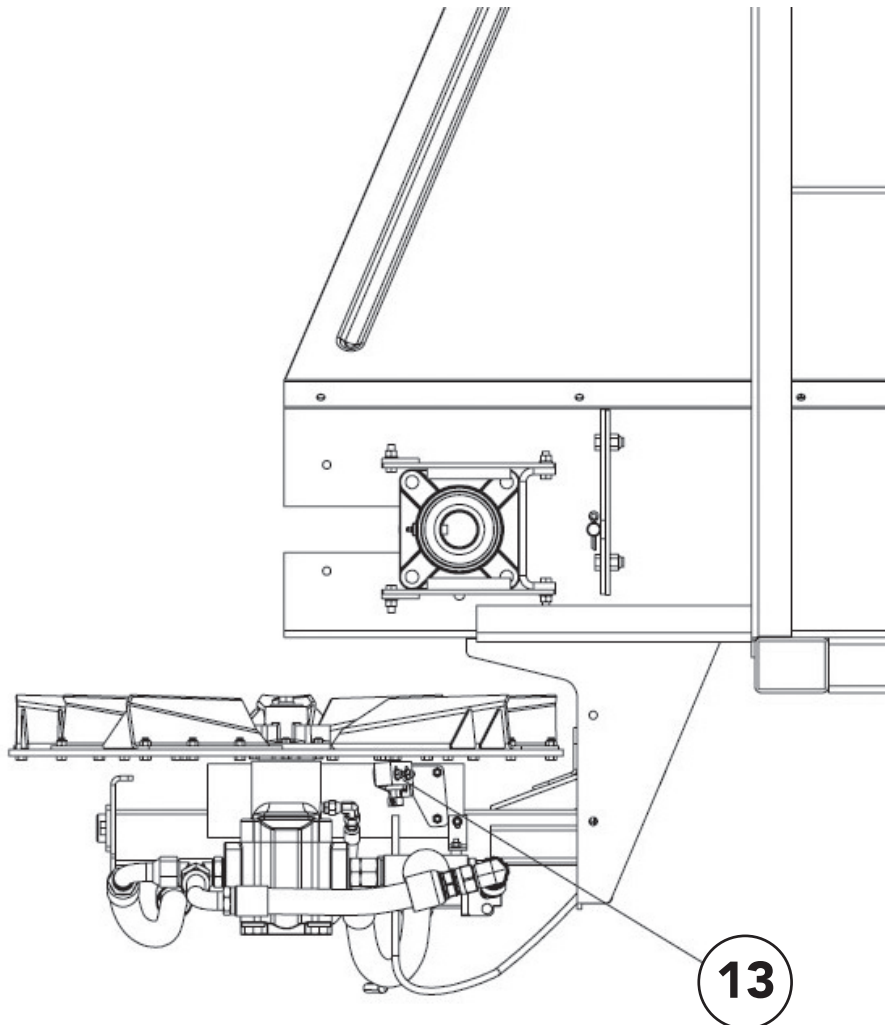
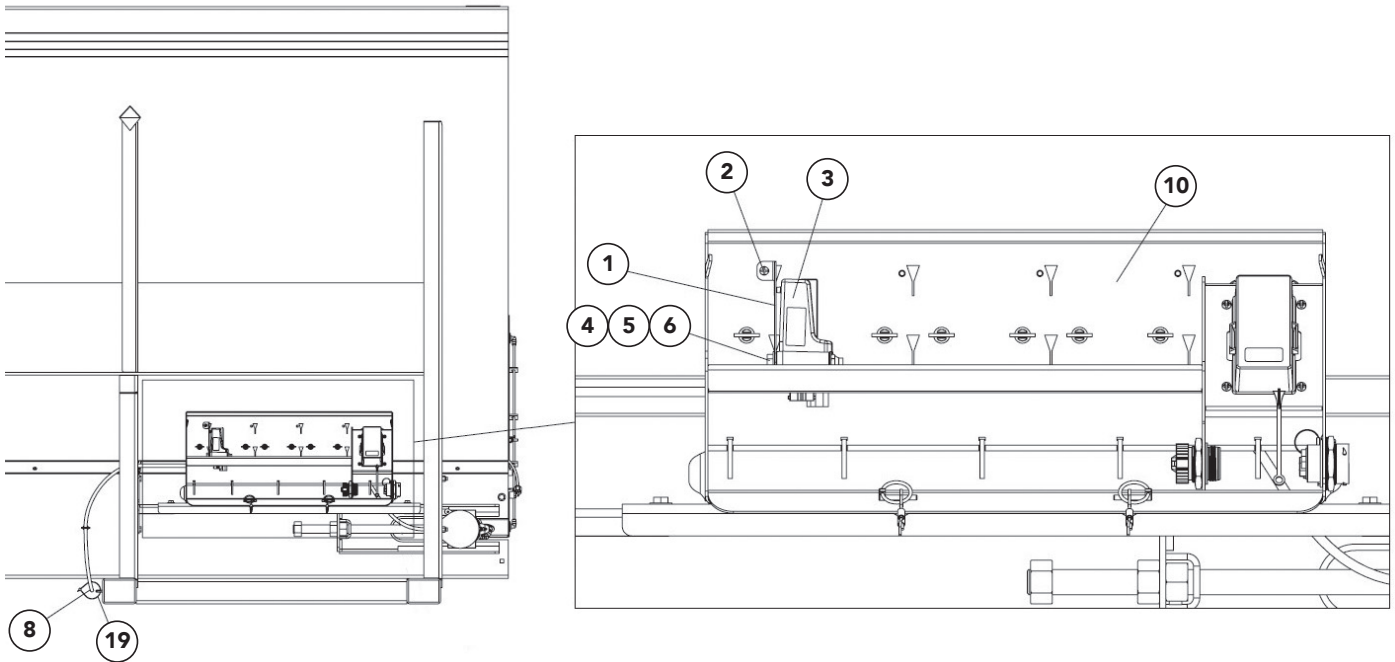


**Controller - Main Bin**  
**18-21'**



**Controller - Main Bin**

**18-21'**

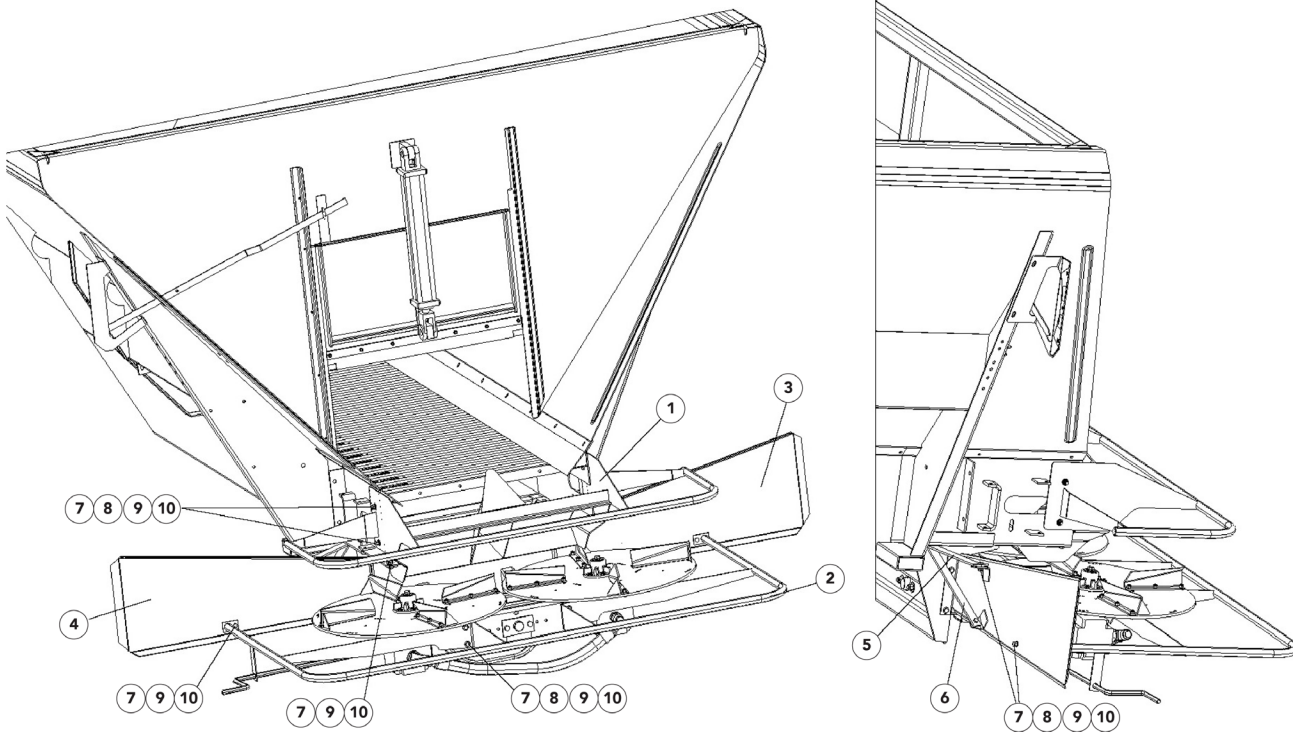


**Controller - Main Bin****L5034G4****18-21'**

<u>ITEM</u>	<u>PART NO.</u>	<u>DESCRIPTION</u>	<u>QTY</u>
	316571	MODULE - GROUP MASTER 18'-21'	
1	310718	Bracket - Module 304	1
2	44483	Screw - Round Head #10-24nc X .75 SS	1
3	310734	Module - Wsm	1
4	36296	Capscrew - .3846 X 2.75 SS	2
5	36425	Washer - Flat .375 SS	4
6	307395	Nut - Lock Thin .375-16nc SS	2
7	310754	Harness - Isobus Breakout	1
8	311067	Receptacle - Terminating Local	1
9	311841	Enclosure - Assy	1
10	311074	Transducer - Pressure	2
11	311845	Sensor - Group Hyd Tank	1
12	320223	Sensor - Group Single Spinner	1
13	38576-AI	Cable - Assy Service Part	1
14	316573	Harness - Ext	1
15	316574	Harness - Ext	1
16	316575	Harness - Ext	1
17	311806	Tie - Wire Fir Tree	5
18	99674	Strap - Zip Tie 8 Black	35
19	303730-BD	Connector - Male Sealed Shroud	1
20	303730-FA	Plug - Cavity	7
21	303730-BC	Connector - Male Sealed Shroud	1
22	303665-BG	Connector - Male Sealed Pin	1
23	303665-HA	Plug - Sealing Dt06 Series	2
24	316949	Harness - Master Control	1

This page is intentionally left blank.

Spinner Guards & Deflectors

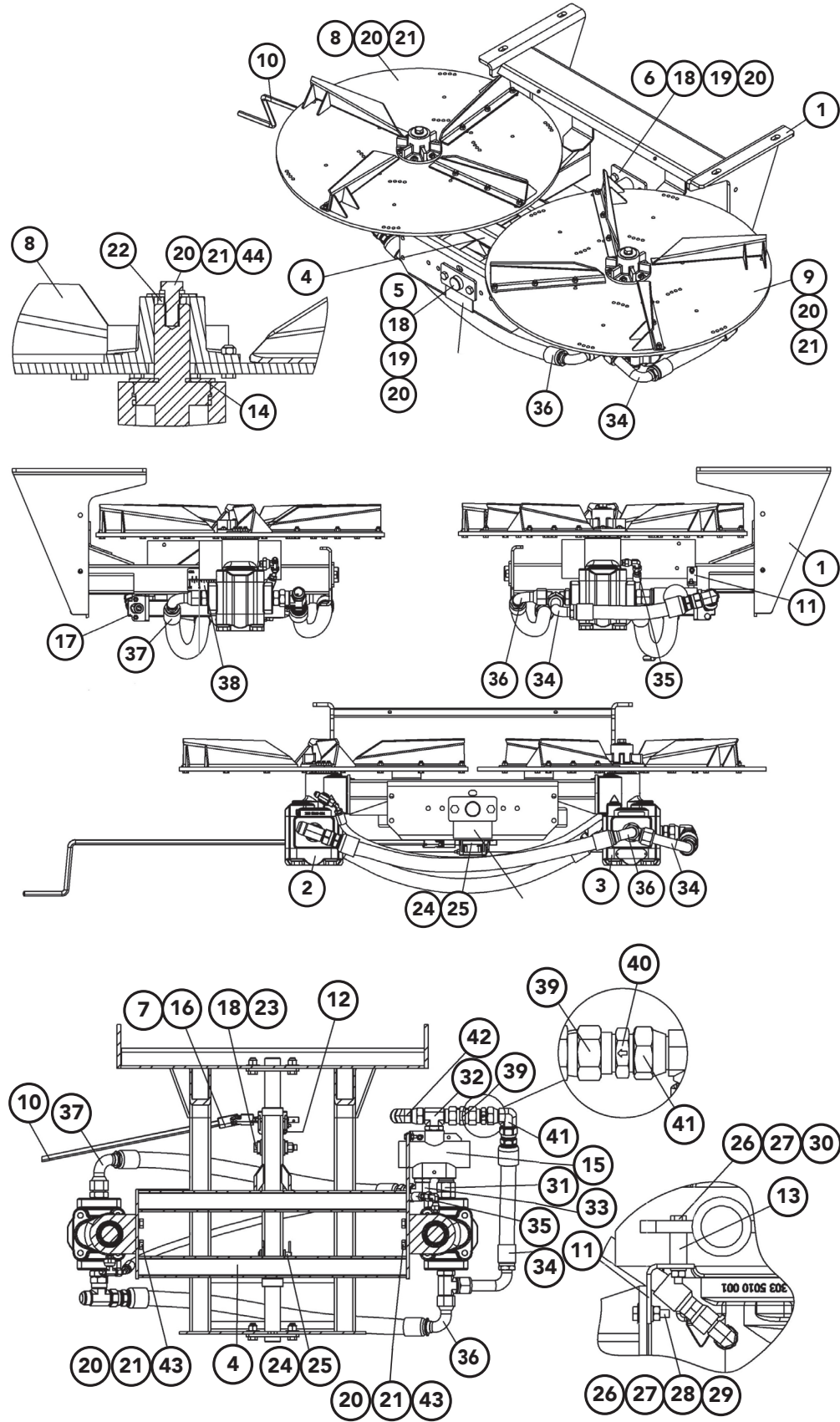


ITEM	PART NO.	DESCRIPTION	QTY
1	305309	Divider – Wldmt w/Guard 34"	1
2	304913	Guard – Wldmt 30" Spinner 304	1
3	305320	Shield – Wldmt RH 304	1
4	305321	Shield – Wldmt LH 304	1
5	87068	Bracket – Shield 304	2
6	305040	Bar – Stiffener Lower 304	2
7	36398	Cap Screw – 3/8 x 1 SS	22
8	36425	Washer – Flat 3/8 SS	20
9	36420	Washer – Lock 3/8 SS	22
10	36414	Nut – Hex 3/8 SS	20
11	*39640	Bolt – Carriage 1/2-13NC x 2 SS	4
12	*36426	Washer – Flat 1/2 SS	4
13	*36422	Washer – Lock 1/2 SS	4
14	*36416	Nut – Hex 1/2-13NC SS	4

\* - Not Shown - used to mount spinner



Spinner Assembly



## Spinner Assembly Cont.

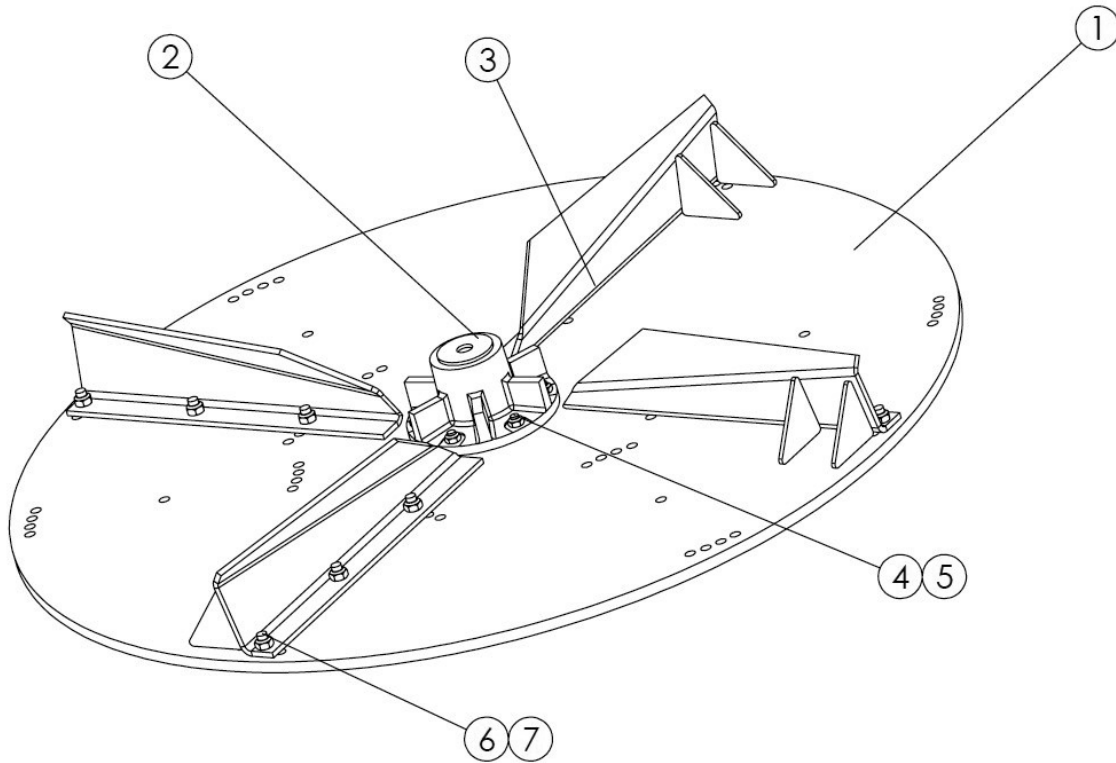
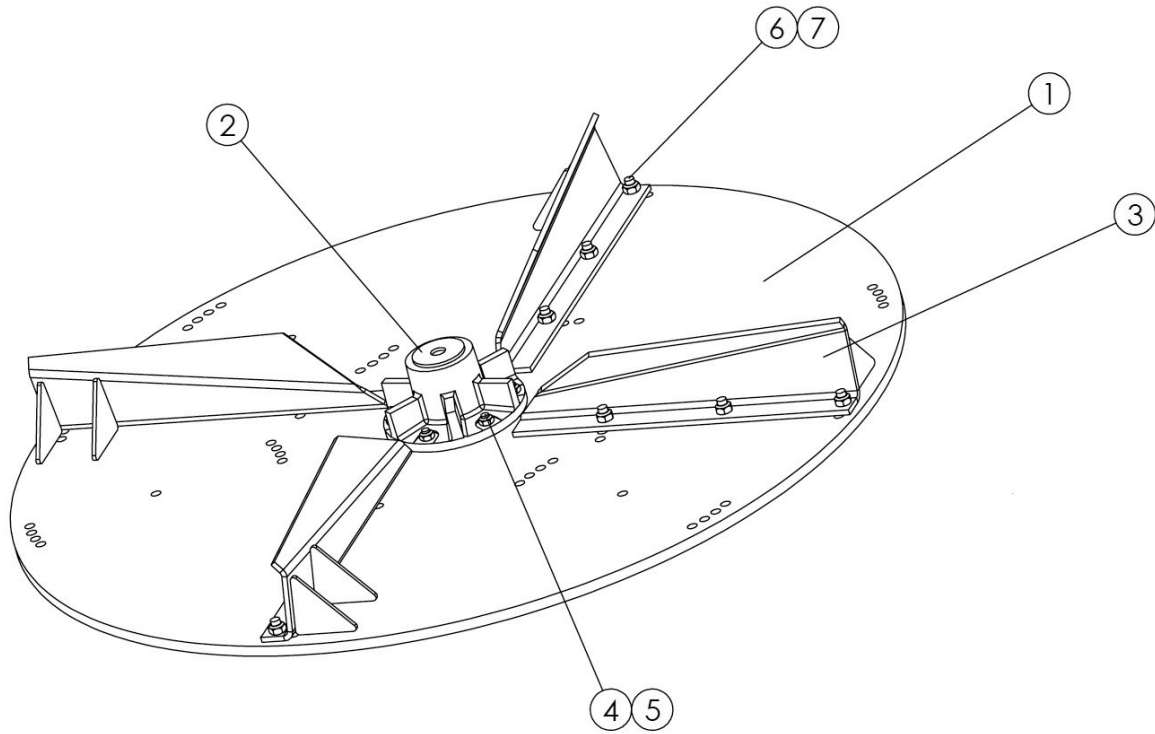
ITEM	PART NO.	DESCRIPTION	QTY
	314772	Spinner - Assy 304	
1	304911	Plate - Wldmt Back 34 304	1
2	305757	Motor - Assy Style li Lh	1
3	305756	Motor - Assy Style li Rh	1
4	304897	Mount - Wldmt Motor 30 Disc	1
5	304898	Shaft - Wldmt 30 Disc 304	1
6	87023	Plate - Mounting Shaft 304	1
7	85002	Joint - U	1
8	304899	Disc - Assy 30 Lh	1
9	304900	Disc - Assy 30 Rh	1
10	307476	Handle - Jack Feedgate 304	1
11	87025	Angle - Mounting Valve 5 X 48	1
12	6072	Zerk - Grease 1/4-28nf Strght	2
13	76825	Hinge - Pipe .25 X 1 304	1
14	305571	Washer - Rubber 3od X .94id X .13 Thick 60DURO	2
15	71781	Valve - 50/50 Flow Divider	1
16	312268	Pin - Roll .188 X 1.0 SS	2
17	312975	Jack - Assy 4.5 304	1
18	39016	Nut - Lock .5-13nc SS	5
19	36426	Washer - Flat .5 SS	4
20	36402	Capscrew - .5-13nc X 1.25 SS	14
21	36422	Washer - Lock .5 SS	10
22	56397	Washer - Spacer .56id X 1od X .25 Thick 304	2
23	80798	Capscrew - .5-13nc X 3.75 SS	1
24	36429	Pin - Hair .148 X 2.688 SS	1
25	6547	Pin - Clevis .375 X 3 SS	1
26	36412	Nut - Hex .25-20nc SS	2
27	36418	Washer - Lock .25 SS	2
28	36423	Washer - Flat .25 SS	1
29	36395	Capscrew - .25-20nc X 1 SS	1
30	308112	Capscrew - .25-20nc X 2 SS	1

**Spinner Assembly Cont.**

<u>ITEM</u>	<u>PART NO.</u>	<u>DESCRIPTION</u>	<u>QTY</u>
31	34810	Fitting - 16-16 Non Standard	1
32	34750	Fitting - 16-16-16 070429	1
33	29840	Fitting - 16-16 070220	1
34	56103-X1	Hose - Assy 1 X 16.75 100r2	1
35	304907	Hose - Assy .375 X 35.1	1
36	304905	Hose - Assy 1 X 33.5	1
37	304906	Hose - Assy 1 X 33.5 100r12	1
38	87110	Decal - Scale	1
39	302449	Fitting - 16-16 Non Standard	1
40	302160-AB	Valve - Check 1 Charted	1
41	29807	Fitting - 16-16 070221	1
42	29806	Fitting - 16-16 070321	1
43	301315	Loctite - 243	0
44	311082	Compound - Antiseize Heavy	0

Spinner Discs

LH

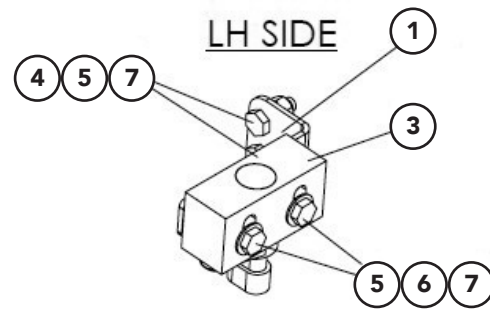
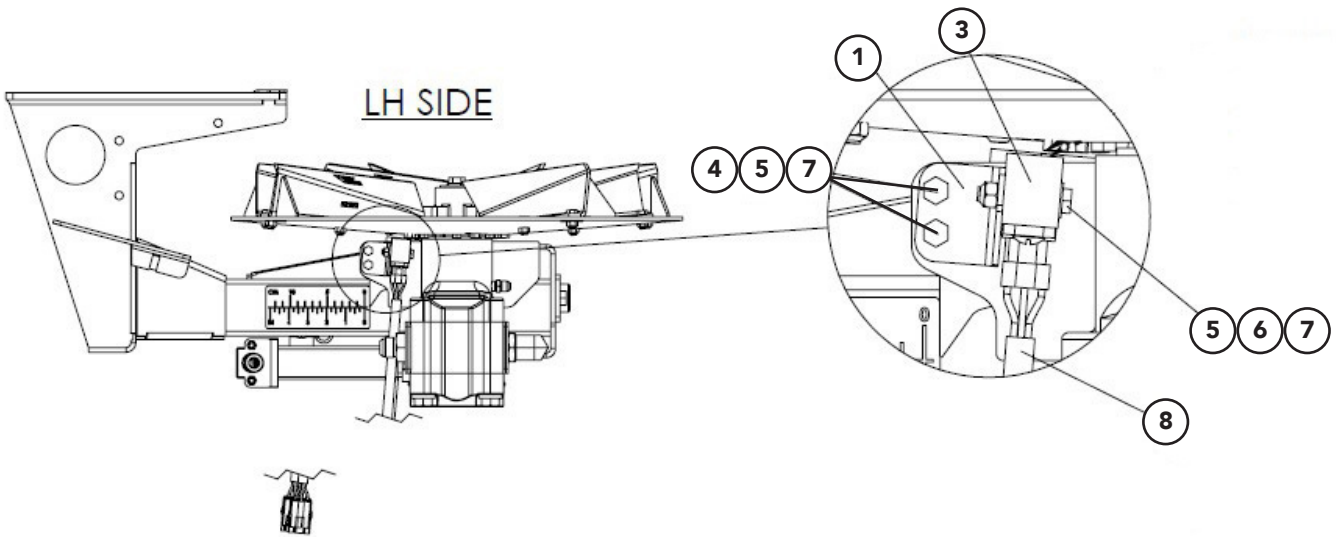


RH

**Spinners****Spinner Discs Cont.**

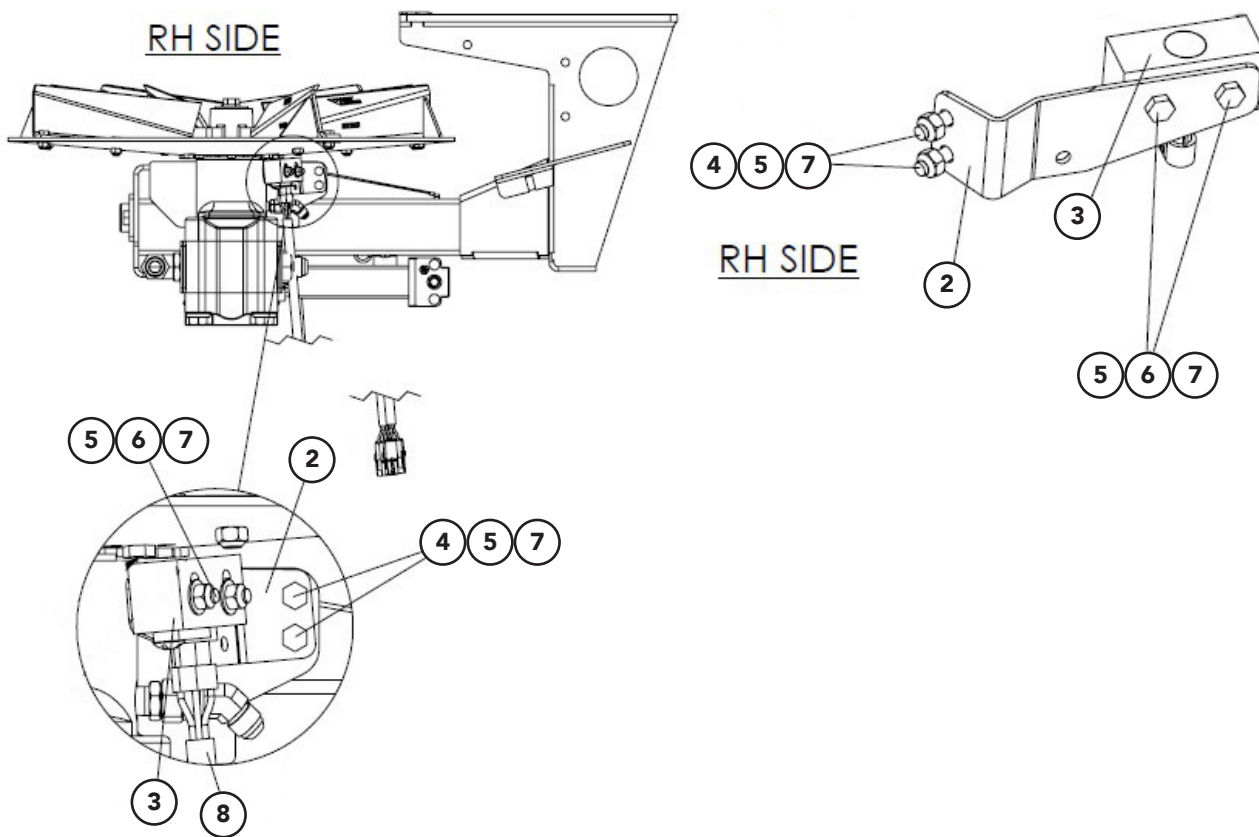
<u>ITEM</u>	<u>PART NO.</u>	<u>DESCRIPTION</u>	<u>QTY</u>
1	304894	DISC - SPINNER 30	2
2	10877	HUB - WLDMT	2
3	307265	FIN - WLDMT LH 304	4
	307266	FIN - WLDMT RH 304	4
4	20005	CAPSCREW - .25-20NC X 1 GR5 ZN	12
5	20676	NUT - LOCK .25-20NC ZN	12
6	20036-X1	CAPSCREW - .313-18NC X 1 GR8	24
7	20677	NUT - LOCK .313-18NC ZN	24

Spinner Speed Sensor

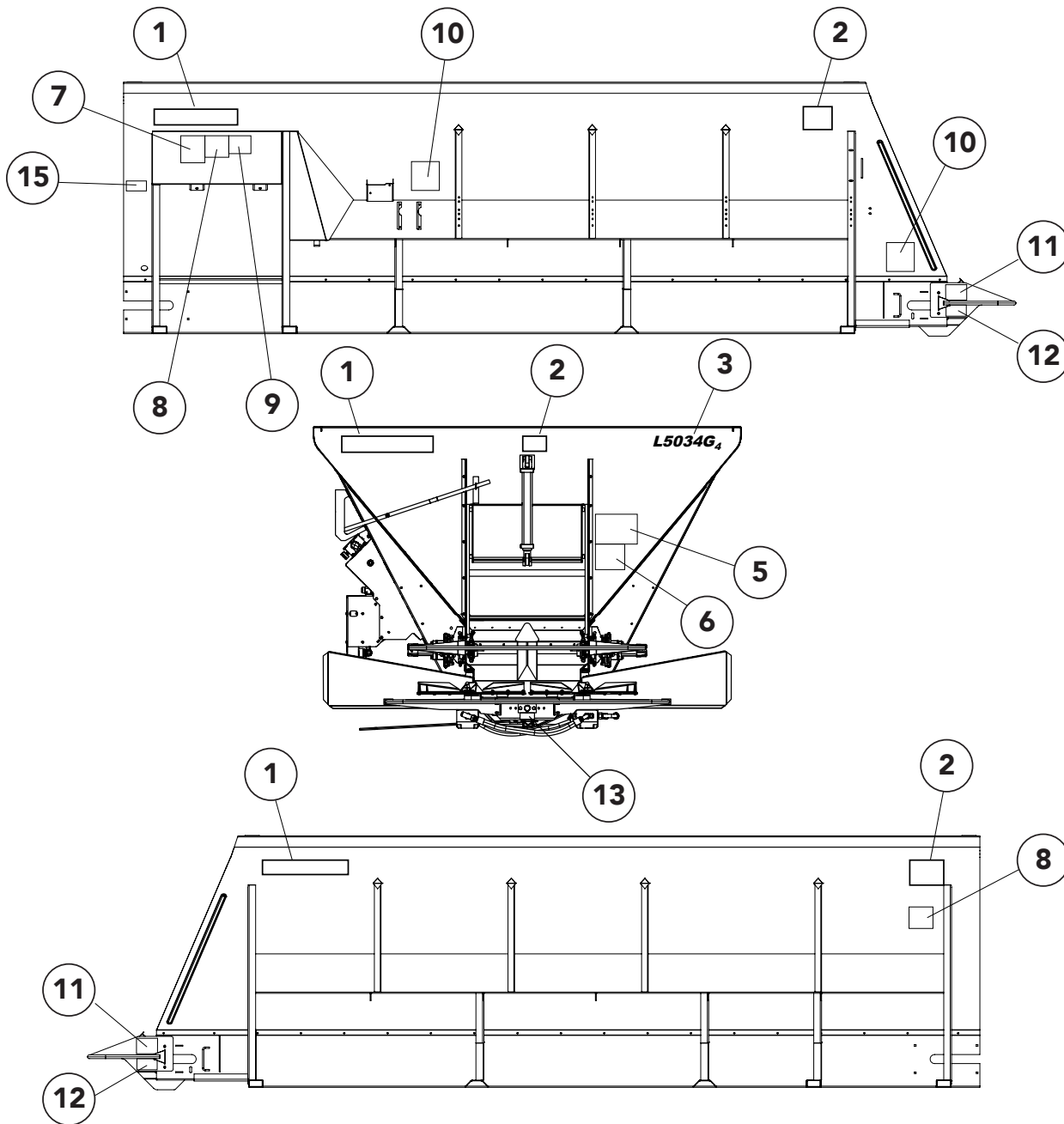


**Spinners**

**Spinner Speed Sensor**



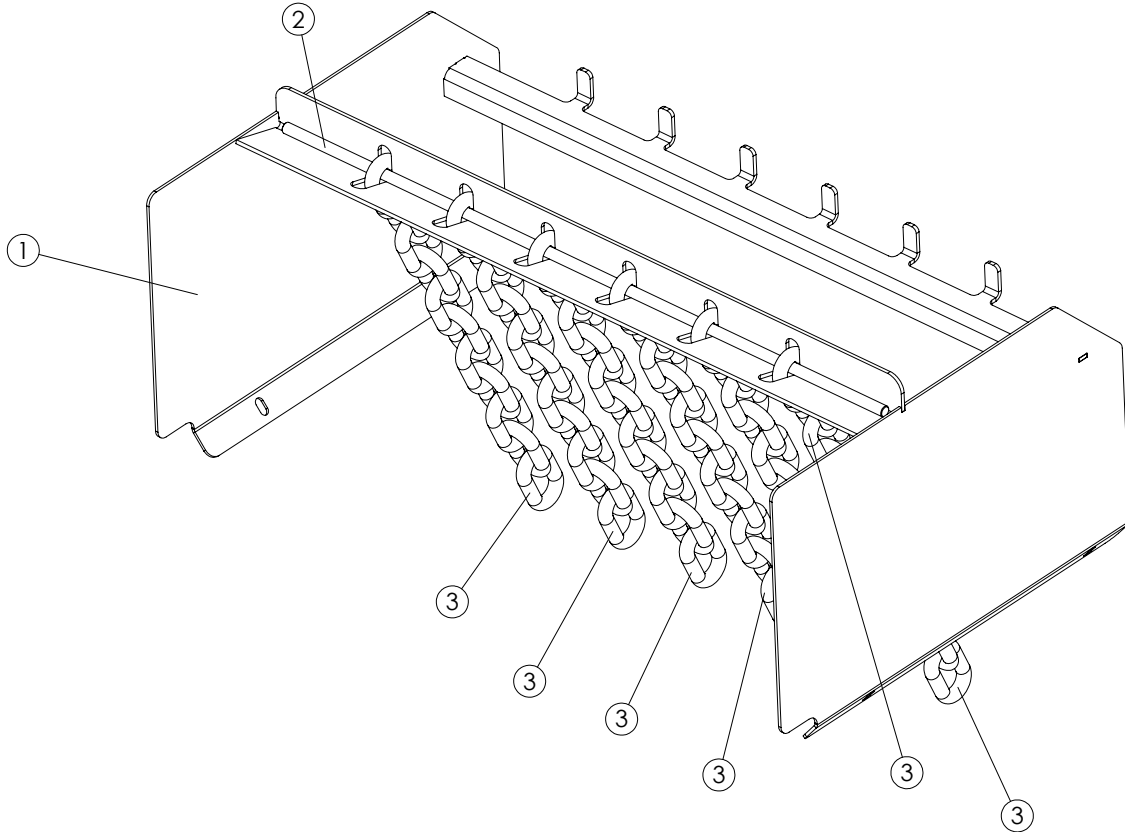
ITEM	PART NO.	DESCRIPTION	QTY
1	311852	Bracket - Speed Sensor LH 304	1
2	318023	Bracket - Speed Sensor RH 304	1
3	316586	Sensor - Assy w/ Block	2
4	36394	Capscrew - .25-20NC X .875 SS	4
5	42448	Capscrew - .25-20NC X 1.5 SS	4
6	36423	Washer - Flat 1/4 SS	4
7	42034	Nut - Lock 1/4-20NC SS	8
8	318007	Harness - Ext	2





<u>ITEM</u>	<u>PART NO.</u>	<u>DESCRIPTION</u>	<u>QTY</u>
1	312561	Decal - New Leader, Black	3
	312562	Decal - New Leader, White	3
2	87122	Decal - G4, Black / Red	3
	87123	Decal - G4, Black / White	3
3	304470	Decal - L5034G4, Black	1
	304471	Decal - L5034G4, White	1
4	Not Used		
5	368	Decal - Danger, Flying Material	1
6	71526	Decal - Notice, Spread Pattern	1
7	150034	Decal - Caution ,Operation & Maintenance	1
8	364	Decal - Danger, Moving Part Hazard	2
9	321	Decal - Caution, Hazardous Material	1
10	39138	Decal - Warning, High Pressure Fluid	2
11	55630	Decal - Warning, Falling Hazard	2
12	55631	Decal - Warning, Moving Part Hazard	2
13	98319	Decal - Patent 6, 517, 281	1
14	*39200	Decal - Warning, Falling Hazard (Fenders)	AR
15	315865	Decal - Warning: Hazardous Materials	1

\* - Not Shown    AR - As Required



<u>ITEM</u>	<u>PART NO.</u>	<u>DESCRIPTION</u>	<u>QTY</u>
	316005	Antislab Assembly	
1	316008	Support - Wldmt 304	1
2	316006	Round - .5 X 34.00 304	1
3	312960	Chain - .625 X 11 Links	6