



NL5000 G5 Crop Nutrient Applicator

Precision Application

- 16-section swath width control
- ½ width spreading
- Last pass control
- Boundary spreading
- Precise independent spinner control and monitoring
- Automatic feedgate and fan frame control

Ease of Use

- Intuitive New Leader user interface with up to 25 stored product profiles
- System sensors to monitor spreader performance
- Feedgate optimizer with automatic adjustment

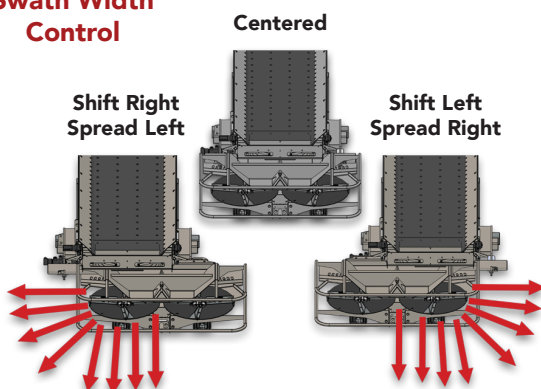
Ease of Maintenance

- Centralized grease banks
- Automatic chain tensioner
- Automatic chain oiling function and alarms
- 304 stainless steel cross tubes, mounts, and take-up brackets
- Diagnostic feedback

Multi-Product Capabilities

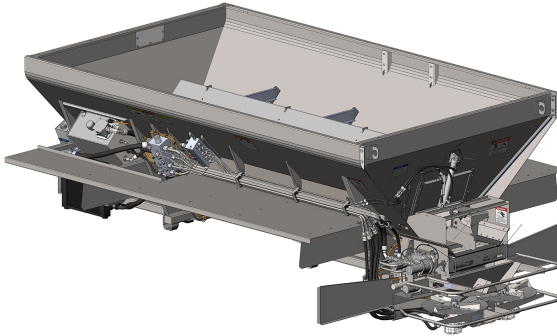
- MultiApplier: Two product, variable rate spreading
 - Enhanced feedgate design for higher outputs
 - Stainless steel connections for easy removal
- MultiBin: Four product, variable rate spreading
 - Stainless steel connections for easy removal
 - Stainless steel MicroBin Top Cover

Swath Width Control

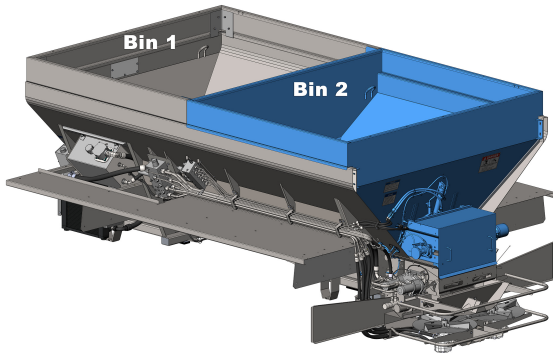




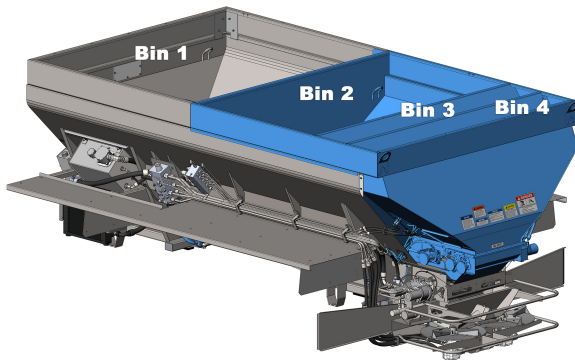
NL5000 G5 Specifications



NL5000 G5	
Length	in (cm)
13' (3.96m)	188 (478)
14' (4.27m)	200 (508)
Struck Capacity	Cu Ft (Cu M)
13' (3.96m)	276 (7.82)
14' (4.27m)	298 (8.44)
Estimated Weight	lbs (kg)
13' (3.96m)	4900 (2223)
14' (4.27m)	5100 (2313)



MultiApplier	5ft MultiApplier	7ft MultiApplier
Est. Ship Weight	1200 (544 kg)	1400 (635 kg)
	Capacities with 5 ft. MultiApplier Cu ft (Cu M)	Capacities with 7 ft. MultiApplier Cu ft (Cu M)
Insert Capacity	115 (3.25)	161 (4.60)
13' (3.96m) Bin 1 Struck Capacity	224 (6.34)	166 (4.70)
13' (3.96m) Bin Total Struck Capacity	339 (9.59)	327 (9.26)
14' (4.27m) Bin 1 Struck Capacity	253 (7.16)	195 (5.52)
14' (4.27m) Bin Total Struck Capacity	368 (10.42)	356 (10.08)



MultiBin - sideboard included	
Struck Capacity	Cu Ft (Cu M)
13' NL5000 w/ MultiBin - Bin 1	166 (4.70)
14' NL5000 w/ MultiBin - Bin 1	195 (5.52)
MultiBin - Bin 2	139 (3.94)
MultiBin - Bin 3	23 (.65)
MultiBin - Bin 4	21 (.59)
14' Total Capacity	378 (10.70)

MultiBin - Sideboard included	
13' Unit - Bin 1 Length w/ MultiBin (B)	72 in (183cm)
14' Unit - Bin 1 Length w/ MultiBin (B)	84 in (213cm)
Est. Ship Weight	1800 (816kg)



Products and specifications subject to change without notice.
 Photos and illustrations may or may not include optional equipment.
 New Leader® is a registered trademark of Highway Equipment Company, Inc., d/b/a New Leader Manufacturing.
 © 2019 Highway Equipment Company, Inc., d/b/a New Leader Manufacturing.
 NL5000-2023-01