



L5034G4 Compost Spreader

More profit for less time in the field is possible with the L5034G4 compost spreader. Built for durability and versatility, it gives operators the power to cover more ground faster, while maintaining an accurate spread pattern.

Precision Application

- Extra wide 34" (86cm) conveyor and 50° side slopes for better material flow and increased output
- 118" (300cm) wide body for increased payload capacity

Ease of Use

- Hydraulic oil cooler
- Hydraulically-controlled feedgate for in-cab adjustments
- ISOBUS-ready

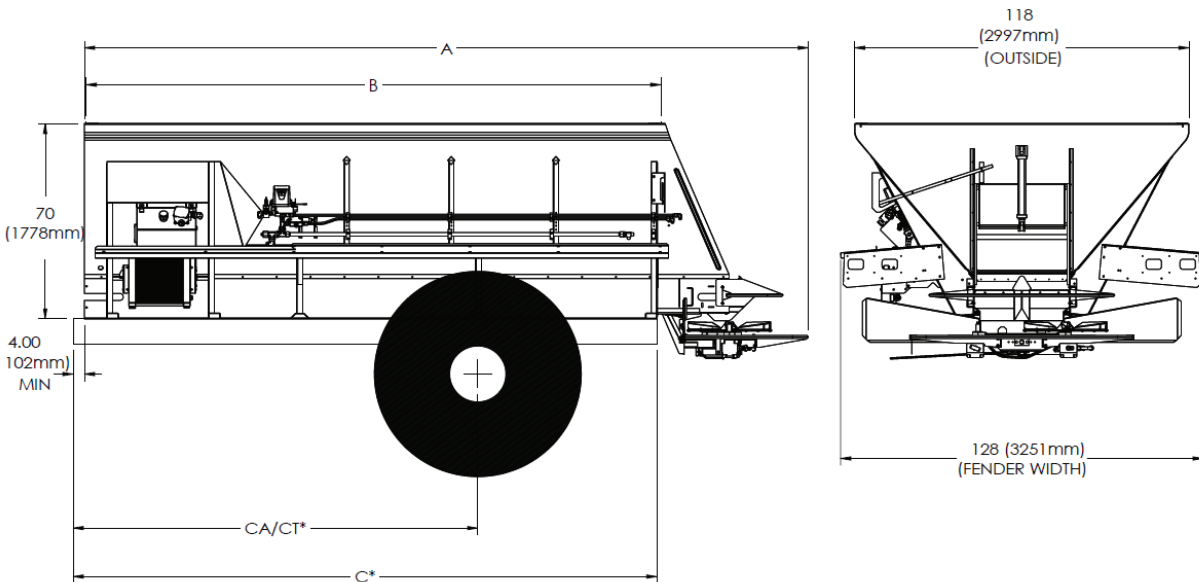
Ease of Maintenance

- Stainless steel conveyor floor

L5034G4 Specifications

| L5034 | | | | |
|-----------------|----------------|--------------|----------------|----------------|
| Unit Length (m) | Overall Length | Body Length | Frame Length | Outside Width |
| 13' (3.96m) | 196" (497.8cm) | 144" (366cm) | 147" (373.4cm) | 118" (299.7cm) |
| 14' (4.27m) | 208" (528.3cm) | 156" (396cm) | 159" (403.9cm) | 118" (299.7cm) |
| 16' (4.88m) | 232" (589.3cm) | 180" (457cm) | 183" (464.8cm) | 118" (299.7cm) |
| 18' (5.49m) | 256" (650.2cm) | 204" (518cm) | 207" (525.8cm) | 118" (299.7cm) |
| 21' (6.40m) | 292" (741.7cm) | 240" (610cm) | 243" (617.2cm) | 118" (299.7cm) |

| L5034 | | | |
|-----------------|-----------------|------------------------------|--------------------------|
| Unit Length (m) | Spreader Height | Struck Capacity Cu Ft (Cu M) | Approx. Weight lbs. (kg) |
| 13' (3.96m) | 70.7" (190cm) | 361 (10.2) | 5200 (2358 kg) |
| 14' (4.27m) | 70.7" (190cm) | 392 (11.1) | 5600 (2540 kg) |
| 16' (4.88m) | 70.7" (190cm) | 453 (12.8) | 6400 (2903 kg) |
| 18' (5.49m) | 70.7" (190cm) | 515 (14.5) | 7200 (3266 kg) |
| 21' (6.40m) | 70.7" (190cm) | 608 (17.2) | 8400 (3810 kg) |



Products and specifications subject to change without notice.
 Photos and illustrations may or may not include optional equipment.
 New Leader® is a registered trademark of Highway Equipment Company, Inc., d/b/a New Leader Manufacturing.
 © 2019 Highway Equipment Company, Inc., d/b/a New Leader Manufacturing.
 L5034-2019-01