


GENERAL DESCRIPTION

These instructions will guide you through the process of replacing fins on New Leader spreaders with 24" (61cm) dished spinner discs. Please refer to the operator's manual for details on safety, operation and maintenance.

	WARNING! Flying material and moving parts hazard! Shut off machine and disconnect power source before servicing or adjusting to avoid entanglement of hair or body parts, causing serious injury or death.
---	---

<u>PART NO.</u>	<u>DESCRIPTION</u>	<u>QTY.</u>
308743	Fin Kit - includes the following parts:	1
309091	Fin - Wldmt RH	4
309092	Fin - Wldmt LH	4
20034	Cap Screw - 5/16-18NC x 3/4 (7 ga. Discs)	24
20035	Cap Screw - 5/16-18NC x 7/8 (1/4" Discs)	24
20677	Nut - Lock 5/16-18NC	24

INSTRUCTIONS

REMOVE FINS

1. Loosen lock nuts and capscrews to remove worn spinner fins and discard.

REPLACE FINS

1. Clean and paint spinner discs as needed.
2. Locate proper replacement fin, capscrews and lock nuts from Fin Kit.
 - 1/4" (6mm) spinner discs require longer 7/8" (22mm) screw.
 - 7 gauge spinner discs require shorter 3/4" (19mm) screw.
3. Position fin with gusset near outer edge of spinner disc per figures 1 and 2.
 - Figure 1 - Gusset faces counter-clockwise for lefthand disc.
 - Figure 2 - Gusset faces clockwise for righthand disc.

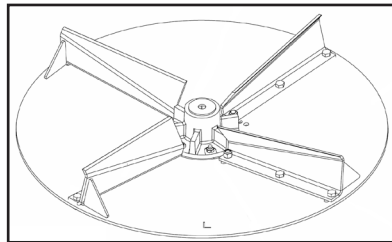


Figure 1 - LH spinner disc - gussets point counter-clockwise

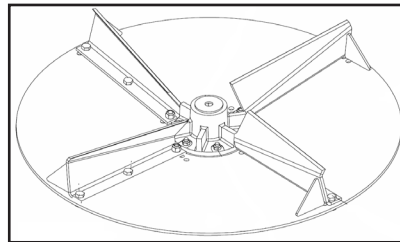


Figure 2 - RH spinner disc - gussets point clockwise

4. Place fin hole closest to gusset over proper hole on outer edge of spinner disc per Figures 3a or 3b as applicable.
 - Figure 3a - 30" wide bottom: Two opposing fins in position 1 and two opposing fins in position 2.
 - Figure 3b - 24" wide bottom: All fins installed in position 2.

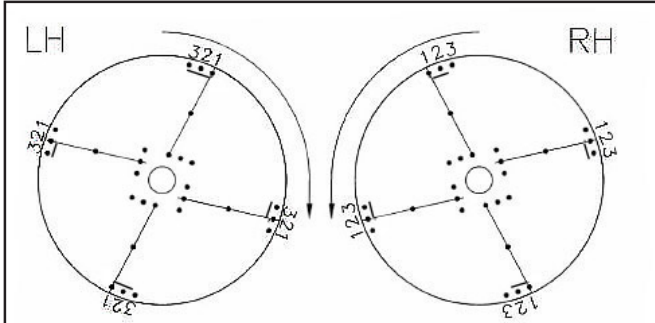


Figure 3a - Fin locations for 30" bottom

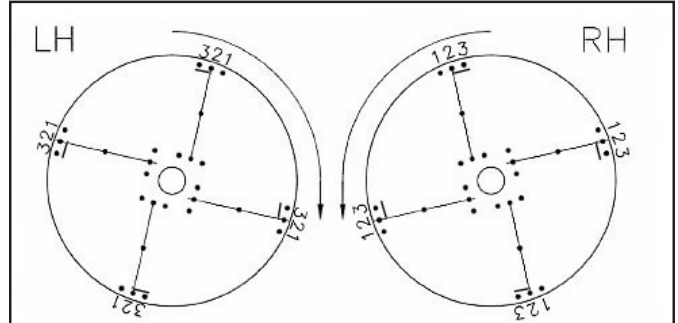


Figure 3b - Fin Locations for 24" Bottom

5. Place capscrew in outer fin mounting hole from top side, through fin then spinner disc, as shown in Figure 4. On the underside of disc, place lock nut on screw and tighten by hand.

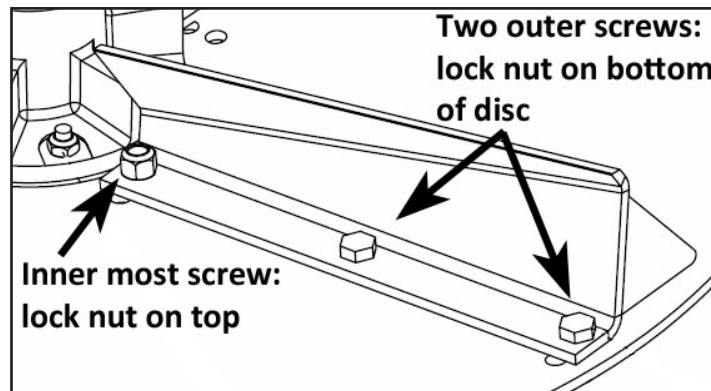


Figure 4 - Detail of cap screw positions

6. Repeat for middle fin mounting hole.
7. Verify positioning of fin is correct for spreader model (Figure 3).
8. Install inner cap screw in opposite direction, from bottom side, through spinner disc then fin (Figure 4). Install lock nut and tighten by hand.
9. Finish tightening all screws to torque recommended in the "Standard Torques" section of your operator's manual.
10. Repeat steps 2-9 for each fin replaced.
11. If spinner disc was removed completely from spreader, place spinner discs back in proper position. When facing rear of spreader, the righthand disc goes on the right side of the spinner assembly, and the lefthand disc goes on the left side. When properly installed, the discs should be positioned to each other as shown in Figures 1 and 2.

NOTE: For 1/4" spinner discs, ensure 9/16" (14mm) washer is in place on top of spinner motor shaft, beneath spinner hub, to provide proper spinner disc clearance. Refer to spreader parts manual for details.
12. Tighten all hardware to proper torque, and replace all guards and other parts removed for service before operating machine.