



Guardian L3030G4 MULTAPPLIERS Parts List

UNIT SERIAL NUMBER _____

MULTAPPLIER SERIAL NUMBER _____

MANUAL NUMBER: 307369-AB-G

EFFECTIVE 02/2019



1330 76TH AVE SW
CEDAR RAPIDS, IA 52404-7052
PHONE (800) 363-1771 | FAX (319) 286-3350
www.newleader.com

Copyright 2019 Highway Equipment Company, Inc.
Now doing business as New Leader Manufacturing

Table of Contents

Interactive Features	4
Instructions for Ordering Parts	5
Body.....	6
Side Boards - Single Bin	6
Side Boards - MultiApplier	7
Inverted "V"	8
Sight Window	9
Bin Sensor	10
Feedgate Endgate, Feedgate & Jack.....	11
Hydraulics - MultiApplier Ready.....	12
Hydraulics - MultiApplier complete	14
Conveyor.....	16
#5 Conveyor Belt	16
#5 Straight Belt Shields.....	17
Conveyor Drive.....	18
Conveyor Idler	19
Gearcase Assy & Breather Tube	20
Gearcase - Single Pinion.....	21
Guard - Drive & Snubber Pulley	22
Guard - Front Cover	23
Encoder.....	24
Front Wiper.....	25
Decals	26
Spinners.....	28
Material Divider	28
Hillside Divider	29
Spinner Assembly.....	30
Spinner Guard & Shields	33
Spinner Sensor.....	34
MultiApplier	35
Mounts.....	36
Rear Feedgate - Style II.....	37
Wiper & Front Feedgate - Style I	38
Wiper & Front Feedgate - Style II	39
Sealers - Style I.....	40
Sealers - Style II.....	41
Hillside Divider & Conveyor Cover - Style I.....	42
Hillside Divider & Conveyor Cover - Style II.....	43
#4 Belt-Over-Chain (BOC) Conveyor	44
Chain Shields	45
Conveyor Drive & Encoder	46
Conveyor Idler	47
Bin Sensors.....	48
Extended Idler Zerks	49
MultiApplier Hydraulics.....	50

This page is intentionally left blank.

Interactive Features

NOTE:

This manual incorporates several interactive features to provide supplemental information and ease of navigation. The information below is to aid in the identification and use of these features.

Hyperlinks

Hyperlinks provide direct access to a specific destination when clicked. The entire Table of Contents of this manual is hyperlinked to provide quick access to all sections of this manual when viewing the electronic version.

Hyperlinks within the content are denoted by **blue, bold underlined text**. Electronic format viewers can click these links for direct access to New Leader online features. Internet access is required.

Quick Reference (QR) Codes

Quick reference codes provide direct access to a specific destination when activated. An example is provided below. In the printed version of this manual, viewers may scan the codes with a supporting mobile device for direct access to New Leader online features. Mobile data is required.

The electronic version of this manual provides the option to scan codes on-screen, or to click the code like a button. Internet access/mobile data is required.



Click or Scan - NewLeader.com



Order from the **AUTHORIZED DEALER** in your area.

1. Always give the pertinent model and serial number.
2. Give part name, part number and the quantity required.
3. Give the correct address to where the parts are to be shipped, and the carrier if there is a preference.

Unless claims for shortages or errors are made immediately upon receipt of goods they will not be considered. Any part returns should be directed through the dealer from which they were purchased.

When broken goods are received, a full description of the damage should be made by the carrier agent on the freight bill. If this description is insisted upon, full damage can always be collected from the transportation company.

No responsibility is assumed for delay or damage to merchandise while in transit. Our responsibility ceases upon delivery of shipment to the transportation company from whom a receipt is received showing that shipment was in good condition when delivered to them, therefore, claims (if any) should be filed with the transportation company and not with Highway Equipment Company.

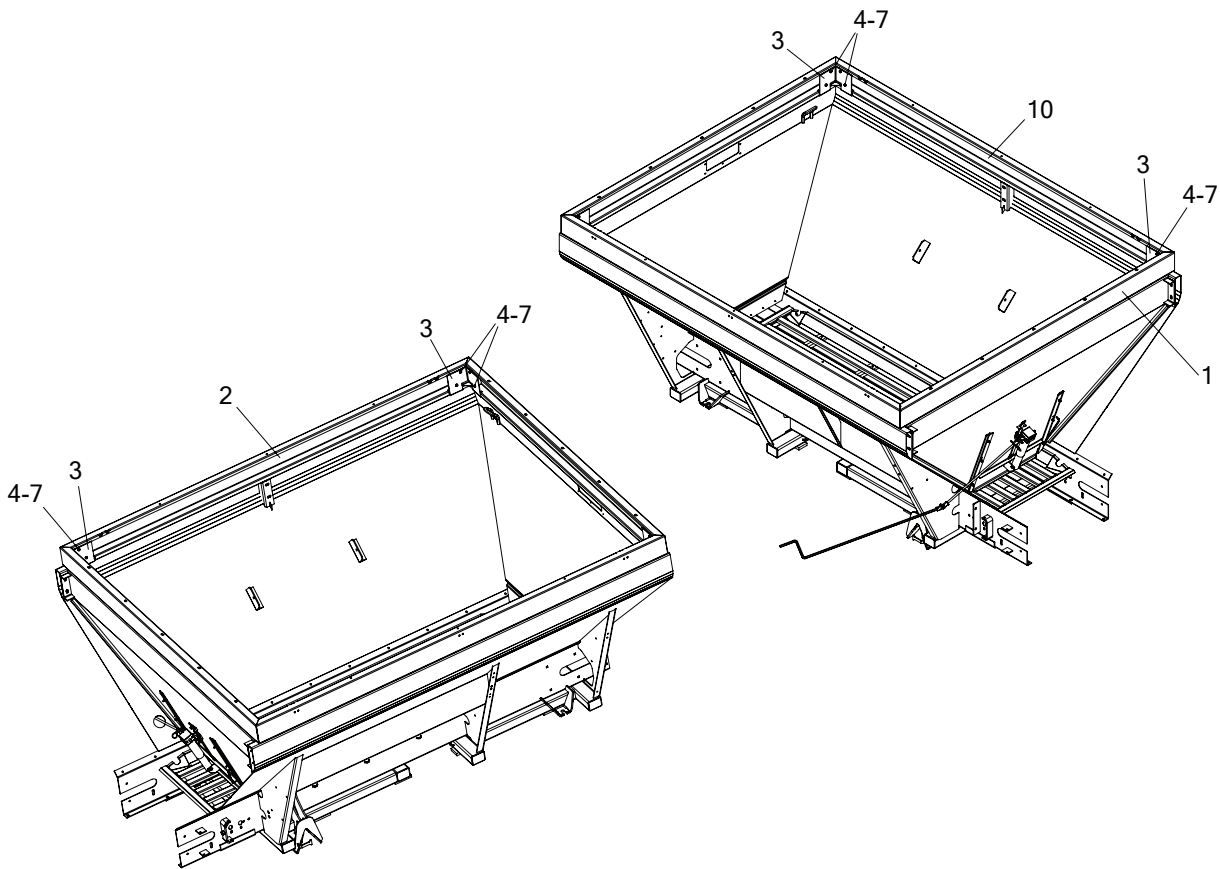
If your claims are not being handled (by the transportation company) to your satisfaction, please call our Product Sales & Support Department at Highway Equipment Company at 888-363-8006 for assistance.

In the parts list the following symbols and abbreviations stand for:

- * - Not Shown
- AR – As Required
- CS – Carbon Steel
- SS – Stainless Steel
- NS – Not Serviced

The parts listed under the different steel types (CS, 409 SS and 304 SS) are for that type of unit and do not necessarily mean the part is made of that type of steel.

Side Boards - Single Bin

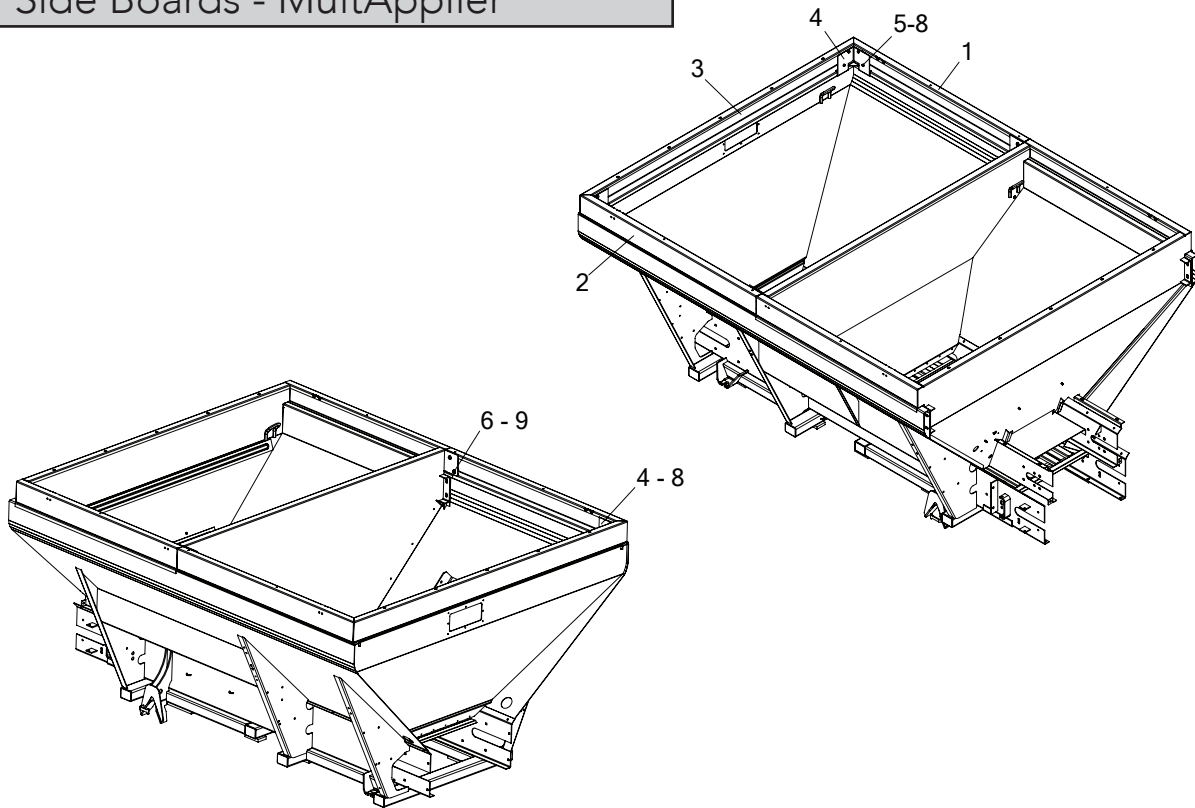


ITEM	PART NO.	DESCRIPTION	QTY
1	308511	Side Board - Weldment Rear + 6	1
2	311255	Side Board - Weldment 10.5' + 6 LH 304	1
3	308522	Side Board - Bracket Corner	4
4	36398	Capscrew - 3/8-16NC x 1 SS	16
5	36425	Washer - Flat 3/8 SS	16
6	36420	Washer - Lock 3/8 SS	16
7	36414	Nut - Hex 3/8-16NC SS	16
8	*53950	Rubber - 1/4 x 2-1/4 x 37-1/2	ft 37.5
9	*96254-AB	Adhesive - Black Cyanoacrylate	5
10	312712	Side Board - Weldment 10.5' + 6 RH 304	1

* - Not Shown Item 8 attached to bottom of items 1 & 2 with item 9.

Body

Side Boards - MultApplier

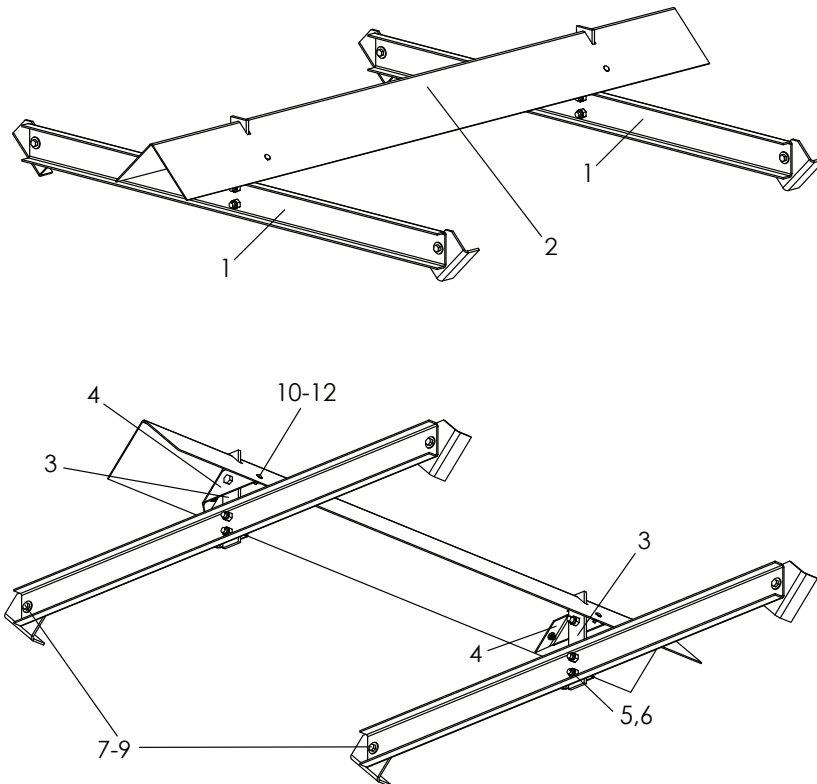


<u>ITEM</u>	<u>PART NO.</u>	<u>DESCRIPTION</u>	<u>QTY</u>
1	309303	Side Board - Weldment RH 304	1
2	311249	Side Board - Weldment LH 304	1
3	308511	Side Board - Weldment Front +6 304	1
4	308522	Side Board - Bracket Corner +6 304	2
5	36398	Cap Screw - 3/8-16NC x 1 SS	8
6	36420	Washer - Lock 3/8 SS	12
7	36425	Washer - Flat 3/8 SS	16
9	36414	Nut - Hex 3/8-16NC SS	12
9	36399	Cap Screw - 3/8-16NC x 1-1/4 SS	4
10	*53950	Rubber - 1/4 x 2-1/4 x 19'	19
11	*96254-AB	Adhesive - Black Cyanoacrylate	2.5

* - Not Shown Item 10 attached to bottom of items 1, 2 & 3 with item 11.

Body

Inverted "V"

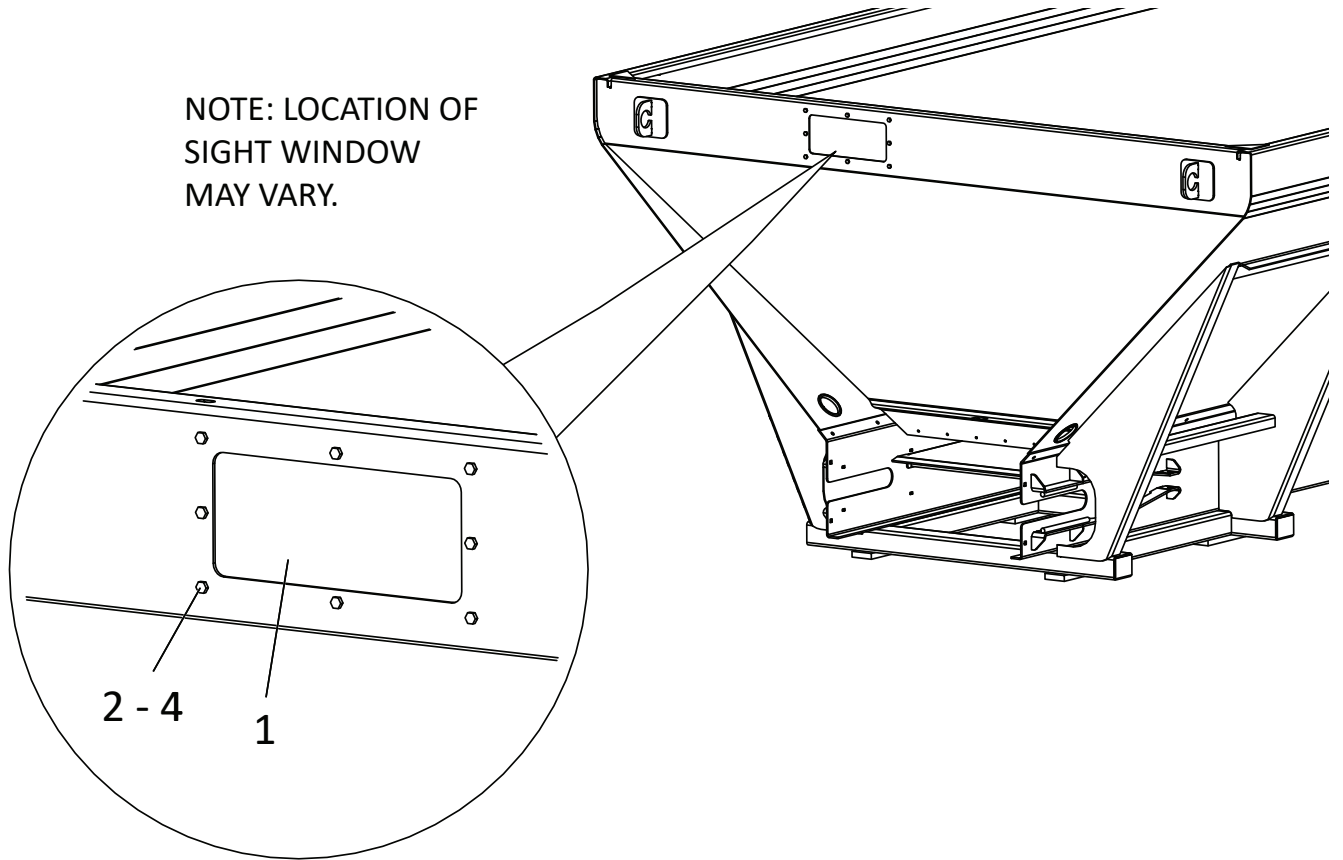


<u>ITEM</u>	<u>PART NO.</u>	<u>DESCRIPTION</u>	<u>QTY</u>
	409 SS		
1	81262	Hanger – V Wldmt	2
2	82617	Inverted V - 7'	1
3	308646	Bar – Adjusting	2
4	302371	Bracket – V Bolt-on	2
5	58800	Cap Screw – 5/8-11NC x 1-3/4 SS	6
6	41762	Nut - Lock 5/8-11NC SS	6
7	36402	Cap Screw - 1/2-13NC x 1-1/4 SS	4
8	36426	Washer - Flat 1/2 SS	4
9	39016	Nut - Lock 1/2-13NC SS	4
10	42639	Bolt - Carriage 5/16-18NC x 1 SS	4
11	36424	Washer - Flat 5/16 SS	4
12	42221	Nut - Lock 5/16-18NC SS	4

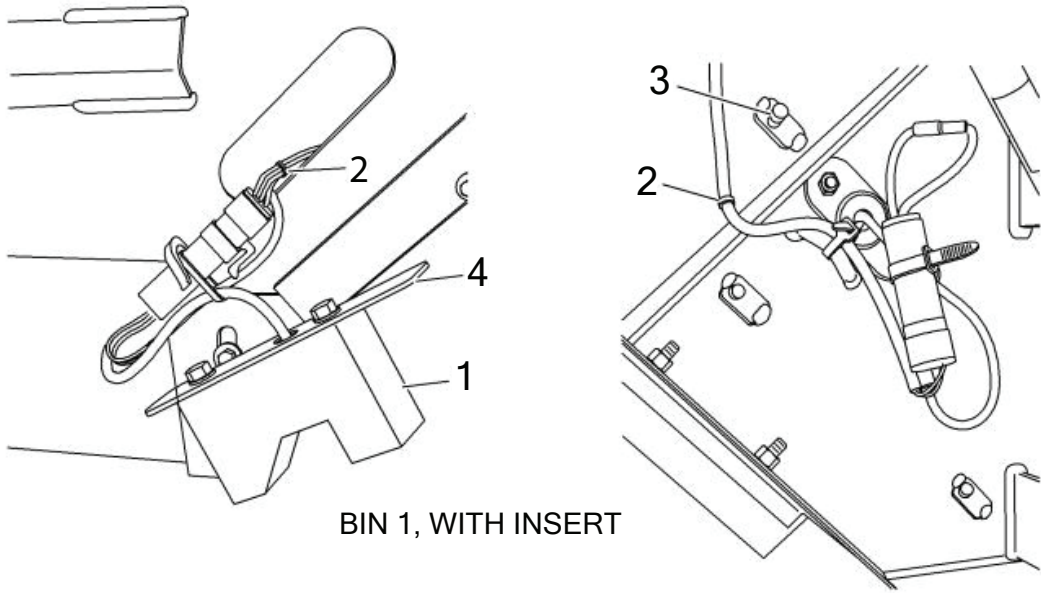
Body

Sight Window

NOTE: LOCATION OF
SIGHT WINDOW
MAY VARY.



<u>ITEM</u>	<u>PART NO.</u>	<u>DESCRIPTION</u>	<u>QTY</u>
1	302686	Window - Sight 5" x 12"	1
2	36395	Cap Screw - 1/4-20NC x 1 SS	8
3	36423	Washer - Flat 1/4 SS	8
4	42034	Nut - Lock 1/4-20NC SS	8



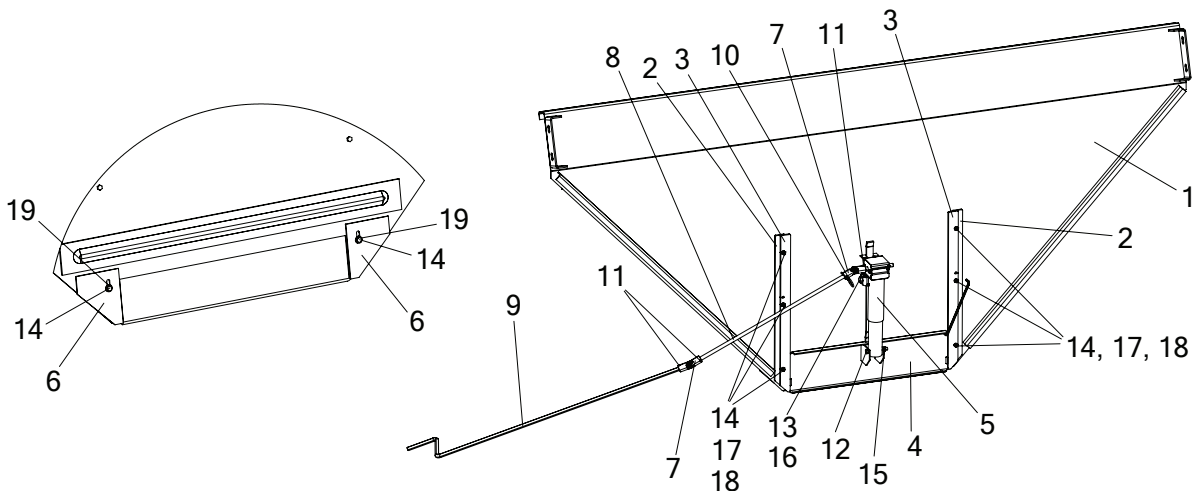
BIN 1, WITH INSERT



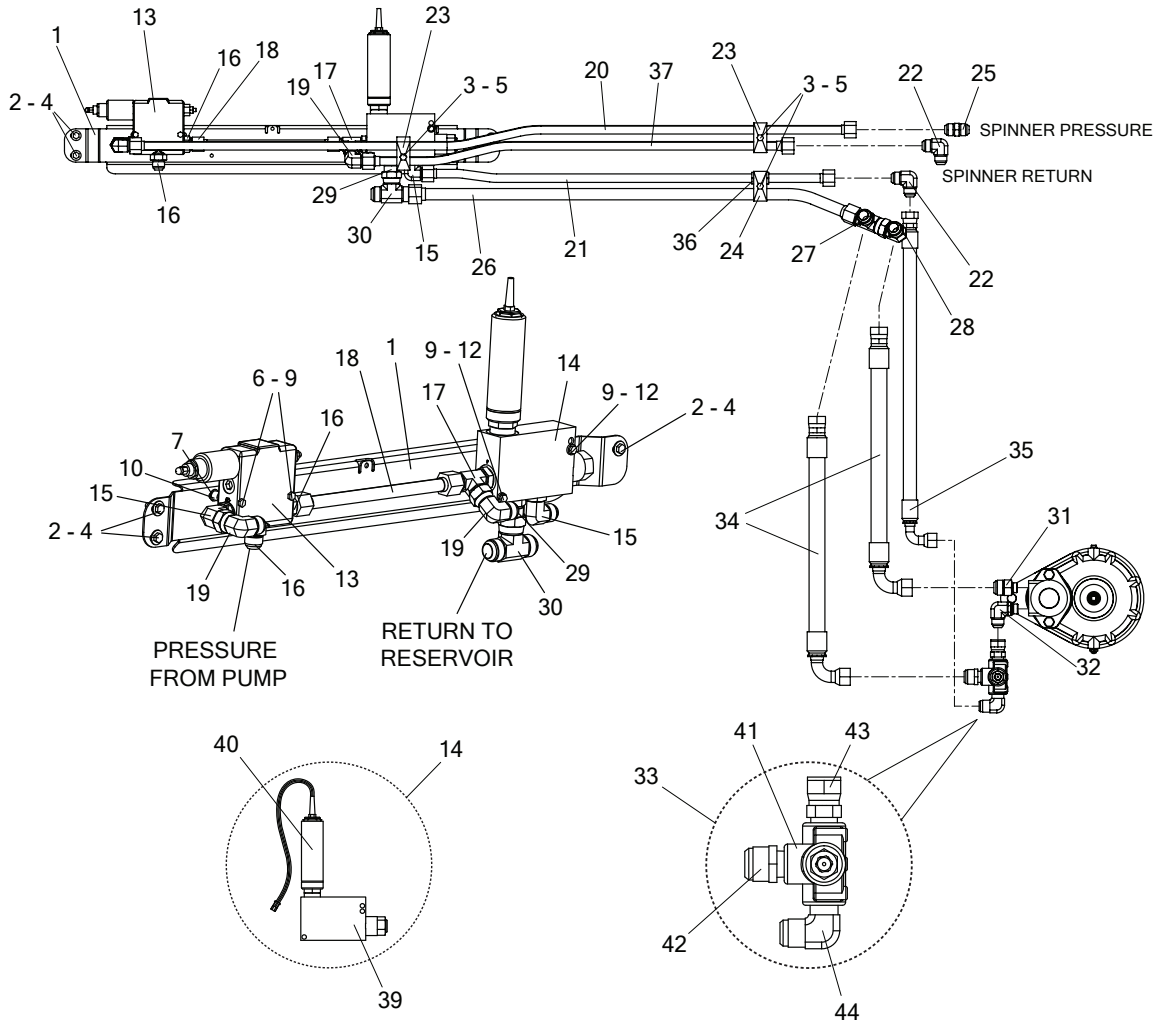
Click or Scan - Bin Sensor Test Procedure

<u>ITEM</u>	<u>PART NO.</u>	<u>DESCRIPTION</u>	<u>QTY</u>
1	98787-AB	Sensor - Bin Level w/ 18" Lead	AR
2	307130	Cable - Jumper 102"	AR
3	36393	Cap Screw - 1/4-20NC x 3/4 SS	AR
4	307124	Mount - Sensor 304	AR

* - Not Shown



ITEM	PART NO.	DESCRIPTION	QTY
1	311257	Endgate - Weldment Rear 102+6	1
2	36385	Guide – Feedgate	2
3	36384	Slide – Feedgate	2
4	306018	Feedgate Weldment 409	1
5	312975	Jack	1
6	305078	Sealer – Endgate Bolt-in (inside)	2
7	85002	U-Joint	2
8	314741	Handle – Extension	1
9	307476	Handle	1
10	86878	Pin – Hair .178 x 3-3/4	1
11	312268	Pin – Roll	3
12	71827	Cap Screw – 3/8 x 3-16NC SS	1
13	80798	Cap Screw – 1/2 x 3-3/4 SS	1
14	312394	Cap Screw – 1/4 x 1 1/4 SS	6
15	72054	Nut – Lock 3/8-16NC SS	1
16	39016	Nut – Lock 1/2 -13NC SS	1
17	42034	Nut – Hex 1/4-20NC SS	6
18	86090	Spacer - Shim Plastic	2
19	36423	Washer – Flat 1/4 SS	2



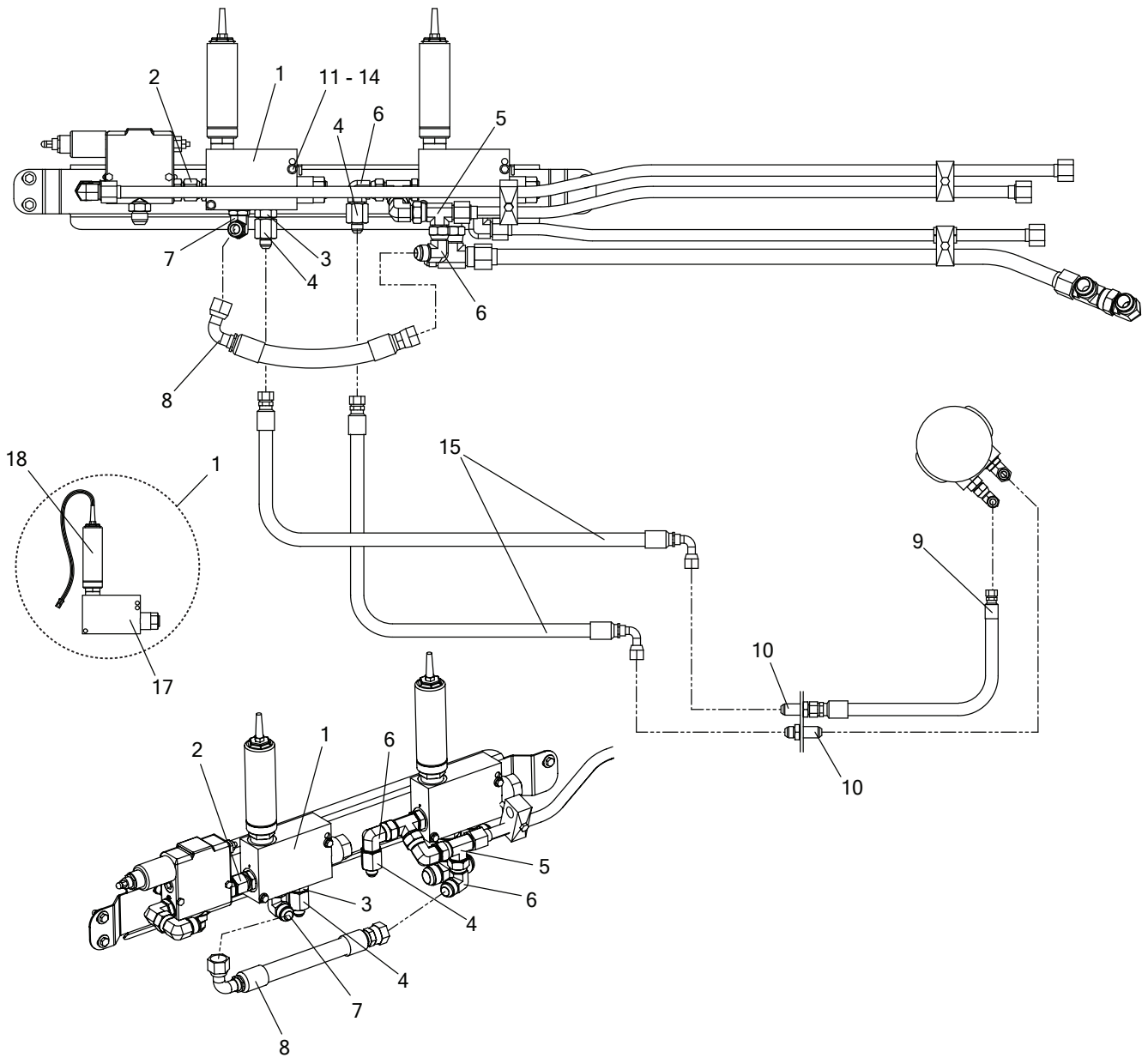
<u>ITEM</u>	<u>PART NO.</u>	<u>DESCRIPTION</u>	<u>QTY</u>
1	307448	Bracket - Valve Mtg 409	1
2	34580	Cap Screw - 5/16-18NC x 1 SS	3
3	36424	Washer - Flat 5/16 SS	9
4	42221	Nut - Lock 5/16-18NC SS	6
5	71830	Cap Screw - 5/16-18NC x 2-1/2 SS	3
6	36396	Cap Screw - 1/4-20NC x 3 SS	2
7	36423	Washer - Flat 1/4 SS	4
8	70341-X1	Spacer	2
9	42034	Nut - Lock 1/4-20NC SS	4
10	56396	Cap Screw -1/4-20NC x 3-1/2 SS	2

* - Not Shown AR - As Required

Hydraulics - Multapplier Ready Cont.

<u>ITEM</u>	<u>PART NO.</u>	<u>DESCRIPTION</u>	<u>QTY</u>
11	302098	Washer - Step 0.25ID x 0.4OD x 0.5	2
12	302097	Washer - Step 0.25ID x 0.4OD x 0.13	2
13	32485-X1	Valve - Control PWM	1
	56289	Coil - Solenoid 12VDC	AR
	56290	Cartridge - Solenoid	AR
	303922	Cable - Assy	AR
	56367	Spool - Compensating Orifice	AR
14	306278	Valve - Assy 25 GPM SFP, Includes Items 39, 40	1
15	29847	Fitting - 12-12 070220	2
16	29789	Fitting - 12-12 070120	2
17	29791	Fitting - 12-12-12 070428	1
18	307449	Tube - .75OD x .049 x 12 Assy 304	1
19	34709	Fitting - 12-12 070221	2
20	307636	Tube - .75OD x 60 Assy 304	1
21	307638	Tube - .75OD x 60 Assy 304	1
22	29785	Fitting - 12-12 070201	2
23	75036	Clamp - Tubing Twin 3/4	2
24	300033	Clamp - Tubing Twin 1	1
25	29817	Fitting - 12-12 070101	1
26	307639	Tube - 1OD x .049 x 39 Assy 304	1
27	29850	Fitting - 16-16-16 070432	1
28	29783	Fitting - 16-16 070201	1
29	305407	Fitting - 16-12 Special Str	1
30	29836	Fitting - 16-16-16 070433	1
31	29778	Fitting - 16-10 070120	1
32	29773	Fitting - 12-10 070220	1
33	87336	Valve - Assy Relief 2000 PSI, Includes Items 41 - 44	1
34	98666	Hose - 1 2CB x 23 Return	2
35	71473	Hose - Assy SAE 16 x 29	1
36	305073	Bushing - Rubber Hose	1
37	307637	Tube - .75OD x .049 x 37	1
38	307583	Grommet - Rubber 3 ID	3
39	306274	Manifold - 5-25 GPM SFP	1

* - Not Shown AR - As Required

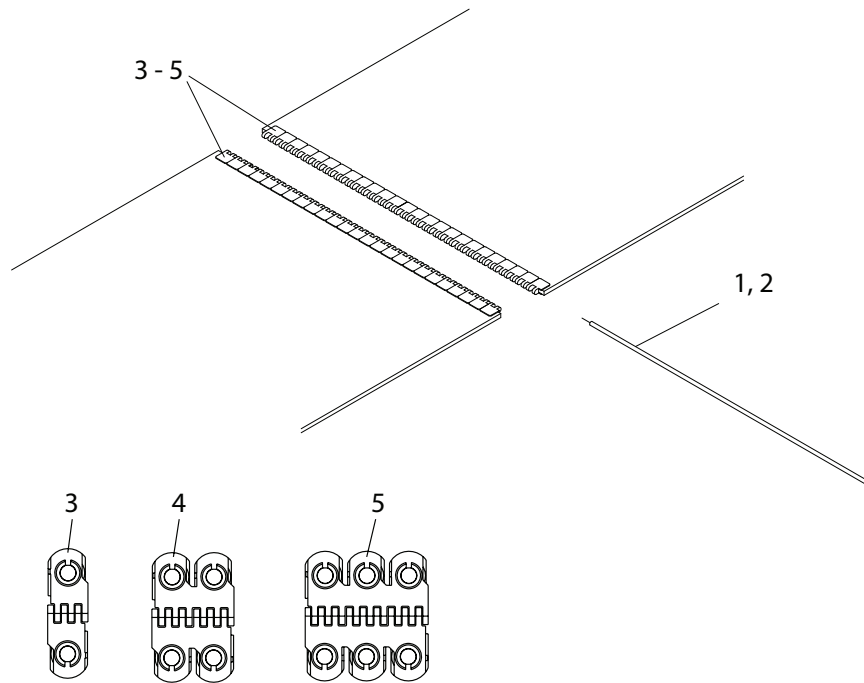


Hydraulics - Multapplier Complete Cont.

<u>ITEM</u>	<u>PART NO.</u>	<u>DESCRIPTION</u>	<u>QTY</u>
	308725	Hydraulics - Kit MultApplier, Includes Items 1 - 18	
1	306273	Valve - Assy Control 5 GPM SFP Includes Items 17-18	1
2	29788	Fitting - 12-12 S1040-30 Non-Standard	1
3	29789	Fitting - 12-12 070120	1
4	56406	Fitting - 12-8 070123	2
5	29781	Fitting - 12-12 070432	1
6	34709	Fitting - 12-12 070221	2
7	29847	Fitting - 12-12 070220	1
8	56104	Hose - Assy SAE 16 x 13-1/2 100R2	1
9	306691	Hose - SAE 8 100R1 x 30 Assy SS	1
10	34839	Fitting - 8-8 070601	2
11	42034	Nut - Lock 1/4-20NC SS	2
12	302098	Washer - Step .25ID x 0.4OD x 0.5	2
13	56396	Cap Screw - 1/4-20NC x 3-1/4 SS	2
14	302097	Washer - Step .25ID x 0.4OD x 0.13	2
15	86416	Hose - SAE 8 100R2 x 149 Assy	2
16	*99674	Wrap - Tie 8" Black	7
17	306274	Manifold - 5-25 GPM SFP	1
18	306275	Valve - Flow Control 5 GPM	1

* - Not Shown

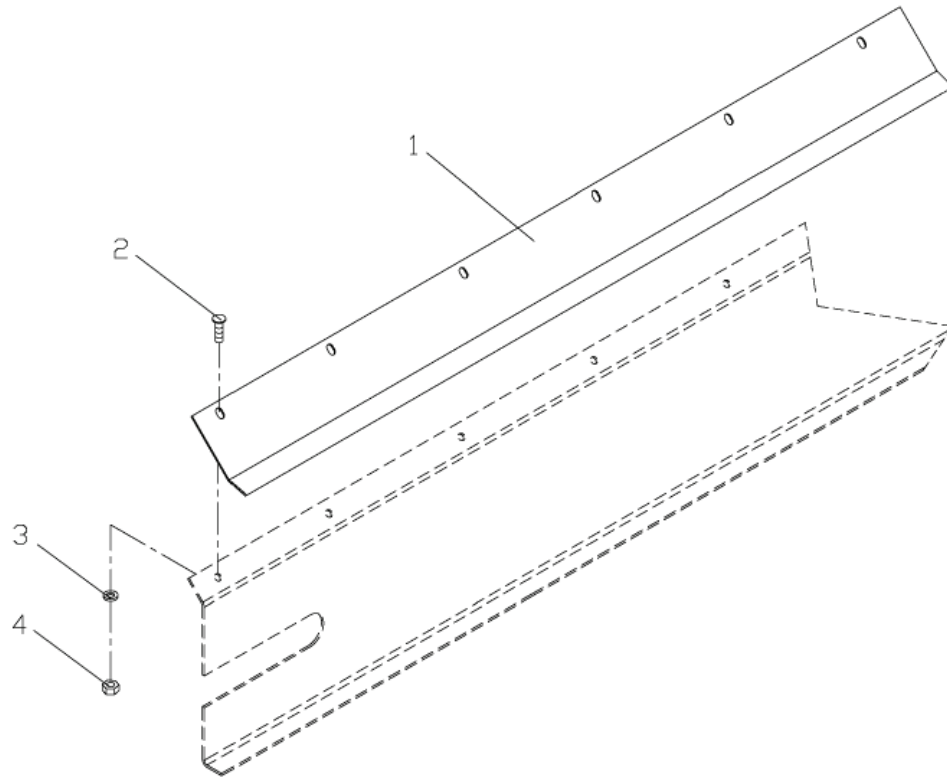
#5 Conveyor Belt



<u>ITEM</u>	<u>PART NO.</u>	<u>DESCRIPTION</u>	<u>QTY</u>
	305308-AC	Belt - Conveyor Assy with Splice	1
1	310495	Tube - Plastic	2
2	70950	Pin - Hinge	1
3	53992	Fastener - SS 1 Bolt Set With Hardware	4
4	53993	Fastener - SS 2 Bolt Set With Hardware	2
5	53994	Fastener - SS 3 Bolt Set With Hardware	6

Conveyor

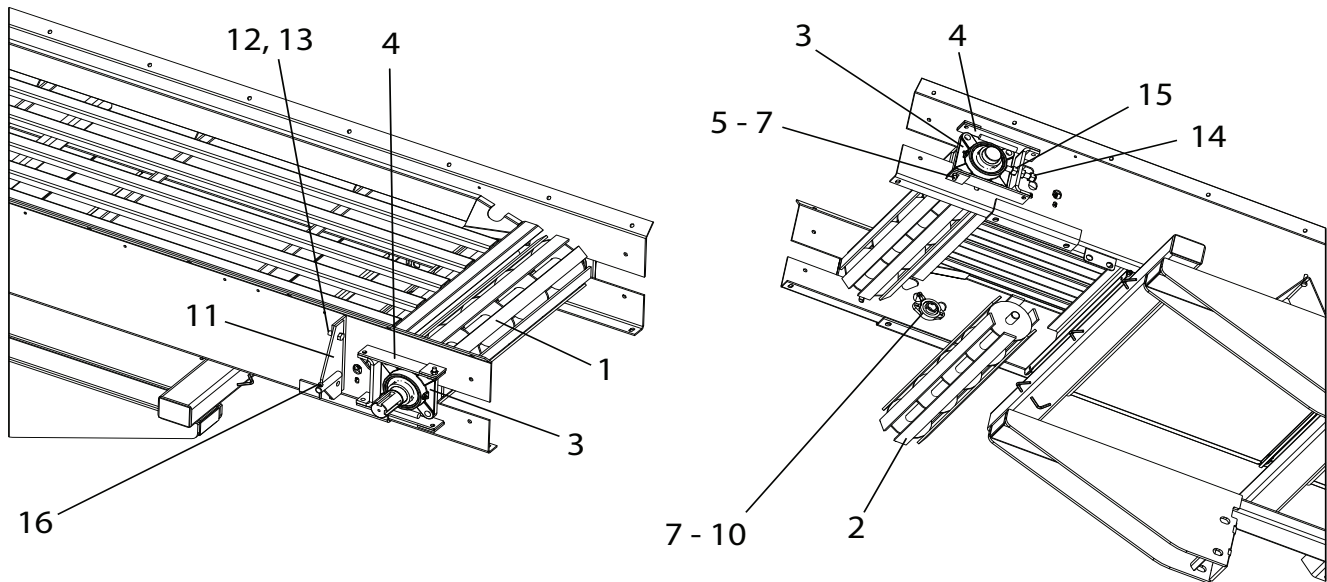
#5 Straight Belt Shields



<u>ITEM</u>	<u>PART NO.</u>	<u>DESCRIPTION</u>	<u>QTY</u>
1	43697	Shield - Chain 304	2
2	71829	Screw - Truss Head 3/8-16NC x 1 SS	24
3	36420	Washer - Lock 3/8 SS	24
4	36414	Nut - Hex 3/8-16NC SS	24

Conveyor

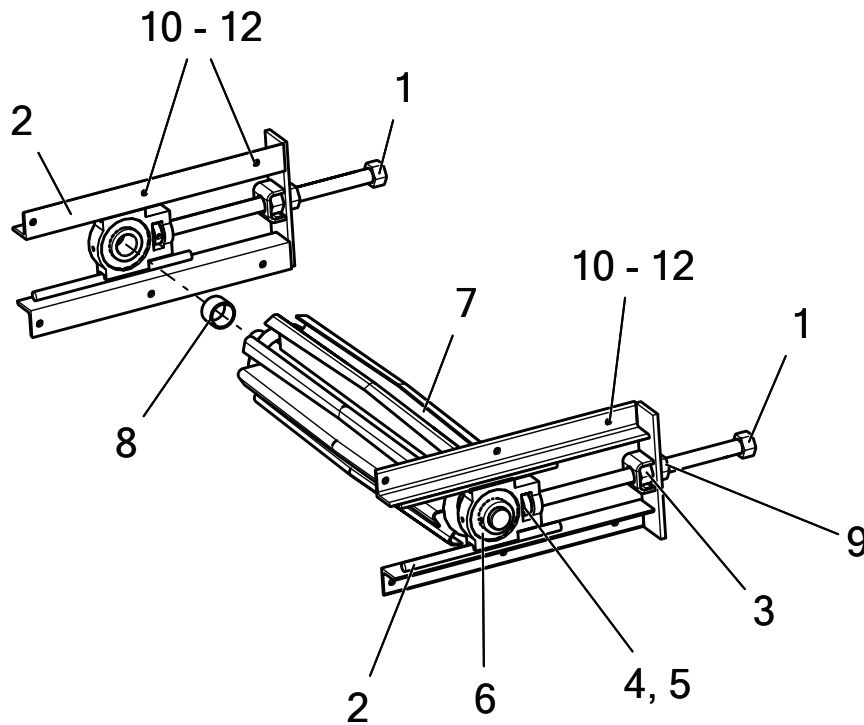
Conveyor Drive



<u>ITEM</u>	<u>PART NO.</u>	<u>DESCRIPTION</u>	<u>QTY</u>
1	71674	Drive - Wldmt Pulley	1
2	71676	Snubber - Wldmt Pulley	1
3	6465	Bearing	2
4	82885	Guide - Wldmt Bearing	4
5	36399	Cap Screw - 3/8-16NC x 1-1/4 SS	8
6	36420	Washer - Lock 3/8 SS	8
7	36414	Nut - Hex 3/8 SS	12
8	36425	Washer - Flat 3/8 SS	4
9	32468	Bearing - Assy w/ Grease Zerk	2
	6071	Grease Zerk	2
10	71772	Screw - Button Head 3/8-16NC x 1-1/4	4
11	82552	Torque Arm - LH Wldmt	1
12	20128	Cap Screw - 1/2-13NC x 1-1/4	2
13	20680	Nut - Lock 1/2-13NC	2
14	81354	Screw - Wldmt Set 5/8	1
15	36417	Nut - Hex 5/8 SS	1
16	20833	Pin - Cotter 1/4 x 1-1/2	1

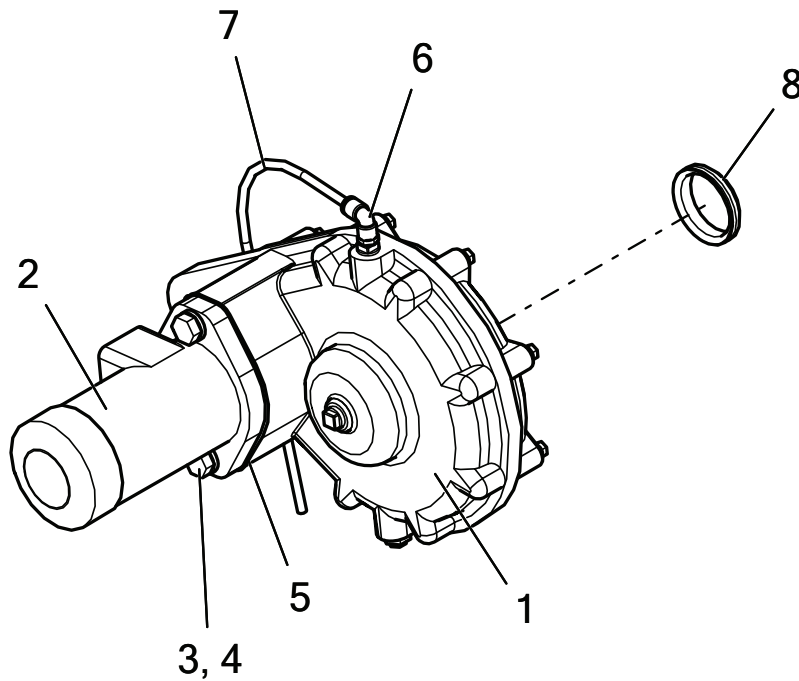
Conveyor

Conveyor Idler



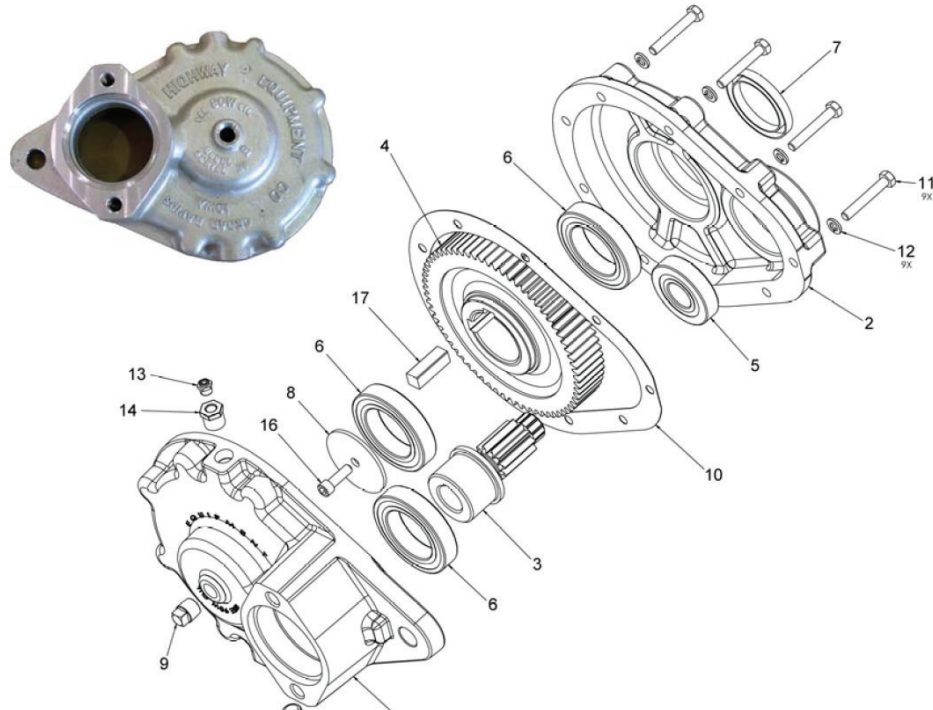
ITEM	PART NO.	DESCRIPTION	QTY
	81347-X2	Shaft - Assy Idler, Includes Items 1 - 12	1
1	36508	Screw – Wldmt Adjust	2
2	79321	Take-up Wldmt 304	2
	7895	Take-up Wldmt	2
3	39110	Nut Wldmt	2
4	20925	Pin – Roll 1/4 x 1 1/2	2
5	30725	Collar – Set 1"	2
6	22511	Bearing – Take-up	2
7	81344-X1	Wldmt – Idler Turnkleeen 304	1
8	81345	Spacer - Pipe	2
9	36509	Nut – Hex 1-8NC SS	2
10	36414	Nut – Hex 3/8 SS	12
11	36409	Bolt – Carriage 3/8 x 1-1/4 SS	12

Gearcase Assy & Breather Tube



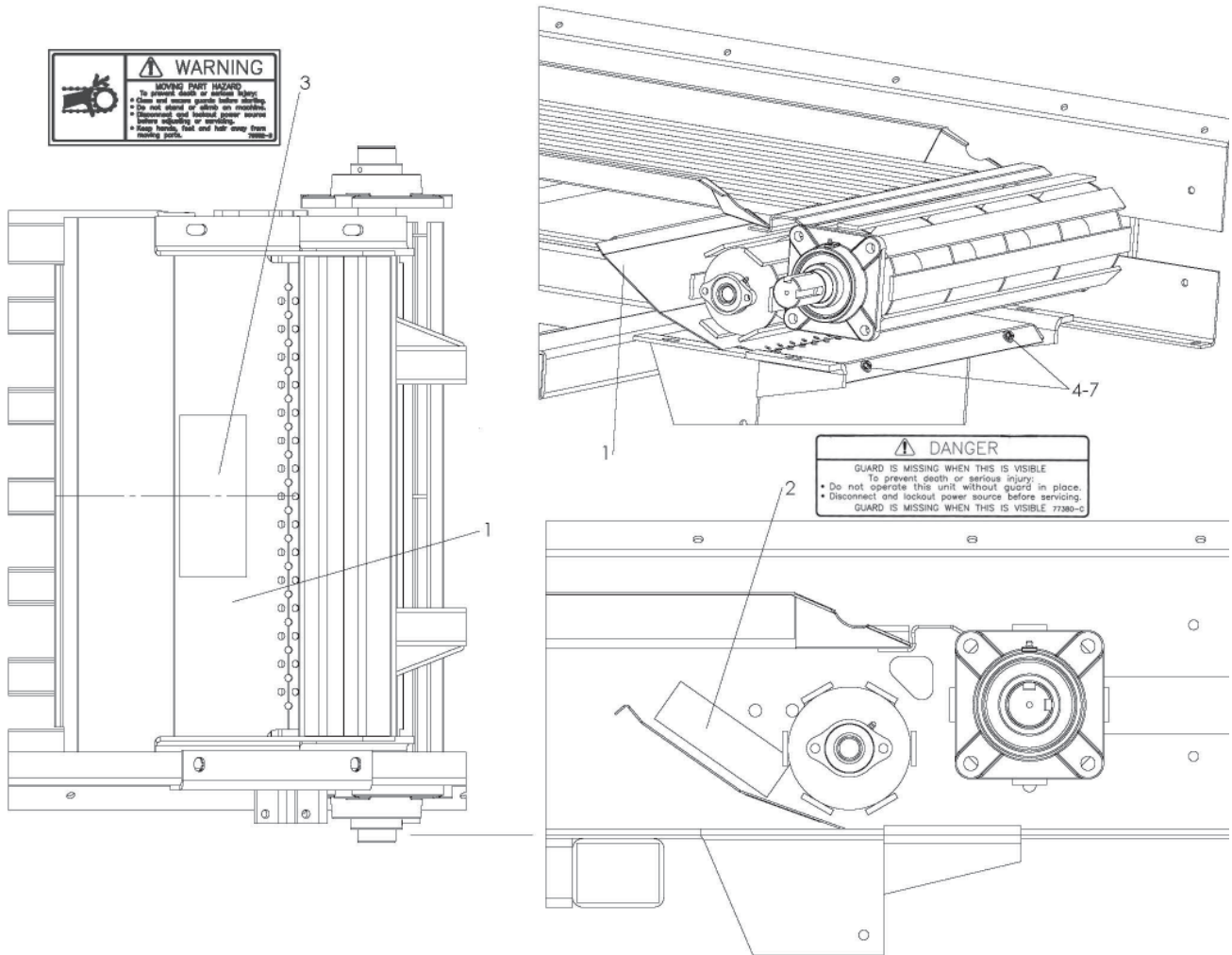
<u>ITEM</u>	<u>PART NO.</u>	<u>DESCRIPTION</u>	<u>QTY</u>
1	36671	Gearcase - Single Pinion 6:1	1
2	38897	Motor - Hydraulic 1.5"	1
3	20129	Cap Screw - 1/2-13NC x 1-1/2	2
4	20714	Washer - Lock 1/2	2
5	74524	Gasket - Motor	1
6	306891	Fitting - 4-2 630202K	1
7	310494	Tubing - 1/4 OD Air Brake Black	1
8	311172	Seal - V-Ring	1

Gearcase - Single Pinion



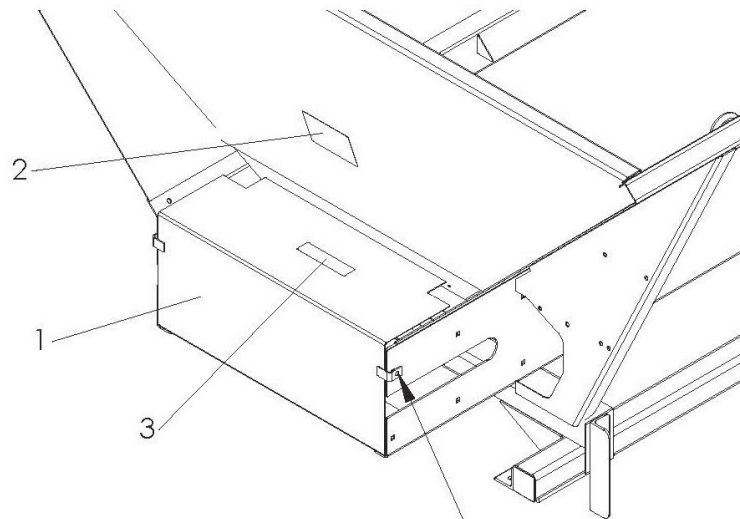
<u>ITEM</u>	<u>PART NO.</u>	<u>DESCRIPTION</u>	<u>QTY</u>
	36671	Gearcase – Assy Single Pinion	
	304269-AB	Parts – Service, Includes 1–17	
1	304559	Housing – Outboard	1
2	304560	Housing – Inboard	1
3	304561	Gear – Pinion 11 Tooth	2
4	304562	Gear – Driven 67 Tooth	1
5	37007	Bearing	2
6	37008	Bearing	4
7	37006	Seal – Oil	1
8	38979	Washer – Flat 2-1/2 x 11/32	2
9	6031	Plug – Pipe	1
10	304563	Gasket – Housing	1
11	20040	Cap Screw – 5/16NC x 2	10
12	20711	Washer – Lock 5/16	10
13	2564	Cap – Breather	1

Guard - Drive & Snubber Pulley



ITEM	PART NO.	DESCRIPTION	QTY
1	305249	Guard - Pulley Drive & Snubber	1
2	77380	Decal - Danger, Guard is Missing	2
3	79692	Decal - Warning, Moving Parts Hazard	1
4	36393	Cap Screw - 1/4-20NC X 3/4 SS	2
5	36412	Nut - Hex 1/4-20NC SS	2
6	36423	Washer - Flat 1/4 SS	2
7	36418	Washer - Lock 1/4 SS	2

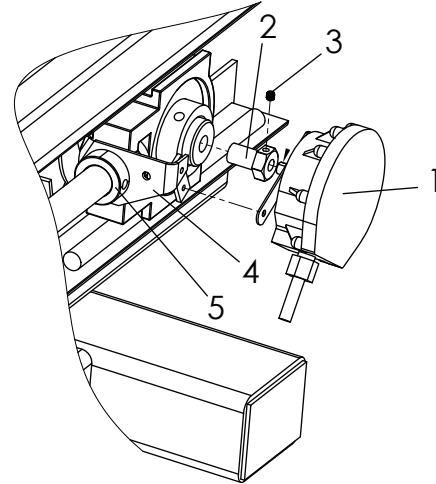
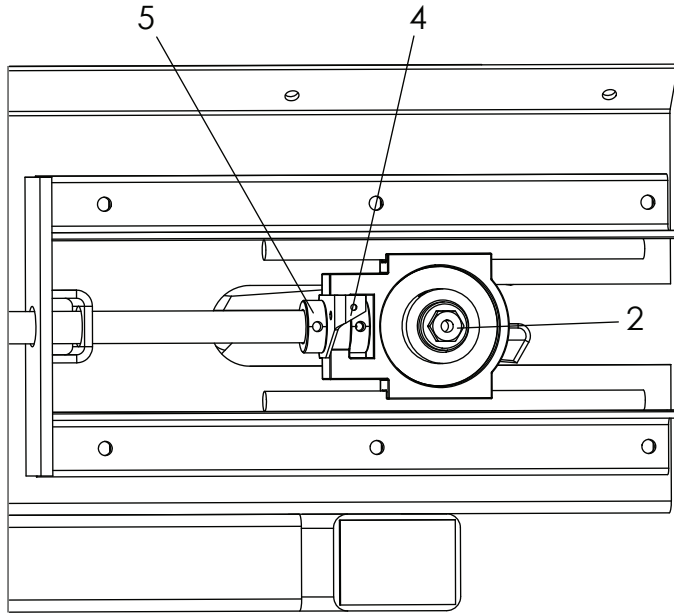
For additional Safety Decals, see Guard - Front Cover and Decals - Safety



USE IDLER BRACKET HARDWARE
TO INSTALL FRONT GUARD

ITEM	PART NO.	DESCRIPTION	QTY
1	304789	Guard – Weldment Conveyor	1
2	55631	Decal – Warning Moving Part Hazard	1
3	39017	Decal – No Step	1
4	* 73797-13	Liner – Edge 13"	1

* - Not Shown

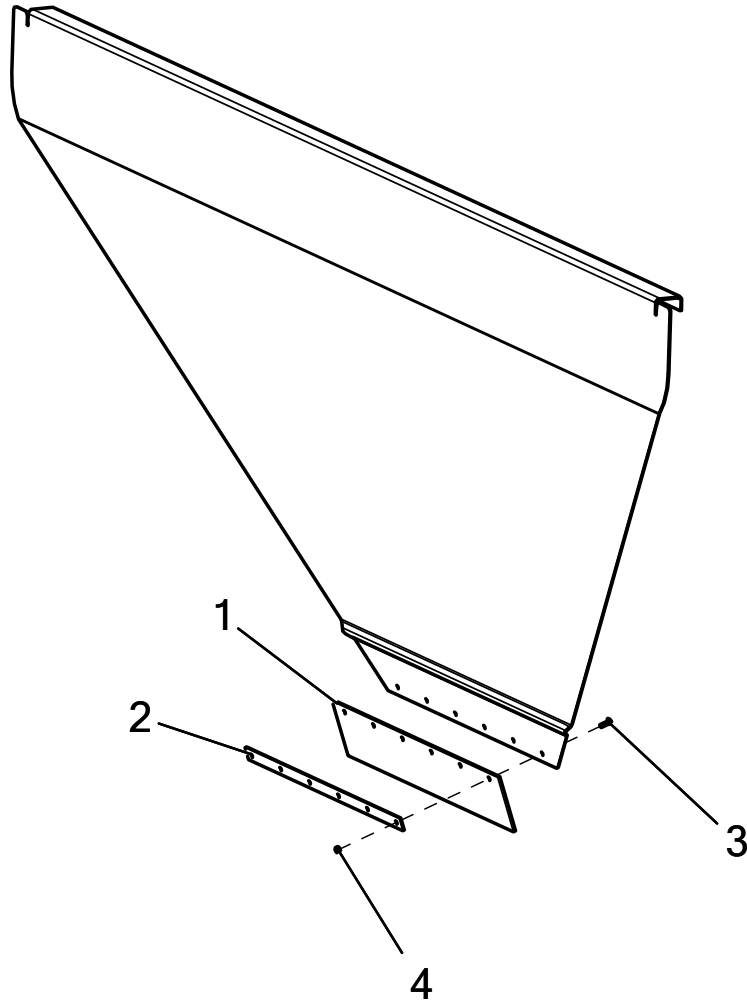


[Click or Scan - Encoder Test Procedure](#)

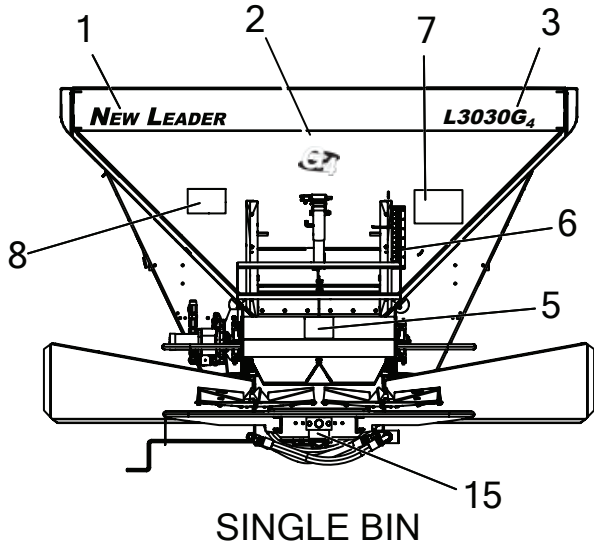
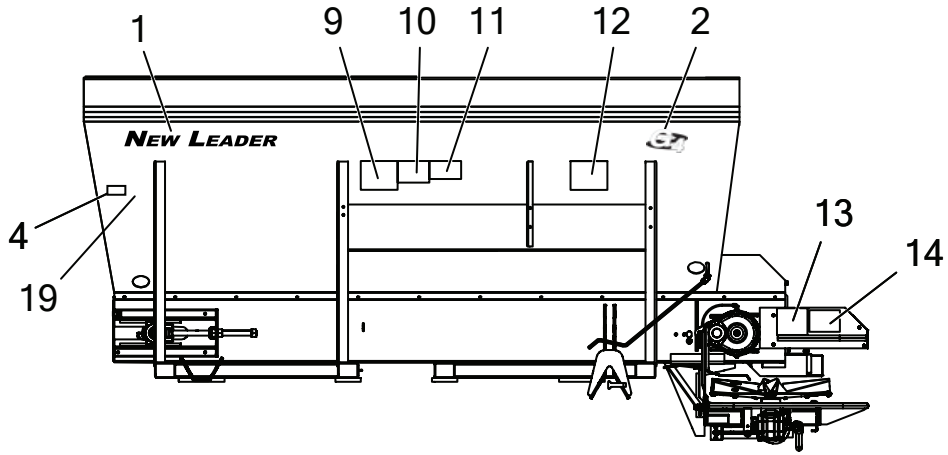


[Click or Scan - Encoder Installation Procedure](#)

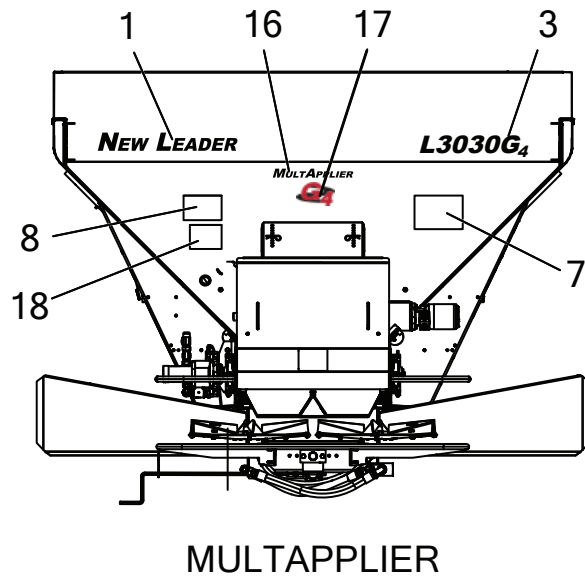
ITEM	PART NO.	DESCRIPTION	QTY
1	303994	Encoder – 180 with Hardware	1
2	310601	Coupler - Rate Sensor SS	1
3	310603	Screw - Set 1/4-20NC x 5/16 SS	1
4	81949	Bracket - Sensor, Idler Mount	1
5	2696	Collar - Set 1"	1



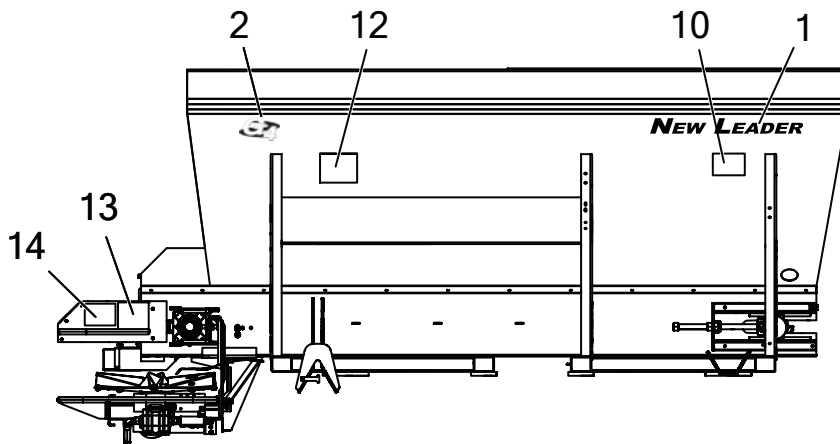
ITEM	PART NO.	DESCRIPTION	QTY
	90826	Belt - Front Wiper Assy, Includes Items 1 - 4	1
1	14743	Wiper - Belt	1
2	71656	Retainer - Belt 304	1
3	32446	Screw - TR HD 1/4 x 3/4	6
4	36412	Nut - Hex 1/4	6



SINGLE BIN



MULTAPPLIER



Decals

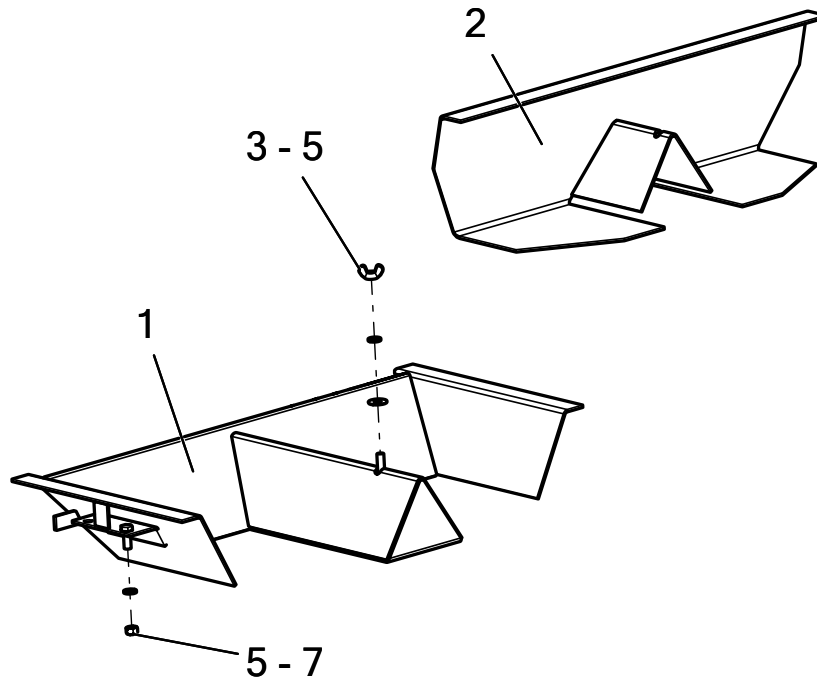
Decals Cont.

<u>ITEM</u>	<u>PART NO.</u>	<u>DESCRIPTION</u>	<u>QTY</u>
1	312561	Decal - New Leader Black	3
	312562	Decal - New Leader White	3
2	87129	Decal - G4 Black / White	3
3	305018	Decal - L3030G4 Black	1
	308649	Decal - L3030G4 White	1
4	302601	Decal - Patent 6,817,551	1
5	87109	Decal - New Leader G4	1
6	23769	Decal - Feedgate Ruler	1
7	368	Decal - Danger, Flying Material	1
8	71526	Decal - Notice, Spread Pattern	1
9	150034	Decal - Caution, Operator's Responsibilities	1
10	364	Decal - Danger, Moving Part Hazard	2
11	321	Decal - Caution, Hazardous Materials	1
12	39138	Decal - Warning - High Pressure Fluid	2
13	55630	Decal - Warning, Falling Hazard	2
14	55631	Decal - Warning, Moving Part Hazard	2
15	98319	Decal - Patent 6,517,281	1
16	312591	Decal - MultApplier Black	1
17	87122	Decal - G4 Red / Black	1
18	21476	Decal - Important, Conveyor Chain Life	1
19	315865	Decal - Warning, Prop 65	

NOTE: See "Guard - Front Cover", "Guard - Drive & Snubber Pulley" parts pages for more safety decals.

Refer to Safety Section of Operator's Manual for details on safety decals.

Material Divider

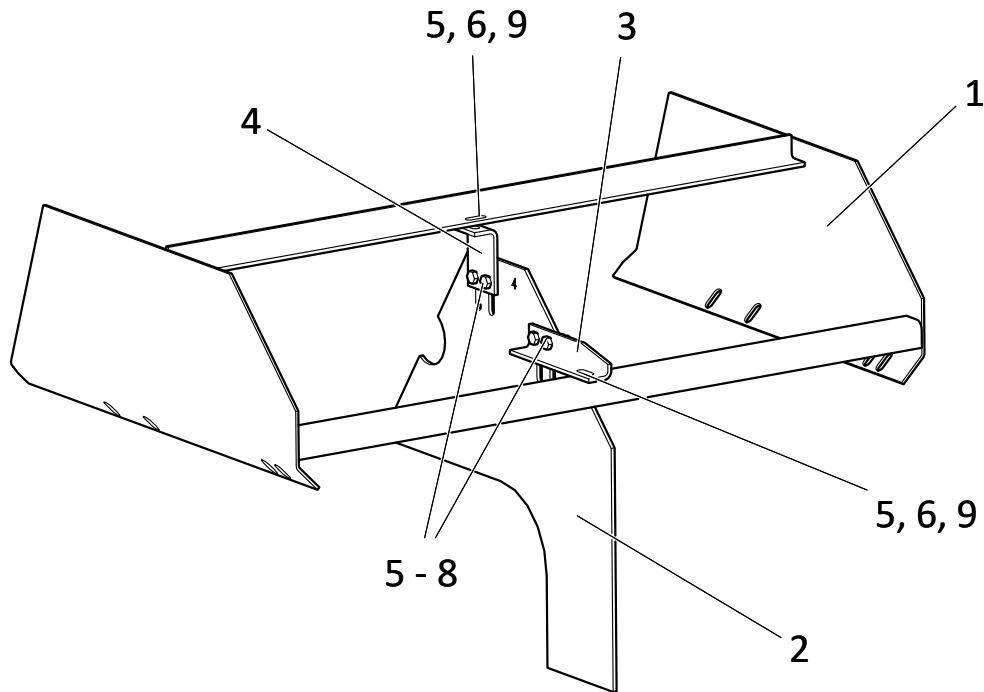


ITEM	PART NO.	DESCRIPTION	QTY
	87108	Divider – Material Assy, Includes 1-5	
1	87054	Divider – Wldmt	1
2	87064	Deflector – Rear Wldmt	1
3	20673	Nut – Wing 3/8 SS	1
4	36425	Washer – Flat 3/8 SS	1
5	36420	Washer – Lock 3/8 SS	1
6	36293	Cap Screw – 3/8-16NC x 3/4 SS	2
7	36414	Nut – Hex 3/8-16NC SS	AR

AR - As Required

Spinners

Hillside Divider

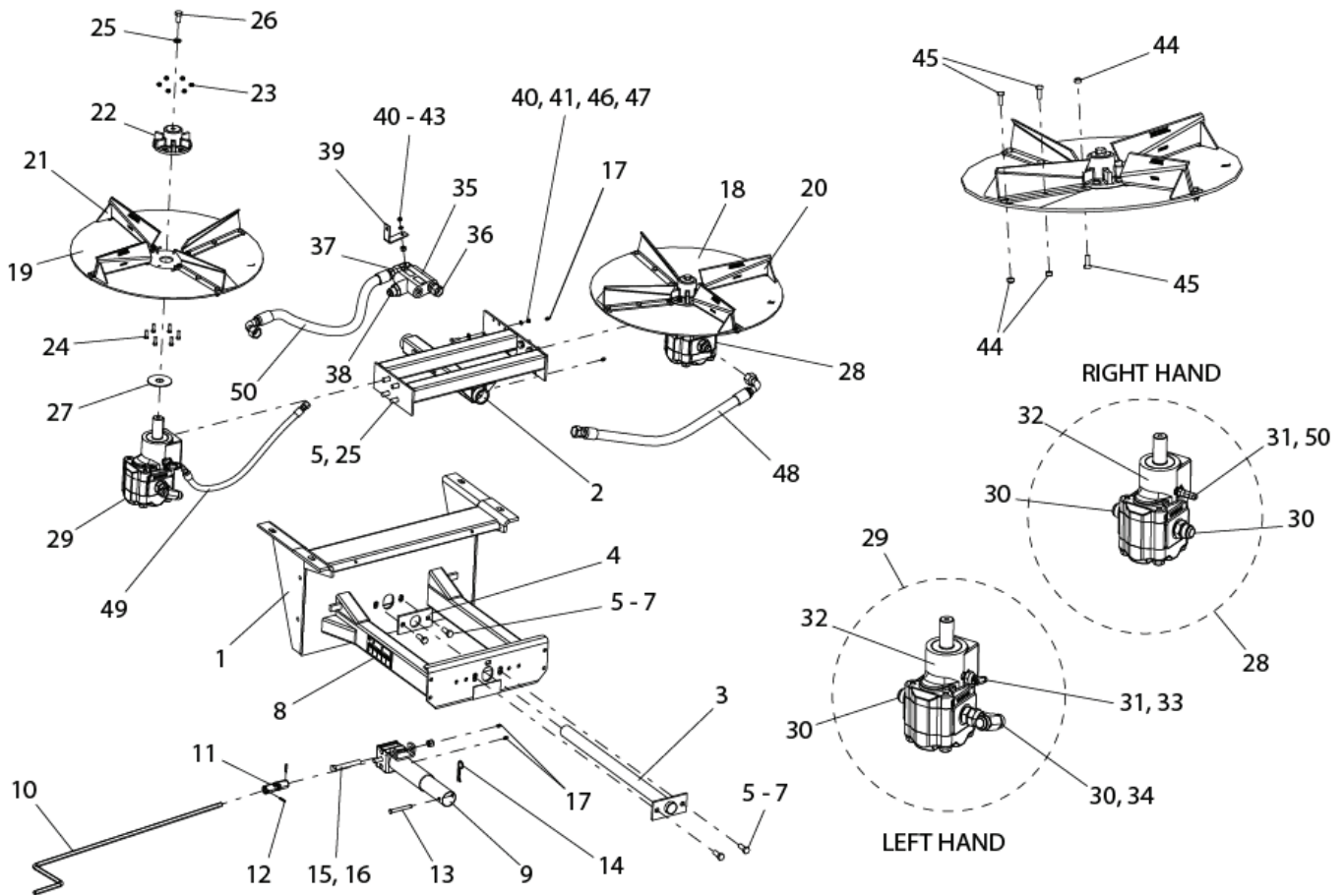


<u>ITEM</u>	<u>PART NO.</u>	<u>DESCRIPTION</u>	<u>QTY</u>
1	86788	Bracket – Wldmt Support	1
2	82288	Panel – Hillside Divider	1
3	56879	Bracket – Clamp	1
4	56880	Angle – Clamp	1
5	34580	Cap Screw – 5/16 x 1	6
6	36424	Washer – Flat 5/16	8
7	36419	Washer – Lock 5/16	4
8	36413	Nut – Hex 5/16	4
9	42221	Nut – Lock 5/16	2

Note: Use chain shield hardware to attach Item 1 to sills.

Spinners

Spinner Assembly



Click or Scan - Spinner Motor Replacement Procedure



Click or Scan - Spinner Disc Replacement Procedure



Click or Scan - Spinner Assembly Motor Mount Adjustment Procedure



Click or Scan - New Leader Spinner Disc Identification

Spinners

Spinner Assembly Cont.

ITEM	PART NO.	DESCRIPTION	QTY
	314737	24" Spinner Assy, Includes Items 1 - 50	1
	87106	Spinner Disc – LH Assy, Includes Items 19, 21 - 24	1
	87105	Spinner Disc – RH Assy, Includes Items 18, 20, 22 - 24	1
1	87090	Plate – Back Wldmt	1
2	87082	Mount – Motor Wldmt	1
3	87021	Shaft – Support Wldmt	1
4	87023	Plate – Shaft Mount	1
5	36402	Cap Screw – 1/2-13NC x 1-1/4 SS	12
6	39016	Nut – Lock 1/2-13NC SS	5
7	36426	Washer – Flat 1/2 SS	4
8	87110	Scale - Spinner Position	1
9	312975	Jack – Coated Assy	1
10	311719	Handle	1
11	85002	U-Joint	1
12	312268	Pin – Roll	2
13	6547	Pin – Clevis	1
14	36429	Pin – Hair SS	1
15	80798	Cap Screw – 1/2-13NC x 3-3/4 SS	1
16	39016	Nut - Lock 1/2-13NC SS`	1
17	6072	Zerk – Grease	2
18	27056-X4	Disc – Distributor RH	1
19	27056-X5	Disc – Distributor LH	1
20	309091	Fin - RH Wldmt	4
21	309092	Fin – LH Wldmt	4
22	10877	Hub	2
23	20676	Nut – Lock 1/4-20NC	12
24	20004	Cap Screw – 1/4-20NC x 7/8	12
25	36422	Washer – Lock 1/2 SS	10
26	36401	Cap Screw – 1/2-13NC x 1 SS	2
27	305571	Washer – Rubber	2

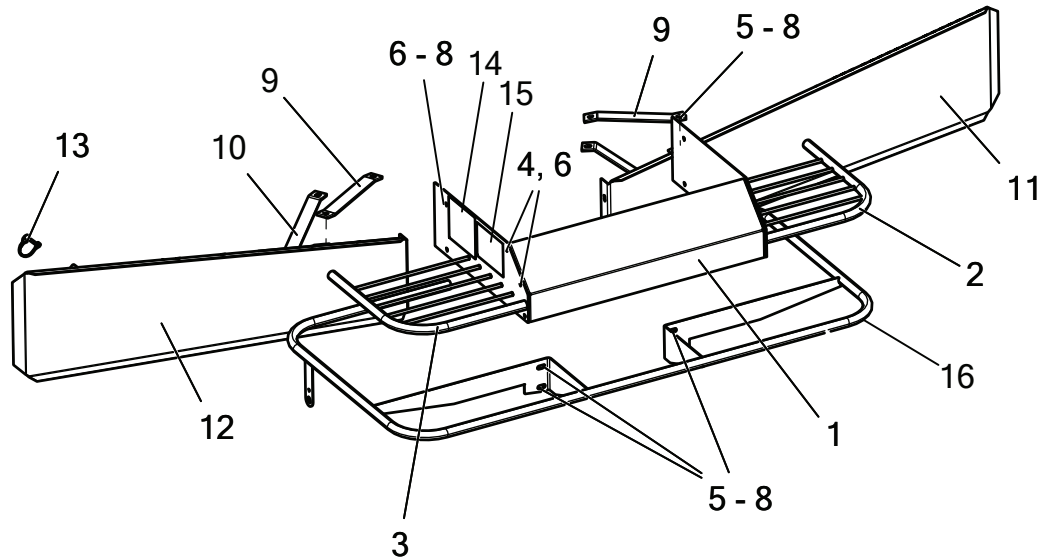
Spinners

Spinner Assembly Cont.

ITEM	PART NO.	DESCRIPTION	QTY
28	87099	Motor - RH Style II Assy, includes Items 30 - 32, 51	1
29	87098	Motor - LH Style II Assy, includes Items 30 - 34	1
30	34717	Adapter - O-Ring	4
31	34763	Adapter - O-Ring	2
32	313510	Motor - Spinner 3.19 CID (Post-2016 Units)	2
	305944	Motor-Spinner Style II (2016 & Previous units)	2
	72548	Seal Kit	AR
	305824	Seal Kit - Retainer	AR
33	29809	Fitting - 12-12-12 070433	1
34	29825	Fitting - 6-6-6 070433	1
35	71781	Valve - Flow Divider	1
36	34810	Adapter - Straight	1
37	29840	Adapter - Elbow 90°	1
38	87053	Angle - Valve Mount	1
39	36412	Nut - Hex 1/4-20NC SS	2
40	36418	Washer - Lock 1/4 SS	2
41	76825	Spacer	1
42	34865	Cap Screw - 1/4-20NC x 2-1/4 SS	1
43	20677	Nut - Lock 5/16-18NC	24
44	20034	Cap Screw - 5/16-18NC x 3/4	24
45	36423	Washer - Flat 1/4 SS	1
46	36395	Cap Screw - 1/4-20NC x 1 SS	1
47	87111	Hose - Assy SAE 16 x 26-1/2" 100R2	1
48	87112	Hose - Assy SAE 6 x 28" 100R1	1
49	98101	Hose - Assy SAE 16 x 26-1/2" 100R12	1

Spinners

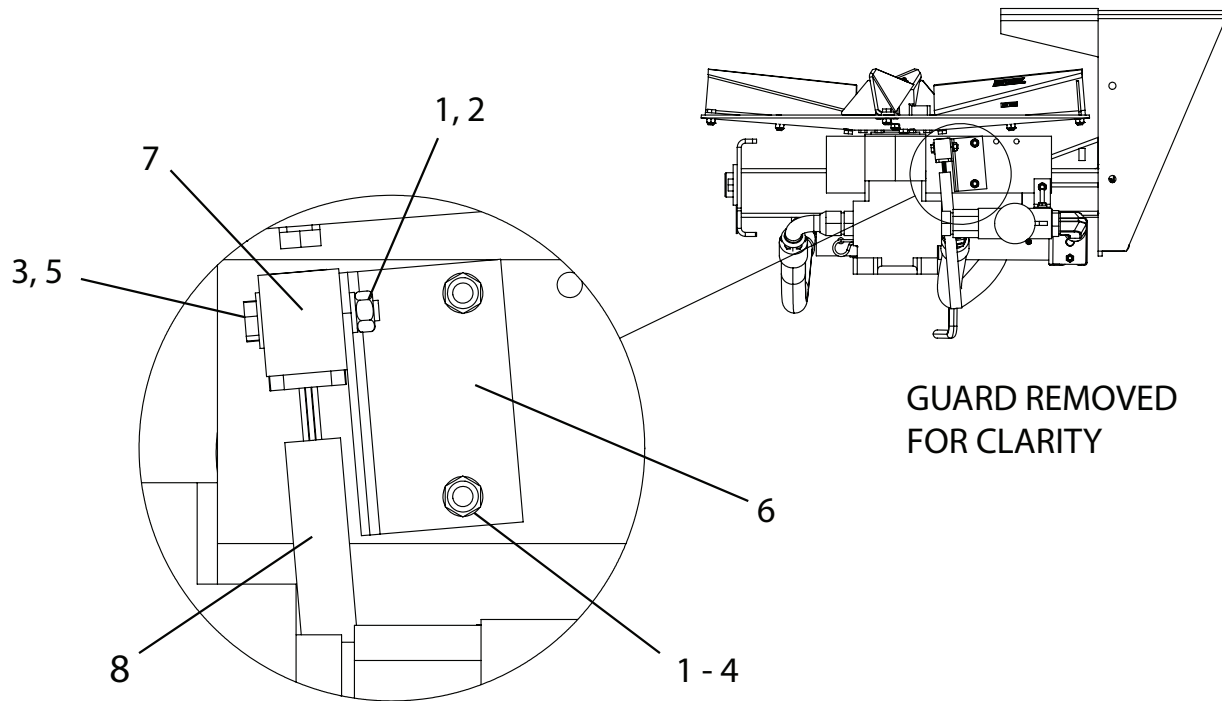
Spinner Guard & Shields

**WARNING**

Guards are intended to reduce hazard of entanglement with machinery and injury. All guards must be installed per this drawing before spreader is put into operation.

ITEM	PART NO.	DESCRIPTION	QTY
1	305712	Guard – Center Section, SMV Mount	1
2	87027-X1	Guard – RH Wldmt	1
3	87031-X1	Guard – LH Wldmt	2
4	72054	Nut – Nylon Lock 3/8-16NC SS	6
5	36425	Washer – Flat 3/8 SS	12
6	36398	Cap Screw - 3/8-16NC x 1 SS	18
7	36420	Washer – Lock 3/8 SS	12
8	36414	Nut – Hex 3/8-16NC SS	12
9	87068	Bar – Stiffener	2
10	305040	Bar – Stiffener Lower 304	2
11	305075	Deflector – RH Wldmt 126" OAW	1
12	306686	Deflector – LH Wldmt 126" OAW	1
13	85359	Pin - Snap	1
14	55630	Decal - Warning, Falling Hazard	1
15	55631	Decal - Warning, Moving Part Hazard	1
16	87032-X1	Guard - Weldment Spinner 304	1

Spinners
Spinner Sensor

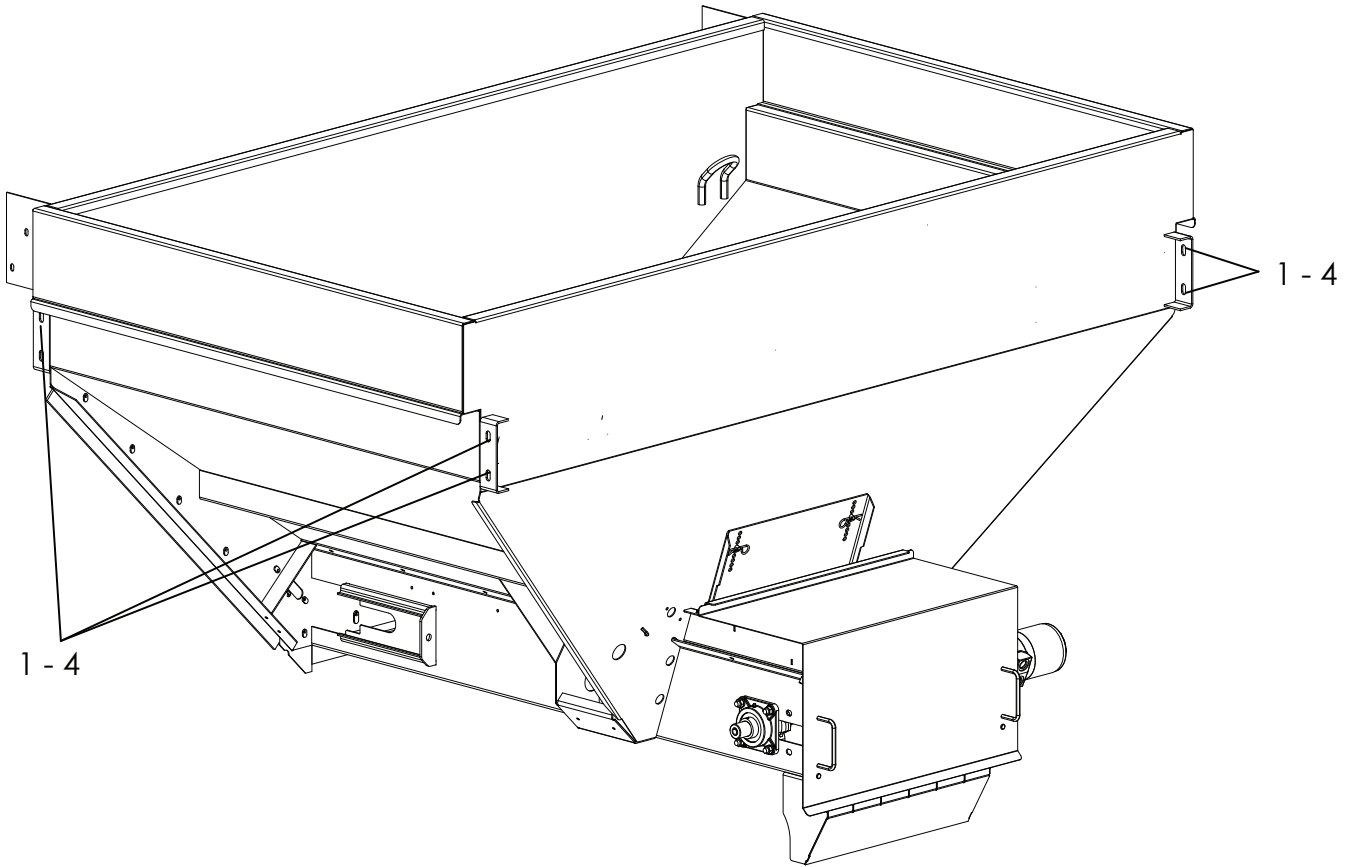


Click or Scan - Spinner Speed Sensor Test Procedure

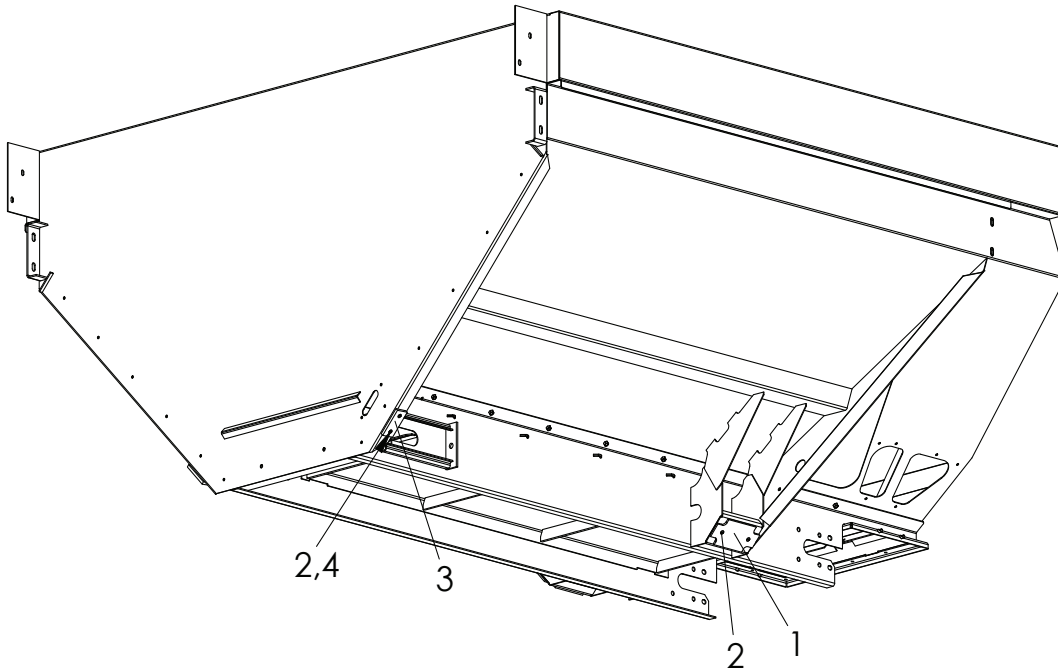


Click or Scan - Spinner Speed Sensor Installation Procedure

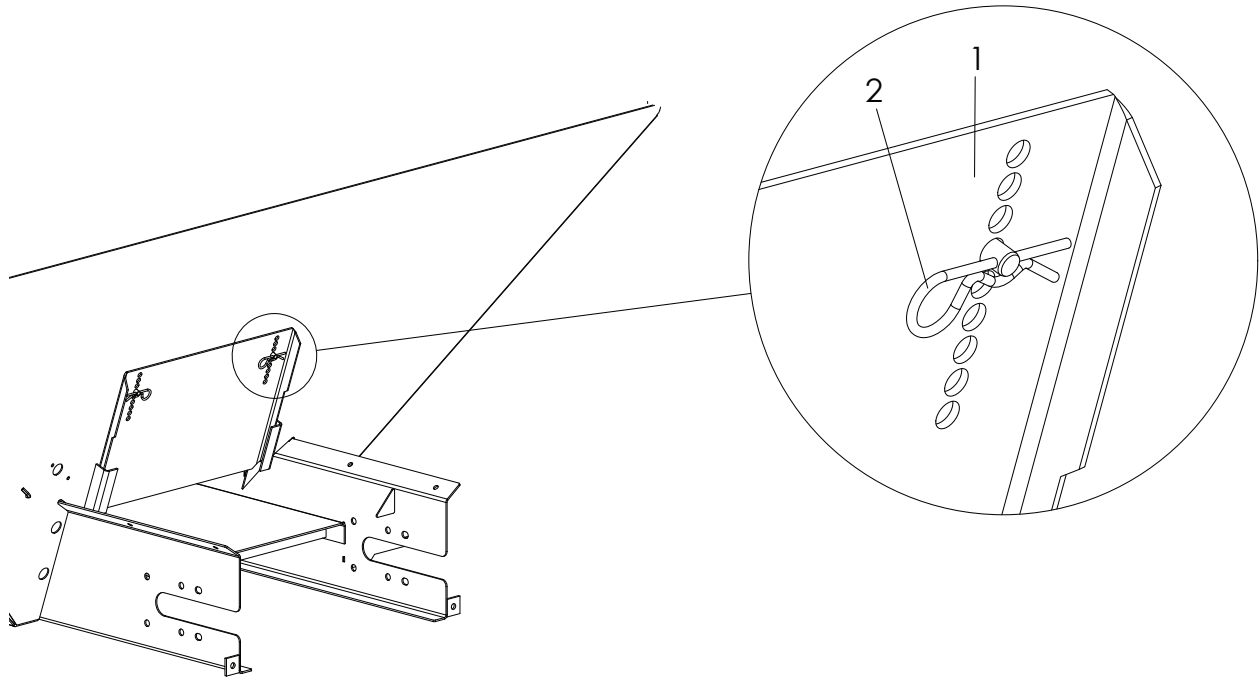
ITEM	PART NO.	DESCRIPTION	QTY
	97310	Sensor – Kit Spinner (Includes Items 1 - 8)	
1	36412	Nut – Hex 1/4 SS	6
2	36418	Washer – Lock 1/4 SS	6
3	36423	Washer – Flat 1/4 SS	3
4	36393	Cap Screw – 1/4 x 3/4 SS	2
5	42448	Cap Screw – 1/4 x 1-1/2 SS	2
6	86672	Bracket	1
7	89011	Sensor – Assy	1



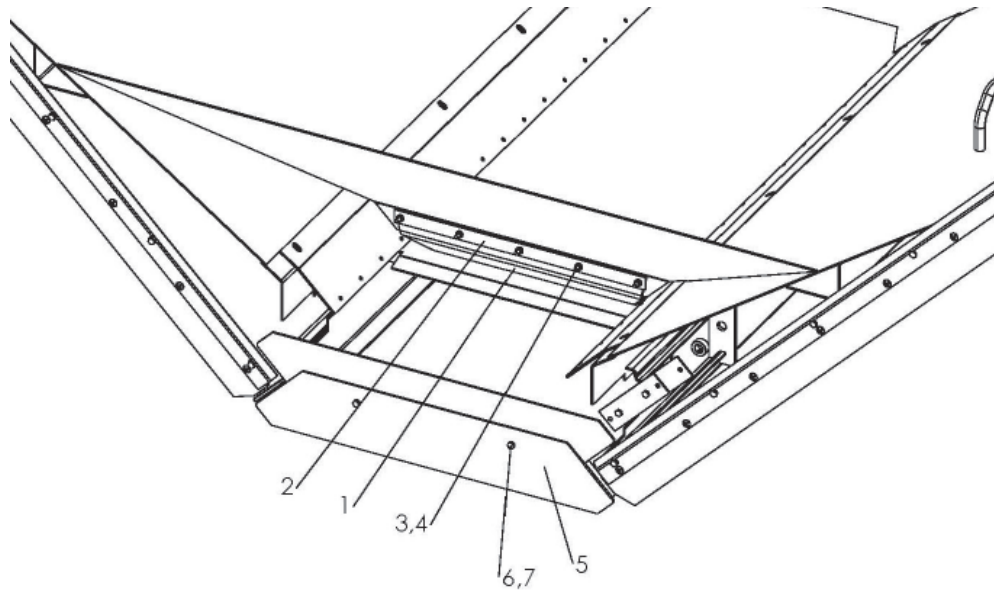
ITEM	PART NO.	DESCRIPTION	QTY
------	----------	-------------	-----



<u>ITEM</u>	<u>PART NO.</u>	<u>DESCRIPTION</u>	<u>QTY</u>
1	306924	Mount - Foot Pad	2
2	47268	Screw - Flathead 1/4-20NC x 1 SS	8
3	307097	Mount - Pad	2
4	42034	Nut - Lock 1/4-20NC SS	4



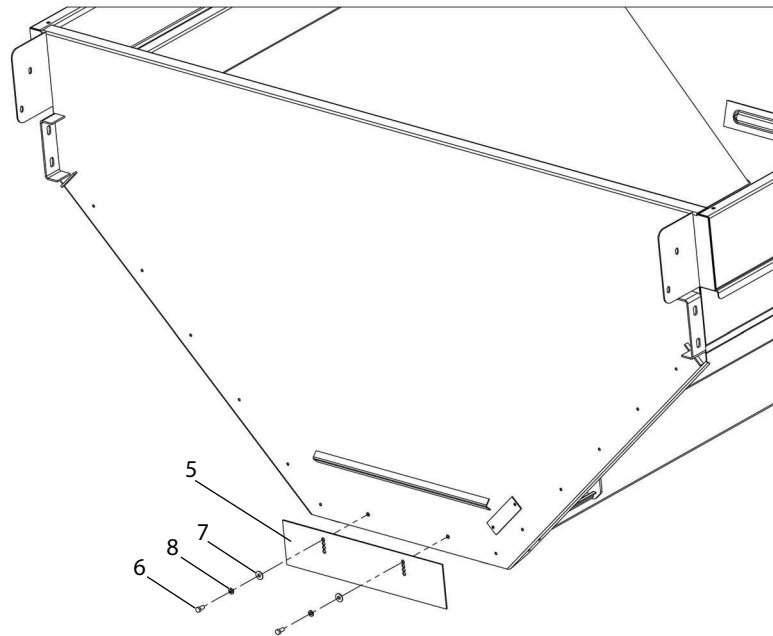
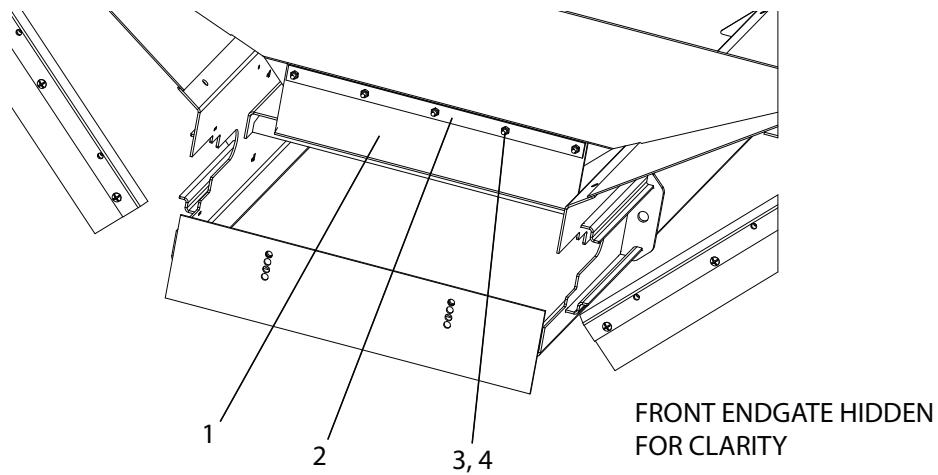
ITEM	PART NO.	DESCRIPTION	QTY



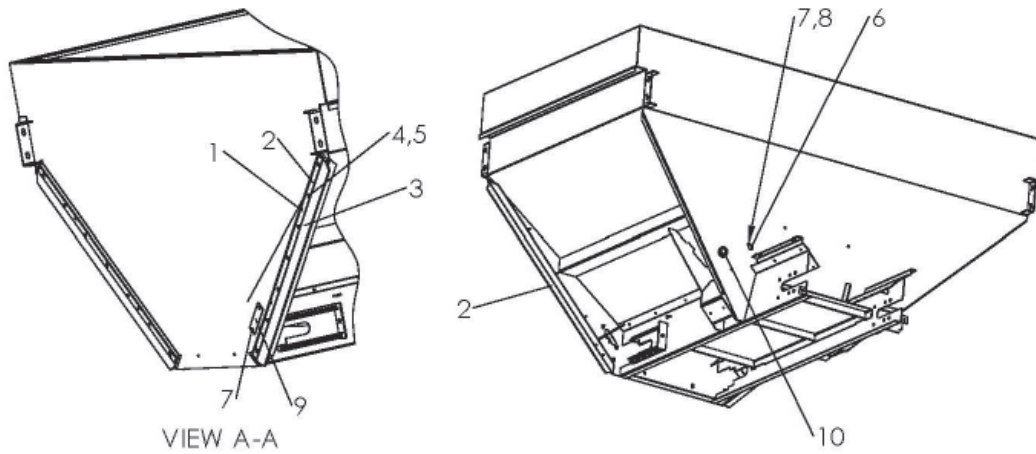
Note: Front endgate removed for clarity.

ITEM	PART NO.	DESCRIPTION	QTY
1	39426	Wiper – Belt Front	1
2	54230	Retainer – Wiper	1
3	42033	Screw - Truss Head 1/4 x 1	5
4	36412	Nut – Hex 1/4	5
5	86868	Feedgate - Panel 1.5"	1
	96984	Feedgate - Panel 2"	1
6	36398	Cap Screw - 3/8 x 1	2
7	36420	Washer - Lock 3/8	2

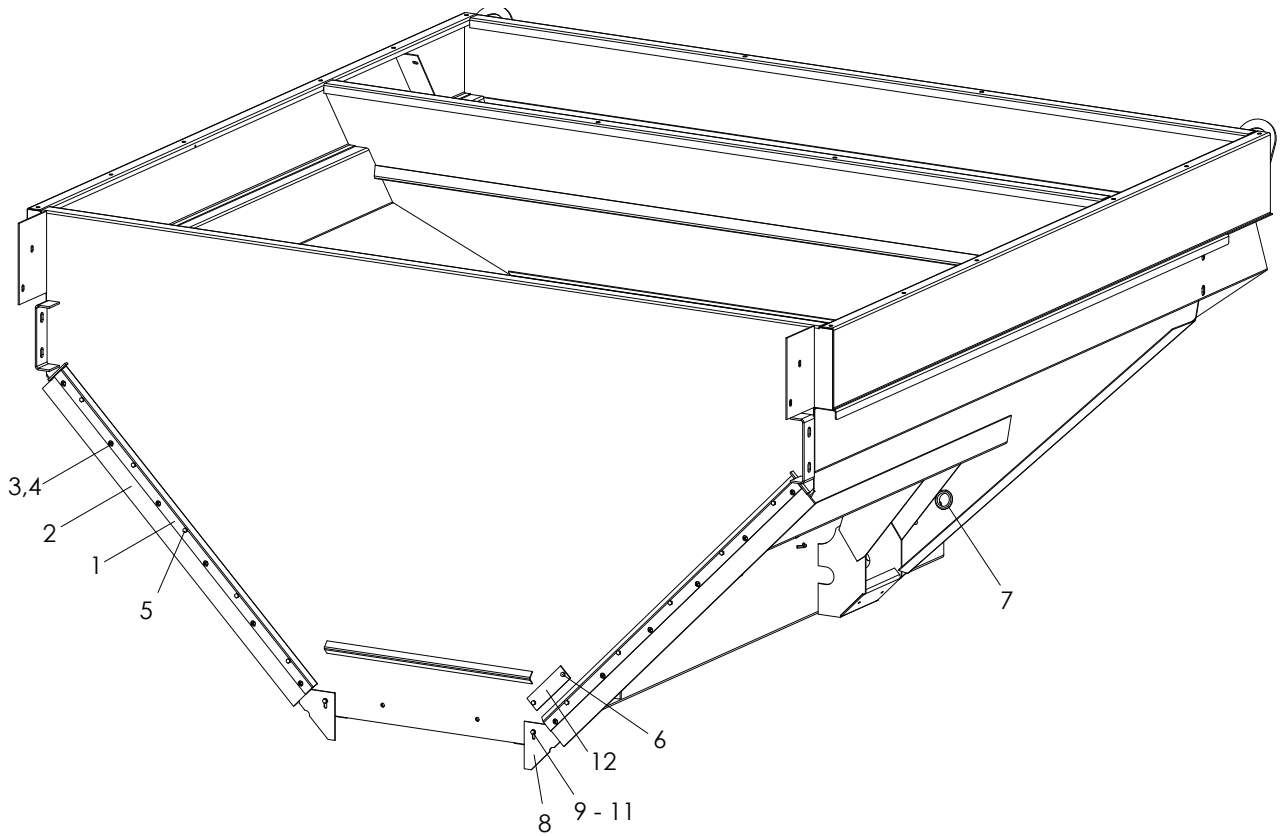
Wiper & Front Feedgate - Style II



<u>ITEM</u>	<u>PART NO.</u>	<u>DESCRIPTION</u>	<u>QTY</u>
1	39426	Wiper – Belt Front	1
2	54230	Retainer – Wiper	1
3	42033	Screw – Machine 1/4-20NC x 1	5
4	36412	Nut – Hex 1/4-20NC	5
5	306583	Feedgate - 304	1
6	36293	Cap Screw - 3/8-16NC x 3/4 SS	2
7	36425	Washer - Flat 3/8 SS	2

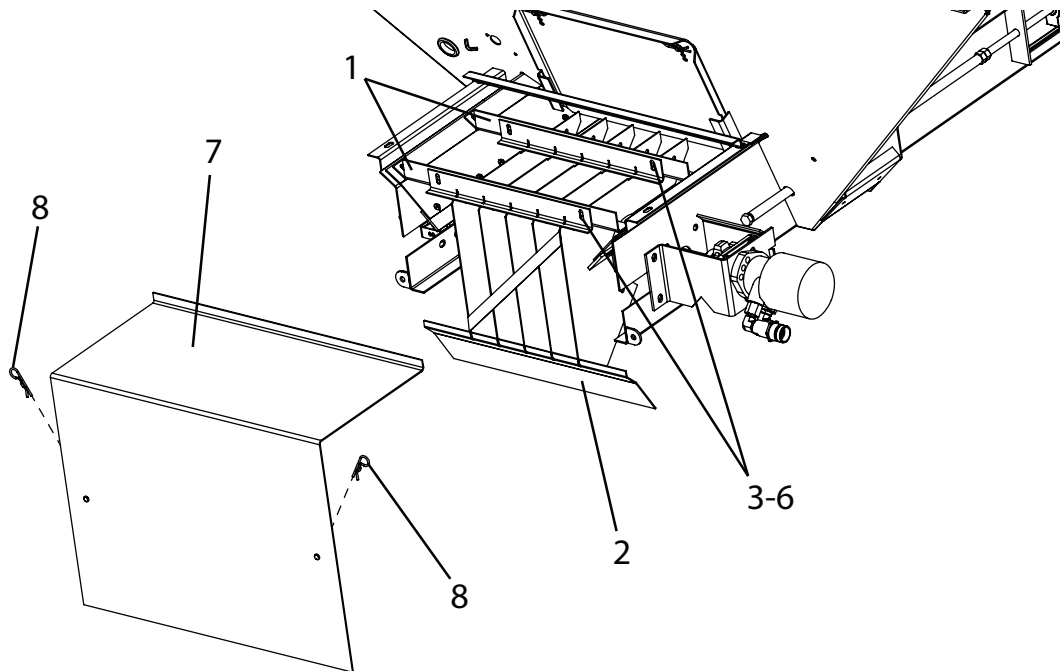


ITEM	PART NO.	DESCRIPTION	QTY
	97967	Seal - Assy, Includes 2-5	
1	36395	Cap Screw - 1/4-20NC x 1 SS	10
2	97966	Retainer - Seal 304	1
3	97968	Seal - 3 x 1/4 x 47-7/8	1
4	88931	Nut - Tee 1/4 x 1/4	14
5	56258	Screw - Truss Head 1/4-20 x 1/2 SS	14
6	305832	Plate - Bin Sensor	1
7	36393	Cap Screw - 1/4-20NC x 3/4 SS	4
8	42034	Nut - Lock 1/4-20 SS	2
9	307125	Plate - Bin Sensor 304	1
10	34129	Grommet - Rubber	1



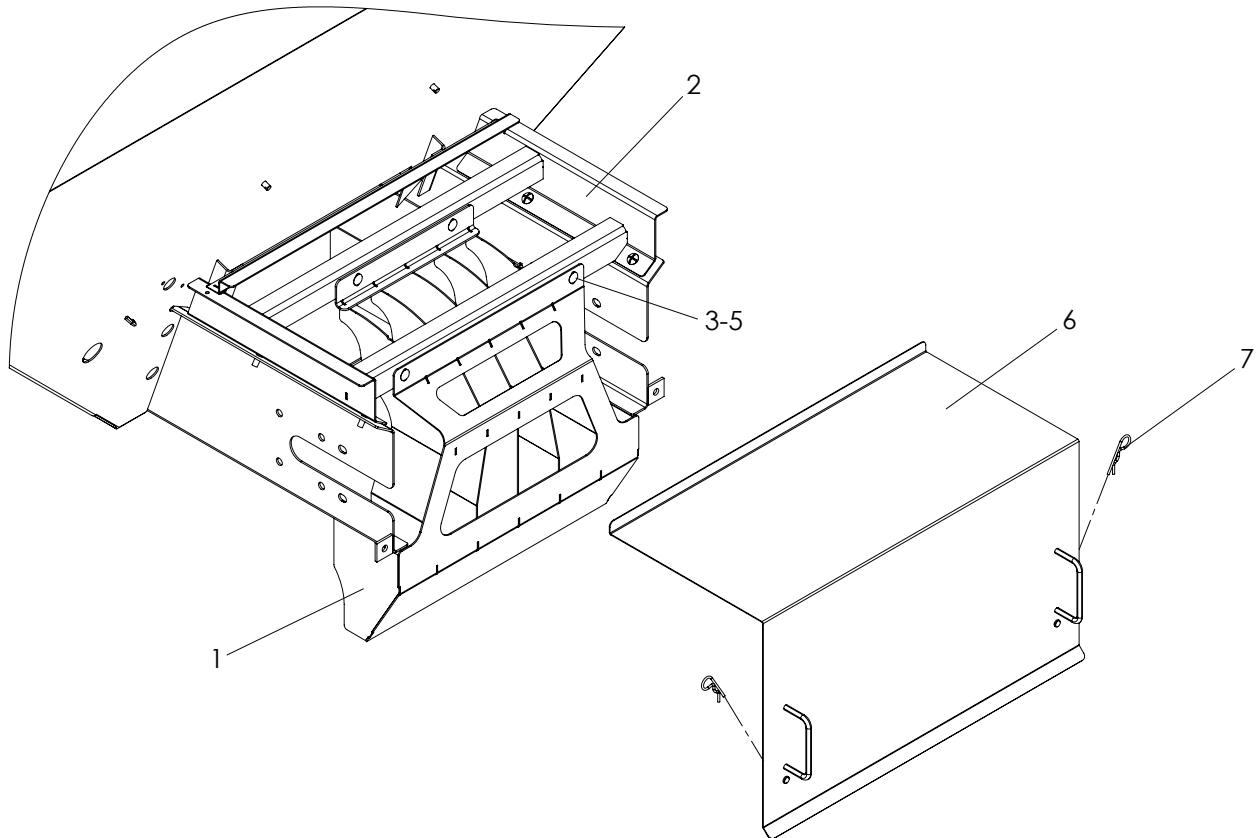
ITEM	PART NO.	DESCRIPTION	QTY
	306637	Seal - Assy, Includes 1-4	
1	306581	Retainer - Seal 304	2
2	306582	Seal - 3 x 1/4 x 45	2
3	56258	Screw - Truss Head 1/4-20NC x 1/2 SS	12
4	88931	Nut - Tee 1/4 x 1/4	12
5	36395	Cap Screw - 1/4-20NC x 1 SS	10
6	36393	Cap Screw - 1/4-20NC x 3/4 SS	2
7	34129	Grommet - Rubber	1
8	306707	Sealer - Endgate Bolt-In 304	2
9	36418	Washer - Lock 1/4 SS	2
10	40750	Cap Screw - 1/4-20NC x 1-1/4 SS	2
11	36423	Washer - Flat 1/4 SS	2
12	307125	Plate - Bin Sensor 304	1

Hillside Divider & Conveyor Cover - Style I



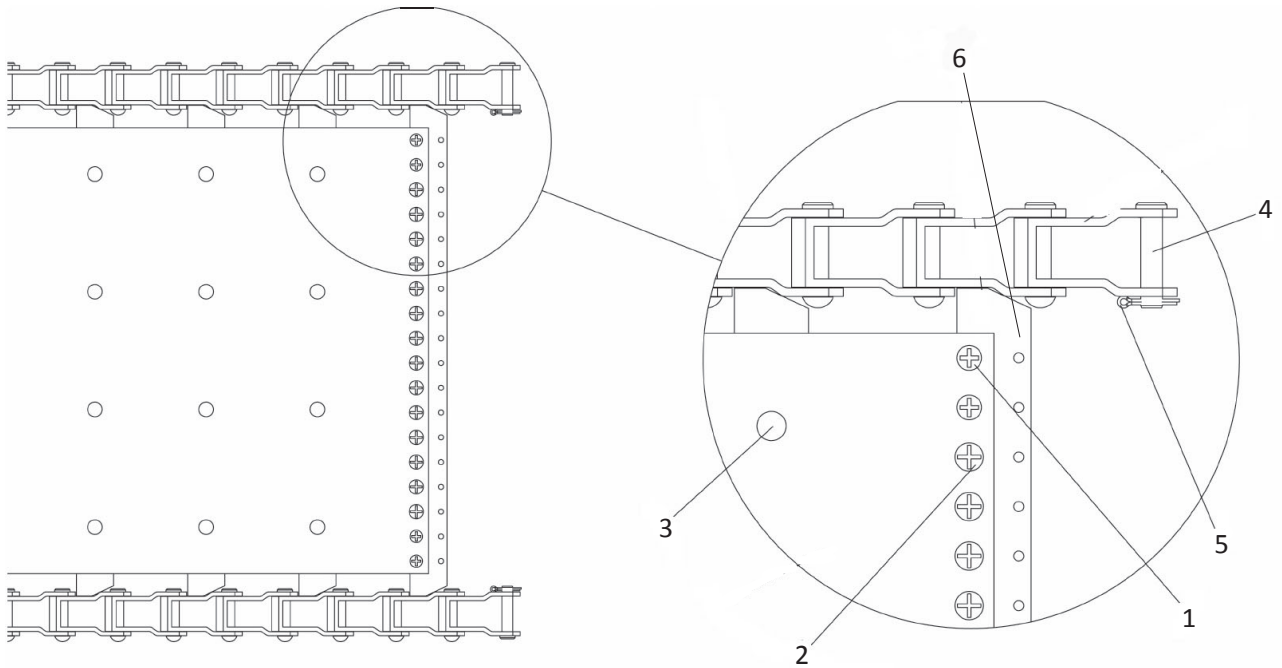
ITEM	PART NO.	DESCRIPTION	QTY
1	86825	Support - Divider	2
2	98553	Divider - Wldmt Hillside	1
3	36408	Bolt - Carriage 3/8-16 NC x 1	4
4	36425	Washer - Flat 3/8	4
5	36420	Washer - Lock 3/8	4
6	36414	Nut - Hex 3/8-16 NC	4
7	98562	Cover - Wldmt Rear 304	1
8	36429	Pin - Hair	2

Note: Use chain shield hardware to attach Item 1 to sills.

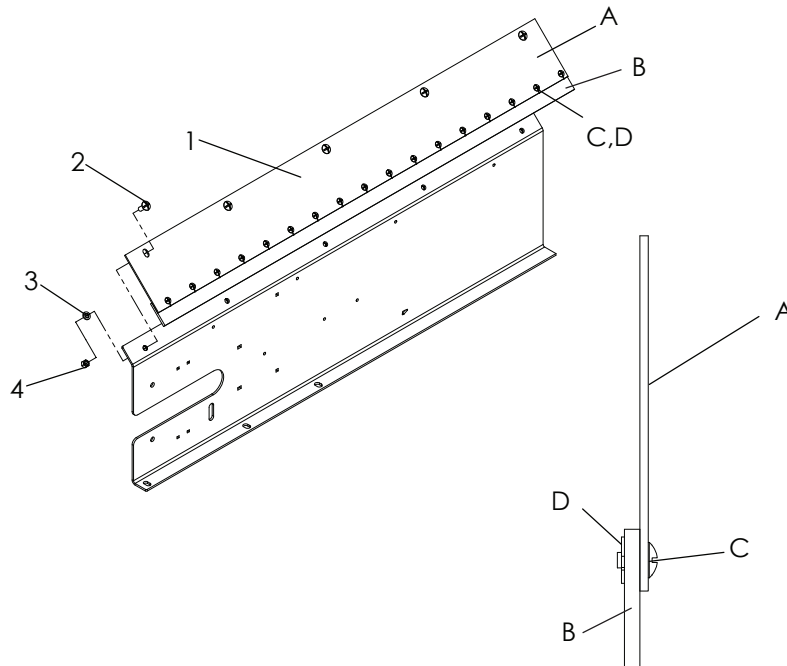


<u>ITEM</u>	<u>PART NO.</u>	<u>DESCRIPTION</u>	<u>QTY</u>
1	311428	Hillside Divider Wldmt 304	1
2	311438	Support - Hillside Divider Wldmt 304	1
3	36408	Bolt - Carriage 3/8-16NC x 1 SS	4
4	36425	Washer - Flat 3/8 SS	4
5	72054	Nut - Lock 3/8-16NC SS	4
6	311444	Cover - Wldmt Rear 304	1
7	36429	Pin - Hair	2

#4 Belt-Over-Chain (BOC) Conveyor

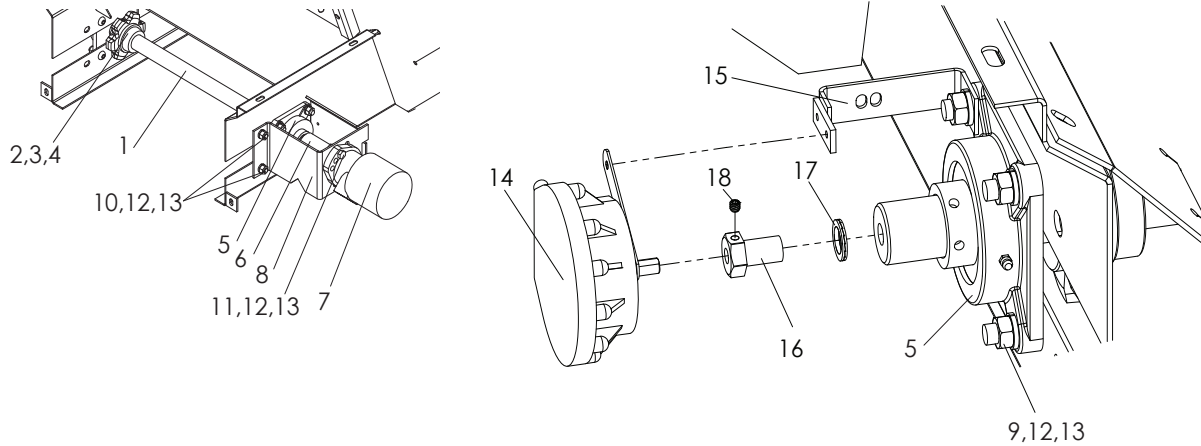


ITEM	PART NO.	DESCRIPTION	QTY
	308712-AA	Chain Wldmt - 5', Includes Items 1 - 6	1
1	20617	Screw - Flat 1/4-20NC x 1/2	8
2	20624	Screw - Truss Head 1/4-20NC x 1/2	28
3	308534	Screw - 1/4 x 1/2-20NC	104
4	21118	Pin - Chain Pintle	2
5	20817	Pin - Cotter	2
6	70473	Bar - Splicer	1

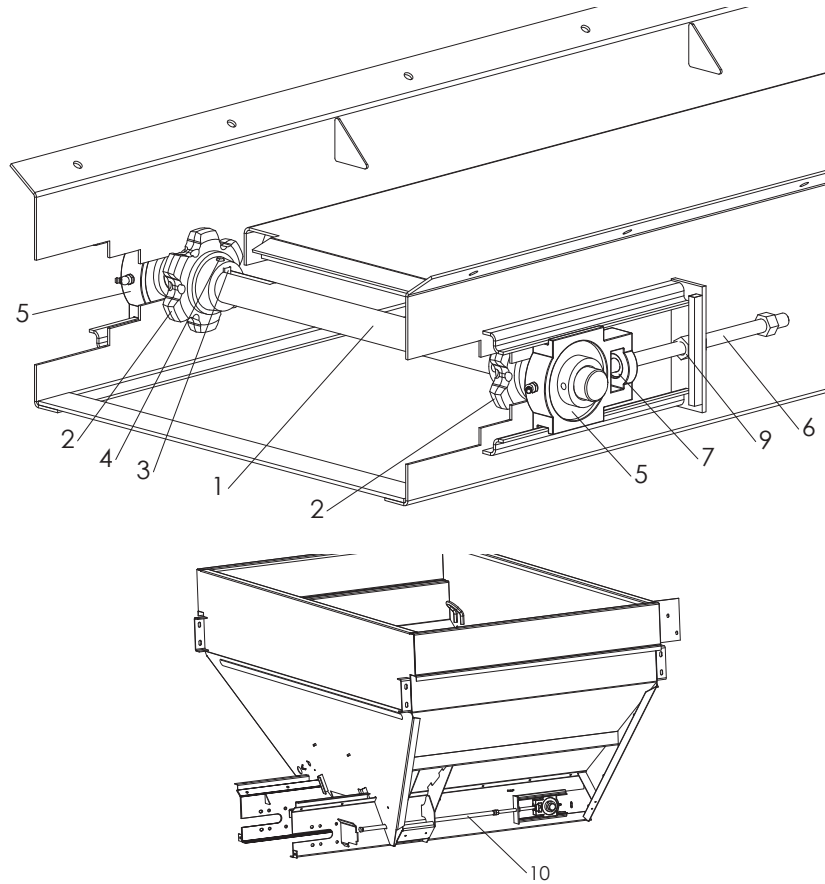


<u>ITEM</u>	<u>PART NO.</u>	<u>DESCRIPTION</u>	<u>QTY</u>
1	86876	Shield – Chain Assy - 5' Unit	2
A	86798	Shield – Chain - 5' Unit	2
B	305975	Belting – Sealer, specify length	AR
C	56258	Screw – Truss Head 1/4-20 x 1/2 - 5' Unit	46
D	88931	Nut – Tee 1/4 x 1/4 - 5' Unit	46
2	71829	Screw – Machine 3/8-16 x 1 SS - 5' Unit	14
3	36420	Washer – Lock 3/8 SS - 5' Unit	14
4	36414	Nut – Hex 3/8-16 SS - 5' Unit	14
AR – As Required			

Conveyor Drive & Encoder



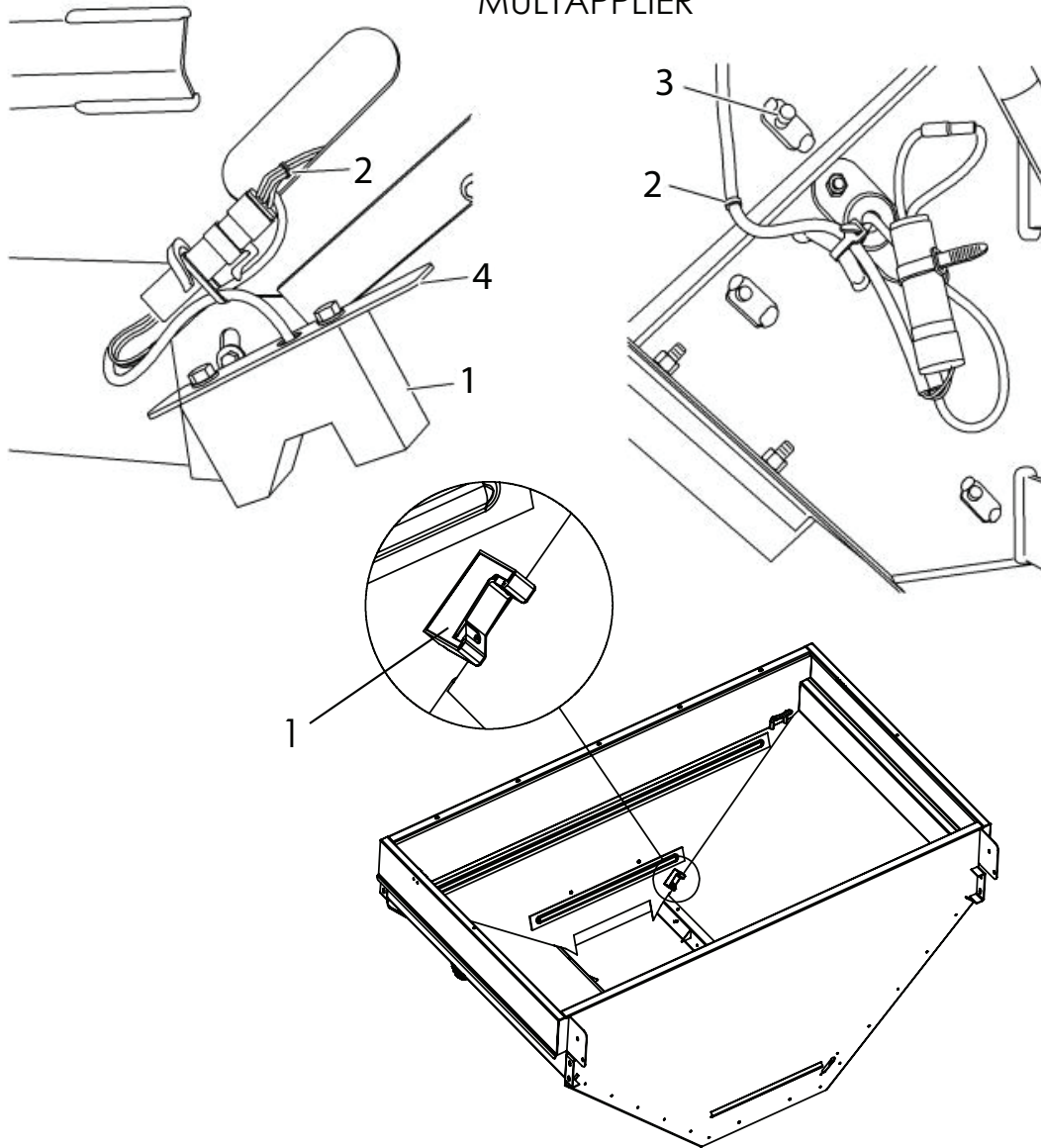
ITEM	PART NO.	DESCRIPTION	QTY
	86759-X1	Shaft - Drive Assy, Includes Items 1-5	
1	310644	Shaft - Drive	1
2	86757	Sprocket	2
3	6131	Key - Square	2
4	20743	Screw - Set	4
5	6697	Bearing	2
6	86762	Coupling - Shaft	1
	* 4059	Key - Square 5/16 x 1-1/2	1
7	311056	Motor - Hydraulic 17.1 CID	1
	*56327	Seal Kit	
8	86766	Mount - Motor	1
9	304484	Screw - Button Head 1/2-13NC x 1-1/2 SS	8
10	72056	Bolt - Carriage 1/2-13NC x 1 SS	2
11	36539	Cap Screw - 1/2-13NC x 1-1/2 SS	2
12	36422	Washer - Lock 1/2 SS	12
13	36416	Nut - Hex 1/2 SS	12
14	303994	Encoder - Conveyor 180	1
15	304953-X1	Bracket - Encoder	1
16	310601	Coupler - Rate Sensor	1



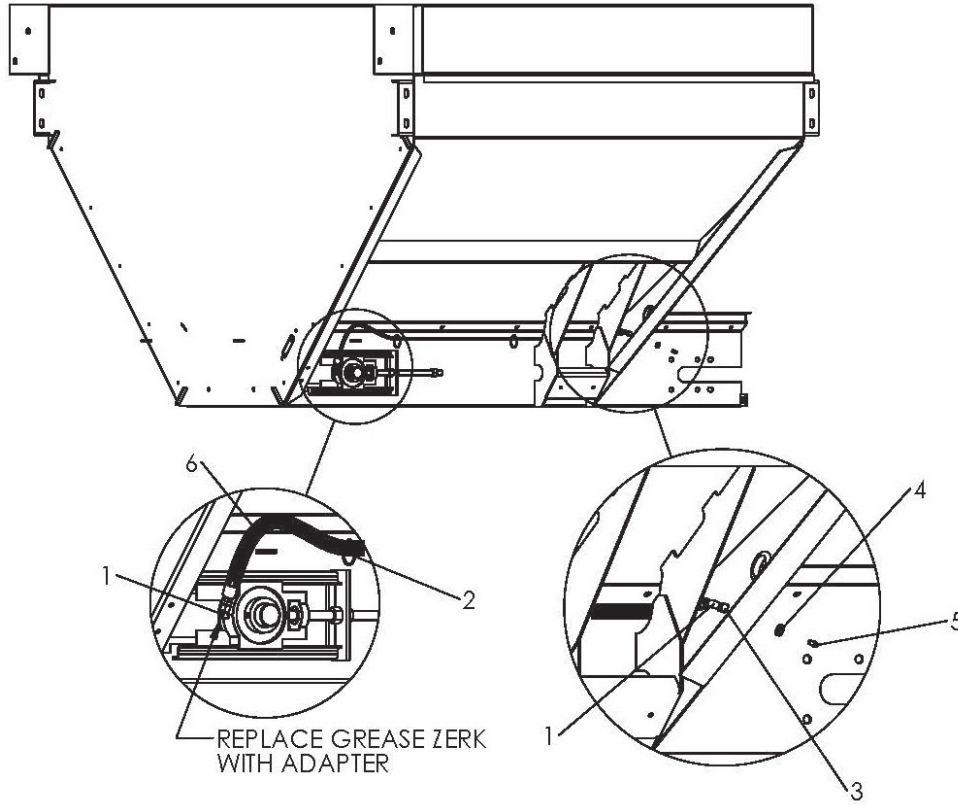
ITEM	PART NO.	DESCRIPTION	QTY
	89780	Shaft - Idler Assy, Includes 1-5	
1	89779	Shaft - Idler	1
2	86757	Sprocket	2
3	6131	Key - Square	2
4	20743	Screw - Set 5/16-18NC x 3/8	4
5	22511	Bearing	2
6	87857	Bolt Wldmt	2
7	17078	Collar - Set	2
8	* 36417	Nut - Hex 5/8 SS	2
9	87856	Nut Wldmt 304	2
10	306974	Extended Idler - Pipe Wldmt Adj 5' 304	2

* - Not Shown

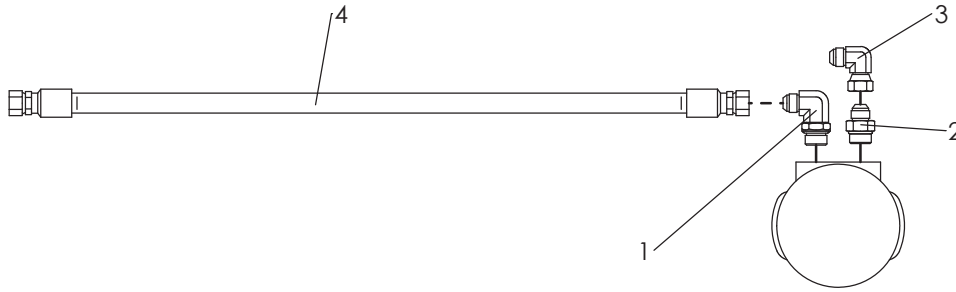
MULTAPPLIER



ITEM	PART NO.	DESCRIPTION	QTY
1	98787-AB	Bin Level Sensor	1
2	307130	Cable - Jumper 102"	1
3	36393	Cap Screw - 1/4-20NC x 3/4 SS	2
4	307124	Mount - Sensor 304	1



ITEM	PART NO.	DESCRIPTION	QTY



<u>ITEM</u>	<u>PART NO.</u>	<u>DESCRIPTION</u>	<u>QTY</u>
1	306741	Fitting - 8-10 070220S	1
2	306740	Fitting - 8-10 070120S	1
3	306742	Fitting - 8-8 070221S	1
4	306691	Hose - Assy SAE 8 100R1 x 30	1

This page is intentionally left blank.