

NEW LEADER

MODEL JOHN DEERE 4900 SERIES L3030G4 / MULTAPPLIER Parts List

UNIT SERIAL NO. _____

MULTAPPLIER SERIAL NO. _____

MANUAL NUMBER: 305250-AB-H-02

EFFECTIVE 05/2017



Highway Equipment Company

Building the best since 1939.

1330 76TH AVE SW

CEDAR RAPIDS, IA 52404-7052

PHONE (319) 363-8281 | FAX (319) 286-3350

www.highwayequipment.com

For Additional information, please visit (Online users direct click links):

Service Videos: http://www.highwayequipment.com/customer_support/service-videos/

Warranty Registration and Claims Request: <http://www.highwayequipment.com/dealer-portal/unit>
(Dealer Use Only)

Copyright 2009 Highway Equipment Company, Inc.

TABLE OF CONTENTS

Table of Contents.....	2
Interactive Features.....	4
Instructions for Ordering Parts.....	5
Body.....	7
Inverted "V".....	7
Sight Window - NL300.....	8
Bin Sensors.....	9
Light Kits.....	10
Beacon.....	11
Body Hydraulics.....	12
Multiplier Ready Hydraulics.....	12
Multiplier Complete Hydraulics.....	14
Conveyor.....	16
#5 Straight Belt Conveyor.....	16
#5 Straight Belt Shields.....	17
#5 Straight Belt Conveyor Drive.....	18
#5 Straight Belt Conveyor Idler.....	19
Gearcase Assembly.....	20
Gearcase - Single Pinion.....	21
Gearcase Breather Tube.....	22
Encoder.....	23
Wiper Front.....	24
Conveyor Pan 304.....	25
Brush Kit - #5 Straight Belt.....	26
#5 Straight Belt Drive & Snubber Guard.....	28
Guard - Front Cover.....	29
Feedgate.....	30
Endgate, Feedgate & Jack.....	30
Spinners.....	32
Material Divider.....	32
Hillside Divider.....	33
Spinner Assembly.....	34
Spinner Sensor.....	37
Spinner Guards & Deflectors.....	38
Decals.....	40
Decor Painted Body.....	40
Decor Non-Painted Body.....	41
Decals - Safety.....	42



TABLE OF CONTENTS CONTINUED

MultApplier..... 44

 Mounting Hardware..... 44

 MULTAPPLIER Rear Feedgate..... 45

 MULTAPPLIER Wiper & Front Feedgate - Style I..... 46

 MULTAPPLIER Wiper & Front Feedgate - Style II..... 47

 MULTAPPLIER Sealers - Style I..... 48

 MULTAPPLIER Sealers - Style II..... 49

 MULTAPPLIER Hillside Divider & Conveyor Cover - Style I..... 50

 MULTAPPLIER Hillside Divider & Conveyor Cover - Style II..... 51

 MULTAPPLIER #4 Belt-over-chain..... 52

 MULTAPPLIER Chain Shields..... 53

 MULTAPPLIER Conveyor Drive & encoder..... 54

 MULTAPPLIER Conveyor Idler..... 55

 MULTAPPLIER Mounts..... 56

 MULTAPPLIER idler Grease zerks..... 57

 MULTAPPLIER Hydraulics..... 58

 MULTAPPLIER Divider Cap..... 59

NOTE:

This manual incorporates several interactive features to provide supplemental information and ease of navigation. The information below is to aid in the identification and use of these features.

Hyperlinks

Hyperlinks provide direct access to a specific destination when clicked. The entire Table of Contents of this manual is hyperlinked to provide quick access to all sections of this manual when viewing the electronic version.

Hyperlinks within the content are denoted by **[blue, bold underlined text](#)**. Electronic format viewers can click these links for direct access to New Leader online features. Internet access is required.

Quick Reference (QR) Codes

Quick reference codes provide direct access to a specific destination when activated. An example is provided below. In the printed version of this manual, viewers may scan the codes with a supporting mobile device for direct access to New Leader online features. Mobile data is required.

The electronic version of this manual provides the option to scan codes on-screen, or to click the code like a button. Internet access/mobile data is required.



Click or Scan - Highwayequipment.com



Order from the **AUTHORIZED DEALER** in your area.

Always give the pertinent model and serial number.

Give part name, part number and the quantity required.

Give the correct address to where the parts are to be shipped, and the carrier if there is a preference.

Unless claims for shortages or errors are made immediately upon receipt of goods they will not be considered. Any part returns should be directed through the dealer from which they were purchased.

When broken goods are received, a full description of the damage should be made by the carrier agent on the freight bill. If this description is insisted upon, full damage can always be collected from the transportation company.

No responsibility is assumed for delay or damage to merchandise while in transit. Our responsibility ceases upon delivery of shipment to the transportation company from whom a receipt is received showing that shipment was in good condition when delivered to them, therefore, claims (if any) should be filed with the transportation company and not with Highway Equipment Company.

If your claims are not being handled (by the transportation company) to your satisfaction, please call our Product Sales & Support Department at Highway Equipment Company at 888-363-8006 for assistance.

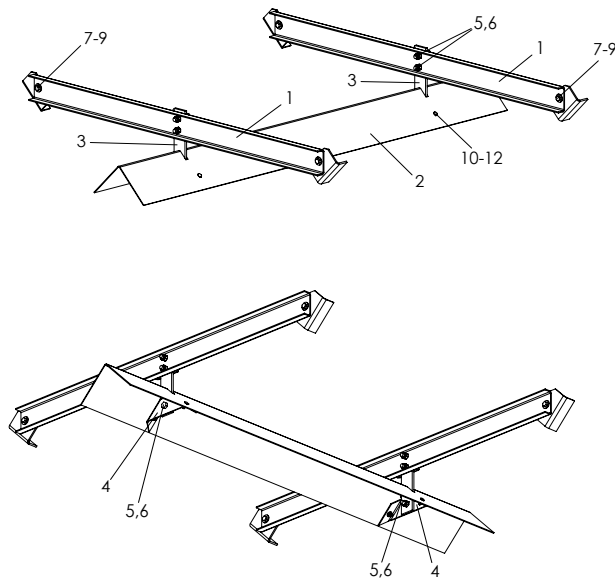
In the parts list the following symbols and abbreviations stand for:

- * - Not Shown
- AR – As Required
- CS – Carbon Steel
- SS – Stainless Steel
- NS – Not Serviced

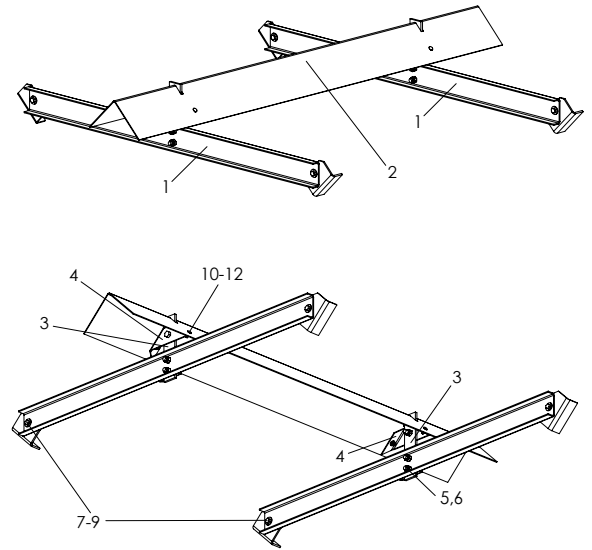
The parts listed under the different steel types (CS, 409 SS and 304 SS) are for that type of unit and do not necessarily mean the part is made of that type of steel.



This page is intentionally left blank.



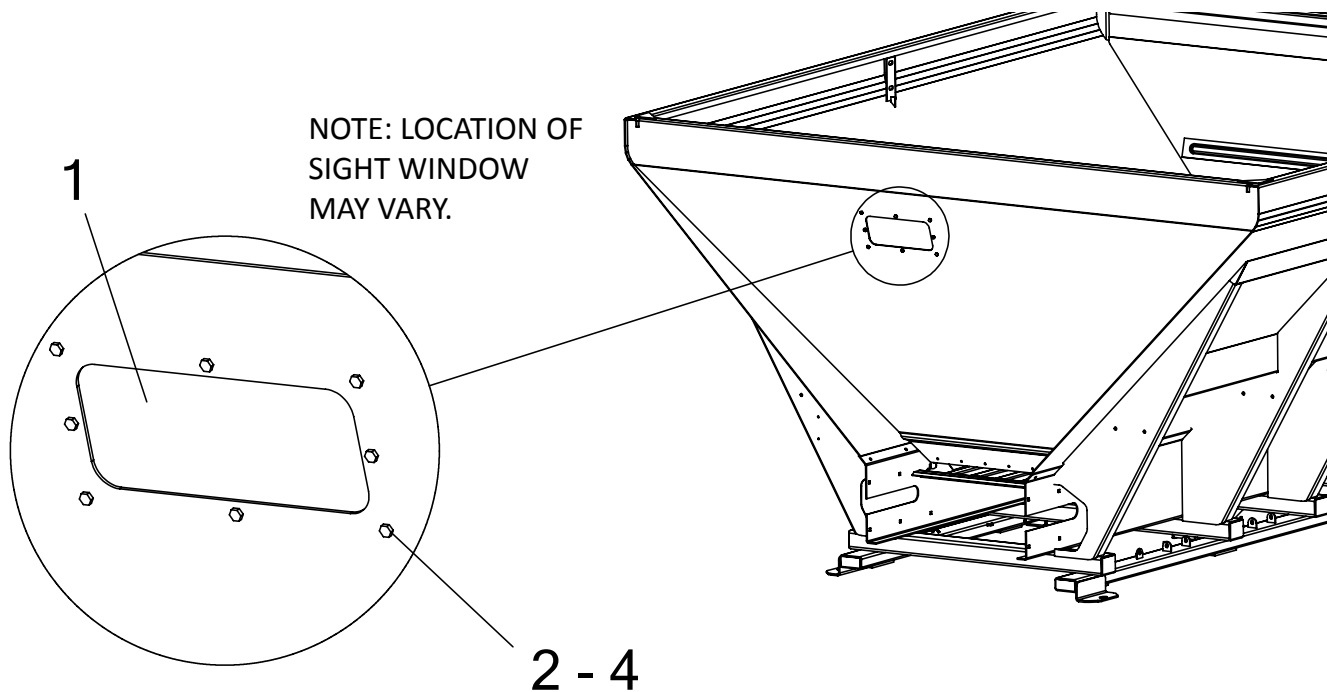
STANDARD (LOWER) ASSY



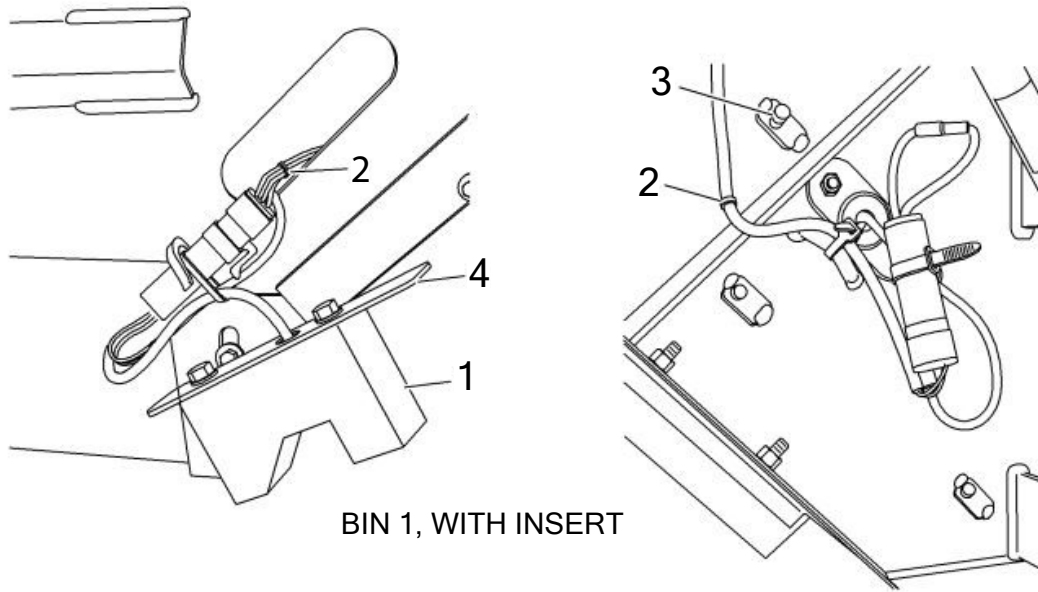
HIGH YIELD ASSY

ITEM	PART NO.	DESCRIPTION	QTY
1	81262	Hanger – V Wldmt 409 SS	3
	81263	Hanger – V Wldmt 304 SS	
2	82618	Inverted V - 7' (11' Units) 409 SS	1
	82622	Inverted V - 7' (11' Units) 304 SS	
3	308646	Bar – Adjusting	3
4	302371	Bracket – V Bolt-on	3
5	58800	Cap Screw – 5/8-11NC x 1-3/4 SS	9
6	41762	Nut - Lock 5/8-11NC SS	9
7	36402	Cap Screw - 1/2-13NC x 1-1/4 SS	6
8	36426	Washer - Flat 1/2 SS	6
9	39016	Nut - Lock 1/2-13NC SS	6
10	42639	Bolt - Carriage 5/16-18NC x 1 SS	6
11	36424	Washer - Flat 5/16 SS	6
12	42221	Nut - Lock 5/16-18NC SS	6

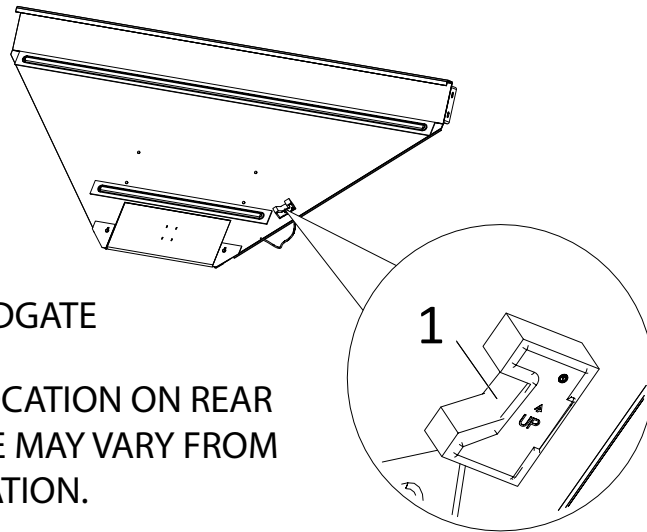
SIGHT WINDOW - NL300



<u>ITEM</u>	<u>PART NO.</u>	<u>DESCRIPTION</u>	<u>QTY</u>
1	302686	Window - Sight 5" x 12"	1
2	36395	Cap Screw - 1/4-20NC x 1 SS	8
3	36423	Washer - Flat 1/4 SS	8
4	42034	Nut - Lock 1/4-20NC SS	8



BIN 1, WITH INSERT



REAR ENDGATE

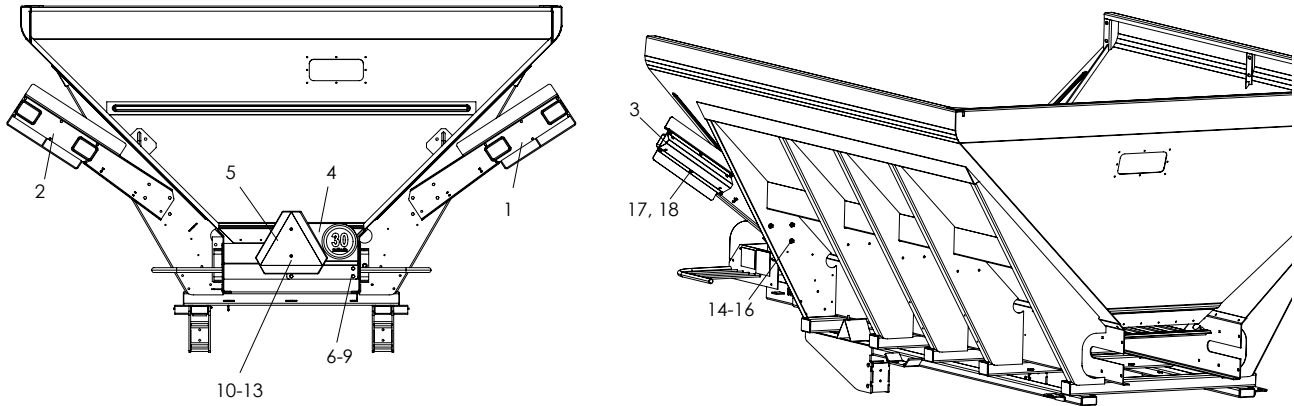
NOTE: LOCATION ON REAR ENDGATE MAY VARY FROM ILLUSTRATION.

<u>ITEM</u>	<u>PART NO.</u>	<u>DESCRIPTION</u>	<u>QTY</u>
1	98787-AB	Sensor - Bin Level w/ 18" Lead	AR
2	307130	Cable - Jumper 102"	AR
3	36393	Cap Screw - 1/4-20NC x 3/4 SS	AR
4	307124	Mount - Sensor 304	AR
5	*98787-AD	Cable - 27" Bin Sensor	AR

* - Not Shown



LIGHT KITS

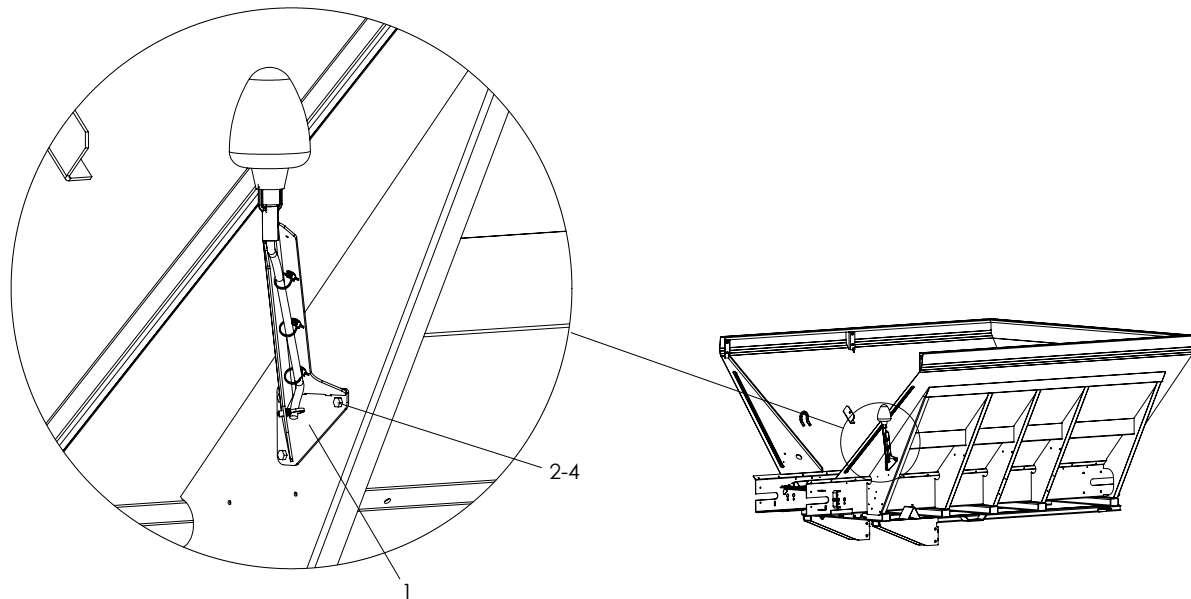


<u>ITEM</u>	<u>PART NO.</u>	<u>DESCRIPTION</u>	<u>QTY</u>
1	306802-AB	Bracket – Tail Light RH 304	1
2	306802-AA	Bracket – Tail Light LH 304	1
3	308882	Shield - Light 304	2
4	305711	Plate - SMV Mounting	1
5	305229	Sign - SMV	1
6	42639	Bolt - Carriage 5/16-18NC x 1 SS	4
7	36424	Washer - Flat 5/16 SS	4
8	36419	Washer - Lock 5/16 SS	4
9	36413	Nut - Hex 5/16-18NC SS	4
10	32446	Screw - Truss Head 1/4-20NC x 3/4 SS	2
11	36423	Washer - Flat 1/4 SS	2
12	36418	Washer - Lock 1/4 SS	2
13	36412	Nut - Hex 1/4-20NC SS	2
14	36398	Cap Screw - 3/8-16NC x 1 SS	6
15	36425	Washer - Flat 3/8 SS	6
16	72054	Nut - Lock 3/8-16NC SS	6
17	36394	Cap Screw - 1/4-20NC x 7/8 SS	12
18	42034	Nut - Lock 1/4-20NC SS	12
19	*309724	Bundle - Lighting NA	1

* - Not Shown

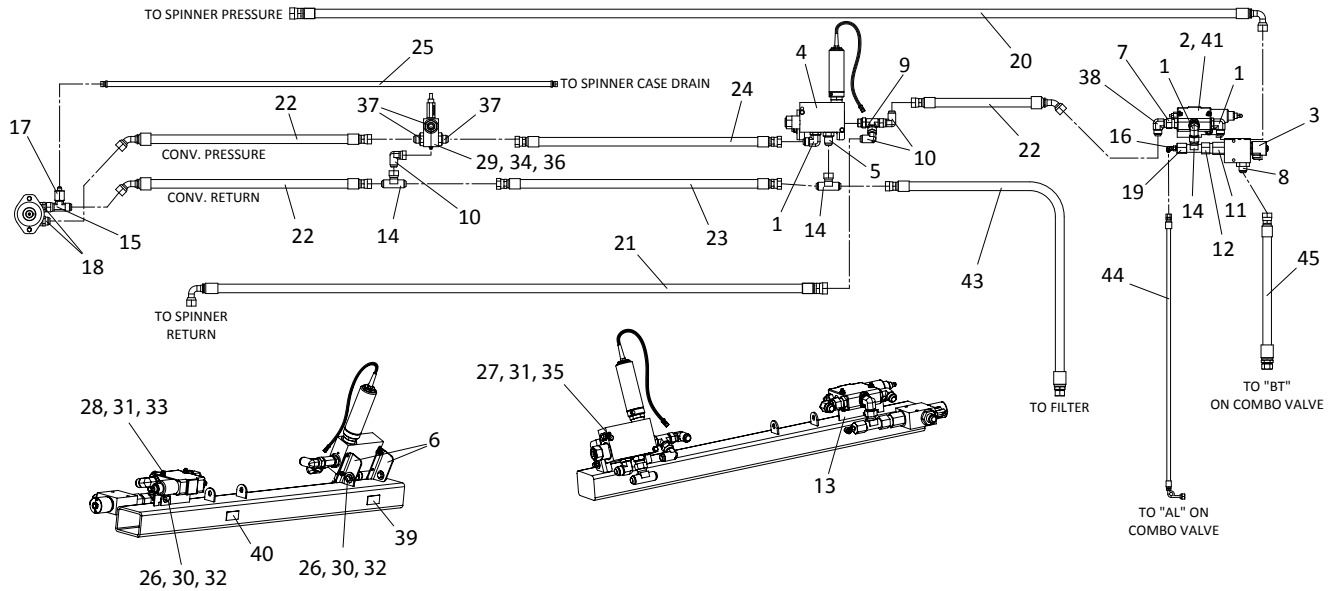
PARTS LIST





<u>ITEM</u>	<u>PART NO.</u>	<u>DESCRIPTION</u>	<u>QTY</u>
1	308891	Support - Wldmt Beacon 304	1
2	36398	Cap Screw - 3/8-16NC x 1SS	3
3	36425	Washer - Flat 3/8 SS	3
4	72054	Nut - Lock 3/8-16NC SS	3
5	*309908	Beacon Bundle - includes wiring harness & beacon light	1

*not shown



ITEM	PART NO.	DESCRIPTION	QTY
1	29847	Fitting - 12-12 070220	3
2	32485-X1	Valve - Assy Control PWM	1
	56289	Coil - Solenoid	1
	56290	Cartridge - Solenoid	1
	303922	Cable - Assy	1
	56367	Spool - Compensating Orifice	1
3	310599	Valve - Solenoid Operated Poppet, 2-Way NC	1
	302105-AA	Cartridge - 2-Way NC	1
	302105-AB	Coil - Assy	1
	302105-AC	Seal - Kit Service	1
4	306278	Valve - Assy Control 25 GPM SFP	1
	306279	Valve - Servo Flow Control 25 GPM	1
5	303226	Fitting - 12-12 Special	1
6	302582	Bracket - Mount Valve	2
7	29788	Adapter	1
8	29835	Adapter	1
9	29791	Fitting - 12-12-12 070428	1
10	34709	Adapter - Elbow 90 Deg	3
11	34810	Adapter - Connector	1
12	34712	Adapter - Bushing	1
13	302583	Angle - Mount Valve	1
14	29809	Adapter - Tee Branch	3

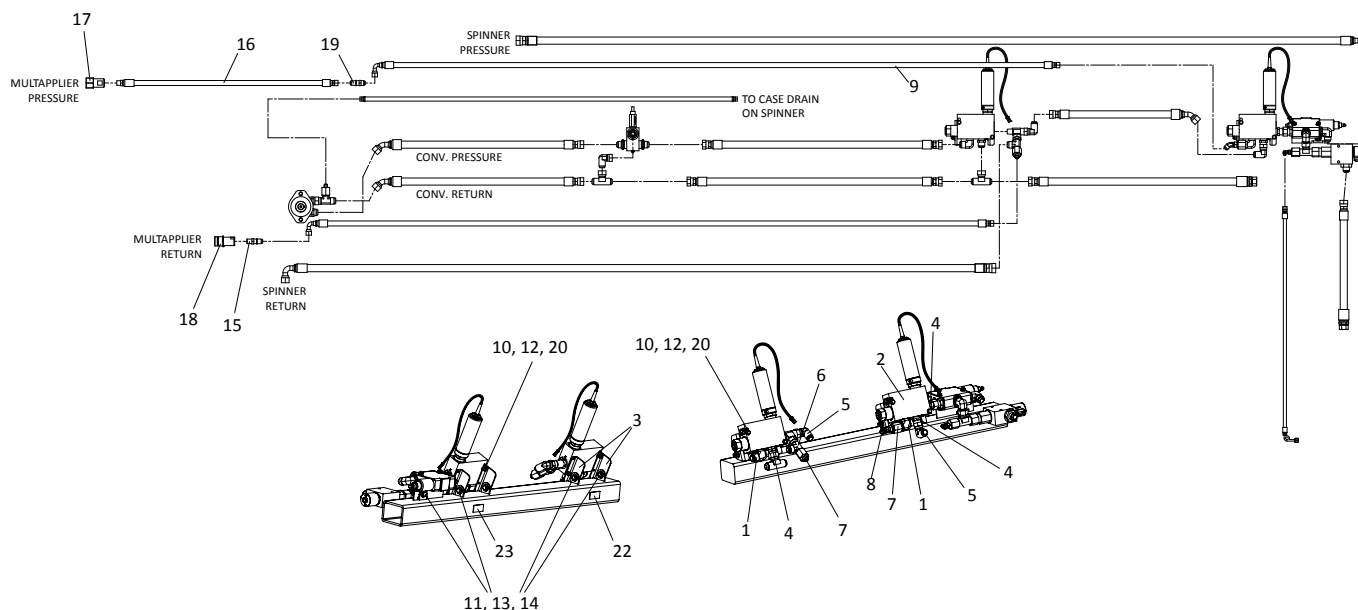
* - Not Shown

PARTS LIST



<u>ITEM</u>	<u>PART NO.</u>	<u>DESCRIPTION</u>	<u>QTY</u>
15	29781	Tee - Swivel Nut	1
16	34868	Fitting - 4-4 070221	1
17	56407	Reducer - 12 FJIC x 6 MJIC	1
18	29753	Adapter - Connector	2
19	56353	Fitting - 12-4 070123	1
20	302862	Hose - Assy SAE 12 x 160 100R2	1
21	302863	Hose - Assy SAE 12 x 128 100R2	1
22	302864	Hose - Assy SAE 12 x 34 100R2	3
23	29725	Hose - Assy SAE 12 x 54 100R2	1
24	29690	Hose - Assy SAE 12 x 51.5 100R2	1
25	87520	Hose - Assy SAE 12 x 50	1
26	36398	Cap Screw - 3/8-16NC x 1 SS	3
27	34866	Cap Screw - 1/4-20NC x 2-3/4 SS	2
28	34501	Cap Screw - 1/4-20NC x 2-1/2 SS	2
29	36393	Cap Screw - 1/4-20NC x 3/4 SS	2
30	72054	Nut - Lock 3/8-16 SS	3
31	42034	Nut - Lock 1/4-20NC SS	4
32	36425	Washer - Flat 3/8 SS	6
33	36423	Washer - Flat 1/4 SS	4
34	36418	Washer - Lock 1/4 SS	2
35	302097	Washer - Step	4
36	304818	Valve - Relief Soft Start	1
37	29835	Fitting - 12-16 070120	3
38	29785	Fitting - 12-12 070201	1
39	304250	Decal - Bin 1	1
40	304251	Decal - Bin 2	1
41	304892	Label - Cable "303922 PWM"	1
42	99671	Tie - Wire	1
43	308806	Hose - Assy SAE 12 x 47 2CB	1
44	302867	Hose - Assy SAE 12 x 38 100R2	1
45	308805	Hose - Assy SAE 12 x 21 100R12	1

* - Not Shown



ITEM	PART NO.	DESCRIPTION	QTY
1	29847	Fitting - 12-12 070220	1
2	306273	Valve - Assy Control 5 GPM SFP	1
	306275	Valve - Servo Flow Control 5 GPM	1
3	302582	Bracket - Mount Valve	2
4	303226	Fitting - 12-12 Special Str. JIC x SAE	1
5	34709	Adapter - Elbow 90 Deg	1
6	29781	Tee - Swivel Nut	1
7	56406	Reducer - 12 FJIC x 8 MJIC	2
8	34805	Adapter - Elbow 45 Deg	1
9	80464	Hose - Assy SAE 8 x 124 100R1	2
10	34866	Cap Screw - 1/4-20NC x 2-3/4 SS	2
11	36398	Cap Screw - 3/8-16NC x 1 SS	2
12	42034	Nut - Lock 3/8-16NC SS	2
13	36425	Washer - Flat 3/8 SS	4
14	72054	Nut - Lock 3/8-16NC SS	2
15	56416	Bulkhead - 8 MJIC x 1/2 MNPT	1
16	98667	Hose - Assy SAE 8 x 36 100R1	1
17	96651	Disconnect - Quick Hex Nut	1
18	96652	Disconnect - Quick Nipple	1
19	34839	Adapter - Union Bulkhead	1

* - Not Shown

PARTS LIST

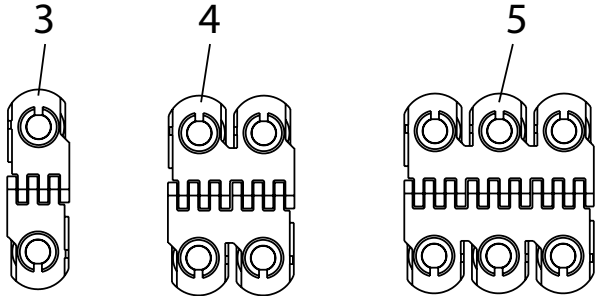
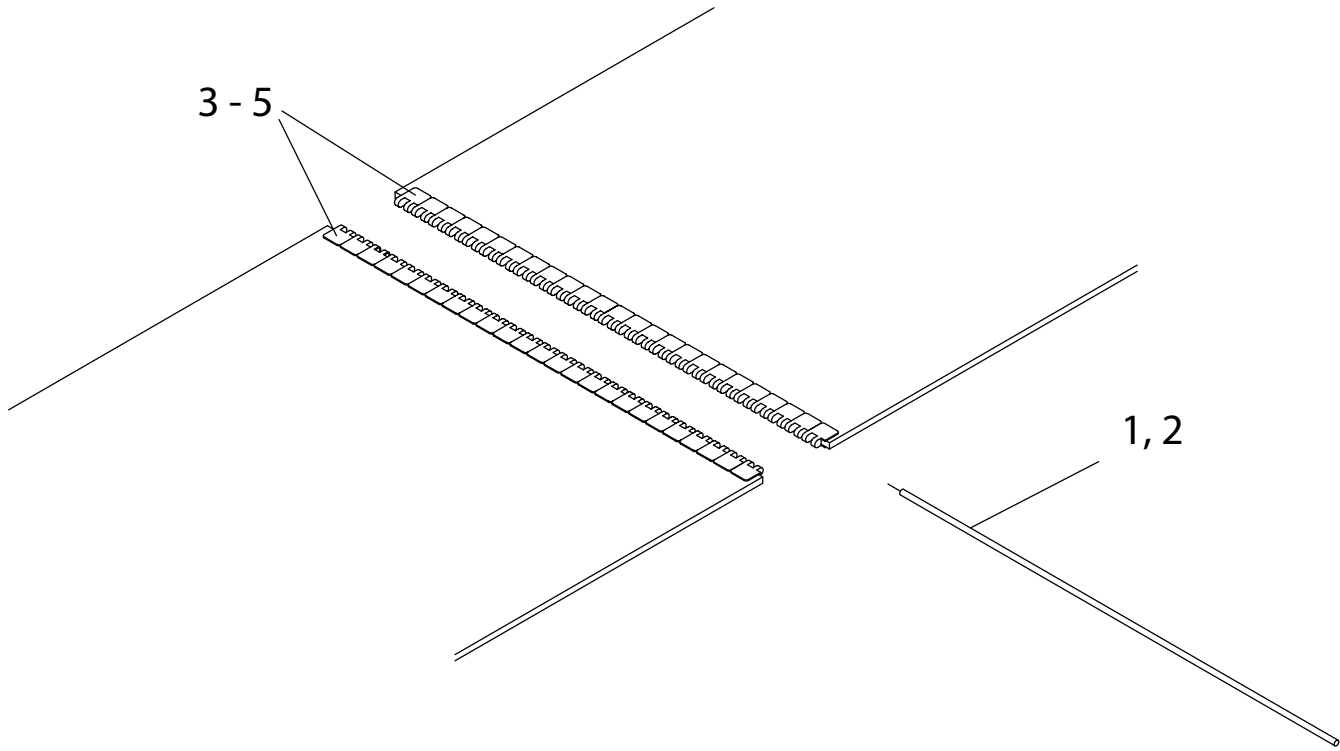


<u>ITEM</u>	<u>PART NO.</u>	<u>DESCRIPTION</u>	<u>QTY</u>
20	302097	Wsaher - Step	4
21	*99674	Tie - Wire	1
22	304250	Decal - Bin 1	1
23	304251	Decal - Bin 2	1

* - Not Shown



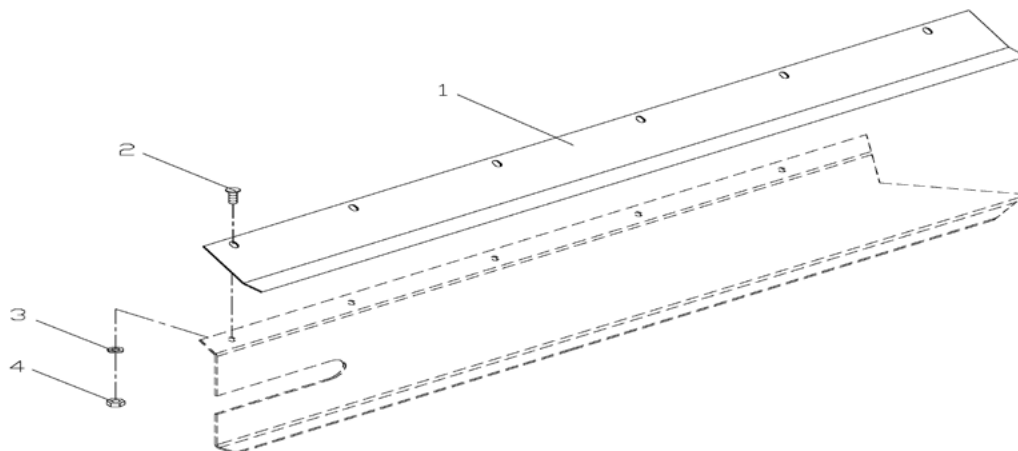
CONVEYOR
#5 STRAIGHT BELT CONVEYOR



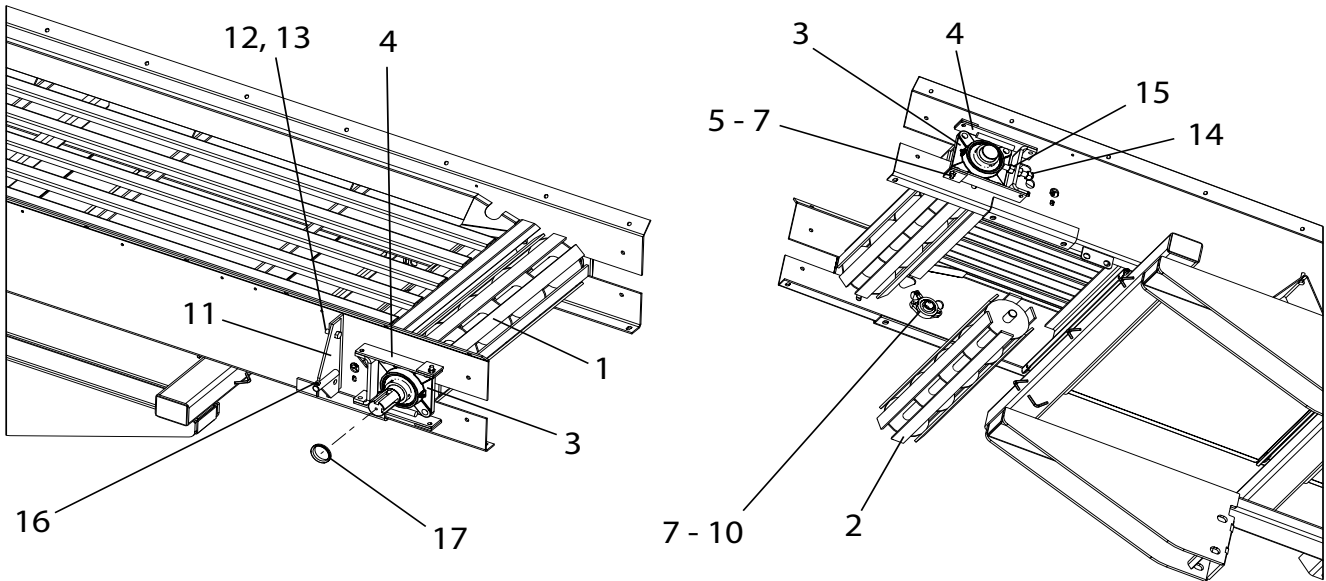
<u>ITEM</u>	<u>PART NO.</u>	<u>DESCRIPTION</u>	<u>QTY</u>
	305308-AE	Belt - Conveyor, Includes 1 - 5	1
1	310495	Tube - Plastic	2
2	70950	Pin - Hinge	1
3	53992	Fastener - SS 1 Bolt Set With Hardware	4
4	53993	Fastener - SS 2 Bolt Set With Hardware	2
5	53994	Fastener - SS 3 Bolt Set With Hardware	6

PARTS LIST





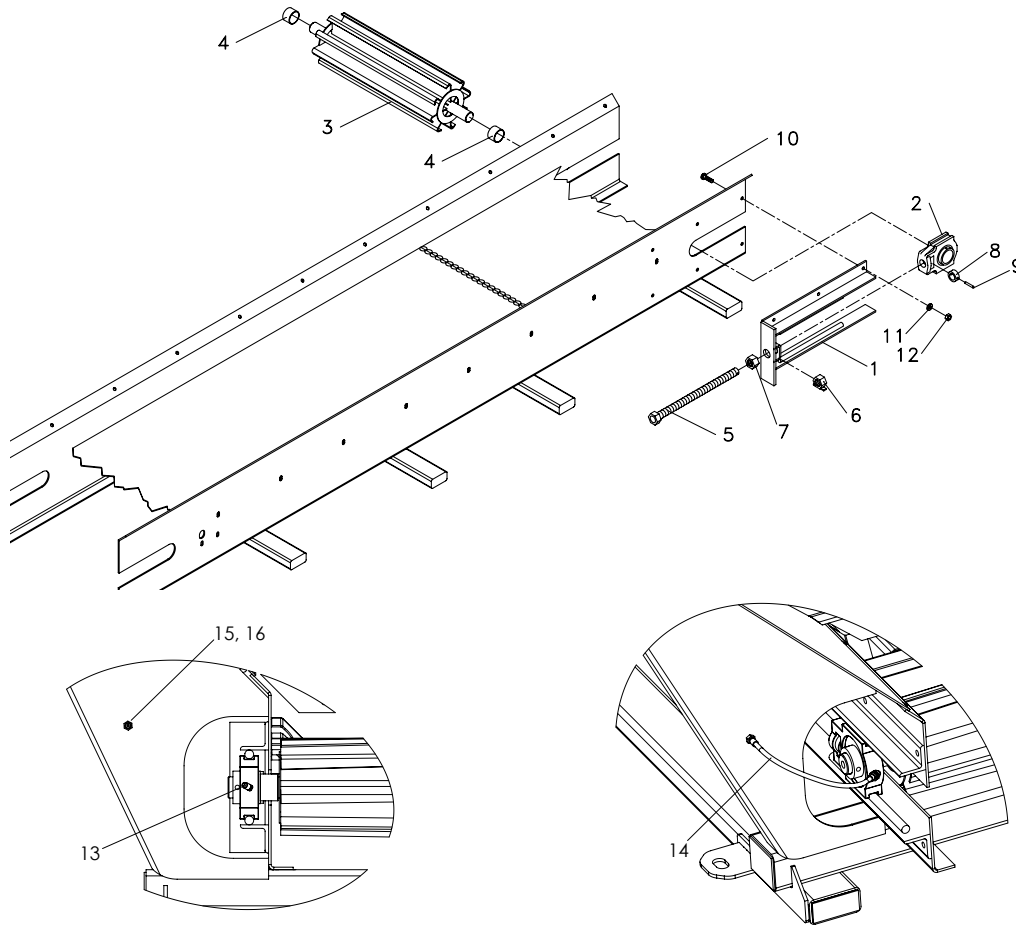
<u>ITEM</u>	<u>PART NO.</u>	<u>DESCRIPTION</u>	<u>QTY</u>
1	97749-AA	Shield - Chain 12' 304	2
	97732-AA	Shield - Chain 12' 409	2
2	71829	Screw - Truss Head 3/8 - 16 x 1 SS	28
3	36420	Washer - Lock 3/8 SS	28
4	36414	Nut - Hex 3/8 - 16 SS	28



<u>ITEM</u>	<u>PART NO.</u>	<u>DESCRIPTION</u>	<u>QTY</u>
1	71674	Drive - Wldmt Pulley	1
2	71676	Snubber - Wldmt Pulley	1
3	6465	Bearing	2
4	82885	Guide - Wldmt Bearing	4
5	36399	Cap Screw - 3/8-16NC x 1-1/4 SS	8
6	36420	Washer - Lock 3/8 SS	8
7	36414	Nut - Hex 3/8 SS	12
8	36425	Washer - Flat 3/8 SS	4
9	32468	Bearing - Assy w/ Grease Zerk	2
	6071	Grease Zerk	2
10	71772	Screw - Button Head 3/8-16NC x 1-1/4	4
11	82552	Torque Arm - LH Wldmt	1
12	20128	Cap Screw - 1/2-13NC x 1-1/4	2
13	20680	Nut - Lock 1/2-13NC	2
14	81354	Screw - Wldmt Set 5/8	1
15	36417	Nut - Hex 5/8	1
16	20833	Pin - Cotter 1/4 x 1-1/2	1
17	311172	V-Ring Seal	1

PARTS LIST

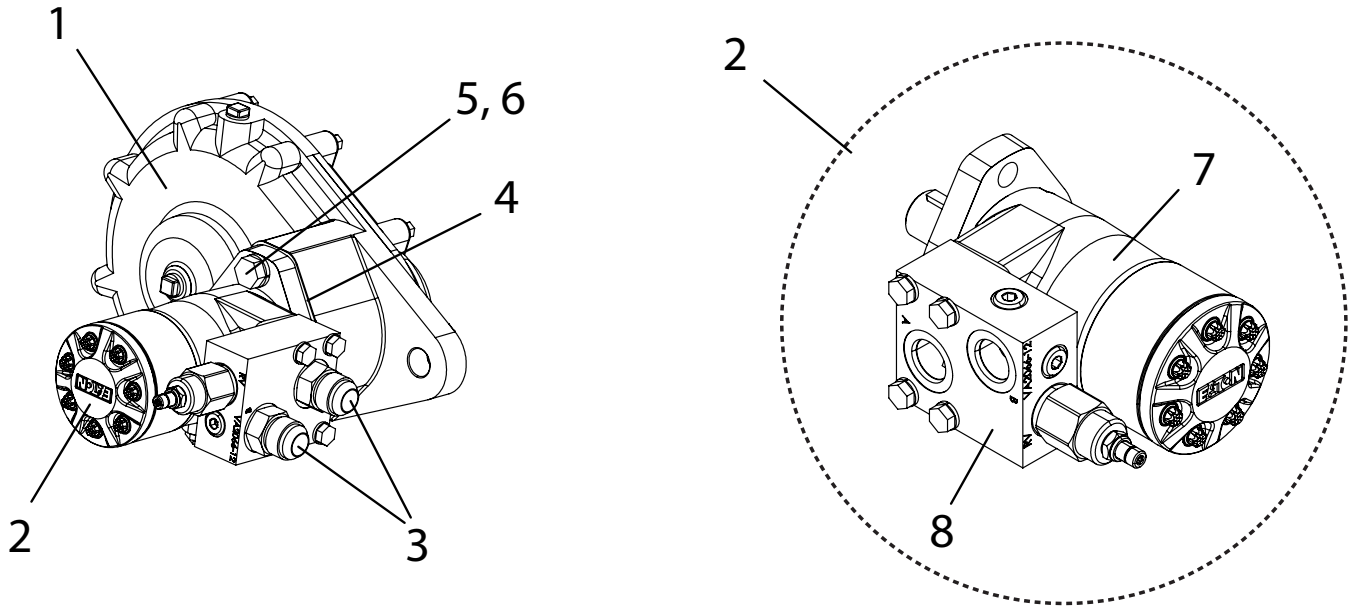




ITEM	PART NO.	DESCRIPTION	QTY
1	7895	Take-up Wldmt	2
2	22511	Bearing - Take-up	2
3	81344-X1	Idler - Wldmt Turnkleen 30" 304	1
4	81345	Spacer - Pipe Idler Pulley	2
5	36508	Screw - Adjustable Wldmt SS	2
6	39110	Nut - Wldmt SS	2
7	36509	Nut - Hex 1-8NC SS	2
8	30725	Collar - Set 1"	2
9	20925	Pin - Roll 1/4 x 1-1/2 SS	2
10	36409	Bolt - Carriage 3/8-16NC x 1-1/4 SS	12
11	36420	Washer - Lock 3/8 SS	12
12	36414	Nut - Hex 3/8-16NC SS	12
13	34735	Adapter - Elbow 45	1
14	310550	Hose - Assy 1/8 x 16	1
15	310471	Nut - Bulkhead 1/8-27	1
16	6072	Zerk - Grease	1



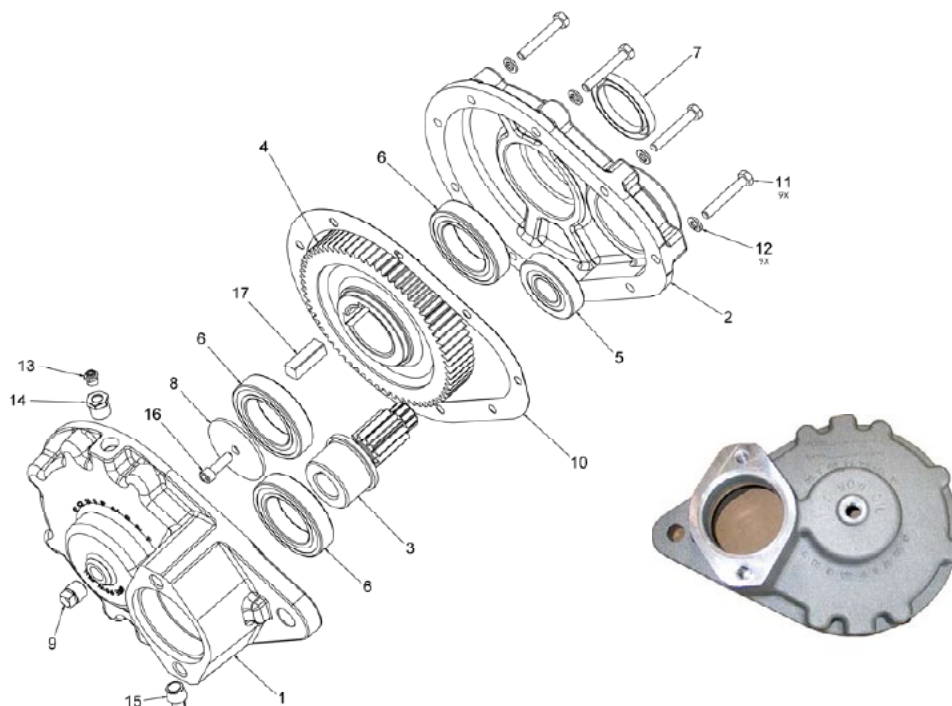
Please Give Part No., Description
& Unit Serial No.



<u>ITEM</u>	<u>PART NO.</u>	<u>DESCRIPTION</u>	<u>QTY</u>
	309613	Gearcase - Assy 6:1, Includes Items 1 - 8	1
1	36671	Gearcase - Assembled See "Gearcase - Single Pinion" page for service parts.	1
2	309600 39137	Motor – Hydraulic, Assy: Includes 7 - 10. Seal Kit	1 1
3	29753	Fitting - 12-10 070120	2
4	74524	Gasket - Motor Flange	2
5	20129	Cap Screw 1/2 x 1-1/2	2
6	20714	Washer - Lock 1/2	2
7	309601	Motor - Hydraulic	1
8	309602	Valve - Relief	1

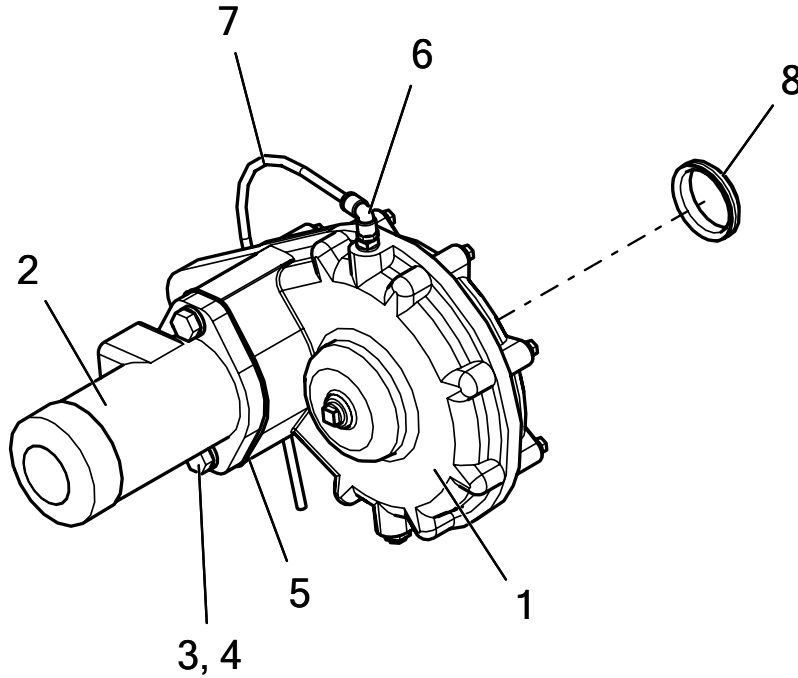
PARTS LIST





<u>ITEM</u>	<u>PART NO.</u>	<u>DESCRIPTION</u>	<u>QTY</u>
	36671	Gearcase – Assy Single Pinion	
	304269-AB	Parts – Service, Includes 1–17	
1	304559	Housing – Outboard	1
2	304560	Housing – Inboard	1
3	304561	Gear – Pinion 11 Tooth	2
4	304562	Gear – Driven 67 Tooth	1
5	37007	Bearing	2
6	37008	Bearing	4
7	37006	Seal – Oil	1
8	38979	Washer – Flat 2-1/2 x 11/32	2
9	6031	Plug – Pipe	1
10	304563	Gasket – Housing	1
11	20040	Cap Screw – 5/16NC x 2	10
12	20711	Washer – Lock 5/16	10
13	2564	Cap – Breather	1
14	27465	Bushing – Pipe 1/8 x 3/8	1
15	21490	Plug – Pipe Magnetic	1
16	38980	Screw – Allen Head 5/16-18 x 1	1
17	37010	Key – 1/2 x 1/2 x1-1/2	2

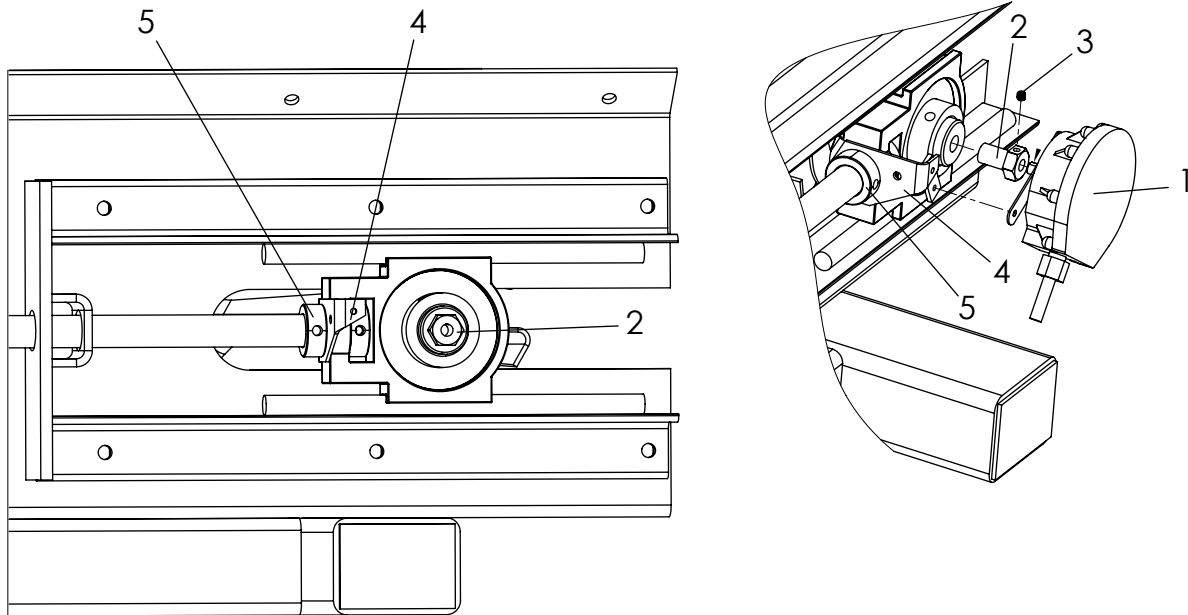
GEARCASE BREATHING TUBE



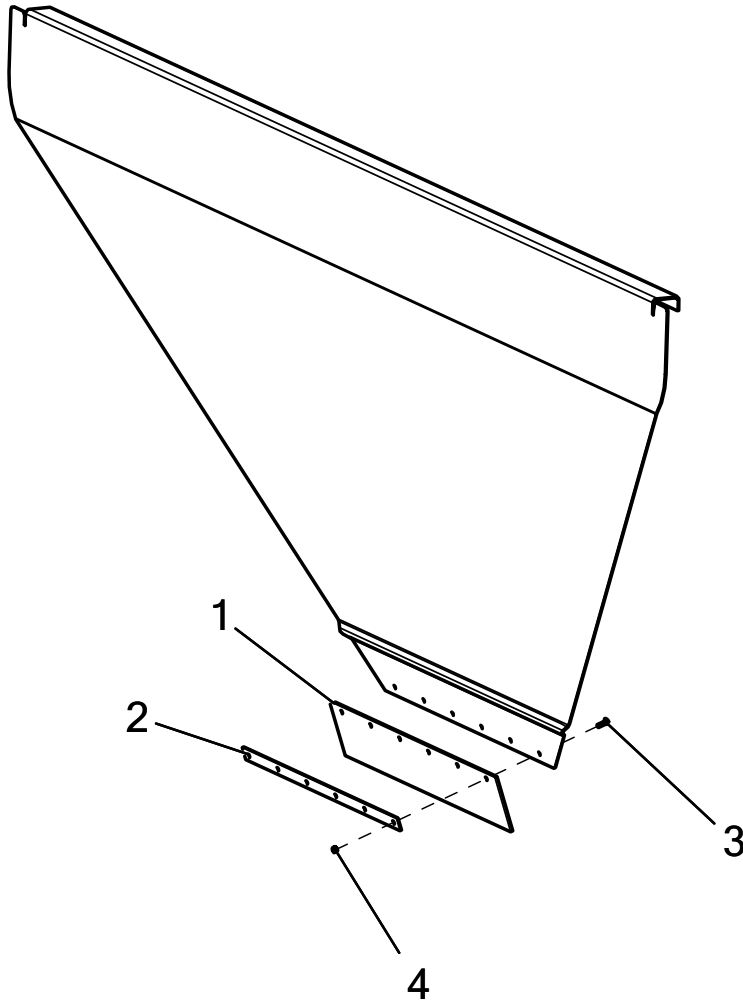
<u>ITEM</u>	<u>PART NO.</u>	<u>DESCRIPTION</u>	<u>QTY</u>
1	36671	Gearcase - Single Pinion 6:1	1
2	38897	Motor - Hydraulic 1.5"	1
3	20129	Cap Screw - 1/2-13NC x 1-1/2	2
4	20714	Washer - Lock 1/2	2
5	74524	Gasket - Motor	1
6	306891	Fitting - 4-2 630202K	1
7	310494	Tubing - 1/4 OD Air Brake Black	1
8	311172	Seal - V-Ring	1

PARTS LIST

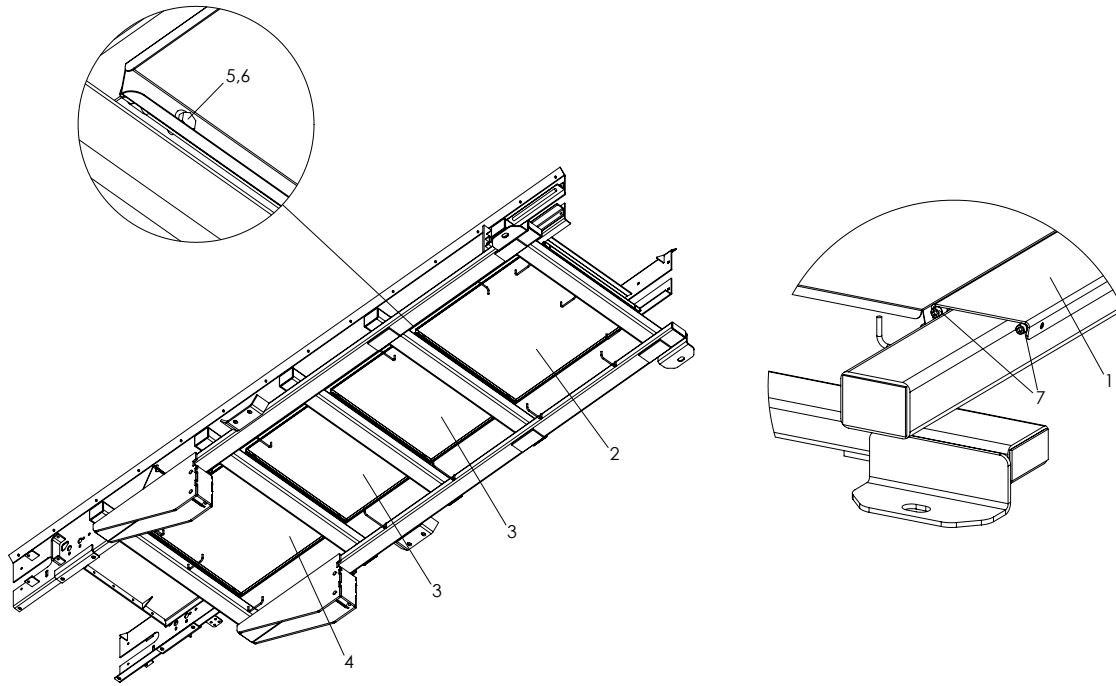




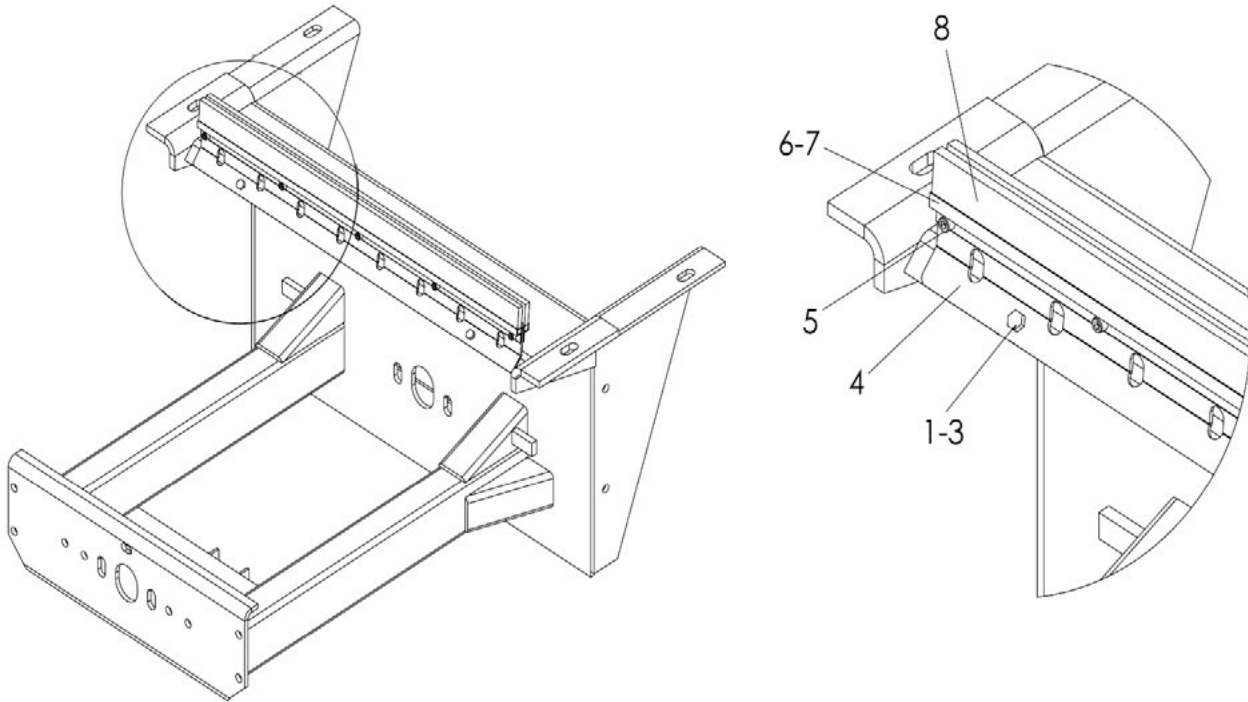
<u>ITEM</u>	<u>PART NO.</u>	<u>DESCRIPTION</u>	<u>QTY</u>
1	303994	Encoder – 180 with Hardware	1
2	310601	Coupler - Rate Sensor SS	1
3	310603	Screw - Set 1/4-20NC x 5/16 SS	1
4	81949	Bracket - Sensor, Idler Mount	1
5	2696	Collar - Set 1"	1



<u>ITEM</u>	<u>PART NO.</u>	<u>DESCRIPTION</u>	<u>QTY</u>
	90826	Belt - Front Wiper Assy, Includes Items 1 - 4	1
1	14743	Wiper - Belt	1
2	71656	Retainer - Belt 304	1
3	32446	Screw - TR HD 1/4 x 3/4	6
4	36412	Nut - Hex 1/4	6

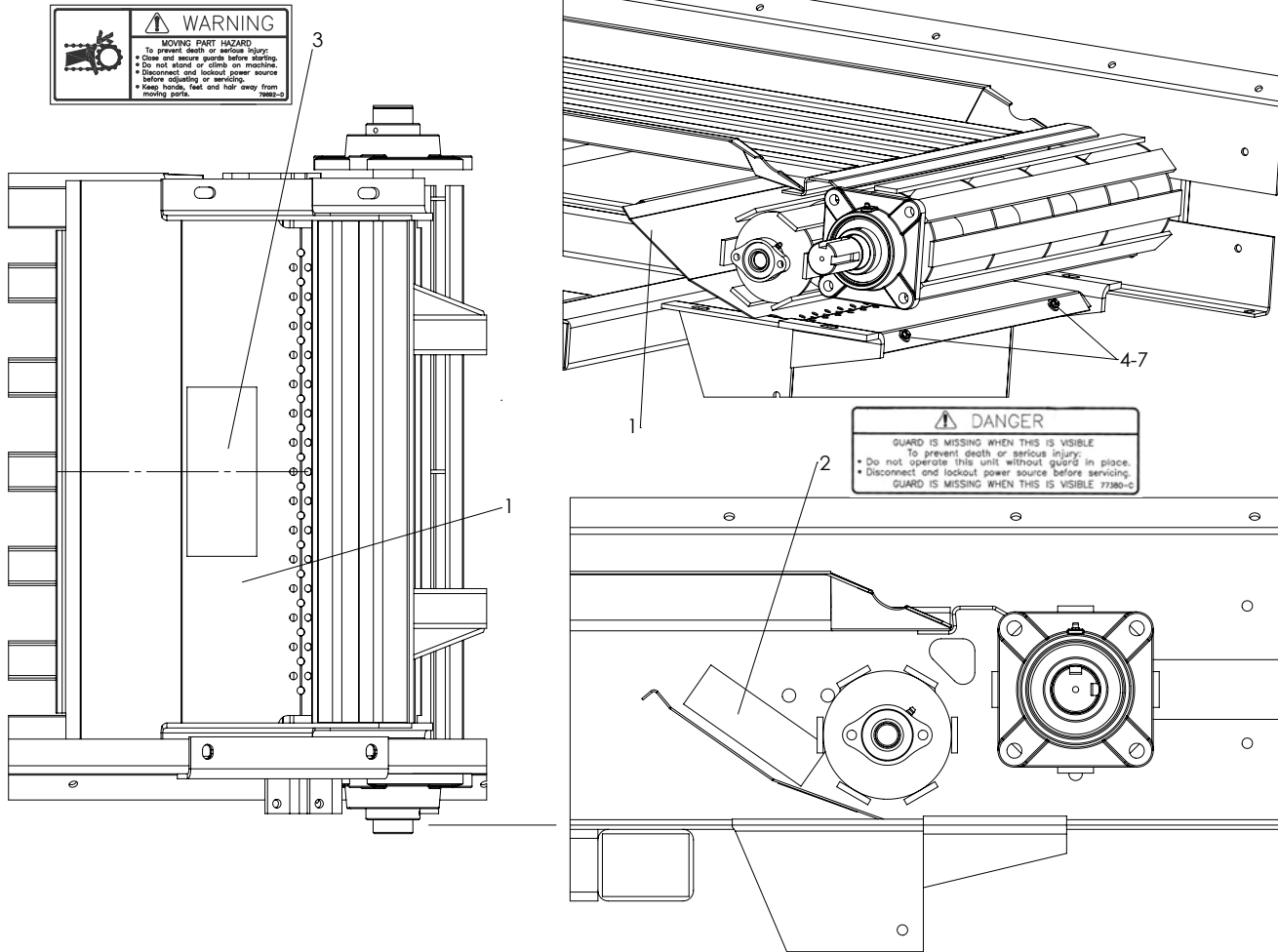


<u>ITEM</u>	<u>PART NO.</u>	<u>DESCRIPTION</u>	<u>QTY</u>
1	307645	Support Panel - Wldmt Chassis 304	5
2	307646	Panel - Front Chassis 304	1
3	307647	Panel - Center Chassis 304	2
4	307648	Panel - Rear Chassis 304	1
5	58799	Cap Screw - 1/4-20NC x 1/2 SS	16
6	36423	Washer - Flat 1/4 SS	16
7	307642	Screw - Sockhead 5/16-18NC x 1/2 SS	20



<u>ITEM</u>	<u>PART NO.</u>	<u>DESCRIPTION</u>	<u>QTY</u>
	308810	Brush - Strip Assy, Includes items 4-8	
1	36395	Cap Screw - 1/4-20NC x 1 SS	2
2	36418	Washer - Lock 1/4 SS	2
3	36412	Nut - Hex 1/4-20NC SS	2
4	308800	Mount - Brush	1
5	308802	Screw - Sockethead 1/4-20NC x 1/2 SS	5
6	308796	Holder - Brush 24" SS	1
7	308804	Holder - Wldmt Brush	1
8	308795	Brush - Strip 24"	2

This page is intentionally left blank.

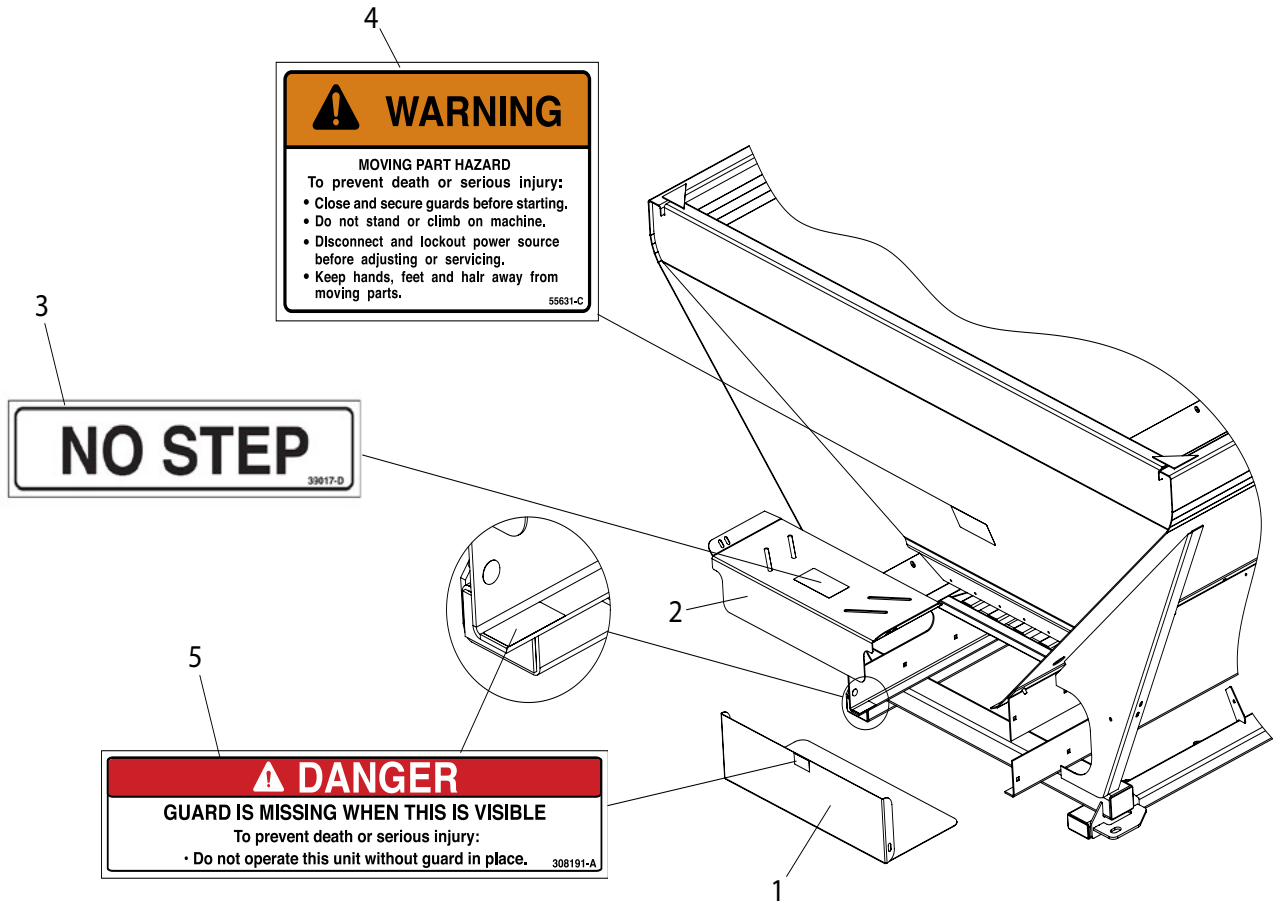


ITEM	PART NO.	DESCRIPTION	QTY
1	305249	Guard - Pulley Drive & Snubber	1
2	77380	Decal - Danger, Guard is Missing	2
3	79692	Decal - Warning, Moving Parts Hazard	1
4	36393	Cap Screw - 1/4-20NC X 3/4 SS	2
5	36412	Nut - Hex 1/4-20NC SS	2
6	36423	Washer - Flat 1/4 SS	2
7	36418	Washer - Lock 1/4 SS	2

For additional Safety Decals, see *Guard - Front Cover and Decals - Safety*

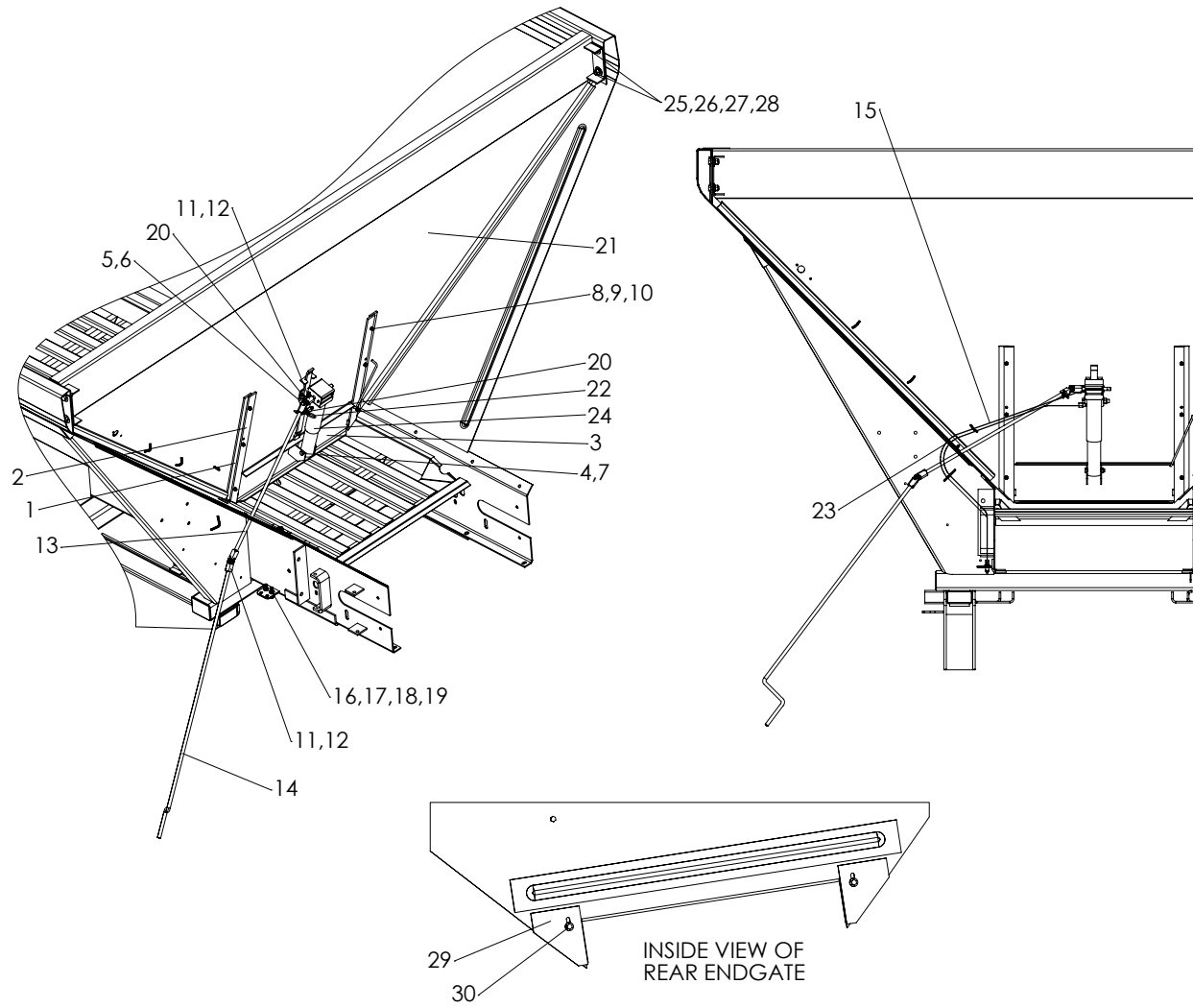
PARTS LIST



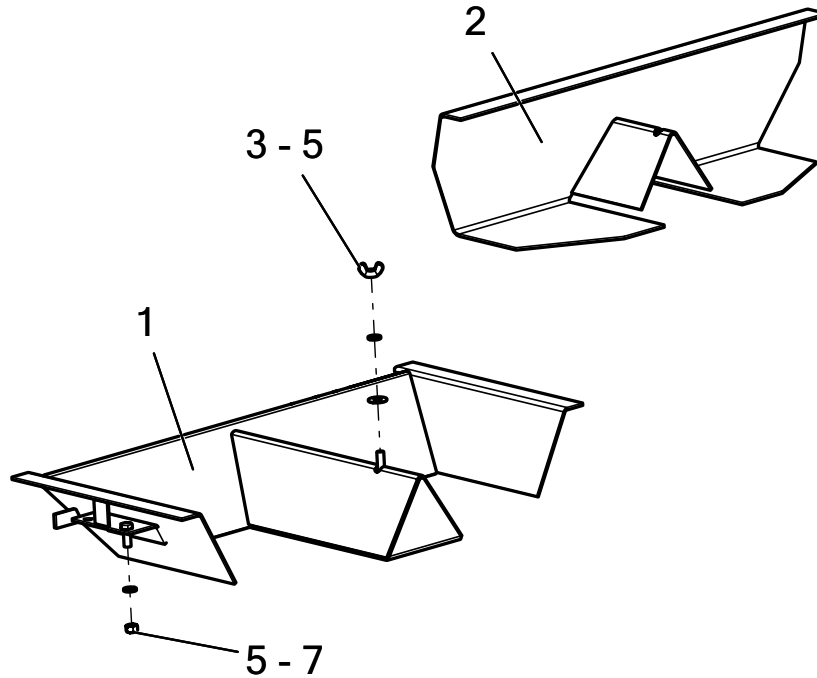


ITEM	PART NO.	DESCRIPTION	QTY
1	308860	Guard – Front Cover - Bottom	1
2	308859	Guard -- Front Cover - Top	1
3	39017	Decal – No Step	1
4	55631	Decal - Warning, Moving Part Hazard	1
5	308191	Decal - Danger, Guard is Missing	2

For additional Safety Decals, see also *Drive and Snubber Guard and Decals - Safety*



<u>ITEM</u>	<u>PART NO.</u>	<u>DESCRIPTION</u>	<u>QTY</u>
1	36385	Guide – Feedgate	2
2	36384	Slide – Feedgate	2
3	304778	Feedgate Wldmt 304	1
	306018	Feedgate Wldmt 409	1
4	71827	Cap Screw – 3/8 x 3 SS	1
5	80798	Cap Screw – 1/2 x 3-3/4 SS	1
6	39016	Nut – Lock 1/2 SS	1
7	72054	Nut – Lock 3/8 SS	1
8	40750	Cap Screw – 1/4 x 1 1/4 SS	6
9	36418	Washer – Lock 1/4 SS	6
10	36412	Nut – Hex 1/4 SS	6
11	85002	U-Joint	2
12	20918	Pin – Roll	3
13	98634	Handle – Extension	1
14	14382	Handle	1
15	301338	Tube – 1/4 OD	AR
16	301332	Connector – Bulkhead	2
17	301333	Nut – Lock, Connector	2
18	301334	Fitting – Straight Male	2
19	6069	Zerk – Grease	2
20	306349	Connector – Zerk-Lock	2
21	304765	Endgate – Wldmt 304	1
	306020	Endgate – Wldmt 409	1
22	86878	Pin – Hair .178 x 3-3/4	1
23	34129	Grommet – Rubber	1
24	87170	Jack - Assy	1
25	20128-X1	Cap Screw – 1/4-13 x 1-1/4	4
26	20695	Washer – Flat 1/2	8
27	20714	Washer – Lock 1/2	4
28	20646	Nut – Hex 1/2-13	4
29	305078	Sealer – Endgate Bolt-in (inside)	2
30	36423	Washer – Flat 1/4	2
31	301339	Fitting - Straight Male 1/8	2

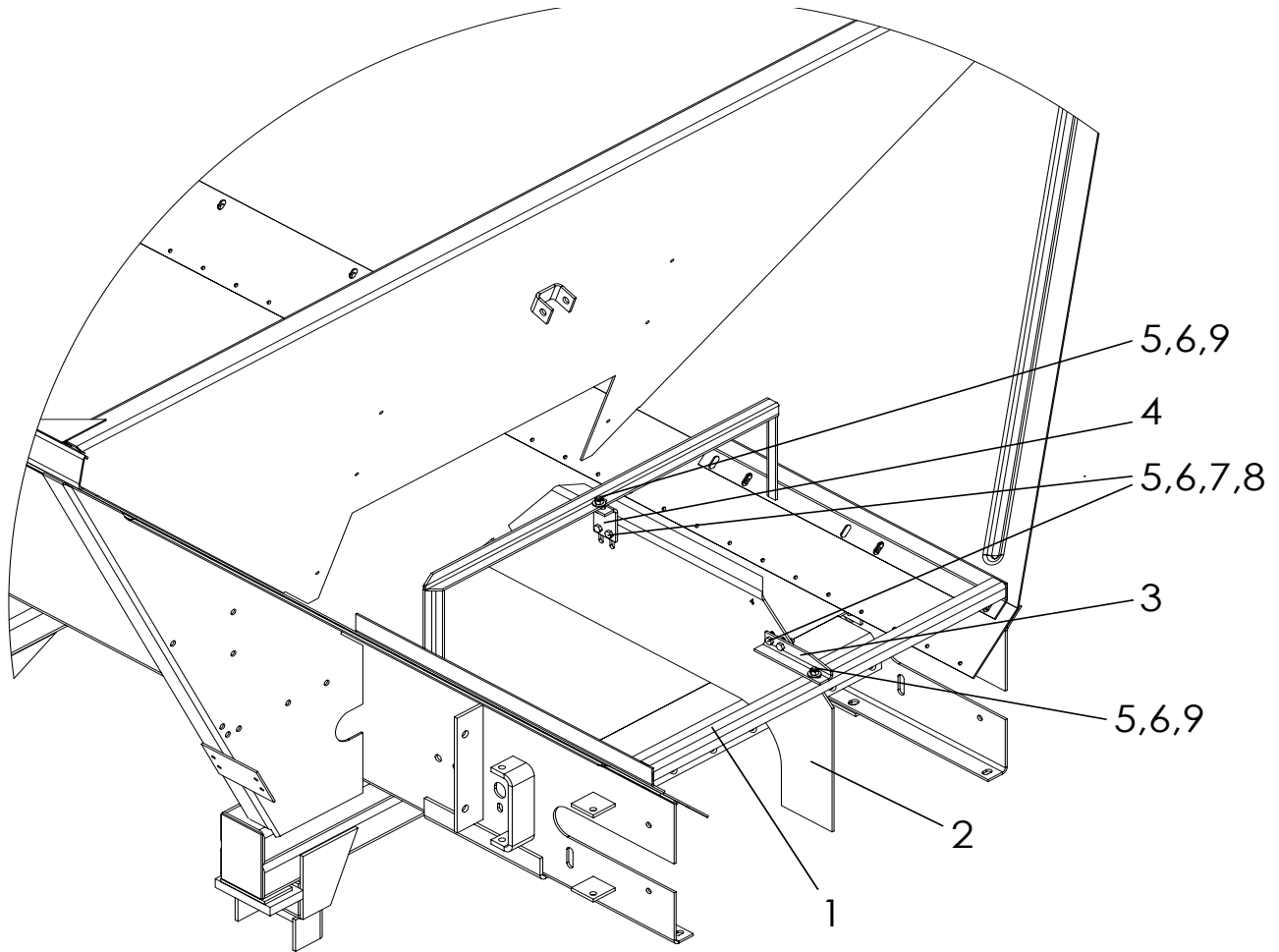


<u>ITEM</u>	<u>PART NO.</u>	<u>DESCRIPTION</u>	<u>QTY</u>
	87108	Divider – Material Assy, Includes 1-5	
1	87054	Divider – Wldmt	1
2	87064	Deflector – Rear Wldmt	1
3	20673	Nut – Wing 3/8 SS	1
4	36425	Washer – Flat 3/8 SS	1
5	36420	Washer – Lock 3/8 SS	1
6	36293	Cap Screw – 3/8-16NC x 3/4 SS	2
7	36414	Nut – Hex 3/8-16NC SS	AR

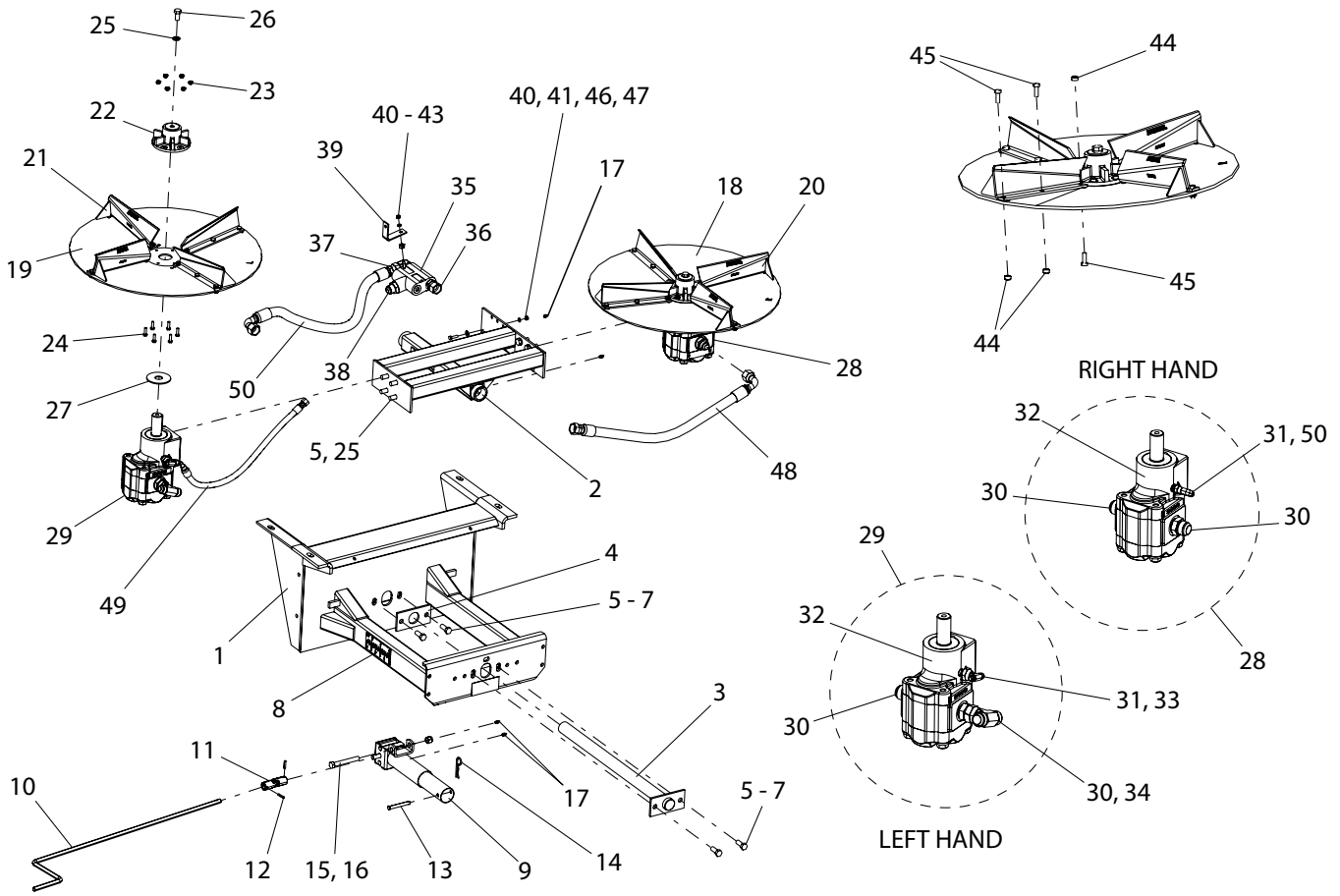
AR - As Required

PARTS LIST





<u>ITEM</u>	<u>PART NO.</u>	<u>DESCRIPTION</u>	<u>QTY</u>
1	86507	Bracket – Wldmt Support	1
2	304796	Panel – Hillside Divider #5 Belt	1
	86506	Panel - Hillside Divider #4 BOC	1
3	56879	Bracket – Clamp	1
4	56880	Angle – Clamp	1
5	34580	Cap Screw – 5/16 x 1 SS	6
6	36424	Washer – Flat 5/16 SS	8
7	36419	Washer – Lock 5/16 SS	4
8	36413	Nut – Hex 5/16 SS	4
9	42221	Nut – Lock 5/16 SS	2
Note: Use chain shield hardware to attach Item 1 to sills.			



ITEM	PART NO.	DESCRIPTION	QTY
	86503	24" Spinner Assy, Includes Items 1 -	1
	87106	Spinner Disc – LH Assy, Includes Items 19, 21 - 24	1
	87105	Spinner Disc – RH Assy, Includes Items 18, 20, 22 - 24	1
1	87090	Plate – Back Wldmt	1
2	87082	Mount – Motor Wldmt	1
3	87021	Shaft – Support Wldmt	1
4	87023	Plate – Shaft Mount	1
5	36402	Cap Screw – 1/2-13NC x 1-1/4 SS	12
6	39016	Nut – Lock 1/2-13NC SS	5
7	36426	Washer – Flat 1/2 SS	4
8	87110	Scale - Spinner Position	1

PARTS LIST

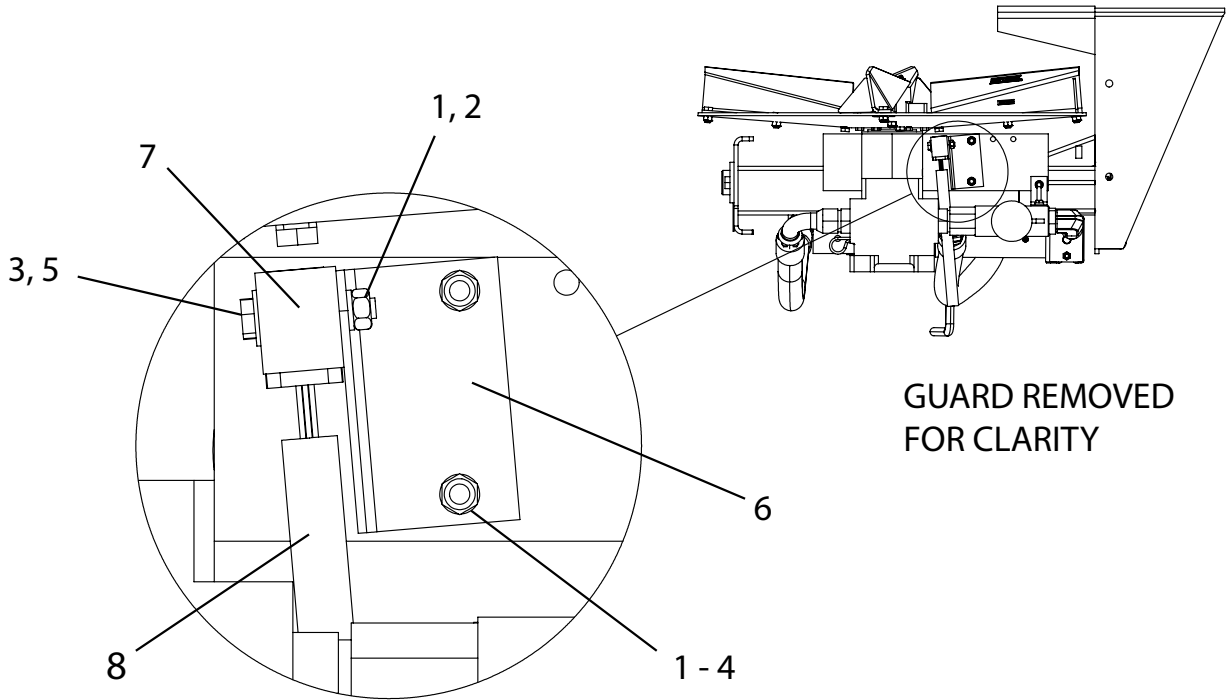


<u>ITEM</u>	<u>PART NO.</u>	<u>DESCRIPTION</u>	<u>QTY</u>
9	87170	Jack – Coated Assy	1
10	87024	Handle	1
11	85002	U-Joint	1
12	20918	Pin – Roll	2
13	6547	Pin – Clevis	1
14	36429	Pin – Hair SS	1
15	80798	Cap Screw – 1/2-13NC x 3-3/4 SS	1
16	39016	Nut - Lock 1/2-13NC SS`	1
17	6072	Zerk – Grease	2
18	27056-X4	Disc – Distributor RH	1
19	27056-X5	Disc – Distributor LH	1
20	309091	Fin - RH Wldmt	4
21	309092	Fin – LH Wldmt	4
22	10877	Hub	2
23	20676	Nut – Lock 1/4-20NC	12
24	20004	Cap Screw – 1/4-20NC x 7/8	12
25	36422	Washer – Lock 1/2 SS	10
26	36401	Cap Screw – 1/2-13NC x 1 SS	2
27	305571	Washer – Rubber	2
28	87099	Motor - RH Style II Assy, includes Items 30 - 32, 51	1
29	87098	Motor – LH Style II Assy, includes Items 30 - 34	1
30	34717	Adapter - O-Ring	4
31	34763	Adapter - O-Ring	2
32	313510	Motor - Spinner 3.19 CID (Post-2016 Units)	2
	305944	Motor-Spinner Style II (2016 & Previous units)	2
	72548	Seal Kit	AR
	305824	Seal Kit - Retainer	AR
33	29809	Fitting - 12-12-12 070433	1
34	29825	Fitting - 6-6-6 070433	1
35	43510	Valve – Flow Divider	1
36	29788	Adapter - Straight	1
37	29847	Adapter - Elbow 90°	1
38	29789	Adapter - Straight	1
39	87053	Angle – Valve Mount	1
40	36412	Nut – Hex 1/4-20NC SS	2
41	36418	Washer – Lock 1/4 SS	2
42	36414	Nut - Hex 3/8-16NC SS (Used as spacer)	1
43	34865	Cap Screw – 1/4-20NC x 2-1/4 SS	1

<u>ITEM</u>	<u>PART NO.</u>	<u>DESCRIPTION</u>	<u>QTY</u>
44	20677	Nut – Lock 5/16-18NC	24
45	20034	Cap Screw – 5/16-18NC x 3/4	24
46	36423	Washer – Flat 1/4 SS	1
47	36395	Cap Screw – 1/4-20NC x 1 SS	1
48	87049	Hose - Assy SAE 12 x 27-1/2" 100R2	1
49	87112	Hose - Assy SAE 6 x 28" 100R1	1
50	98108	Hose - Assy SAE 12 x 27-1/2" 100R12	1
51	34816	Fitting - Elbow 90°	1
52	* 36940	Bolt – Carriage 1/2 x 2 SS	4
53	* 36426	Washer – Flat 1/2 SS	4
54	* 36422	Washer – Lock 1/2 SS	4
55	* 36416	Nut – Hex 1/2-13NC SS	4

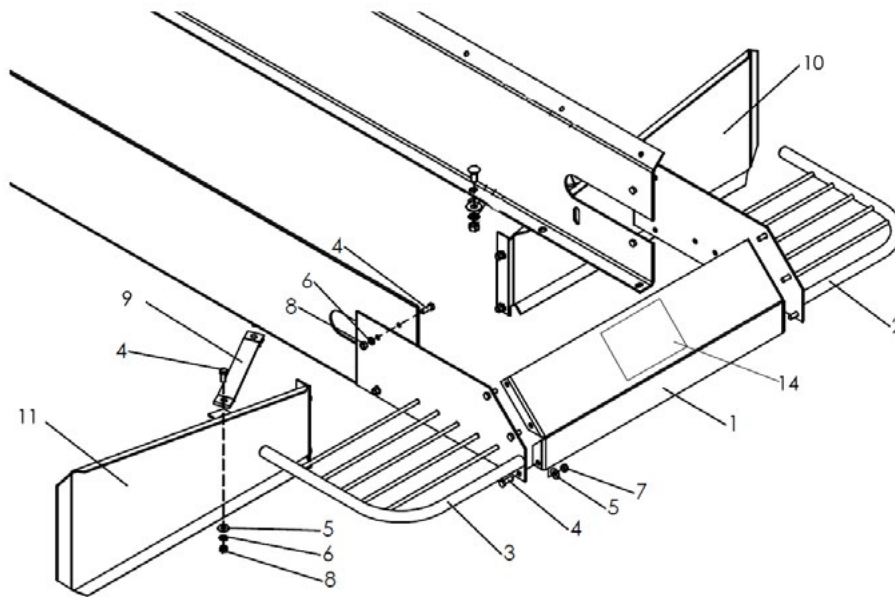
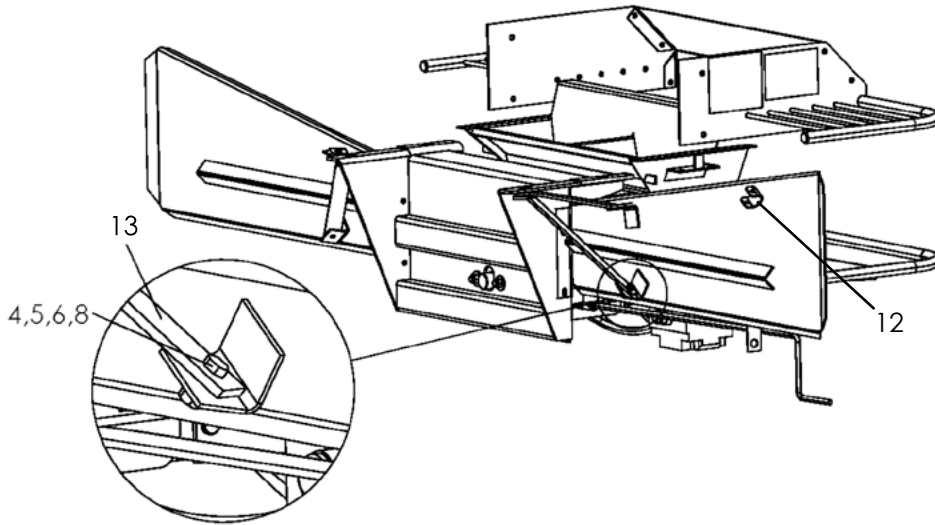
AR - As Required * - Not Shown – Used to attach spinner to sills.





<u>ITEM</u>	<u>PART NO.</u>	<u>DESCRIPTION</u>	<u>QTY</u>
	97310	Sensor – Kit Spinner (Includes Items 1 - 8)	
1	36412	Nut – Hex 1/4 SS	6
2	36418	Washer – Lock 1/4 SS	6
3	36423	Washer – Flat 1/4 SS	3
4	36393	Cap Screw – 1/4 x 3/4 SS	2
5	42448	Cap Screw – 1/4 x 1-1/2 SS	2
6	86672	Bracket	1
7	89011	Sensor – Assy	1
8	89009	Cable – Sensor Extension	1

SPINNER GUARDS & DEFLECTORS



PARTS LIST

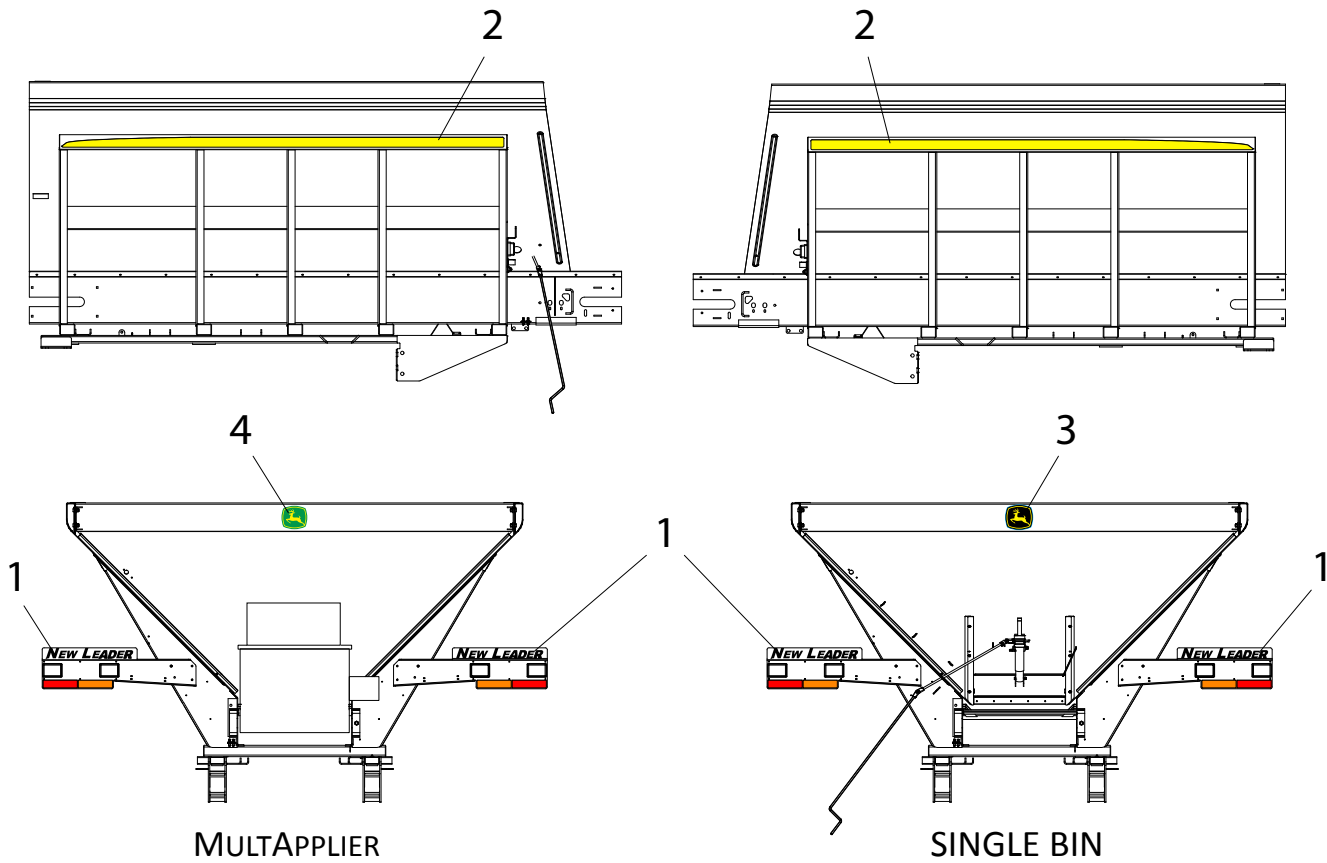


SPINNER GUARDS & DEFLECTORS CONTINUED

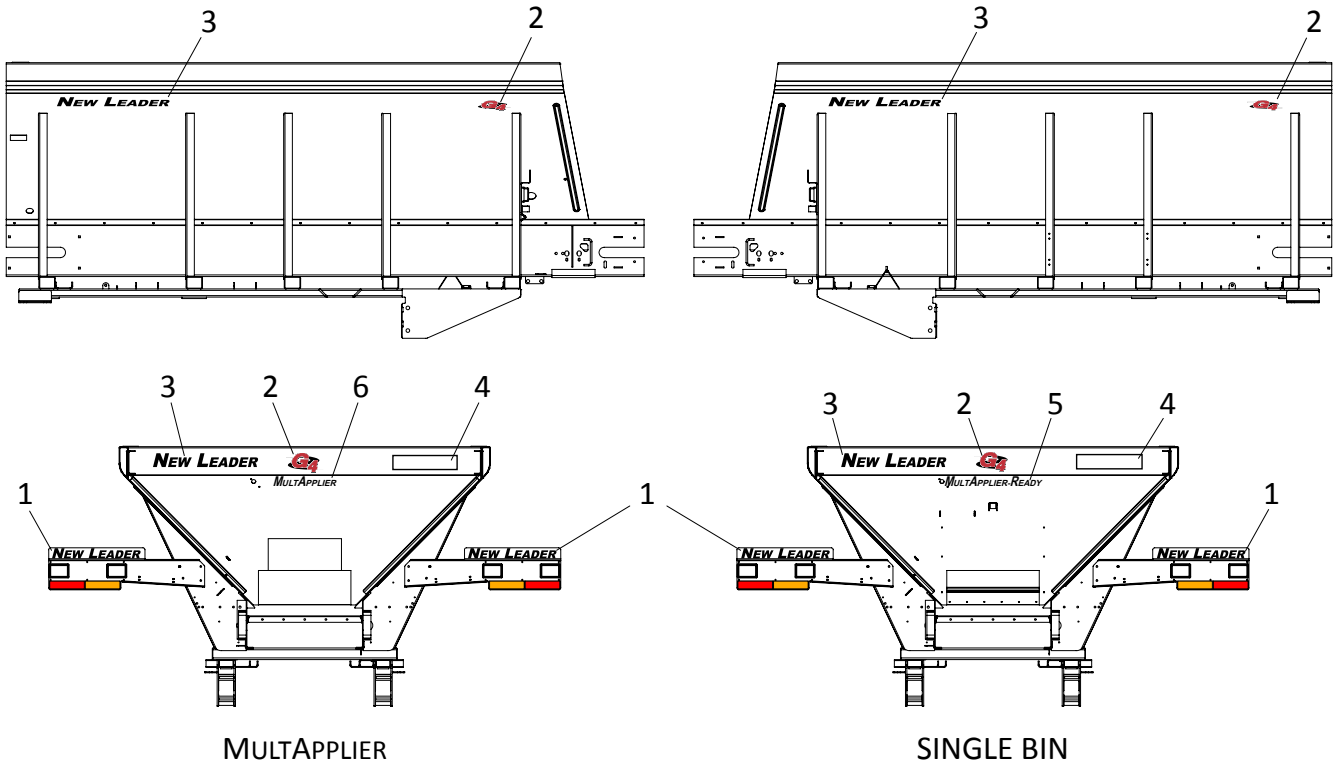
<u>ITEM</u>	<u>PART NO.</u>	<u>DESCRIPTION</u>	<u>QTY</u>
1	305712	Guard – Center 304	1
2	87027-X1	Guard – RH Wldmt	1
3	87031-X1	Guard – LH Wldmt	1
4	36398	Cap Screw – 3/8 x 1 SS	18
5	36425	Washer – Flat 3/8 SS	14
6	36420	Washer – Lock 3/8 SS	12
7	72054	Nut – Lock 3/8 SS	6
8	36414	Nut – Hex 3/8 SS	14
9	87068	Bar - Stiffener 304	2
10	305075	Shield – RH Wldmt	1
11	306686	Shield – LH Wldmt 304 w/ Bracket	1
12	* 97519	Pin – Snap	1
13	305040	Bar – Stiffener Lower 304	2
14	*87109	Decal - Décor G4	1

* - Not Shown

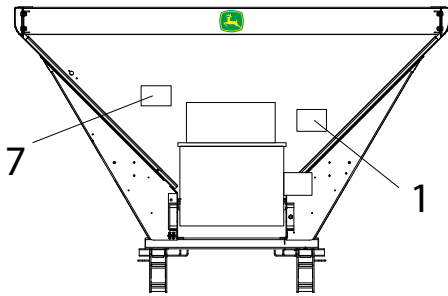
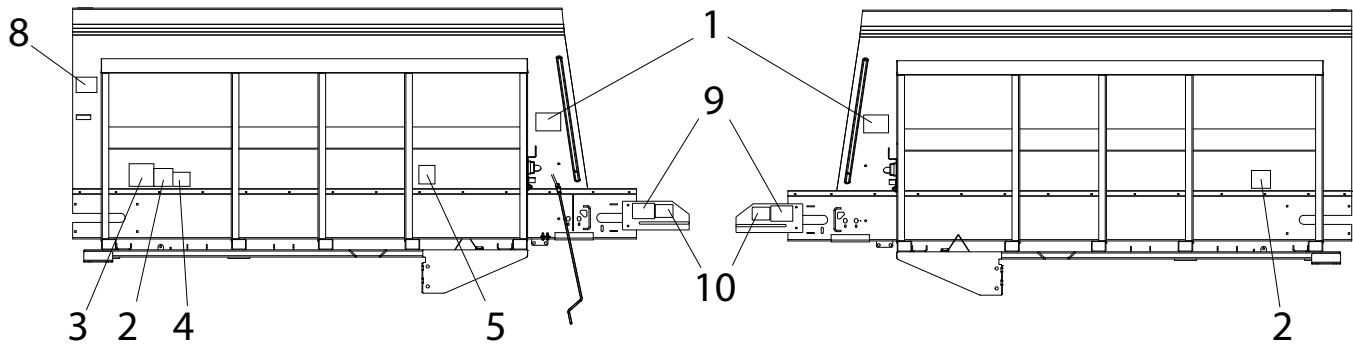
NOTE: Guards are intended to reduce hazard of entanglement with machinery and injury. All guards must be installed per this drawing before spreader is put into operation.



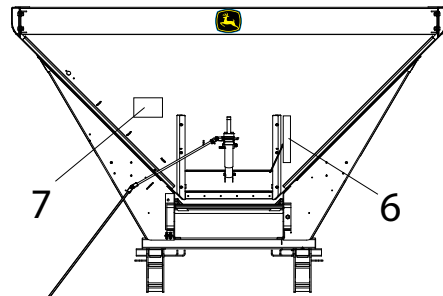
ITEM	PART NO.	DESCRIPTION	QTY
1	84762	Decal – New Leader Black	2
2	305825-AA	Decal – Kit LH & RH JD Stripes	1
3	305826	Decal - JD Leaping Deer Black	1
4	306817	Decal - JD Leaping Deer Green	1



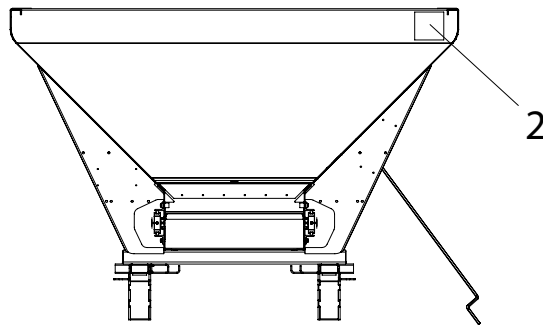
ITEM	PART NO.	DESCRIPTION	QTY
1	84762	Decal – New Leader Black	2
2	87122	Decal – G4 Black/Red	2
3	312561	Decal – New Leader Black	3
4	305018	Decal – L3030G4 Black	1
5	300403	Decal – MULTAPPLIER Ready	1
6	306348	Decal – MULTAPPLIER Black	1



MULTAPPLIER



SINGLE BIN



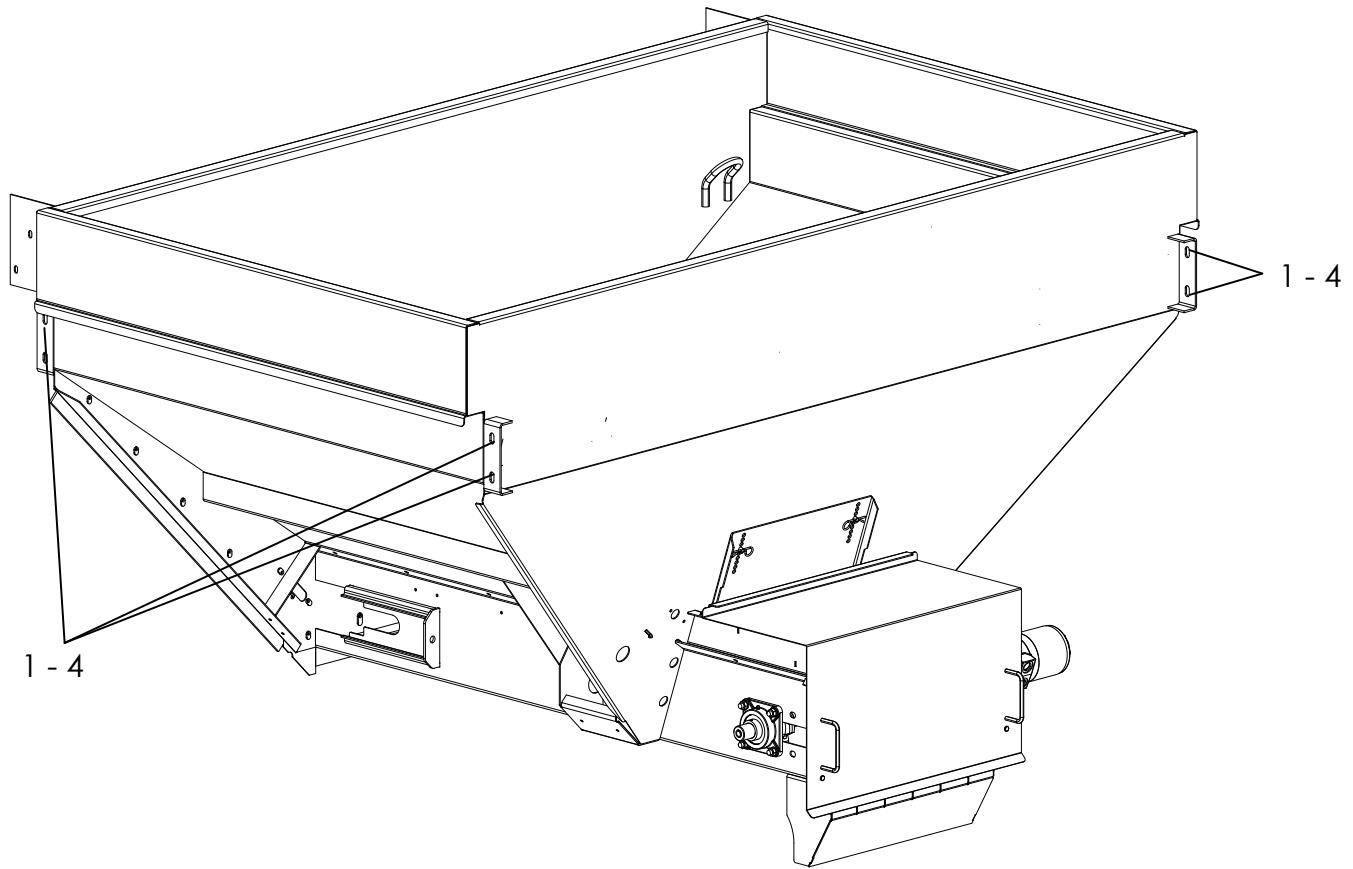
Note: Refer to "Safety Decals" in Safety Section of operator's manual for more details.

DECALS - SAFETY CONTINUED

<u>ITEM</u>	<u>PART NO.</u>	<u>DESCRIPTION</u>	<u>QTY</u>
1	368	Decal – Danger, Flying Material	2
2	364	Decal – Danger, Moving Part	3
3	150034	Decal – Caution, Operation & Maintenance	1
4	321	Decal – Caution, Hazardous Material	1
5	39138	Decal – Warning, High Pressure Fluid	1
6	23769	Decal – Feedgate Ruler Scale 12”	1
7	71526	Decal – Notice, Adjust Spinner	1
8	21477	Decal - Notice, Conveyor Belt Life	1
9	55630	Decal – Warning, Falling Hazard	2
10	55631	Decal – Warning, Moving Part Hazard	3

For additional Safety Decals, see also “Drive and Snubber Guard” and “Guard - Front Cover”



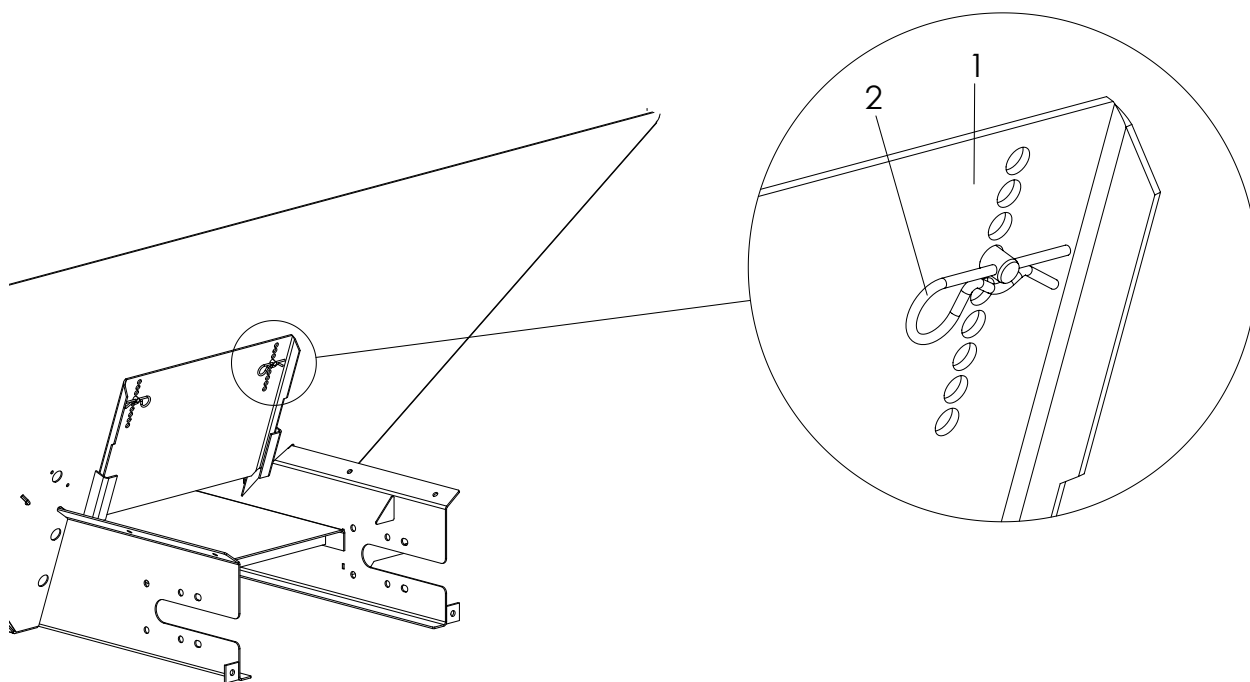


<u>ITEM</u>	<u>PART NO.</u>	<u>DESCRIPTION</u>	<u>QTY</u>
	86951	Hardware - Kit Mount	
1	20128-X1	Cap Screw - 1/2 x 1 1/4 Grade 8	8
2	20695	Washer - Flat 1/2	16
3	20714	Washer - Lock 1/2	8
4	20646	Nut - Hex 1/2	8

AR - As Required

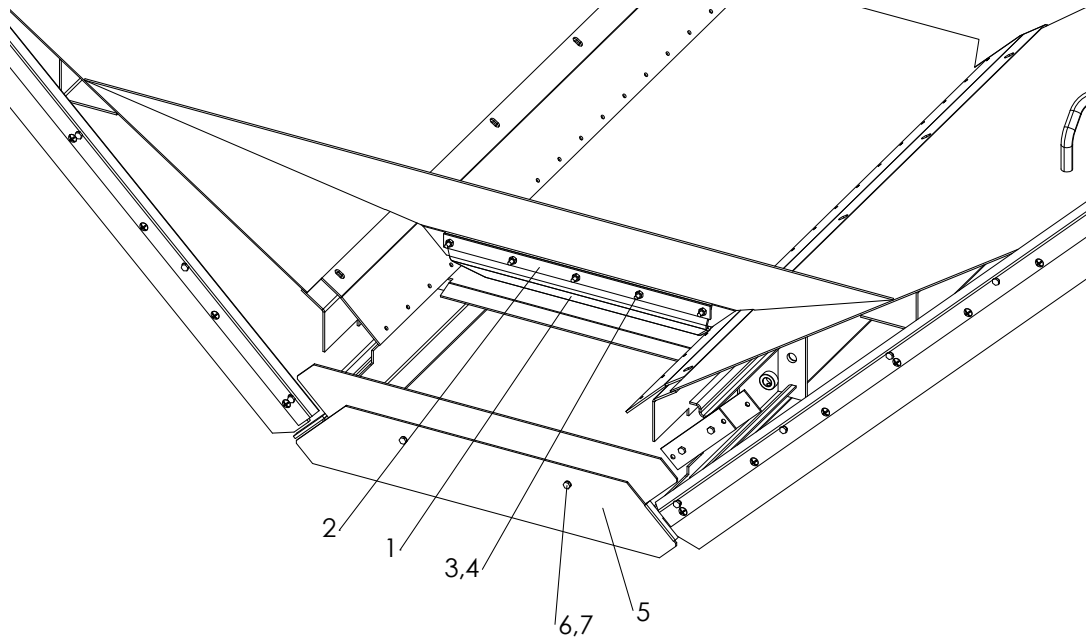
PARTS LIST





<u>ITEM</u>	<u>PART NO.</u>	<u>DESCRIPTION</u>	<u>QTY</u>
1	306579	Panel - Feedgate	1
2	36429	Pin - Hair	2

MULTAPPLIER WIPER & FRONT FEEDGATE - STYLE I



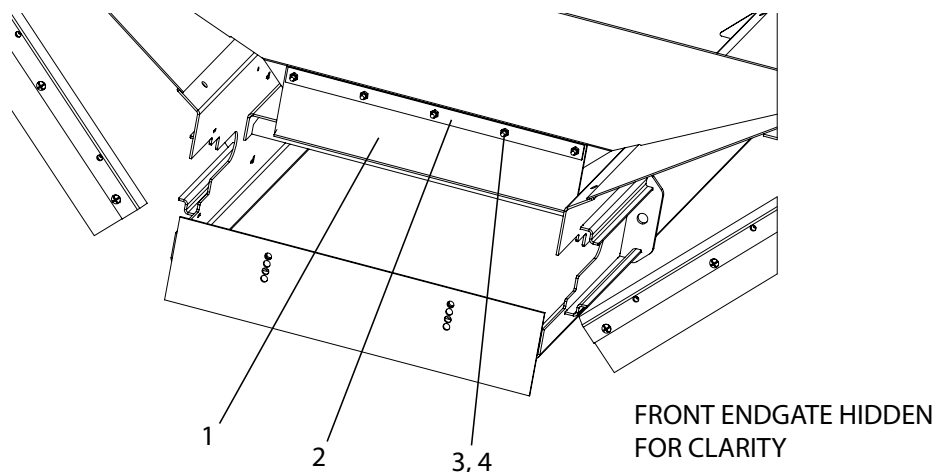
Note: Front endgate removed for clarity.

<u>ITEM</u>	<u>PART NO.</u>	<u>DESCRIPTION</u>	<u>QTY</u>
1	39426	Wiper – Belt Front	1
2	54230	Retainer – Wiper	1
3	42033	Screw - Truss Head 1/4 x 1	5
4	36412	Nut – Hex 1/4	5
5	304811	Feedgate - Panel 1.5"	1
	304812	Feedgate - Panel 2"	1
6	36398	Cap Screw - 3/8 x 1	2
7	36420	Washer - Lock 3/8	2

PARTS LIST



MULTAPPLIER WIPER & FRONT FEEDGATE - STYLE II

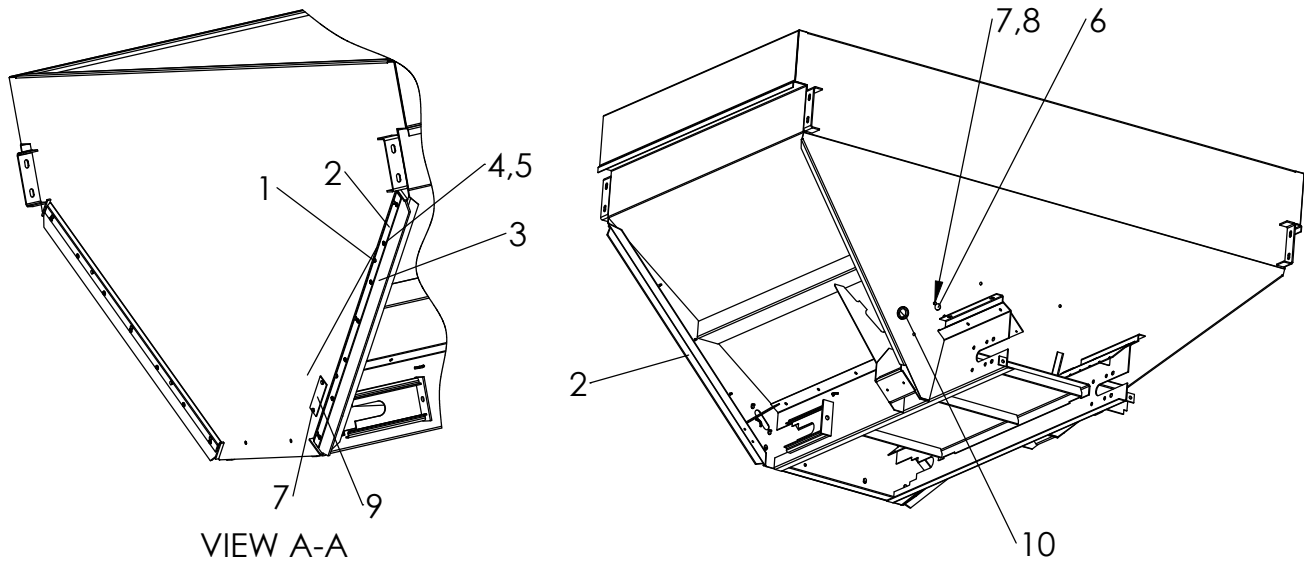


<u>ITEM</u>	<u>PART NO.</u>	<u>DESCRIPTION</u>	<u>QTY</u>
1	39426	Wiper – Belt Front	1
2	54230	Retainer – Wiper	1
3	42033	Screw – Machine 1/4-20NC x 1	5
4	36412	Nut – Hex 1/4-20NC	5

PARTS LIST

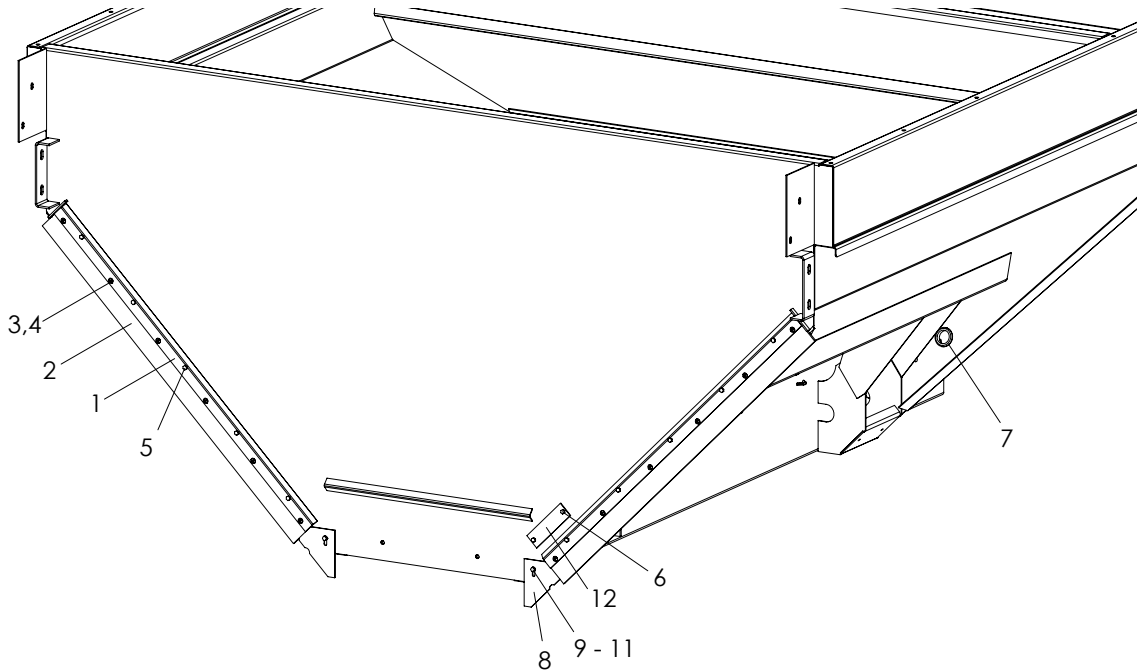


MULTAPPLIERS SEALERS - STYLE I

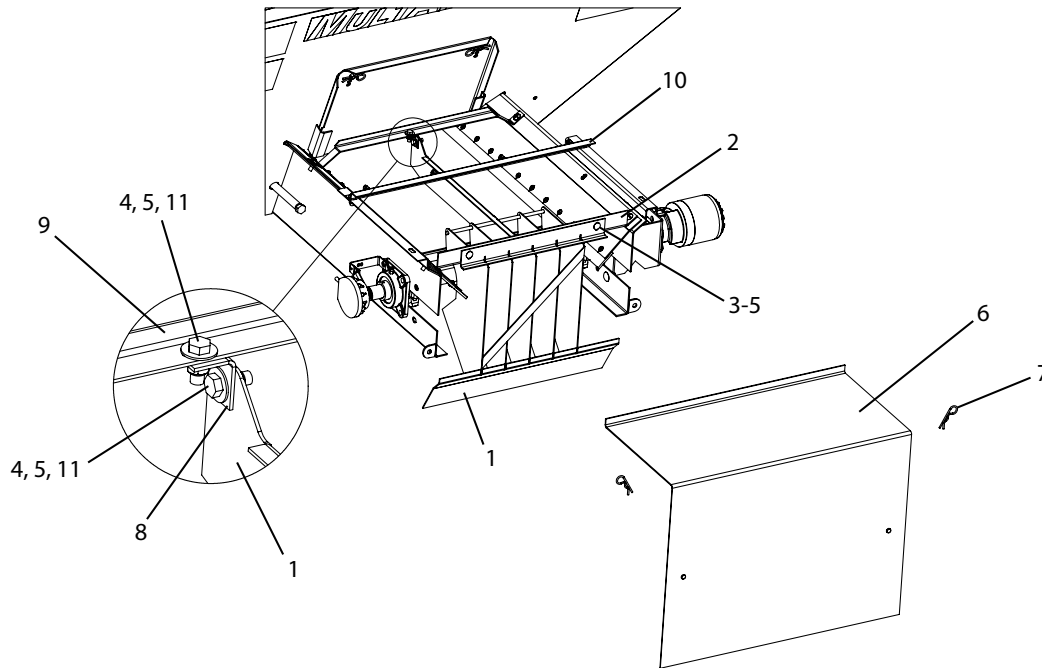


<u>ITEM</u>	<u>PART NO.</u>	<u>DESCRIPTION</u>	<u>QTY</u>
	304808	Seal - Assy, Includes 2-5	2
1	36395	Cap Screw - 1/4-20NC x 1 SS	10
2	304809	Retainer - Seal 304	1
3	304810	Seal - 3 x 1/4 x 42-1/4	1
4	88931	Nut - Tee 1/4 x 1/4	7
5	56258	Screw - Truss Head 1/4-20 x 1/2 SS	7
6	305832	Plate - Bin Sensor	1
7	36393	Cap Screw - 1/4-20NC x 3/4 SS	4
8	42034	Nut - Lock 1/4-20 SS	2
9	307125	Plate - Bin Sensor 304	1
10	34129	Grommet - Rubber	1

PARTS LIST

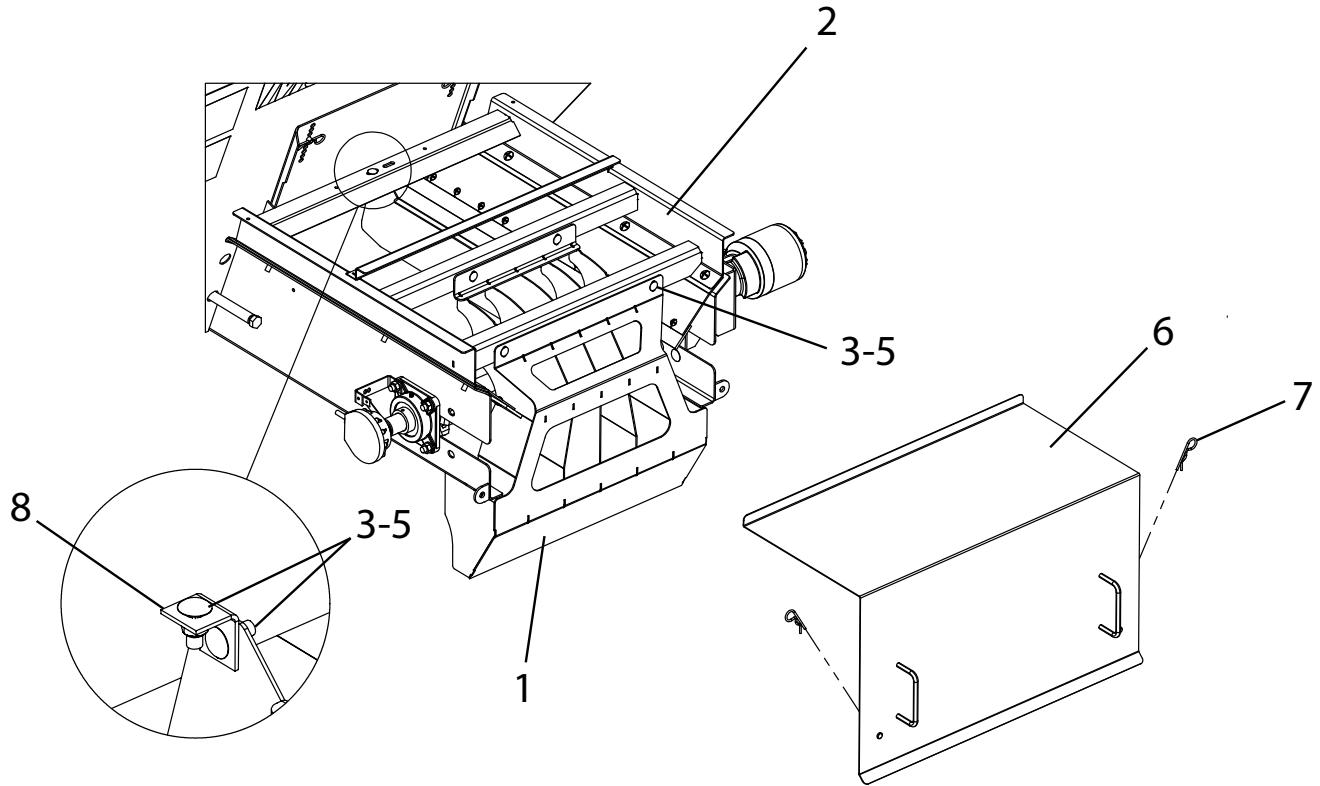


<u>ITEM</u>	<u>PART NO.</u>	<u>DESCRIPTION</u>	<u>QTY</u>
	312729	Seal - Assy, Includes 1-4	2
1	312730	Retainer - Seal 304	1
2	312731	Seal - 3 x 1/4 x 57-11/16	1
3	56258	Screw - Truss Head 1/4-20NC x 1/2 SS	6
4	88931	Nut - Tee 1/4 x 1/4	6
5	36395	Cap Screw - 1/4-20NC x 1 SS	10
6	36393	Cap Screw - 1/4-20NC x 3/4 SS	2
7	34129	Grommet - Rubber	1
8	306707	Sealer - Endgate Bolt-In 304	2
9	36418	Washer - Lock 1/4 SS	2
10	40750	Cap Screw - 1/4-20NC x 1-1/4 SS	2
11	36423	Washer - Flat 1/4 SS	2
12	307125	Plate - Bin Sensor 304	1



<u>ITEM</u>	<u>PART NO.</u>	<u>DESCRIPTION</u>	<u>QTY</u>
1	310503	Hillside Divider Wldmt 304	1
2	86825	Support - Divider 304	1
3	36408	Bolt - Carriage 3/8-16NC x 1 SS	4
4	36425	Washer - Flat 3/8 SS	4
5	72054	Nut - Lock 3/8-16NC SS	4
6	98562	Cover - Wldmt Rear 304	1
7	36429	Pin - Hair	2
8	306575	Clamp - Angle 304	1
9	306576	Support - Divider 304	1
10	98555	Hold Down - Cover Rear 304	1
11	36398	Cap Screw - 3/8-16 NC x 1 SS	2

Note: Use chain shield hardware to attach Items 2 & 9 to sills.

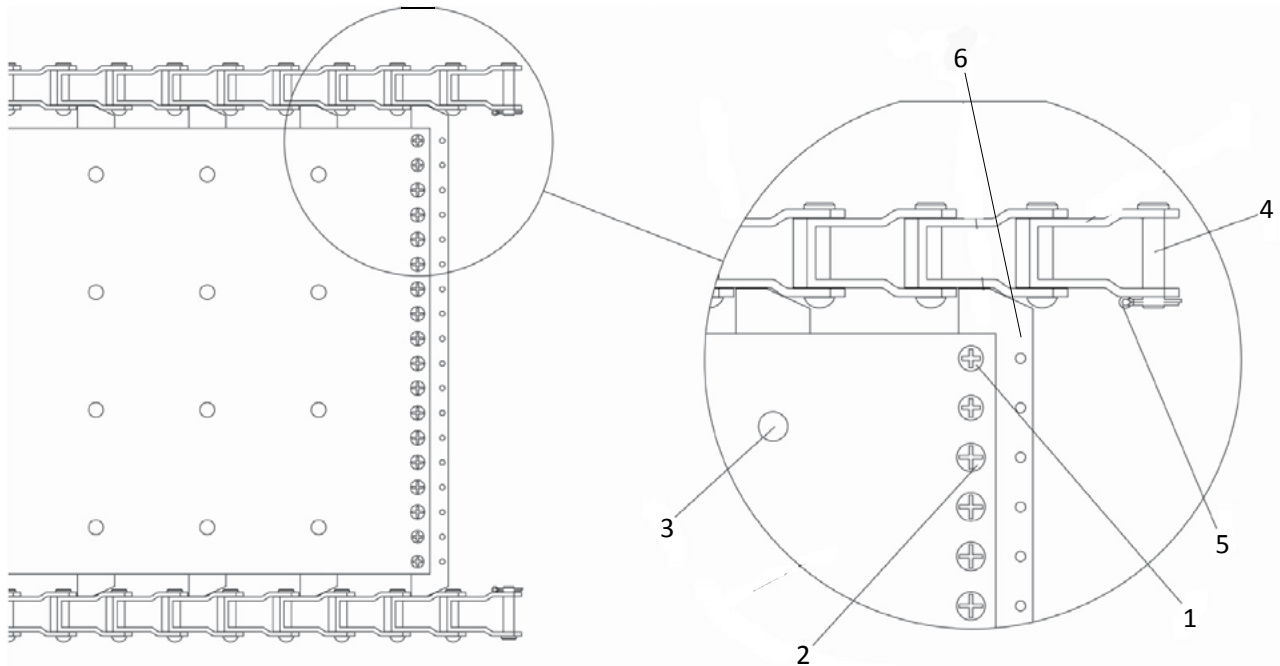


ITEM	PART NO.	DESCRIPTION	QTY
1	312348	Hillside Divider Wldmt 304	1
2	312350	Support - Hillside Divider Wldmt 304	1
3	36408	Bolt - Carriage 3/8-16NC x 1 SS	4
4	36425	Washer - Flat 3/8 SS	4
5	72054	Nut - Lock 3/8-16NC SS	4
6	311444	Cover - Wldmt Rear 304	1
7	36429	Pin - Hair	2
8	306575	Clamp - Angle 304	1



Please Give Part No., Description
& Unit Serial No.

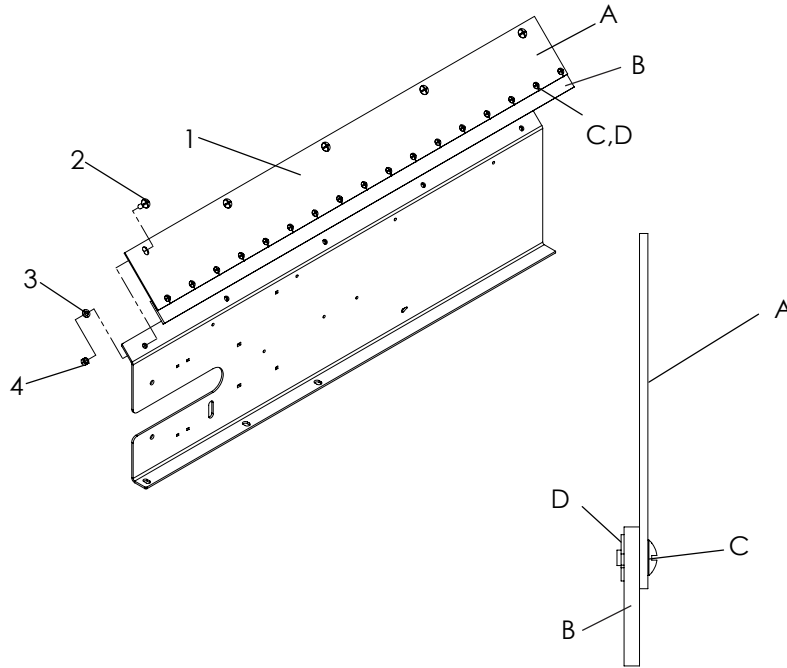
MULTAPPLIER #4 BELT-OVER-CHAIN



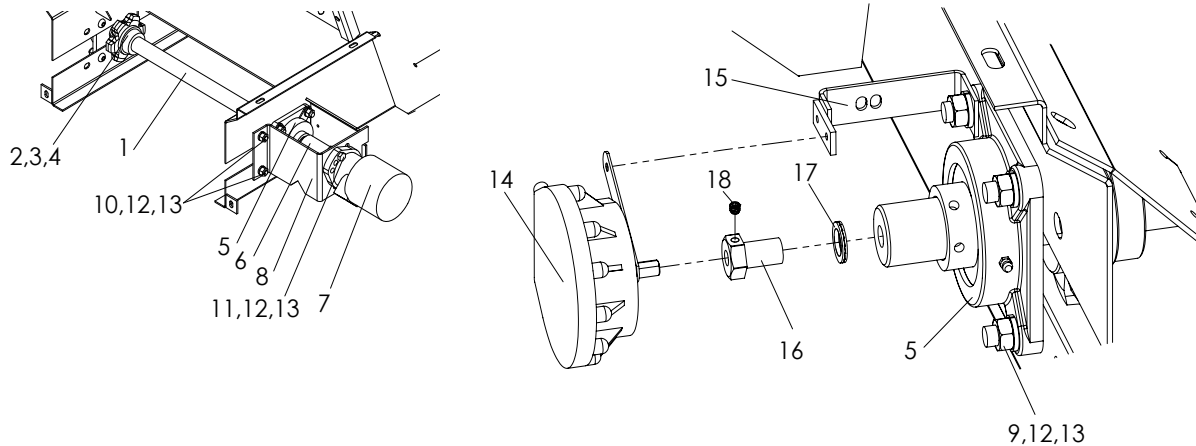
ITEM	PART NO.	DESCRIPTION	QTY
	308712-AA	Chain Wldmt - 5', Includes Items 1 - 6	1
1	20617	Screw - Flat 1/4-20NC x 1/2	8
2	20624	Screw - Truss Head 1/4-20NC x 1/2	28
3	308534	Screw - 1/4 x 1/2-20NC	AR
4	21118	Pin - Chain Pintle	2
5	20817	Pin - Cotter	2
6	70473	Bar - Splicer	1

PARTS LIST





<u>ITEM</u>	<u>PART NO.</u>	<u>DESCRIPTION</u>	<u>QTY</u>
1	86876	Shield – Chain Assy - 5' Unit	2
A	86798	Shield – Chain - 5' Unit	2
B	305975	Belting – Sealer, specify length	AR
C	56258	Screw – Truss Head 1/4-20 x 1/2	AR
D	88931	Nut – Tee 1/4 x 1/4	AR
2	71829	Screw – Machine 3/8-16 x 1 SS	AR
3	36420	Washer – Lock 3/8 SS	AR
4	36414	Nut – Hex 3/8-16 SS	AR
AR – As Required			

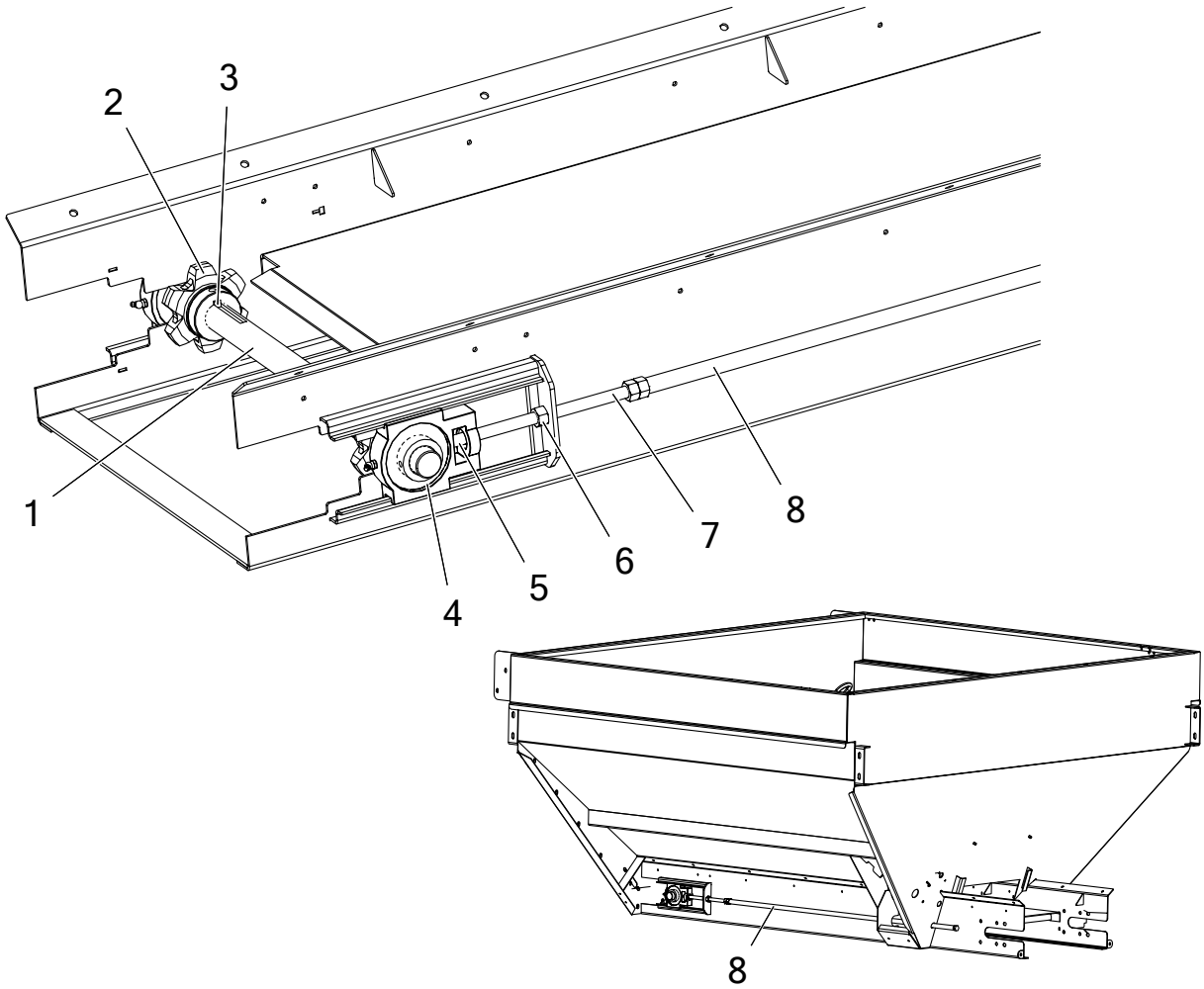


<u>ITEM</u>	<u>PART NO.</u>	<u>DESCRIPTION</u>	<u>QTY</u>
	86759-X1	Shaft - Drive Assy, Includes Items 1-5	
1	310644	Shaft - Drive	1
2	86757	Sprocket	2
3	6131	Key - Square	2
4	20743	Screw - Set	4
5	6697	Bearing	2
6	86762	Coupling - Shaft	1
	*4059	Key - Square 5/16 x 1-1/2	1
7	311056	Motor - Hydraulic 29.1 CID	1
	*56327	Seal Kit	1
8	86766	Mount - Motor	1
9	304484	Screw - Button Head 1/2-13NC x 1-1/2 SS	8
10	72056	Bolt - Carriage 1/2-13NC x 1 SS	2
11	36539	Cap Screw - 1/2-13NC x 1-1/2 SS	2
12	36422	Washer - Lock 1/2 SS	12
13	36416	Nut - Hex 1/2 SS	12
14	303994	Encoder - Conveyor 180	1
15	304953-X1	Bracket - Encoder	1
16	310601	Coupler - Rate Sensor	1
17	310602	Washer - Special Lock	1
18	310603	Screw - Set 1/4-20NC x 5/16 SS	1

* - Not Shown

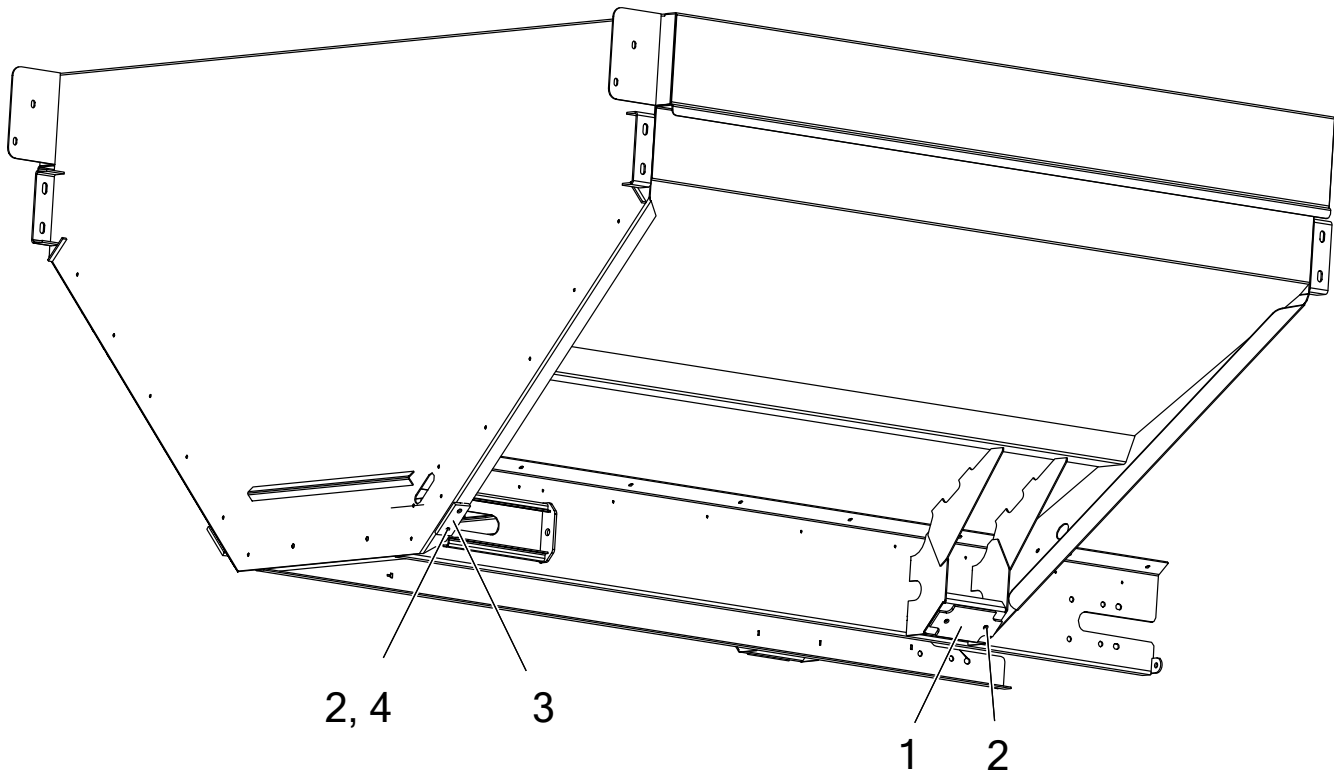
PARTS LIST





ITEM	PART NO.	DESCRIPTION	QTY
	89780	Shaft - Idler Assy, Includes 1-5	
1	89779	Shaft - Idler	1
2	86757	Sprocket	2
	20743	Screw - Set 5/16-18NC x 3/8	4
3	6131	Key - Square	2
4	22511	Bearing	2
5	17078	Collar - Set	2
6	87856	Nut Wldmt 304	2
7	87857	Bolt Wldmt	2
8	306974	Extended Idler - Pipe Wldmt Adj 5' 304	2

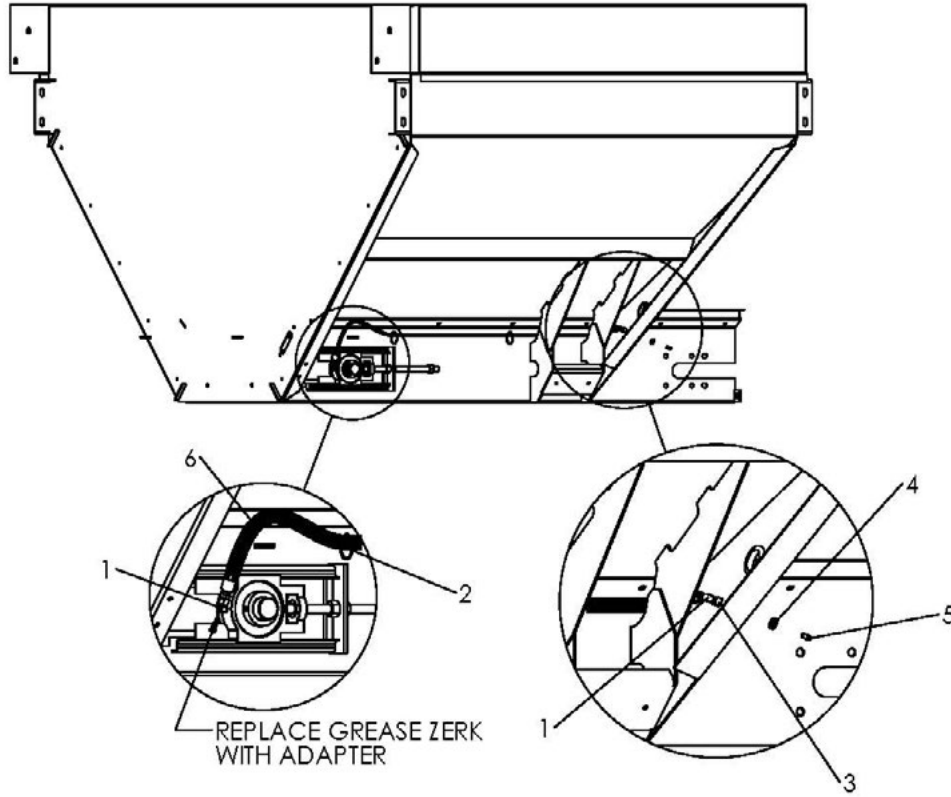
* - Not Shown



<u>ITEM</u>	<u>PART NO.</u>	<u>DESCRIPTION</u>	<u>QTY</u>
1	306924	Mount - Foot Pad	2
2	47268	Screw - Flathead 1/4-20 x 1 SS	8
3	307097	Mount - Pad	2
4	42034	Nut - Lock 1/4-20 SS	4

PARTS LIST

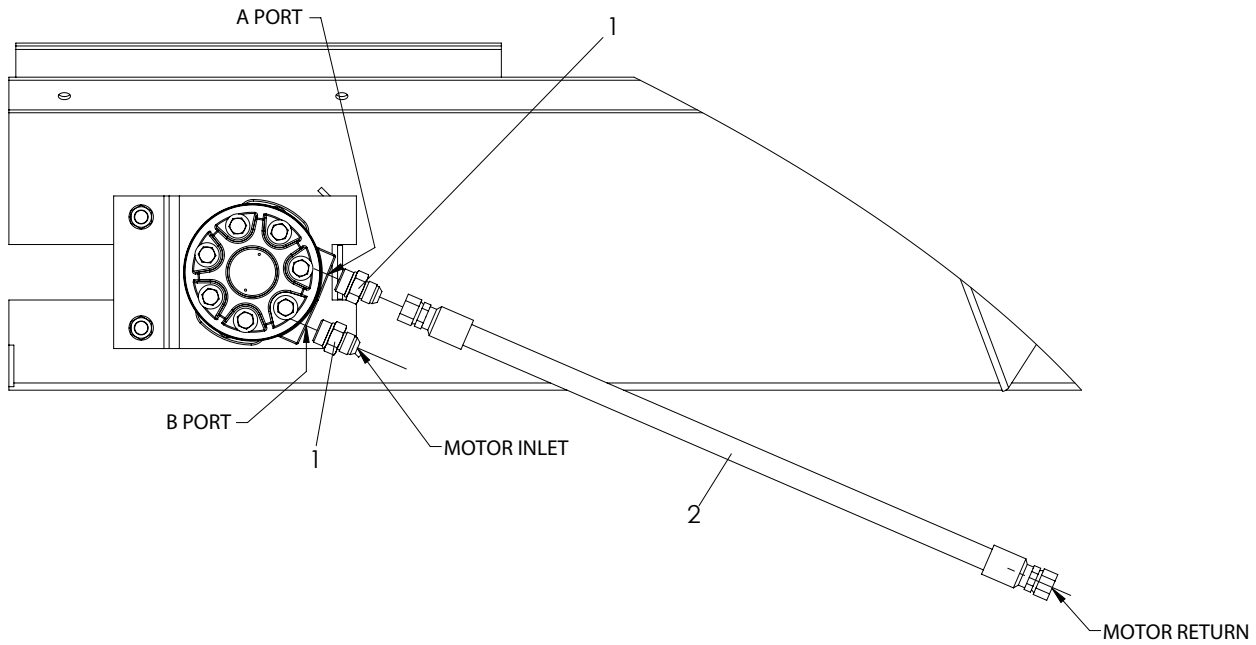




ITEM	PART NO.		DESCRIPTION	QTY
	Style I	Style II		
1	34734	34734	Adapter - Elbow	4
2	99674	311806	Tie - Cable	AR
3	301332	301332	Connector - Bulkhead	2
4	301333	301333	Nut - Lock Connector	2
5	6072	6072	Zerk - Grease	2
6	307131	307131	Hose - Assembly 5'	2

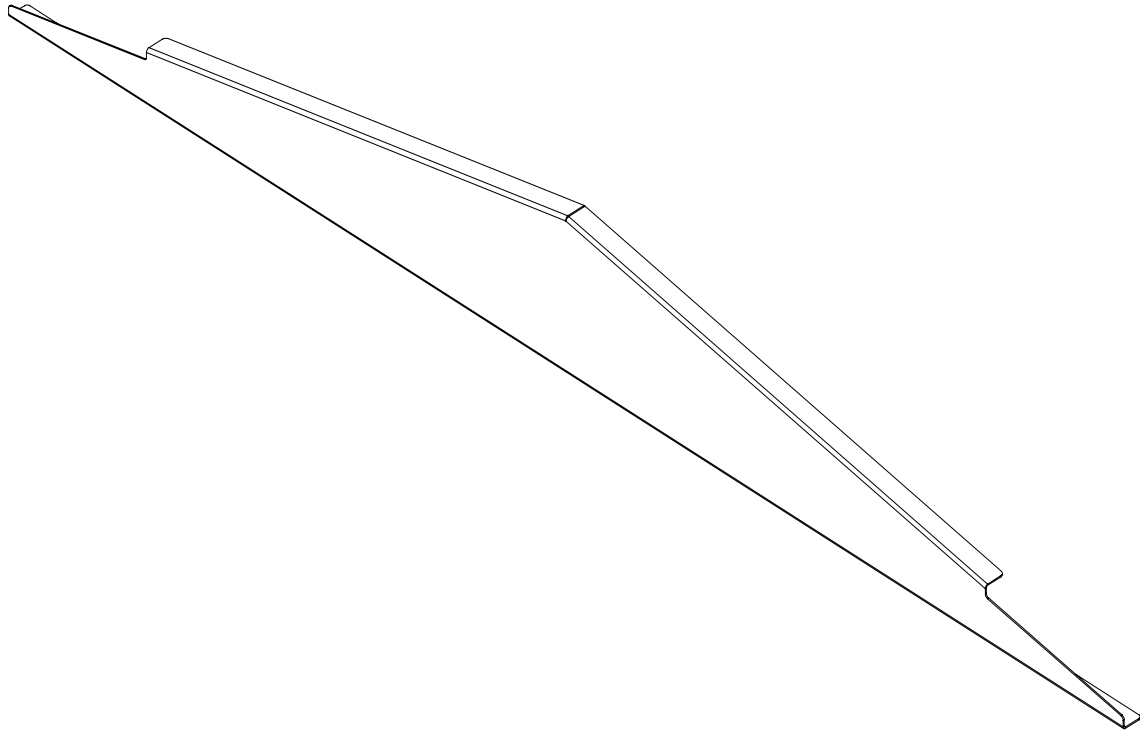
AR - As Required





<u>ITEM</u>	<u>PART NO.</u>	<u>DESCRIPTION</u>	<u>QTY</u>
1	306740	Fitting - 8-10 070120S 304	2
2	310584	Hose - Assy 1/2 100R1 x 25-1/2" SS	1

PARTS LIST



<u>ITEM</u>	<u>PART NO.</u>	<u>DESCRIPTION</u>	<u>QTY</u>
1	313410	Panel - Divider MultApplier	1

This page is intentionally left blank.