

NEW LEADER

MODEL JOHN DEERE 4900 SERIES L3220G4 / MULTAPPLIER Parts List

UNIT SERIAL NO. _____

MULTAPPLIER SERIAL NO. _____

MANUAL NUMBER: 302799-AB-M

EFFECTIVE 08/2016



Highway Equipment Company

Building the best since 1939.

1330 76TH AVE SW

CEDAR RAPIDS, IA 52404-7052

PHONE (319) 363-8281 | FAX (319) 286-3350

www.highwayequipment.com

For Additional information, please visit (Online users direct click links):

Service Videos: http://www.highwayequipment.com/customer_support/service-videos/

Warranty Registration and Claims Request: <http://www.highwayequipment.com/dealer-portal/unit>
(Dealer Use Only)

Copyright 2009 Highway Equipment Company, Inc.

TABLE OF CONTENTS

Table of Contents	2
Interactive Features	4
Instructions for Ordering Parts	5
Body	6
Inverted "V"	6
Bin Sensors	7
Light Kits	8
Beacon	9
Body Hydraulics	10
Multiplier Ready Hydraulics	10
Multiplier Complete Hydraulics	14
Conveyor	16
#4 BOC Conveyor	16
#4 BOC Chain Shields	17
#4 BOC Conveyor Idler	18
#4 BOC Conveyor Drive	19
Gearcase Assembly	20
Gearcase - Single Pinion	21
Gearcase Breather Tube	22
Encoder	23
#4 Conveyor chain Oiler	24
Wiper Front	25
Brush Kit - #4 BOC	26
Conveyor Pan 304	27
Guard - Front Cover	28
Feedgate	30
Removable Endgate, Feedgate & Jack	30
Spinners	32
Material Divider	32
Hillside Divider	33
Anti-Slab	34
Spinner Assembly	36
Spinner Sensor	39
Spinner Guards & Deflectors	40
Decals	42
Decor Painted Body	42
Decor Non-Painted Body	43
Decals - Safety	44



MultApplier.....	46
Mounting Hardware.....	46
MULTAPPLIER Rear Feedgate.....	47
MULTAPPLIER Wiper & Front Feedgate - Style I.....	48
MULTAPPLIER Wiper & Front Feedgate - Style II.....	49
MULTAPPLIER Sealers - Style I.....	50
MULTAPPLIER Sealers - Style II.....	51
MULTAPPLIER Hillside Divider & Conveyor Cover - Style I.....	52
MULTAPPLIER Hillside Divider & Conveyor Cover - Style II.....	53
MULTAPPLIER #4 Belt-over-chain.....	54
MULTAPPLIER Chain Shields.....	55
MULTAPPLIER Conveyor Drive & encoder.....	56
MULTAPPLIER Conveyor Idler.....	57
MULTAPPLIER Mounts.....	58
MULTAPPLIER idler Grease zerks.....	59
MULTAPPLIER Hydraulics.....	60



NOTE:

This manual incorporates several interactive features to provide supplemental information and ease of navigation. The information below is to aid in the identification and use of these features.

Hyperlinks

Hyperlinks provide direct access to a specific destination when clicked. The entire Table of Contents of this manual is hyperlinked to provide quick access to all sections of this manual when viewing the electronic version.

Hyperlinks within the content are denoted by **blue, bold underlined text**. Electronic format viewers can click these links for direct access to New Leader online features. Internet access is required.

Quick Reference (QR) Codes

Quick reference codes provide direct access to a specific destination when activated. An example is provided below. In the printed version of this manual, viewers may scan the codes with a supporting mobile device for direct access to New Leader online features. Mobile data is required.

The electronic version of this manual provides the option to scan codes on-screen, or to click the code like a button. Internet access/mobile data is required.



Click or Scan - Highwayequipment.com



Order from the **AUTHORIZED DEALER** in your area.

1. Always give the pertinent model and serial number.
2. Give part name, part number and the quantity required.
3. Give the correct address to where the parts are to be shipped, and the carrier if there is a preference.

Unless claims for shortages or errors are made immediately upon receipt of goods they will not be considered. Any part returns should be directed through the dealer from which they were purchased.

When broken goods are received, a full description of the damage should be made by the carrier agent on the freight bill. If this description is insisted upon, full damage can always be collected from the transportation company.

No responsibility is assumed for delay or damage to merchandise while in transit. Our responsibility ceases upon delivery of shipment to the transportation company from whom a receipt is received showing that shipment was in good condition when delivered to them, therefore, claims (if any) should be filed with the transportation company and not with Highway Equipment Company.

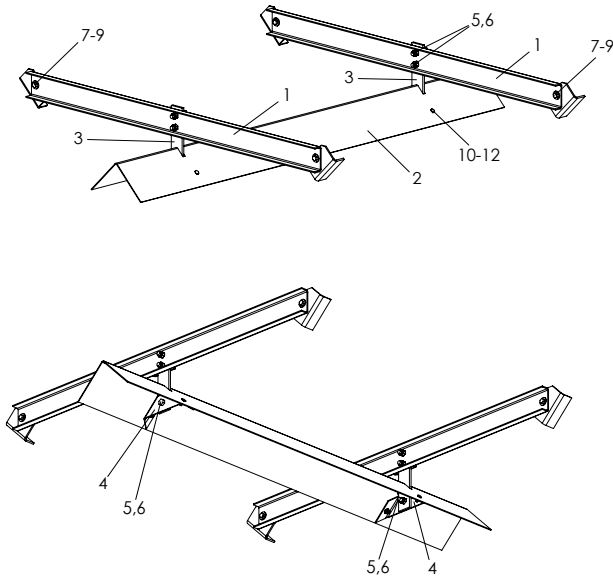
If your claims are not being handled (by the transportation company) to your satisfaction, please call our Product Sales & Support Department at Highway Equipment Company at 888-363-8006 for assistance.

In the parts list the following symbols and abbreviations stand for:

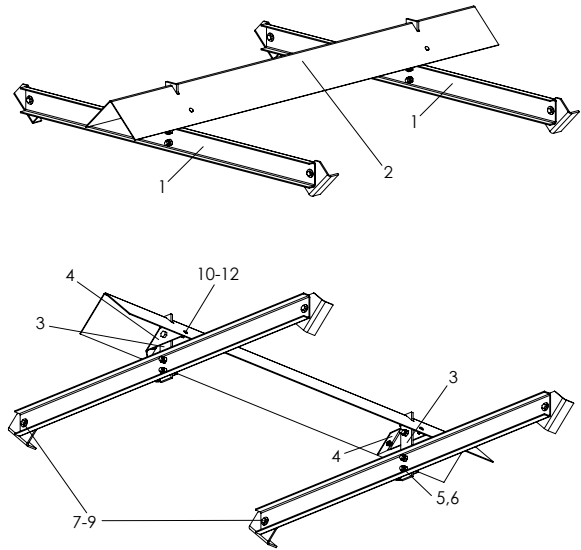
- * - Not Shown
- AR – As Required
- CS – Carbon Steel
- SS – Stainless Steel
- NS – Not Serviced

The parts listed under the different steel types (CS, 409 SS and 304 SS) are for that type of unit and do not necessarily mean the part is made of that type of steel.





STANDARD (LOWER) ASSY



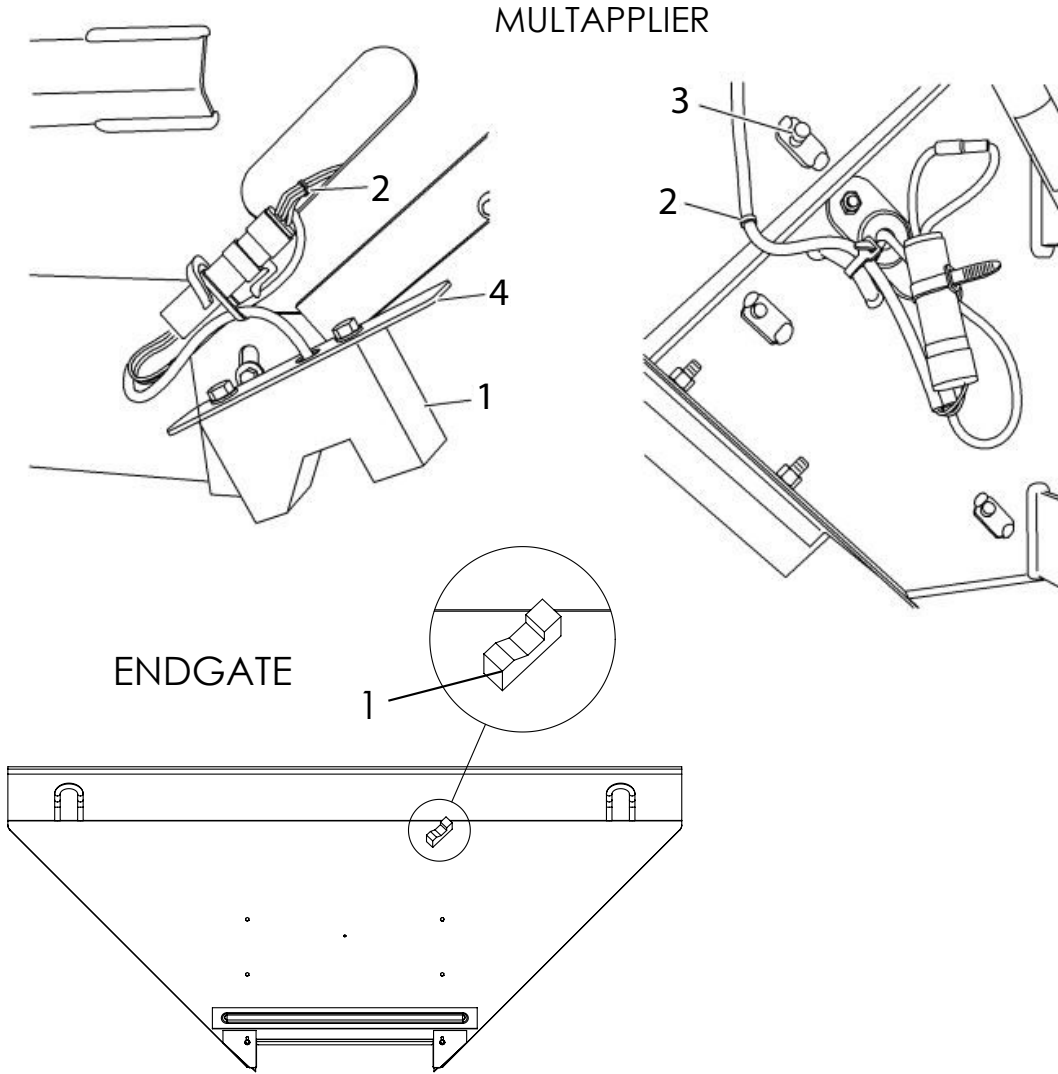
HIGH YIELD ASSY



Click image to play assembly video.

<u>ITEM</u>	<u>PART NO.</u>	<u>DESCRIPTION</u>	<u>QTY</u>
1	81262	Hanger – V Wldmt 409 SS	3
	81263	Hanger – V Wldmt 304 SS	
2	82618	Inverted V - 7' (11' Units) 409 SS	1
	82622	Inverted V - 7' (11' Units) 304 SS	
3	308646	Bar – Adjusting	3
4	302371	Bracket – V Bolt-on	3
5	58800	Cap Screw – 5/8-11NC x 1-3/4 SS	9
6	41762	Nut - Lock 5/8-11NC SS	9
7	36402	Cap Screw - 1/2-13NC x 1-1/4 SS	6
8	36426	Washer - Flat 1/2 SS	6
9	39016	Nut - Lock 1/2-13NC SS	6
10	42639	Bolt - Carriage 5/16-18NC x 1 SS	6
11	36424	Washer - Flat 5/16 SS	6
12	42221	Nut - Lock 5/16-18NC SS	6





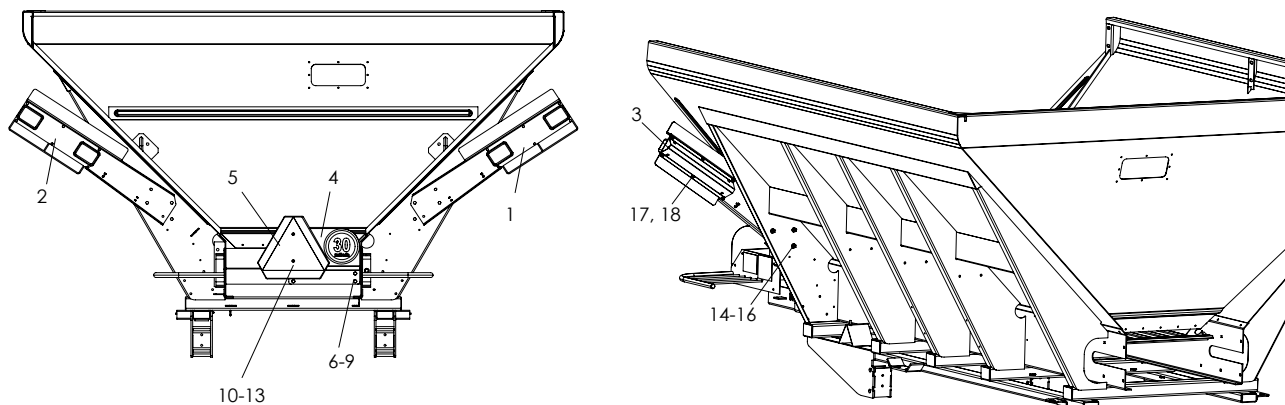
Click or Scan - Bin Sensor Test Procedure

<u>ITEM</u>	<u>PART NO.</u>	<u>DESCRIPTION</u>	<u>QTY</u>
1	98787-AB	Sensor - Bin Level w/ 18" Lead	AR
2	307130	Cable - Jumper 102"	AR
3	36393	Cap Screw - 1/4-20NC x 3/4 SS	AR
4	307124	Mount - Sensor 304	AR

* - Not Shown



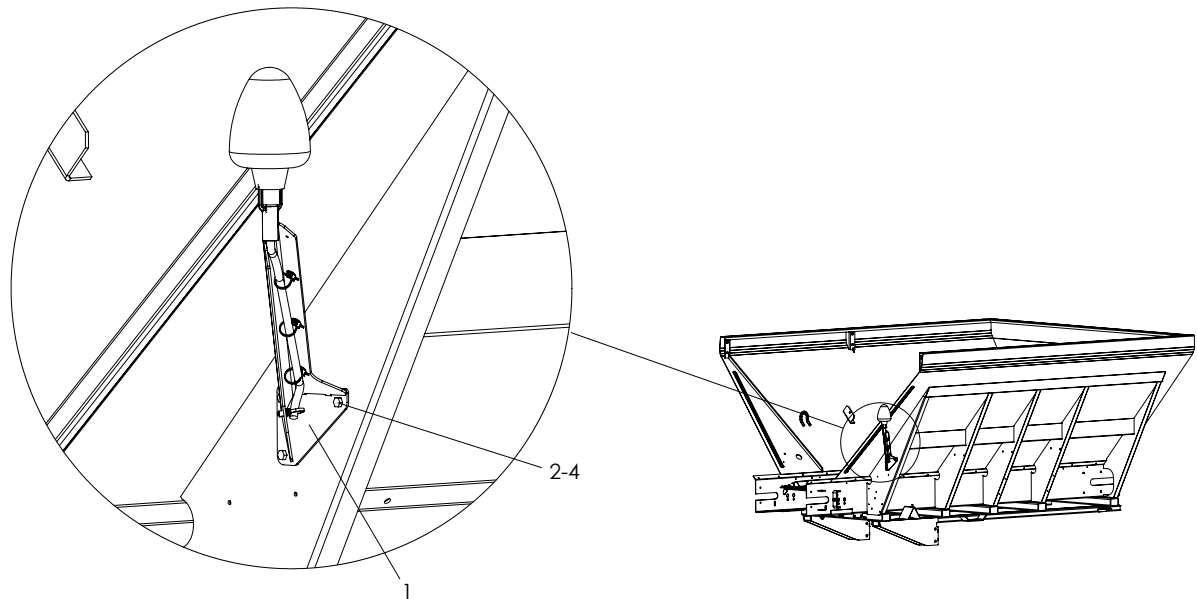
LIGHT KITS



<u>ITEM</u>	<u>PART NO.</u>	<u>DESCRIPTION</u>	<u>QTY</u>
1	306802-AB	Bracket – Tail Light RH 304	1
2	306802-AA	Bracket – Tail Light LH 304	1
3	308882	Shield - Light 304	2
4	305711	Plate - SMV Mounting	1
5	305229	Sign - SMV	1
6	42639	Bolt - Carriage 5/16-18NC x 1 SS	4
7	36424	Washer - Flat 5/16 SS	4
8	36419	Washer - Lock 5/16 SS	4
9	36413	Nut - Hex 5/16-18NC SS	4
10	32446	Screw - Truss Head 1/4-20NC x 3/4 SS	2
11	36423	Washer - Flat 1/4 SS	2
12	36418	Washer - Lock 1/4 SS	2
13	36412	Nut - Hex 1/4-20NC SS	2
14	36398	Cap Screw - 3/8-16NC x 1 SS	6
15	36425	Washer - Flat 3/8 SS	6
16	72054	Nut - Lock 3/8-16NC SS	6
17	36394	Cap Screw - 1/4-20NC x 7/8 SS	12
18	42034	Nut - Lock 1/4-20NC SS	12
19	*309724	Bundle - Lighting NA	1

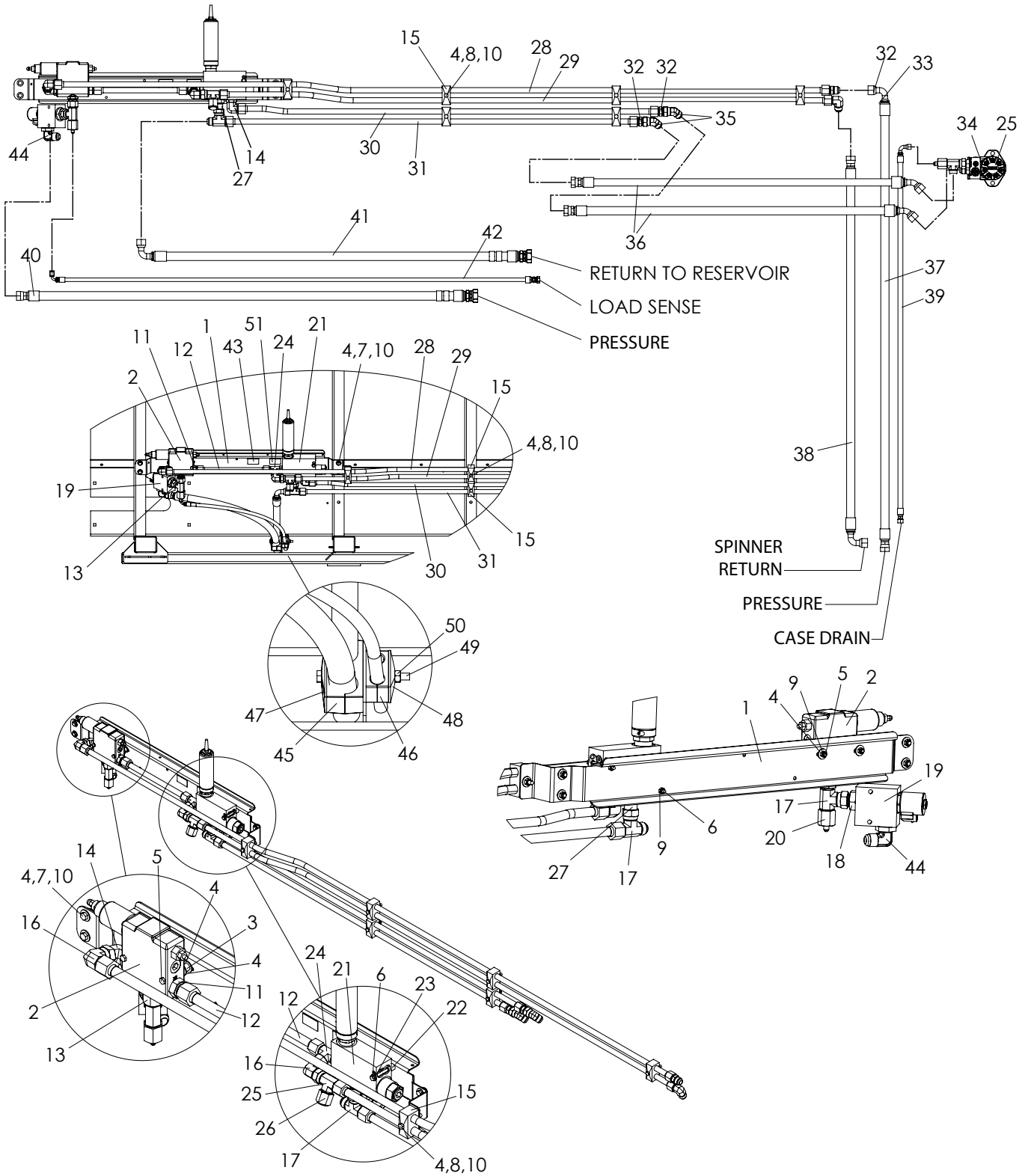
* - Not Shown





<u>ITEM</u>	<u>PART NO.</u>	<u>DESCRIPTION</u>	<u>QTY</u>
1	308891	Support - Wldmt Beacon 304	1
2	36398	Cap Screw - 3/8-16NC x 1SS	3
3	36425	Washer - Flat 3/8 SS	3
4	72054	Nut - Lock 3/8-16NC SS	3
5	*309908	Beacon Bundle - includes wiring harness & beacon light	1

*not shown



PARTS LIST



<u>ITEM</u>	<u>PART NO.</u>	<u>DESCRIPTION</u>	<u>QTY</u>
1	309604	Bracket - Valve 304	1
2	32485-X1	Valve - Control PWM	1
3	70341-X1	Pipe - Spacer 1/2	2
4	36424	Washer - Flat 5/16 SS	20
5	36396	Cap Screw - 1/4-20NC x 3 SS	2
6	56396	Cap Screw - 1/4-20NC x 3-1/4 SS	2
7	56858	Cap Screw - 5/16-18NC x 3/4 SS	4
8	71830	Cap Screw - 5/16-18NC x 2-1/2 SS	6
9	42034	Nut - Lock 1/4-20NC SS	4
10	42221	Nut - Lock 5/16-18NC SS	10
11	29789	Fitting - 12-12 070120	1
12	307449	Tube - .75 OD x 12" ASSY 304	1
13	29788	Fitting - 12-12 S 1040-30 Non Standard	1
14	29847	Fitting - 12-12 070220	2
15	75036	Clamp - Tubing Twin .75	6
16	34709	Fitting - 12-12 070221	2
17	29809	Fitting - 12-12-12 070433	2
18	29835	Fitting - 12-16 070120	1
19	310599	Valve - Solenoid	1
20	56353	Fitting - 12-4 070123	1
21	306278	Valve - Assy Control 25 GPM SFP	1
22	302098	Washer - Step 1/4	2
23	302097	Washer - Step 1/4	2
24	29791	Fitting - 12-12-12 070428	1
25	29781	Fitting - 12-12-12 070432	2
26	29801	Fitting - 12 070112	1
27	303226	Fitting - 12-12 Special	1
28	309605	Tube - .75 OD x 114" Assy 304	1
29	309606	Tube - .75 OD x 91" Assy 304	1
30	305027-AA	Tube - .75 OD x 60" Assy 304	1
31	309607	Tube - .75 OD x 57" Assy 304	1
32	29817	Fitting - 12-12 070101	3
33	29785	Fitting - 12-12 070201	1
34	56407	Fitting - 12-6 070123	1
35	29782	Fitting - 12-12 070321	2
36	309612	Hose - Assy 3/4 100R2 x 55"	2
37	56135	Hose - Assy 3/4 100R2 x 65"	1
38	77849	Hose - Assy 3/4 100R2 x 54-1/2"	1

HYDRAULICS - MULTAPPLIER READY CONTINUED

<u>ITEM</u>	<u>PART NO.</u>	<u>DESCRIPTION</u>	<u>QTY</u>
39	310647	Hose - Assy 3/8 100R1 x 53"	1
40	309621	Hose - Assy 3/4 100R12 x 65"	1
41	309624	Hose - Assy 3/4 100R1 x 55"	1
42	309633	Hose - Assy 1/4 100R2 x 68-3/4"	1
43	309775	Decal - Bin 2	1
44	29829	Adapter - Elbow 90°	1
45	305266	Clamp - Hose 1.18 Double	1
46	310581	Clamp - Tubing Twin .59	1
47	305267	Plate - Cover Hose Clamp 304	1
48	310582	Plate - Cover Hose Clamp 304	1
49	310583	Cap Screw - 5/16-18NC x 4 SS	1
50	36413	Nut - Hex 5/16-18NC SS	1
51	309774	Decal - Bin 1	1
52	*310648	Tie - Dual Clamp	5

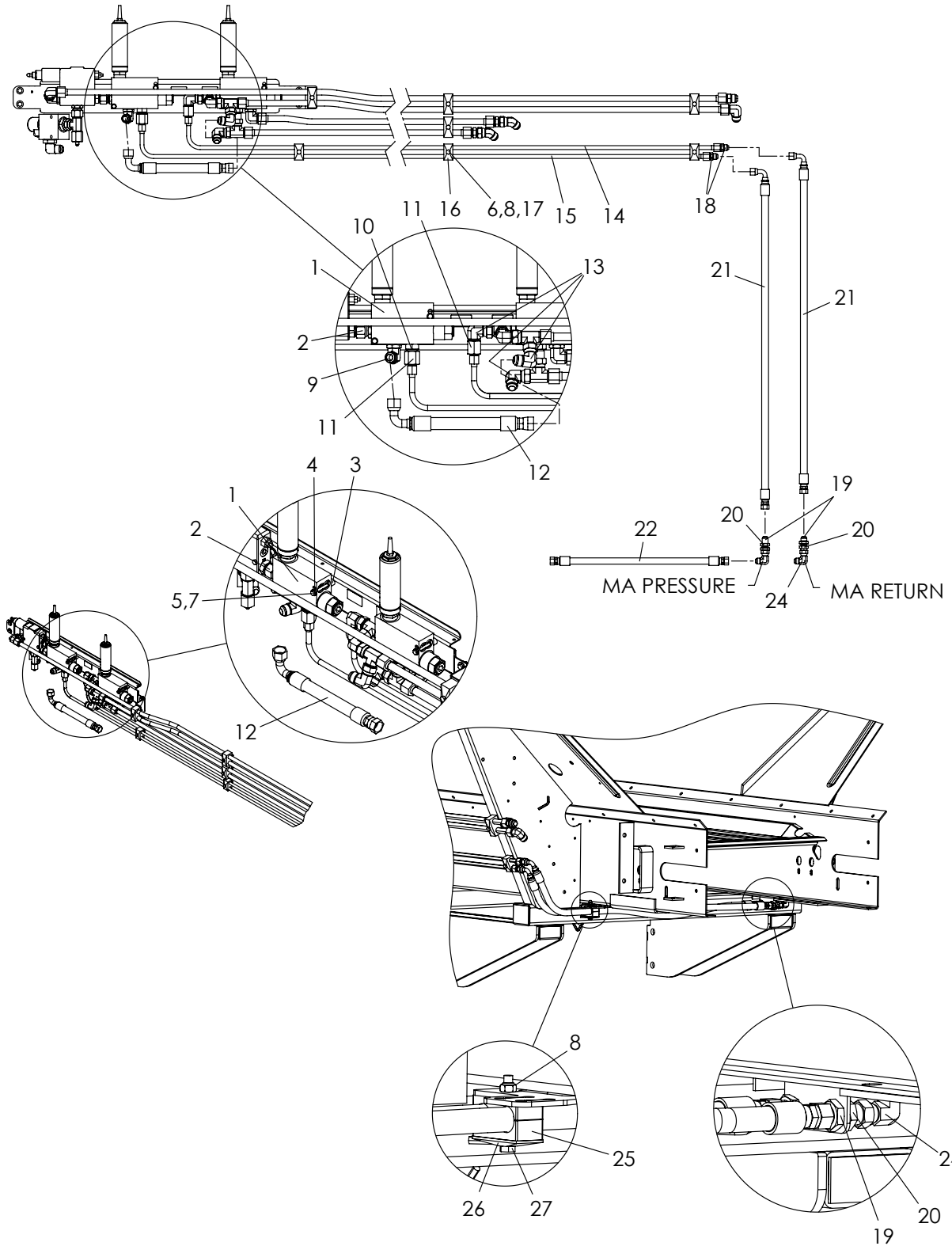
*not shown

PARTS LIST



NOTES

This page is intentionally left blank.

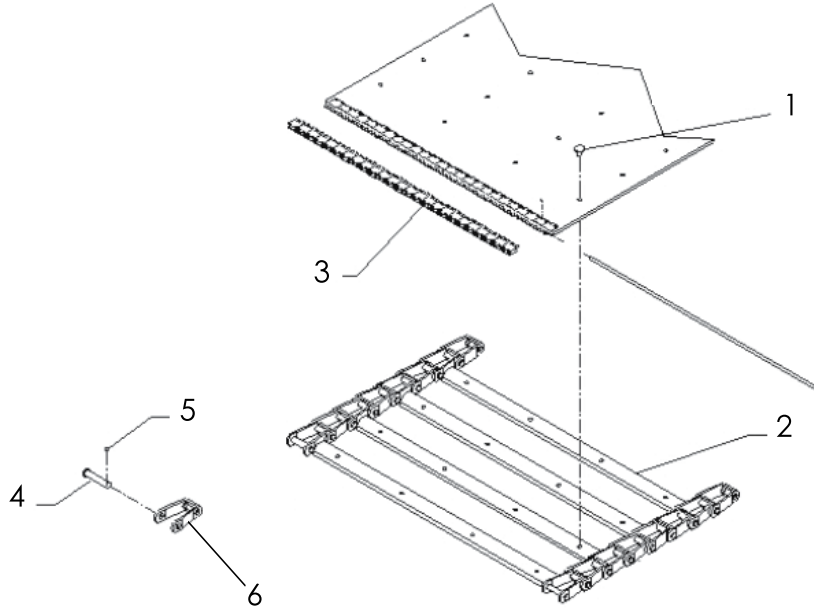


PARTS LIST



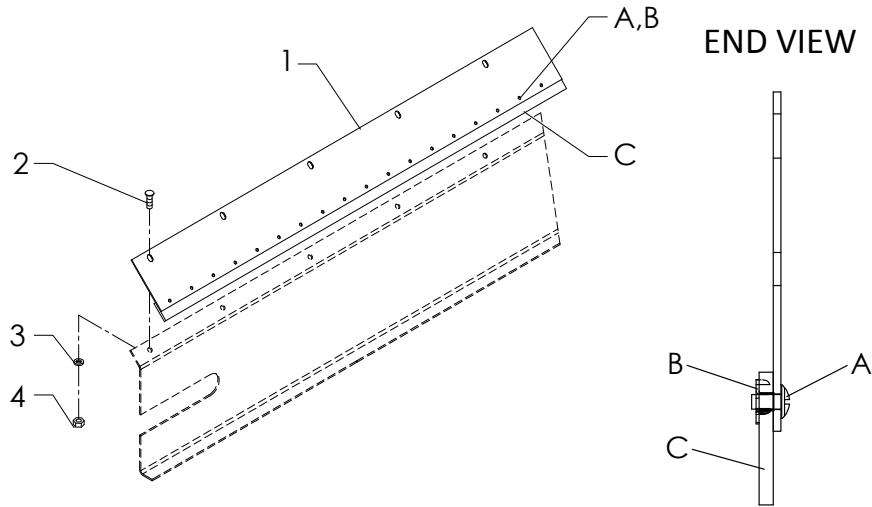
<u>ITEM</u>	<u>PART NO.</u>	<u>DESCRIPTION</u>	<u>QTY</u>
1	306273	Valve- Assy Control 5 GPM SFP	1
	306274	Manifold - 5-25 GPM SFP	1
	306275	Valve - Flow Control 5 GPM	1
2	29788	Fitting - 12-12 1040-30 Non-Stanard	1
3	302098	Washer - Step 1/4	2
4	302097	Washer - Step 1/4	2
5	56396	Cap Screw - 1/4-20NC x 3-1/4 SS	2
6	309619	Cap Screw - 5/16-18NC x 2 SS	4
7	42034	Nut - Lock 1/4-20NC SS	2
8	42221	Nut - Lock 5/16-18NC SS	5
9	29847	Fitting - 12-12 070220	1
10	29789	Fitting - 12-12 070120	1
11	56406	Fitting - 12-8 070123	2
12	56104	Hose - Assy 3/4 100R2 x 13-1/2"	1
13	34709	Fitting - 12-12 070221	3
14	309608	Tube - .5 OD x 96.88" Assy 304	1
15	309609	Tube - .5 OD x 101.50" Assy 304	1
16	300031	Clamp - Tubing Twin 1/2	4
17	36424	Washer - Flat 5/16 SS	4
18	56351	Fitting - 8-8 070101	2
19	56332	Fitting - 8-8 070601S 304	2
20	56333	Fitting - 8 070118	2
21	309618	Hose - Assy 1/2 100R2 x 43.5"	2
22	310636	Hose - Assy 1/2 100R1 x 23" SS	1
23	*310648	Tie - Dual Clamp	1
24	306742	Fitting - 8-8 070221S 304	2
25	310649	Clamp - Tubing Twin .84	1
26	310688	Plate - Cover Hose Clamp 304	1
27	71830	Cap Screw - 5/16-18NC x 2-1/2 SS	1

*Not Shown

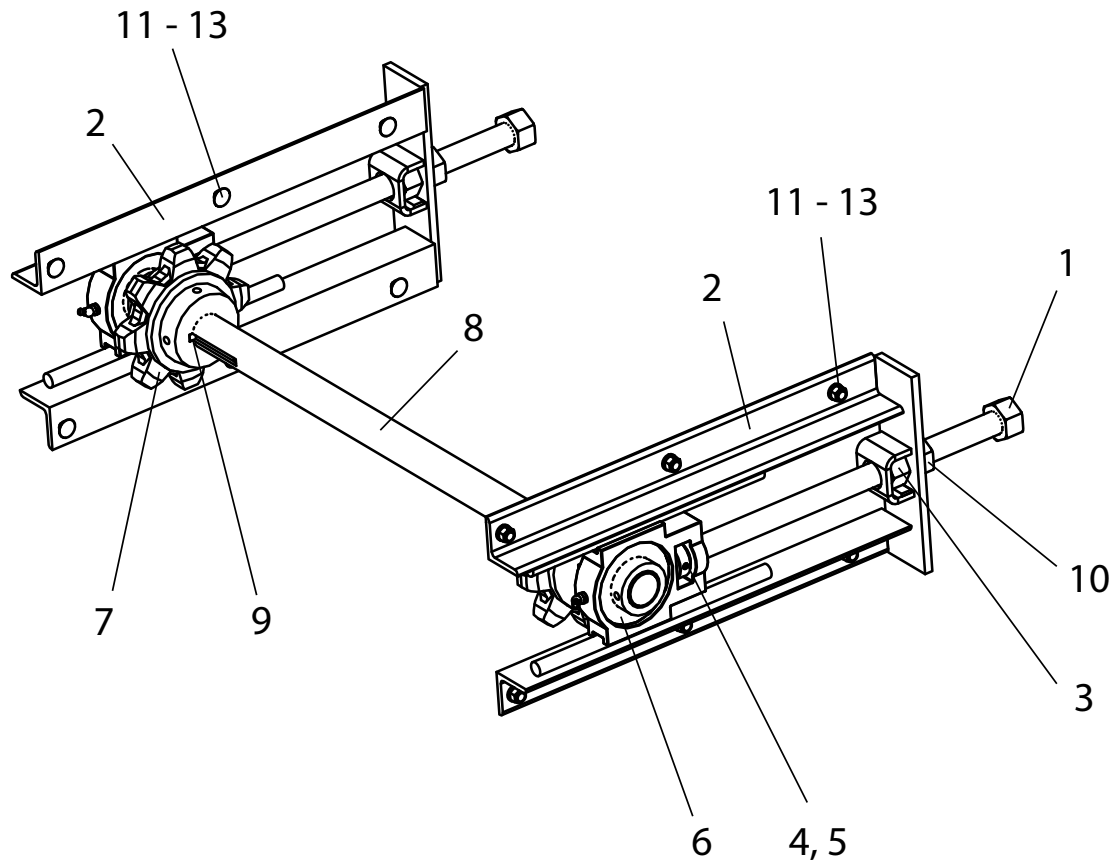


Click or Scan - #4 BOC Conveyor Replacement Procedure

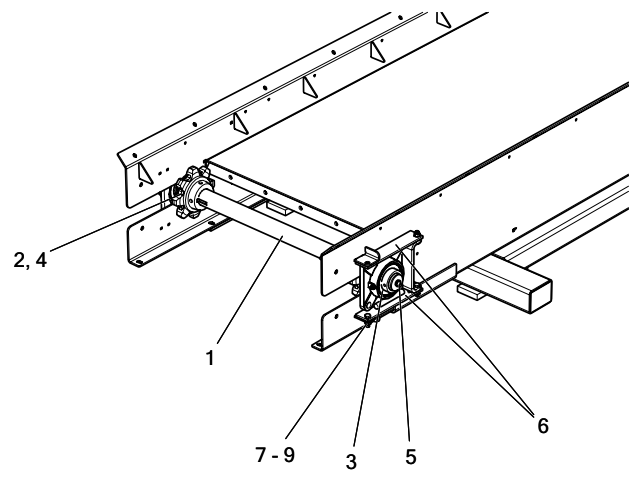
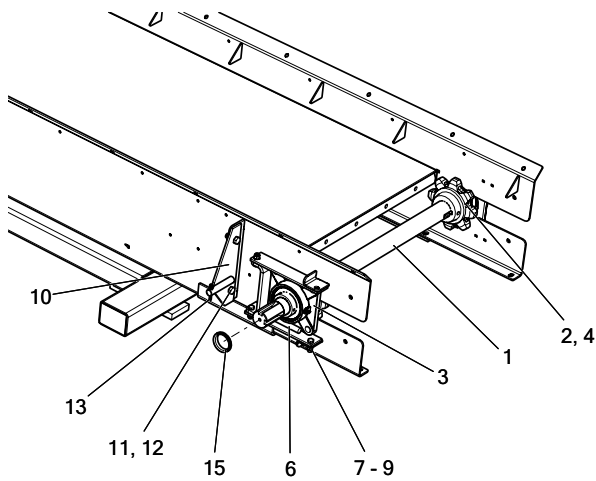
<u>ITEM</u>	<u>PART NO.</u>	<u>DESCRIPTION</u>	<u>QTY</u>
	305614-AE	Belt-Over-Chain - #4 12' MOR	1
1	305646	Screw - #4 BOC 1/4 x 9/16 Torx Flat Head	AR
2	310295	Crossbar – Wldmt, Includes Items	AR
3	73317	Kit – Splice	1
4	36697	Pin – Pintle Chain	6
5	20817	Pin – Cotter	6
6	36699	Link - Pintle Chain	AR



<u>ITEM</u>	<u>PART NO.</u>	<u>DESCRIPTION</u>	<u>QTY</u>
1	308866	Chain Shield - #4 BOC 12' 304 LH	1
	308865	Chain Shield - #4 BOC 12' 304 RH	1
	308868	Chain Shield - #4 BOC 12' 409 LH	1
	308867	Chain Shield - #4 BOC 12' 409 RH	1
A	88931	Nut – Tee 1/4 x 1/4	AR
B	56258	Screw – Truss Head 1/4 x 1/2	AR
C	305975	Sealer – Belt #4 BOC Shield 12'	13 ft.
2	71829	Screw – Truss Head 3/8 x 1 SS	AR
3	36420	Washer – Lock 3/8 SS	AR
4	36414	Nut – Hex 3/8 SS	AR



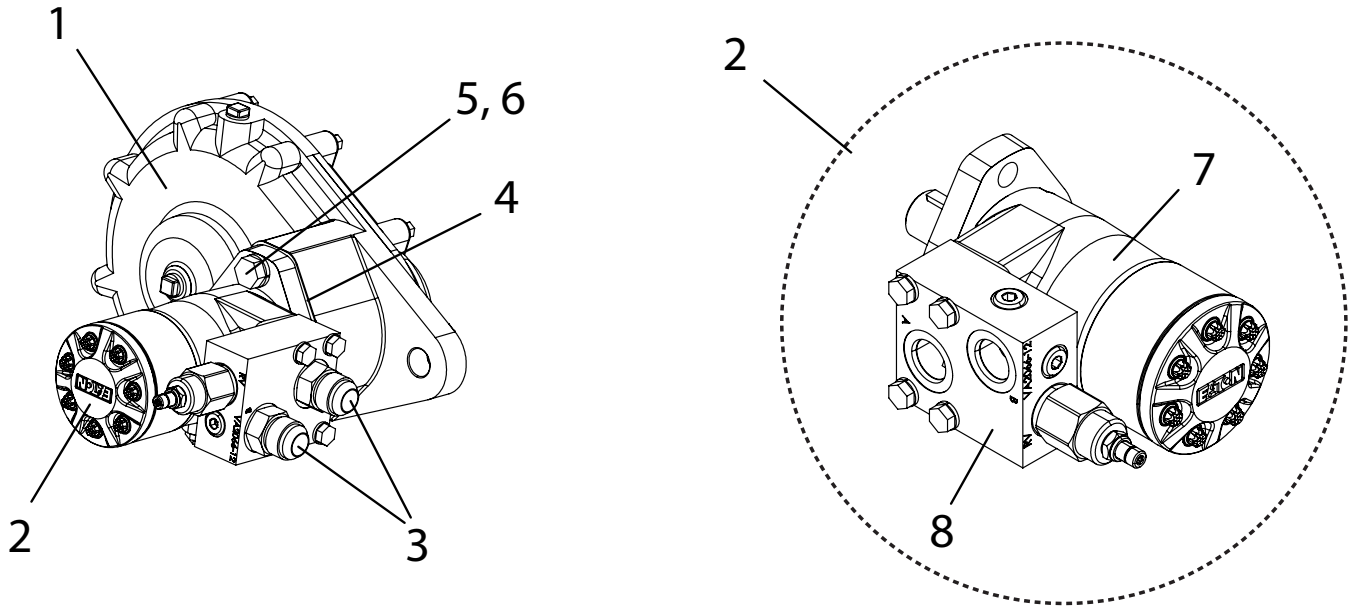
ITEM	PART NO.	DESCRIPTION	QTY
	97053	Shaft - Assy Idler, Includes Items 6 - 9	1
1	36508	Screw – Wldmt Adjust	2
2	79321	Take-up Wldmt SS	2
	7895	Take-up Wldmt	2
3	39110	Nut Wldmt	2
4	20925	Pin – Roll 1/4 x 1 1/2	2
5	30725	Collar – Set 1”	2
6	22511	Bearing – Take-up	2
7	97051	Sprocket – Idler	2
8	82799	Shaft – Idler	1
9	2135	Key – Square 5/16 x 2 1/2	2
10	36509	Nut – Hex 1-8NC SS	2
11	36414	Nut – Hex 3/8 SS	12
12	36409	Bolt – Carriage 3/8 x 1-1/4 SS	12
13	36420	Washer – Lock 3/8 SS	12



<u>ITEM</u>	<u>PART NO.</u>	<u>DESCRIPTION</u>	<u>QTY</u>
	97052	Shaft - Drive Assy, Includes Items 1 - 5	
1	310606	Shaft – Drive	1
2	88276	Sprocket	2
	20743	Screw – Set 5/16 x 3/8	1
3	6465	Bearing	2
4	6131	Key – Square 3/8 x 1 1/2	2
5	56264	Cap/Plug - Plastic	1
6	82885	Guide – Bearing	4
7	36399	Cap Screw - 3/8 x 1 1/4	8
8	36420	Washer – Lock 3/8	8
9	36414	Nut – Hex 3/8	8
10	82552	Bracket – Torque Arm LH	1
11	20128	Cap Screw - 1/2 x 1 1/4	2
12	20680	Nut – Lock 1/2	2
13	20833	Pin – Cotter 1/4 x 1 1/2	1
14	*37010	Key – Square 1/2 x 1 1/2	2
15	311172	V-Ring Seal	1

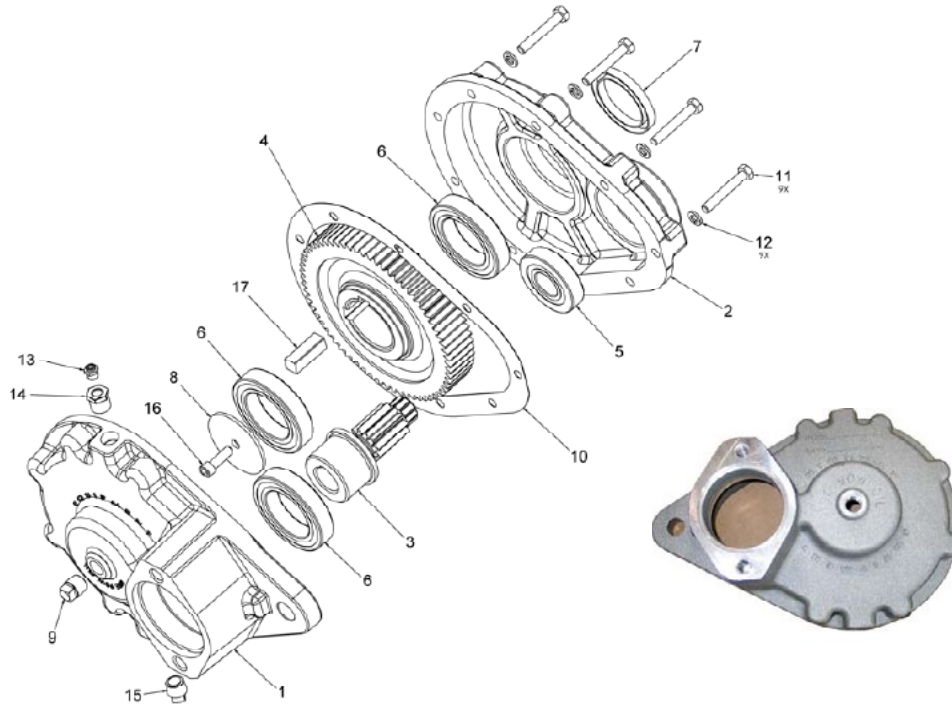
Gearcase Assy – See “Gearcase” parts list

* Not Shown



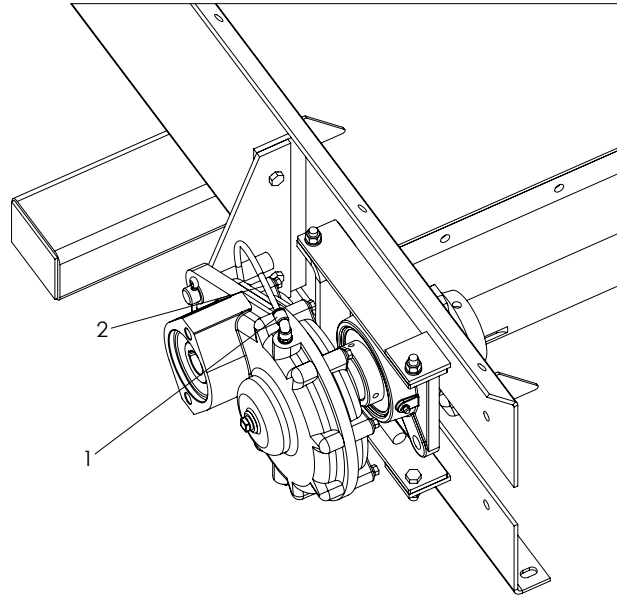
ITEM	PART NO.	DESCRIPTION	QTY
	309613	Gearcase - Assy 6:1, Includes Items 1 - 8	1
1	36671	Gearcase - Assembled See "Gearcase - Single Pinion" page for service parts.	1
2	309600 39137	Motor - Hydraulic, Assy: Includes 7 - 10. Seal Kit	1 1
3	29753	Fitting - 12-10 070120	2
4	74524	Gasket - Motor Flange	2
5	20129	Cap Screw 1/2 x 1-1/2	2
6	20714	Washer - Lock 1/2	2
7	309601	Motor - Hydraulic	1
8	309602	Valve - Relief	1

PARTS LIST

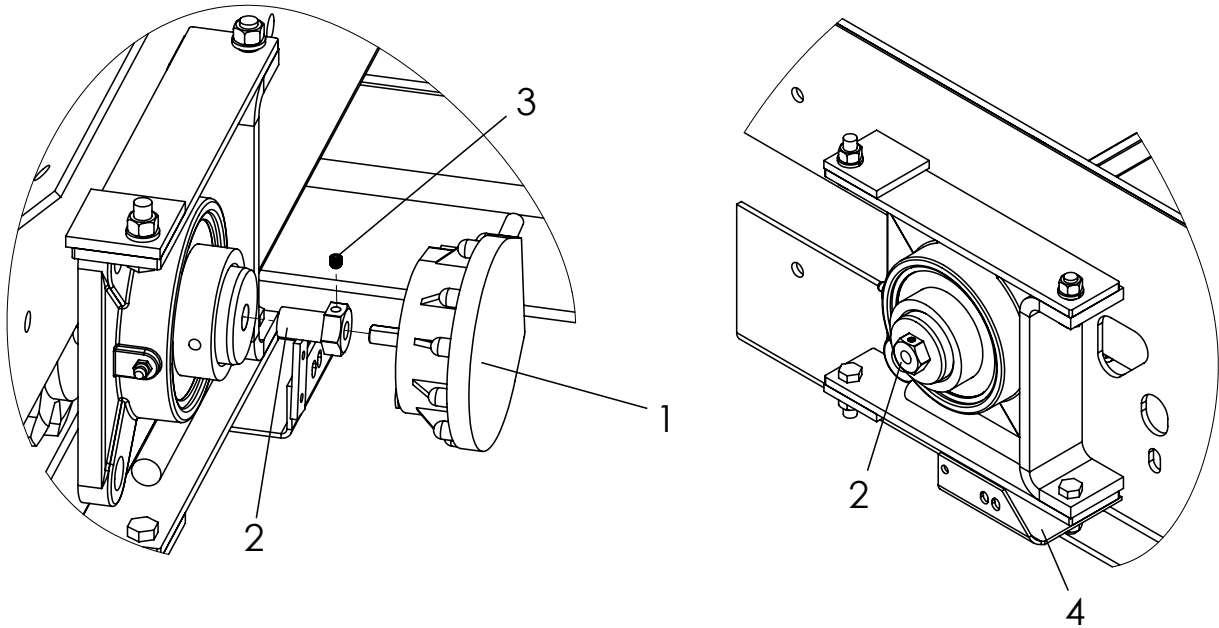


<u>ITEM</u>	<u>PART NO.</u>	<u>DESCRIPTION</u>	<u>QTY</u>
	36671	Gearcase – Assy Single Pinion	
	304269-AB	Parts – Service, Includes 1–17	
1	304559	Housing – Outboard	1
2	304560	Housing – Inboard	1
3	304561	Gear – Pinion 11 Tooth	2
4	304562	Gear – Driven 67 Tooth	1
5	37007	Bearing	2
6	37008	Bearing	4
7	37006	Seal – Oil	1
8	38979	Washer – Flat 2-1/2 x 11/32	2
9	6031	Plug – Pipe	1
10	304563	Gasket – Housing	1
11	20040	Cap Screw – 5/16NC x 2	10
12	20711	Washer – Lock 5/16	10
13	2564	Cap – Breather	1
14	27465	Bushing – Pipe 1/8 x 3/8	1
15	21490	Plug – Pipe Magnetic	1
16	38980	Screw – Allen Head 5/16-18 x 1	1
17	37010	Key – 1/2 x 1/2 x 1-1/2	2

GEARCASE BREATHER TUBE



<u>ITEM</u>	<u>PART NO.</u>	<u>DESCRIPTION</u>	<u>QTY</u>
1	306891	Fitting - 4-2 630202K	1
2	310494	Tubing - 1/4 OD Air Brake Black	1



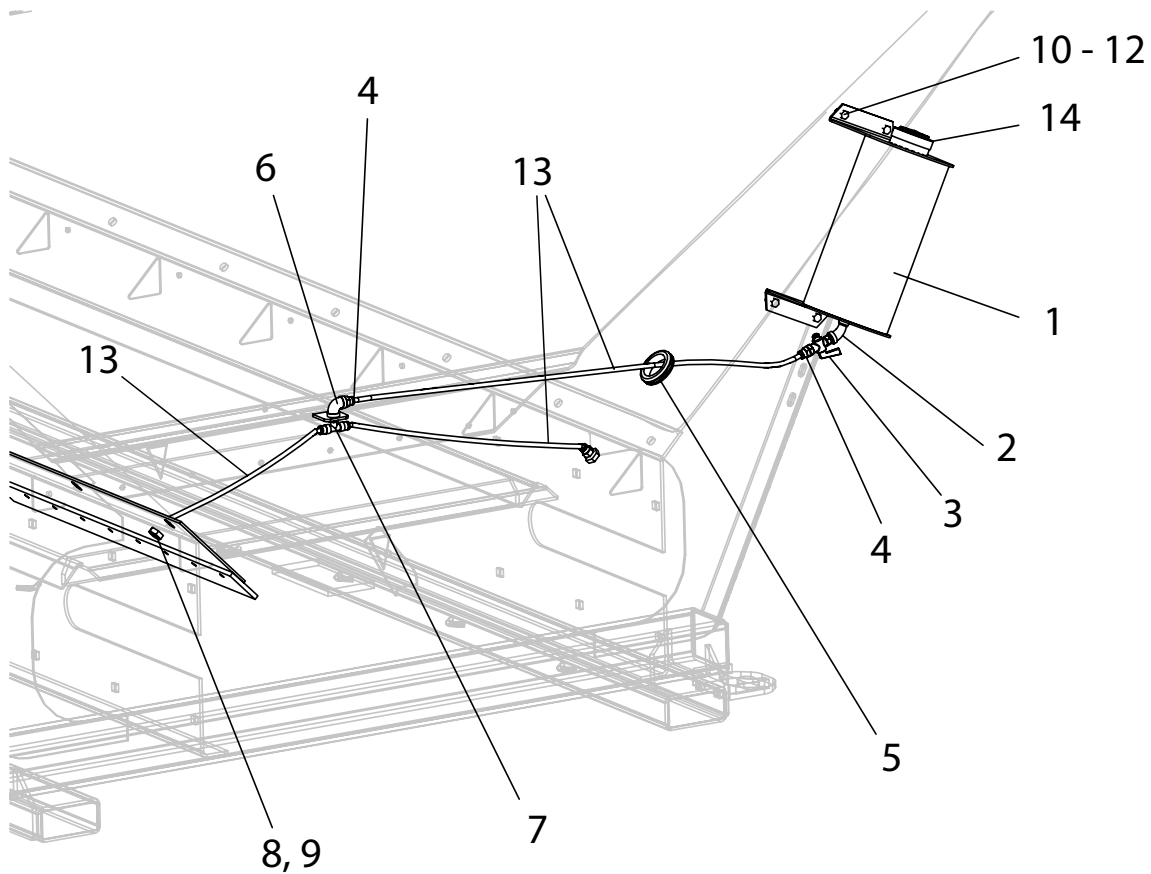
Click or Scan - Encoder Test Procedure



Click or Scan - Encoder Installation Procedure

<u>ITEM</u>	<u>PART NO.</u>	<u>DESCRIPTION</u>	<u>QTY</u>
1	303994	Encoder – 180 with Hardware	1
2	310601	Coupler - Rate Sensor SS	1
3	310603	Screw - Set 1/4-20NC x 5/16 SS	1
4	304946	Bracket - Sensor, Drive Mount	1

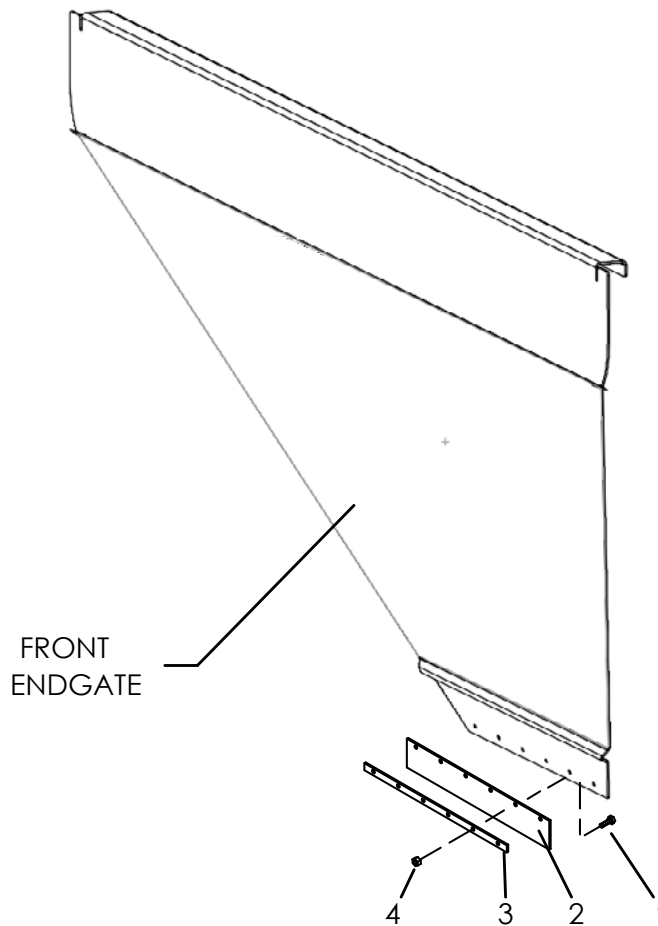
#4 CONVEYOR CHAIN OILER



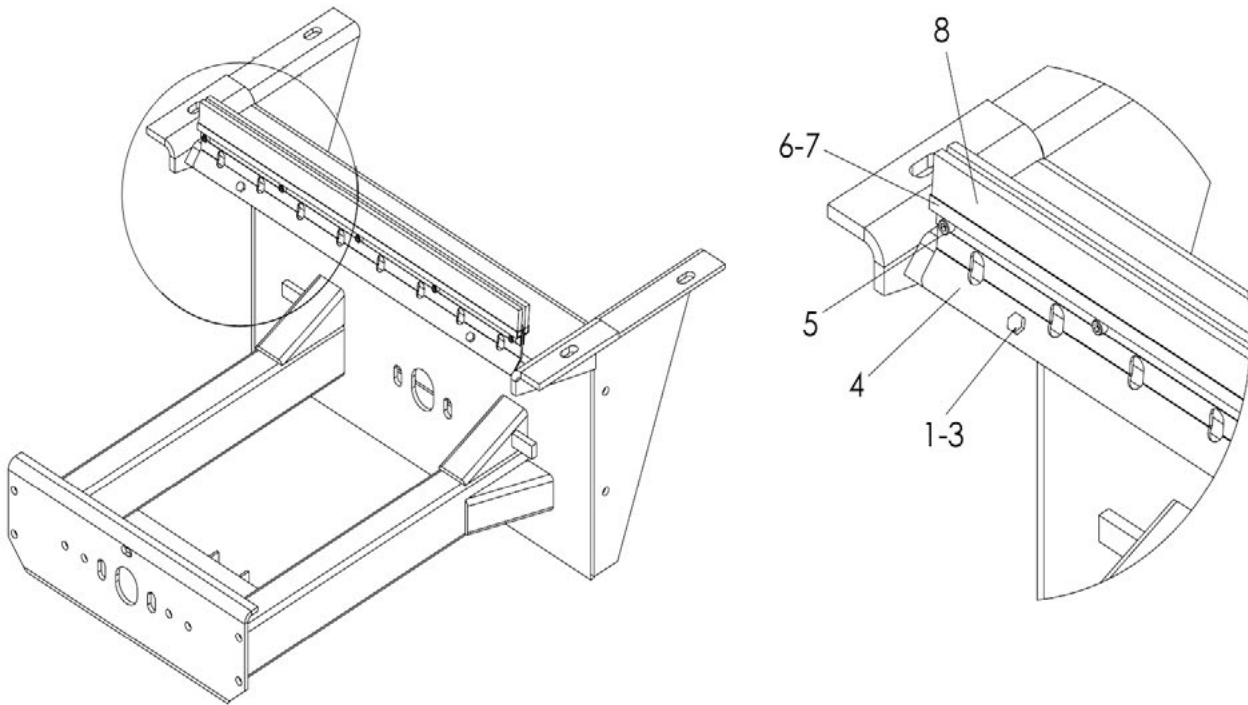
<u>ITEM</u>	<u>PART NO.</u>	<u>DESCRIPTION</u>	<u>QTY</u>
1	98051	Tank - Oiler, Includes Item 14	1
2	21990	Elbow - Street 45° 1/8 NPT	1
3	82917	Valve - Shut-Off	1
4	98706	Connector - Male	2
5	34129	Grommet	1
6	6006	Elbow - 90° 1/8 NPT	1
7	97801	Tee - Male Branch Swivel	1
8	97802	Connector - Male	2
9	97803	Nut - Brass 1/4 NPT	2
10	36393	Cap Screw - 1/4-20NC x 3/4 SS	4
11	36418	Washer - Lock 1/4 SS	4
12	36412	Nut - Hex 1/4-20NC SS	4
13	82920	Tube - Clear	AR
14	21980	Cap - Vented	1

PARTS LIST

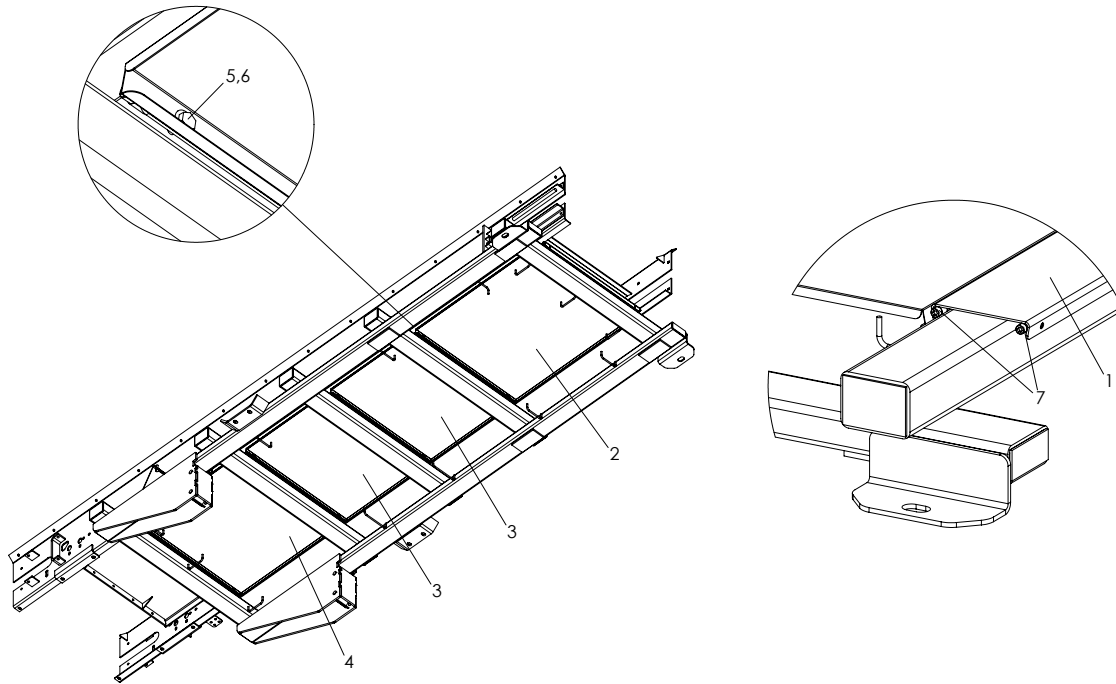




<u>ITEM</u>	<u>PART NO.</u>	<u>DESCRIPTION</u>	<u>QTY</u>
1	32446	Screw – TR HD 1/4 x 3/4	6
2	14743	Wiper – Belt	1
3	71656	Retainer – Belt	1
4	36412	Nut – Hex 1/4	6

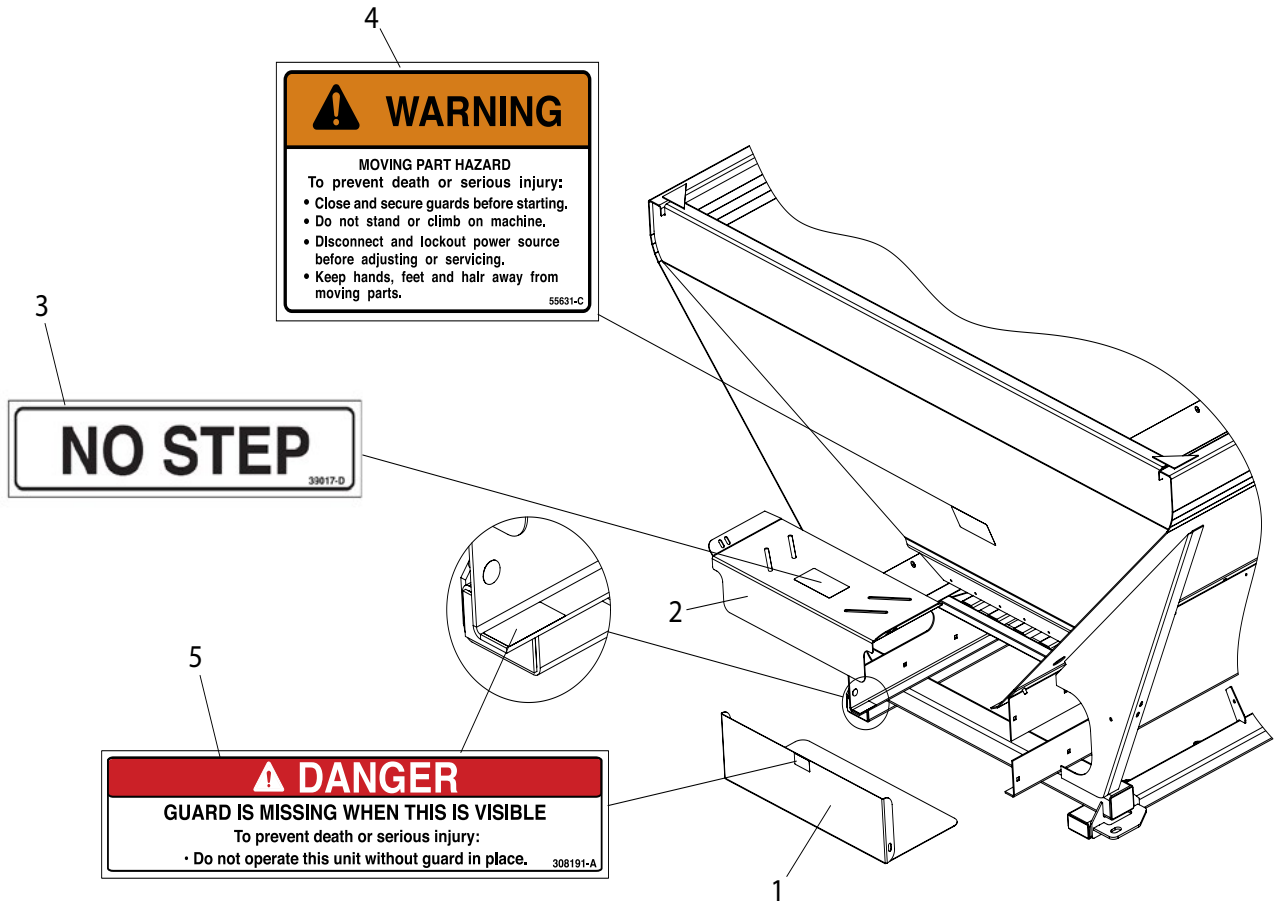


<u>ITEM</u>	<u>PART NO.</u>	<u>DESCRIPTION</u>	<u>QTY</u>
	308809	Brush - Strip Assy, Includes items 4-8	
1	36393	Cap Screw - 1/4-20NC x 3/4 SS	2
2	36418	Washer - Lock 1/4 SS	2
3	36412	Nut - Hex 1/4-20NC SS	2
4	308799	Mount - Brush	1
5	308802	Screw - Sockethead 1/4-20NC x 1/2 SS	5
6	308796	Holder - Brush 24" SS	1
7	308804	Holder - Wldmt Brush	1
8	308803	Brush - Strip 24"	2



<u>ITEM</u>	<u>PART NO.</u>	<u>DESCRIPTION</u>	<u>QTY</u>
1	307645	Support Panel - Wldmt Chassis 304	5
2	307646	Panel - Front Chassis 304	1
3	307647	Panel - Center Chassis 304	2
4	307648	Panel - Rear Chassis 304	1
5	58799	Cap Screw - 1/4-20NC x 1/2 SS	16
6	36423	Washer - Flat 1/4 SS	16
7	307642	Screw - Sockhead 5/16-18NC x 1/2 SS	20

GUARD - FRONT COVER



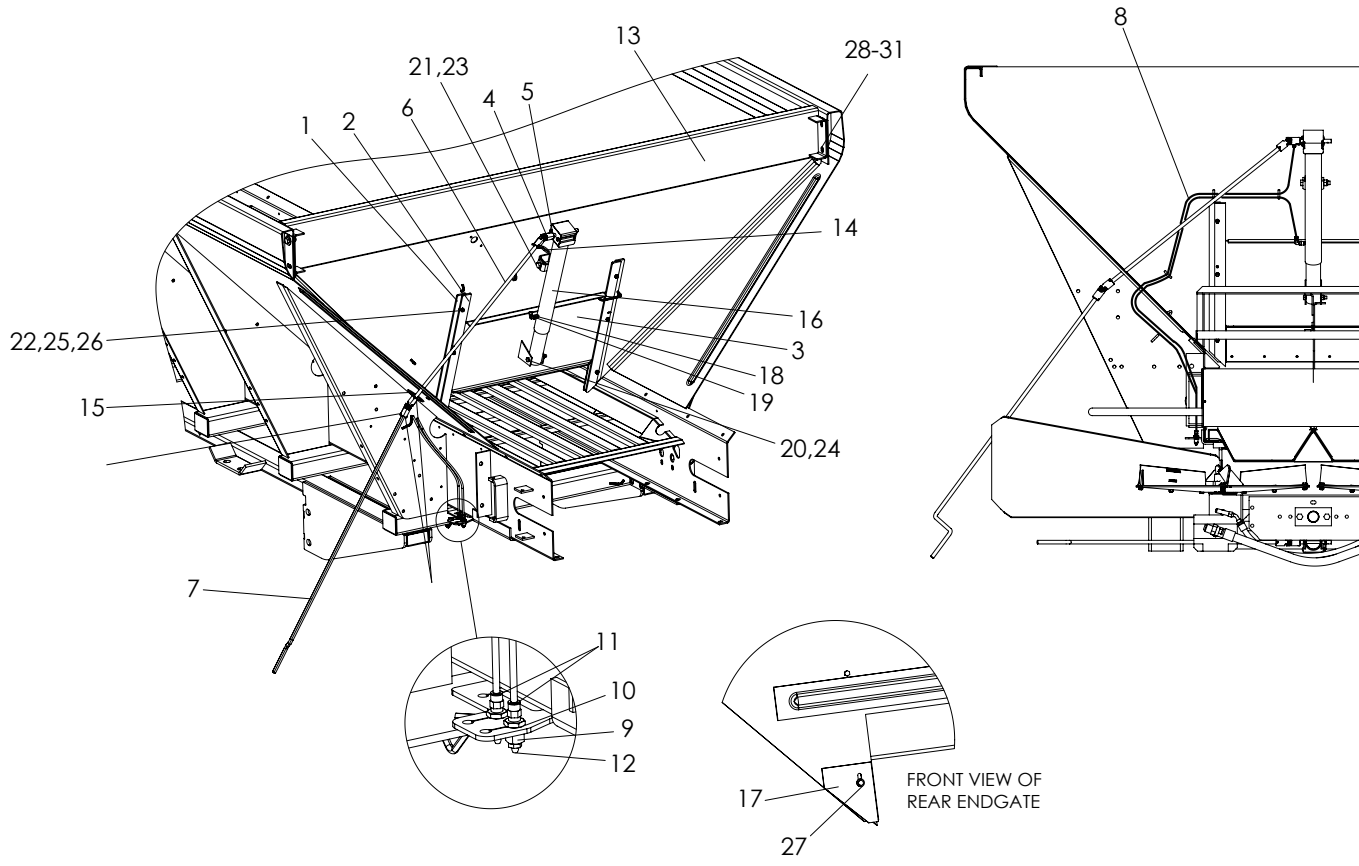
ITEM	PART NO.	DESCRIPTION	QTY
1	308860	Guard – Front Cover - Bottom	1
2	308859	Guard -- Front Cover - Top	1
3	39017	Decal – No Step	1
4	55631	Decal - Warning, Moving Part Hazard	1
5	308191	Decal - Danger, Guard is Missing	2

For additional Safety Decals, see also *Drive and Snubber Guard* and *Decals - Safety*

NOTES

This page is intentionally left blank.

**FEEDGATE
REMOVABLE ENDGATE, FEEDGATE & JACK**



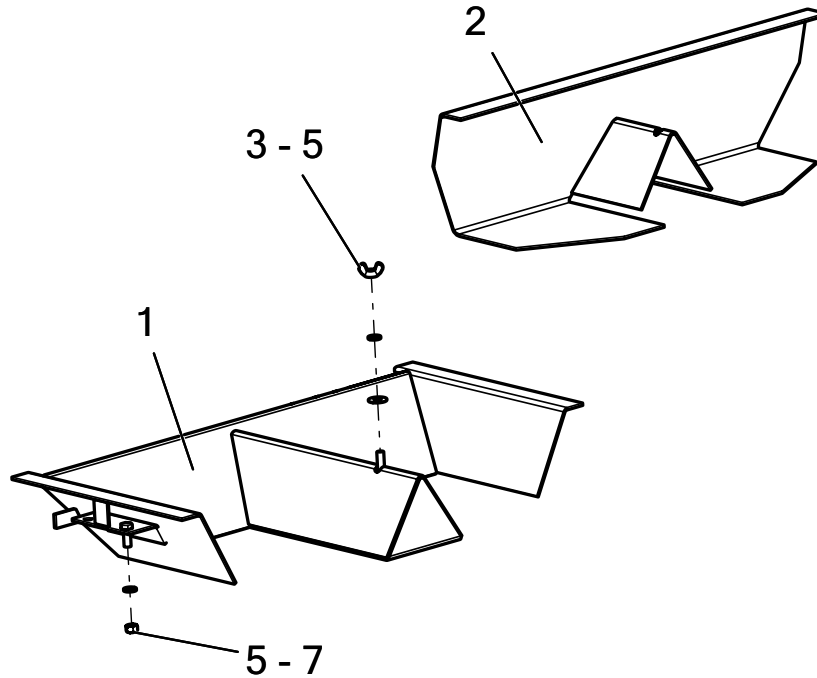
<u>ITEM</u>	<u>PART NO.</u>	<u>DESCRIPTION</u>	<u>QTY</u>
1	36385	Guide – Feedgate	2
2	36384	Slide – Feedgate	2
3	98513	Feedgate Wldmt 304	1
	98512	Feedgate Wldmt 409	1
4	85002	U-Joint	2
5	20918	Pin - Roll	3
6	85357	Handle - Extension	1
7	14382	Handle	1
8	310490	Tube - 1/4 OD	2
9	301332	Connector - Bulkhead	2
10	301333	Nut - Lock, Connector	2
11	301334	Fitting - Straight Male	2
12	6069	Zerk - Grease	2
13	302815	Endgate - Wldmt 304	1
	306019	Endgate - Wldmt 409	1

PARTS LIST



<u>ITEM</u>	<u>PART NO.</u>	<u>DESCRIPTION</u>	<u>QTY</u>
14	86878	Pin - Hair .178 x 3-3/4	1
15	21653	Grommet - Rubber	1
16	40704	Jack - Coated	1
17	305078	Sealer - Endgate Bold-in (inside)	2
18	306349	Connector - Zerk Lock	2
19	301336	Fitting - 90 Male Swivel	2
20	71827	Capscrew - 3/8-16NC x 3 SS	1
21	80798	Capscrew - 1/2-13NC x 3-3/4 SS	1
22	40750	Capscrew - 1/4-20NC x 1-1/4 SS	6
23	39016	Nut - Lock 1/2-13NC SS	1
24	72054	Nut - Lock 3/8-16NC SS	1
25	36412	Nut - Hex 1/4-20NC SS	6
26	36418	Washer - Lock 1/4 SS	6
27	36423	Washer - Flat 1/4 SS	2
28	20128-X1	Capscrew - 1/2-13NC x 1-1/4	4
29	20695	Washer - Flat 1/2	8
30	20714	Washer - Lock 1/2	4
31	20646	Nut - Hex 1/2-13NC	4



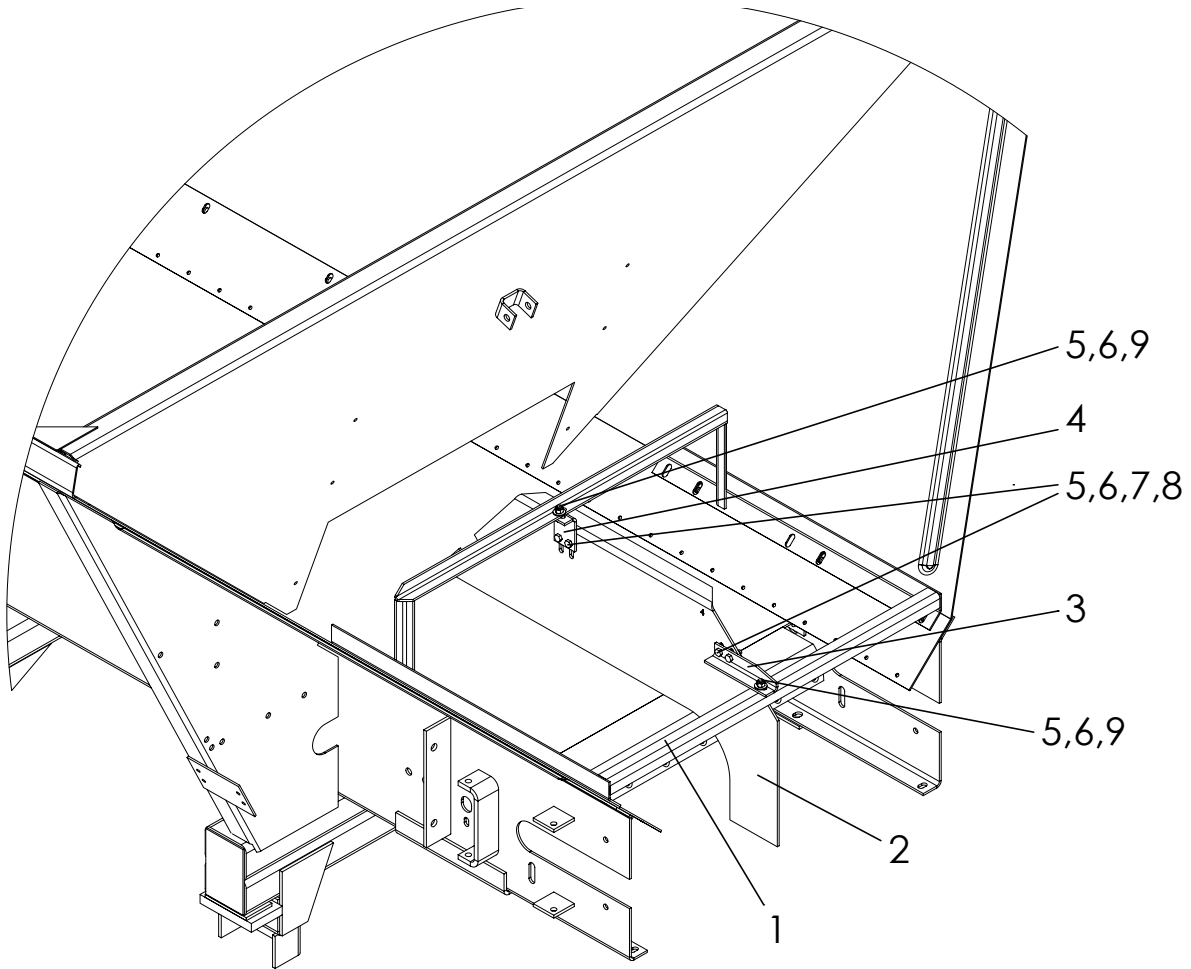


<u>ITEM</u>	<u>PART NO.</u>	<u>DESCRIPTION</u>	<u>QTY</u>
	87108	Divider – Material Assy, Includes 1-5	
1	87054	Divider – Wldmt	1
2	87064	Deflector – Rear Wldmt	1
3	20673	Nut – Wing 3/8 SS	1
4	36425	Washer – Flat 3/8 SS	1
5	36420	Washer – Lock 3/8 SS	1
6	36293	Cap Screw – 3/8-16NC x 3/4 SS	2
7	36414	Nut – Hex 3/8-16NC SS	AR

AR - As Required

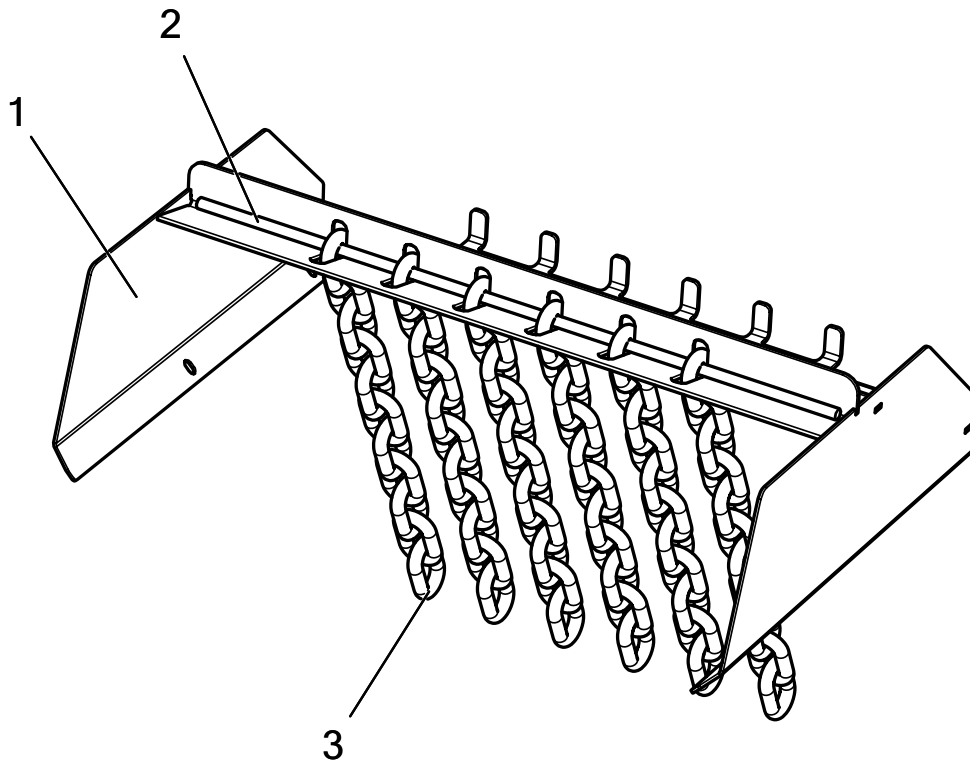
PARTS LIST





<u>ITEM</u>	<u>PART NO.</u>	<u>DESCRIPTION</u>	<u>QTY</u>
1	86507	Bracket – Wldmt Support	1
2	304796	Panel – Hillside Divider #5 Belt	1
	86506	Panel - Hillside Divider #4 BOC	1
3	56879	Bracket – Clamp	1
4	56880	Angle – Clamp	1
5	34580	Cap Screw – 5/16 x 1 SS	6
6	36424	Washer – Flat 5/16 SS	8
7	36419	Washer – Lock 5/16 SS	4
8	36413	Nut – Hex 5/16 SS	4
9	42221	Nut – Lock 5/16 SS	2
Note: Use chain shield hardware to attach Item 1 to sills.			

ANTI-SLAB

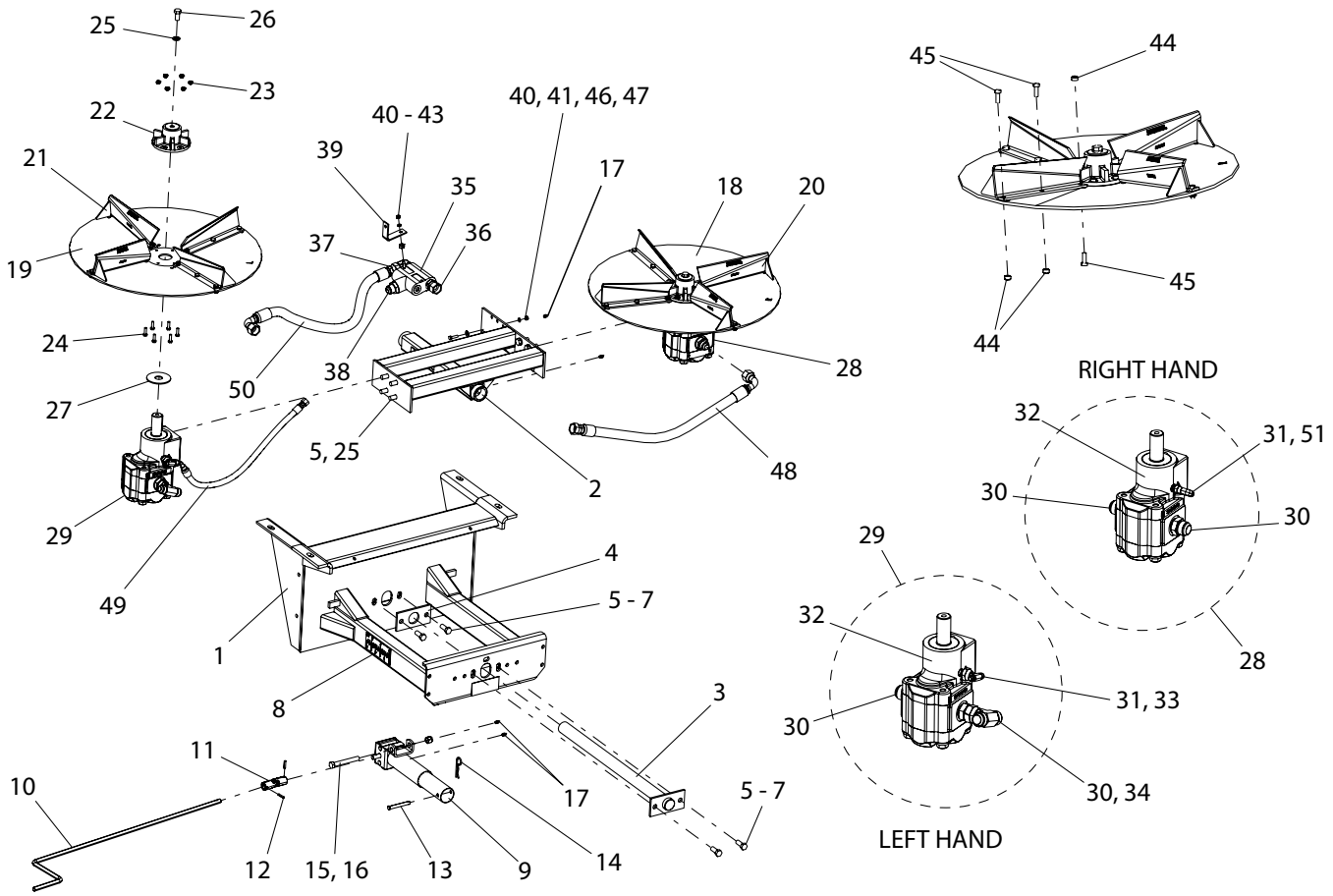


<u>ITEM</u>	<u>PART NO.</u>	<u>DESCRIPTION</u>	<u>QTY</u>
	312953	Anti-Slab Assy, Includes Items 1 - 3	
1	312954	Support - Wldmt 304	1
2	312959	Round - 1/2 x 31 304	1
3	312960	Chain	6

PARTS LIST



This page is intentionally left blank.



Click or Scan - Spinner Motor Replacement Procedure



Click or Scan - Spinner Disc Replacement Procedure



Click or Scan - Spinner Assembly Motor Mount Adjustment Procedure



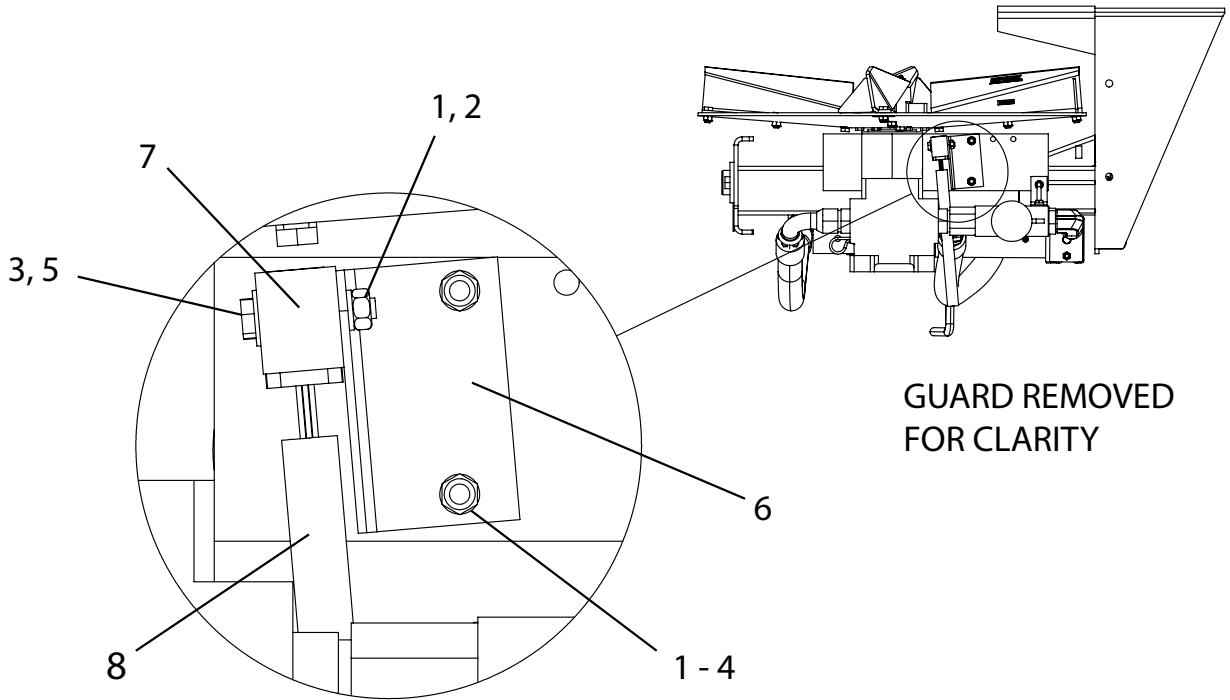
Click or Scan - New Leader Spinner Disc Identification



<u>ITEM</u>	<u>PART NO.</u>	<u>DESCRIPTION</u>	<u>QTY</u>
	86503	24" Spinner Assy, Includes Items 1 -	1
	87106	Spinner Disc – LH Assy, Includes Items 19, 21 - 24	1
	87105	Spinner Disc – RH Assy, Includes Items 18, 20, 22 - 24	1
1	87090	Plate – Back Wldmt	1
2	87082	Mount – Motor Wldmt	1
3	87021	Shaft – Support Wldmt	1
4	87023	Plate – Shaft Mount	1
5	36402	Cap Screw – 1/2-13NC x 1-1/4 SS	12
6	39016	Nut – Lock 1/2-13NC SS	5
7	36426	Washer – Flat 1/2 SS	4
8	87110	Scale - Spinner Position	1
9	87170	Jack – Coated Assy	1
10	87024	Handle	1
11	85002	U-Joint	1
12	20918	Pin – Roll	2
13	6547	Pin – Clevis	1
14	36429	Pin – Hair SS	1
15	80798	Cap Screw – 1/2-13NC x 3-3/4 SS	1
16	39016	Nut - Lock 1/2-13NC SS`	1
17	6072	Zerk – Grease	2
18	27056-X4	Disc – Distributor RH	1
19	27056-X5	Disc – Distributor LH	1
20	309091	Fin - RH Wldmt	4
21	309092	Fin – LH Wldmt	4
22	10877	Hub	2
23	20676	Nut – Lock 1/4-20NC	12
24	20004	Cap Screw – 1/4-20NC x 7/8	12
25	36422	Washer – Lock 1/2 SS	10
26	36401	Cap Screw – 1/2-13NC x 1 SS	2
27	305571	Washer – Rubber	2
28	87099	Motor - RH Style II Assy, includes Items 30 - 32, 51	1
29	87098	Motor – LH Style II Assy, includes Items 30 - 34	1
30	34717	Adapter - O-Ring	4
31	34763	Adapter - O-Ring	2
32	313510	Motor - Spinner 3.19 CID (Post-2016 Units)	2
	305944	Motor-Spinner Style II (2016 & Previous units)	2
	72548	Seal Kit	AR
	305824	Seal Kit - Retainer	AR

<u>ITEM</u>	<u>PART NO.</u>	<u>DESCRIPTION</u>	<u>QTY</u>
33	29809	Fitting - 12-12-12 070433	1
34	29825	Fitting - 6-6-6 070433	1
35	43510	Valve – Flow Divider	1
36	29788	Adapter - Straight	1
37	29847	Adapter - Elbow 90°	1
38	29789	Adapter - Straight	1
39	87053	Angle – Valve Mount	1
40	36412	Nut – Hex 1/4-20NC SS	2
41	36418	Washer – Lock 1/4 SS	2
42	36414	Nut - Hex 3/8-16NC SS (Used as spacer)	1
43	34865	Cap Screw – 1/4-20NC x 2-1/4 SS	1
44	20677	Nut – Lock 5/16-18NC	24
45	20034	Cap Screw – 5/16-18NC x 3/4	24
46	36423	Washer – Flat 1/4 SS	1
47	36395	Cap Screw – 1/4-20NC x 1 SS	1
48	87049	Hose - Assy SAE 12 x 27-1/2" 100R2	1
49	87112	Hose - Assy SAE 6 x 28" 100R1	1
50	98108	Hose - Assy SAE 12 x 27-1/2" 100R12	1
51	34816	Fitting - Elbow 90°	1
52	* 36940	Bolt – Carriage 1/2 x 2 SS	4
53	* 36426	Washer – Flat 1/2 SS	4
54	* 36422	Washer – Lock 1/2 SS	4
55	* 36416	Nut – Hex 1/2-13NC SS	4

AR - As Required * - Not Shown – Used to attach spinner to sills.



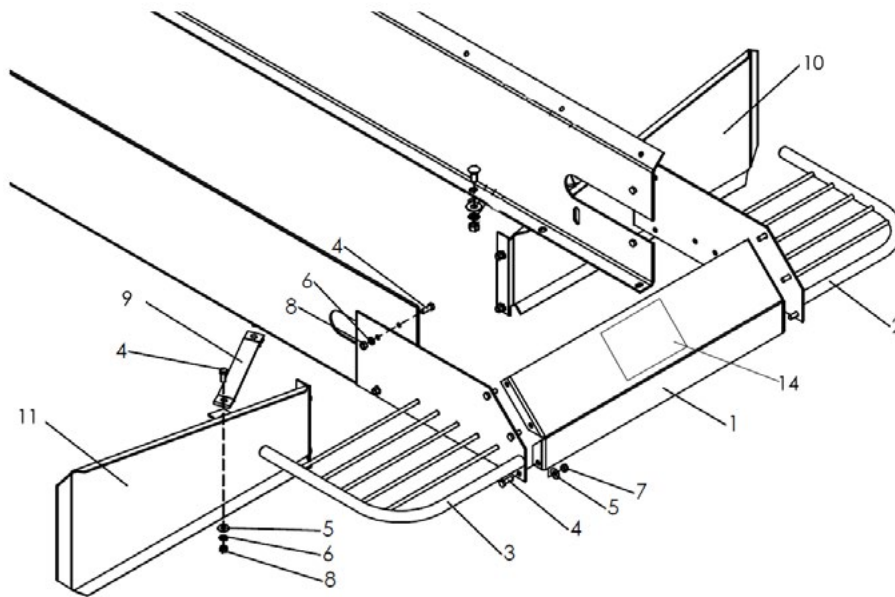
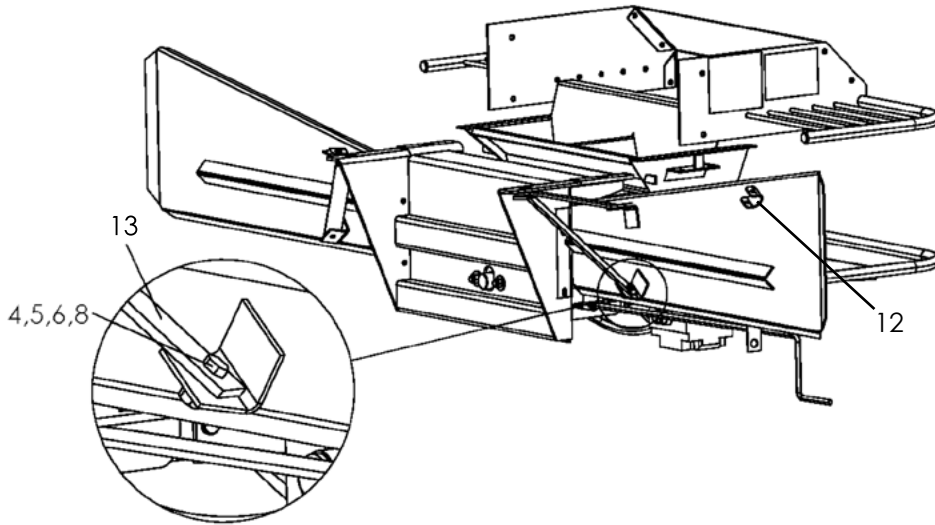
Click or Scan - Spinner Speed Sensor Test Procedure



Click or Scan - Spinner Speed Sensor Installation Procedure

<u>ITEM</u>	<u>PART NO.</u>	<u>DESCRIPTION</u>	<u>QTY</u>
	97310	Sensor – Kit Spinner (Includes Items 1 - 8)	
1	36412	Nut – Hex 1/4 SS	6
2	36418	Washer – Lock 1/4 SS	6
3	36423	Washer – Flat 1/4 SS	3
4	36393	Cap Screw – 1/4 x 3/4 SS	2
5	42448	Cap Screw – 1/4 x 1-1/2 SS	2
6	86672	Bracket	1
7	89011	Sensor – Assy	1
8	89009	Cable – Sensor Extension	1

SPINNER GUARDS & DEFLECTORS

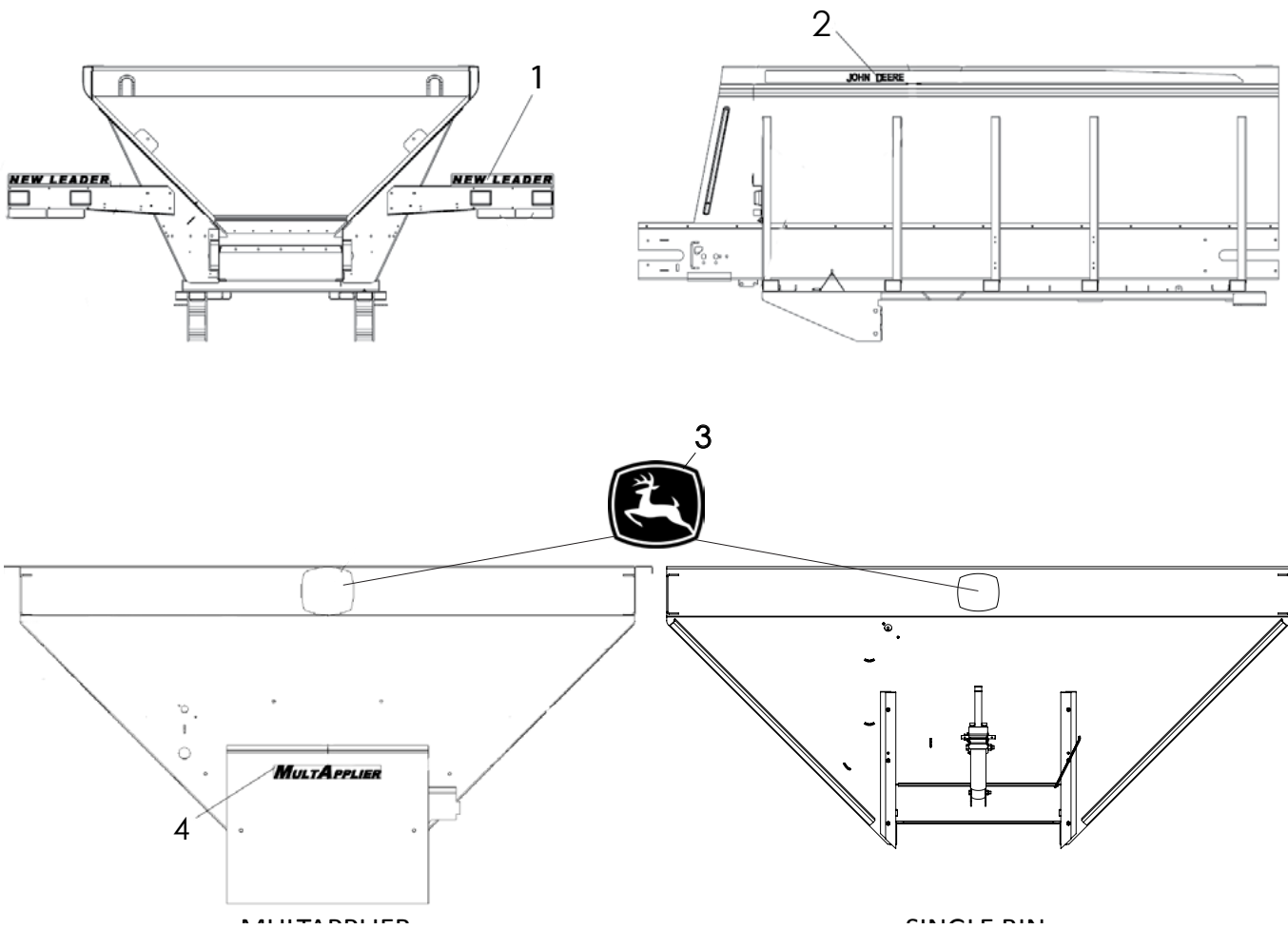


PARTS LIST

<u>ITEM</u>	<u>PART NO.</u>	<u>DESCRIPTION</u>	<u>QTY</u>
1	305712	Guard – Center 304	1
2	87027-X1	Guard – RH Wldmt	1
3	87031-X1	Guard – LH Wldmt	1
4	36398	Cap Screw – 3/8 x 1 SS	18
5	36425	Washer – Flat 3/8 SS	14
6	36420	Washer – Lock 3/8 SS	12
7	72054	Nut – Lock 3/8 SS	6
8	36414	Nut – Hex 3/8 SS	14
9	87068	Bar - Stiffener 304	2
10	305075	Shield – RH Wldmt	1
11	306686	Shield – LH Wldmt 304 w/ Bracket	1
12	* 97519	Pin – Snap	1
13	305040	Bar – Stiffener Lower 304	2
14	*87109	Decal - Décor G4	1

* - Not Shown

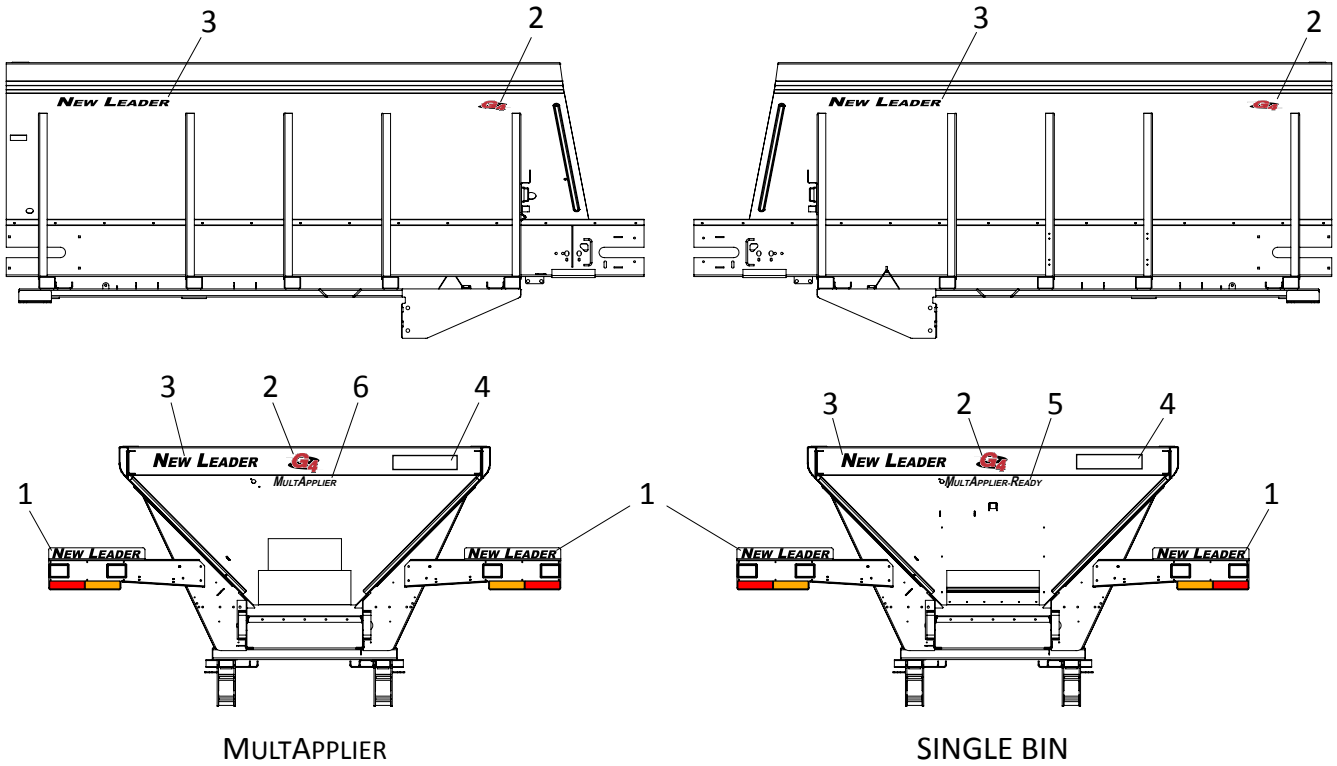
NOTE: Guards are intended to reduce hazard of entanglement with machinery and injury. All guards must be installed per this drawing before spreader is put into operation.



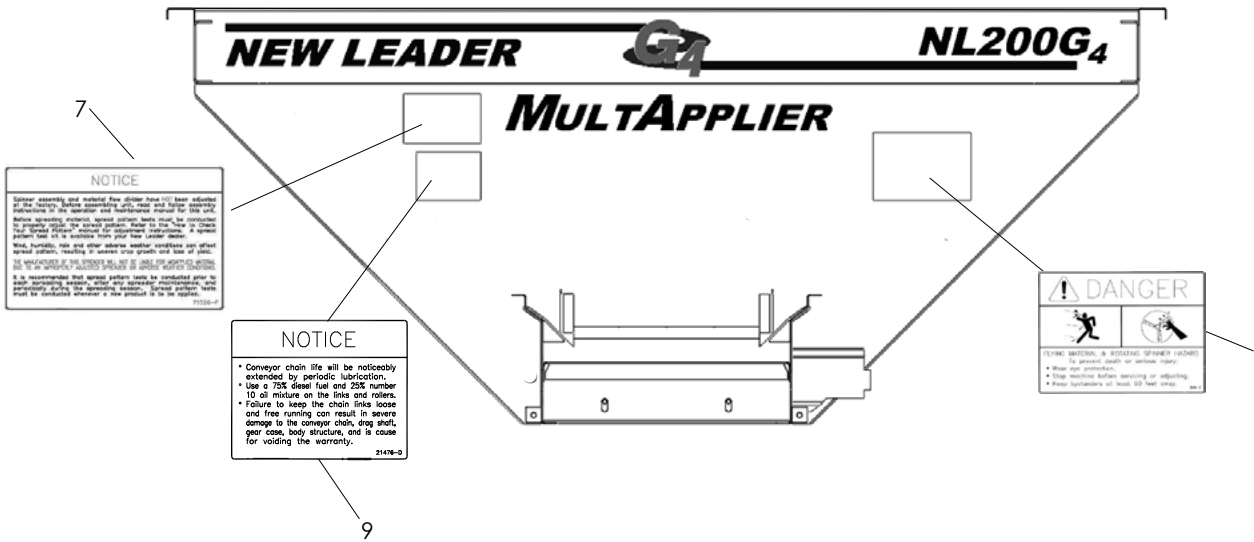
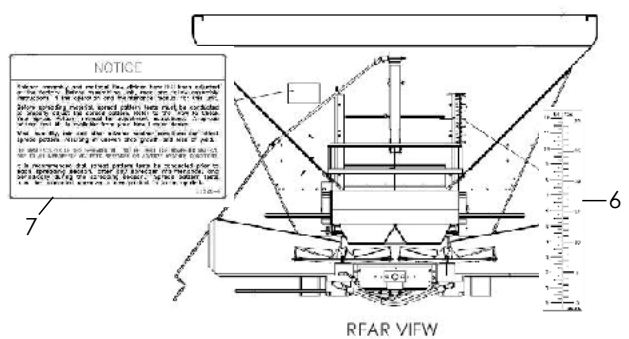
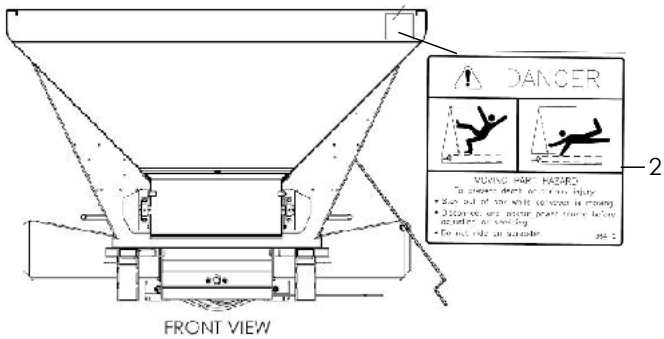
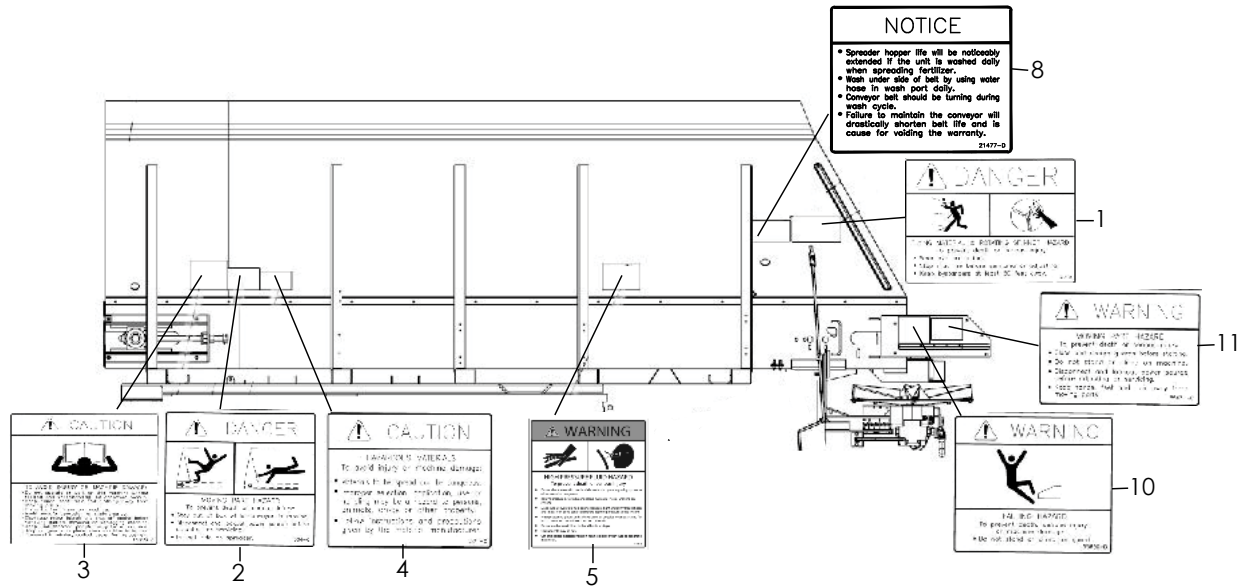
ITEM	PART NO.	DESCRIPTION	QTY
1	84762	Decal – New Leader Black	2
2	305825-AA	Decal – Kit LH & RH JD Stripes	1
3	305826	Decal - JD Leaping Deer	1
4	306348	Decal - MULTAPPLIER Black	1

PARTS LIST





ITEM	PART NO.	DESCRIPTION	QTY
1	84762	Decal – New Leader Black	2
2	87122	Decal – G4 Black/Red	2
3	312561	Decal – New Leader Black	3
4	86895	Decal - L3220 Black	1
5	300403	Decal – MULTAPPLIER Ready	1
6	306348	Decal – MULTAPPLIER Black	1



PARTS LIST

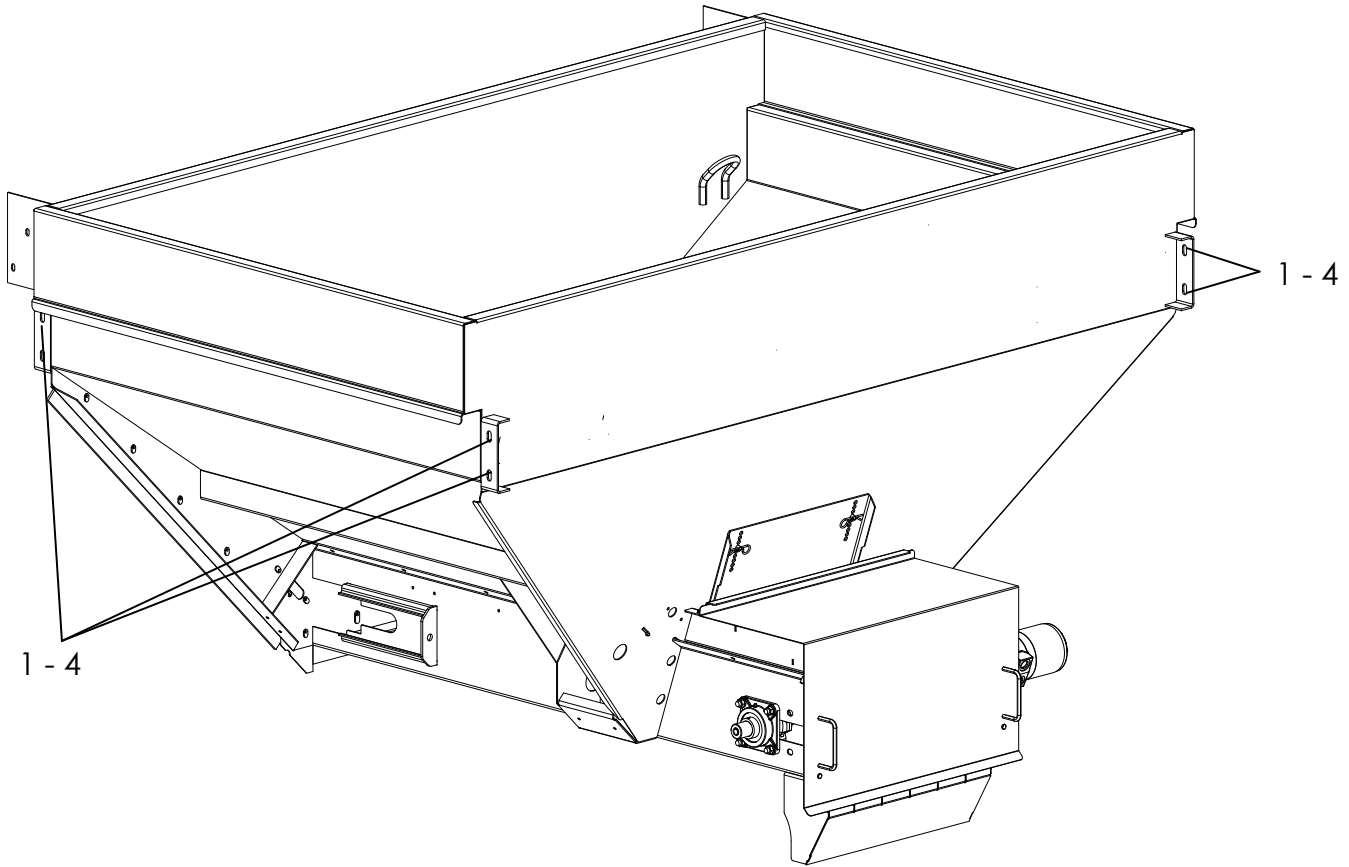


DECALS - SAFETY CONTINUED

<u>ITEM</u>	<u>PART NO.</u>	<u>DESCRIPTION</u>	<u>QTY</u>
1	368	Decal – Danger, Flying Material	2
2	364	Decal – Danger, Moving Part	3
3	150034	Decal – Caution Operation & Maintenance	1
4	321	Decal – Caution Hazardous Material	1
5	39138	Decal – Warning High Pressure Fluid	1
6	23769	Decal – Feedgate Ruler Scale 12”	1
	310521	Decal – Feedgate Ruler Scale 5”	1
7	71526	Decal – Notice, Adjust Spinner	1
8	21477	Decal - Notice, Conveyor Belt Life	1
9	21476	Decal – Notice, Conveyor Chain Life	1
10	55630	Decal – Warning, Falling Hazard	2
11	55631	Decal – Warning, Moving Part Hazard	2

For additional Safety Decals, see also *Drive and Snubber Guard* and *Guard - Front Cover*



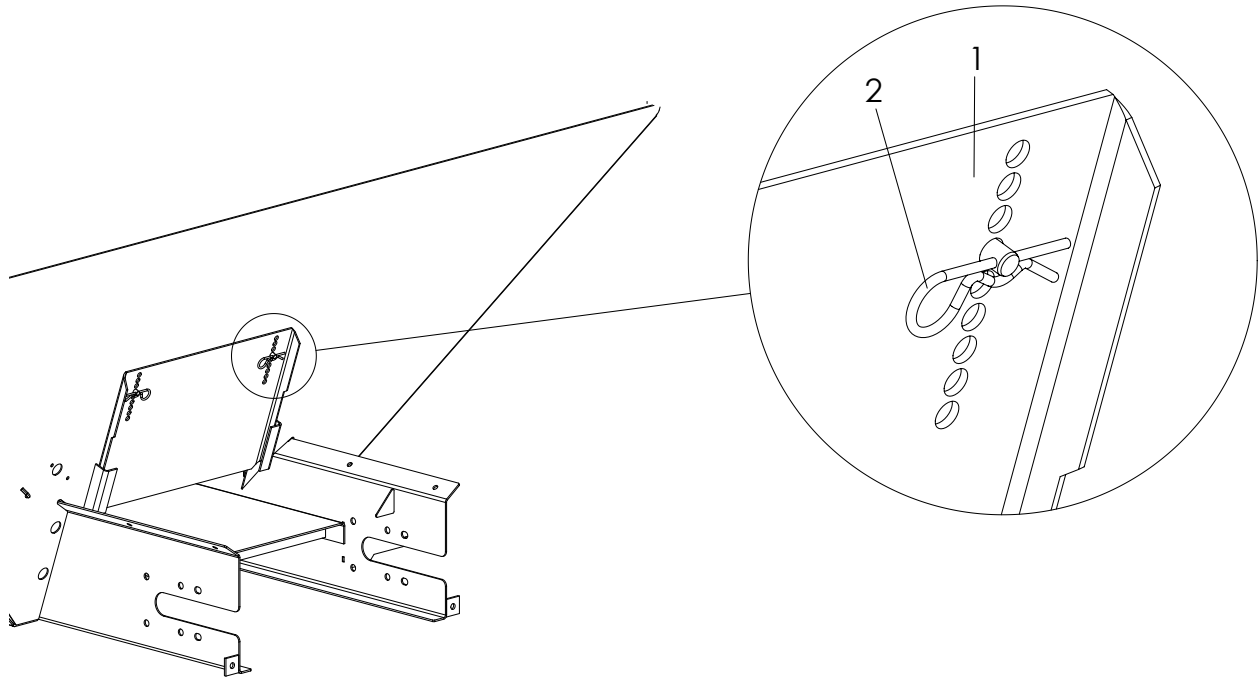


ITEM	PART NO.		DESCRIPTION	QTY
	Style I	Style II		
	86951	86951	Hardware - Kit Mount	
1	20128-X1	20128-X1	Cap Screw - 1/2 x 1 1/4 Grade 8	8
2	20695	20695	Washer - Flat 1/2	16
3	20714	20714	Washer - Lock 1/2	8
4	20646	20646	Nut - Hex 1/2	8

AR - As Required

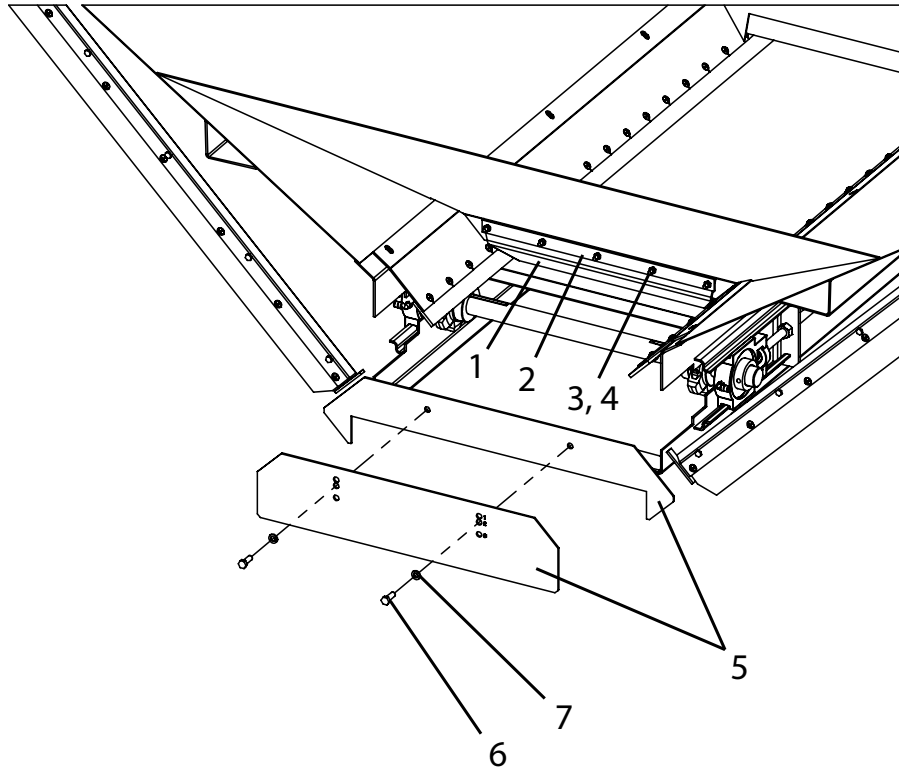
PARTS LIST





<u>ITEM</u>	<u>PART NO.</u>	<u>DESCRIPTION</u>	<u>QTY</u>
1	306579	Panel - Feedgate	1
2	36429	Pin - Hair	2

MULTAPPLIERS WIPER & FRONT FEEDGATE - STYLE I



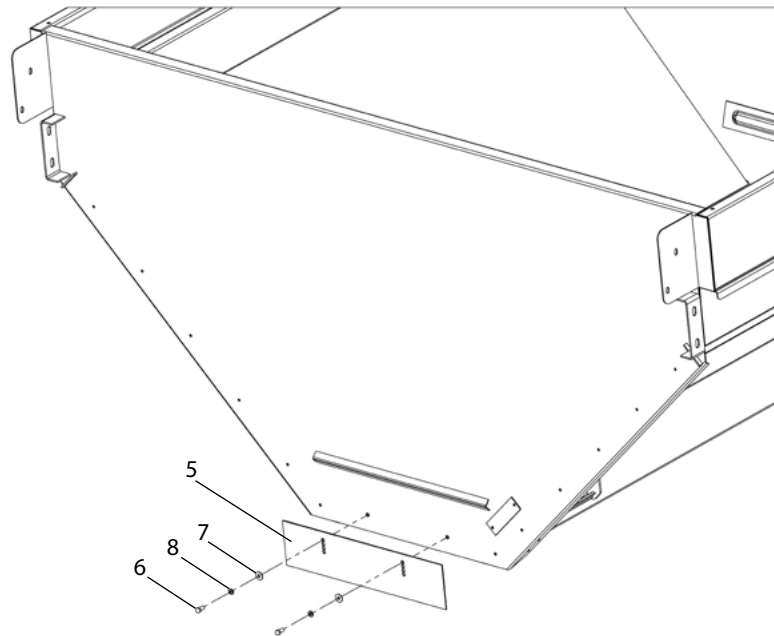
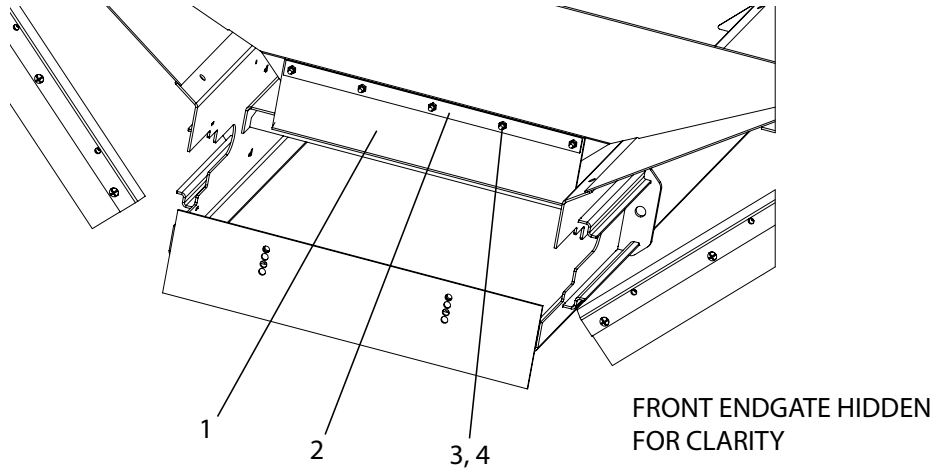
Note: Front endgate removed for clarity.

<u>ITEM</u>	<u>PART NO.</u>	<u>DESCRIPTION</u>	<u>QTY</u>
1	39426	Wiper – Belt Front	1
2	54230	Retainer – Wiper	1
3	42033	Screw - Truss Head 1/4 x 1	5
4	36412	Nut – Hex 1/4	5
5	311102	Panel - Feedgate	1
	311101	Frame - Feedgate	1
6	36398	Cap Screw - 3/8 x 1	2
7	36420	Washer - Lock 3/8	2

PARTS LIST



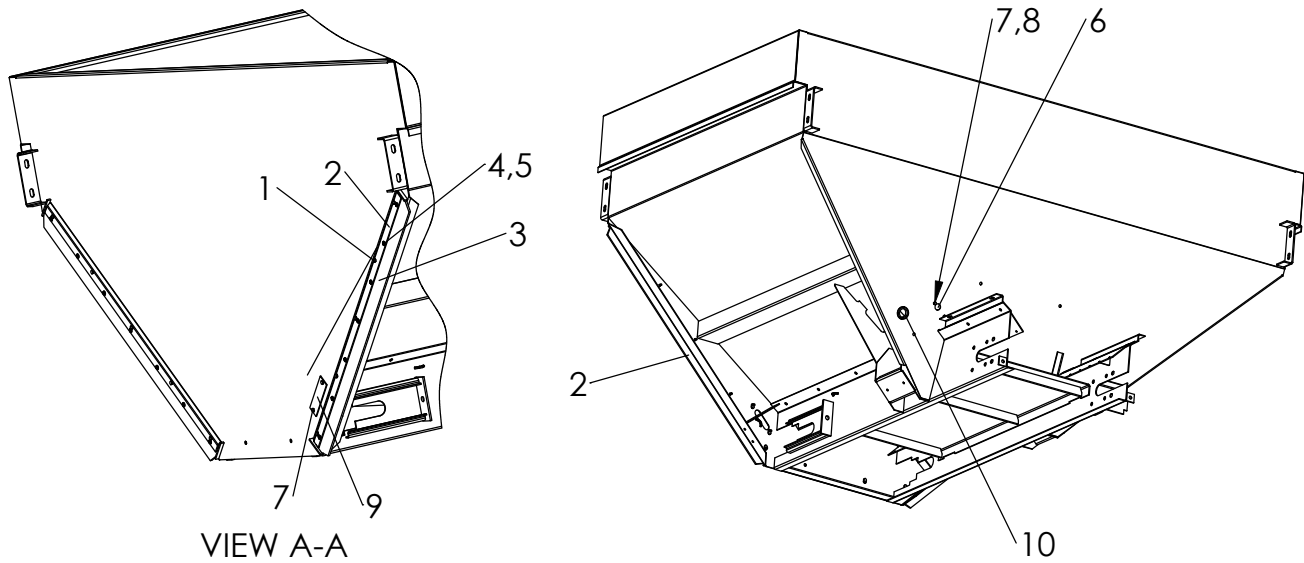
MULTAPPLIER WIPER & FRONT FEEDGATE - STYLE II



<u>ITEM</u>	<u>PART NO.</u>	<u>DESCRIPTION</u>	<u>QTY</u>
1	39426	Wiper – Belt Front	1
2	54230	Retainer – Wiper	1
3	42033	Screw – Machine 1/4-20NC x 1	5
4	36412	Nut – Hex 1/4-20NC	5
5	306583	Feedgate - 304	1
6	36293	Cap Screw - 3/8-16NC x 3/4 SS	2
7	36425	Washer - Flat 3/8 SS	2
8	36420	Washer - Lock 3/8 SS	2



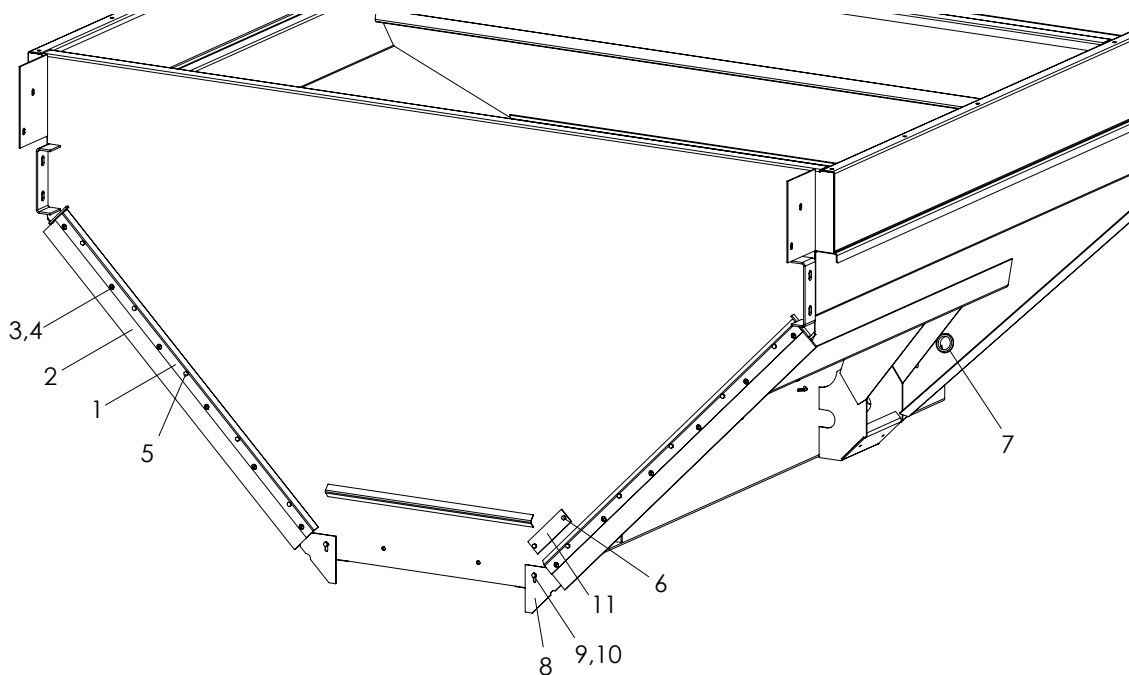
MULTAPPLIER SEALERS - STYLE I



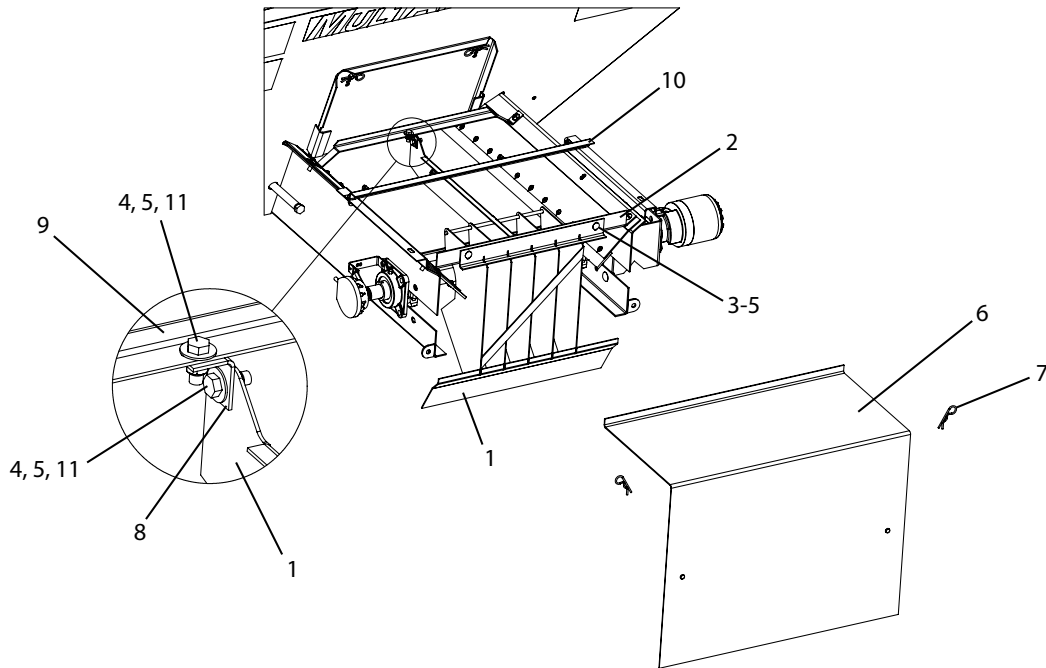
<u>ITEM</u>	<u>PART NO.</u>	<u>DESCRIPTION</u>	<u>QTY</u>
	310669	Seal - Assy, Includes 2-5	2
1	36395	Cap Screw - 1/4-20NC x 1 SS	10
2	310664	Retainer - Seal 304	1
3	310668	Seal - 3 x 1/4 x 42-1/4	1
4	88931	Nut - Tee 1/4 x 1/4	7
5	56258	Screw - Truss Head 1/4-20 x 1/2 SS	7
6	305832	Plate - Bin Sensor	1
7	36393	Cap Screw - 1/4-20NC x 3/4 SS	4
8	42034	Nut - Lock 1/4-20 SS	2
9	307125	Plate - Bin Sensor 304	1
10	34129	Grommet - Rubber	1

PARTS LIST



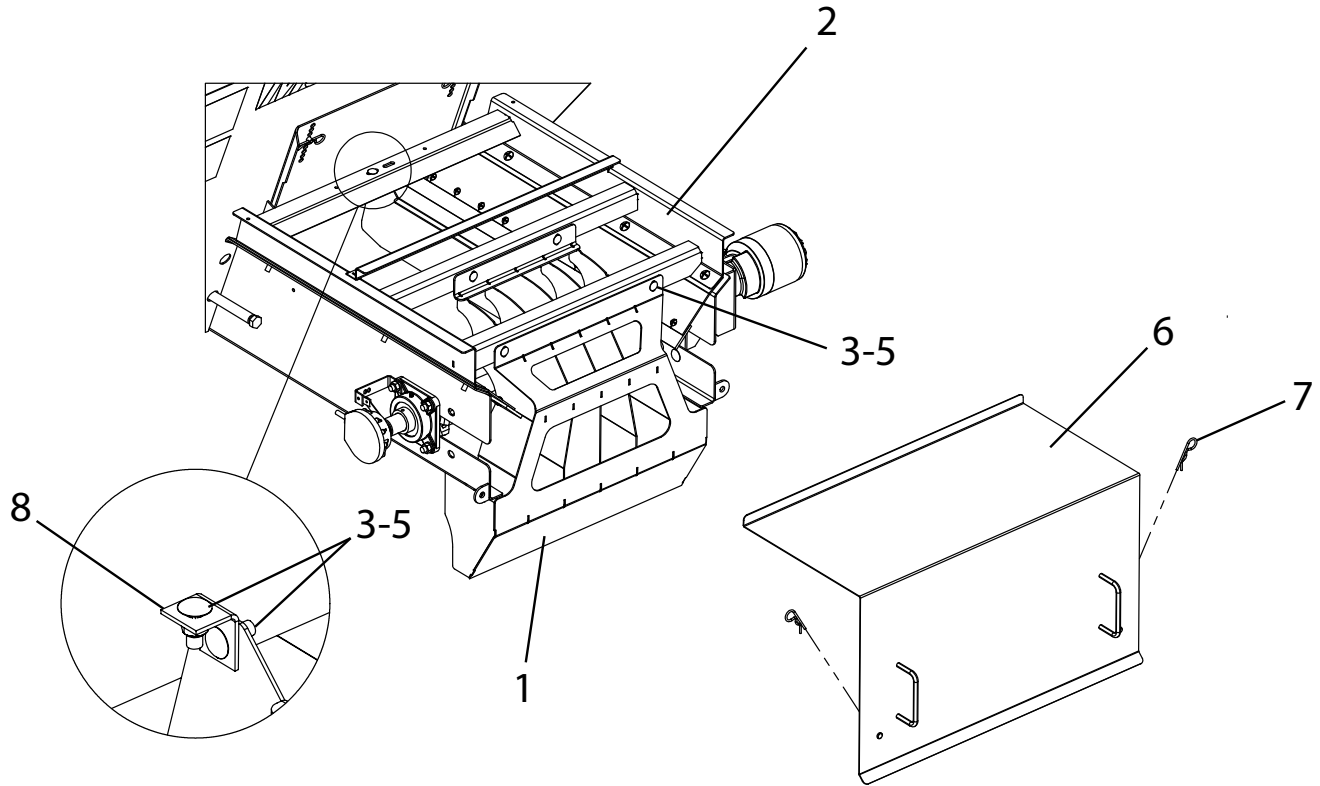


<u>ITEM</u>	<u>PART NO.</u>	<u>DESCRIPTION</u>	<u>QTY</u>
	312361	Seal - Assy, Includes 1-4	2
1	312362	Retainer - Seal 304	2
2	312363	Seal - 3 x 1/4 x 40-1/2	2
3	56258	Screw - Truss Head 1/4-20NC x 1/2 SS	12
4	88931	Nut - Tee 1/4 x 1/4	12
5	36395	Cap Screw - 1/4-20NC x 1 SS	10
6	36393	Cap Screw - 1/4-20NC x 3/4 SS	2
7	34129	Grommet - Rubber	1
8	306707	Sealer - Endgate Bolt-In 304	2
9	36418	Washer - Lock 1/4 SS	2
10	40750	Cap Screw - 1/4-20NC x 1-1/4 SS	2
11	307125	Plate - Bin Sensor 304	1



ITEM	PART NO.	DESCRIPTION	QTY
1	310503	Hillside Divider Wldmt 304	1
2	86825	Support - Divider 304	1
3	36408	Bolt - Carriage 3/8-16NC x 1 SS	4
4	36425	Washer - Flat 3/8 SS	4
5	72054	Nut - Lock 3/8-16NC SS	4
6	98562	Cover - Wldmt Rear 304	1
7	36429	Pin - Hair	2
8	306575	Clamp - Angle 304	1
9	306576	Support - Divider 304	1
10	98555	Hold Down - Cover Rear 304	1
11	36398	Cap Screw - 3/8-16 NC x 1 SS	2

Note: Use chain shield hardware to attach Items 2 & 9 to sills.

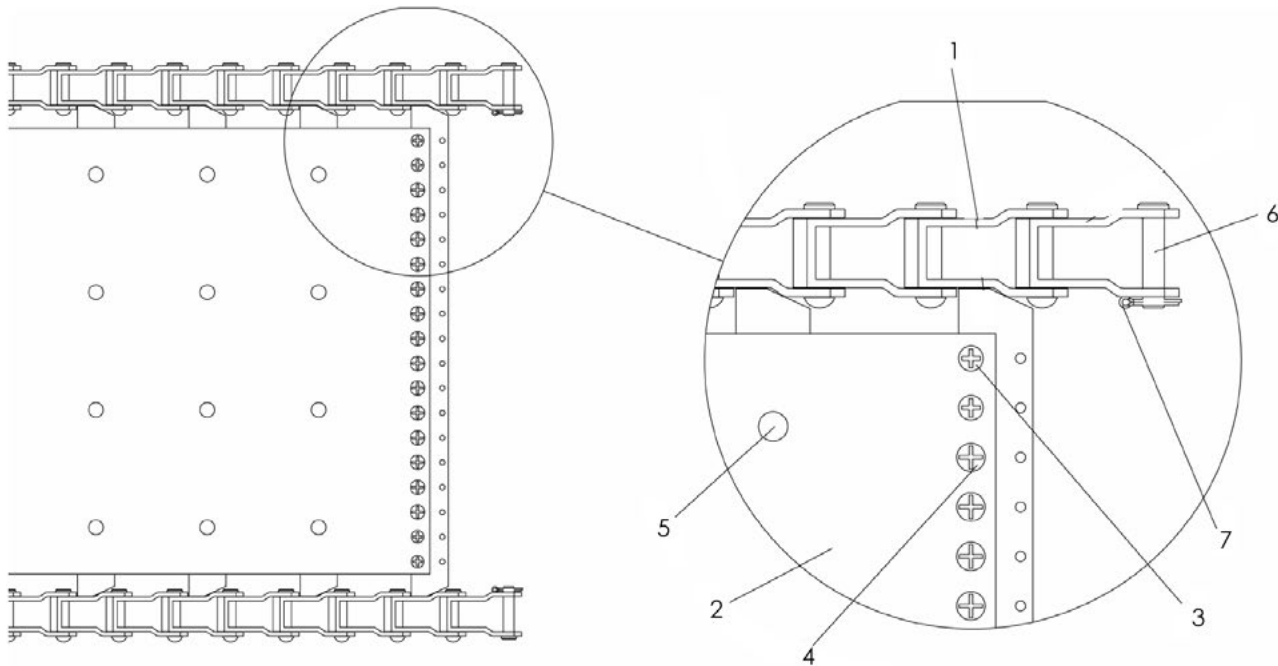


ITEM	PART NO.	DESCRIPTION	QTY
1	312348	Hillside Divider Wldmt 304	1
2	312350	Support - Hillside Divider Wldmt 304	1
3	36408	Bolt - Carriage 3/8-16NC x 1 SS	4
4	36425	Washer - Flat 3/8 SS	4
5	72054	Nut - Lock 3/8-16NC SS	4
6	311444	Cover - Wldmt Rear 304	1
7	36429	Pin - Hair	2
8	306575	Clamp - Angle 304	1



Please Give Part No., Description
& Unit Serial No.

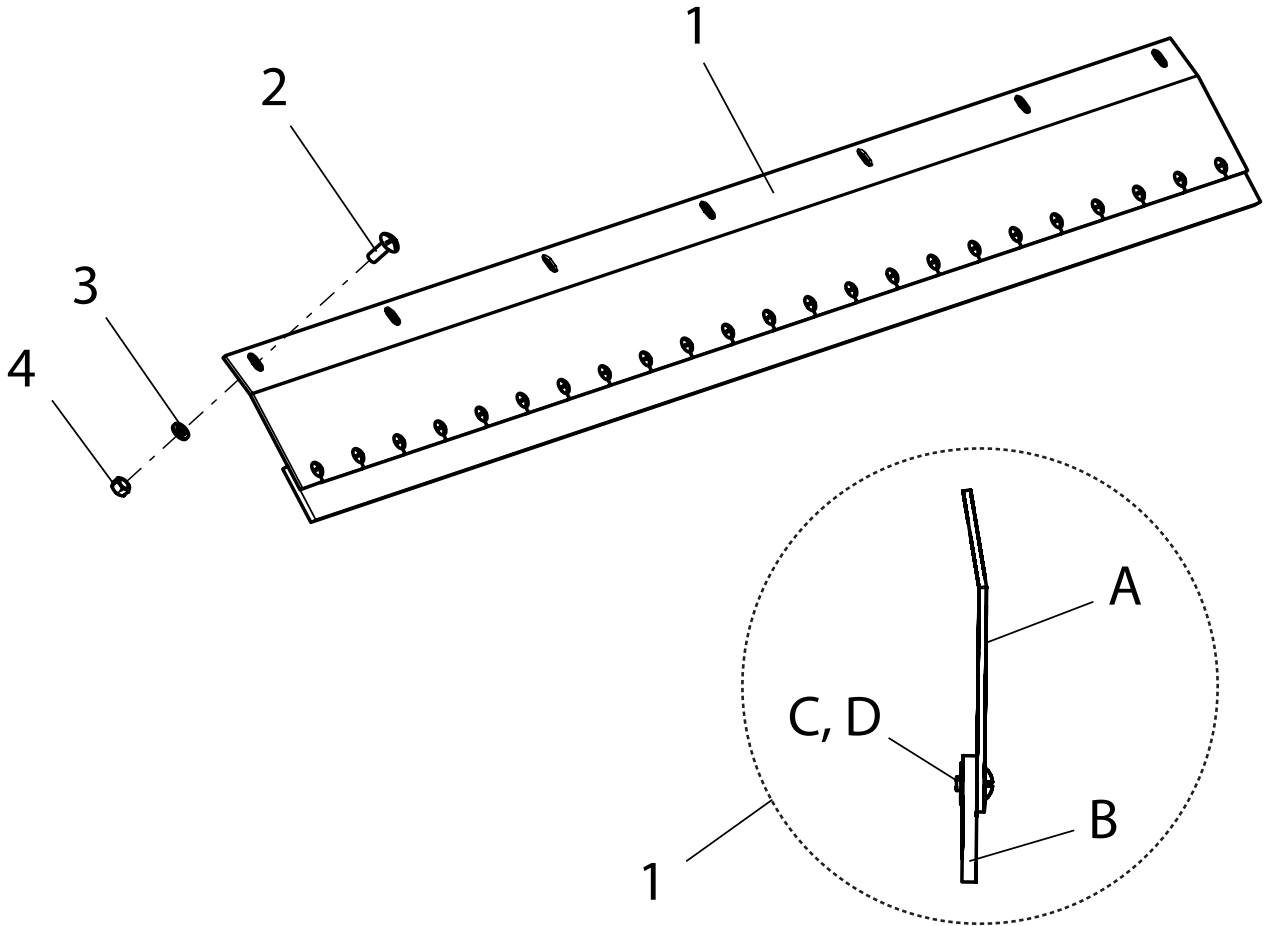
MULTAPPLIER #4 BELT-OVER-CHAIN



<u>ITEM</u>	<u>PART NO.</u>	<u>DESCRIPTION</u>	<u>QTY</u>
	308712-AB	Belt-Over-Chain - #4 5' MOR	1
3	20617	Screw - Flat 1/4-20NC x 1/2	8
4	20624	Screw - Truss 1/4-20NC x 1/2	28
5	308534	Screw - 1/4 x 1/2-20NC	124
6	21118	Pin - Chain Pintle	2
7	20817	Pin - Cotter	2
	70755	Crossbar - Wldmt With Pins & Splicebar	AR

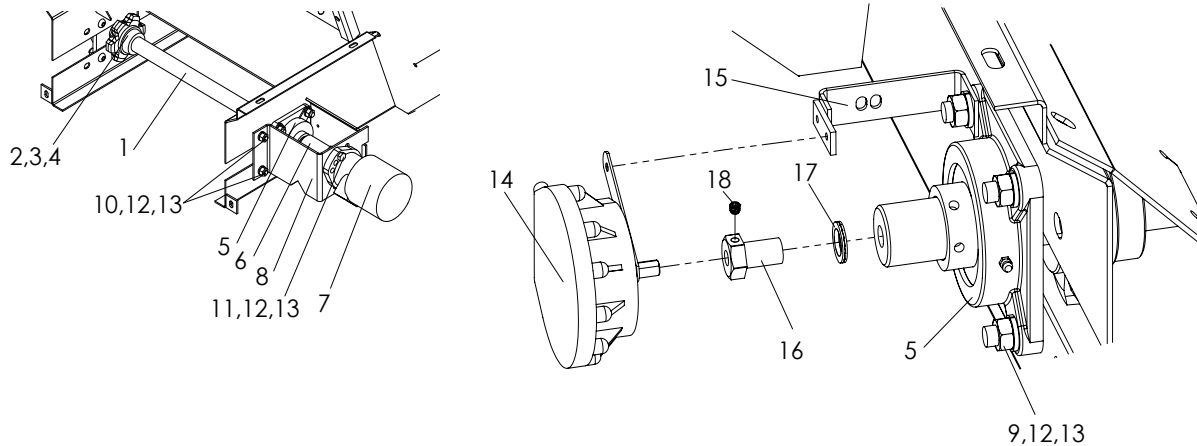
PARTS LIST





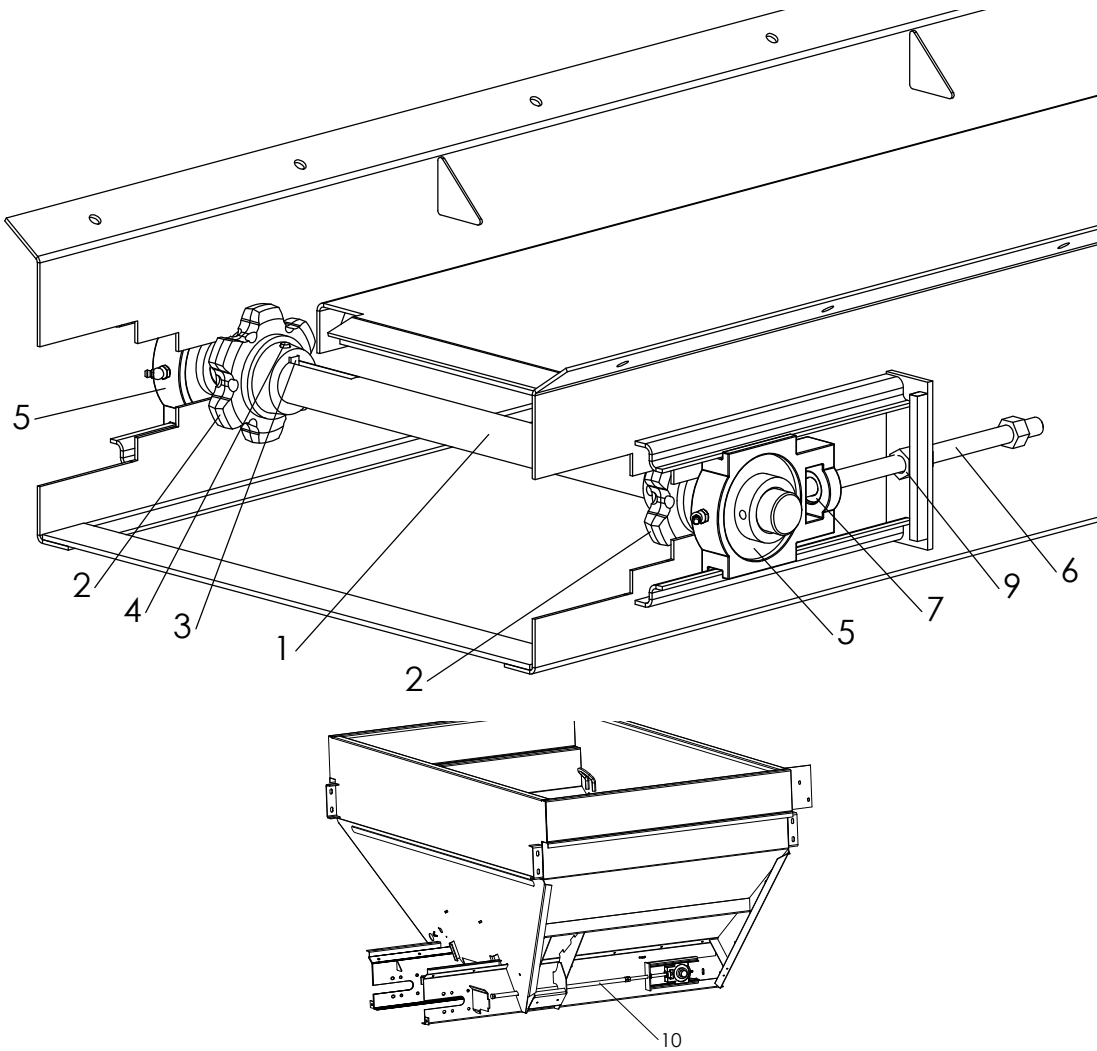
<u>ITEM</u>	<u>PART NO.</u>	<u>DESCRIPTION</u>	<u>QTY</u>
1	302828	Shield – Chain Assy	2
A	302827	Shield – Chain	2
B	305975	Belting – Sealer, specify length	AR
C	56258	Screw – Truss Hd 1/4-20 x 1/2	54
D	88931	Nut – Tee 1/4 x 1/4	54
2	71829	Screw – Machine 3/8-16 x 1 SS	14
3	36420	Washer – Lock 3/8 SS	14
4	36414	Nut – Hex 3/8-16 SS	14

AR – As Required



<u>ITEM</u>	<u>PART NO.</u>	<u>DESCRIPTION</u>	<u>QTY</u>
	86759-X1	Shaft - Drive Assy, Includes Items 1-5	
1	310644	Shaft - Drive	1
2	86757	Sprocket	2
3	6131	Key - Square	2
4	20743	Screw - Set	4
5	6697	Bearing	2
6	86762	Coupling - Shaft	1
	* 4059	Key - Square 5/16 x 1-1/2	1
7	311056	Motor - Hydraulic 17.1 CID	1
	*56327	Seal Kit	
8	86766	Mount - Motor	1
9	304484	Screw - Button Head 1/2-13NC x 1-1/2 SS	8
10	72056	Bolt - Carriage 1/2-13NC x 1 SS	2
11	36539	Cap Screw - 1/2-13NC x 1-1/2 SS	2
12	36422	Washer - Lock 1/2 SS	12
13	36416	Nut - Hex 1/2 SS	12
14	303994	Encoder - Conveyor 180	1
15	304953-X1	Bracket - Encoder	1
16	310601	Coupler - Rate Sensor	1
17	310602	Washer - Special Lock	1
18	310603	Screw - Set 1/4-20NC x 5/16 SS	1

* - Not Shown



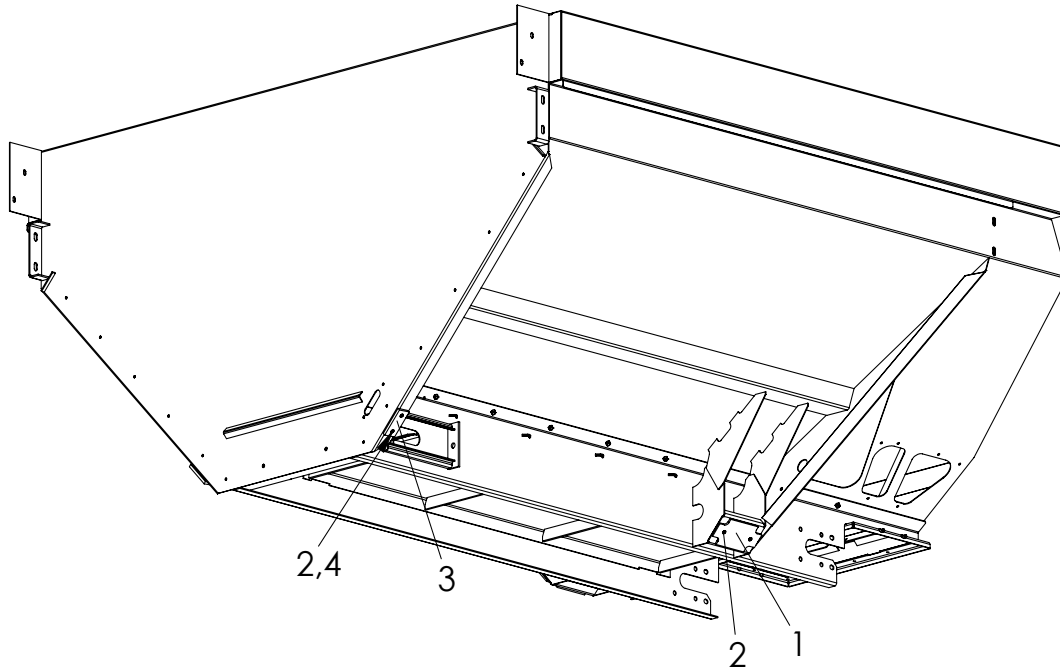
ITEM	PART NO.	DESCRIPTION	QTY
	89780	Shaft - Idler Assy, Includes 1-5	
1	89779	Shaft - Idler	1
2	86757	Sprocket	2
3	6131	Key - Square	2
4	20743	Screw - Set 5/16-18NC x 3/8	4
5	22511	Bearing	2
6	87857	Bolt Wldmt	2
7	17078	Collar - Set	2
8	* 36417	Nut - Hex 5/8 SS	2
9	87856	Nut Wldmt 304	2
10	306974	Extended Idler - Pipe Wldmt Adj 5' 304	2

* - Not Shown



Please Give Part No., Description
& Unit Serial No.

MULTAPPLIER MOUNTS

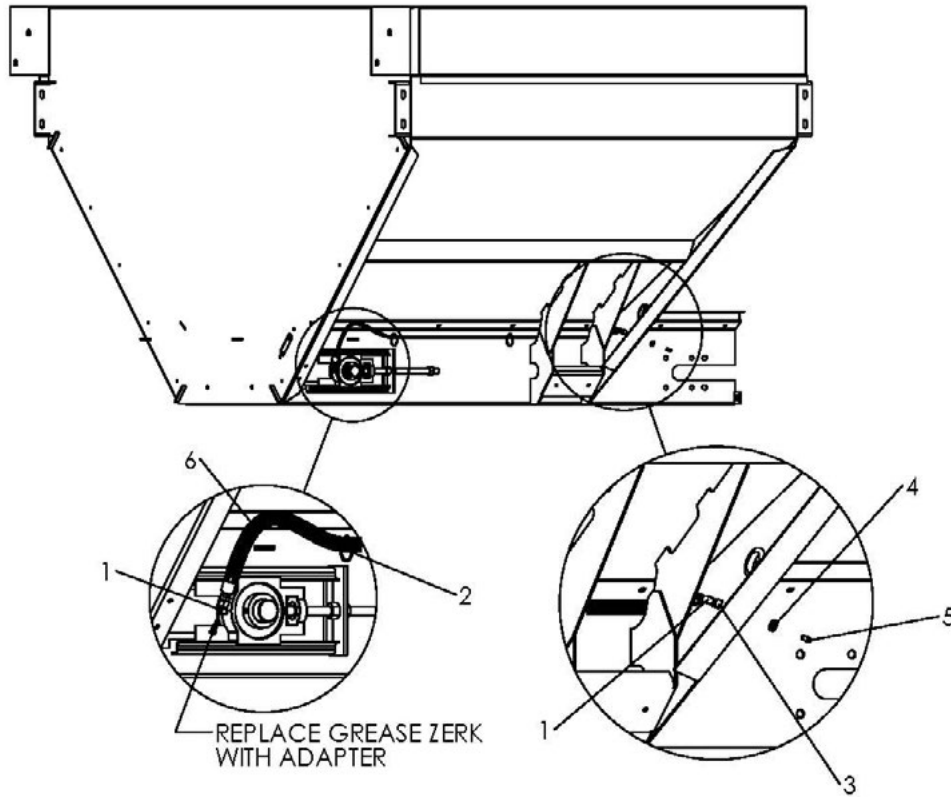


<u>ITEM</u>	<u>PART NO.</u>	<u>DESCRIPTION</u>	<u>QTY</u>
1	306924	Mount - Foot Pad	2
2	47268	Screw - Flathead 1/4-20NC x 1 SS	8
3	307097	Mount - Pad	2
4	42034	Nut - Lock 1/4-20NC SS	4

PARTS LIST



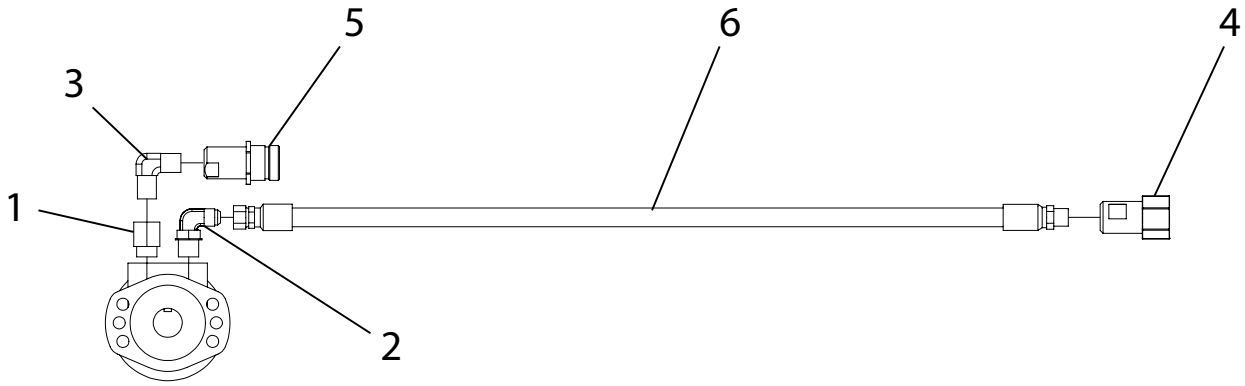
MULTAPPLIER IDLER GREASE ZERKS



ITEM	PART NO.		DESCRIPTION	QTY
	Style I	Style II		
1	34734	34734	Adapter - Elbow	4
2	99674	311806	Tie - Cable	AR
3	301332	301332	Connector - Bulkhead	2
4	301333	301333	Nut - Lock Connector	2
5	6072	6072	Zerk - Grease	2
6	307131	307131	Hose - Assembly 5'	2

AR - As Required





<u>ITEM</u>	<u>PART NO.</u>	<u>DESCRIPTION</u>	<u>QTY</u>
1	22020	Fitting - 10-8 Non Standard	1
2	29772	Fitting - 8-10 070220	1
3	34742	Fitting - 8-8 140237	1
4	96651	Disconnect - Quick Female	1
5	96652	Disconnect - Quick Male	1
6	98667	Hose Assembly - 1/2 x 36	1

PARTS LIST

