



**NL4500 G4 EDGE
MULTAPPLIERS / MULTIBIN
Parts Manual**

UNIT SERIAL NUMBER _____

INSERT SERIAL NUMBER _____

MANUAL NUMBER: 311750-AB-G

EFFECTIVE 03/2022



**1330 76TH AVE SW
CEDAR RAPIDS, IA 52404-7052
PHONE (800) 363-1771 | FAX (319) 286-3350
www.newleader.com**

Copyright 2021 New Leader Manufacturing

Table of Contents

Table of Contents.....	2
Interactive Features.....	4
Instructions for Ordering Parts.....	5
Mounting Angle.....	6
Body.....	8
Inverted "V".....	8
Sight Window.....	9
Side Boards - Single Bin.....	10
Endgate, Feedgate & Jack.....	12
Fenders- Full Flotation Tires.....	14
Fenders - Super Flotation Tires.....	16
Lubrication.....	18
Body Hydraulics.....	20
Standard Hydraulics.....	20
Hi Performance Hydraulics.....	24
Standard Hydraulic Valve.....	36
Hi Performance Hydraulic Valve.....	40
Hydraulic Reservoir - Standard Hydraulics.....	44
Hydraulic Reservoir - Hi Performance Hydraulics.....	46
Hydraulic Reservoir w/ Cooler.....	48
Standard Hydraulics - 4.38 CID Pump.....	52
Standard Hydraulics - 4.46 CID Tandem Pump.....	54
Hi Performance Pump Hydraulics.....	56
Conveyor.....	58
#3 PintleChain Conveyor.....	58
#4 Belt-Over-Chain Conveyor.....	59
Conveyor Chain Shields.....	60
Conveyor Idler.....	62
Conveyor Drive.....	64
Gearcase - Dual Pinion Assembly Standard Hydraulics.....	66
Gearcase - Dual Pinion Assembly Hi Performance Hydraulics.....	67
Gearcase Service Parts.....	68
Gear Case Breather Tube.....	69
Encoder.....	70
Cover.....	71
Conveyor Chain Oiler.....	72
Wiper Front.....	74
Rear Wiper - #3 Conveyor.....	75
Decals.....	76
Electronics.....	78
Hydraulic Reservoir Sensors.....	78
Bin Sensor.....	79
Controller Mount.....	80
Enclosure Assembly.....	82
Controller - Body.....	84
Controller - Main Bin.....	86
Switch Box & Harness.....	88
Spinner.....	90
Spinner - Material Divider.....	90
Hillside Divider.....	91
Spinner Assembly.....	92
Spinner Guards & Deflectors.....	95

Spinner Speed Sensors.....	96
MultApplier.....	98
Body.....	98
Rear Feedgate.....	99
Front Feedgate & Wiper.....	100
Sealer.....	101
Hillside Divider & Cover.....	102
#4 Belt-Over-chain Conveyor.....	103
Chain Shields.....	104
Conveyor Drive & Encoder.....	105
Idler.....	106
Mounts.....	107
Hydraulics.....	108
Hi Performance Hydraulics.....	112
Controller - MultApplier.....	116
Multibin.....	118
Mounting Hardware.....	118
Mounting Pads.....	119
Feedgate.....	120
Front Feedgate & Wiper.....	121
Panel - Single.....	122
Panel - Dual.....	123
Sealer-Front.....	124
#4 Belt-Over-Chain Conveyor.....	125
Chain Shields.....	126
Hydraulics.....	127
Idler Zerk.....	131
Conveyor Idler.....	132
Conveyor Drive.....	134
Conveyor Motor.....	135
Conveyor Encoder.....	136
Divider.....	137
Micro Group.....	138
Micro Assembly.....	140
Micro Screens.....	142
Cover Group.....	143
Cover Assembly.....	144
Air Cylinder - Cover.....	147
Controller - MultiBin.....	148
Controller - MultiBins.....	152
Bin Sensors.....	154
Lid Pneumatics.....	156
Decals.....	158

NOTE:

This manual incorporates several interactive features to provide supplemental information and ease of navigation. The information below is to aid in the identification and use of these features.

Hyperlinks

Hyperlinks provide direct access to a specific destination when clicked. The entire Table of Contents of this manual is hyperlinked to provide quick access to all sections of this manual when viewing the electronic version.

Hyperlinks within the content are denoted by blue, bold underlined text. Electronic format viewers can click these links for direct access to New Leader online features. Internet access is required.



Order from the **AUTHORIZED DEALER** in your area.

Always give the pertinent model and serial number.

Give part name, part number and the quantity required.

Give the correct address to where the parts are to be shipped, and the carrier if there is a preference.

Unless claims for shortages or errors are made immediately upon receipt of goods they will not be considered. Any part returns should be directed through the dealer from which they were purchased.

When broken goods are received, a full description of the damage should be made by the carrier agent on the freight bill. If this description is insisted upon, full damage can always be collected from the transportation company.

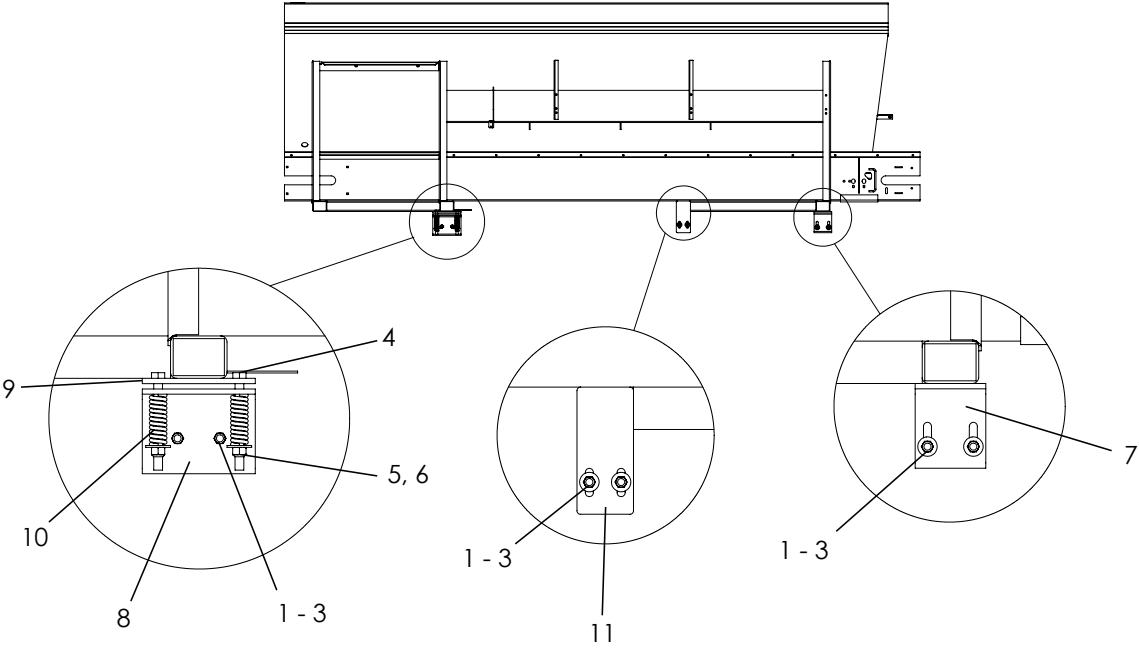
No responsibility is assumed for delay or damage to merchandise while in transit. Our responsibility ceases upon delivery of shipment to the transportation company from whom a receipt is received showing that shipment was in good condition when delivered to them, therefore, claims (if any) should be filed with the transportation company and not with New Leader Manufacturing.

If your claims are not being handled (by the transportation company) to your satisfaction, please call our Product Sales & Support Department at New Leader Manufacturing at (800) 363-1771 for assistance.

In the parts list the following symbols and abbreviations stand for:

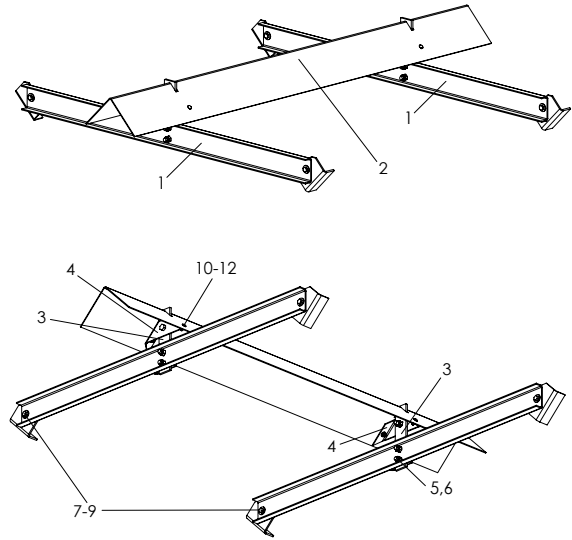
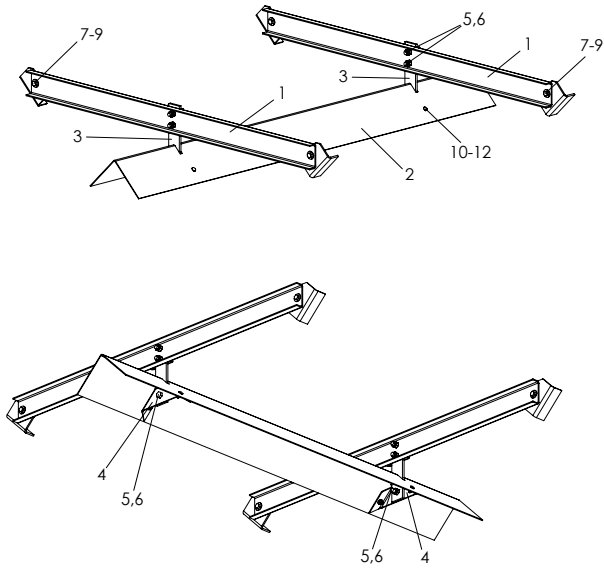
- * - Not Shown
- AR – As Required
- CS – Carbon Steel
- SS – Stainless Steel
- NS – Not Serviced

The parts listed under the different steel types (CS, 409 SS and 304 SS) are for that type of unit and do not necessarily mean the part is made of that type of steel.



<u>ITEM</u>	<u>PART NO.</u>	<u>DESCRIPTION</u>	<u>QTY</u>
	305579-AB	Hardware Kit - Includes 1 - 6	
1	20131	Cap Screw - 1/2-13NC x 2	12
2	20695	Washer - Flat 1/2	12
3	20680	Nut - Lock 1/2-13NC	12
4	41762	Nut - Lock 5/8-11NC	4
5	20195	Cap Screw - 5/8-11NC x 6-1/2	4
6	20697	Washer - Flat 5/8	4
7	31856	Angle - Mounting	2
8	81847	Angle - Tie Down	2
9	81848	Mounting - Bar	2
10	81000	Spring	4
11	310424	Mounting - Bar	2

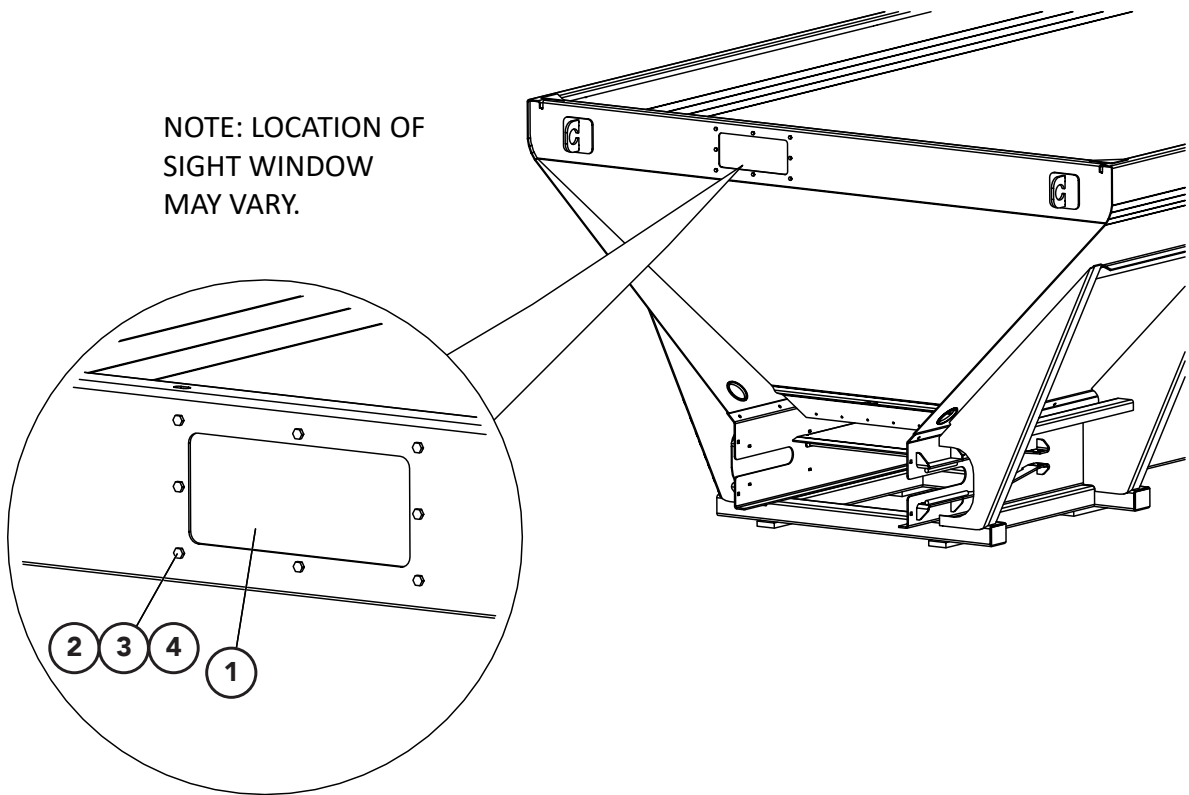
Inverted "V"



ITEM	PART NO.	DESCRIPTION	QTY		
			11'-12'	13'-14'	15'-16'
	304 SS		11'-12'	13'-14'	15'-16'
1	81263	Hanger – V Wldmt	2	2	3
2	82622	Inverted V - 7'	1	-	-
	82623	Inverted V – 9'	-	1	-
	82624	Inverted V - 11'	-	-	1
3	308646	Bar – Adjusting	2	2	3
4	302371	Bracket – V Bolt-on	2	2	3
5	58800	Cap Screw – 5/8-11NC x 1-3/4 SS	6	6	9
6	41762	Nut - Lock 5/8-11NC SS	6	6	9
7	36402	Cap Screw - 1/2-13NC x 1-1/4 SS	4	4	6
8	36426	Washer - Flat 1/2 SS	4	4	6
9	39016	Nut - Lock 1/2-13NC SS	4	4	6
10	42639	Bolt - Carriage 5/16-18NC x 1 SS	4	4	6
11	36424	Washer - Flat 5/16 SS	4	4	6
12	42221	Nut - Lock 5/16-18NC SS	4	4	6

Sight Window

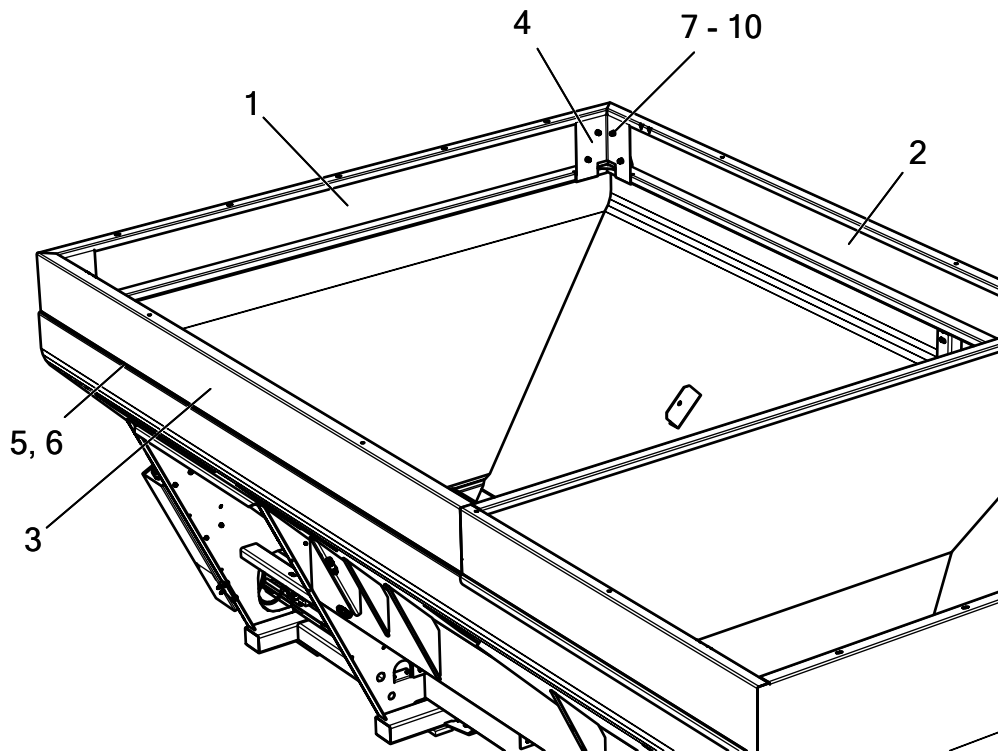
NOTE: LOCATION OF SIGHT WINDOW MAY VARY.



<u>ITEM</u>	<u>PART NO.</u>	<u>DESCRIPTION</u>	<u>QTY</u>
1	302686	Window - Sight 5" x 12"	1
2	36395	Cap Screw - 1/4-20NC x 1 SS	8
3	36423	Washer - Flat 1/4 SS	8
4	42034	Nut - Lock 1/4-20NC SS	8

Body

Side Boards - Single Bin

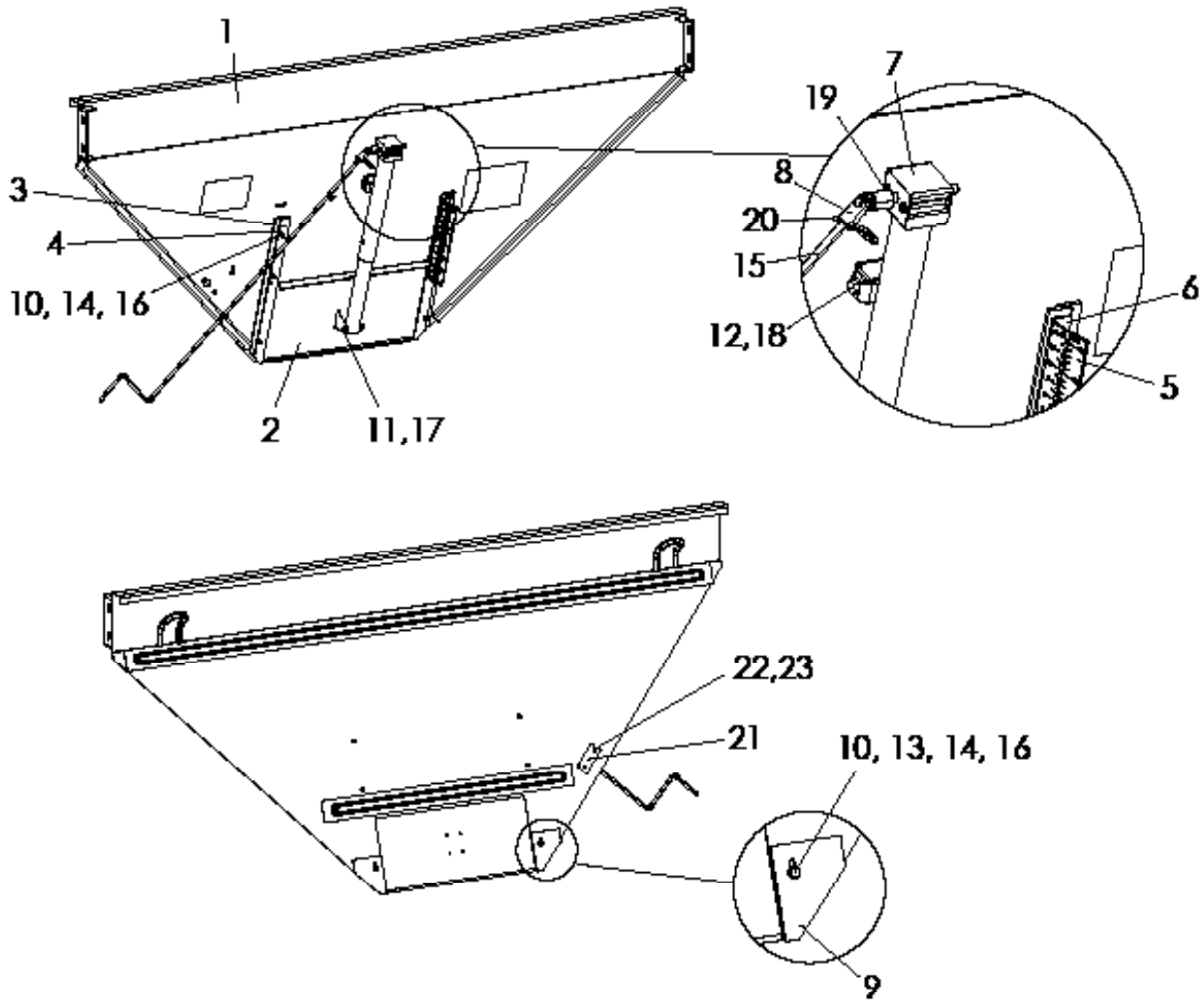


Body**Side Boards - Single Bin**

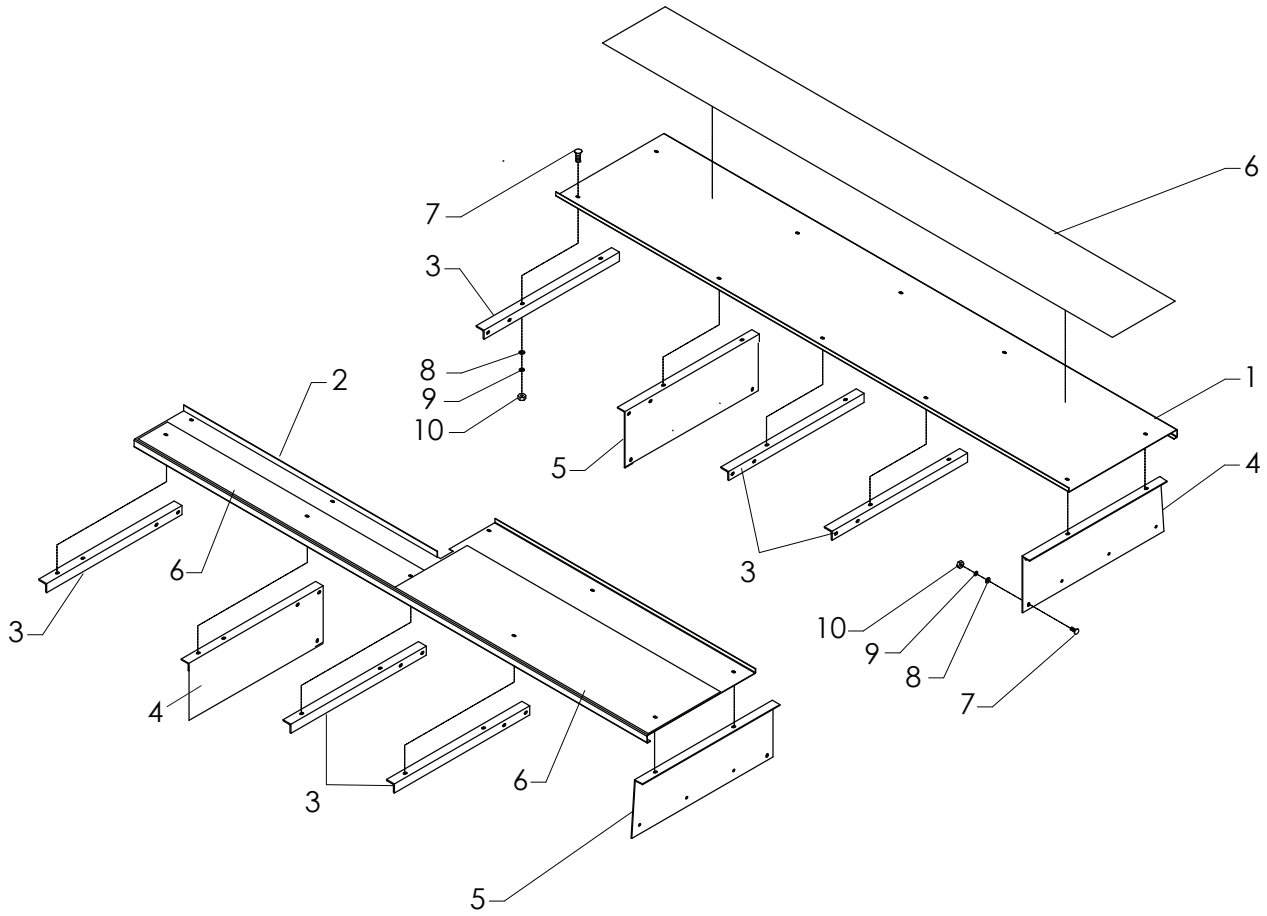
<u>ITEM</u>	<u>PART NO.</u>	<u>DESCRIPTION</u>	<u>QTY</u>
	98746	Kit - Hardware Side Boards SS, Includes Items 7 - 10	1
1	312601	Side Board – Front Wldmt	1
2	312922	RH Side Board Wldmt - 5'	1
	312924	RH Side Board Wldmt - 6'	1
	312602	RH Side Board Wldmt - 7'	1
	312926	RH Side Board Wldmt - 8'	1
	312928	RH Side Board Wldmt - 9'	1
3	312923	LH Side Board Wldmt - 5'	1
	312925	LH Side Board Wldmt - 6'	1
	312603	LH Side Board Wldmt - 7'	1
	312927	LH Side Board Wldmt - 8'	1
	312929	LH Side Board Wldmt - 9'	1
4	86867	Pocket – Side Board	2
5	53950	Rubber – 1/4 x 2-1/4	AR
6	96254-AB	Adhesive – Blk Cyanoacrylate*	AR
7	36398	Cap Screw – 3/8 x 1	12
8	36425	Washer – Flat 3/8	12
9	36420	Washer – Lock 3/8	12
10	36414	Nut – Hex 3/8	12

AR - As Required

* - Use adhesive to attach rubber to bottom of side boards.

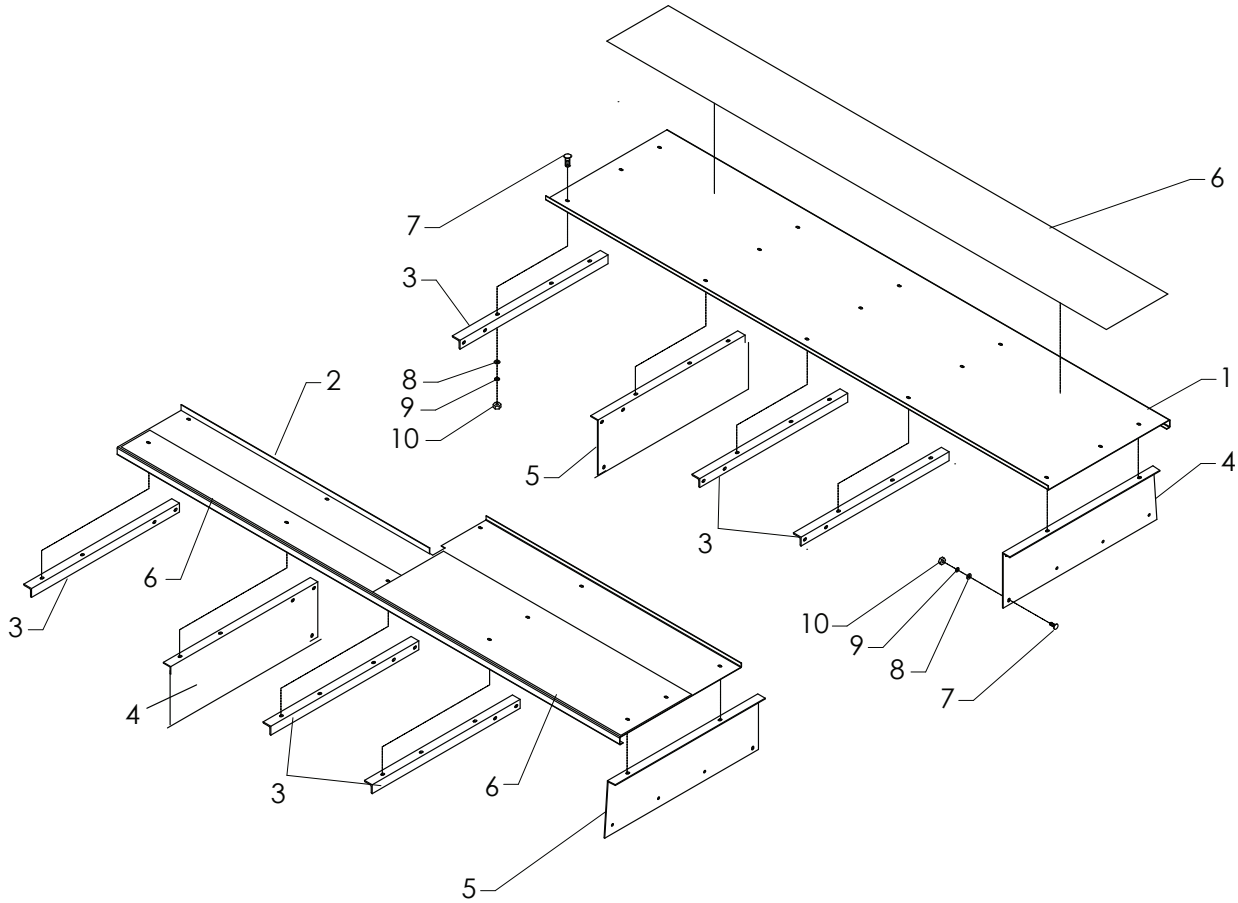


<u>ITEM</u>	<u>PART NO.</u>		<u>DESCRIPTION</u>	<u>QTY</u>
	409 SS	304 SS		
1	311691	311692	Endgate – Removable Wldmt	1
2	311684	311685	Feedgate - Wldmt	1
3	36384	36384	Slide - Feedgate	2
4	36385	36385	Guide - Feedgate	2
5	311604	311604	Scale - 0 to 12"	1
6	311690	311690	Decal Plate	1
7	312975	312975	Jack	1
8	85002	85002	U-Joint	1
9	305078	305078	Sealer - Endgate	2
10	40750	40750	Cap Screw – 1/4-20NC x 1-1/4 SS	6
11	71827	71827	Cap Screw - 3/8-16NC x 3 SS	1
12	80798	80798	Cap Screw - 1/2-13NC x 3-3/4 SS	1
13	36423	36423	Washer - Flat 1/4 SS	4
14	36418	36418	Washer – Lock 1/4 SS	6
15	311605	311605	Jack Handle	1
16	36412	36412	Nut - Hex 1/4-20NC SS	6
17	72054	72054	Nut - Lock 3/8-16NC SS	1
18	39016	39016	Nut - Lock 1/2-13NC SS	1
19	312268	312268	Pin - Roll SS	1
20	86878	86878	Pin - Hair	1
21	305832	305832	Plate - Bin Sensor	1
22	36393	36393	Cap Screw - 1/4-20NC x 3/4 SS	2
23	42034	42034	Nut - Lock 1/4-20NC SS	2



<u>ITEM</u>	<u>PART NO.</u>		<u>DESCRIPTION</u>	<u>QTY</u>
	409 SS	304 SS		
1	311522	311552	Fender - RH, 12' Unit	1
	311525	311555	Fender - RH, 13' Unit	1
	311528	311558	Fender - RH, 14' Unit	1
	311531	311561	Fender - RH, 15' Unit	1
	311534	311564	Fender - RH, 16' Unit	1
2	311521	311551	Fender - LH, 12' Unit	1
	311524	311554	Fender - LH, 13' Unit	1
	311527	311557	Fender - LH, 14' Unit	1
	311530	311560	Fender - LH, 15' Unit	1
	311533	311563	Fender - LH, 16' Unit	1
3	83021	96969	Angle - Fender	AR
4	83019	96967	Support - RH Rear	2
5	83020	96968	Support - LH Rear	2
6	83124	83124	Material - Non-Skid, 16" Wide	Inches
	21699	21699	Material - Non-Skid, 8" Wide	Inches
7	20318	36408	Bolt - Carriage 3/8 x 1	AR
8	20693	36425	Washer - Flat 3/8	AR
9	20712	36420	Washer - Lock 3/8	AR
10	20644	36414	Nut - Hex 3/8	AR
11	*304245	*304245	Mudflap - Midguard 1/2 x 44 x 36	2

AR - As Required * - Not Shown

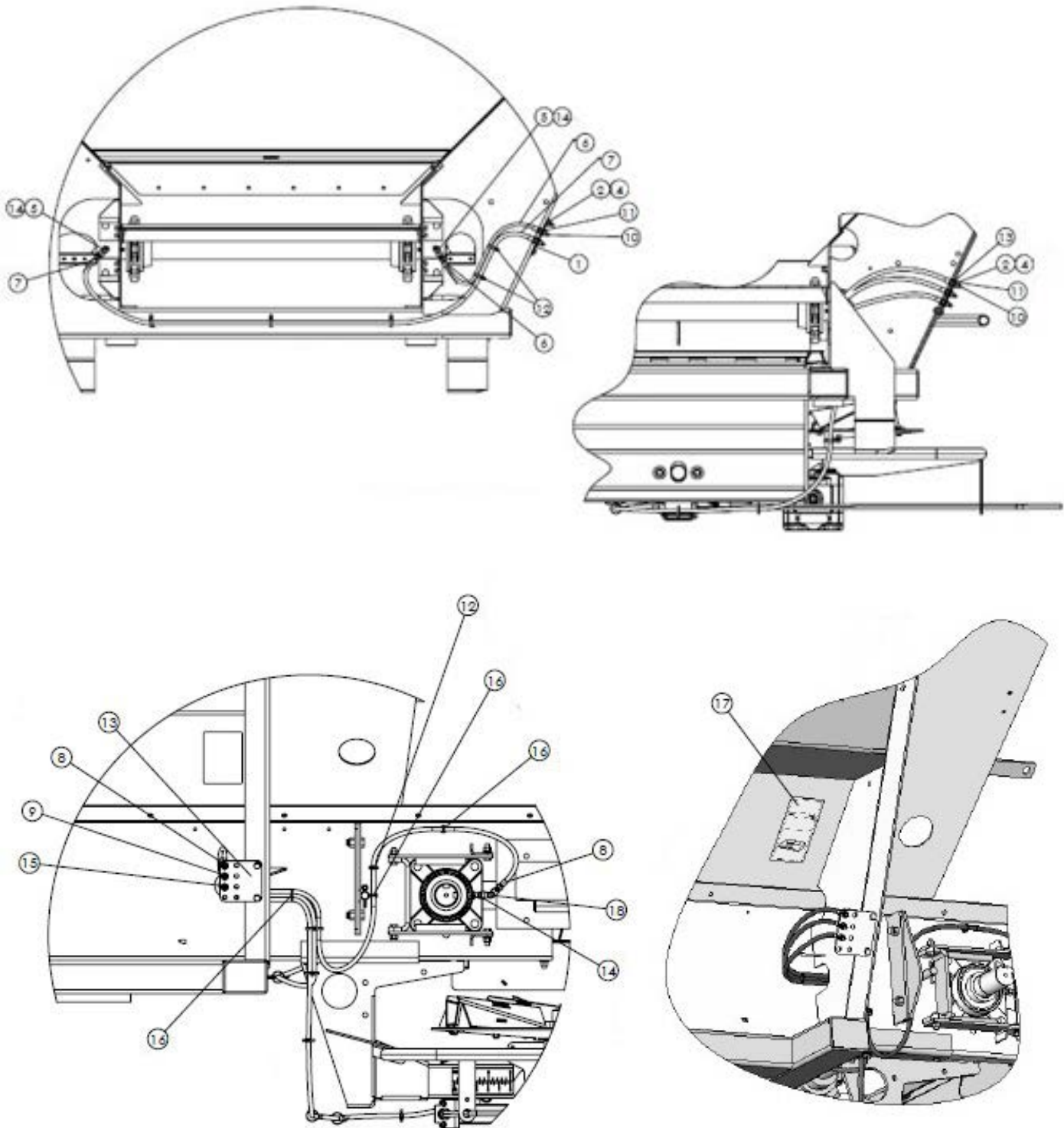


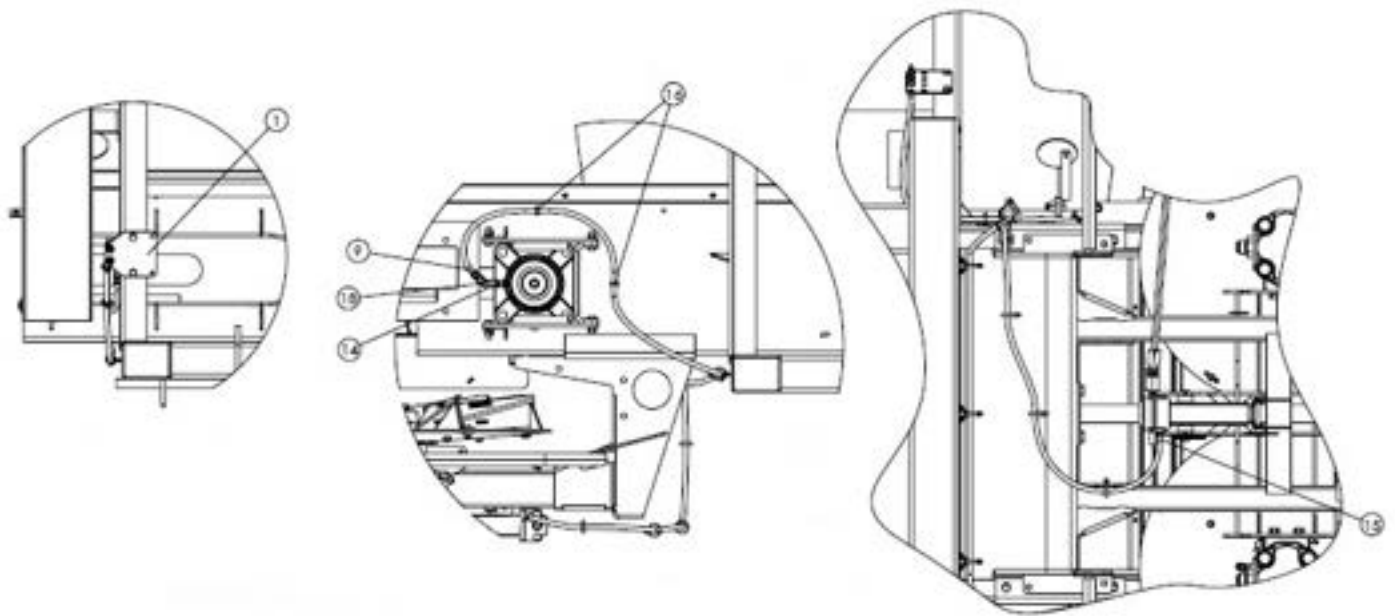
Fenders - Super Flotation Tires

NL4500G4

ITEM	PART NO.		DESCRIPTION	QTY
	<u>409 SS</u>	<u>304 SS</u>		
	83375	83375	Kit - Hardware Includes Items 6 - 9 (63x)	1
	311803	311803	Kit - Hardware Includes Items 8 (2x), 9 (2x), 10, 11	1
1	311537	311567	Fender - RH, 12' Unit	1
2	311536	311566	Fender - LH, 12' Unit	1
3	83256	96972	Angle - Fender	AR
4	83254	83254-X10	Support - RH Rear	2
5	83255	83255-X10	Support - LH Rear	2
6	83124	83124	Material - Non-Skid, 16" Wide	Inches
	21699	21699	Material - Non-Skid, 8" Wide	Inches
7	20318	36408	Bolt - Carriage 3/8 x 1	AR
8	20693	36425	Washer - Flat 3/8	AR
9	20712	36420	Washer - Lock 3/8	AR
10	20644	36414	Nut - Hex 3/8	AR
11	*304245	*304245	Mudflap - Midguard 1/2 x 44 x 36	2

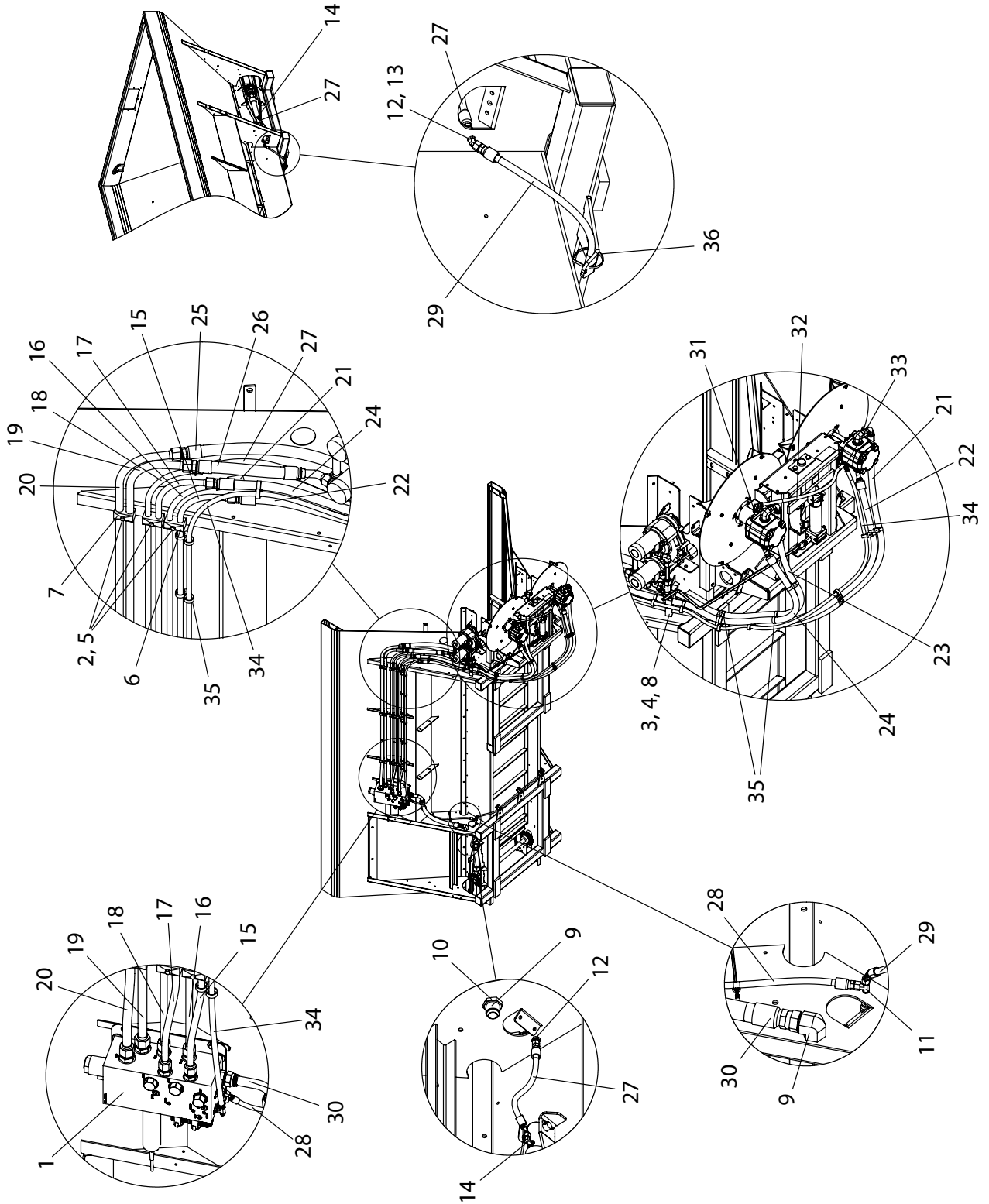
AR - As Required * - Not Shown





ITEM	PART NO.		DESCRIPTION	QTY
	NLM	AGCO		
1	314681	-	Plate - Grease Bank 409	1
2	56858	AG712858	Cap Screw - 5/16-18NC x 3/4 SS	4
3	Not Used	Not Used		
4	42221	AG712859	Nut - Lock .313-18NC SS	4
5	34868	AG716995	Fitting - 4-4 070221	2
6	311327	AG716995	Hose - Assy .125 X 20 Hlb	1
7	311326	589109D1	Hose - Assy .125 X 62 Hlb	1
8	311329	589112D1	Hose - Assy .125 X 52 Hlb	1
9	311328	589113D1	Hose - Assy .125 X 93 Hlb	1
10	311663	589107D1	Zerk - Grease .25-28 Straight	5
11	310471	587912D1	Nut - Bulkhead .125-27	5
12	99674	AG332197	Strap - Zip Tie 8 Black	15
13	314682	589105D1	Plate - Grease Bank 409	1
14	34787	ACP0559520	Fitting - 4-2 070102	4
15	311325	589114D1	Hose - Assy .125 X 77 Hlb	1
16	311806	589115D1	Tie - Wire Fir Tree	6
17	309770	595395D1	Decal - Notice Conv Chain Life	1
18	313501	ACW3452630	Fitting - 4-4 070321	2

Standard Hydraulics



Body Hydraulics**Standard Hydraulics**

<u>ITEM</u>	<u>PART NO.</u>	<u>DESCRIPTION</u>	<u>QTY</u>
1	318188	Valve - Mounting Assy	1
2	71830	Cap Screw - 5/16-18NC x 2-1/2	12
3	310741	Cap Screw - 3/8-16NC x 5 SS	1
4	72054	Nut - Lock 3/8-16NC SS	1
5	42221	Nut - Lock 5/16-18NC SS	12
6	75036	Clamp - Tubing Twin 3/4	8
7	300033	Clamp - Tubing Twin 1	4
8	305928	Clamp - Tubing Twin 1-1/4	2
9	306040	Fitting - 16-16 070701	1
10	306041	Fitting - 16 070118	1
11	311487	Fitting - 4-4-4 070958	1
12	311489	Nut - Bulkhead	2
13	311491	Fitting - 4-4 070801	1
14	29795	Fitting - 4-4 070220	2
15	311764	Tube - Assy 3/4 x 1/16 x 70 304 12' Unit	1
	311770	Tube - Assy 3/4 x 1/16 x 82 304 13' Unit	1
	311776	Tube - Assy 3/4 x 1/16 x 94 304 14' Unit	1
	311782	Tube - Assy 3/4 x 1/16 x 106 304 15' Unit	1
	311758	Tube - Assy 3/4 x 1/16 x 118 304 16' Unit	1
16	311765	Tube - Assy 3/4 x 3/64 x 70 304 12' Unit	1
	311771	Tube - Assy 3/4 x 3/64 x 82 304 13' Unit	1
	311777	Tube - Assy 3/4 x 3/64 x 94 304 14' Unit	1
	311783	Tube - Assy 3/4 x 3/64 x 106 304 15' Unit	1
	311759	Tube - Assy 3/4 x 3/64 x 118 304 16' Unit	1
17	311766	Tube - Assy 3/4 x 3/64 x 72 304 12' Unit	1
	311772	Tube - Assy 3/4 x 3/64 x 84 304 13' Unit	1
	311778	Tube - Assy 3/4 x 3/64 x 96 304 14' Unit	1
	311784	Tube - Assy 3/4 x 3/64 x 108 304 15' Unit	1
	311760	Tube - Assy 3/4 x 3/64 x 120 304 16' Unit	1
18	311767	Tube - Assy 3/4 x 3/64 x 72 304 12' Unit	1
	311773	Tube - Assy 3/4 x 3/64 x 84 304 13' Unit	1
	311779	Tube - Assy 3/4 x 3/64 x 96 304 14' Unit	1

Body Hydraulics

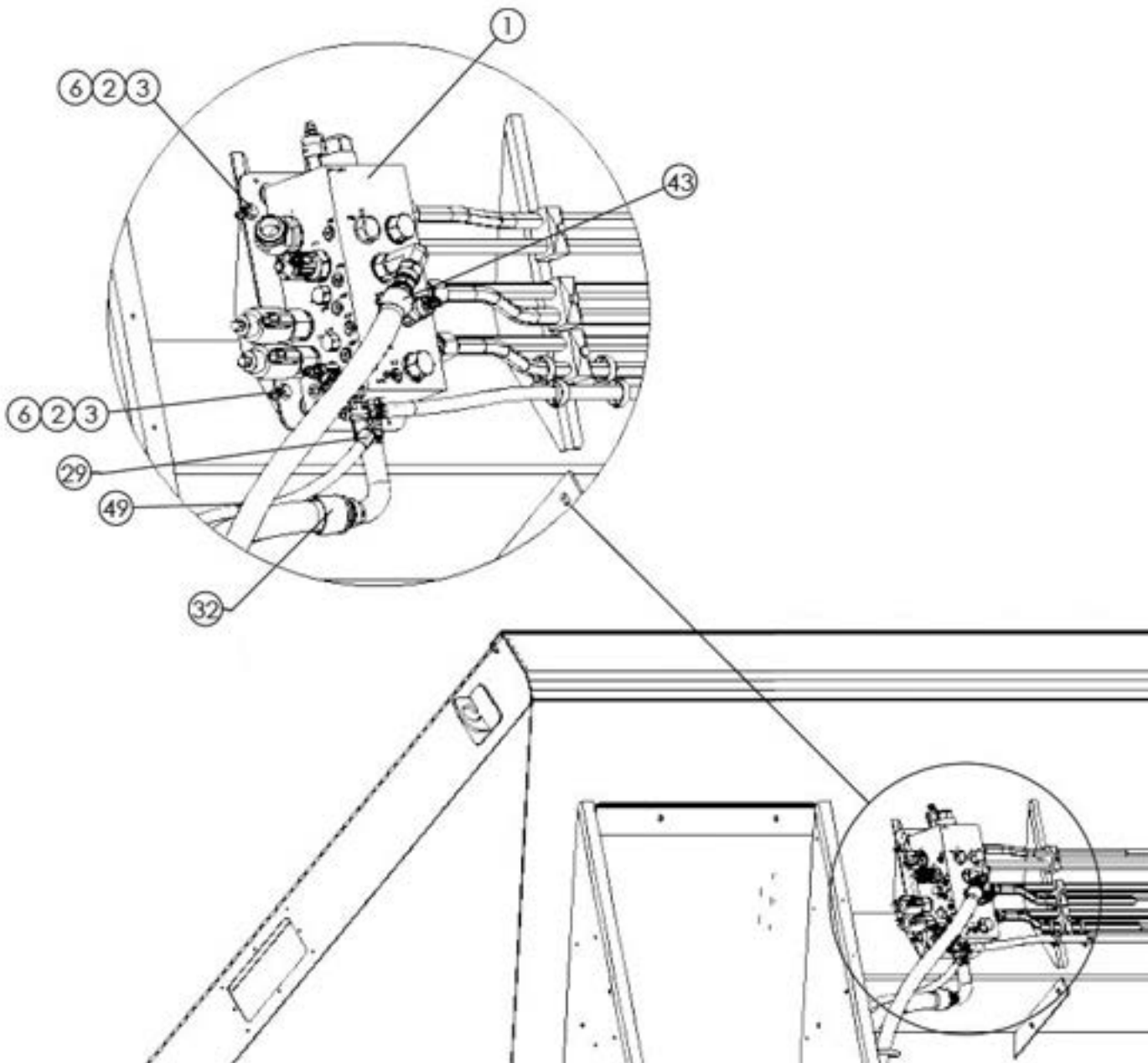
Standard Hydraulics

ITEM	PART NO.	DESCRIPTION	QTY
	311785	Tube - Assy 3/4 x 3/64 x 108 304 15' Unit	1
	311761	Tube - Assy 3/4 x 3/64 x 120 304 16' Unit	1
19	311768	Tube - Assy 1 x 3/64 x 74 304 12' Unit	1
	311774	Tube - Assy 1 x 3/64 x 86 304 13' Unit	1
	311780	Tube - Assy 1 x 3/64 x 98 304 14' Unit	1
	311786	Tube - Assy 1 x 3/64 x 110 304 15' Unit	1
	311762	Tube - Assy 1 x 3/64 x 122 304 16' Unit	1
20	311769	Tube - Assy 1 x 5/64 x 74 304 12' Unit	1
	311775	Tube - Assy 1 x 5/64 x 86 304 13' Unit	1
	311781	Tube - Assy 1 x 5/64 x 98 304 14' Unit	1
	311787	Tube - Assy 1 x 5/64 x 110 304 15' Unit	1
	311763	Tube - Assy 1 x 5/64 x 122 304 16' Unit	1
21	311701	Hose - Assy 3/4 x 92 100R2	1
22	311699	Hose - Assy 3/4 x 78-3/4 100R2	1
23	311702	Hose - Assy 3/4 x 73-1/4 100R2	1
24	311700	Hose - Assy 3/4 x 62-3/8 100R2	1
25	311704	Hose - Assy 1 x 32 100R2	1
26	311703	Hose - Assy 1 x 19 100R2	1
27	311707	Hose - Assy 1/4 x 14-1/2 100R1	2
28	311708	Hose - Assy 1/4 x 36-5/8 100R1	1
29	311709	Hose - Assy 1/4 x 52-1/4 100R1	1
30	311717	Hose - Assy 1 x 28-7/8 100R12	1
31	34816	Fitting - 6-6 070221 Coated	1
32	311705	Hose - Assy 3/8 x 28-1/2	1
33	98724	Fitting - 6-6-6 070432	1
34	311711	Hose - Assy 3/8 x 165 12' Unit	1
	311712	Hose - Assy 3/8 x 177 13' Unit	1
	311713	Hose - Assy 3/8 x 189 14' Unit	1
	311714	Hose - Assy 3/8 x 201 15' Unit	1
	311715	Hose - Assy 3/8 x 213 16' Unit	1
35	310648	Tie - Dual Clamp	23
36	99674	Tie - Wire	5

This page is intentionally left blank.

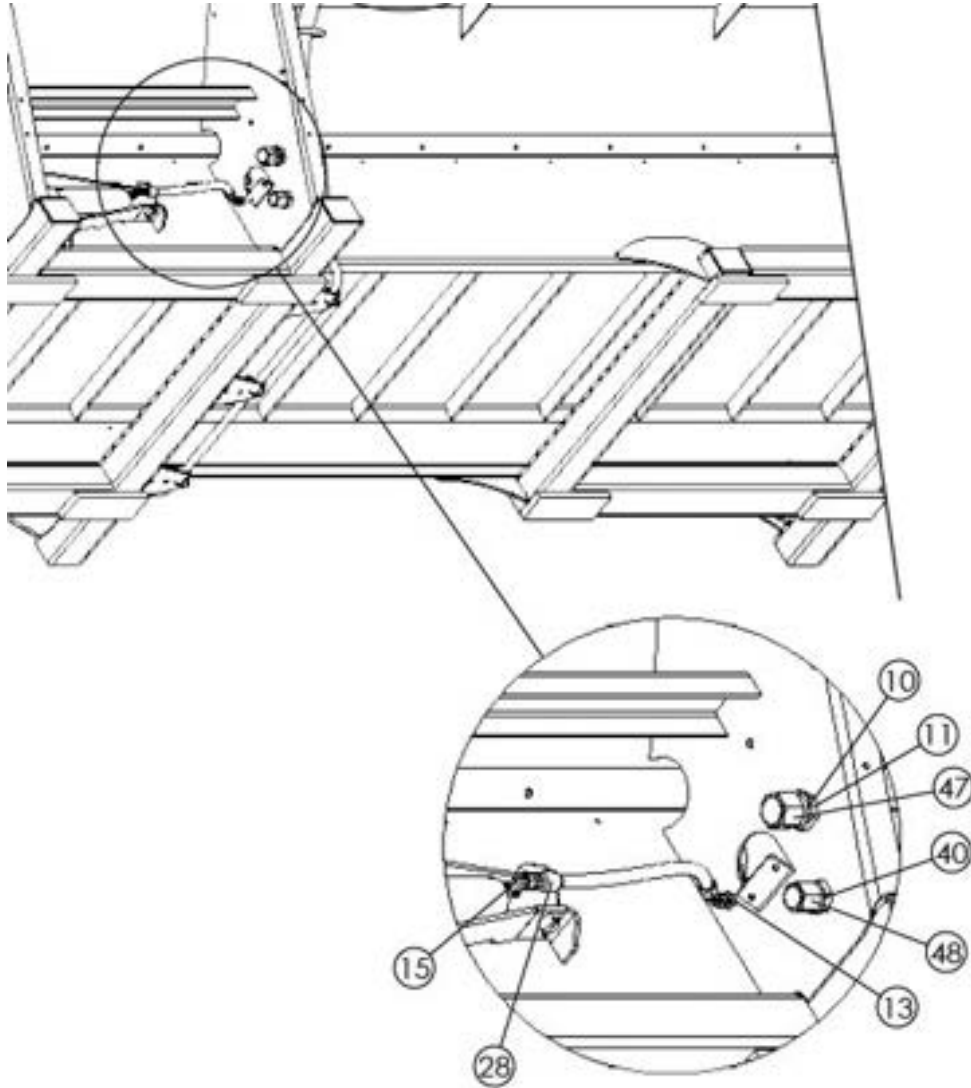
Body Hydraulics

Hi Performance Hydraulics



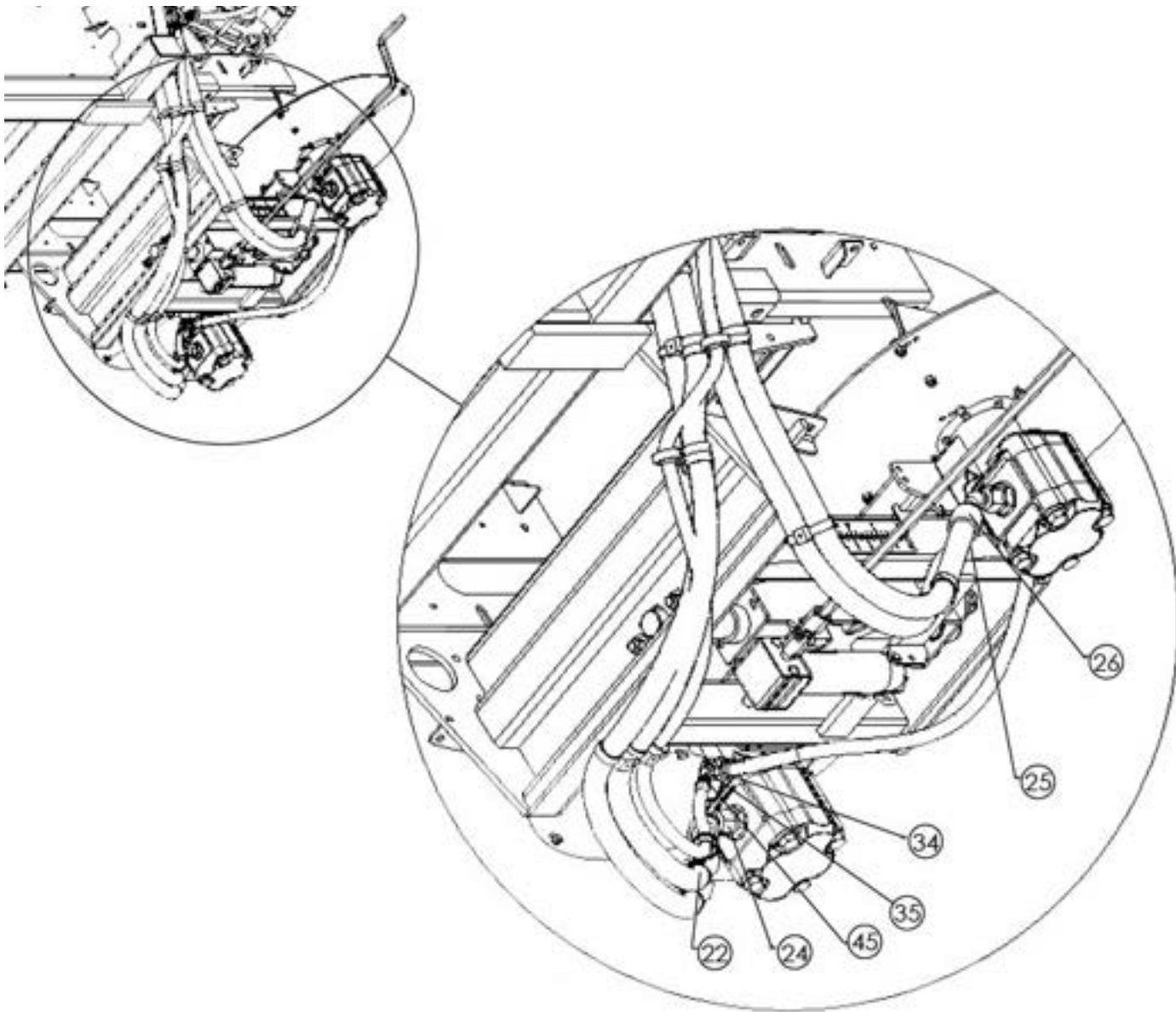
Body Hydraulics

Hi Performance Hydraulics

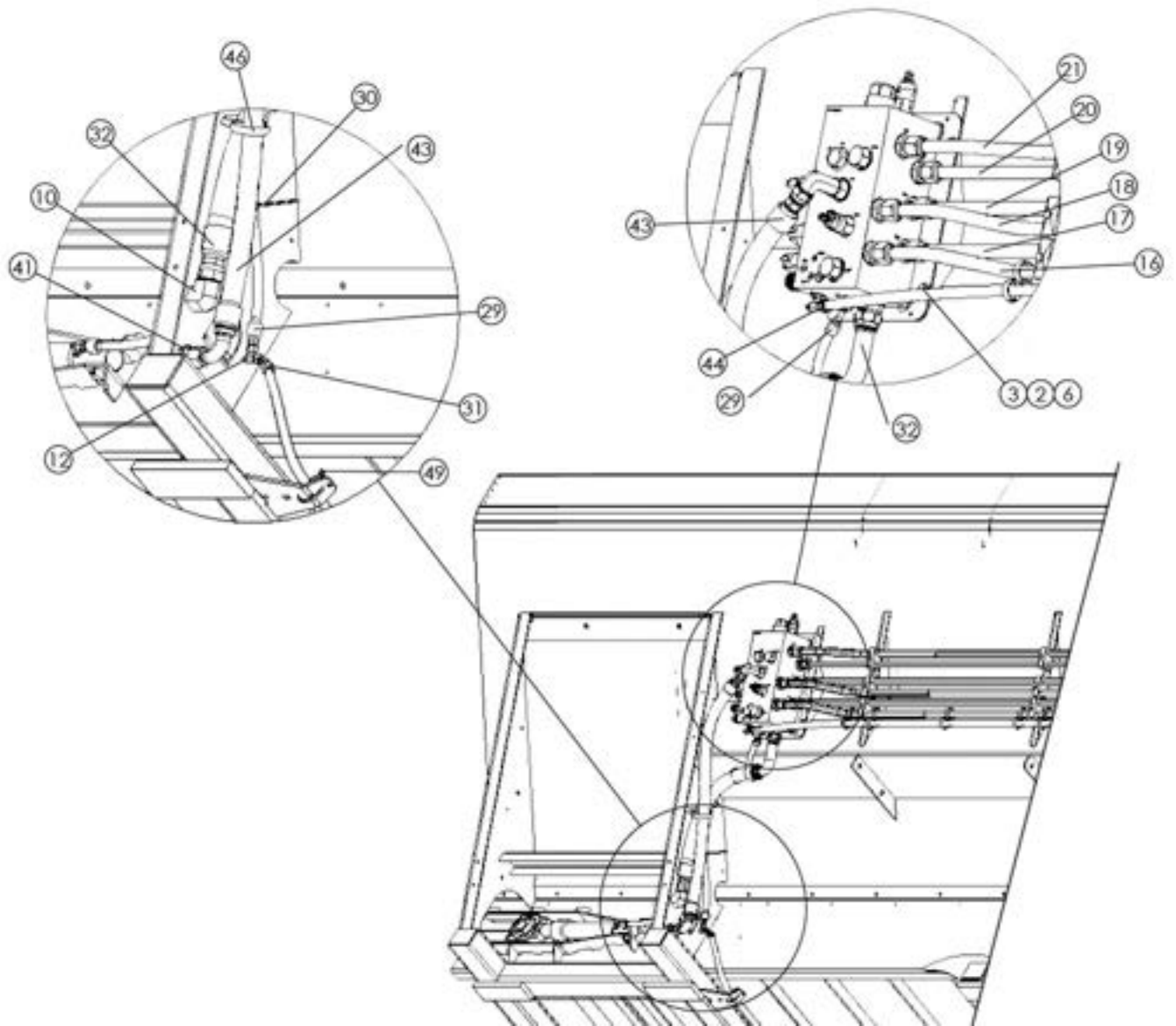


Body Hydraulics

Hi Performance Hydraulics

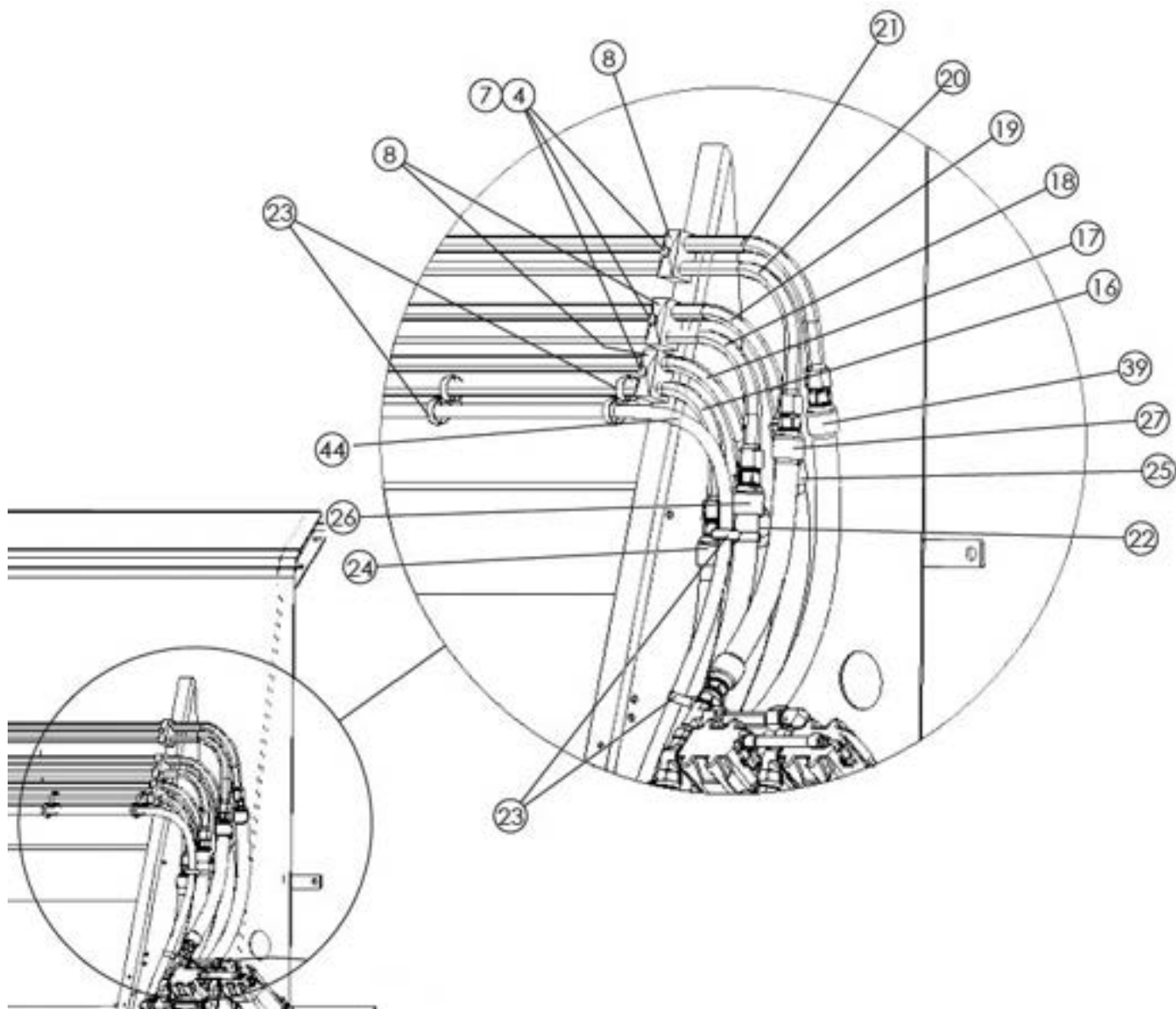


Hi Performance Hydraulics

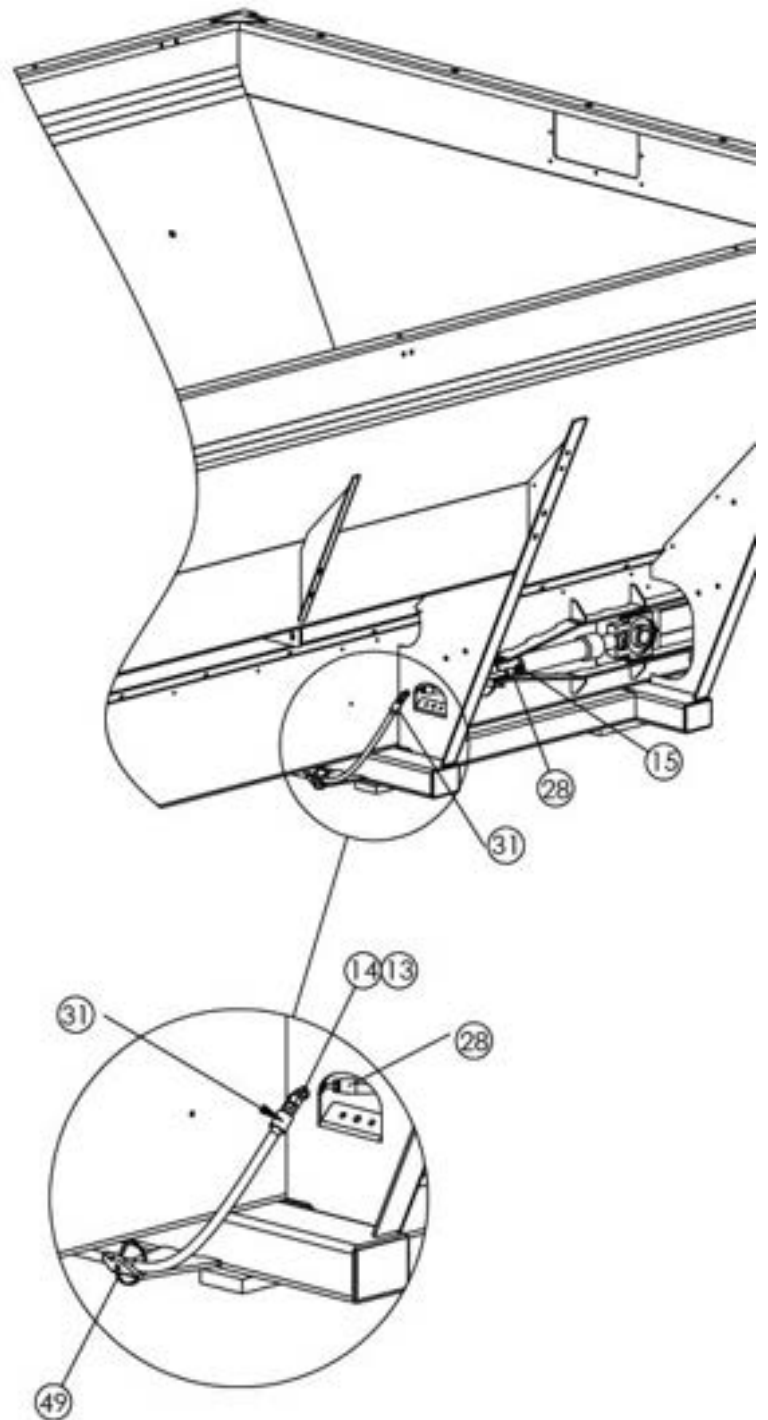
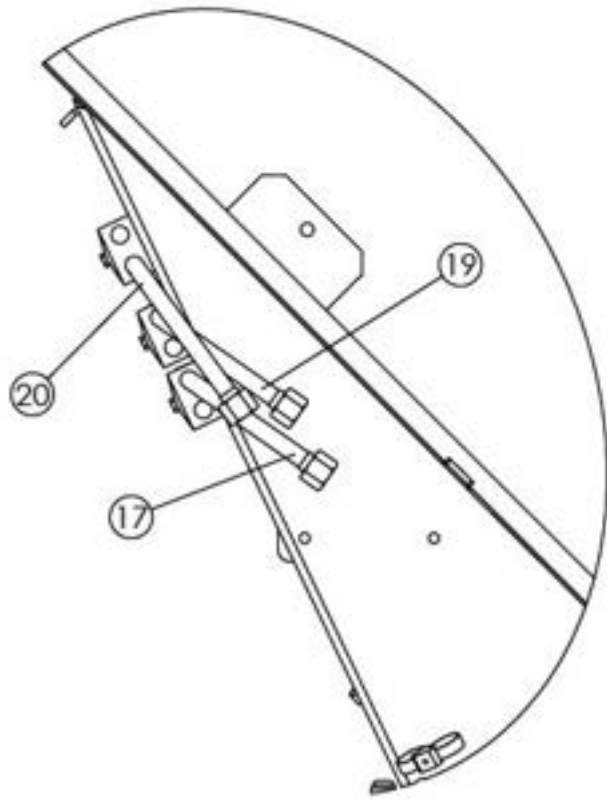


Body Hydraulics

Hi Performance Hydraulics

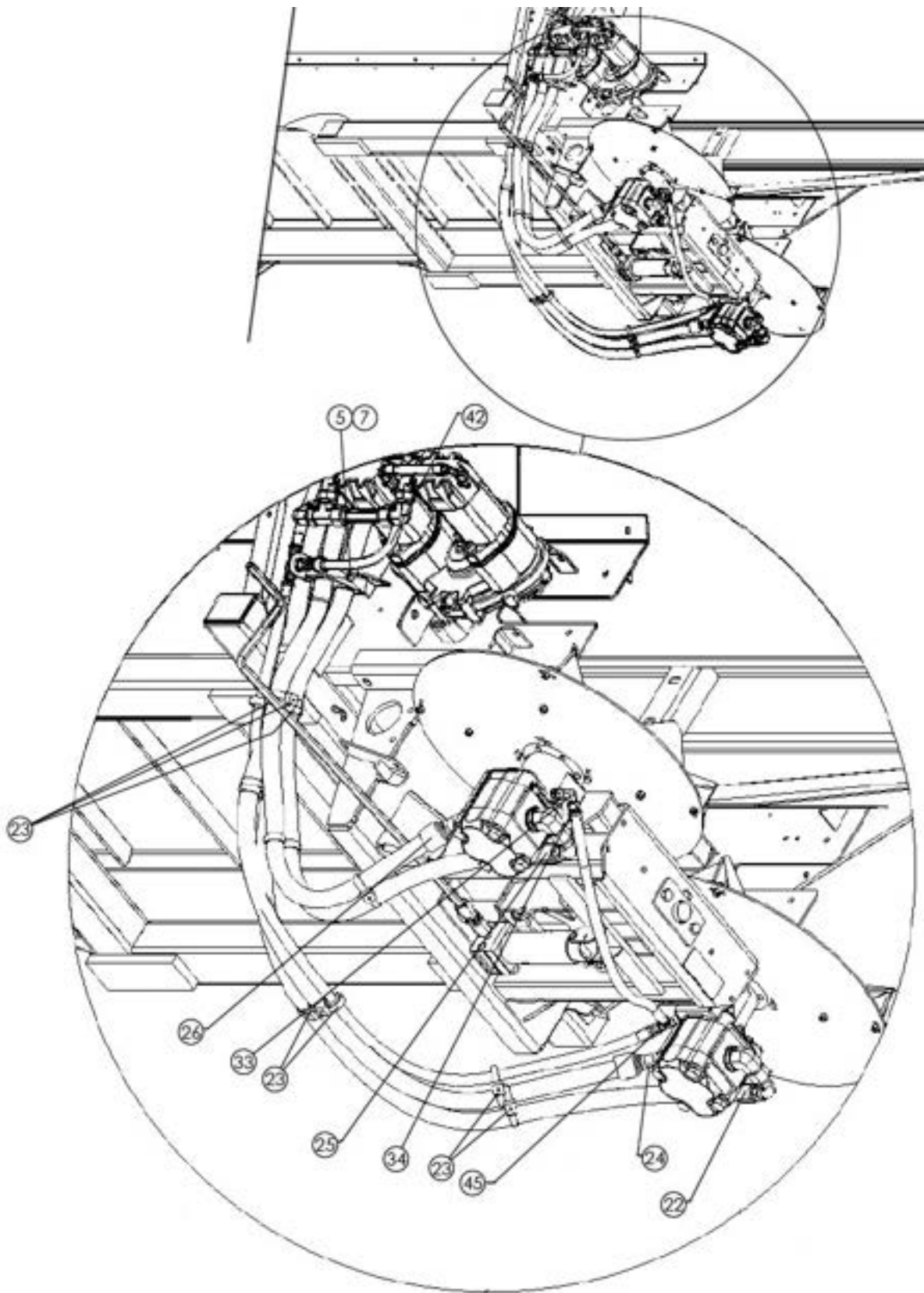


Hi Performance Hydraulics

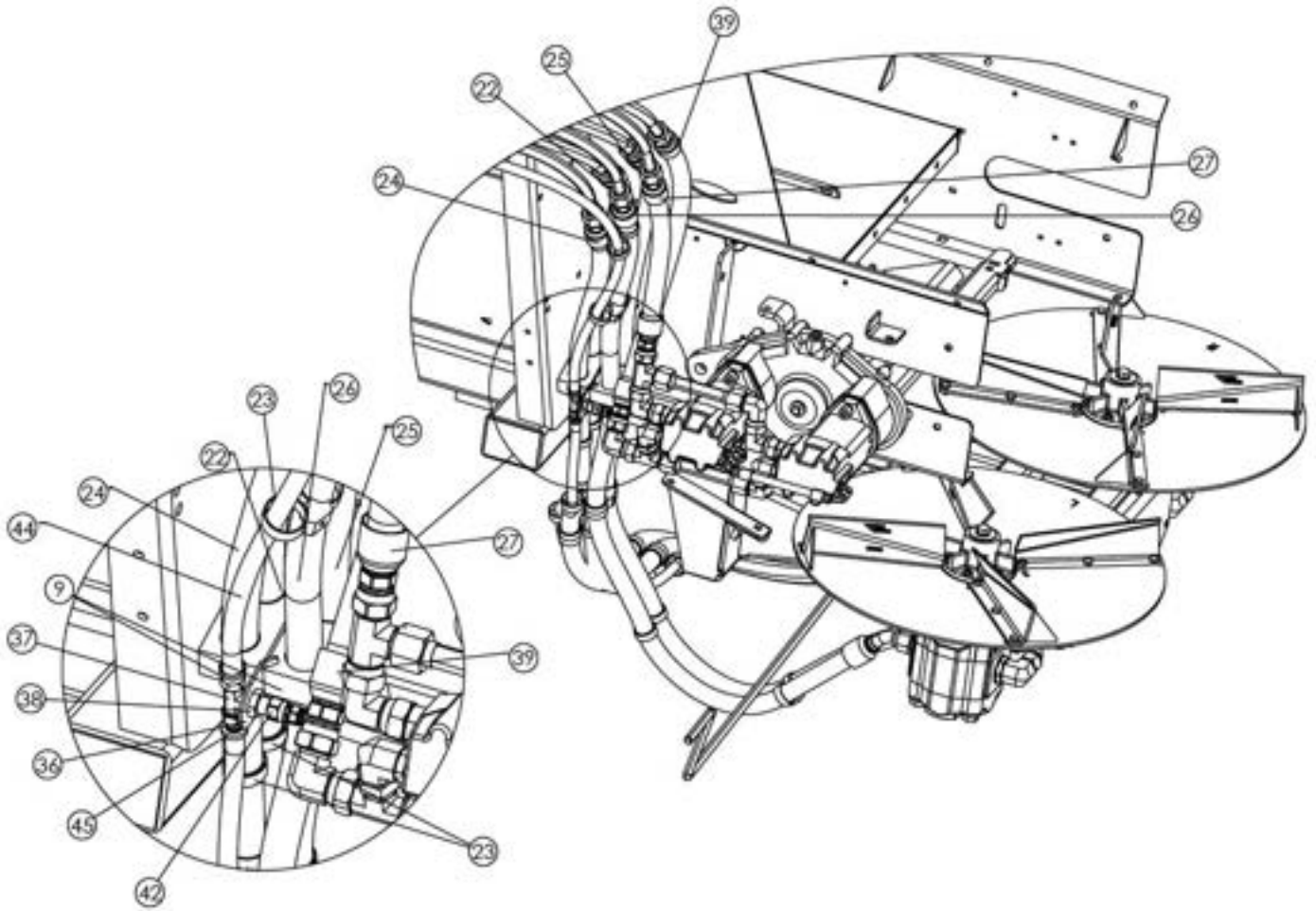


Body Hydraulics

Hi Performance Hydraulics



Hi Performance Hydraulics



Body Hydraulics

Hi Performance Hydraulics

ITEM	PART NO.	DESCRIPTION	QTY
1	318189	Valve - Assy Mounting	1
2	36425	Washer - Flat .375 SS	4
3	36398	Capscrew - .375-16nc X 1 SS	4
4	71830	Capscrew - .313-18nc X 2.5 SS	9
5	312823	Capscrew - .313-18nc X 5.5 SS	1
6	72054	Nut - Lock .375-16nc SS	4
7	42221	Nut - Lock .313-18nc SS	10
8	75036	Clamp - Tubing Twin .75	9
9	305928	Clamp - Tubing Twin 1.25	2
10	306040	Fitting - 16-16 070701	1
11	306041	Fitting - 16 070118	1
12	311487	Fitting - 4-4-4 070958	1
13	311489	Fitting - 4 070118	2
14	311491	Fitting - 4-4 070801	1
15	29795	Fitting - 4-4 070220	2
16	311770	Tube - Assy 3/4 x 1/16 x 82 304 13' Unit	1
	311776	Tube - Assy 3/4 x 1/16 x 94 304 14' Unit	1
	311782	Tube - Assy 3/4 x 1/16 x 106 304 15' Unit	1
	311758	Tube - Assy 3/4 x 1/16 x 118 304 16' Unit	1
17	311771	Tube - Assy 3/4 x 3/64 x 82 304 13' Unit	1
	311777	Tube - Assy 3/4 x 3/64 x 94 304 14' Unit	1
	311783	Tube - Assy 3/4 x 3/64 x 106 304 15' Unit	1
	311759	Tube - Assy 3/4 x 3/64 x 118 304 16' Unit	1
18	311772	Tube - Assy 3/4 x 3/64 x 84 304 13' Unit	1
	311778	Tube - Assy 3/4 x 3/64 x 96 304 14' Unit	1
	311784	Tube - Assy 3/4 x 3/64 x 108 304 15' Unit	1
	311760	Tube - Assy 3/4 x 3/64 x 120 304 16' Unit	1
19	311773	Tube - Assy 3/4 x 3/64 x 84 304 13' Unit	1
	311779	Tube - Assy 3/4 x 3/64 x 96 304 14' Unit	1
	311785	Tube - Assy 3/4 x 3/64 x 108 304 15' Unit	1
	311761	Tube - Assy 3/4 x 3/64 x 120 304 16' Unit	1

Hi Performance Hydraulics

<u>ITEM</u>	<u>PART NO.</u>	<u>DESCRIPTION</u>	<u>QTY</u>
20	312805	Tube - Assy .75OD X .049 X 86.15 304 13' Unit	1
	312806	Tube - Assy .75OD X .049 X 98.15 304 14' Unit	1
	312807	Tube - Assy .75OD X .049 X 110.15 304 15' Unit	1
	312808	Tube - Assy .75OD X .049 X 122.15 304 16' Unit	1
21	312809	Tube - Assy .75OD X .065 X 86.15 304 13' Unit	1
	312810	Tube - Assy .75OD X .065 X 98.15 304 14' Unit	1
	312811	Tube - Assy .75OD X .065 X 110.15 304 15' Unit	1
	312812	Tube - Assy .75OD X .065 X 86.15 304 16' Unit	1
22	314859	Hose - Assy .75 X 92 100r2 SS	1
23	310648	Tie - Dual Clamp	22
24	314857	Hose - Assy .75 X 78.75 100r2	1
25	314860	Hose - Assy .75 X 73.25 100r2	1
26	314858	Hose - Assy .75 X 62.38 100r2	1
27	314872	Hose - Assy .75 X 18.5 100r SS	1
28	311707	Hose - Assy .25 X 14.5 100r1	2
29	311708	Hose - Assy .25 X 36.63 100r1	1
30	311806	Tie - Wire Fir Tree	1
31	311709	Hose - Assy .25 X 52.25 100r1	1
32	311717	Hose - Assy 1 X 28.88 100r12	1
33	314847	Fitting - 6-6 070221s 304	1
34	314863	Hose - Assy .375 X 28.5 100r2	1
35	314850	Fitting - 6-6-6 070432s 304	1
36	312800	Bracket - Bulkhead 304	1
37	314838	Fitting - 6-6-6 070959s 304	1
38	314839	Fitting - 6 070118s 304	1
39	314873	Hose - Assy .75 X 29 100r12 SS	1
40	86418	Fitting - 12-12 070601	1
41	312828	Fitting - 12 070118	1
42	314879	Hose - Assy .25 X 16 100r1 SS	1
43	312815	Hose - Assy .75 X 40 100r12	1
44	314875	Hose - Assy .375 X 115 SS 13' Unit	1
	312819	Hose - Assy .375 X 127 14' Unit	1

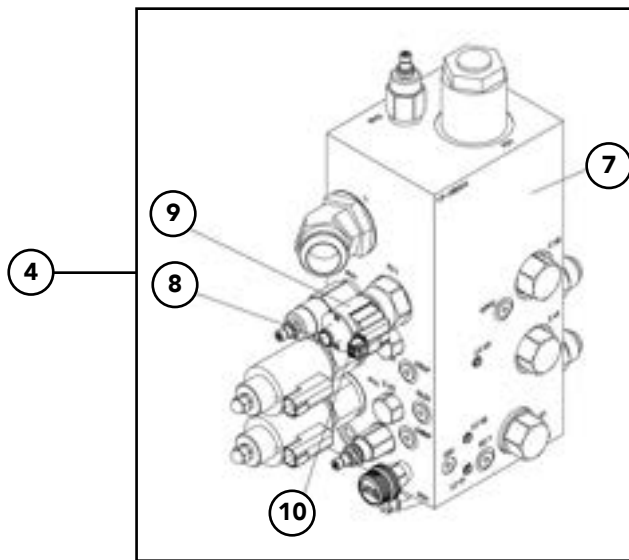
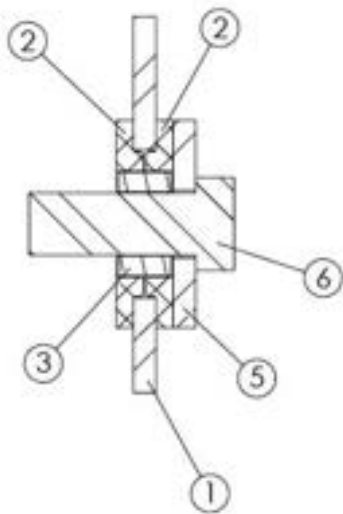
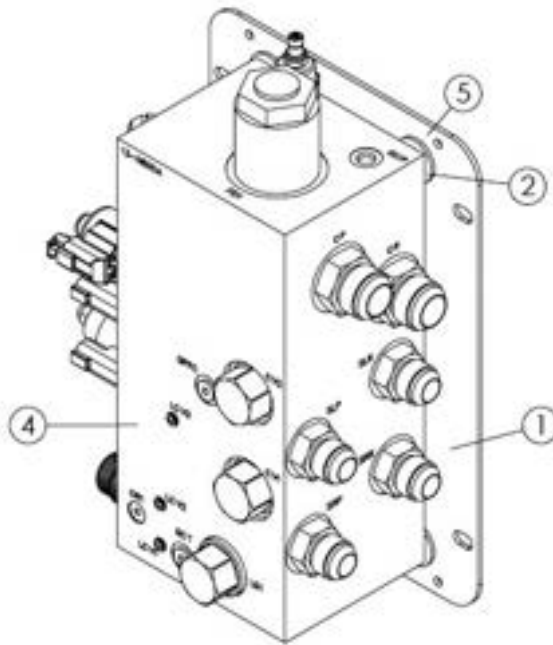
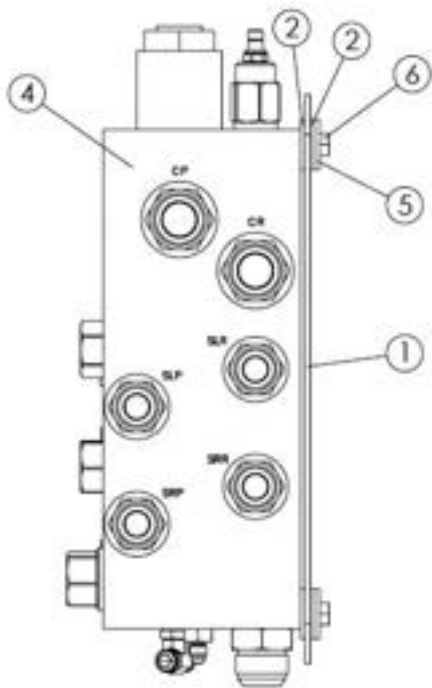
Body Hydraulics**Hi Performance Hydraulics**

<u>ITEM</u>	<u>PART NO.</u>	<u>DESCRIPTION</u>	<u>QTY</u>
	312820	Hose - Assy .375 X 139 15' Unit	1
	312821	Hose - Assy .375 X 151 16' Unit	1
45	314874	Hose - Assy .375 X 60 SS	1
46	312665	Tie - Dual Clamp	1
47	29802	Fitting - 16 070112	1
48	29801	Fitting - 12 070112	1
49	99674	Strap - Zip Tie 8 Black	5

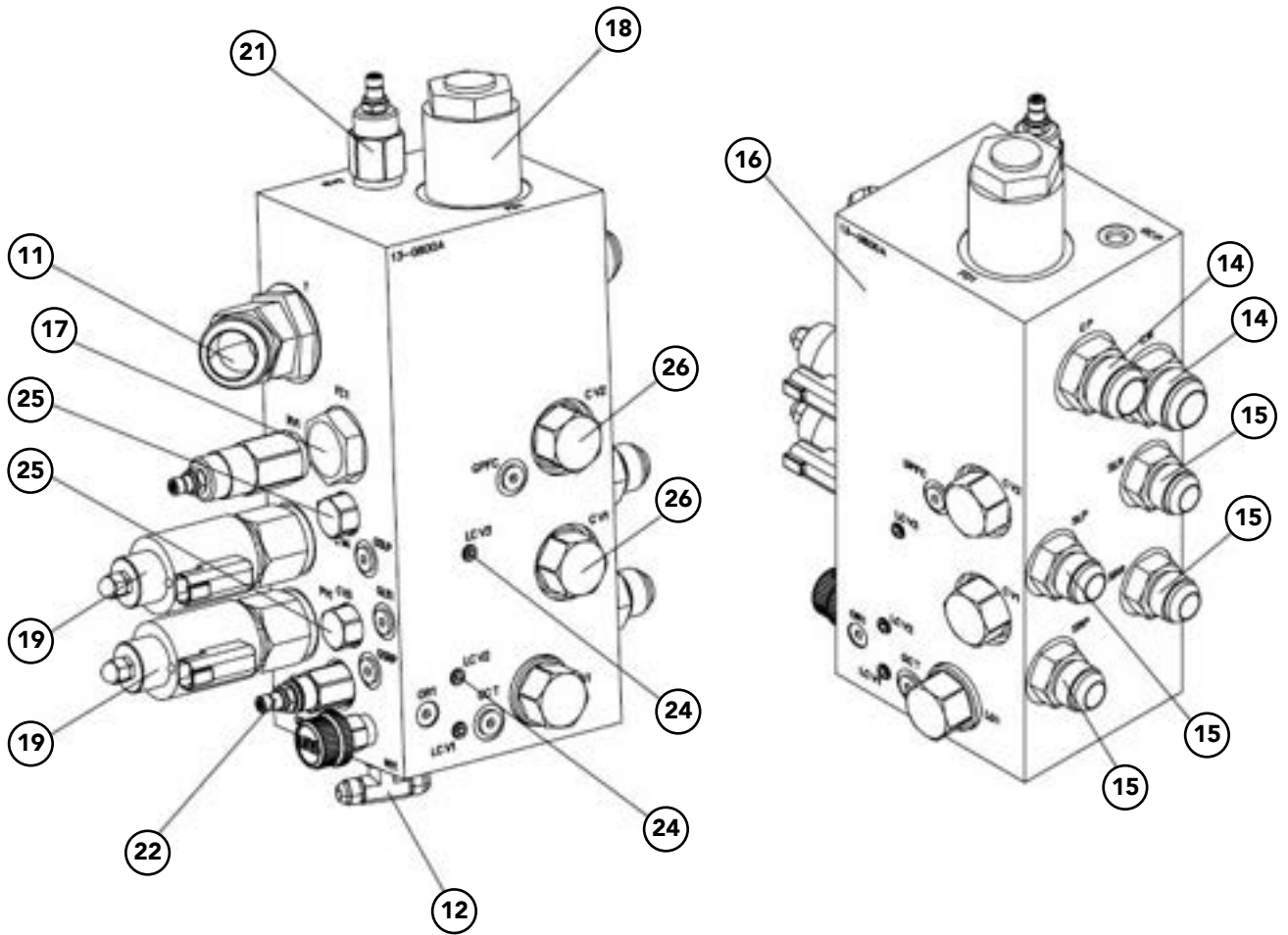
This page is intentionally left blank.

Body Hydraulics

Standard Hydraulic Valve



Standard Hydraulic Valve



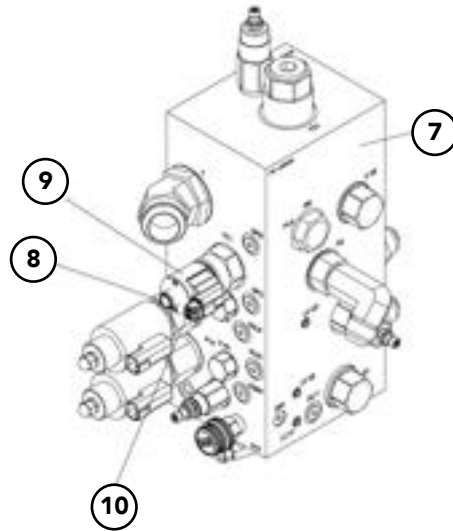
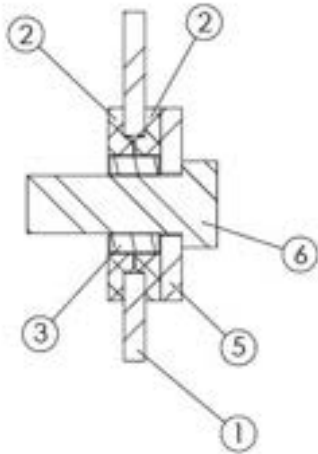
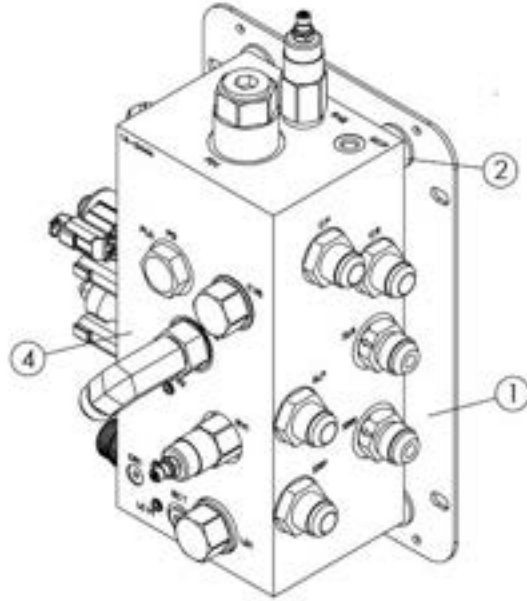
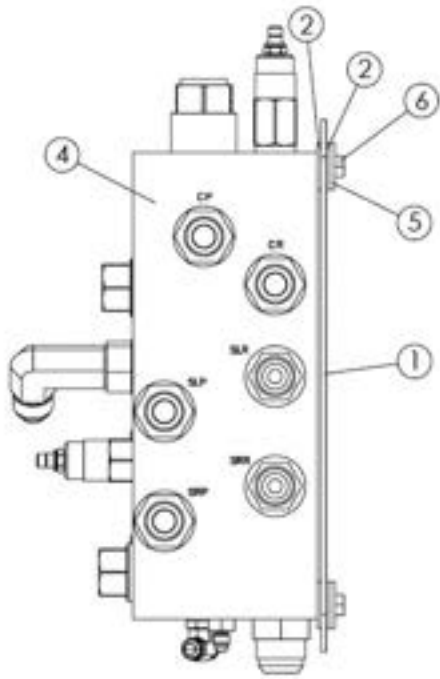
Body Hydraulics

Standard Hydraulic Valve

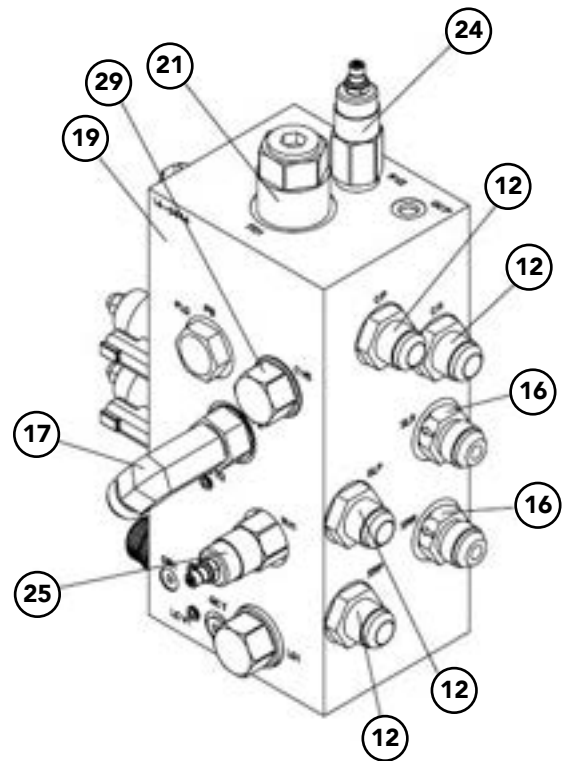
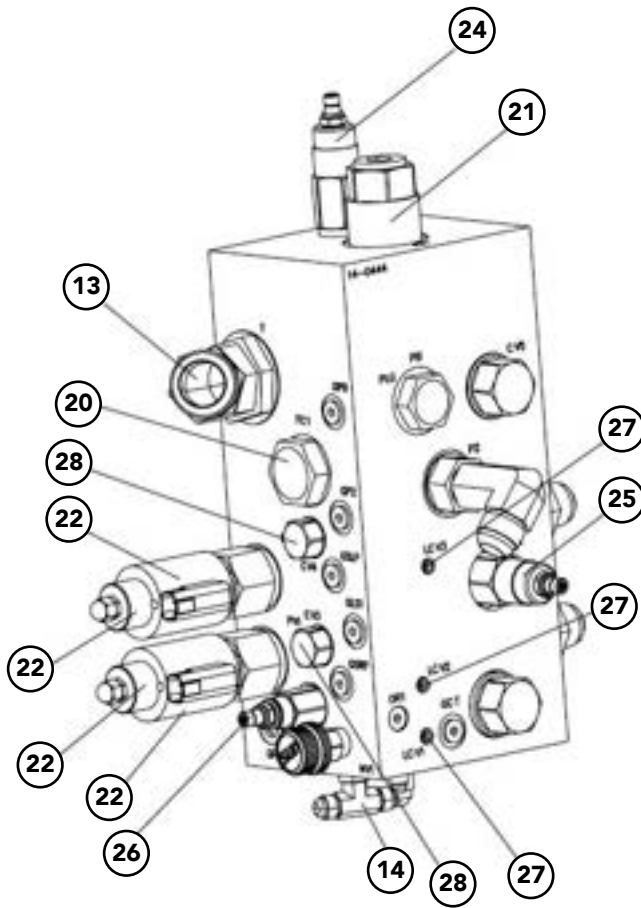
<u>ITEM</u>	<u>PART NO.</u>	<u>DESCRIPTION</u>	<u>QTY</u>
1	311790	Plate - Valve Mount 304	1
2	311664	Washer - Step .638 Id X .875od	8
3	88050	Spacer - Dump Over Chute 304	4
4	317775	Valve - Assy Control 40/30gpm	1
5	311798	Washer - .406 Id X 1.25od X 10GA 304	4
6	36398	Capscrew - .375-16nc X 1 SS	4
7	317776	Manifold - Flow Control 40/30	1
8	316273	Valve - Flow Control 45gpm	1
9	315867	Coil - 12 Vdc Deutsch Dt04-2p	1
10	*316277	Harness - Adapter Metripack	1
11	311484	Fitting - 20-20 070320	1
12	311482	Fitting - 6-6-6 070429	1
13	*311480	Fitting - 4-6 070120	1
14	29803	Fitting - 16-16 070120	3
15	29789	Fitting - 12-12 070120	4
16	-	Block - Valve	1
17	56311	Fitting - 16 090109a	1
18	316271-AA	Valve - Compensator 50gpm Sfp	1
19	317358	Valve - Pwm Flow Control 20gpm	2
20	*317359	Coil - Proportion 12 Vdc	2
21	311515-AD	Valve - Relief Soft Start	1
22	311515-AE	Valve - Relief Service Part	1
23	*311515-AF	Valve - Pressure Reducing	1
24	311515-AG	Valve - Check Service Part	2
25	311515-AH	Valve - Check Service Part	2
26	*311515-AI	Valve - Check Service Part	2
* Not Shown			

This page is intentionally left blank.

Hi Performance Hydraulic Valve



Hi Performance Hydraulic Valve



Body Hydraulics

Hi Performance Hydraulic Valve

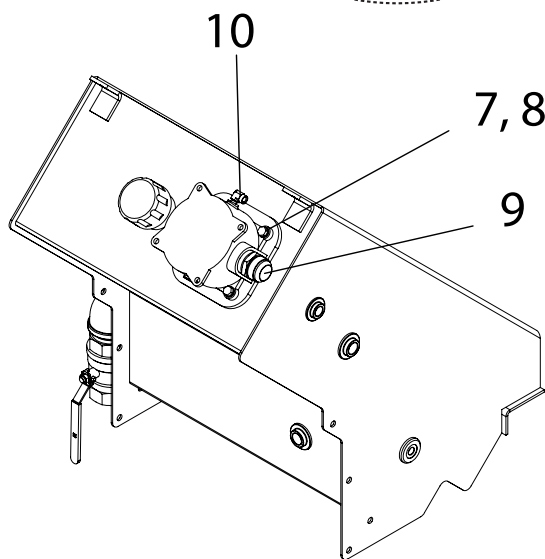
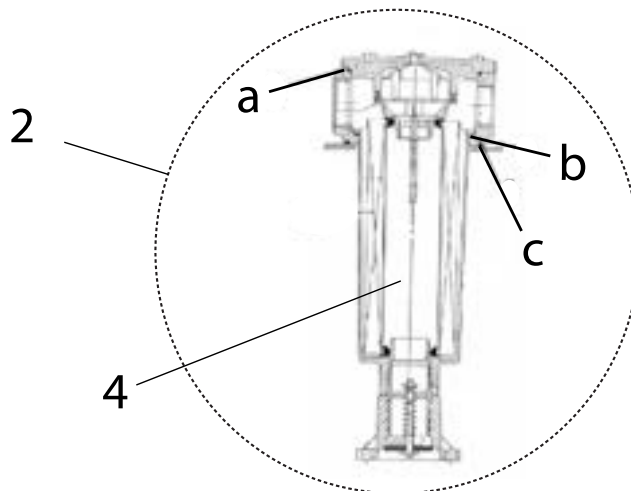
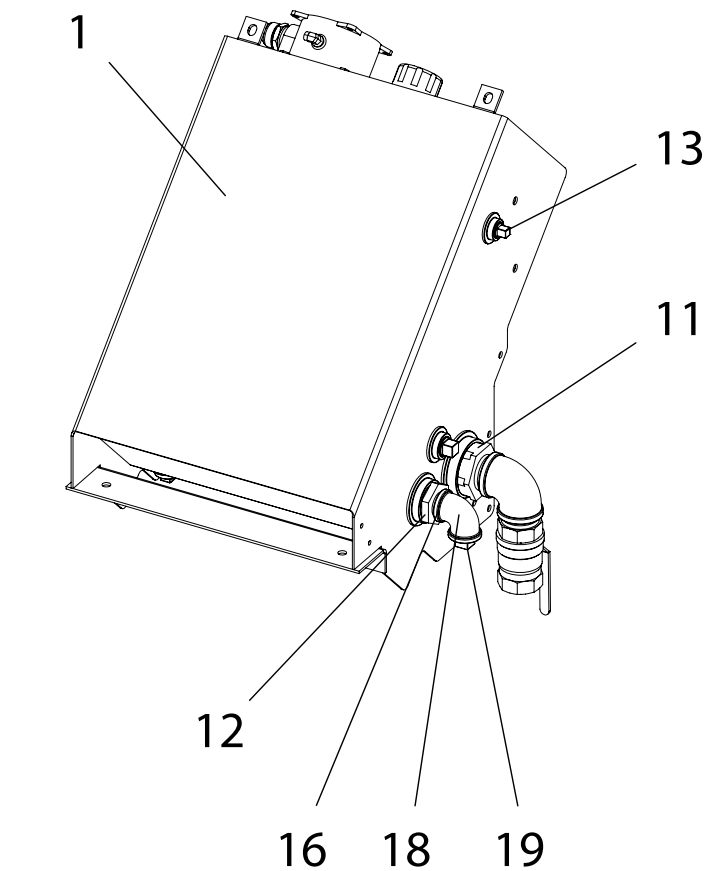
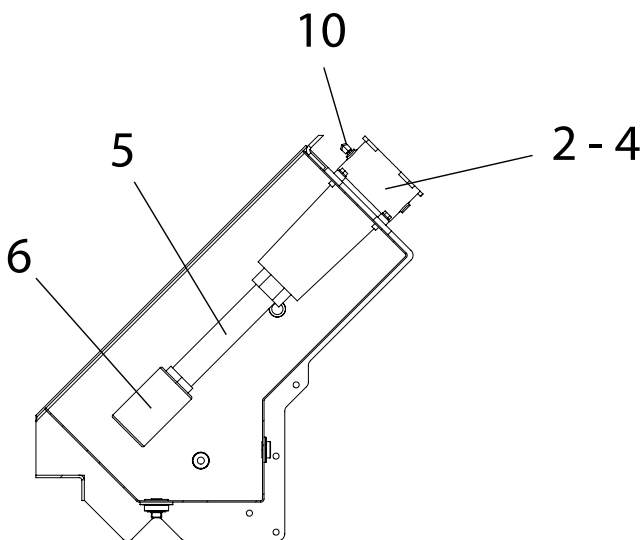
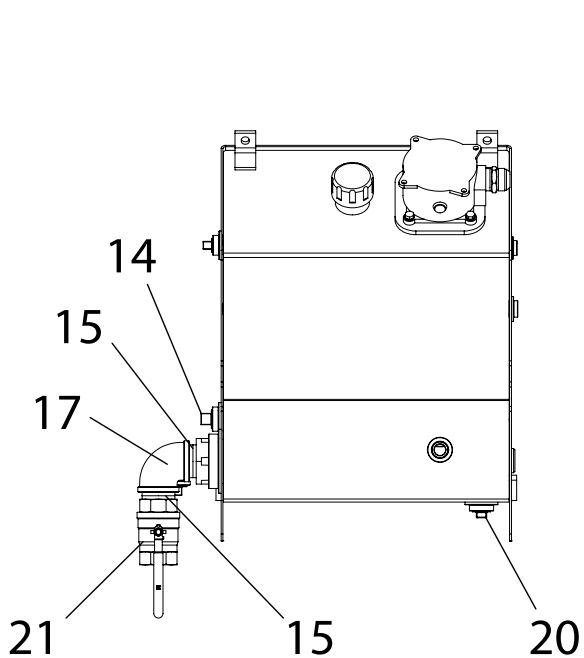
ITEM	PART NO.	DESCRIPTION	QTY
1	311790	Plate - Valve Mount 304	1
2	311664	Washer - Step .638 Id X .875od	8
3	88050	Spacer - Dump Over Chute 304	4
4	317775	Valve - Assy Control 40/30gpm	1
5	311798	Washer - .406 Id X 1.25od X 10GA 304	4
6	36398	Capscrew - .375-16nc X 1 SS	4
7	317776	Manifold - Flow Control 40/30	1
8	316273	Valve - Flow Control 45gpm	1
9	315867	Coil - 12 Vdc Deutsch Dt04-2p	1
10	*316277	Harness - Adapter Metripack	1
11	*29803	Fitting - 16-16 070120	1
12	29789	Fitting - 12-12 070120	4
13	311484	Fitting - 20-20 070320	1
14	311482	Fitting - 6-6-6 070429	1
15	*311480	Fitting - 4-6 070120	1
16	305263	Valve - Check 12jic X 12orb	2
17	312825	Fitting - 12-12 071520	1
18	*29790	Fitting - 12 090109a	1
19	-	Block - Valve	2
20	56311	Fitting - 16 090109a	1
21	317868	Valve - Compensator 33gpm Sfp	1
22	317358	Valve - Pwm Flow Control 20gpm	2
23	*317359	Coil - Proportion 12 Vdc	2
24	311515-AD	Valve - Relief Soft Start	1
25	312803-AA	Valve - Relief Soft Start	1
26	311515-AF	Valve - Pressure Reducing	1
27	311515-AG	Valve - Check Service Part	3
28	311515-AH	Valve - Check Service Part	2
29	311515-AI	Valve - Check Service Part	1

* Not Shown

This page is intentionally left blank.

Body Hydraulics

Hydraulic Reservoir - Standard Hydraulics

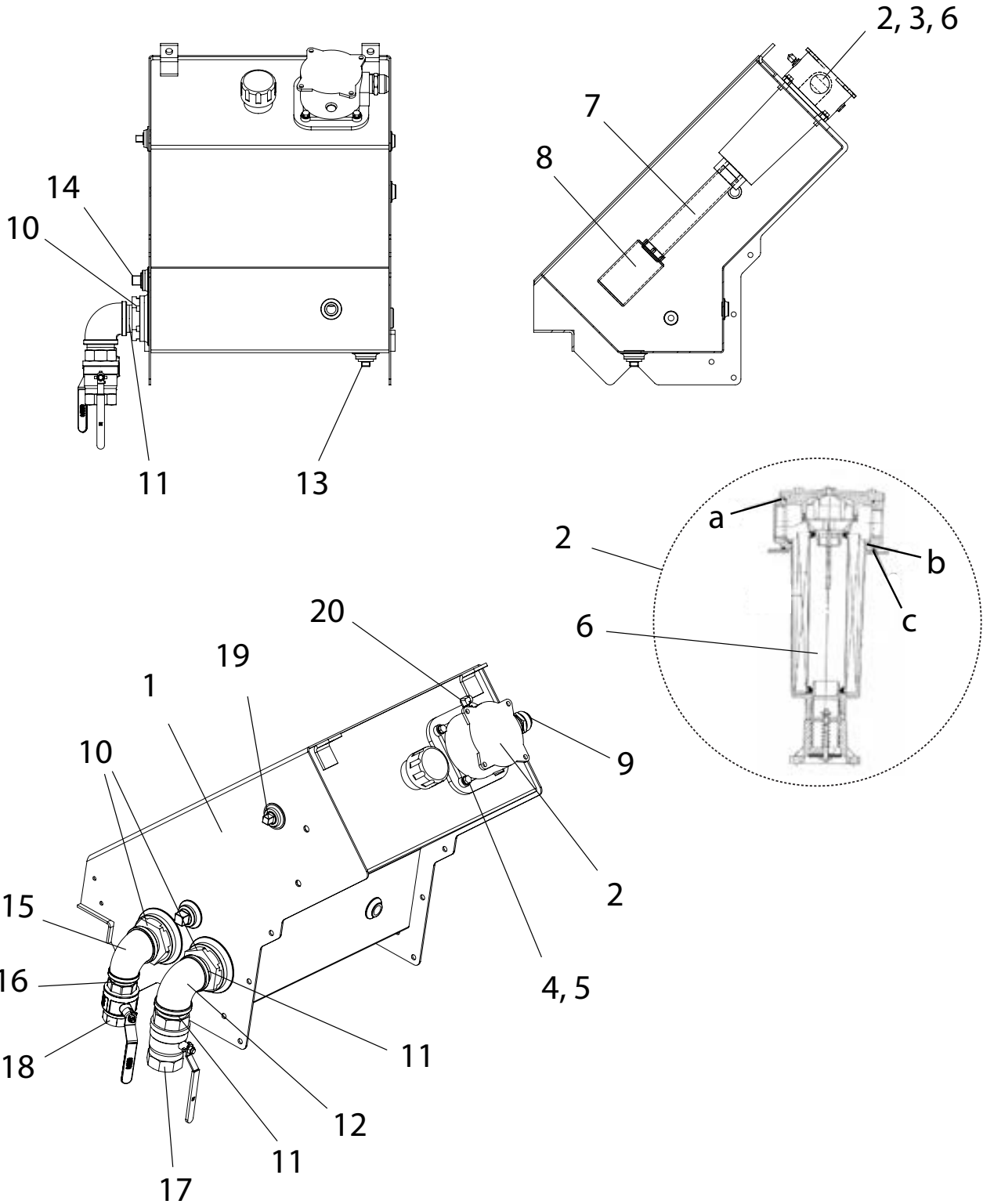


Hydraulic Reservoir - Standard Hydraulics

<u>ITEM</u>	<u>PART NO.</u>	<u>DESCRIPTION</u>	<u>QTY</u>
	311735	Hydraulic Reservoir Assy	
	311743	Hydraulic Reservoir Assy 304 SS	
1	311736	Tank – Hydraulic Wldmt	1
	311744	Tank - Hydraulic Wldmt 304 SS	1
2	88838	Filter – Return, Includes 3-6	1
a	306772	O-Ring - Cover Filter	1
b	306773	O - Ring - Housing Filter	1
c	306789	Seal - Filter Assy	1
3	*306186	Gasket Maker - Silicone RTV	AR
4	305066	Filter - Element	1
5	305058	Pipe – 1.5 SCH40 10	1
6	305057	Diffuser – Tank	1
7	20068	Cap Screw – 3/8-16 x 1-1/4	4
	36399	Cap Screw – 3/8-16 x 1-1/4 SS	4
8	20712	Washer – Lock 3/8	4
	36420	Washer – Lock 3/8 SS	4
9	29768	Fitting - 20-20 070102	1
10	311214	Fitting - 2-2 140239C	1
11	305063	Strainer - 2 NPT	1
12	305062	Strainer - 1-1/4 NPT	1
13	6033	Plug - Pipe 3/4 NPT	1
14	6034	Plug - Pipe 1 NPT	1
15	22324	Nipple - Close 2 NPT x 2	2
16	6028	Nipple - Close 1-1/4 NPT	1
17	23703	Adapter - Elbow 90° 2 NPT	1
18	6011	Elbow - 90° 1-1/4 NPT	1
19	6035	Plug - Pipe 1-1/4 NPT	1
20	305061	Plug - Magnetic 1 NPT	1
21	305060	Valve - Ball 2 NPT	1

* - Not Shown AR - As Required

Hydraulic Reservoir - Hi Performance Hydraulics



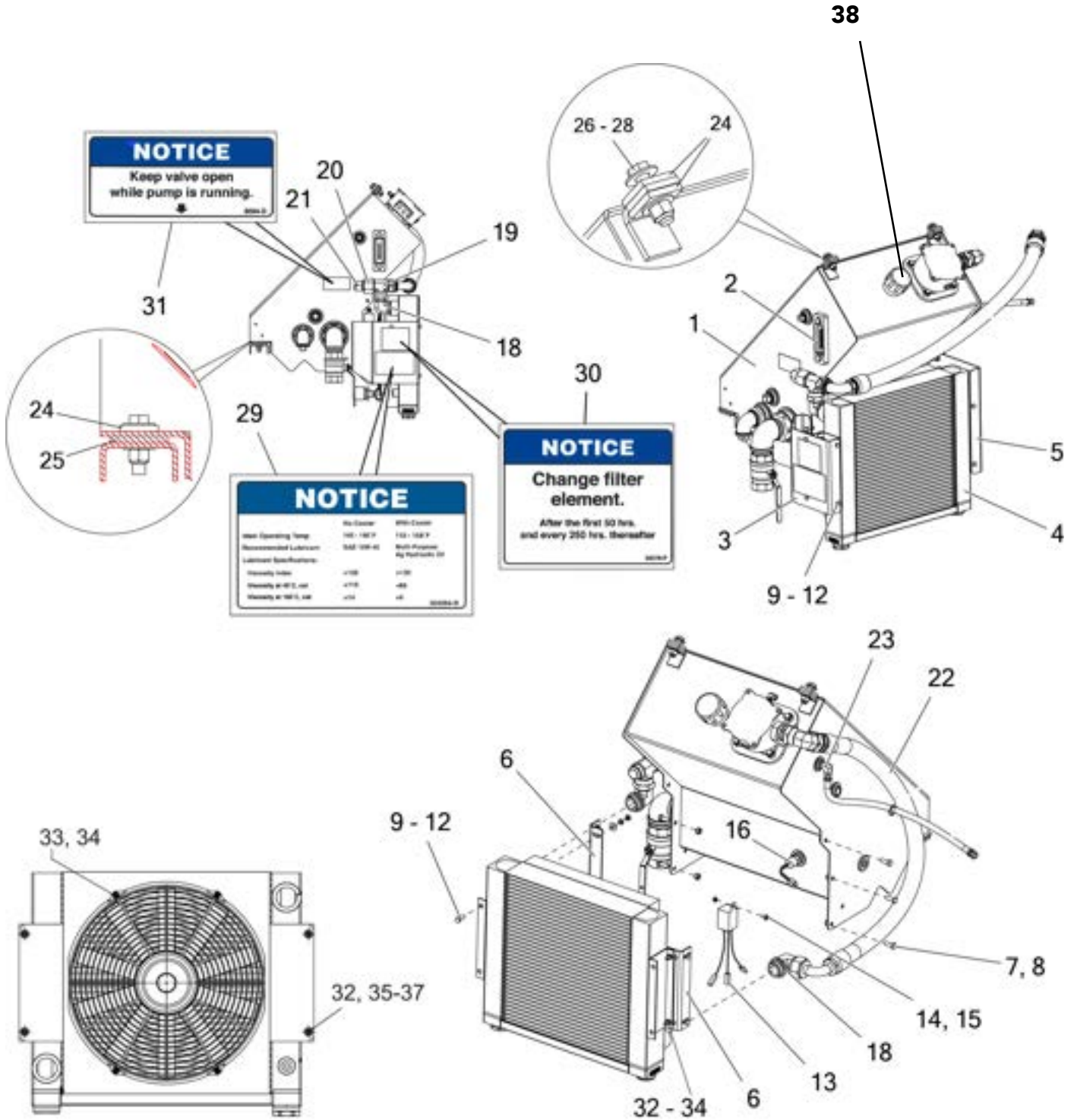
Hydraulic Reservoir - Hi Performance Hydraulics

<u>ITEM</u>	<u>PART NO.</u>	<u>DESCRIPTION</u>	<u>QTY</u>
	312847	Hydraulic Tank Assy HP	
	312901	Hydraulic Tank Assy HP 304 SS	
1	312848	Reservoir - Wldmt Hydraulic HP	1
	312902	Reservoir - Wldmt Hydraulic HP 304 SS	1
2	88838	Filter - Return, Includes Items 3-6	1
a	306772	O-Ring - Cover Filter	1
b	306773	O-Ring - Housing Filter	1
c	306789	Seal - Filter Assy	1
3	306186	Gasket Maker - Silicone RTV	AR
4	20068	Capscrew - 3/8-16 NC x 1-1/4	4
	36399	Capscrew - 3/8-16 NC x 1-1/4 SS	4
5	20712	Washer - Lock 3/8	4
	36420	Washer - Lock 3/8 SS	4
6	305066	Element - Filter	1
7	305058	Pipe - 1-1/2 SCH40 x 10	1
8	305057	Diffuser - Reservoir	1
9	29768	Fitting - 20-20 070102	1
10	305063	Strainer - 2 NPT	2
11	22324	Nipple - Close 2 NPT Std	3
12	23703	Adapter - Elbow 90° 2 NPT	1
13	305061	Plug - Magnetic 1 NPT	1
14	6034	Plug - Pipe 1 NPT	1
15	310403	Elbow - Pipe Reducing 2 x 1-1/2 NPTF	1
16	22322	Nipple - Close 1-1/2 NPT Std	1
17	305060	Valve - Ball 2 NPT	1
18	310404	Valve - Ball 1-1/2 NPT	1
19	6033	Plug - Pipe 3/4 NPT Std	1
20	311214	Fitting - 2-2 140239C	1

* - Not Shown AR - As Required

Body Hydraulics

Hydraulic Reservoir w/ Cooler



Hydraulic Reservoir w/ Cooler

<u>ITEM</u>	<u>PART NO.</u>	<u>DESCRIPTION</u>	<u>QTY</u>
1	311735	Hydraulic Reservoir Assy, see Hydraulic Reservoir - Standard Hydraulics parts list	1
	311743	Hydraulic Reservoir Assy 304 SS	1
	312847	Hydraulic Reservoir Assy - Hi Performance, see Hydraulic Reservoir - Hi Performance Hydraulics parts list	1
	312901	Hydraulic Reservoir Assy - Hi Performance 304 SS	1
2	38575	Gauge – Sight & Temperature	1
3	305761	Bracket – Cooler LH	1
4	305767	Cooler – Assy	1
	*305767-AA	Core - Cooler	1
	*305767-AB	Fan - Assy Cooler	1
	*305767-AC	Housing - Cooler	1
5	305760	Bracket – Cooler RH	1
6	306447	Bracket - Cooler Mount	2
7	36398	Cap Screw – 3/8-16NC x 1 SS	5
8	72054	Nut – Lock 3/8 SS	5
9	34580	Cap Screw - 5/16 x 1	8
10	36424	Washer – Flat 5/16	8
11	36419	Washer – Lock 5/16 SS	8
12	36413	Nut – Hex 1/3-18NC SS	8
13	312271	Relay – 12VDC 40A	1
14	56258	Screw – Truss Head 1/4-20 x 1/2 SS	1
15	42034	Nut – Lock 1/4-20 SS	1
16	305074	Switch – Temperature 114°	1
17	98568	Fitting – 20-20 070221	1
18	96916	Fitting – 20-20 070220	2
19	56267	Fitting – 20-20 070433	1
20	34819	Fitting – 20-16 070123	1
21	29802	Fitting - 16 070123	1
22	98662	Hose – 1-1/4" x 48" 100R4	1
23	34779	Fitting - 6-6 070202	1
24	39159	Belt - Spacer	6

Body Hydraulics**Hydraulic Reservoir w/ Cooler**

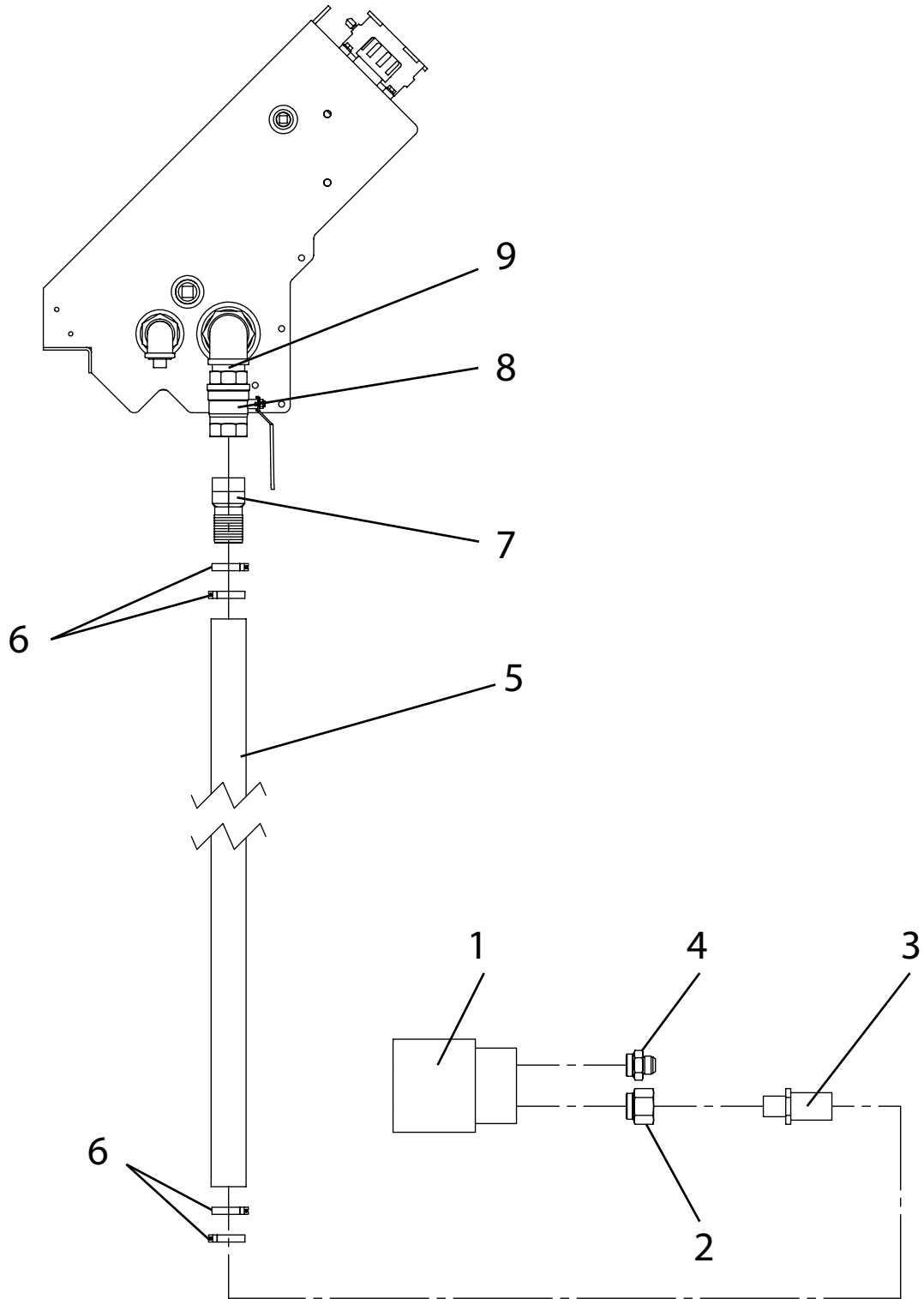
<u>ITEM</u>	<u>PART NO.</u>	<u>DESCRIPTION</u>	<u>QTY</u>
25	39158	Belt - Flex Mount	2
26	36426	Washer - Flat 1/2 SS	6
27	36403	Cap Screw - 1/2-13NC x 2 SS	4
28	39016	Nut - Lock 1/2-13NC SS	4
29	304264	Decal - Important Cooler	1
30	39378	Decal - Change Filter Element	1
31	8664	Decal - Important Keep Valve Open	1
32	319927	Screw - Sockethead .313-18 Nc X .5 SS	4
33	319928	Washer - Lock M6	4
34	319929	Screw - Sockethead M6-20	4
35	20711	Washer - Lock .313 Zn	4
36	20677	Nut - Lock .313-18nc Zn	4
37	20692	Washer - Flat .313 Zn	8
38	96747	Filler - Weld In Neck	1
-	320410	Filler - Cap Breather	1

* - Not Shown

This page is intentionally left blank.

Body Hydraulics

Standard Hydraulics - 4.38 CID Pump

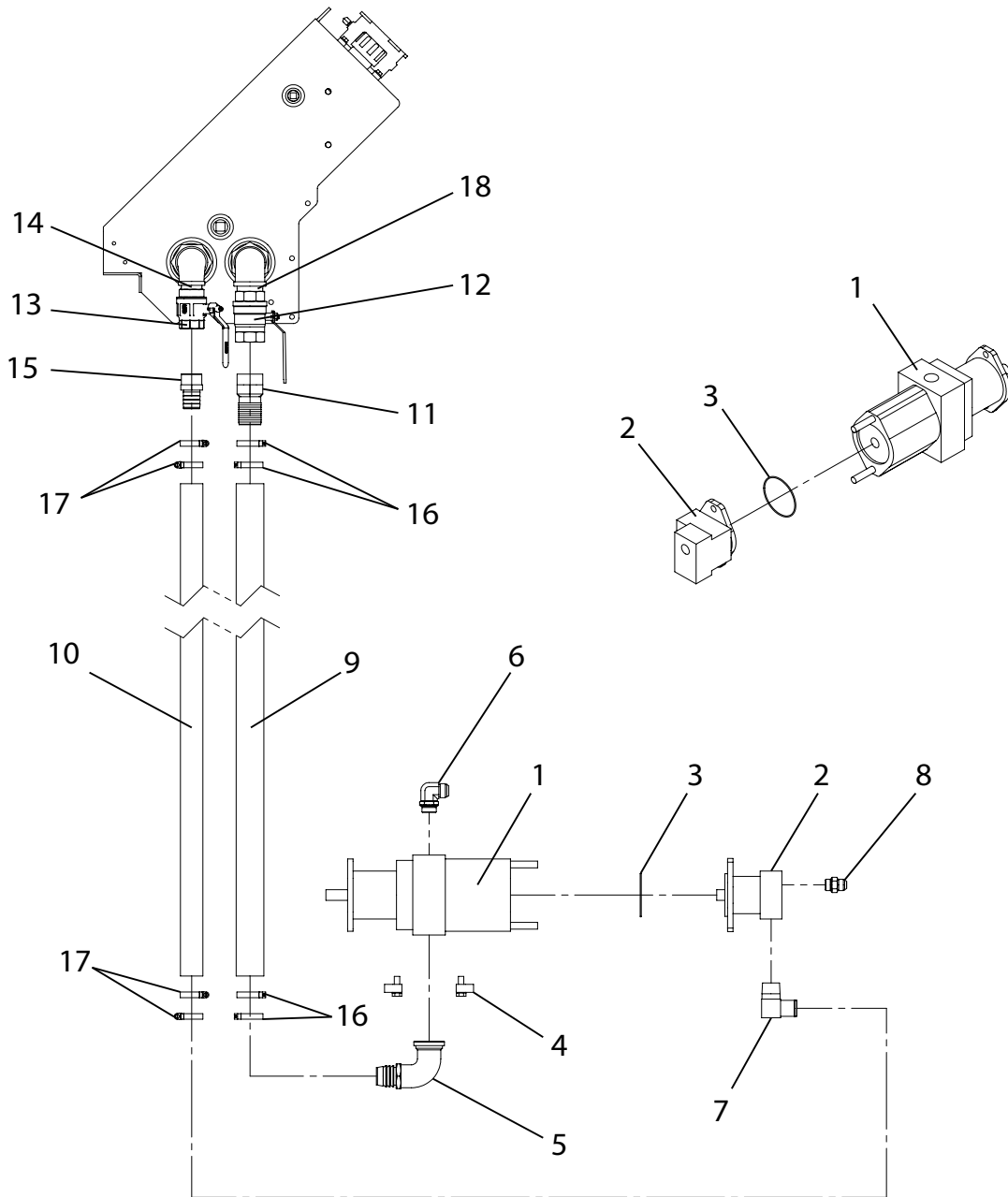


Standard Hydraulics - 4.38 CID Pump

<u>ITEM</u>	<u>PART NO.</u>	<u>DESCRIPTION</u>	<u>QTY</u>
1	86665	Pump - 4.38 CID Hydraulic Direct Mount	1
2	29780	Fitting - 1-7/8 - 12 SAE x 1-1/2 NPT	1
3	96654	Fitting - Hose End 1-1/2 NPT x 2" Hose	1
4	34845	Adapter	1
5	32401-108	Hose - Suction 2" x 108"	1
6	22380	Clamp - Hose	1
7	29811	Fitting - Hose End	1
8	305060	Valve - Ball 2"	1
9	22324	Nipple - 2 NPT	1

Body Hydraulics

Standard Hydraulics - 4.46 CID Tandem Pump



Standard Hydraulics - 4.46 CID Tandem Pump

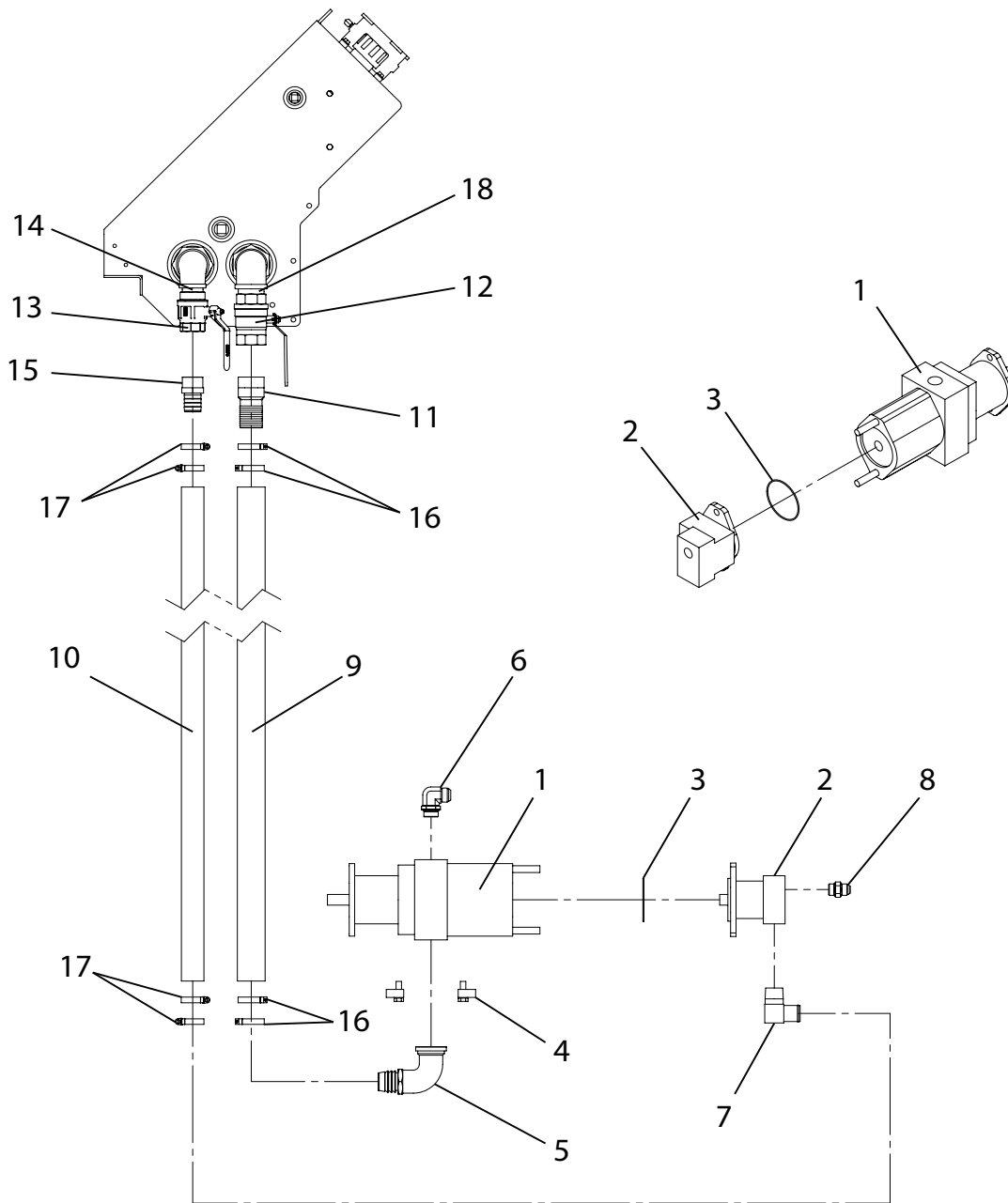
<u>ITEM</u>	<u>PART NO.</u>	<u>DESCRIPTION</u>	<u>QTY</u>
1	304424	Pump - 4.46 CID Hydraulic (Front section)	1
	* 300493	Gasket – Paper Pump	1
	* 300492	Cover – Pump Rear	1
2	304425	Pump – .93 CID (Rear section)	AR
3	300669	O-Ring – 4" ID	AR
4	41015	Kit – Flange Split -32	1
5	34806	Fitting – 32-32 12151-3-E90S-L	1
6	29840	Adapter – Elbow 90°	1
7	304427	Fitting – 20-20 430260	AR
8	29789	Fitting – 12-12 070120	AR
9	32401-108	Hose – Suction 2" x 108"	1
10	23184-108	Hose – Suction 1-1/4"	AR
11	29811	Fitting – Hose End	1
12	305060	Valve – Ball 2"	1
13	305059	Valve – Ball 1-1/4"	AR
14	6028	Nipple - 1-1/4 NPT	AR
15	16582	Fitting – Hose Barb	AR
16	22380	Clamp – Hose	4
17	6335	Clamp – Hose	AR
18	22324	Nipple - 2 NPT	1

AR - As Required

* - Not Shown – Use when .93 CID pump add-on not installed on 4.46 CID pump

Body Hydraulics

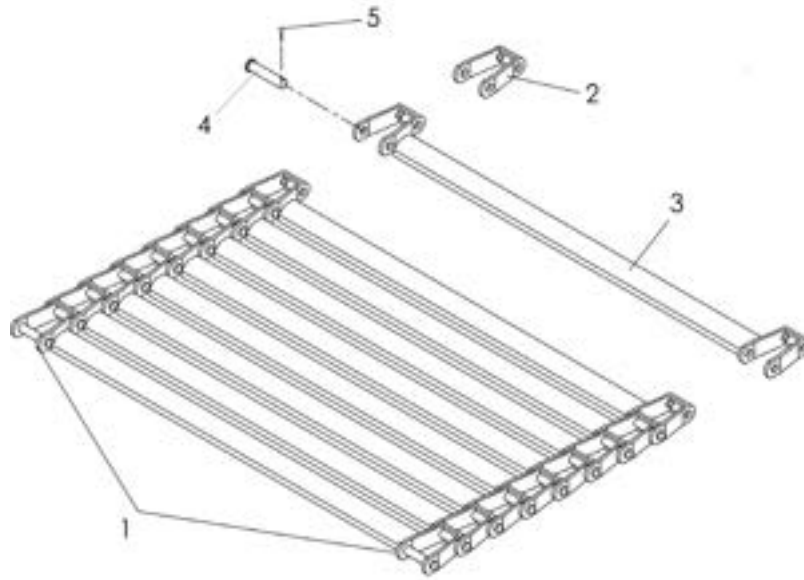
Hi Performance Pump Hydraulics



Hi Performance Pump Hydraulics

<u>ITEM</u>	<u>PART NO.</u>	<u>DESCRIPTION</u>	<u>QTY</u>
1	304424	Pump - 4.46 CID Hydraulic Direct Mount	1
2	304426	Add-on Pump - 2.17 CID	1
3	300669	O-Ring - 4" ID	1
4	41015	Kit - Flange Split -32	1
5	34806	Fitting - 32-32 12151-3-E90S-L	1
6	29840	Adapter - Elbow 90°	1
7	312904	Fitting - 24-20 430260	1
8	29789	Adapter	1
9	32401-108	Hose - Suction 2" x 108"	1
10	21878-108	Hose - Suction 1-1/2" x 108"	1
11	29811	Fitting - Hose End	2
12	305060	Valve - Ball 2"	1
13	310404	Valve - Ball 1-1/2"	1
14	22322	Nipple - 1-1/2 NPT	1
15	31680	End - Hose 1-1/2 NPT x 1-1/2" Hose	1
16	22380	Clamp - Hose	4
17	6288	Clamp - Hose	4
18	22324	Nipple - 2 NPT	1

#3 PintleChain Conveyor



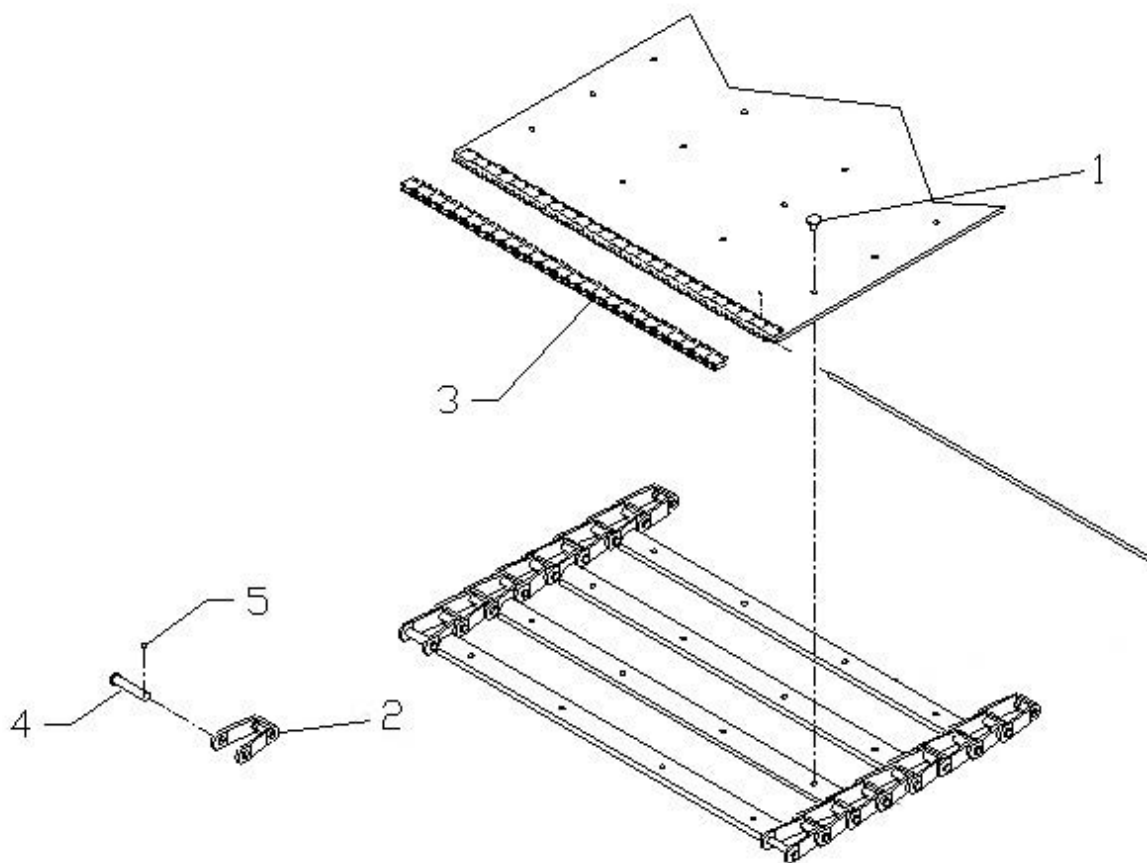
ITEM	PART NO.	DESCRIPTION	QTY
1		Full Chain Assembly - select from chart below	AR
2	36699	Link - Pintle Chain	AR
3	88859	Crossbar - Wldmt w/ Links, Includes Items 4 & 5	AR
4	36697	Pin - Pintle Chain	AR
5	20817	Pin - Cotter	AR

FULL ASSEMBLY

PART NO.	DESCRIPTION	QTY by Unit Length				
		12'	13'	14'	15'	16'
97075	Chain Segment - 40 LK #3	2	2	1		
99239	Chain Segment - 50 LK #3	1		1	2	1
97077	Chain Segment - 60 LK #3					1
97078	Chain Segment - 62 LK #3		1	1	1	1
36697	Pin - Pintle Chain	6	6	6	6	6
20817	Pin - Cotter	6	6	6	6	6

Conveyor

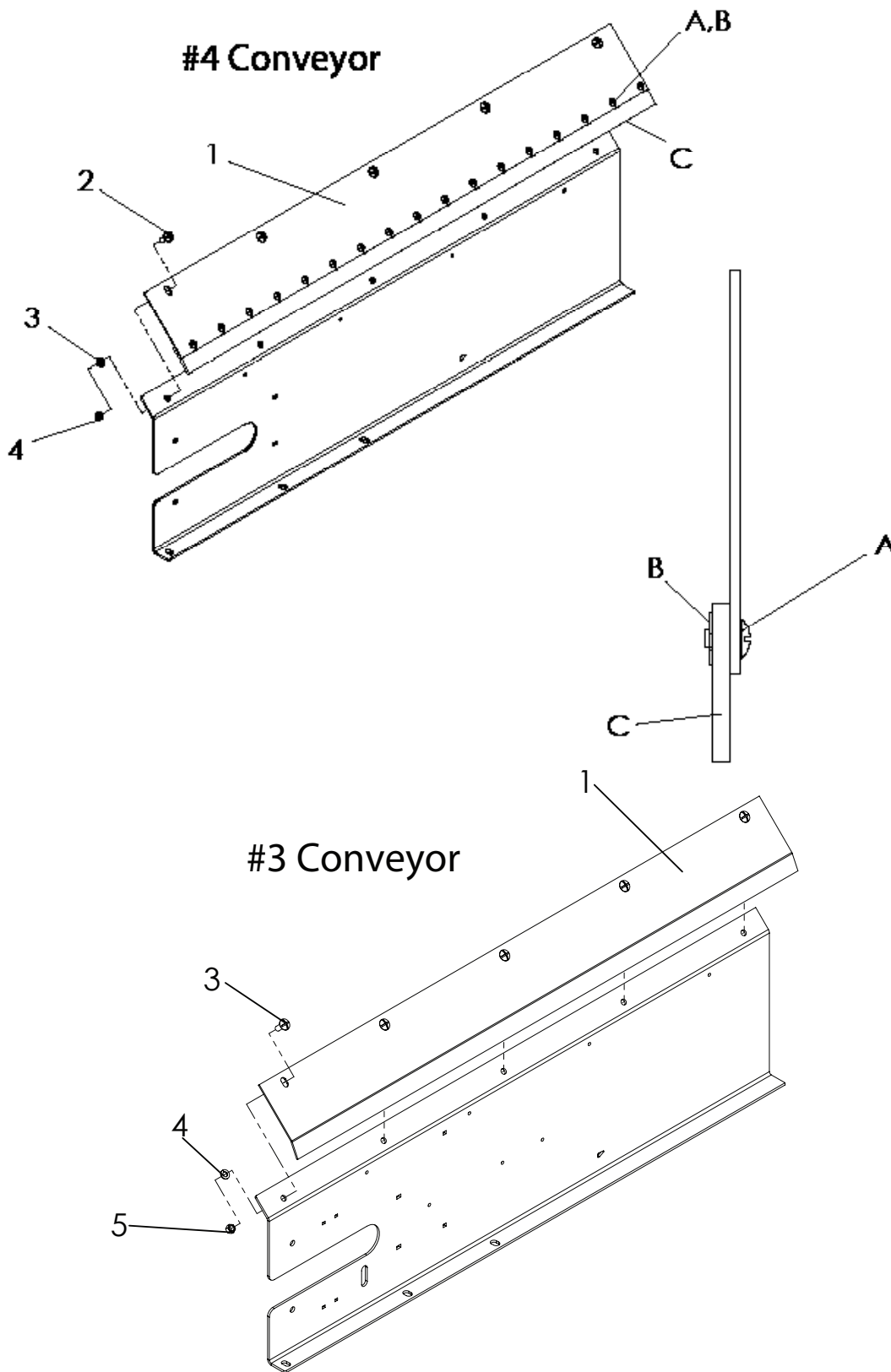
#4 Belt-Over-Chain Conveyor



<u>ITEM</u>	<u>PART NO.</u>	<u>DESCRIPTION</u>	<u>QTY</u>
	311465-AA	Belt-Over-Chain - #4 12' MOR	1
	311465-AB	Belt-Over-Chain - #4 13' MOR	1
	311465-AC	Belt-Over-Chain - #4 14' MOR	1
	311465-AD	Belt-Over-Chain - #4 15' MOR	1
	311465-AE	Belt-Over-Chain - #4 16' MOR	1
1	305646	Screw - #4BOC 1/4 x 9/16 torx Flat Head	AR
2	310295	Crossbar - Wldmt w/ Links, Includes Items 4 & 5	AR
3	73317	Kit - Splicer	1
		Lacing Strips 23"	2
	56405	Pin - Connecting	1
		Staples	AR
4	36697	Pin - Pintle Chain	AR
5	20817	Pin - Cotter	AR
6	36699	Link - Pintle Chain	AR

Conveyor

Conveyor Chain Shields



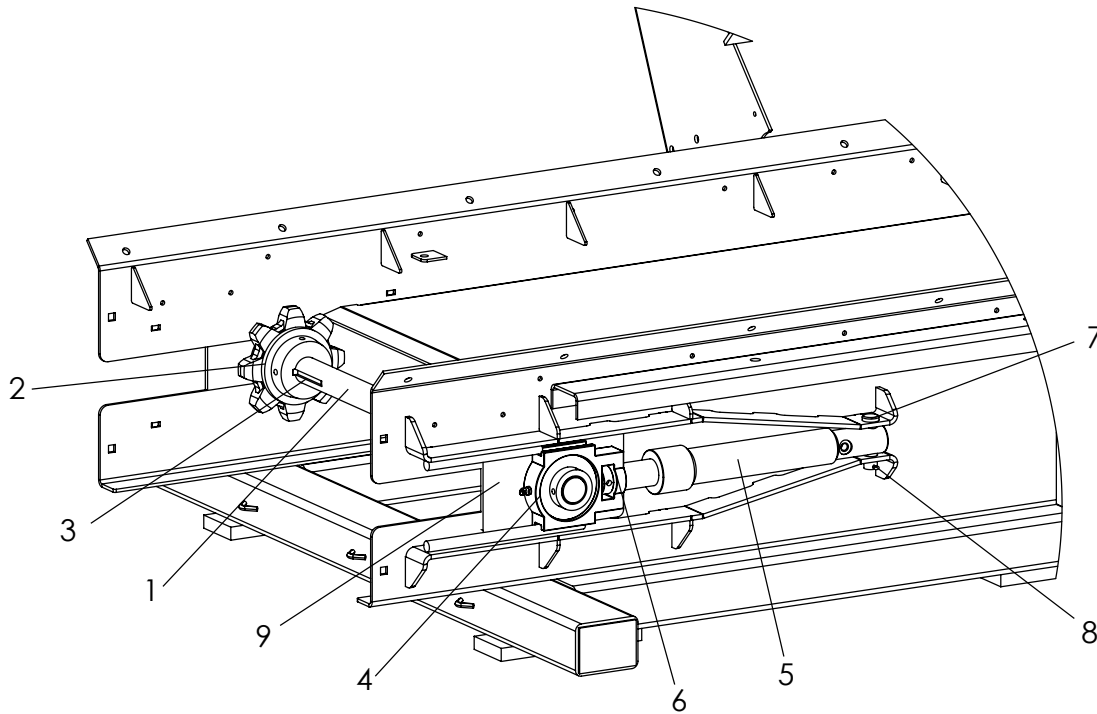
Conveyor**Conveyor Chain Shields**

<u>ITEM</u>	<u>PART NO.</u>	<u>DESCRIPTION</u>	<u>QTY</u>
	304 SS		
1		Chain Shield – #3 Chain	
	97749-AA	12' Unit	2
	97749-AB	13' Unit	2
	97749-AC	14' Unit	2
	97749-AD	15' Unit	2
	97749-AE	16' Unit	2
2		Chain Shield – #4 Chain	
	97853	12' Unit	2
	97854	13' Unit	2
	97855	14' Unit	2
	97856	15' Unit	2
	97857	16' Unit	2
A	56258	Screw – Truss Head 1/4 x 1/2	AR
B	88931	Nut – Tee 1/4 x 1/4	AR
C	305975	Sealer - Belt, #4 BOC Shield	AR
		(Specify Unit Length)	
3	71829	Bolt – Carriage 3/8 x 1	AR
4	36420	Washer – Lock 3/8	AR
5	36414	Nut – Hex 3/8	AR

AR - As Required

Conveyor

Conveyor Idler

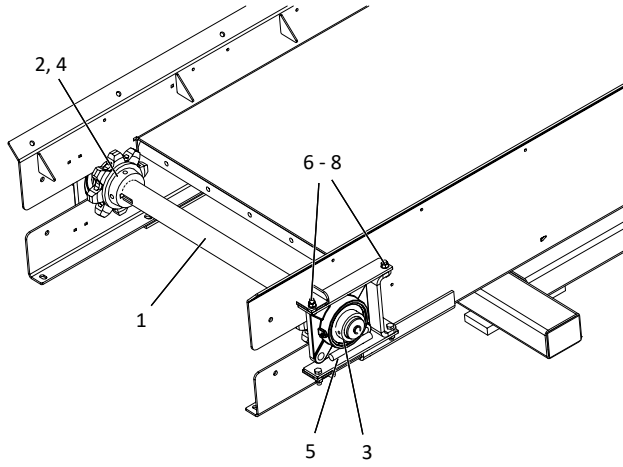
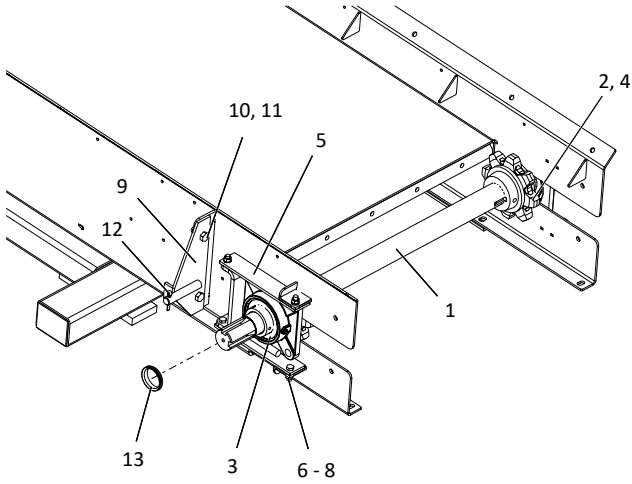


Conveyor**Conveyor Idler**

<u>ITEM</u>	<u>PART NO.</u>	<u>DESCRIPTION</u>	<u>QTY</u>
	97053	Shaft - Idler Assembly, Includes Items 1 - 4	1
1	82799	Shaft - Idler	1
2	97051	Sprocket - Idler	2
3	2135	Key - Square 5/16 x 2-1/2	2
4	22511	Bearing - Take-up	2
5	311359	Cylinder - Ram 1-1/2 x 8"	2
	312938	Kit - Seal, Snap-in Rod Wiper	1
	312939	Kit - Seal, Press-in Rod Wiper	1
6	2696	Collar - Set 1"	2
7	89630	Pin - Clevis 3/4 x 2-3/4	2
8	20822	Pin - Cotter	2
9	311670	Plate - Cover	2

Conveyor

Conveyor Drive



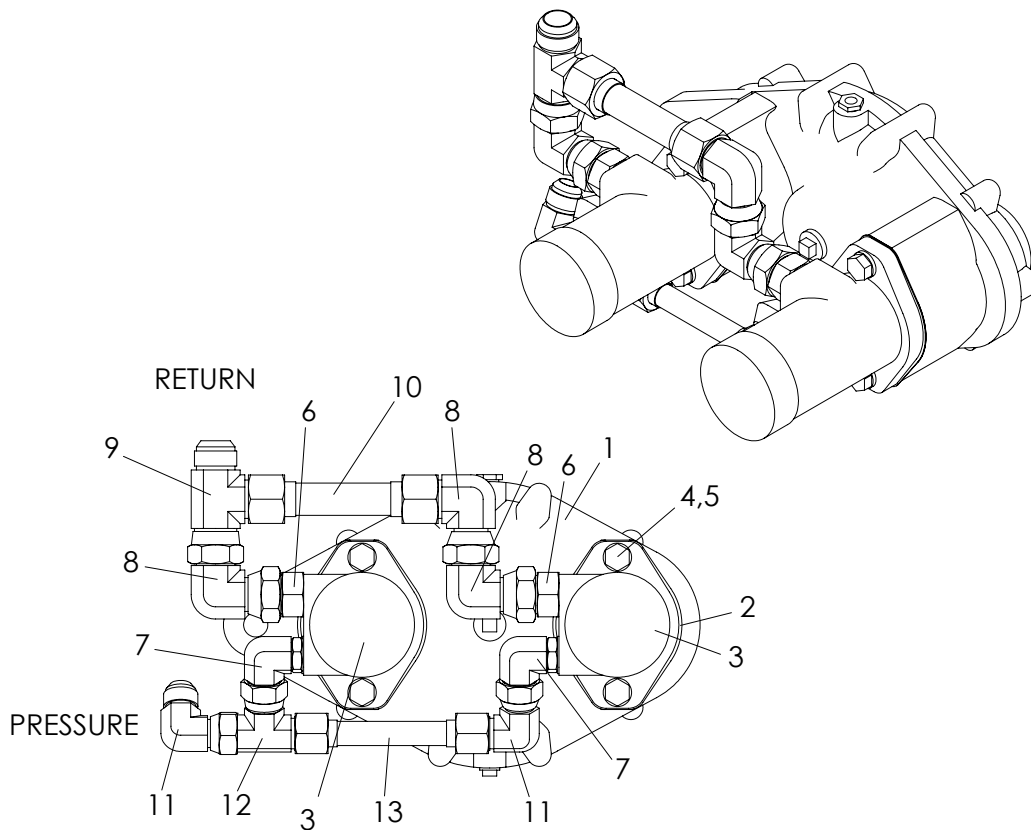
Conveyor**Conveyor Drive**

<u>ITEM</u>	<u>PART NO.</u>	<u>DESCRIPTION</u>	<u>QTY</u>
	97052	Shaft - Drive Assy, Includes Items 1 - 5	
1	310606	Shaft – Drive	1
2	88276	Sprocket	2
	20743	Screw – Set 5/16 x 3/8	1
3	6465	Bearing	2
4	6131	Key – Square 3/8 x 1 1/2	2
5	56264	Cap/Plug - Plastic	1
6	82885	Guide – Bearing	4
7	36399	Cap Screw - 3/8 x 1 1/4	8
8	36420	Washer – Lock 3/8	8
9	36414	Nut – Hex 3/8	8
10	82552	Bracket – Torque Arm LH	1
11	20128	Cap Screw - 1/2 x 1 1/4	2
12	20680	Nut – Lock 1/2	2
13	20833	Pin – Cotter 1/4 x 1 1/2	1
14	311172	V-Ring Seal	1

* Not Shown

Conveyor

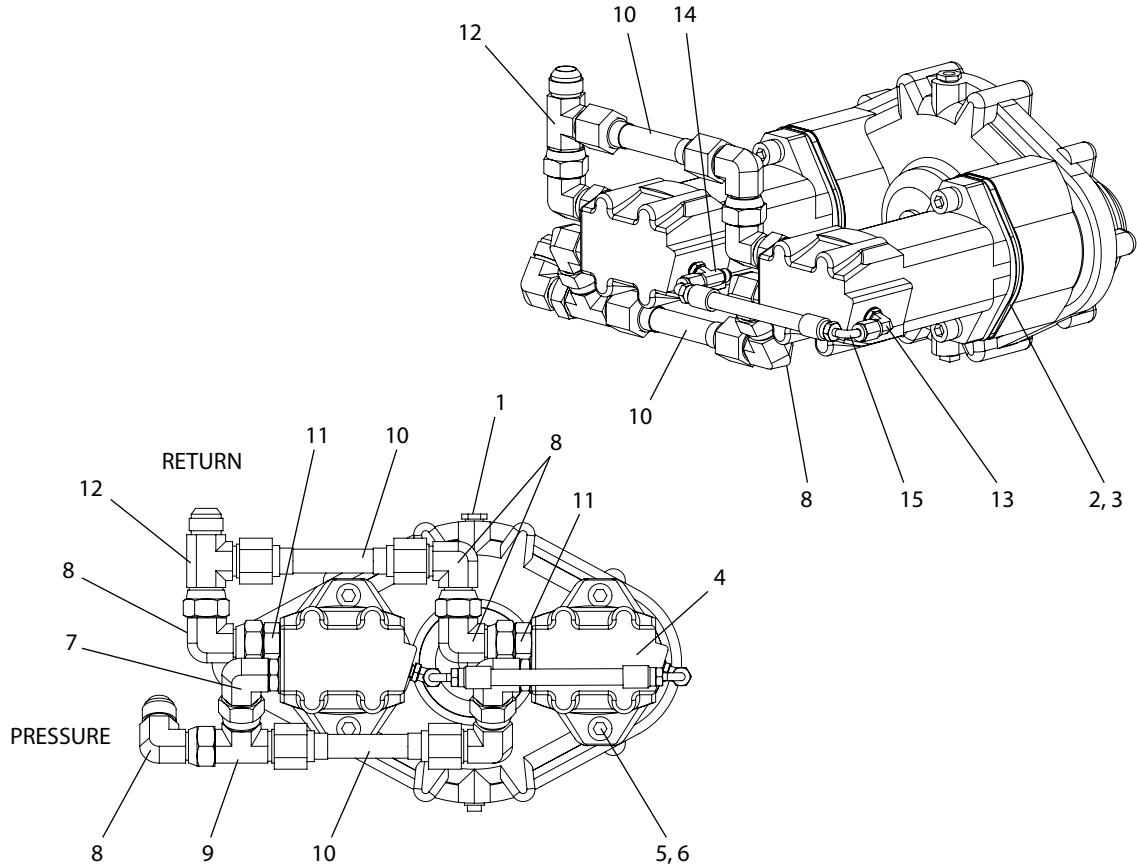
Gearcase - Dual Pinion Assembly Standard Hydraulics



ITEM	PART NO.	DESCRIPTION	QTY
1	37985	Gearcase 6:1	1
2	74524	Gasket - SAE 101-2 (B)	2
3	82459	Motor - Hydraulic 14.1 CID 1-1/4"	2
4	20714	Washer - Lock 1/2	4
5	20129	Cap Screw - 1/2-13NC x 1-1/2	4
6	29778	Fitting - 16-10 070120	2
7	29773	Fitting - 12-10 070220	2
8	29807	Fitting - 16-16 070221	3
9	29850	Fitting - 16-16-16 070432	1
10	80888	Tube - 1 OD x 4-5/8 Assy	1
11	34709	Fitting - 12-12 070221	2
12	29809	Fitting - 12-12-12 070433	1
13	80886	Tube - 3/4 OD x 4-7/8 Assy	1

Conveyor

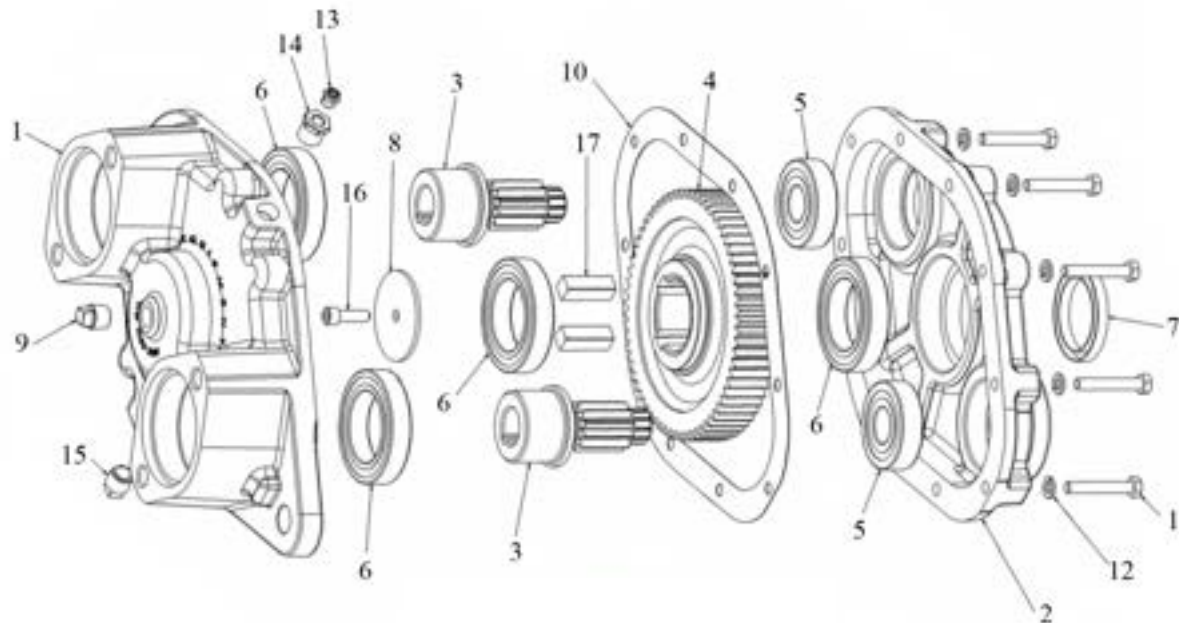
Gearcase - Dual Pinion Assembly Hi Performance Hydraulics



<u>ITEM</u>	<u>PART NO.</u>	<u>DESCRIPTION</u>	<u>QTY</u>
1	37985	Gearcase 6:1	1
2	74524	Gasket - SAE 101-2 (B)	4
3	34650	Spacer - Gear Case Motor	2
4	56261	Motor - Hydraulic 2000 Series 6.2 CID	2
5	305098	Screw - Sockethead 1/2-13 NC x 1-3/4	4
6	30227	Washer - Lock 1/2	4
7	29773	Fitting - 12-10 070220	2
8	34709	Fitting - 12-12 070221	5
9	29809	Fitting - 12-12-12 070433	1
10	98707	Tube - 3/4 OD x 4-7/8 Assy 304	2
11	29753	Fitting - 12-10 Special Straight JIC x SAE	2
12	29781	Fitting - 12-12-12 070432	1
13	29795	Fitting - 4-4 070220	1
14	34700	Fitting - 4-4-4 070429	1
15	98760	Hose - 1/4 x 7-7/8 Drain	1

Conveyor

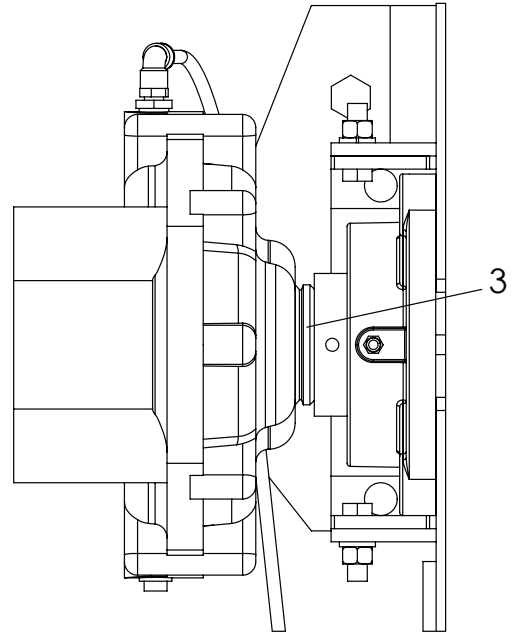
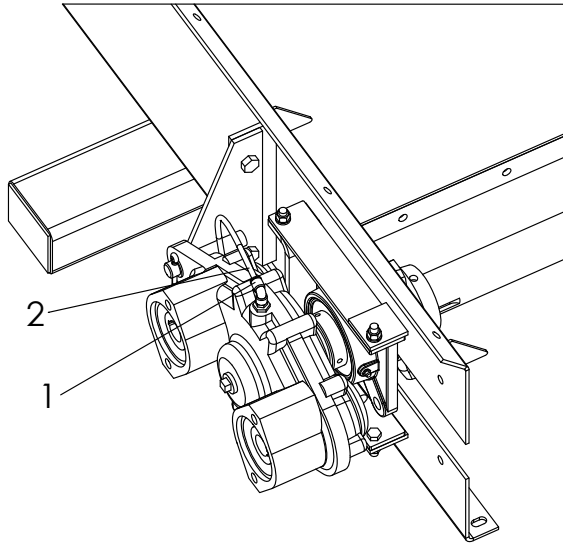
Gearcase Service Parts



ITEM	PART NO.	DESCRIPTION	QTY
	304268-AB	Parts – Service, Includes 1–17	
1	304557	Housing – Outboard	1
2	304558	Housing – Inboard	1
3	304561	Gear – Pinion 11 Tooth	2
4	304562	Gear – Driven 67 Tooth	1
5	37007	Bearing	2
6	37008	Bearing	4
7	37006	Seal – Oil	1
8	38979	Washer – Flat 2-1/2 x 11/32	2
9	6031	Plug – Pipe	1
10	304564	Gasket – Housing	1
11	20040	Cap Screw – 5/16NC x 2	10
12	20711	Washer – Lock 5/16	10
13	2564	Cap – Breather	1
14	27465	Bushing – Pipe 1/8 x 3/8	1
15	21490	Plug – Pipe Magnetic	1
16	38980	Screw – Allen Head 5/16-18 x 1	1
17	37010	Key - 1/2 x 1/2 x 1-1/2	2

Conveyor

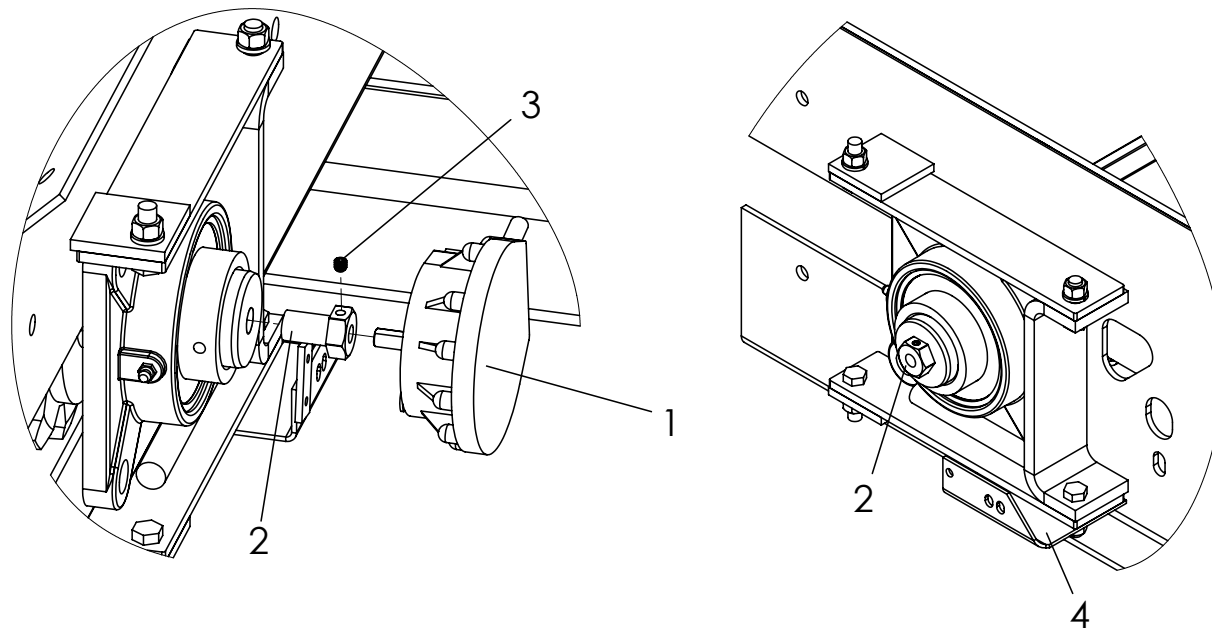
Gear Case Breather Tube



<u>ITEM</u>	<u>PART NO.</u>	<u>DESCRIPTION</u>	<u>QTY</u>
1	306891	Fitting - 4-2 630202K	1
2	9005-0-7761	Tubing - 1/4" OD Air Brake Black	1.5 ft
3	311172	V-Ring Seal	1

Conveyor

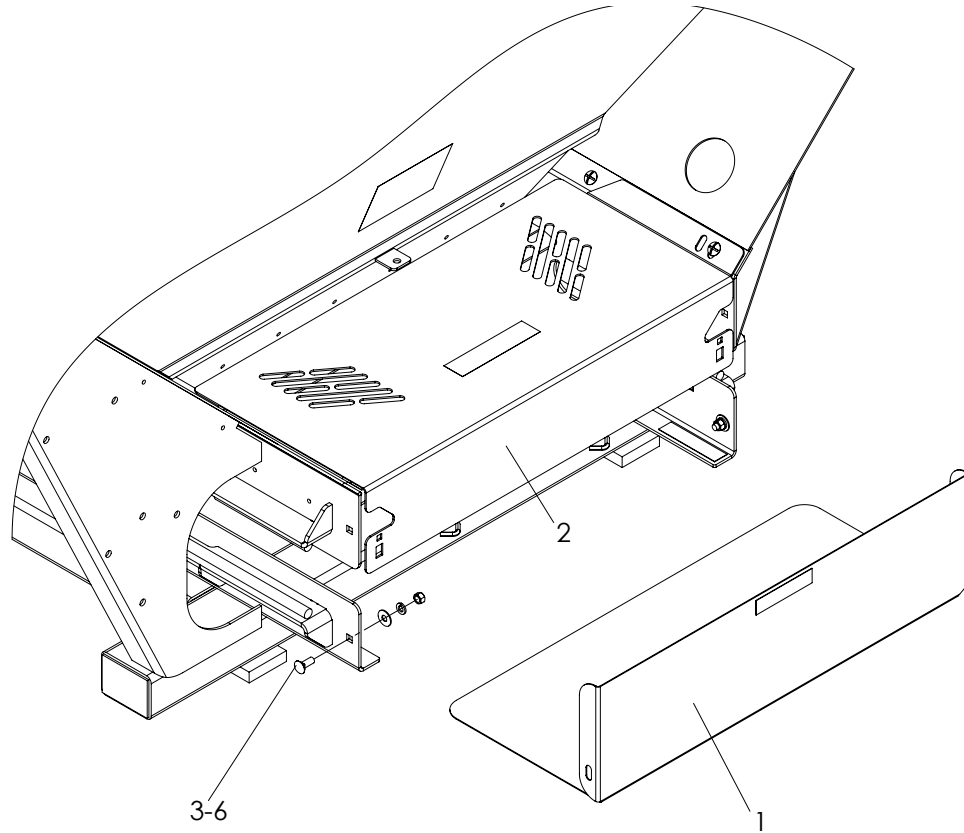
Encoder



ITEM	PART NO.	DESCRIPTION	QTY
1	303994	Encoder – 180 with Hardware	1
2	310601	Coupler - Rate Sensor SS	1
3	310603	Screw - Set 1/4-20NC x 5/16 SS	1
4	304946	Bracket - Sensor, Drive Mount	1

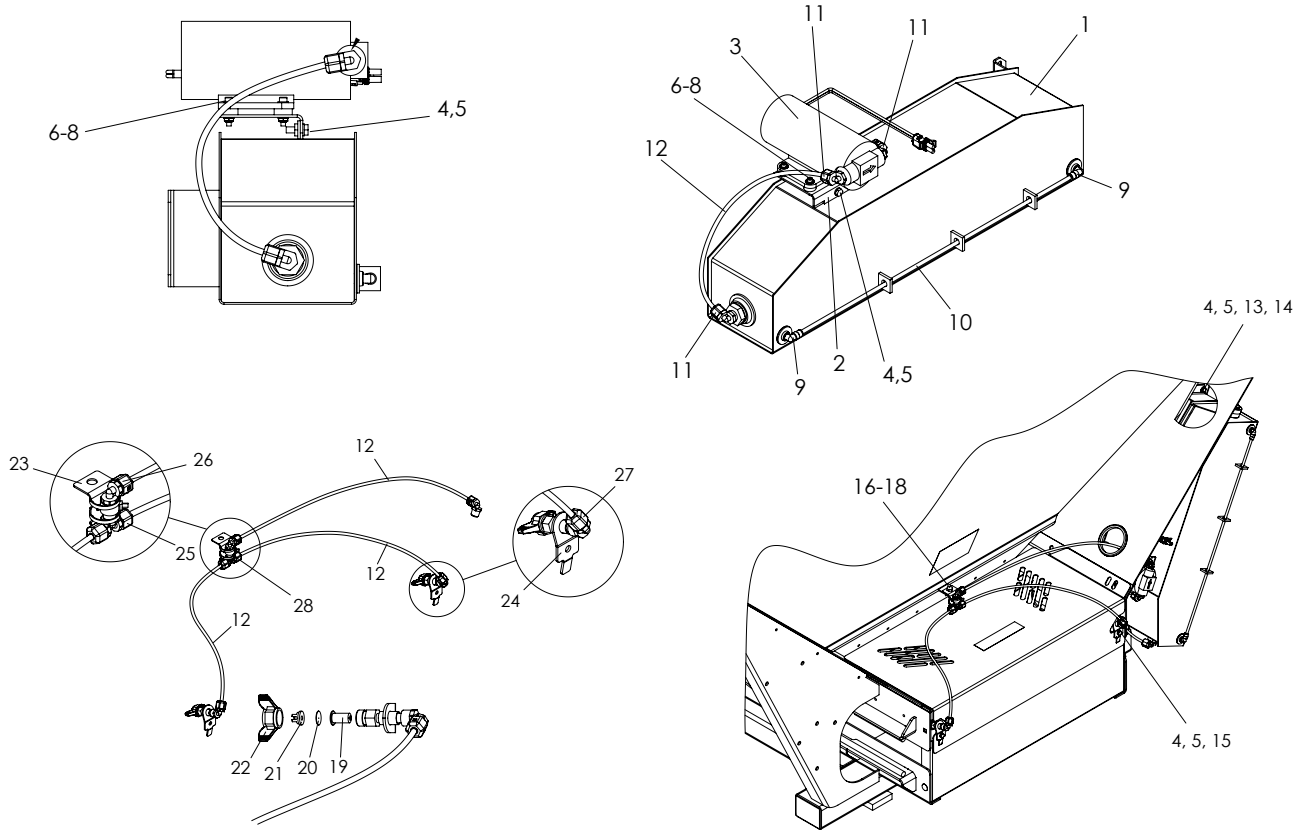
Conveyor Cover

NL4500G4



<u>ITEM</u>	<u>PART NO.</u>	<u>DESCRIPTION</u>	<u>QTY</u>
1	308860	Guard - Front Bottom	1
2	311518	Guard - Front Top	1
3	36408	Bolt - Carriage 3/8-16NC x 1 SS	2
4	36425	Washer - Flat 3/8 SS	2
5	36420	Washer - Lock 3/8 SS	2
6	36414	Nut - Hex 3/8-16NC SS	2

Conveyor Chain Oiler



<u>ITEM</u>	<u>PART NO.</u>	<u>DESCRIPTION</u>	<u>QTY</u>
	310760	Tank – Assy, Includes 1-12	
	310762	Nozzle & Hose - Assy, Includes 12,19-27	
1	304398	Tank – Wldmt	1
2	304409	Mount - Pump	1
3	304390	Pump - Assy with connector	1
	304834	Pump – Diagram 1.1 GPM 30 PSI	1
	303730-AB	Connector – FEM Socket Sealed	1
	303730-CC	Terminal – FEM Sealed (Sleeve)	2
	303730-EB	Seal – Cable Lt Gray	2
4	36393	Cap Screw – 1/4-20NC x 3/4 SS	7
5	36418	Washer – Lock 1/4 SS	7
6	44454	Screw - Socket #10-24 NC x 1 SS	4

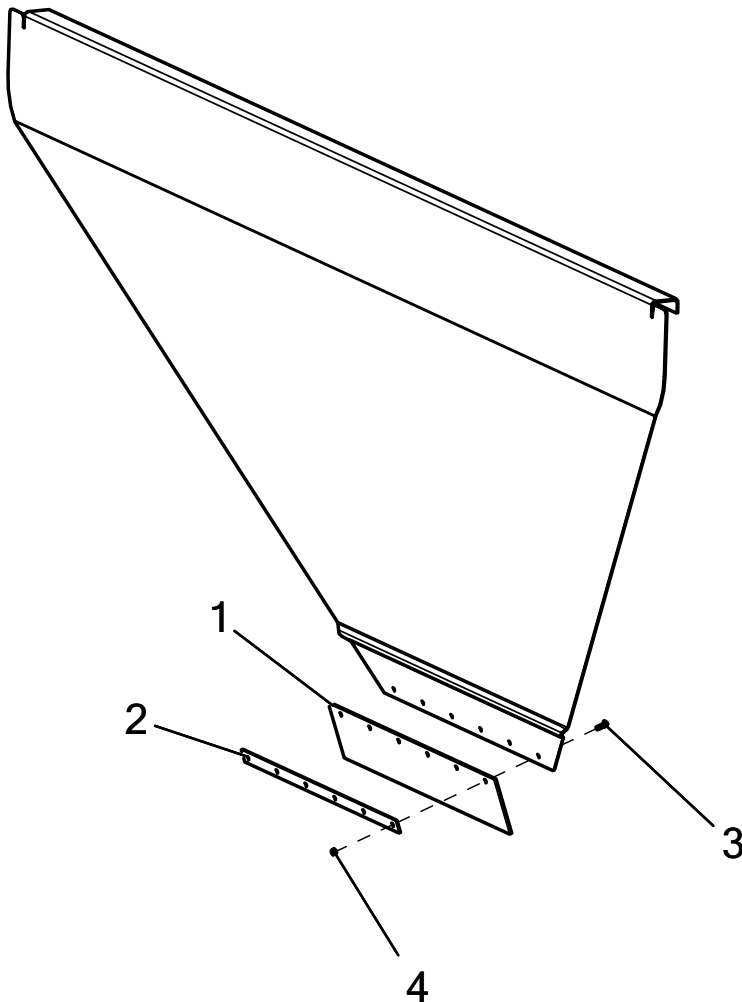
Conveyor**Conveyor Chain Oiler**

<u>ITEM</u>	<u>PART NO.</u>	<u>DESCRIPTION</u>	<u>QTY</u>
7	171052	Washer – Flat #10 SS	8
8	56355	Nut - Hex Lock #10-24 NC SS	4
9	301337	Fitting – 90 Male 1/8 NPT	2
10	306437	Tubing - Clear	Feet 1.2
11	309902	Elbow	3
12	301338		Feet 6.6
13	36423	Washer - Flat 1/4 SS	4
14	36412	Nut - Hex 1/4-20NC SS	4
15	311696	Nut - Caged 1/4-20NC SS	2
16	36293	Cap Screw - 3/8-16NC x 3/4 SS	1
17	36420	Washer - Lock 3/8 SS	1
18	36414	Nut - Hex 3/8-16NC SS	1
19	306651	Strainer - Check Valve	2
20	306652	Plate – Orifice SS	2
21	306654	Nozzle – Even Flat Spray SS	2
22	306653	Cap – Nozzle	2
23	306804	Bracket – Coupling	1
24	310757	Nozzle - Mount Assy	2
25	309905	Tee - HDPP 1/4 NPT Male	1
26	309904	Elbow - HDPP 1/4 NPTF Female	1
27	309903	Elbow - HDPP 1/8 NPTF Female	2
28	99674	Tie - Wire	1
29	*21476	Decal - Conveyor Chain Life	1
30	*306670	Tape – Thread Seal w/PTFE Yellow Gas Line	AR

* - Not Shown AR - As Required

Conveyor

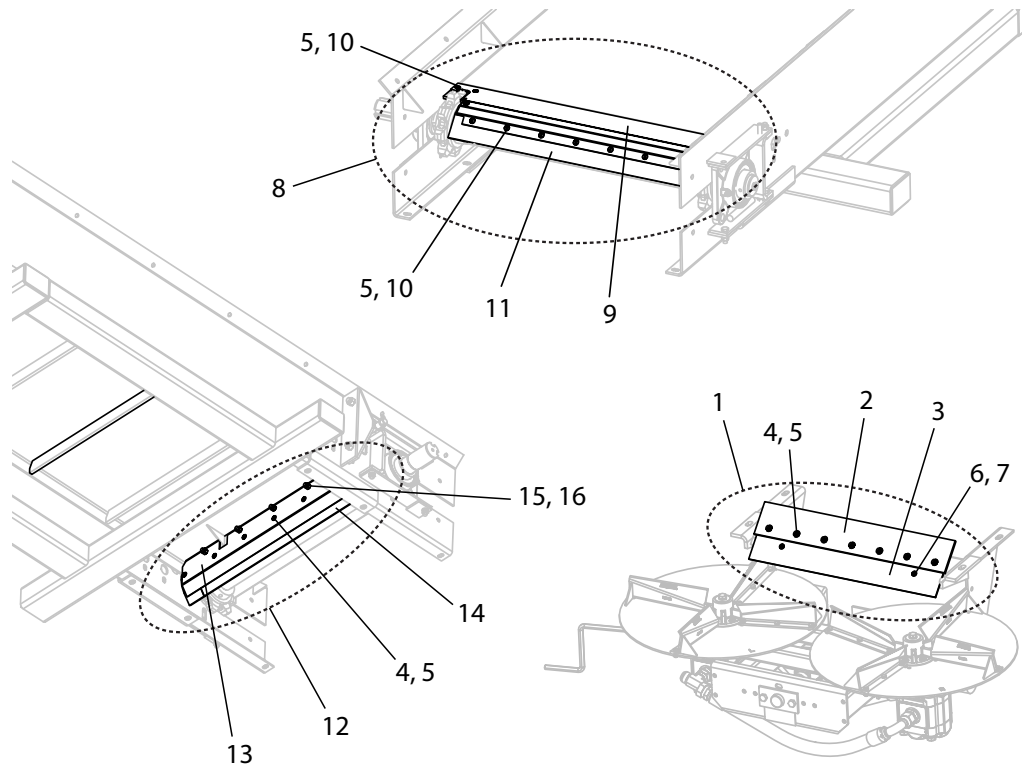
Wiper Front



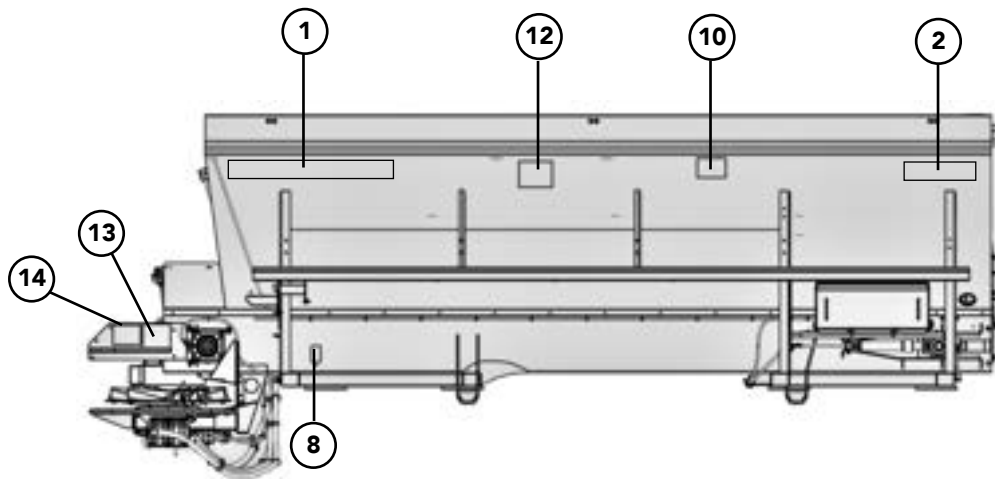
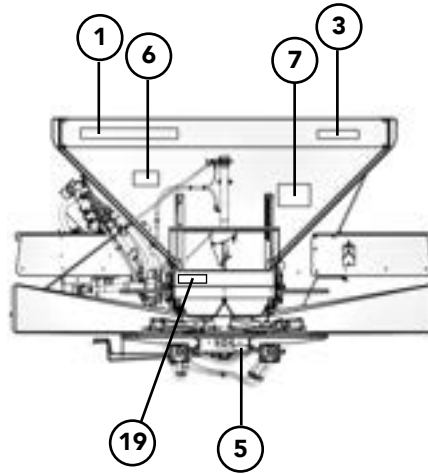
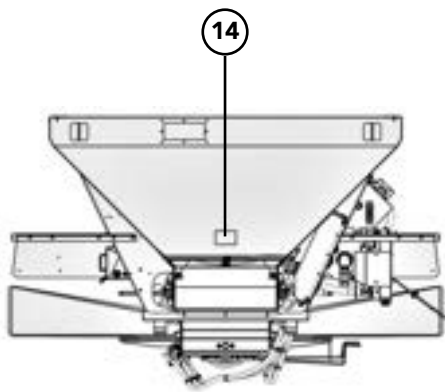
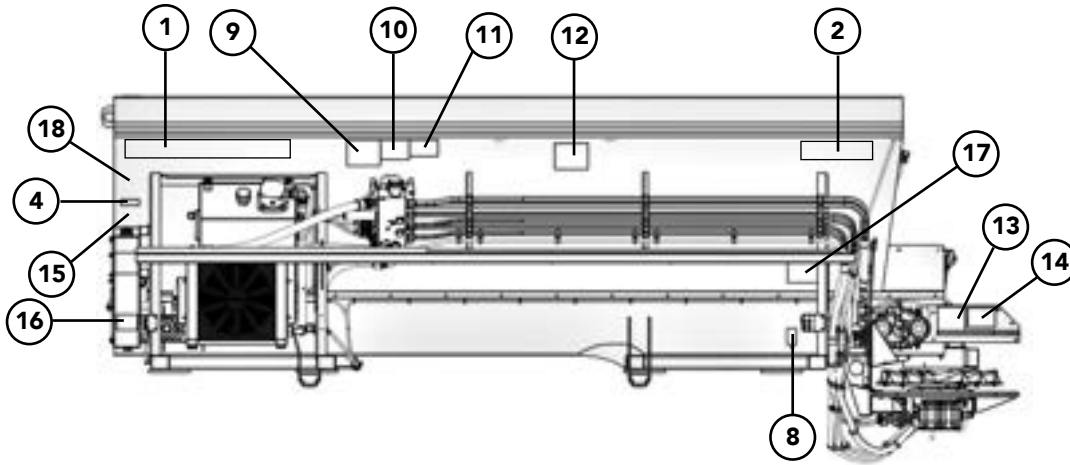
<u>ITEM</u>	<u>PART NO.</u>	<u>DESCRIPTION</u>	<u>QTY</u>
	90826	Belt - Front Wiper Assy, Includes Items 1 - 4	1
1	14743	Wiper - Belt	1
2	71656	Retainer - Belt 304	1
3	32446	Screw - TR HD 1/4 x 3/4	6
4	36412	Nut - Hex 1/4	6

Conveyor

Rear Wiper - #3 Conveyor



ITEM	PART NO.	DESCRIPTION	QTY
	98086	Lip - Rear 30" Group 304, Includes Items 8 - 16	1
1	96744	Kit - Wiper Belt, Includes Items 2 - 7	1
2	304418	Belt - Rear Wiper 30"	1
3	96746	Plate - Wiper Belt Spinner/Conveyor	1
4	56258	Screw - Truss Head 1/4-20NC x 1/2 SS	7
5	88931	Nut - Tee 1/4	AR
6	32446	Screw - Truss Head 1/4-20NC x 3/4 SS	2
7	42034	Nut - Lock 1/4-20NC SS	2
8	98068	Lip - Rear 30" 304 Assy, Includes Items 9 - 11, 5	1
9	98030	Lip - Wldmt Rear 30" 304	1
10	56400	Screw - Flat Head 1/4-20NC x 1/2 SS	13
11	305331	Wiper - 30" Rear Lip	1
12	304416	Wiper - 30" Internal Assy, Includes Items 13, 14, 4, 5	1
13	304422	Mount - 30" Internal Wiper 304	1
14	304423	Rubber - Internal Wiper	1
15	36399	Cap Screw - 3/8-16NC x 1-1/4 SS	5
16	72054	Nut - Lock 3/8-16NC SS	5

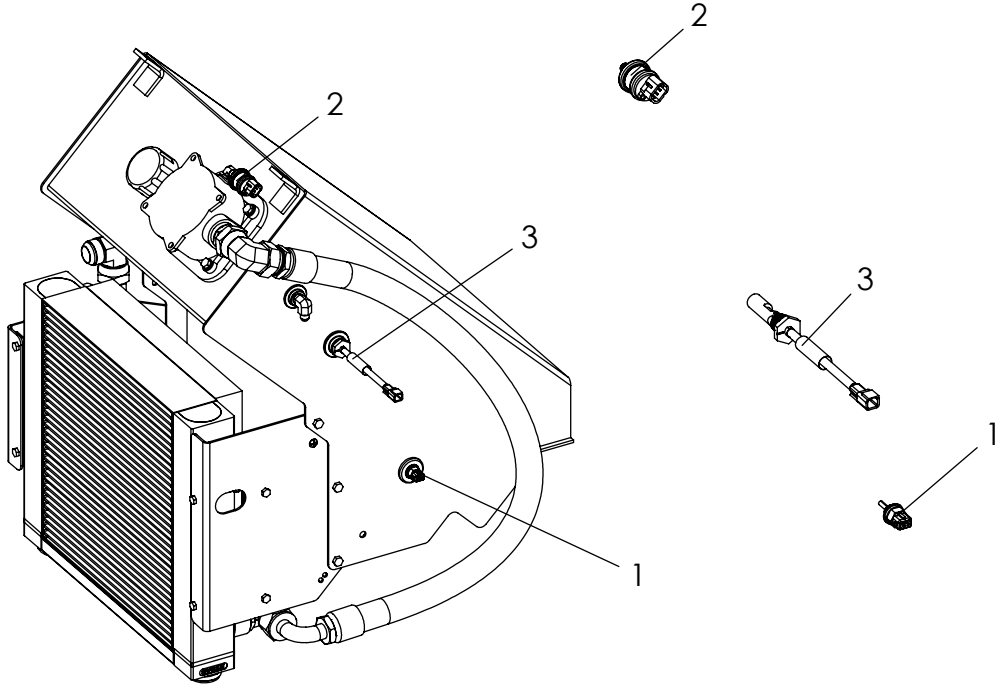


<u>ITEM</u>	<u>PART NO.</u>	<u>DESCRIPTION</u>	<u>QTY</u>
1	312561	Decal - New Leader, Black	2
2	316541	Decal - G4 Edge, Black/Red	2
3	312563	Decal - NL4500, Black	1
4	302061	Decal - Patent 6,817,551	1
5	98319	Decal - Patent	1
6	312276	Decal - Notice Spread Pattern	1
7	368	Decal - Danger, Flying Material	1
8	311828	Decal - Important, Chain Tension	2
9	150034	Decal - Caution, Improper Operation	1
10	364	Decal - Danger, Moving Part	2
11	321	Decal - Caution, Hazardous Material	1
12	39138	Decal - Warning, High Pressure Fluid	2
13	55630	Decal - Warning, Falling Hazard	1
14	55631	Decal - Warning Moving Part Hazard	1
15	21476	Decal - Notice, Conveyor Chain Lubrication	1
16	311814	Decal - Grease Bank Front	1
17	311815	Decal - Grease Bank Rear	1
18	315865	Decal - Warning, Prop 65	1
19	316499	Decal - G4 Edge, Black/Red	1

See Safety section of operator's manual for details.

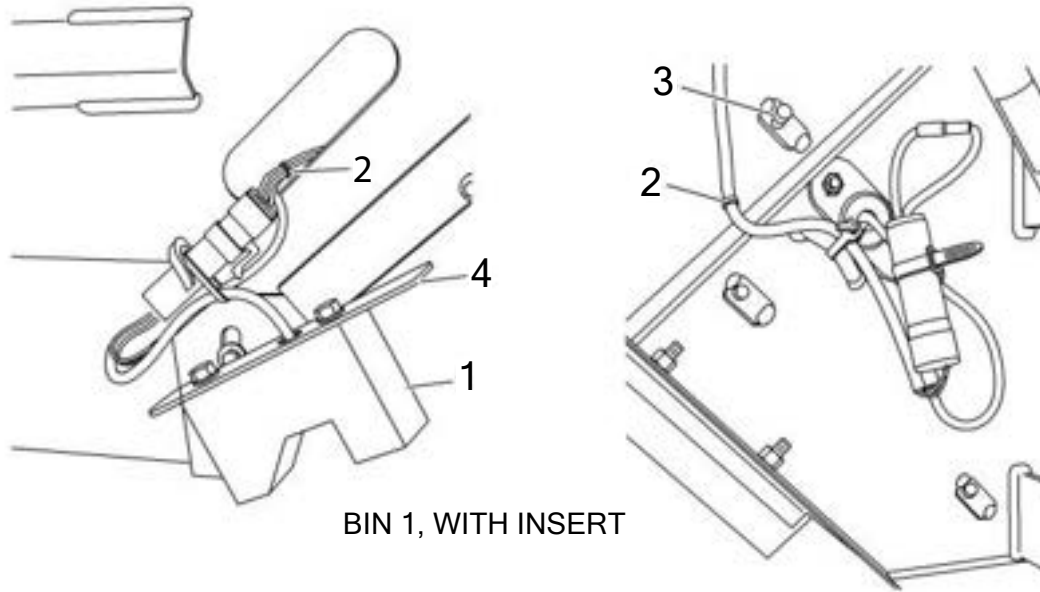
Electronics

Hydraulic Reservoir Sensors

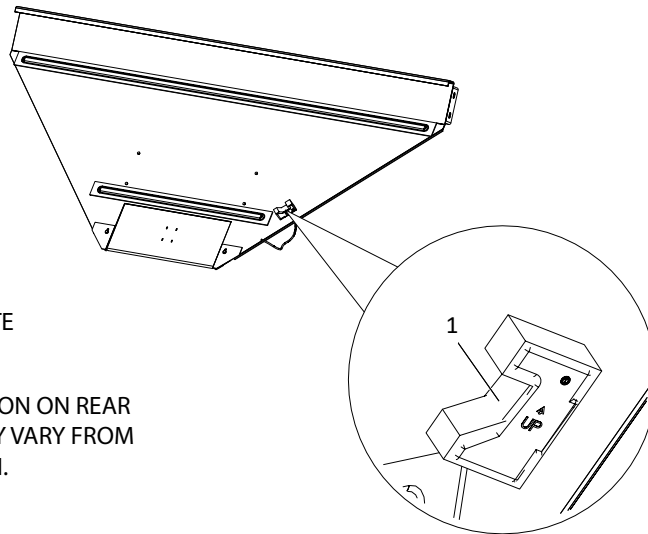


<u>ITEM</u>	<u>PART NO.</u>	<u>DESCRIPTION</u>	<u>QTY</u>
1	311075	Sensor - Temp	1
2	311076	Switch - Pressure	1
3	316127	Sensor - Oil Level	1

Bin Sensor



BIN 1, WITH INSERT



REAR ENDGATE

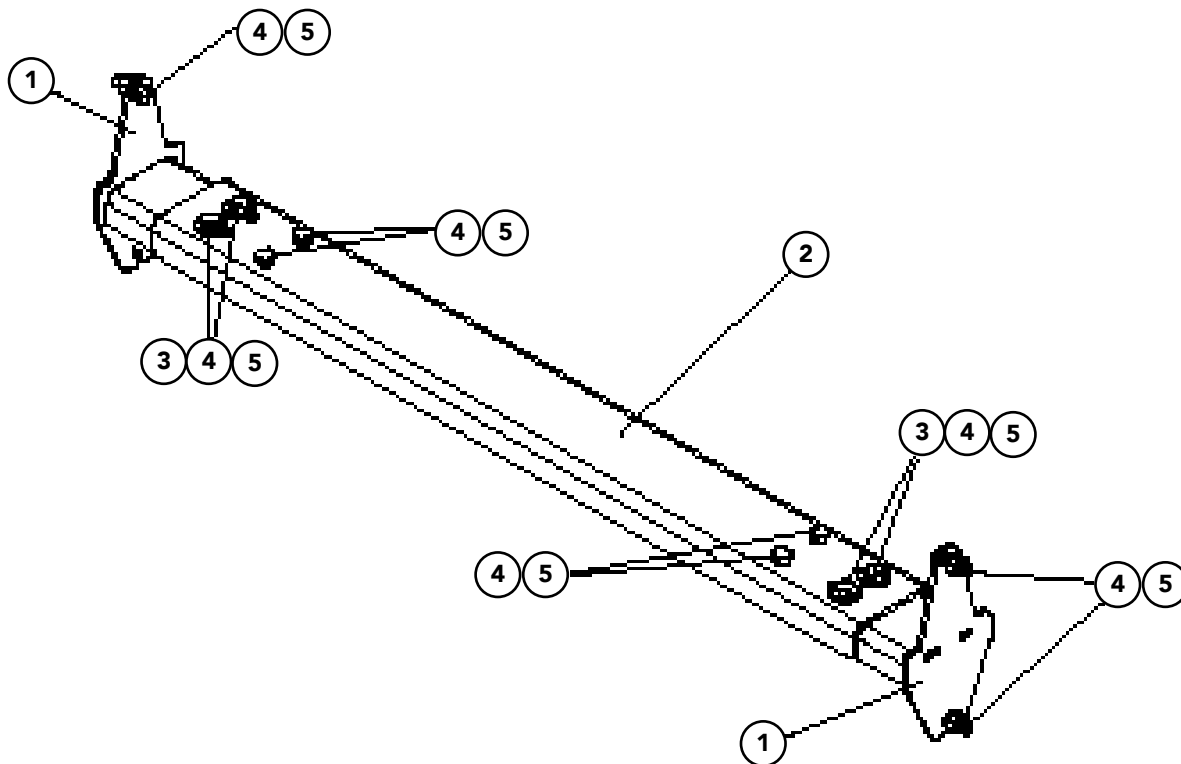
NOTE: LOCATION ON REAR ENDGATE MAY VARY FROM ILLUSTRATION.

ITEM	PART NO.	DESCRIPTION	QTY
1	98787-AB	Sensor - Bin Level w/ 18" Lead	AR
2	307130	Cable - Jumper 102"	AR
3	36393	Cap Screw - 1/4-20NC x 3/4 SS	AR
4	307124	Mount - Sensor 304	AR
5	*98787-AD	Cable - 27" Bin Sensor	AR

* - Not Shown

Electronics

Controller Mount

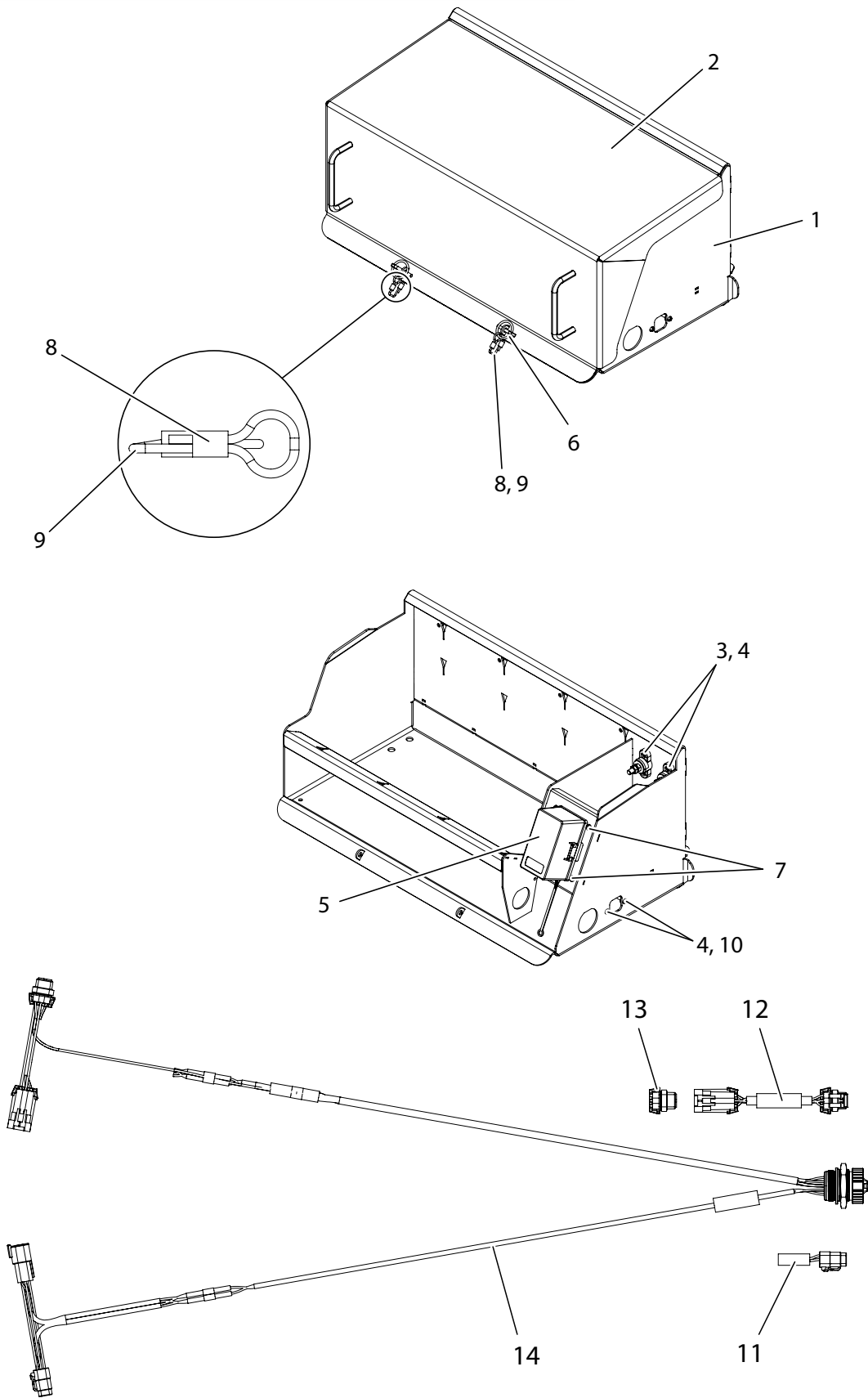


<u>ITEM</u>	<u>PART NO.</u>	<u>DESCRIPTION</u>	<u>QTY</u>
	311839	Enclosure - Group Mounting	
1	311850	Mount - Wldmt	2
2	310717	Channel - Mount	1
3	36425	Washer - Flat 3/8 SS	4
4	36398	Cap Screw - 3/8-16NC x 1 SS	12
5	72054	Nut - Lock 3/8-16NC SS	12

This page is intentionally left blank.

Electronics

Enclosure Assembly

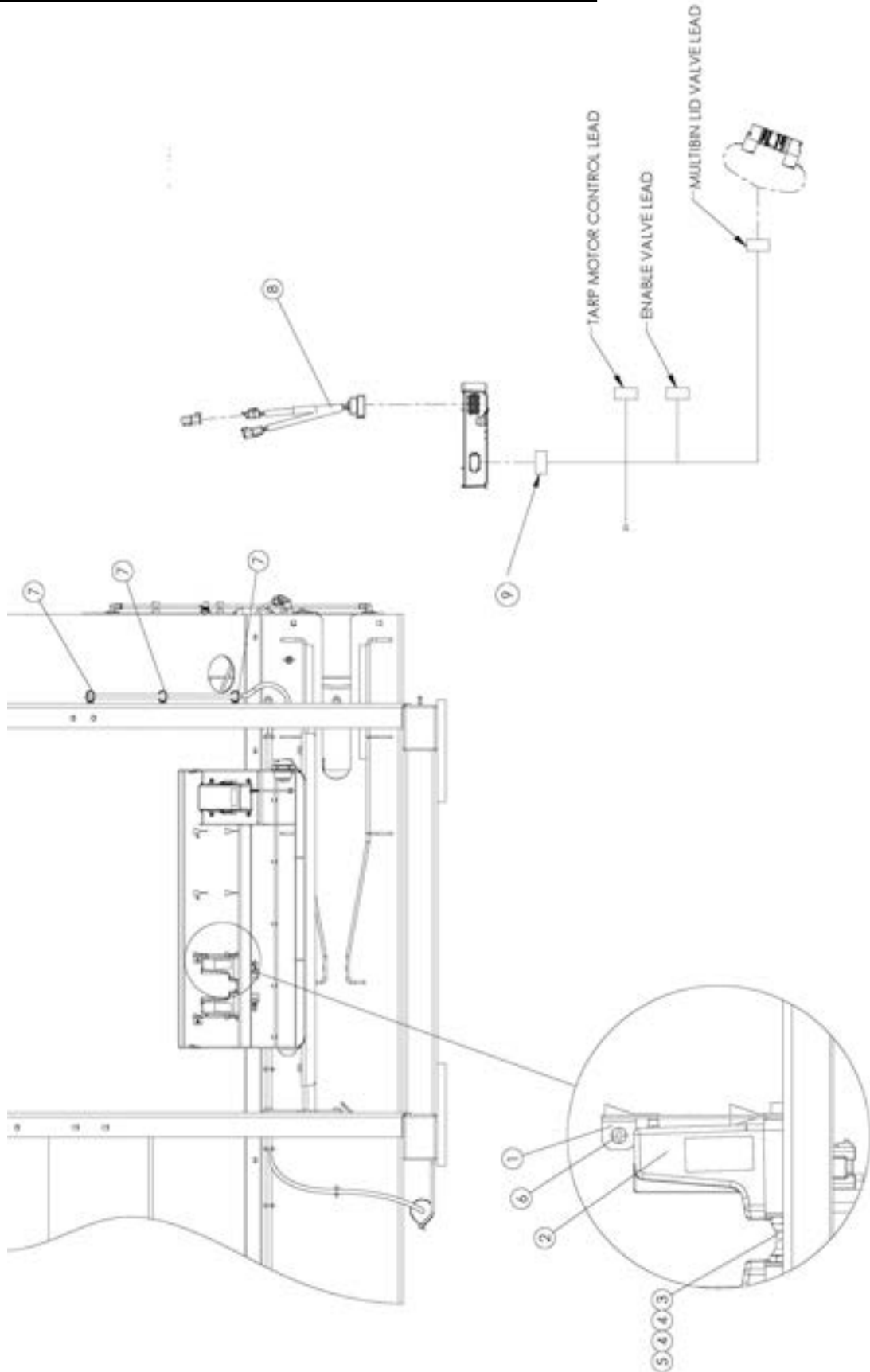


Enclosure Assembly

<u>ITEM</u>	<u>PART NO.</u>	<u>DESCRIPTION</u>	<u>QTY</u>
	311841	Enclosure - Assy 304, Includes Items 1 - 15	1
1	310722	Enclosure - Weldment Controller 304	1
2	310724	Cover - Weldment 304	1
3	310740	Post - Power Distribution	2
4	44483	Screw - Panhead #10-24 x 3/4 SS	6
5	310739	Harness - New Leader ECU Enclosure	1
6	310732	Pin - Lynch .188 x 1.25 SS	2
7	310733	Screw - Panhead #10-32 x 1/2 SS	4
8	308085	Ferrule - .185 x .734	4
9	311731	Cable - 12 Coated SS	2
10	56355	Nut - Lock #10-24 SS	2
11	311068	Plug - Terminating Local CAN	1
12	311070	Harness - ISOBUS Active Termination, Includes Item 14	1
13	311069	Circuit - Terminating Bias ISO CAN	1
14	312448	Harness - ISOBUS Diagnostic Tee	1

Electronics

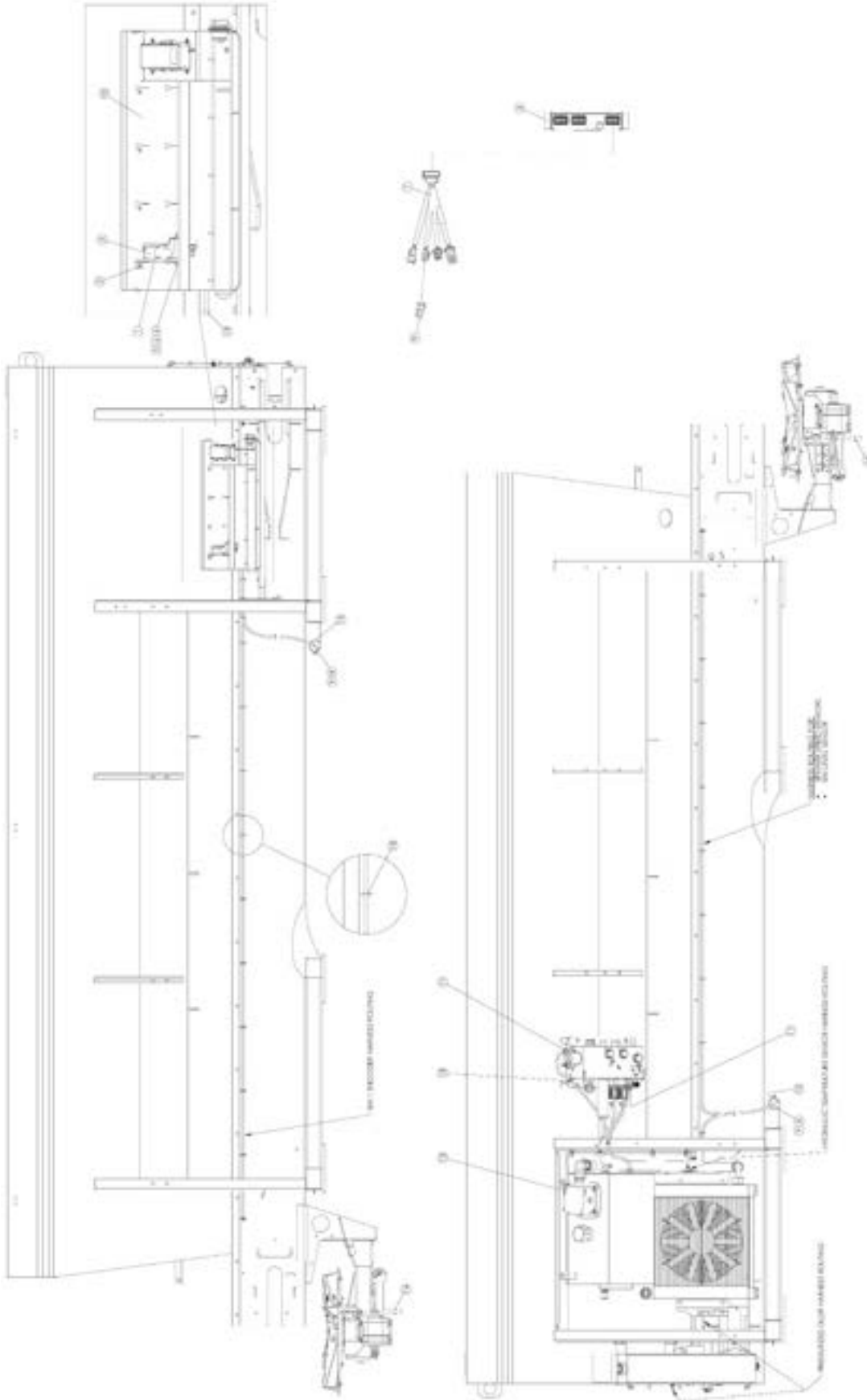
Controller - Body



Controller - Body

<u>ITEM</u>	<u>PART NO.</u>	<u>DESCRIPTION</u>	<u>QTY</u>
	316588	Module - Group Body	
1	310718	Bracket - Module 304	1
2	310736	Module - Body Control	1
3	36296	Capscrew - .3846 X 2.75 SS	2
4	36425	Washer - Flat .375 SS	4
5	307395	Nut - Lock Thin .375-16nc SS	2
6	44483	Screw - Round Head #10-24nc X	1
7	311806	Tie - Wire Fir Tree	3
8	311060	Harness - Local Can Breakout	1
9	316136	Harness - Body Control W/Enable	1

Controller - Main Bin

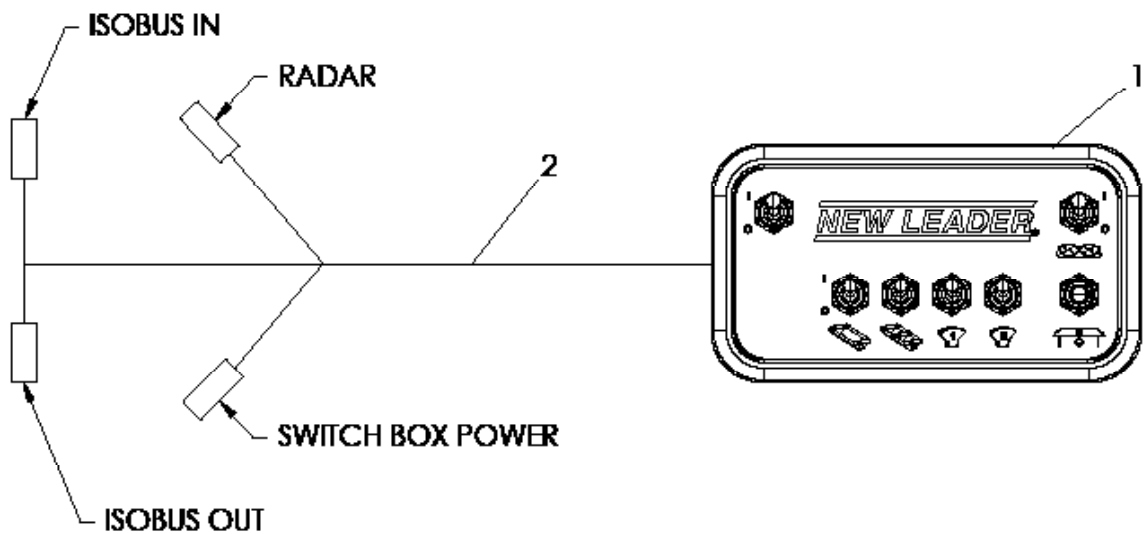


Controller - Main Bin

<u>ITEM</u>	<u>PART NO.</u>	<u>DESCRIPTION</u>	<u>QTY</u>
1	310718	Bracket - Module 304	1
2	44483	Screw - Round Head #10-24nc X	1
3	310734	Module - Master Control	1
4	36296	Capscrew - .3846 X 2.75 SS	2
5	36425	Washer - Flat .375 SS	4
6	307395	Nut - Lock Thin .375-16nc SS	2
7	310754	Harness - Isobus Breakout	1
8	316947	Harness - Master Control 11'-12'	1
	316948	Harness - Master Control 13'-14'	1
	316949	Harness - Master Control 15'-16'	1
9	311067	Receptacle - Terminating Local	1
10	311841	Enclosure - Assy	1
11	311074	Transducer - Pressure	2
12	311845	Sensor - Group Hyd Tank	1
13	311806	Tie - Wire Fir Tree	44
14	311846	Sensor - Group Dual Spinner	1
15	99674	Strap - Zip Tie 8 Black	10

Electronics

Switch Box & Harness

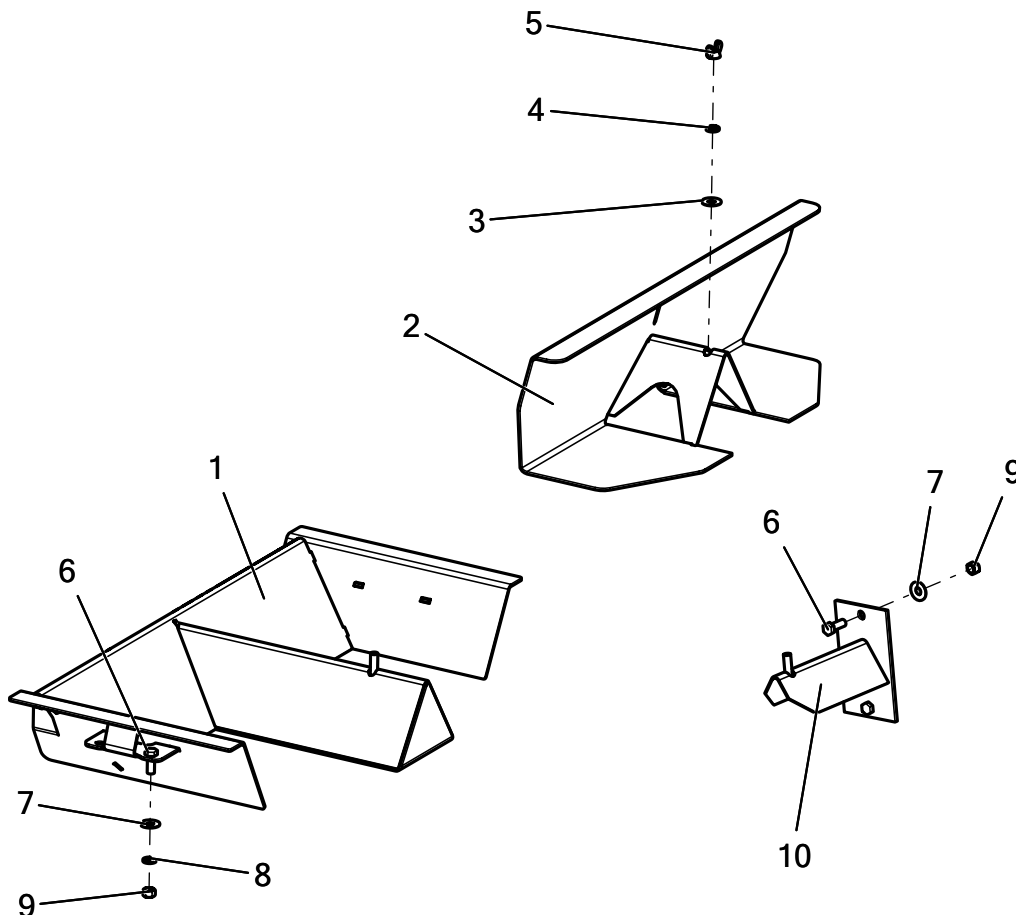


<u>ITEM</u>	<u>PART NO.</u>	<u>DESCRIPTION</u>	<u>QTY</u>
1	310742	Switch Box - NL G5	1
2	310743	Harness - ISO AUX Console	1

This page is intentionally left blank.

Spinner

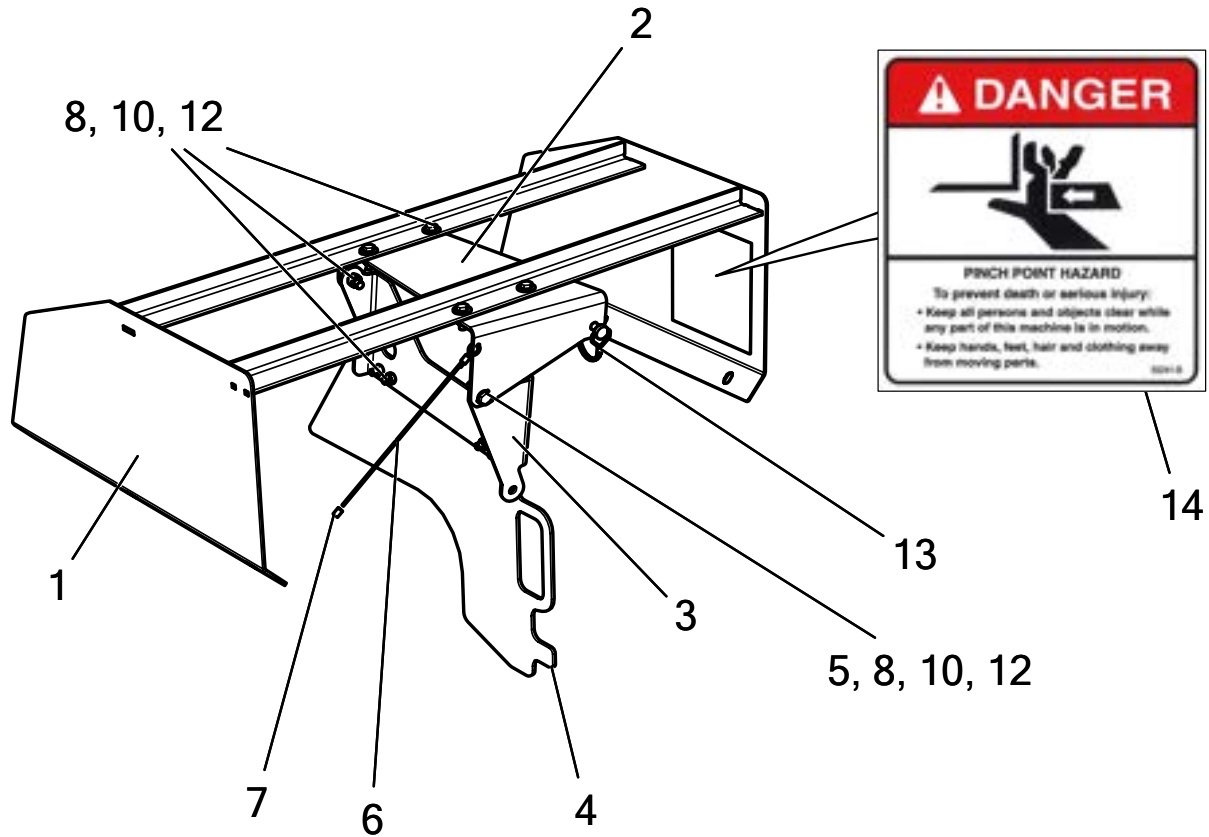
Spinner - Material Divider



ITEM	PART NO.	DESCRIPTION	QTY
	311640	Divider – Material Assy 304	
1	311641	Divider – Wldmt 304	1
2	311648	Deflector – Rear Wldmt 304	1
3	36425	Washer – Flat 3/8 SS	1
4	36420	Washer – Lock 3/8 SS	1
5	20673	Nut – Wing 3/8 SS	1
6	36398	Cap Screw – 3/8 x 1 SS	4
7	36425	Washer - Flat 3/8 SS	4
8	36420	Washer – Lock 3/8 SS	2
9	36414	Nut – Hex 3/8 SS	4
10	87381*	Mount – Divider Wldmt	1

*Item 10 mounts on unit to hold Item 2 when not in use.

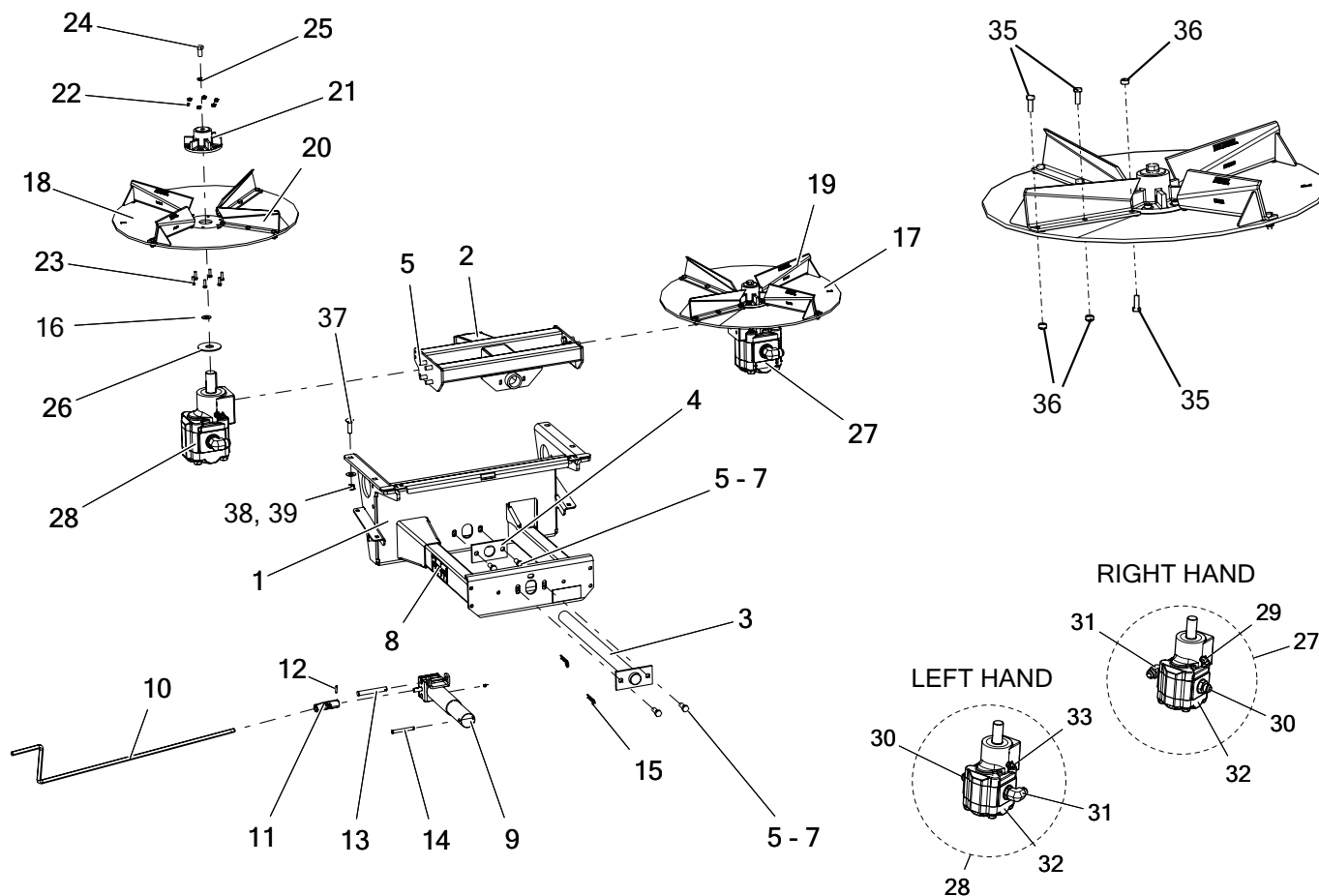
Hillside Divider



ITEM	PART NO.	DESCRIPTION	QTY
	311720	Divider - Hillside Assy 304	
1	311721	Support - Wldmt	1
2	311725	Bracket - Upper	1
3	311728	Bracket - Lower	1
4	311729	Panel - Divider	1
5	311730	Bushing - Pivot	2
6	311731	Cable 12" Coated SS	feet 1
7	308085	Ferrule	2
8	34580	Cap Screw - 5/16-18NC x 1 SS	8
9	36399	Cap Screw - 3/8-16NC x 1-1/4 SS	2
10	42221	Nut - Lock 5/16-18NC SS	8
11	72054	Nut - Lock 3/8-16NC SS	2
12	36424	Washer - Flat 5/16 SS	8
13	311732	Pin - Lock	1
14	55241	Decal - Danger, Pinch Point Hazard	1

Spinner

Spinner Assembly



ITEM	PART NO.	DESCRIPTION	QTY
	311804	24" Spinner Assy 1/4" Disc, Includes Items 1-39	
	311454	24" Spinner Assy, Includes Items 1-38	
	87105	Disc - Assy RH, Includes Items 17, 19, 21 - 23, 34, 35	
	87106	Disc - Assy LH, Includes Items 18, 20 - 23	
	87105-X2	Disc - Assy RH 1/4", Includes: 32,34-37, 39-40	
	87106-X2	Disc - Assy LH 1/4", Includes: 33-36, 38-40	
1	311388	Frame - Spinner Wldmt	1
2	311424	Mount - Motor Wldmt	1
3	87021	Shaft - Support Wldmt	1
4	87023	Plate - Shaft Mount	1
5	36402	Cap Screw - 1/2-13 NC x 1-1/4	12

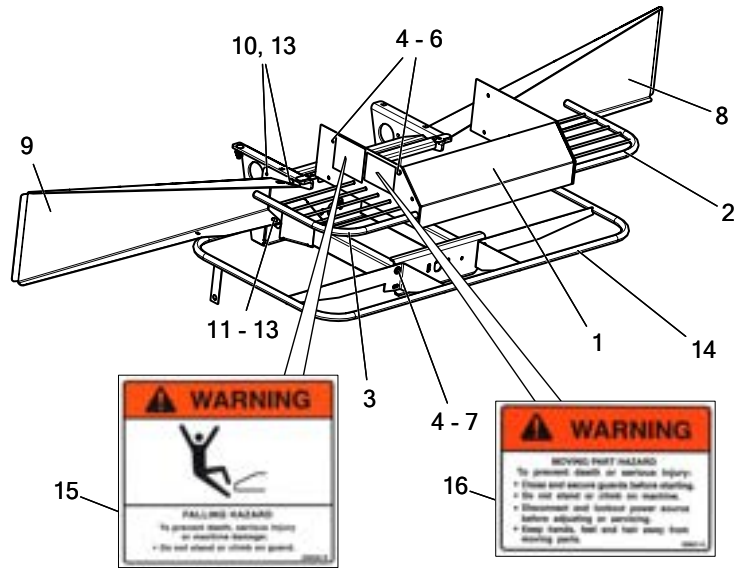
Spinner Assembly


<u>ITEM</u>	<u>PART NO.</u>	<u>DESCRIPTION</u>	<u>QTY</u>
6	36426	Washer - Flat 1/2	4
7	39016	Nut - Lock 1/2-13 NC	5
8	87110	Scale - Spinner Position	1
9	312994	Jack - Assy 13.38 304	1
10	311719	Handle	1
11	85002	U-Joint	1
12	312268	Pin - Roll SS	2
13	311425	Pin - Jack	1
14	6547	Pin - Clevis	1
15	36429	Pin - Hair	2
16	6072	Zerk - Grease	2
17	27056-X4	Disc - Spinner RH	1
	57830-X2	Disc - Spinner RH 1/4"	1
18	27056-X5	Disc - Spinner LH	1
	57830-X3	Disc - Spinner LH 1/4"	1
19	309091	Fin - Spinner RH Wldmt	1
20	309092	Fin - Spinner LH Wldmt	1
21	10877	Hub	2
22	20676	Nut - Lock 1/4-20 NC	12
23	20004	Cap Screw - 1/2-13 NC x 7/8	12
24	36401	Cap Screw - 1/2-13 NC x 1	2
25	36422	Washer - Lock 1/2	10
26	305571	Washer - Rubber	2
27	311456	Motor - Assy RH Style II, Includes Items 29 - 32	1
28	311455	Motor - Assy LH Style II, Includes Items 30 - 33	1
29	34764	Fitting - 6-4 070302	1
30	29835	Fitting - 12-16 070120	AR
31	29829	Fitting - 12-16 070220	AR
32	313512	Motor - Spinner 3.51 CID Style II	2
33	34763	Fitting - 6-4 070102	1
34	20034	Cap Screw - 5/16-18 NC x 3/4	24
	30035	Cap Screw - 5/16-18 NC x 7/8 - For 1/4" Discs Only	24

Spinner**Spinner Assembly**

<u>ITEM</u>	<u>PART NO.</u>	<u>DESCRIPTION</u>	<u>QTY</u>
35	20677	Nut - Lock 5/16-18 NC	24
36	311799	Bolt - Carriage 1/2-13 NC x 2	4
37	36426	Washer - Flat 1/2	4
38	39016	Nut - Lock 1/2-13 NC SS	4
39	56397-X1	Washer - 9/16 x 1-1/8 OD x 14 ga - For 1/4" Discs Only	2

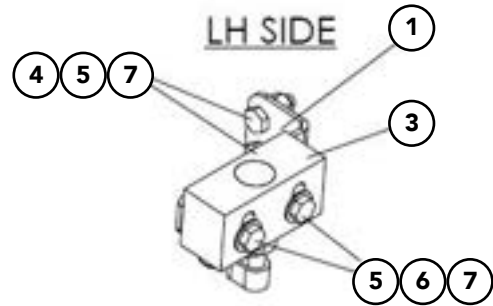
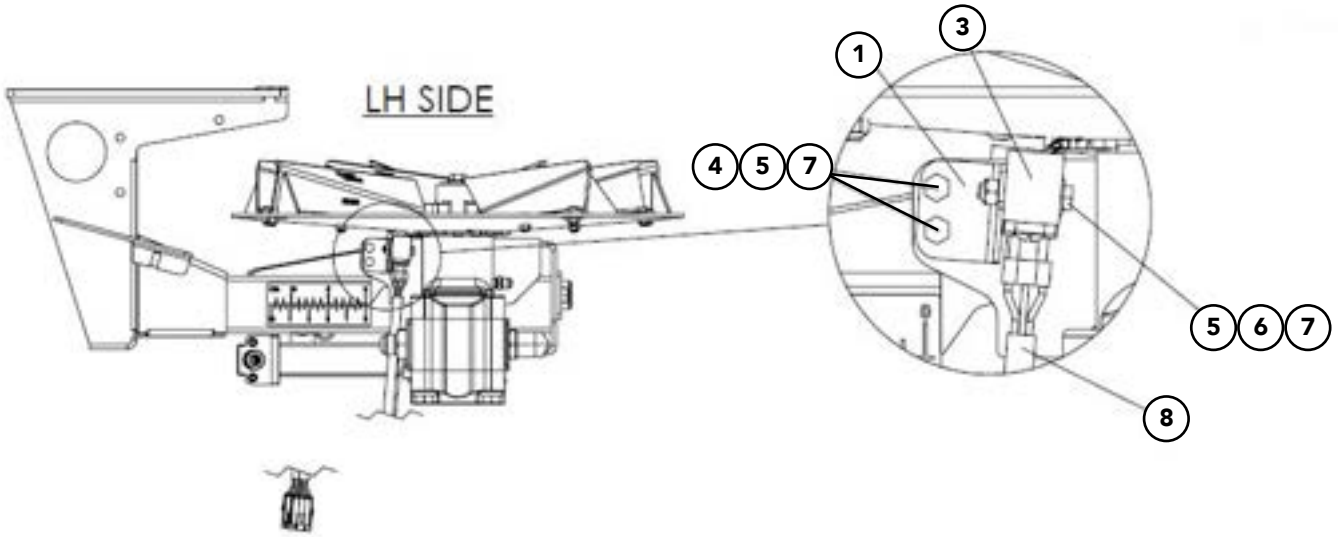
Spinner Guards & Deflectors



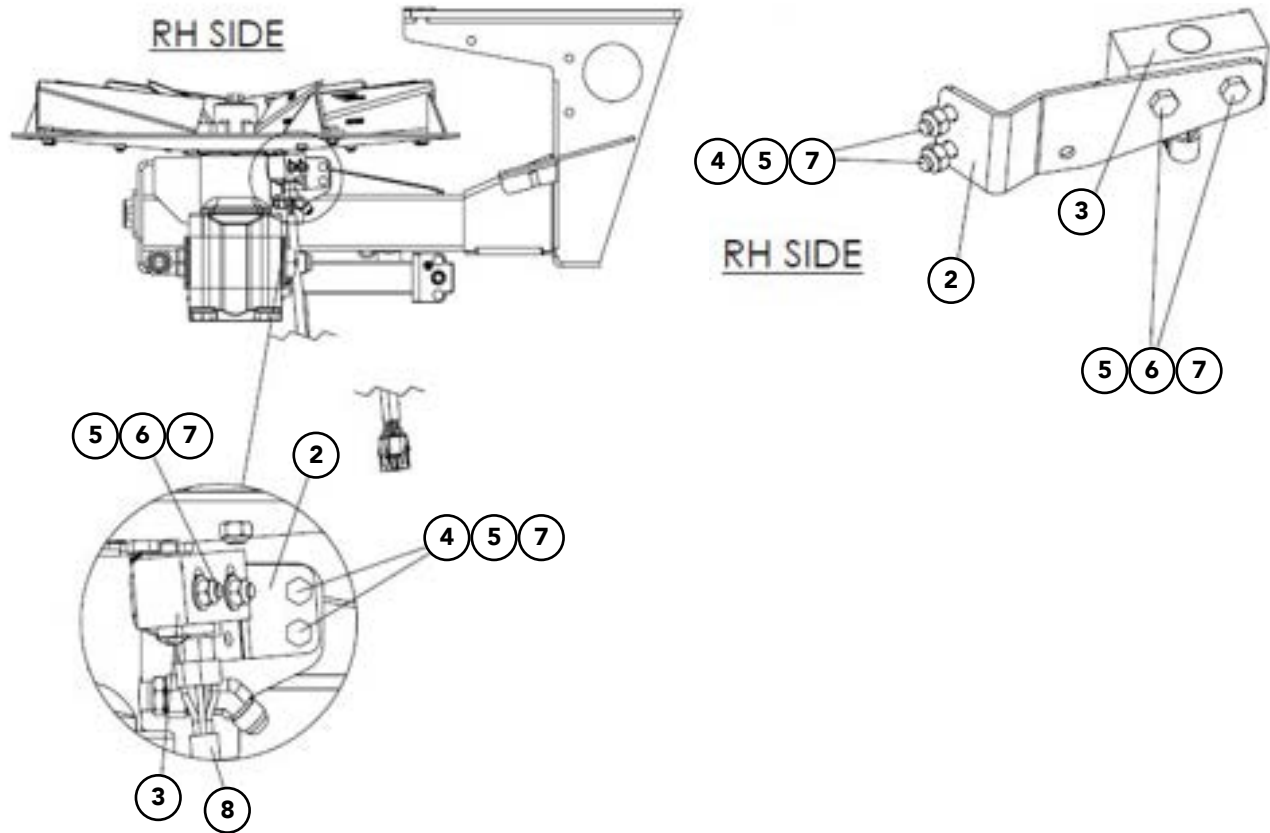
 **WARNING** Guards are intended to reduce hazard of entanglement with machinery and injury. All guards must be installed per this drawing before spreader is put into operation.

ITEM	PART NO.	DESCRIPTION	QTY
	311802	Kit - Hardware SS, Includes Items 4 - 7	1
	311803	Kit - Hardware, Includes Items 10- 13	1
1	311756	Guard – Center Section Assy 304	1
	305712	Guard – Center Section Assy 304, SMV	1
2	87027-X1	Guard – RH Wldmt 304	1
3	87031-X1	Guard – LH Wldmt 304	1
4	36398	Cap Screw - 3/8-16NC x 1 SS	14
5	36420	Washer – Lock 3/8 SS	14
6	36414	Nut - Hex 3/8-16NC SS	14
7	36425	Washer - Flat 3/8 SS	4
8	311341	Deflector - Wldmt RH	1
9	311340	Deflector - Wldmt LH	1
10	36399	Cap Screw - 3/8-16NC x 1-1/4 SS	6
11	36408	Bolt - Carriage 3/8-16NC x 1 SS	2
12	36425	Washer - Flat 3/8 SS	2
13	72054	Nut - Lock 3/8-16NC SS	8
14	311337	Guard - Lower Wldmt 304	1
15	55630	Decal - Warning, Falling Hazard	2
16	55631	Decal - Warning, Moving Part Hazard	2

Spinner Speed Sensors

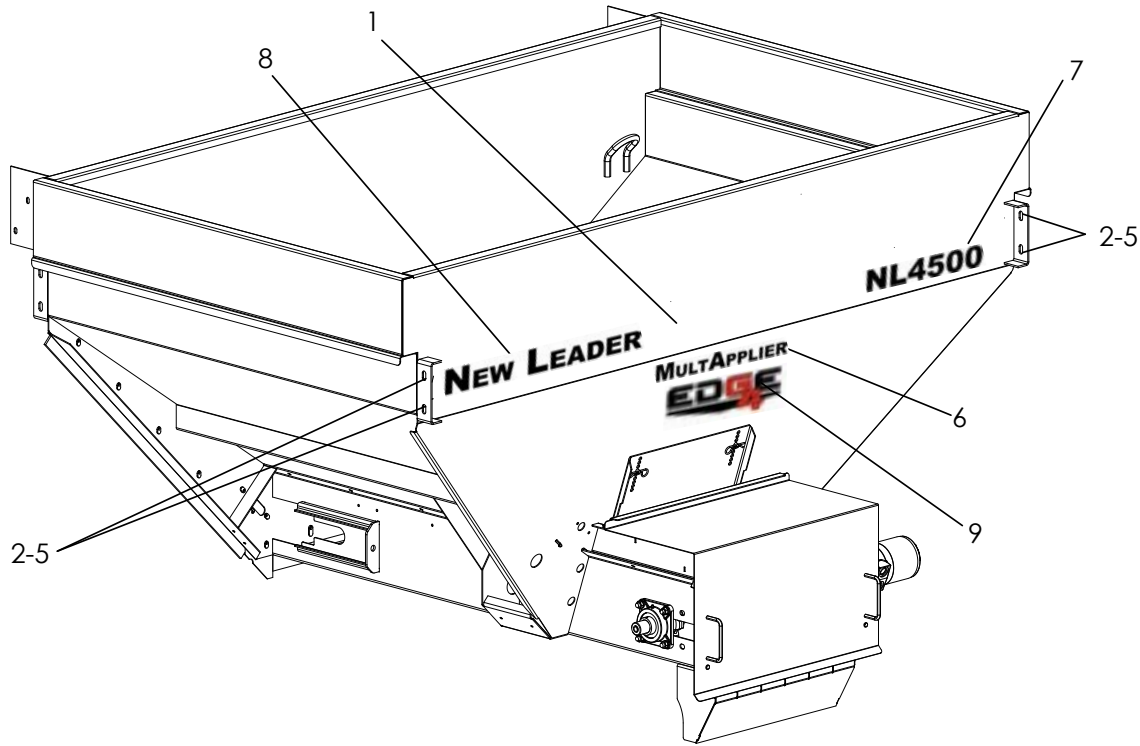


Spinner Speed Sensors



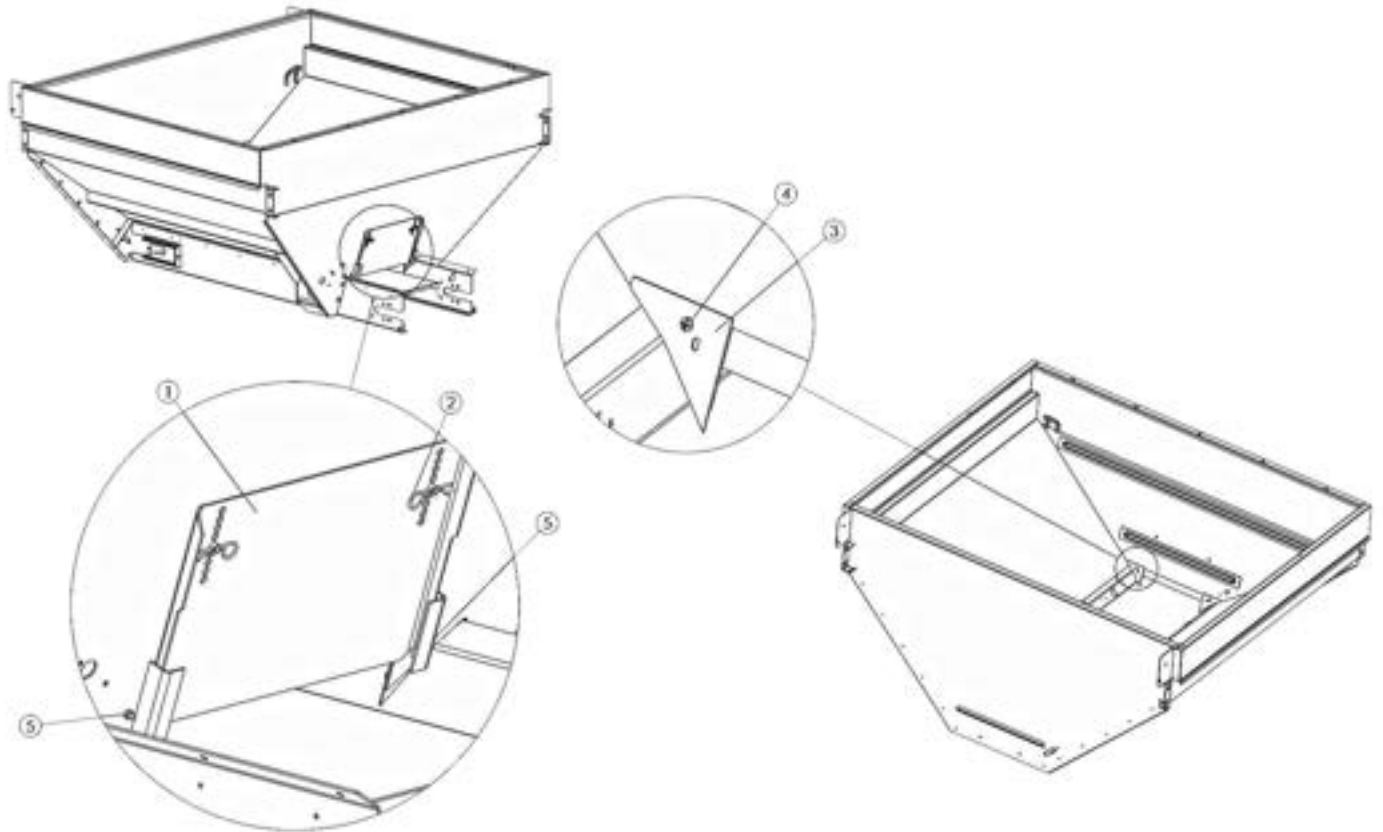
<u>ITEM</u>	<u>PART NO.</u>	<u>DESCRIPTION</u>	<u>QTY</u>
1	311852	Bracket - Speed Sensor LH 304	1
2	318023	Bracket - Speed Sensor RH 304	1
3	316586	Sensor - Assy w/ Block	2
4	36394	Capscrew - .25-20NC X .875 SS	4
5	42448	Capscrew - .25-20NC X 1.5 SS	4
6	36423	Washer - Flat 1/4 SS	4
7	42034	Nut - Lock 1/4-20NC SS	8
8	318007	Harness - Ext	2

Body



<u>ITEM</u>	<u>PART NO.</u>	<u>DESCRIPTION</u>	<u>QTY</u>
	86951	Hardware Kit, Includes 2-5	
1	311457	MultApplier - Shell Insert 5'	1
	311680	MultApplier - Shell Insert 7'	1
2	20128-X1	Cap Screw - 1/2-13NC x 1-1/4 GRD 8	4
3	20695	Washer - Flat 1/2 ZN	8
4	20714	Washer - Lock 1/2 ZN	4
5	20646	Nut - Hex 1/2-13NC ZN	4
6	312591	Decal - MultApplier, Black	1
7	312563	Decal - NL4500, Black	1
8	312561	Decal - New Leader, Black	1
9	311757	Decal - G4 Edge, Black/Red	1

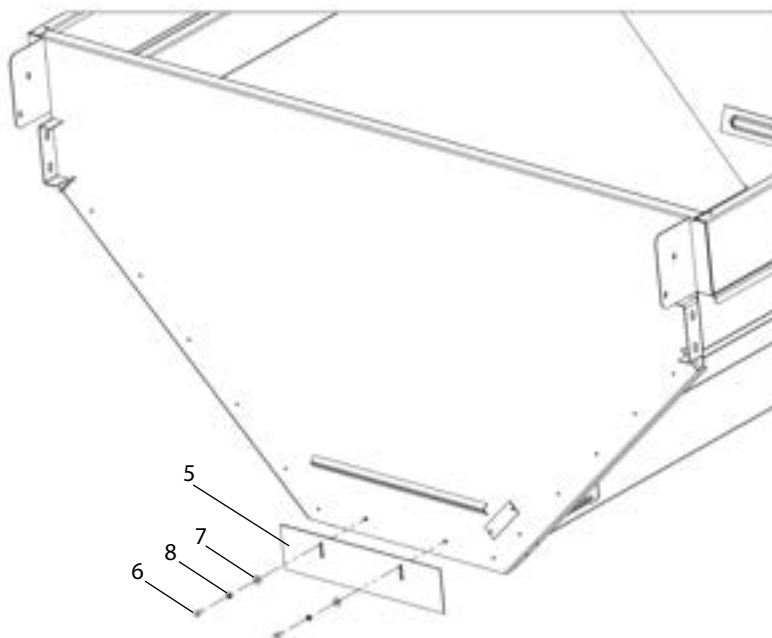
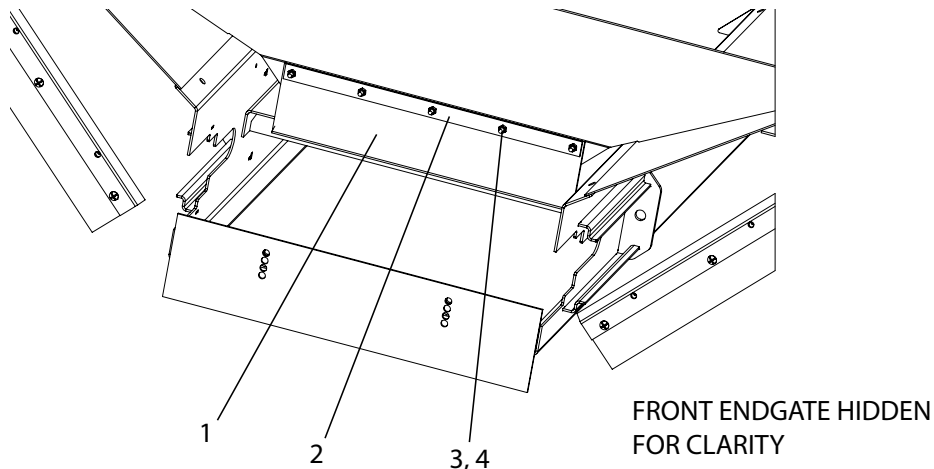
Rear Feedgate



ITEM	PART NO.	DESCRIPTION	QTY
1	306579	Feedgate - 304	1
2	36429	Pin - Hair .148 x 2.688 SS	2
3	306558	Sealer - Feedgate Bolt-In 304	2
4	32446	Screw - Truss Head .25-20NC X	2
5	42034	Nut - Lock .25-20NC SS	2

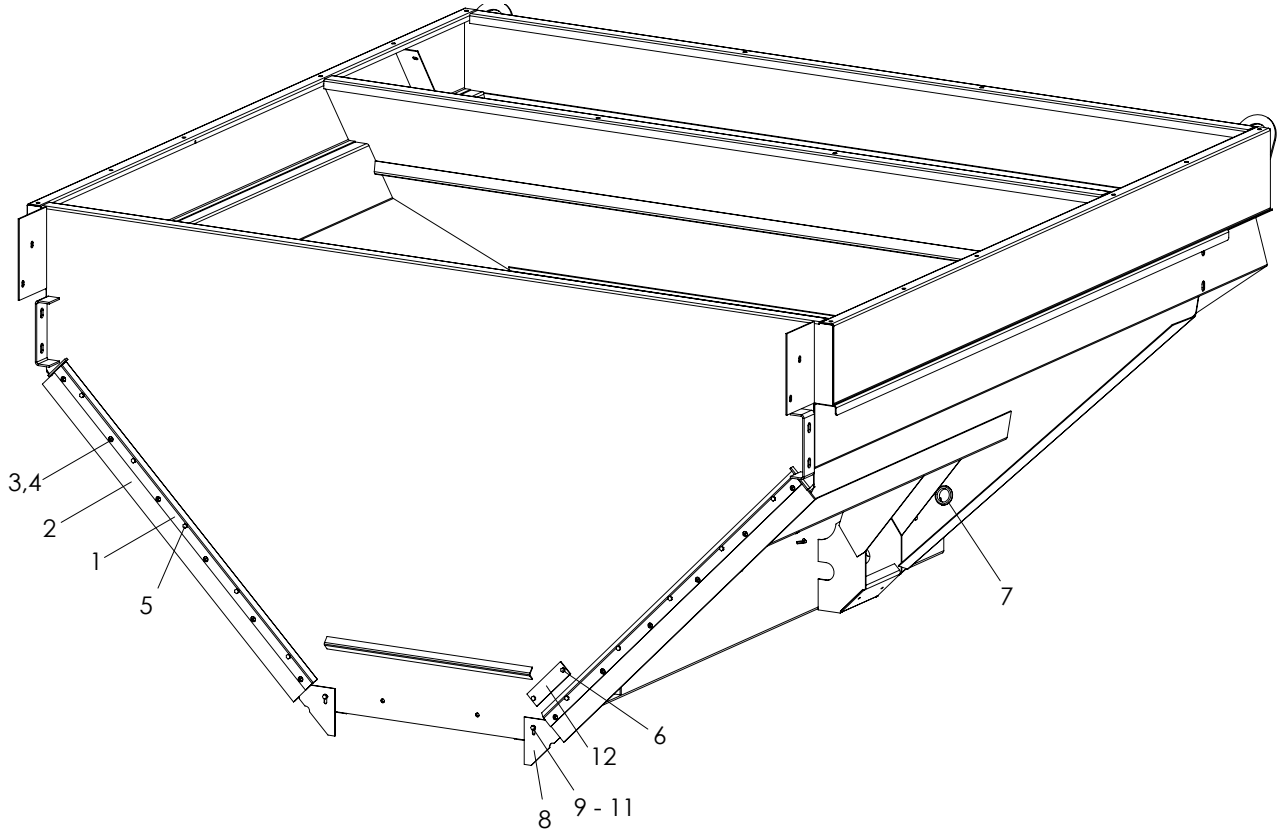
MultApplier

Front Feedgate & Wiper



<u>ITEM</u>	<u>PART NO.</u>	<u>DESCRIPTION</u>	<u>QTY</u>
1	39426	Wiper – Belt Front	1
2	54230	Retainer – Wiper	1
3	42033	Screw – Machine 1/4-20NC x 1	5
4	36412	Nut – Hex 1/4-20NC	5
5	306583	Feedgate - 304	1
6	36293	Cap Screw - 3/8-16NC x 3/4 SS	2
7	36425	Washer - Flat 3/8 SS	2
8	36420	Washer - Lock 3/8 SS	2

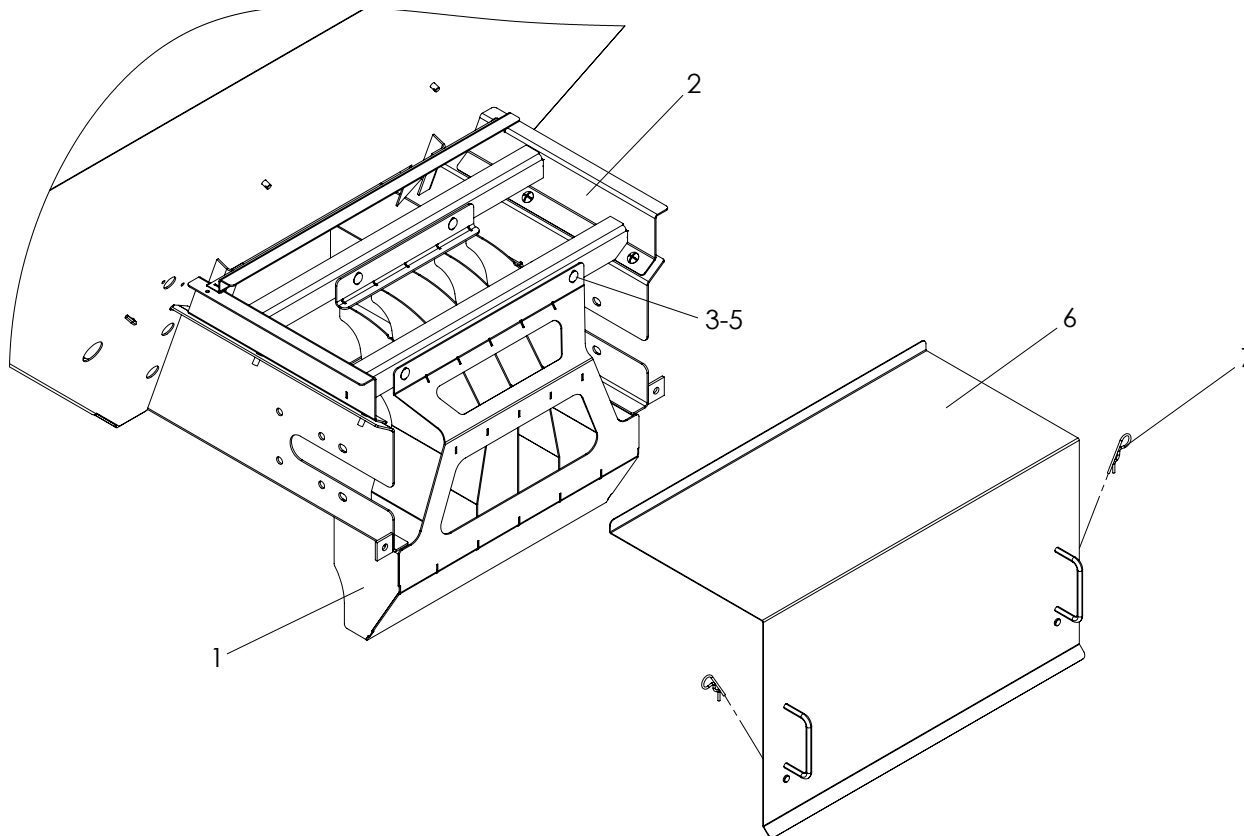
Sealer



<u>ITEM</u>	<u>PART NO.</u>	<u>DESCRIPTION</u>	<u>QTY</u>
	306637	Seal - Assy, Includes 1-4	
1	306581	Retainer - Seal 304	2
2	306582	Seal - 3 x 1/4 x 45	2
3	56258	Screw - Truss Head 1/4-20NC x 1/2 SS	12
4	88931	Nut - Tee 1/4 x 1/4	12
5	36395	Cap Screw - 1/4-20NC x 1 SS	10
6	36393	Cap Screw - 1/4-20NC x 3/4 SS	2
7	34129	Grommet - Rubber	1
8	306707	Sealer - Endgate Bolt-In 304	2
9	36418	Washer - Lock 1/4 SS	2
10	40750	Cap Screw - 1/4-20NC x 1-1/4 SS	2
11	36423	Washer - Flat 1/4 SS	2
12	307125	Plate - Bin Sensor 304	1

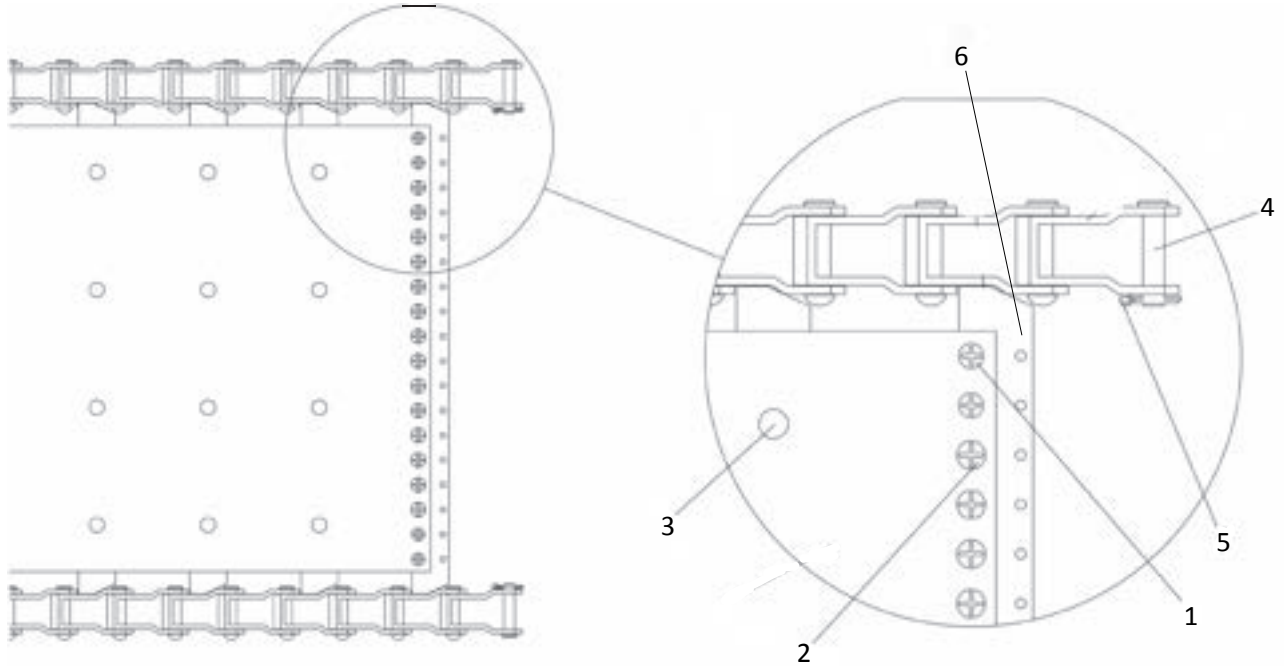
MultApplier

Hillside Divider & Cover



<u>ITEM</u>	<u>PART NO.</u>	<u>DESCRIPTION</u>	<u>QTY</u>
1	311428	Hillside Divider Wldmt 304	1
2	311438	Support - Hillside Divider Wldmt 304	1
3	36408	Bolt - Carriage 3/8-16NC x 1 SS	4
4	36425	Washer - Flat 3/8 SS	4
5	72054	Nut - Lock 3/8-16NC SS	4
6	311444	Cover - Wldmt Rear 304	1
7	36429	Pin - Hair	2

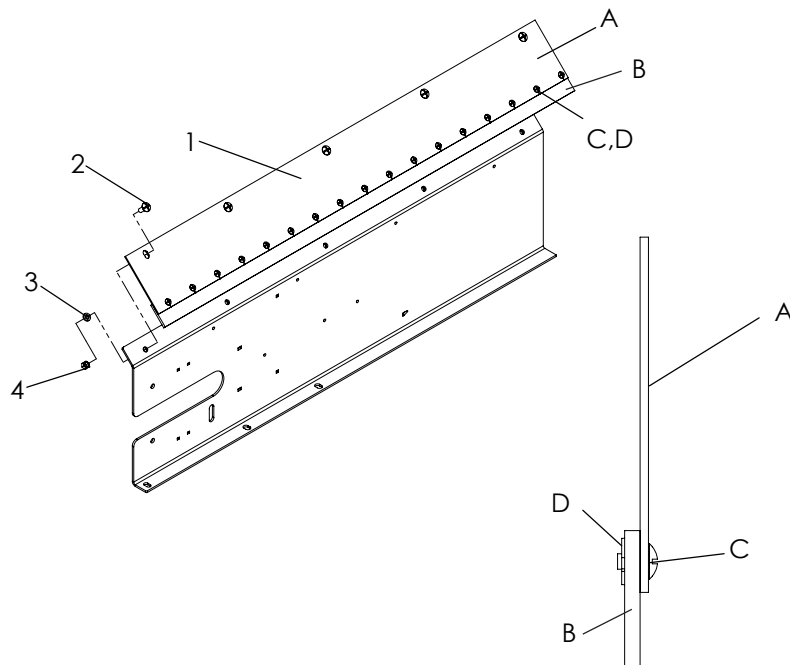
#4 Belt-Over-chain Conveyor



<u>ITEM</u>	<u>PART NO.</u>	<u>DESCRIPTION</u>	<u>QTY</u>
	308712-AA	Chain Wldmt - 5', Includes Items 1 - 6	1
	308712-AC	Chain Wldmt - 7', Includes Items 1 - 6	1
1	20617	Screw - Flat 1/4-20NC x 1/2	8
2	20624	Screw - Truss Head 1/4-20NC x 1/2	28
3	308534	Screw - 1/4 x 1/2-20NC	AR
4	21118	Pin - Chain Pintle	2
5	20817	Pin - Cotter	2
6	70473	Bar - Splicer	1

MultApplier

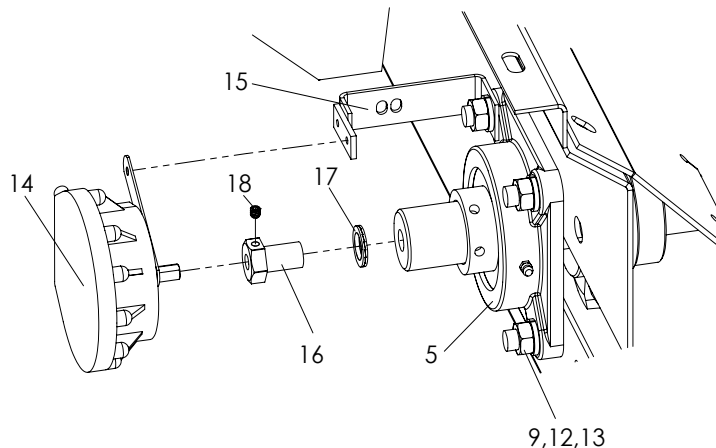
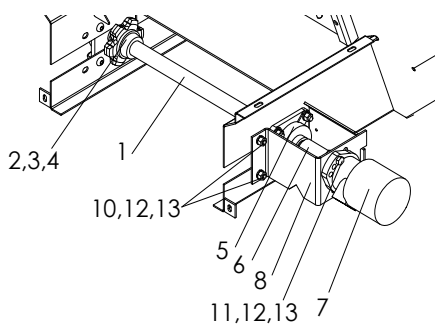
Chain Shields



ITEM	PART NO.	DESCRIPTION	QTY
1	86876	Shield – Chain Assy - 5' Unit	2
	303977	Shield – Chain Assy - 7' Unit	2
A	86798	Shield – Chain - 5' Unit	2
	303978	Shield – Chain - 7' Unit	2
B	305975	Belting – Sealer, specify length	AR
C	56258	Screw – Truss Head 1/4-20 x 1/2 - 5' Unit	46
	56258	Screw – Truss Head 1/4-20 x 1/2 - 7' Unit	62
D	88931	Nut – Tee 1/4 x 1/4 - 5' Unit	46
	88931	Nut – Tee 1/4 x 1/4 - 7' Unit	62
2	71829	Screw – Machine 3/8-16 x 1 SS - 5' Unit	14
	71829	Screw – Machine 3/8-16 x 1 SS - 7' Unit	16
3	36420	Washer – Lock 3/8 SS - 5' Unit	14
	36420	Washer – Lock 3/8 SS - 7' Unit	16
4	36414	Nut – Hex 3/8-16 SS - 5' Unit	14
	36414	Nut – Hex 3/8-16 SS - 7' Unit	16

AR – As Required

Conveyor Drive & Encoder

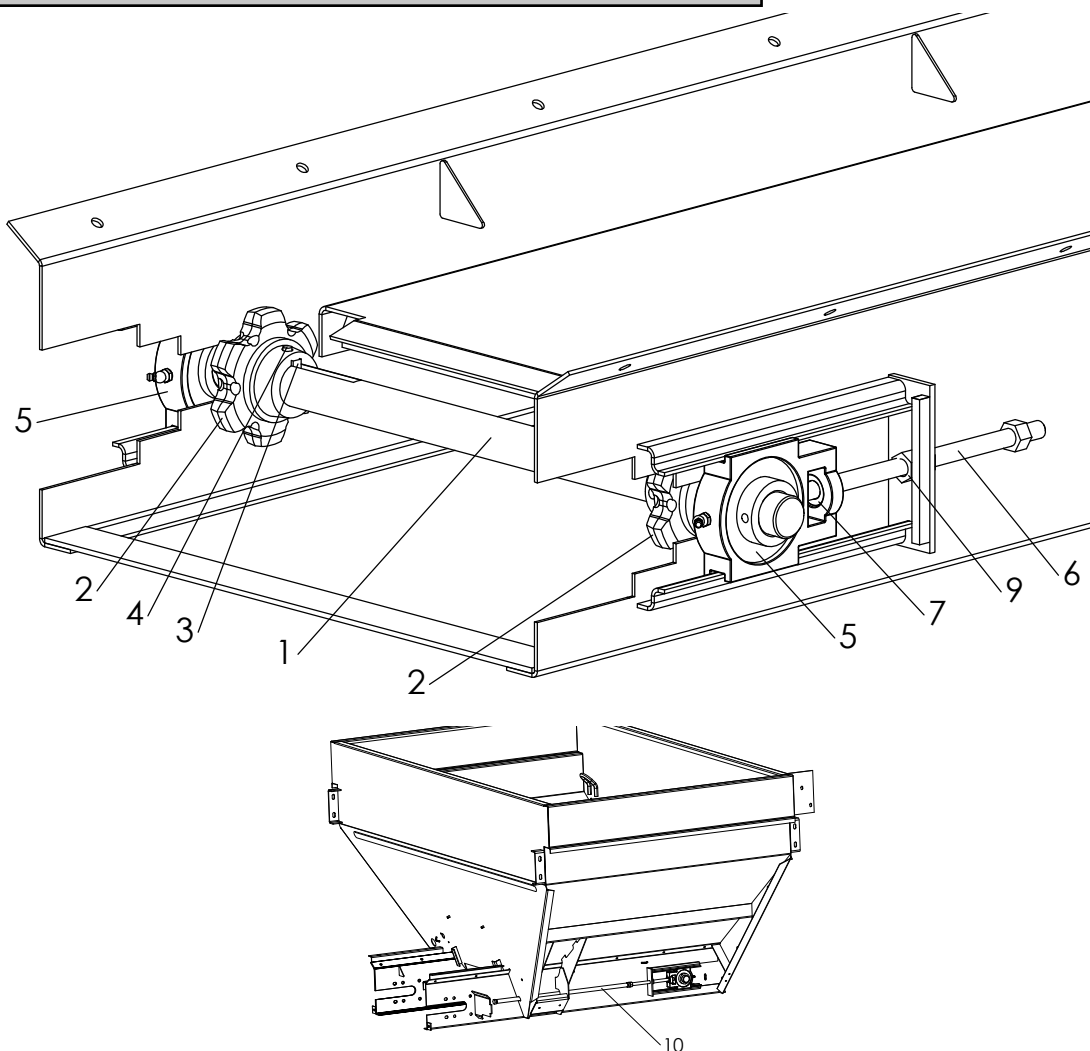


ITEM	PART NO.	DESCRIPTION	QTY
	86759-X1	Shaft - Drive Assy, Includes Items 1-5	
1	310644	Shaft - Drive	1
2	86757	Sprocket	2
3	6131	Key - Square	2
4	20743	Screw - Set	4
5	6697	Bearing	2
6	86762 * 4059	Coupling - Shaft Key - Square 5/16 x 1-1/2	1 1
7	311056 *56327	Motor - Hydraulic 17.1 CID Seal Kit	1 1
8	86766	Mount - Motor	1
9	304484	Screw - Button Head 1/2-13NC x 1-1/2 SS	8
10	72056	Bolt - Carriage 1/2-13NC x 1 SS	2
11	36539	Cap Screw - 1/2-13NC x 1-1/2 SS	2
12	36422	Washer - Lock 1/2 SS	12
13	36416	Nut - Hex 1/2 SS	12
14	303994	Encoder - Conveyor 180	1
15	304953- X1	Bracket - Encoder	1
16	310601	Coupler - Rate Sensor	1
17	310602	Washer - Special Lock	1
18	310603	Screw - Set 1/4-20NC x 5/16 SS	1

* - Not Shown

MultApplier

Idler



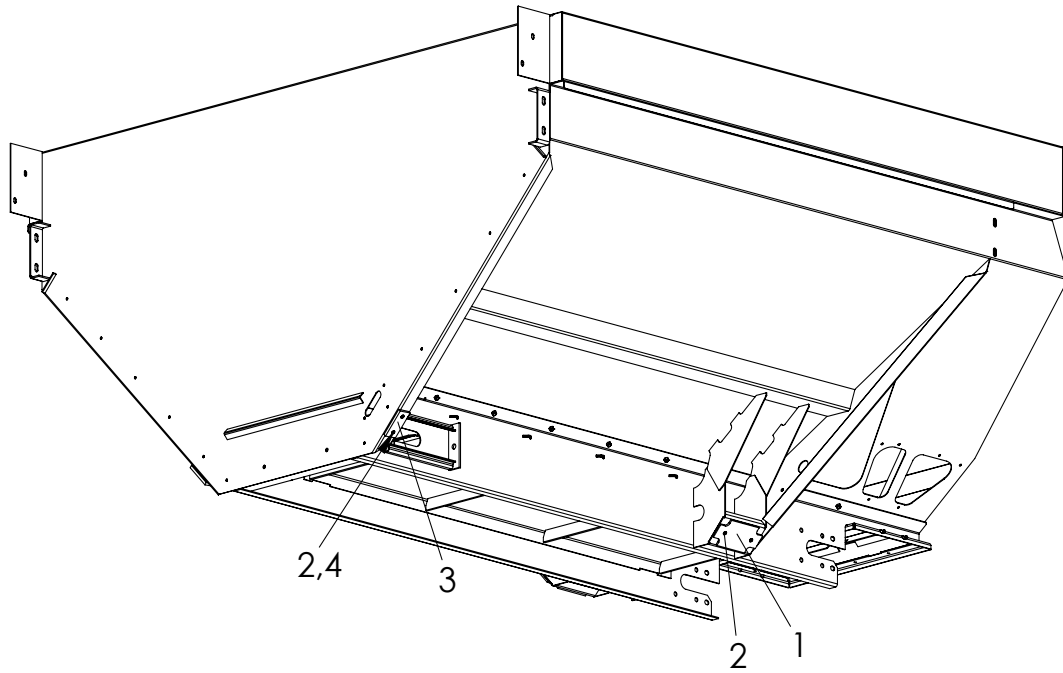
<u>ITEM</u>	<u>PART NO.</u>	<u>DESCRIPTION</u>	<u>QTY</u>
-------------	-----------------	--------------------	------------

1	89779	Shaft – Idler	1
2	86757	Sprocket	2
3	6131	Key – Square	2
4	20743	Screw – Set 5/16-18NC x 3/8	4
5	22511	Bearing	2
6	87857	Bolt Wldmt	2
7	17078	Collar – Set	2
8	* 36417	Nut – Hex 5/8 SS	2
9	87856	Nut Wldmt 304	2
10	306974	Extended Idler - Pipe Wldmt Adj 5' 304	2
	306595	Extended Idler - Pipe Wldmt Adj 7' 304	2

* - Not Shown

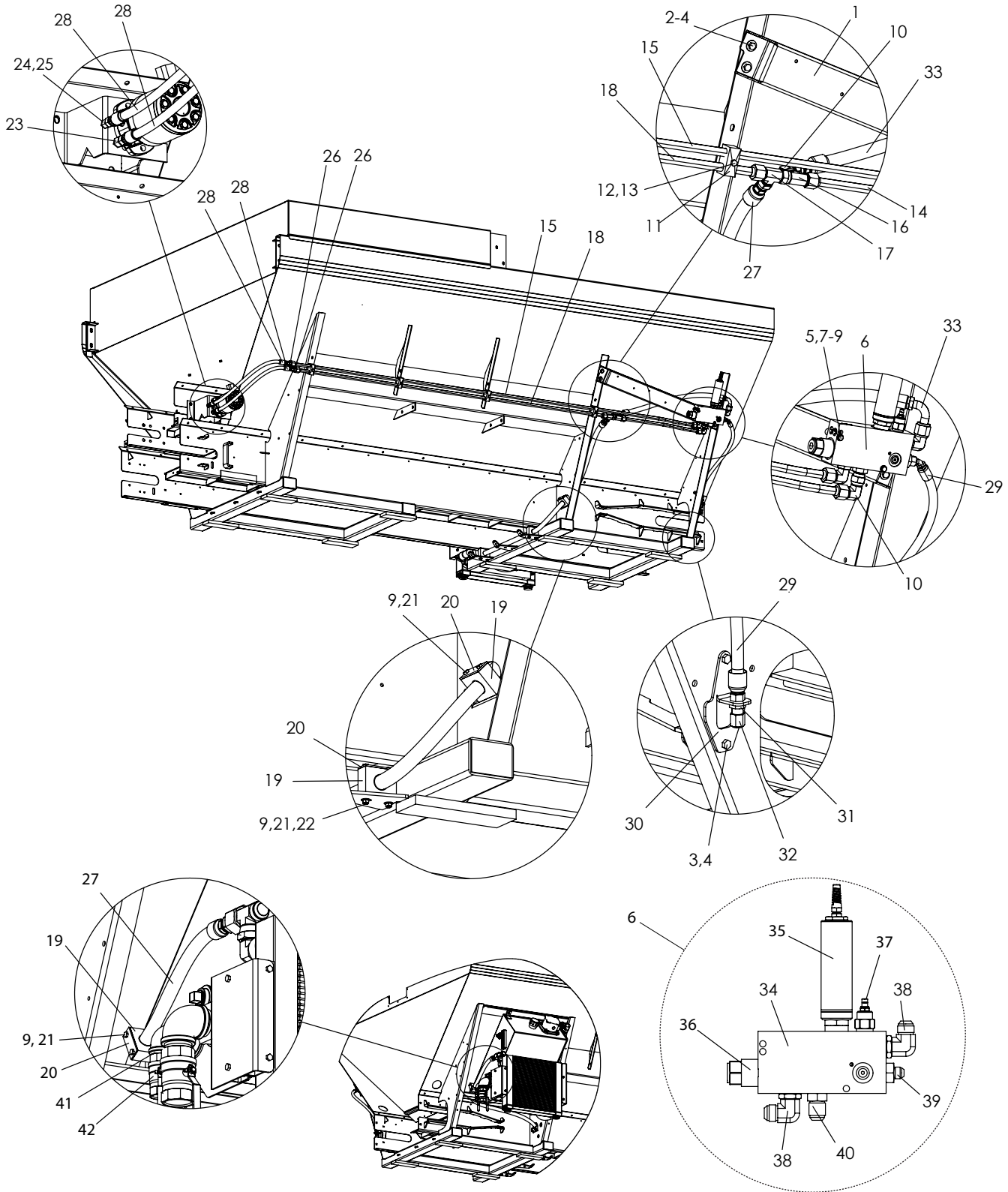
MultApplier Mounts

NL4500G4



<u>ITEM</u>	<u>PART NO.</u>	<u>DESCRIPTION</u>	<u>QTY</u>
1	306924	Mount - Foot Pad	2
2	47268	Screw - Flathead 1/4-20NC x 1 SS	8
3	307097	Mount - Pad	2
4	42034	Nut - Lock 1/4-20NC SS	4

Hydraulics



Hydraulics

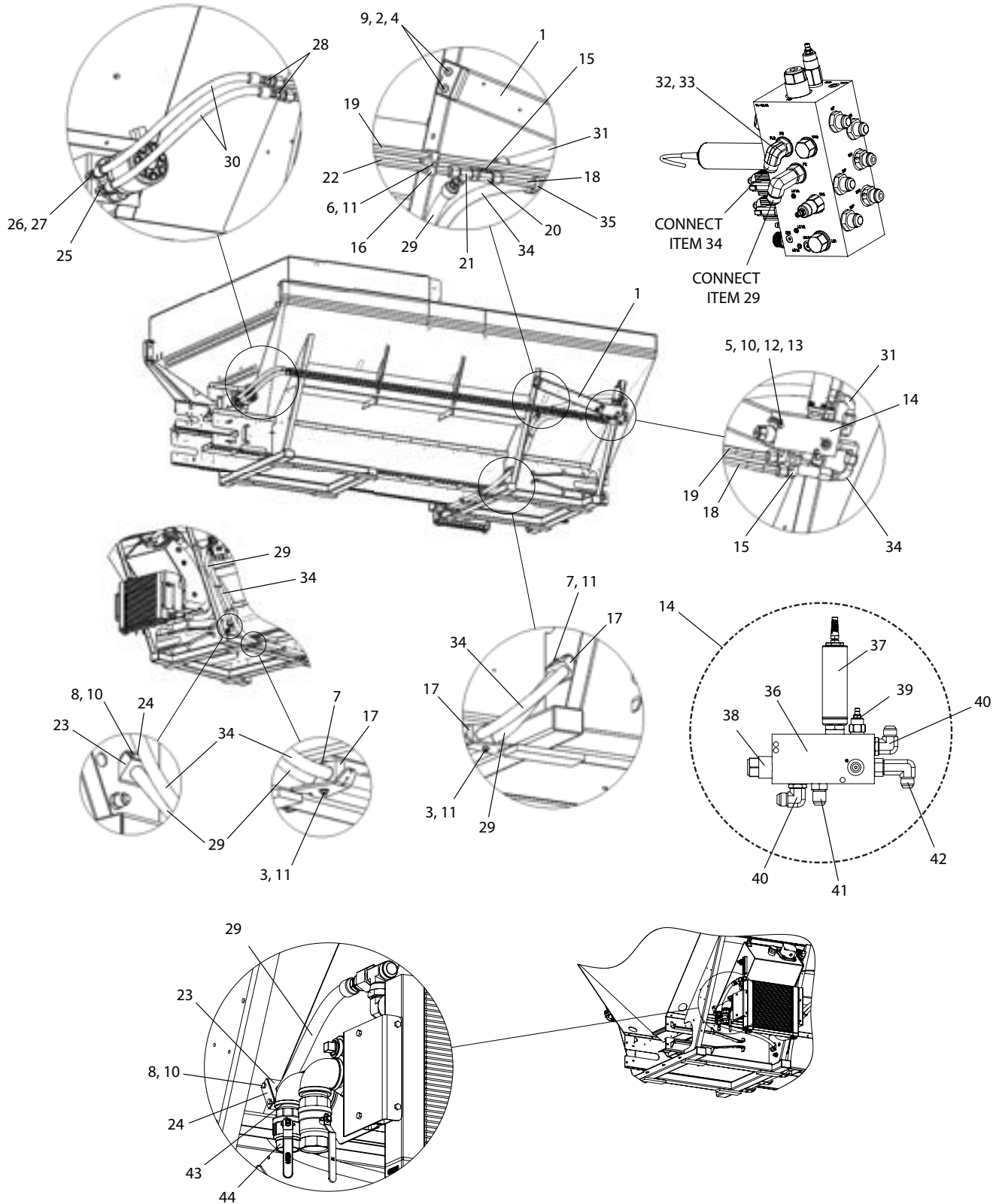
<u>ITEM</u>	<u>PART NO.</u>	<u>DESCRIPTION</u>	<u>QTY</u>
1	306638	Bracket - Valve Mounting	1
2	36425	Washer - Flat 3/8 SS	4
3	36398	Cap Screw - 3/8-16NC x 1 SS	6
4	72054	Nut - Lock 3/8-16NC SS	6
5	302098	Washer - Step 1/4ID x 13/32OD x 1/2 THK	2
6	311818	Valve - Assy 9GPM w/ Relief - includes 34-40	1
7	302097	Washer - Step 1/4ID x 13/32OD x 1/8 THK	2
8	56396	Cap Screw - 1/4-20NC x 3-1/4 SS	2
9	42034	Nut - Lock 1/4-20NC SS	12
10	34709	Fitting - 12-12 070221	2
11	75036	Clamp - Tubing Twin 3/4	4
12	71830	Cap Screw - 5/16-18NC x 2-1/2 SS	4
13	42221	Nut - Lock 5/16-18NC SS	4
14	311820	Tube - Assy 3/4 OD x 3/64 x 21-5/16 304	1
15	311864	Tube - Assy 3/4 OD x 3/64 x 118-5/16 304 12' Unit	1
	311865	Tube - Assy 3/4 OD x 3/64 x 130-5/16 304 13' Unit	1
	311819	Tube - Assy 3/4 OD x 3/64 x 142-5/16 304 14' Unit	1
	311866	Tube - Assy 3/4 OD x 3/64 x 154-5/16 304 15' Unit	1
	311867	Tube - Assy 3/4 OD x 3/64 x 166-5/16 304 16' Unit	1
16	29781	Fitting - 12-12-12 070432	1
17	29792	Fitting - 12-12-12 070401	1
18	311868	Tube - Assy 3/4 OD x 3/64 x 91-9/25 304 12' Unit	1
	311869	Tube - Assy 3/4 OD x 3/64 x 103-9/25 304 13' Unit	1
	311821	Tube - Assy 3/4 OD x 3/64 x 115-9/25 304 14' Unit	1
	311870	Tube - Assy 3/4 OD x 3/64 x 127-9/25 304 15' Unit	1
	311871	Tube - Assy 3/4 OD x 3/64 x 139-9/25 304 16' Unit	1
19	96926	Clamp - Pair 1-1/4 Tube	5
20	96925	Plate - Top 1-1/4 Tube	5
21	36396	Cap Screw - 1/4-20NC x 3 SS	10
22	36423	Washer - Flat 1/4 SS	4
23	306741	Fitting - 8-10 070220S 304	1
24	306740	Fitting - 8-10 070120S 304	1

MultApplier**Hydraulics**

<u>ITEM</u>	<u>PART NO.</u>	<u>DESCRIPTION</u>	<u>QTY</u>
25	306742	Fitting - 8-8 070221S 304	1
26	306743	Fitting - 12-8 070101S 304	2
27	311710	Hose - Assy 3/4 x 132-3/4 100R4	1
28	306691	Hose - Assy 1/2 x 30 100R1 SS	2
29	311822	Hose - Assy 1/2 x 30 100R1	1
30	311826	Plate - Hose	1
31	311752	Fitting - 8 070118	1
32	311754	Fitting - 9 070112	1
33	311823	Hose - Assy 3/4 x 31-5/8 100R4	1
34	311817	Valve - Flow Control 9 GPM w/ Relief, Includes Items 35 - 37	1
35	306277	Valve - Flow Control 9 GPM SFP	1
36	311817-AA	Valve - Compensator 25 GPM SFP	1
37	311817-AB	Valve - Relief	1
38	29874	Fitting - 12-12 070220	2
39	34842	Fitting - 8-12 070120	1
40	303226	Fitting - 12-12 070120 Special Length	1
41	6028	Nipple - Pipe 1-1/4 NPT x 1 5/8	1
42	305059	Valve - Ball 1-1/4 NPT	1

This page is intentionally left blank.

Hi Performance Hydraulics



Hi Performance Hydraulics

<u>ITEM</u>	<u>PART NO.</u>	<u>DESCRIPTION</u>	<u>QTY</u>
1	306638	Bracket - Valve Mtg. SFP	1
2	36425	Washer - Flat 3/8 SS	4
3	36424	Washer - Flat 5/16 SS	2
4	36398	Capscrew - 3/8-16 NC x 1 SS	4
5	56396	Capscrew - 1/4-20 NC x 3-1/4 SS	2
6	71830	Capscrew - 5/16-18 NC x 2-1/2 SS	AR
7	96258	Capscrew - 5/16-18 NC x 3 SS	3
8	36396	Capscrew - 1/4-20 NC x 3 SS	4
9	72054	Nut - Lock 3/8-16 NC SS	4
10	42034	Nut - Lock 1/4-20 NC SS	6
11	42221	Nut - Lock 5/16-18 NC SS	AR
12	302098	Washer - Step	2
13	302097	Washer - Step	2
14	312824	Valve - Assy 9 GPM SFP w/ Relief, Includes items 36-42	1
15	34709	Fitting - 12-12 070221	2
16	75036	Clamp - Tubing Twin 3/4	AR
17	305928	Clamp - Tubing Twin 1-1/4	3
18	311820	Tube - Assy 3/4 OD x .049 x 21-5/16 304	1
19	311865	Tube - Assy 3/4 OD x .049 x 130-5/16 304 13' Unit	1
	311819	Tube - Assy 3/4 OD x .049 x 142-5/16 304 14' Unit	1
	311866	Tube - Assy 3/4 OD x .049 x 154-5/16 304 15' Unit	1
	311867	Tube - Assy 3/4 OD x .049 x 166-5/16 304 16' Unit	1
20	29781	Fitting - 12-12-12 070432	1
21	29792	Fitting - 12-12-12 070401	1
22	311869	Tube - Assy 3/4 OD x .049 x 115-3/8 304 13' Unit	1
	311821	Tube - Assy 3/4 OD x .049 x 127-3/8 304 14' Unit	1
	311870	Tube - Assy 3/4 OD x .049 x 139-3/8 304 15' Unit	1
	311871	Tube - Assy 3/4 OD x .049 x 151-3/8 304 16' Unit	1
23	96926	Clamp Pair - 1-1/4 Tube	2
24	96925	Plate - Top 1-1/4 Tube	2
25	306741	Fitting - 8-10 070220S 304	1
26	306740	Fitting - 8-10 070120S 304	1
27	306742	Fitting - 8-8 070221S 304	1

MultApplier

Hi Performance Hydraulics

<u>ITEM</u>	<u>PART NO.</u>	<u>DESCRIPTION</u>	<u>QTY</u>
28	306743	Fitting - 12-8 070101S 304	2
29	311710	Hose - Assy 3/4 x 132-3/4 100R4	1
30	306691	Hose - Assy 1/2 x 30 SS 100R1	2
31	311823	Hose - Assy 3/4 x 31-5/8 100R4	1
32	29847	Fitting - 12-12 070220	1
33	312850	Plug - Pipe Internal	1
34	312816	Hose - Assy 3/4 x 147-1/2 100R1	1
35	310648	Tie - Dual Clamp	6
36	311817	Valve - Flow Control 9 GPM SFP w/ Relief, Includes Items 37 - 39	1
37	306277	Valve - Flow Control 9 GPM SFP	1
38	311817-AA	Valve - Compensator 25 GPM SFP	1
39	311817-AB	Valve - Relief	1
40	29847	Fitting - 12-12 070220	2
41	303226	Fitting - 12-12 Special	1
42	312825	Fitting - 12-12 071520	1
43	6028	Nipple - Pipe 1-1/4 NPT x 1-5/8	1
44	305059	Valve - Ball 1-1/4 NPT	1
45	**306771	Compound - Antiseize	AR

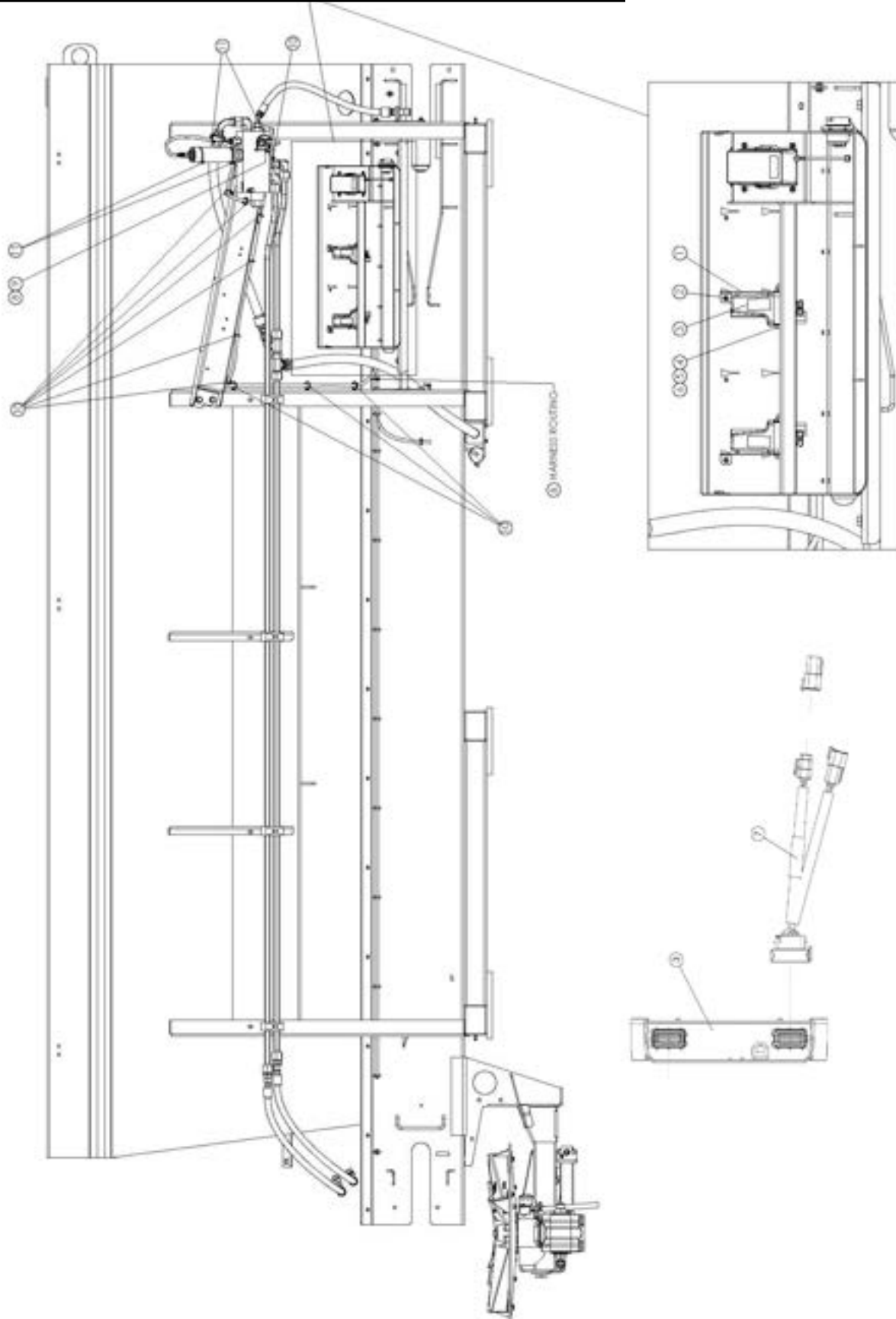
AR - As Required

** - Used on all stainless steel fittings

This page is intentionally left blank.

MultApplier

Controller - MultApplier



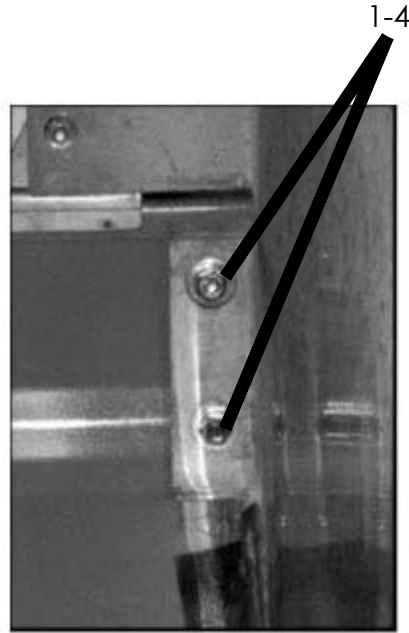
Controller - MultApplier

<u>ITEM</u>	<u>PART NO.</u>	<u>DESCRIPTION</u>	<u>QTY</u>
1	310718	Bracket - Module 304	1
2	44483	Screw - Round Head #10-24nc X .75 SS	1
3	310735	Module - Slave Control	1
4	36296	Capscrew - .3846 X 2.75 SS	2
5	36425	Washer - Flat .375 SS	4
6	307395	Nut - Lock Thin .375-16nc SS	2
7	311060	Harness - Local Can Breakout	1
8	316950	Harness - Bin 2 Control 11-12'	1
	316951	Harness - Bin 2 Control 13-14'	1
	316952	Harness - Bin 2 Control 15-16'	1
9	311074	Transducer - Pressure	1
10	311806	Tie - Wire Fir Tree	12
11	99674	Strap - Zip Tie 8 Black	4

Mounting Hardware



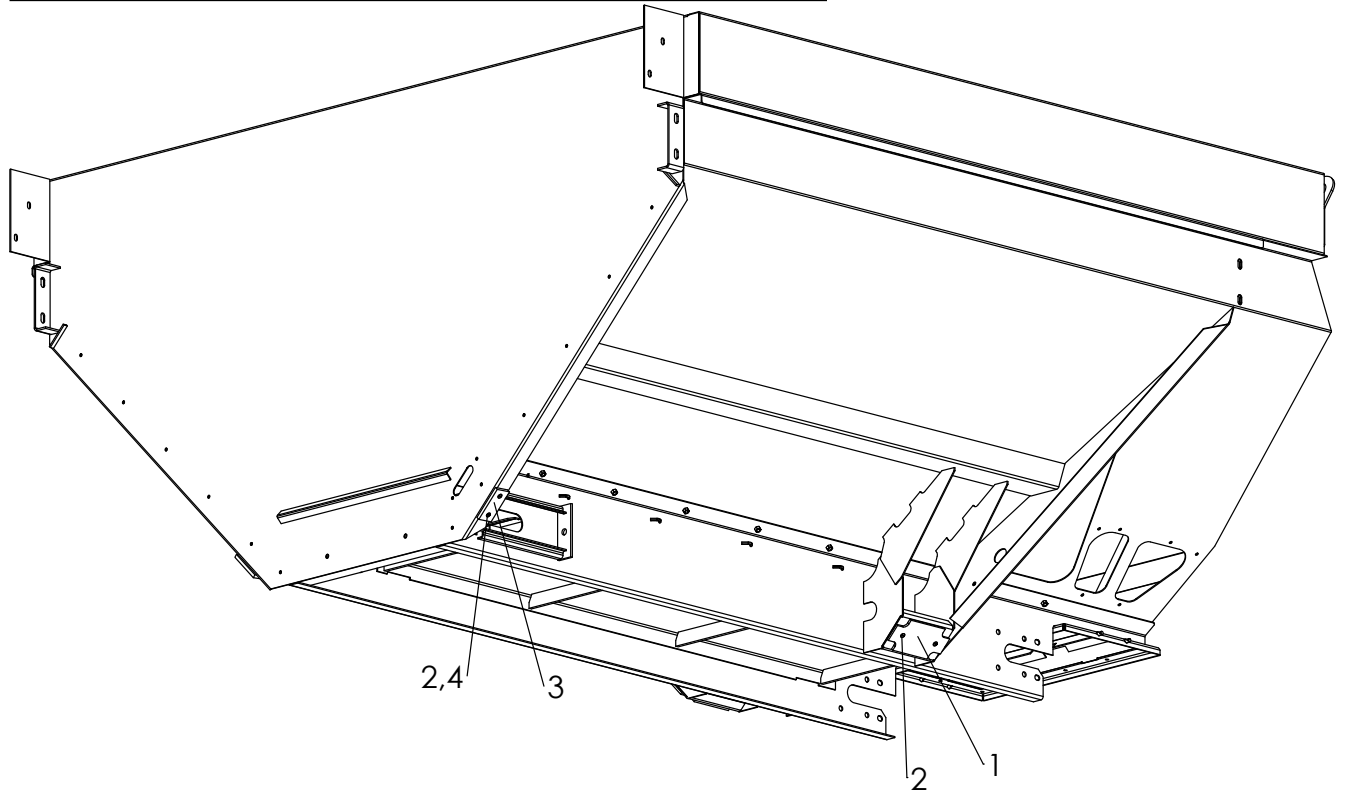
Outside Rear of Unit



Inside Front of MultiBin

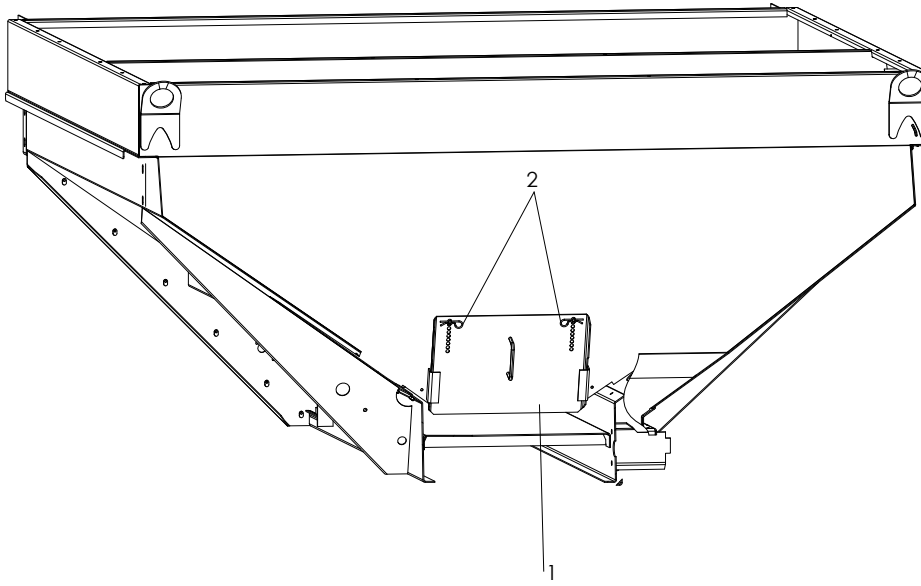
<u>ITEM</u>	<u>PART NO.</u>	<u>DESCRIPTION</u>	<u>QTY</u>
	307129	Hardware – Kit Mount	
1	20129-X1	Cap Screw – 1/2 x 1-1/2 Grade 8	8
2	20695	Washer – Flat 1/2	16
3	20714	Washer – Lock 1/2	8
4	20646	Nut – Hex 1/2	8

Mounting Pads



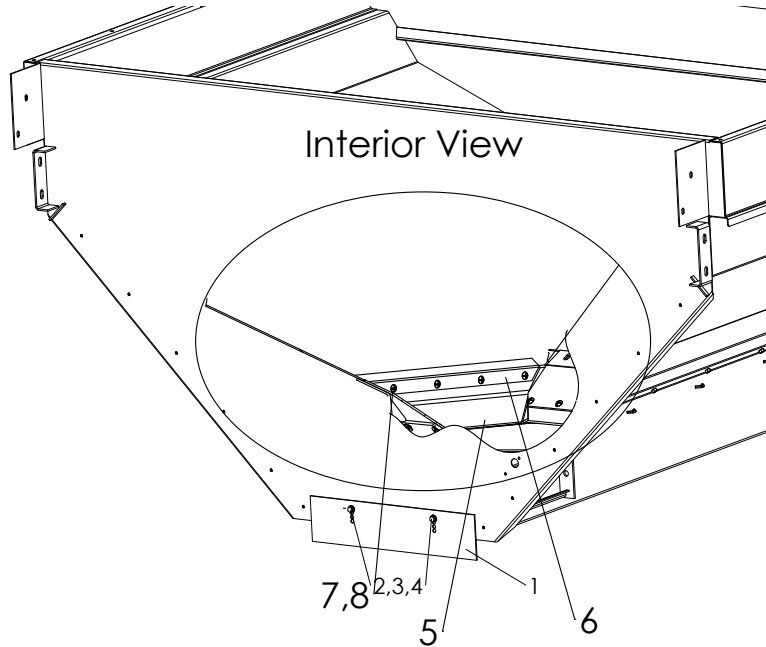
ITEM	PART NO.	DESCRIPTION	QTY
1	306924	Mount - Foot Pad	2
2	47268	Screw - Flathead 1/4-20 x 1 SS	8
3	307097	Mount - Pad	2
4	42034	Nut - Lock 1/4-20 SS	4

Feedgate



<u>ITEM</u>	<u>PART NO.</u>	<u>DESCRIPTION</u>	<u>QTY</u>
1	306578	Feedgate - Wldmt 304	1
2	36429	Pin - Hair	2

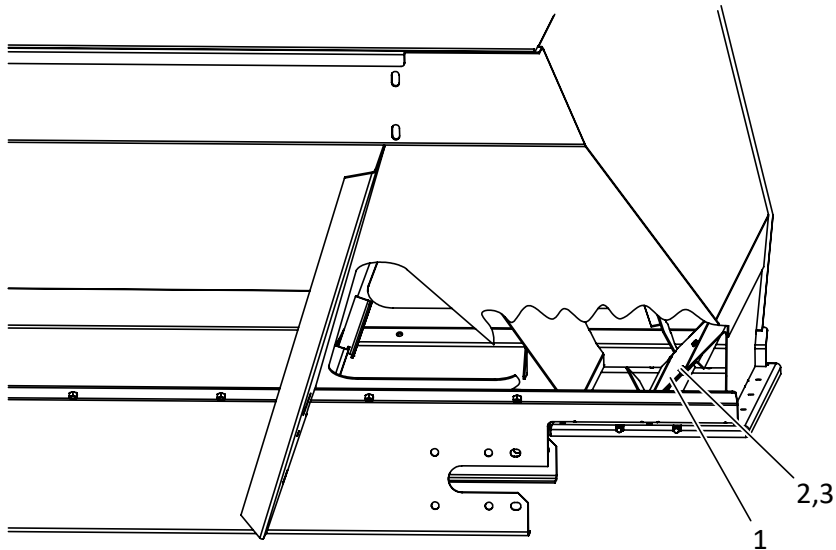
Front Feedgate & Wiper



<u>ITEM</u>	<u>PART NO.</u>	<u>DESCRIPTION</u>	<u>QTY</u>
1	306583	Feedgate 304	1
2	36293	Cap Screw - 3/8 x 3/4 SS	2
3	36425	Washer - Flat 3/8 SS	2
4	36420	Washer - Lock 3/8 SS	2
5	306545	Wiper - Belt Front	1
6	306546	Retainer - Wiper 304	1
7	42033	Screw - Truss Head 1/4 x 1 SS	5
8	36412	Nut - Hex 1/4 SS	5

Multibin

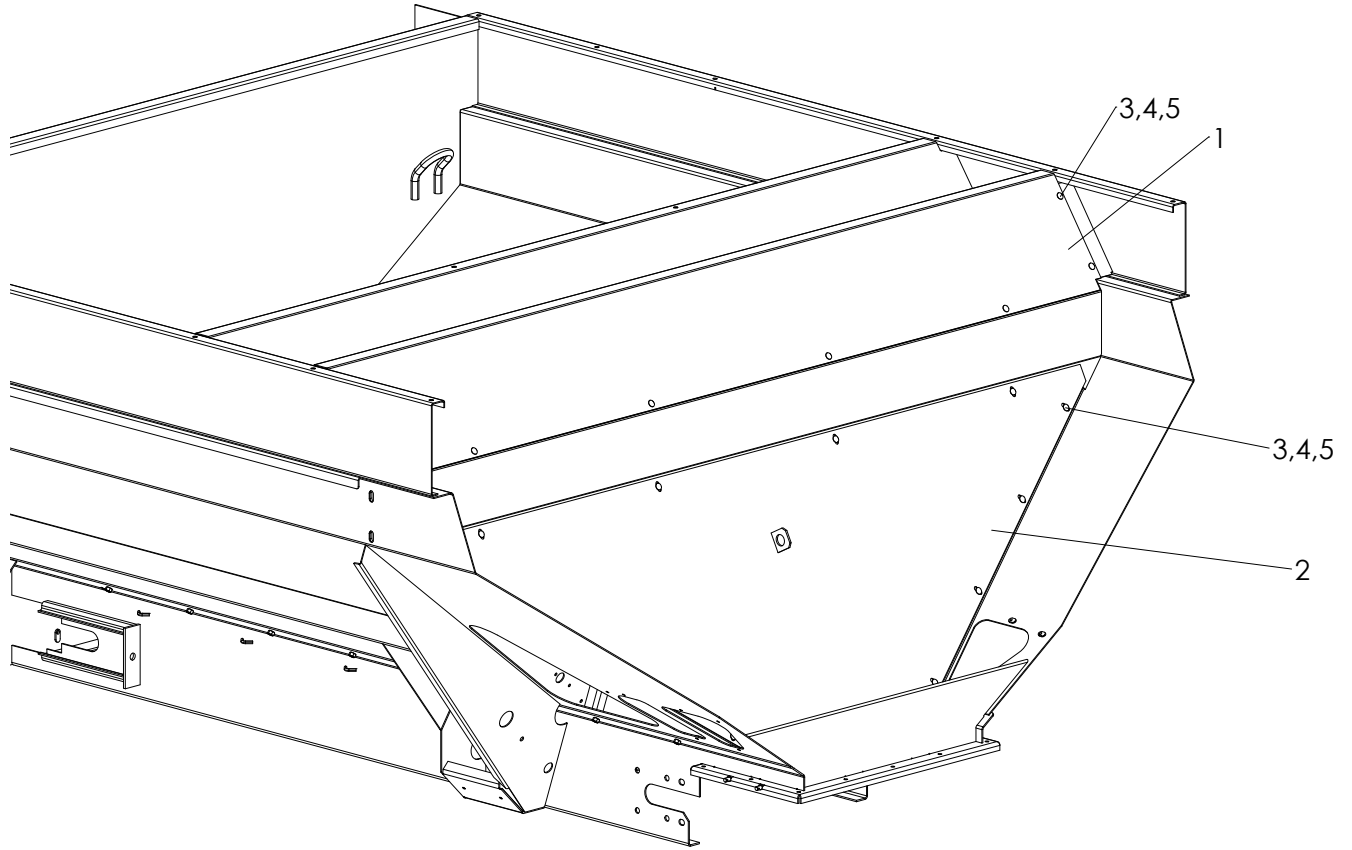
Panel - Single



* - Parts removed for clarity.

<u>ITEM</u>	<u>PART NO.</u>	<u>DESCRIPTION</u>	<u>QTY</u>
1	306532	Panel - Wldmt Rear 304	1
2	36393	Cap Screw - 1/4-20 x 3/4 SS	3
3	36418	Washer - Lock	3

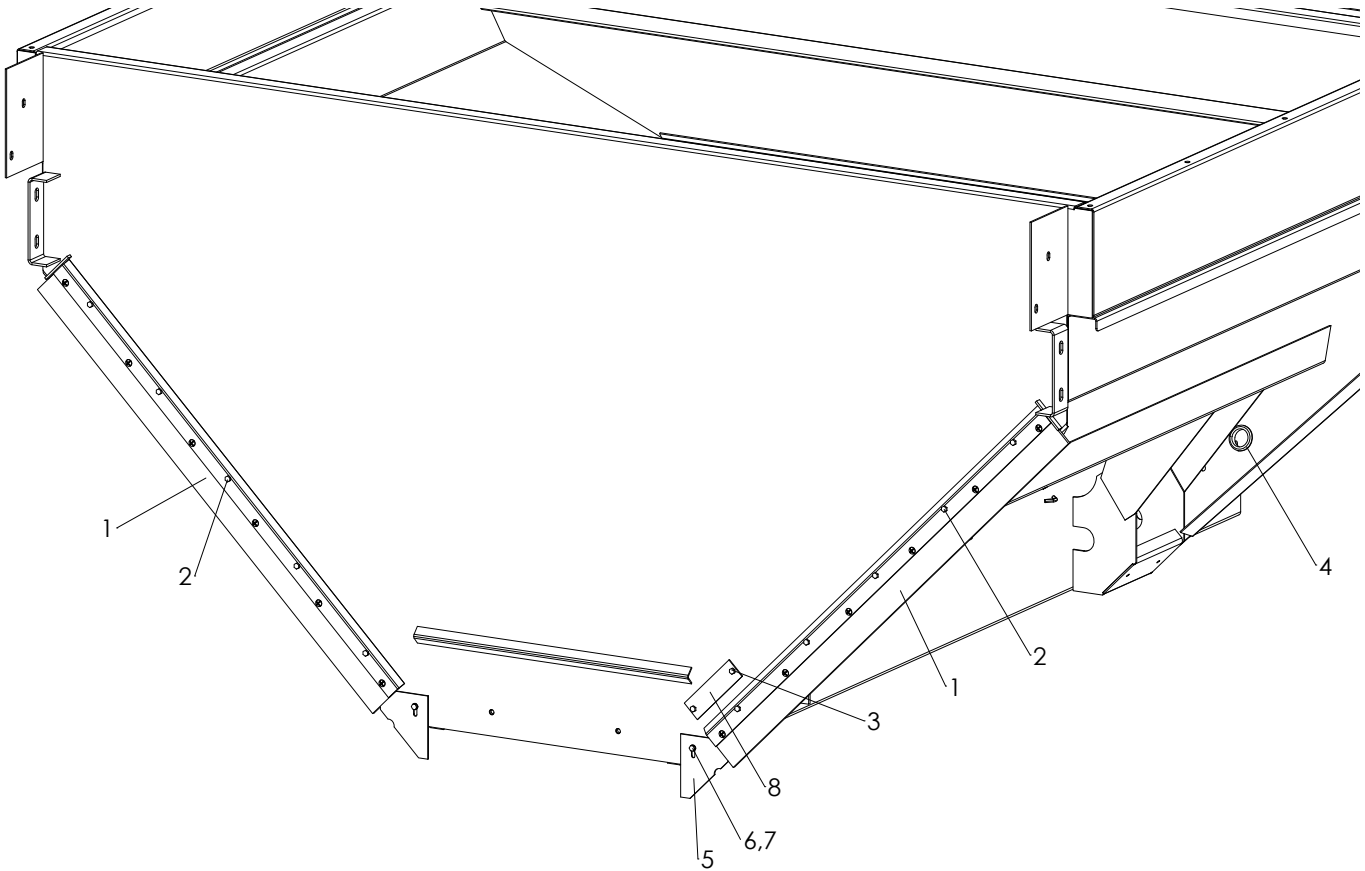
Panel - Dual



* - Rear Endgate removed for clarity.

<u>ITEM</u>	<u>PART NO.</u>	<u>DESCRIPTION</u>	<u>QTY</u>
1	306528	Panel - Insert Upper 304	1
2	306529	Panel - Wldmt Lower 304	1
3	42639	Bolt - Carriage 5/16 x 1 SS	26
4	36424	Washer - Flat 5/16	26
5	42221	Nut - Lock 5/16 SS	26

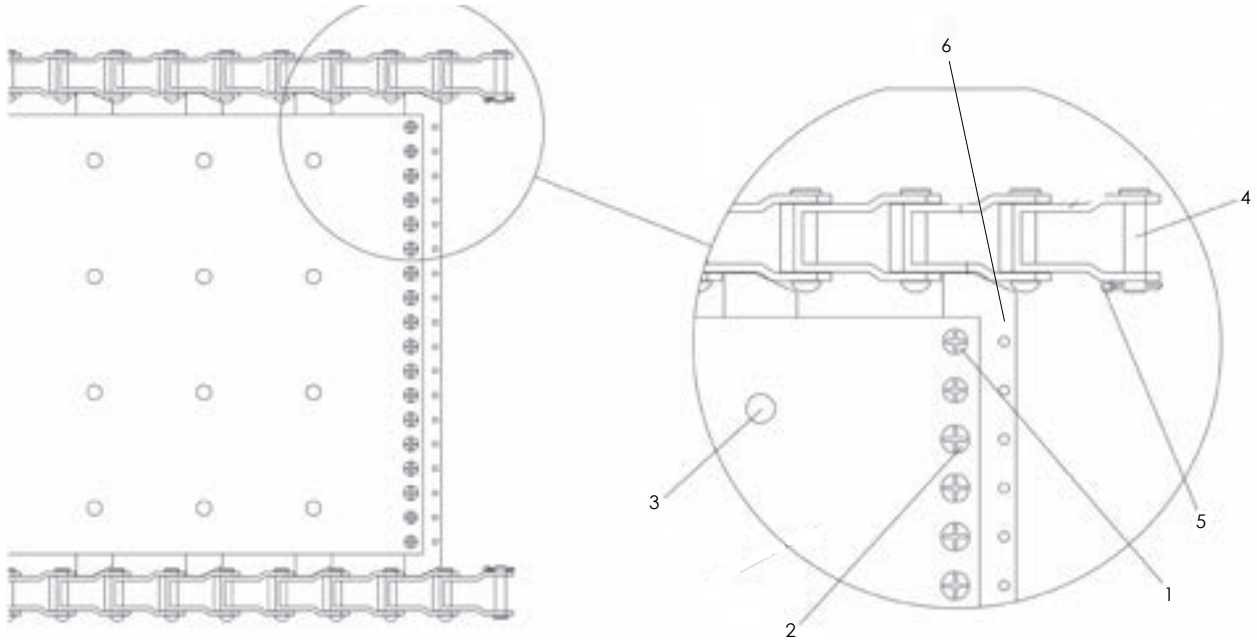
Sealer-Front



ITEM	PART NO.	DESCRIPTION	QTY
	306637	Seal - Assy 304, Includes 1, 9-11	
1	306582	Seal - 3 x 1/4 x 45	2
2	36395	Cap Screw - 1/4 x 1 SS	10
3	36393	Cap Screw - 1/4 x 3/4 SS	2
4	34129	Grommet - Rubber	1
5	306707	Sealer - Endgate Bolt-In 304	2
6	36418	Washer - Lock 1/4 SS	2
7	40750	Cap Screw - 14 x 1-1/4 SS	2
8	307125	Plate - Bin Sensor 304	1
9	306581	Retainer - Seal 304	2
10	56258	Screw - Truss Head 1/4-20 x 1/2	12
11	88931	Nut - Tee 1/4 x 1/4	12

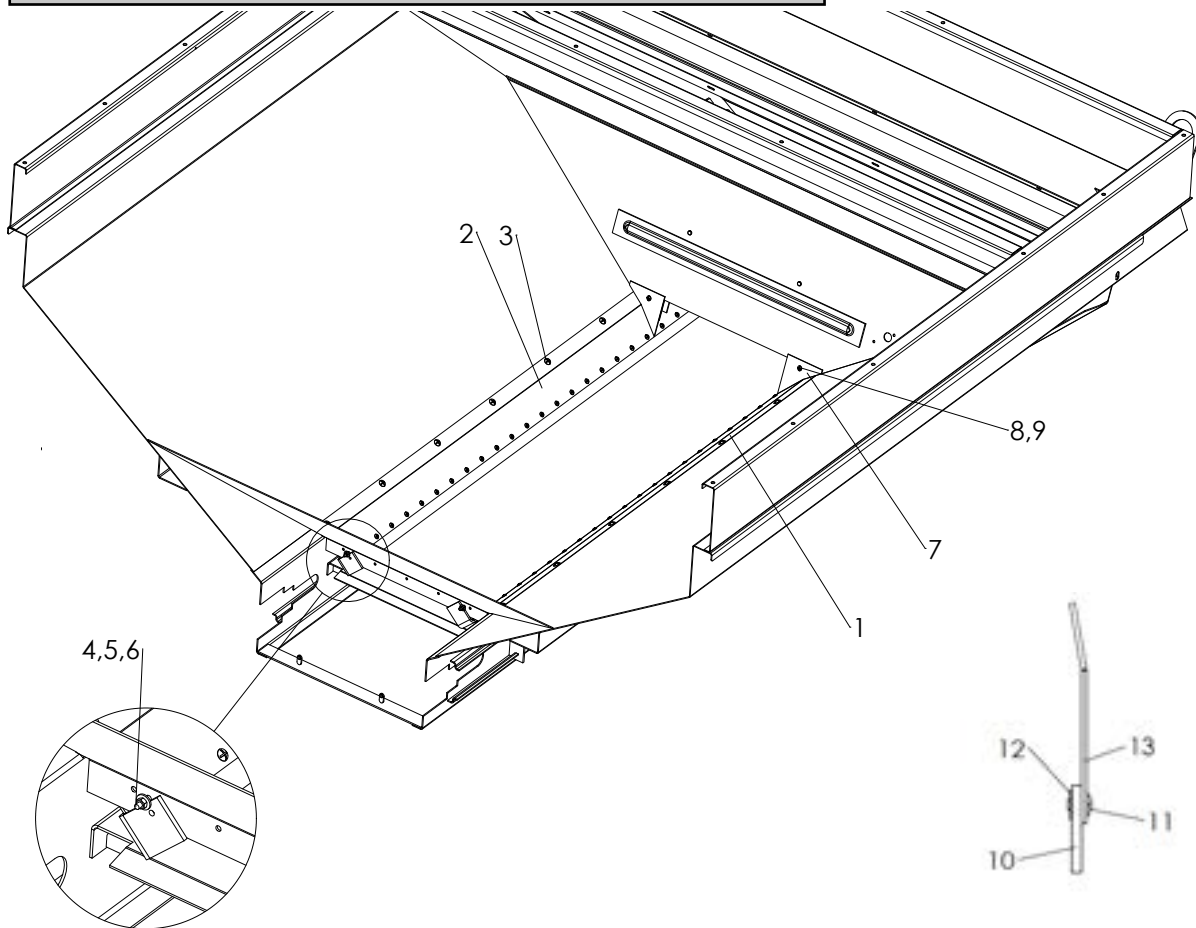
Multibin

#4 Belt-Over-Chain Conveyor



ITEM	PART NO.	DESCRIPTION	QTY
	308712-AC	Chain Wldmt - 7'	1
1	20617	Screw - Flat 1/4-20NC x 1/2	8
2	20624	Screw - Truss Head 1/4-20NC x 1/2	28
3	308534	Screw - 1/4 x 1/2-20NC - 5' Unit	124
	308534	Screw - 1/4 x 1/2-20NC - 7' Unit	144
4	21118	Pin - Chain Pintle	2
5	20817	Pin - Cotter	2
6	70473	Bar - Splicer	1

Chain Shields



ITEM	PART NO.	DESCRIPTION	QTY
1	306542-AA	Shield - Chain Assy LH 304, Includes 10-13	1
2	306542-AB	Shield - Chain Assy RH 304, Includes 10-13	1
3	71829	Screw - Truss Head 3/8 x 1 SS	16
4	42033	Screw - Truss Head 1/4 x 1 SS	2
5	36423	Washer - Flat 1/4 SS	2
6	36412	Nut - Hex 1/4 SS	2
7	306558	Sealer - Feedgate Bolt-In 304	2
8	32446	Screw - Truss Head 1/4 x 3/4 SS	2
9	42034	Nut - Lock 1/4 SS	2
10	305975	Belting - Sealer Strip MOR	2
11	56258	Screw - Truss Head 1/4-20 x 1/2 SS	54
12	88931	Nut - Tee 1/4 x 1/4	54
13	306543	Shield - Chain 304	2

Hydraulics

<u>ITEM</u>	<u>PART NO.</u>	<u>DESCRIPTION</u>	<u>QTY</u>
1	306638	Bracket - Valve Mounting	1
2	36425	Washer - Flat 3/8 SS	4
3	36423	Washer - Flat 1/4 SS	4
4	36398	Cap Screw - 3/8-16NC x 1 SS	6
5	56396	Cap Screw - 1/4-20NC x 3-1/4 SS	6
6	71830	Cap Screw - 5/16-18NC x 2-1/2 SS	11
7	36399	Cap Screw - 3/8-16NC x 1-1/4 SS	2
8	36396	Cap Screw - 1/4-20NC x 3 SS	12
9	72054	Nut - Lock 3/8-16NC SS	8
10	42034	Nut - Lock 1/4-20NC SS	18
11	42221	Nut - Lock 5/16-18NC SS	11
12	302098	Washer - Step 1/4ID x 13/32OD x 1/2 THK	6
13	302097	Washer - Step 1/4ID x 13/32OD x 1/8 THK	6
14	311818	Valve - Assy 9GPM w/ Relief, Includes Items 49 - 55	1
15	29809	Fitting - 12-12-12 070433	2
16	34709	Fitting - 12-12 070221	1
17	56406	Fitting - 12-8 070123	1
18	311893	Valve - Assy 5GPM w/ Relief, Includes Items 50 - 52, 56, 57	1
19	34803	Fitting - 8-8 070221	3
20	29781	Fitting - 12-12-12 070432	1
21	311900	Valve - Assy 5GPM w/ Relief - includes 50, 51, 56, 57	1
22	34805	Fitting 8-8 070321	2
23	75036	Clamp - Tubing Twin 3/4	11
24	306639	Bracket - Twin Clamp	3
25	311864	Tube - Assy 3/4OD x 3/64 x 118-1/32 304 12' Unit	2
	311865	Tube - Assy 3/4OD x 3/64 x 130-1/32 304 13' Unit	2
	311819	Tube - Assy 3/4OD x 3/64 x 142-1/32 304 14' Unit	2
	311866	Tube - Assy 3/4OD x 3/64 x 154-1/32 304 15' Unit	2
	311867	Tube - Assy 3/4OD x 3/64 x 166-1/32 304 16' Unit	2
26	306743	Fitting - 12-8 070101S 304	5
27	306741	Fitting - 8-10 070220S 304	1

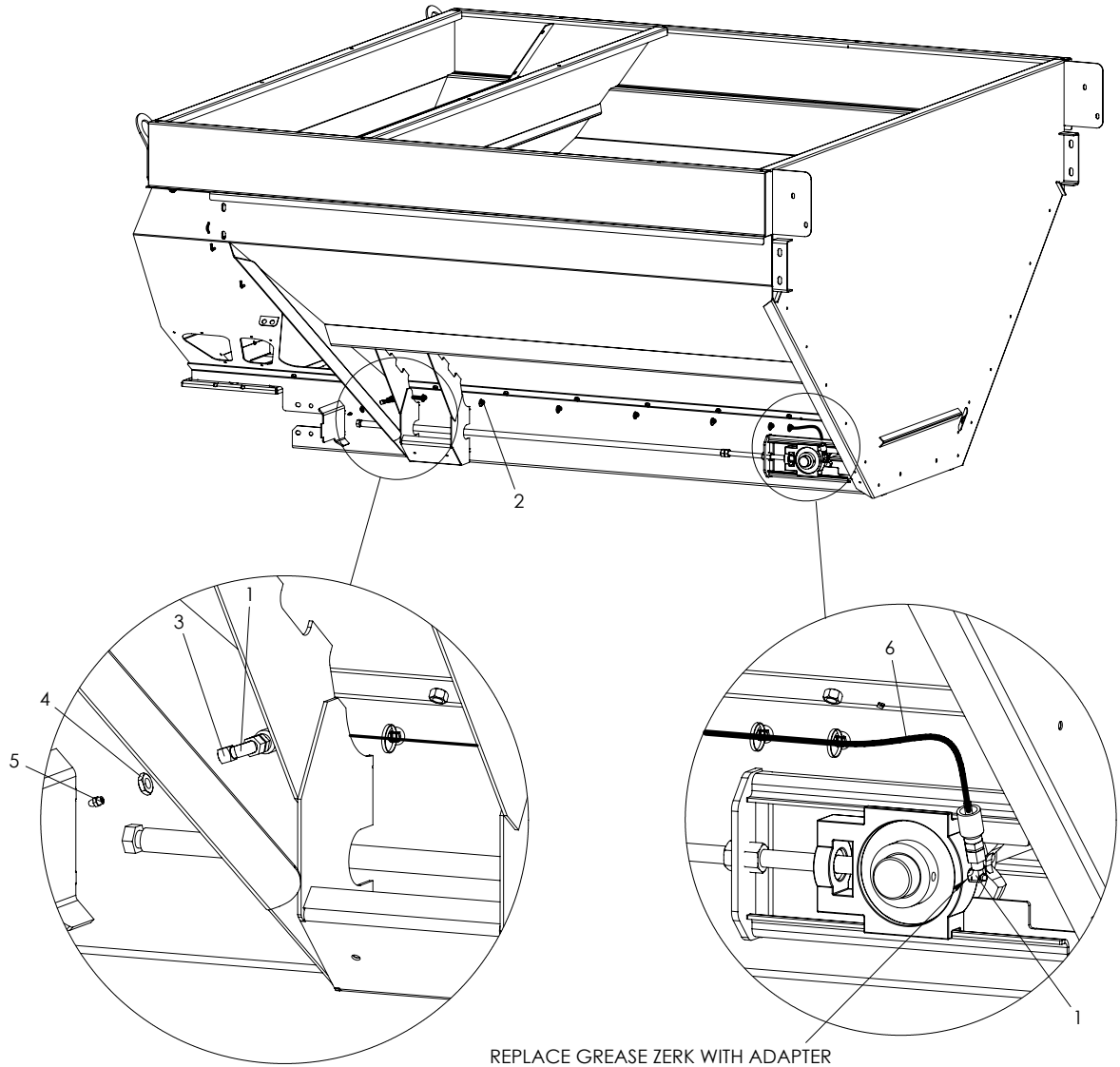
Hydraulics

ITEM	PART NO.	DESCRIPTION	QTY
28	306691	Hose - Assy 1/2 x 30 100R1 SS	2
29	306740	Fitting - 8-10 070120S 304	5
30	311902	Tube - Assy 3/4OD x 3/64 x 107-51/64 304 12' Unit	2
	311904	Tube - Assy 3/4OD x 3/64 x 119-51/64 304 13' Unit	2
	311895	Tube - Assy 3/4OD x 3/64 x 131-51/64 304 14' Unit	2
	311906	Tube - Assy 3/4OD x 3/64 x 143-51/64 304 15' Unit	2
	311916	Tube - Assy 3/4OD x 3/64 x 155-51/64 304 16' Unit	2
31	306744	Fitting - 8-8-8 070432S 304	1
32	306692	Hose - Assy 1/2 x 33-51/64 100R1 SS	1
33	306695	Hose - Assy 1/2 x 36-25/64 100R1 SS	1
34	311903	Tube - Assy 3/4OD x 3/64 x 99-9/16 304 12' Unit	1
	311905	Tube - Assy 3/4OD x 3/64 x 111-9/16 304 13' Unit	1
	311896	Tube - Assy 3/4OD x 3/64 x 123-9/16 304 14' Unit	1
	311907	Tube - Assy 3/4OD x 3/64 x 135-9/16 304 15' Unit	1
	311917	Tube - Assy 3/4OD x 3/64 x 147-9/16 304 16' Unit	1
35	306693	Hose - Assy 1/2 x 40 100R1 SS	1
36	306694	Hose - Assy 1/2 x 39-13/64 100R1 SS	1
37	311898	Bracket - Hose Clamp 304	1
38	96926	Clamp - Pair 1-1/4 Tube	6
39	96925	Plate - Top 1-1/4 Tube	6
40	311892	Hose - Assy 3/4 x 146 100R4	1
41	311822	Hose - Assy 1/2 x 30 100R1	1
42	311826	Plate - Hose	1
43	311752	Fitting - 8 070118	1
44	311754	Fitting - 8 070112	1
45	29782	Fitting - 12-12 070321	1
46	311427	Hose - Assy 1/2 x 29-3/4 100R1	1
47	311891	Hose - Assy 3/4 x 17-1/2 100R4	1
48	311210	Hose - Assy 1/2 x 16-3/8 100R1	1
49	311817	Valve - Flow Control 9GPM w/ Relief, Includes Items 53 - 55	1
50	29847	Fitting - 12-12 070220	AR

Hydraulics

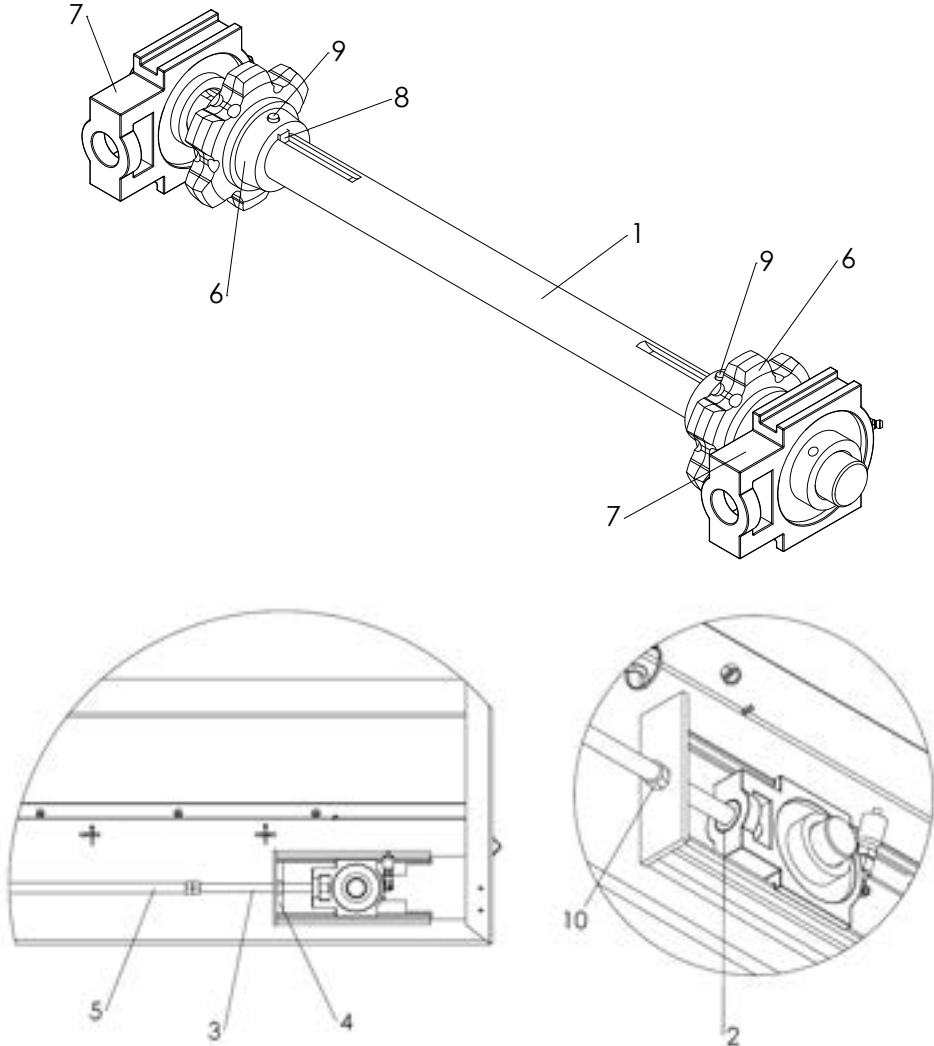
<u>ITEM</u>	<u>PART NO.</u>	<u>DESCRIPTION</u>	<u>QTY</u>
51	34842	Fitting - 8-12 070120	AR
52	303226	Fitting - 12-12 070120 Special Length	AR
53	306277	Valve - Flow Control 9 GPM SFP	1
54	311817-AA	Valve - Compensator 25 GPM SFP	1
55	311817-AB	Valve - Relief	1
56	306273	Valve - Assy Control 5GPM, Includes Item 57	AR
57	306275	Valve - Flow Control 5 GPM	AR
58	6028	Nipple - Pipe 1 1/4 NPT x 1 5/8	1
59	305059	Valve - Ball 1 1/4 NPT	1

Idler Zerk



ITEM	PART NO.	DESCRIPTION	QTY
1	34734	Adapter - Elbow	2
2	311806	Tie - Cable	8
3	301332	Connector - Bulkhead	2
4	301333	Nut - Lock Connector	2
5	6072	Zerk - Grease	2
6	307128	Hose - Assy 1/4 100R1 x 80	2

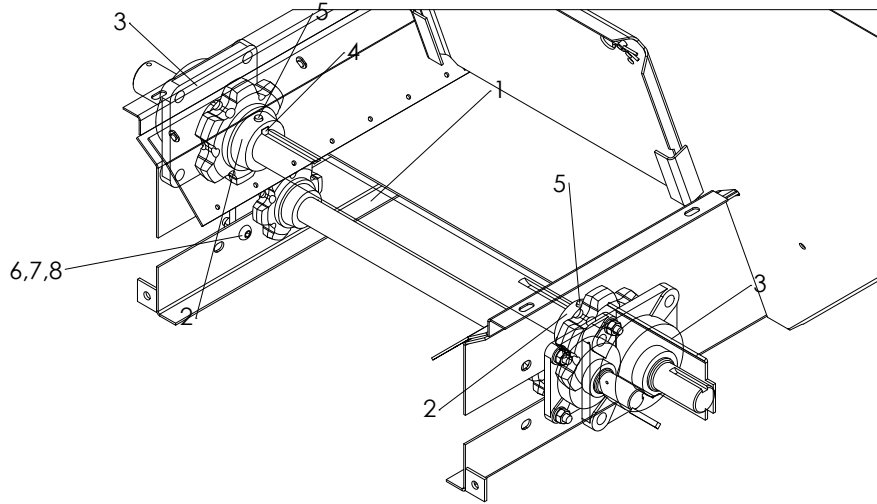
Conveyor Idler



Conveyor Idler

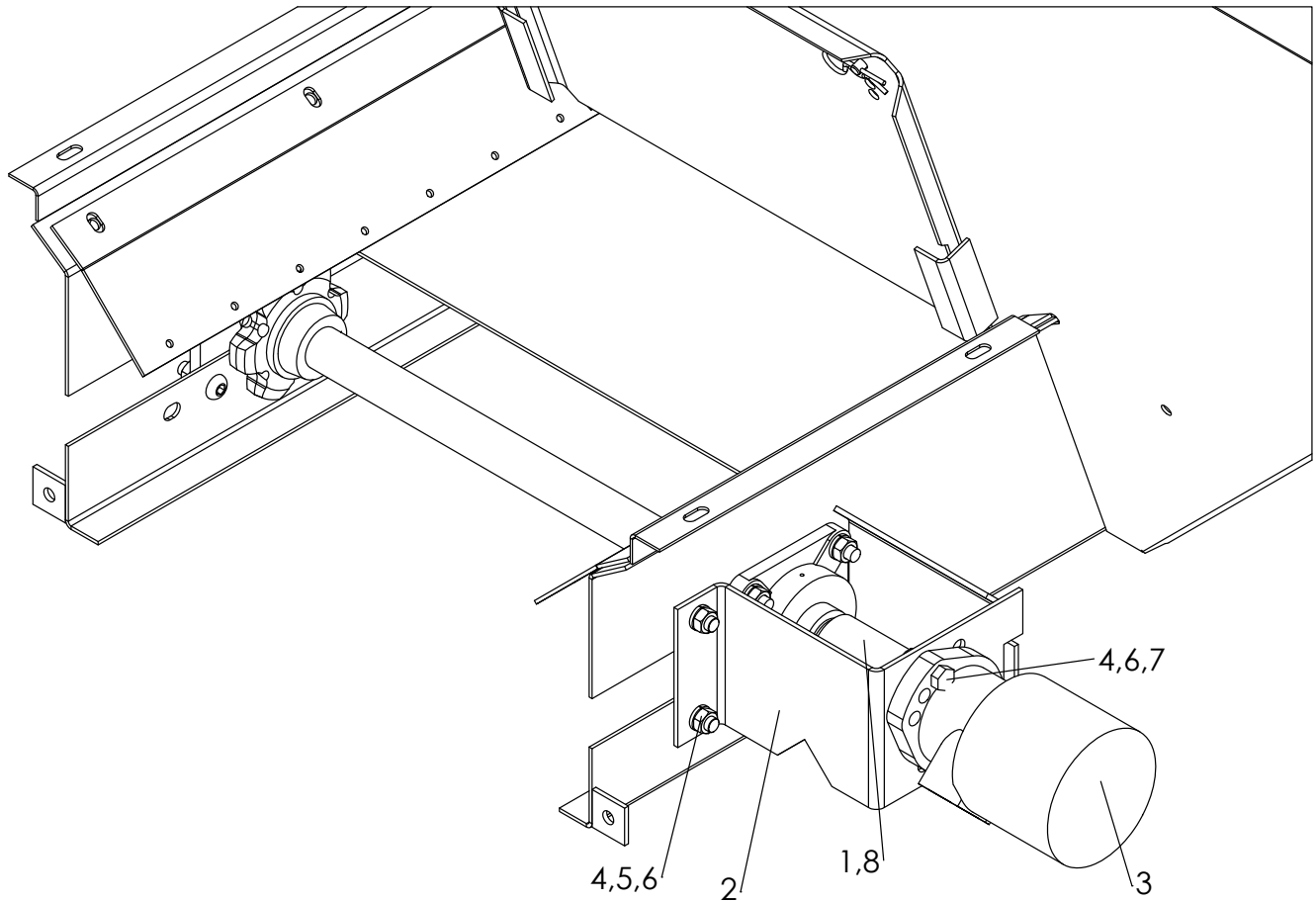
<u>ITEM</u>	<u>PART NO.</u>	<u>DESCRIPTION</u>	<u>QTY</u>
	89780	Idler - Assy, Includes 1, 6-9	
1	89779	Shaft - Idler	1
2	17078	Collar - Set	2
3	87857	Bolt - Wldmt Takeup 304	2
4	87856	Nut - Wldmt 304	2
5	306974	Pipe - Wldmt Adjustment 304 5'	2
	306595	Pipe - Wldmt Adjustment 304 7'	2
6	86757	Sprocket	2
7	22511	Bearing - Takeup 1-1/2	2
8	6131	Key - Square 3/8 x 1-1/2	2
9	20743	Screw - Set 5/16 x 3/8	4
10	36417	Nut - Hex	2

Conveyor Drive



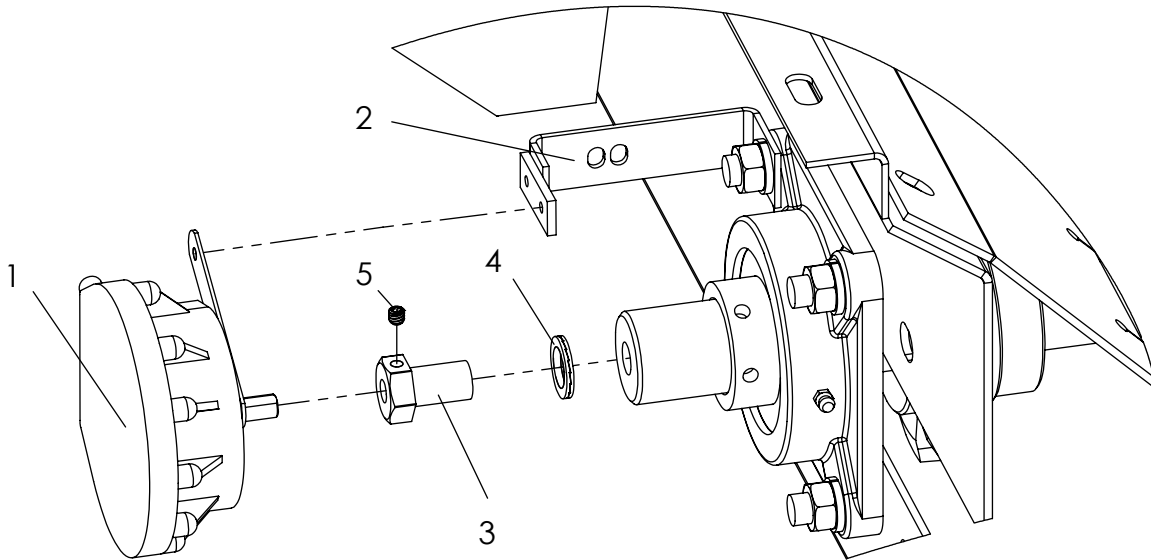
<u>ITEM</u>	<u>PART NO.</u>	<u>DESCRIPTION</u>	<u>QTY</u>
	86759-X1	Drive - Assy Shaft, Includes 1-5	
1	310644	Shaft	1
2	86757	Sprocket - 6 Tooth	2
3	6697	Bearing	2
4	6131	Key	2
5	20743	Screw - Set 5/16	4
6	36416	Nut - Hex 1/2 SS	8
7	36422	Washer - Lock 1/2 SS	8
8	304484	Screw - Button Head 1/2 x 1-1/2	8

Conveyor Motor



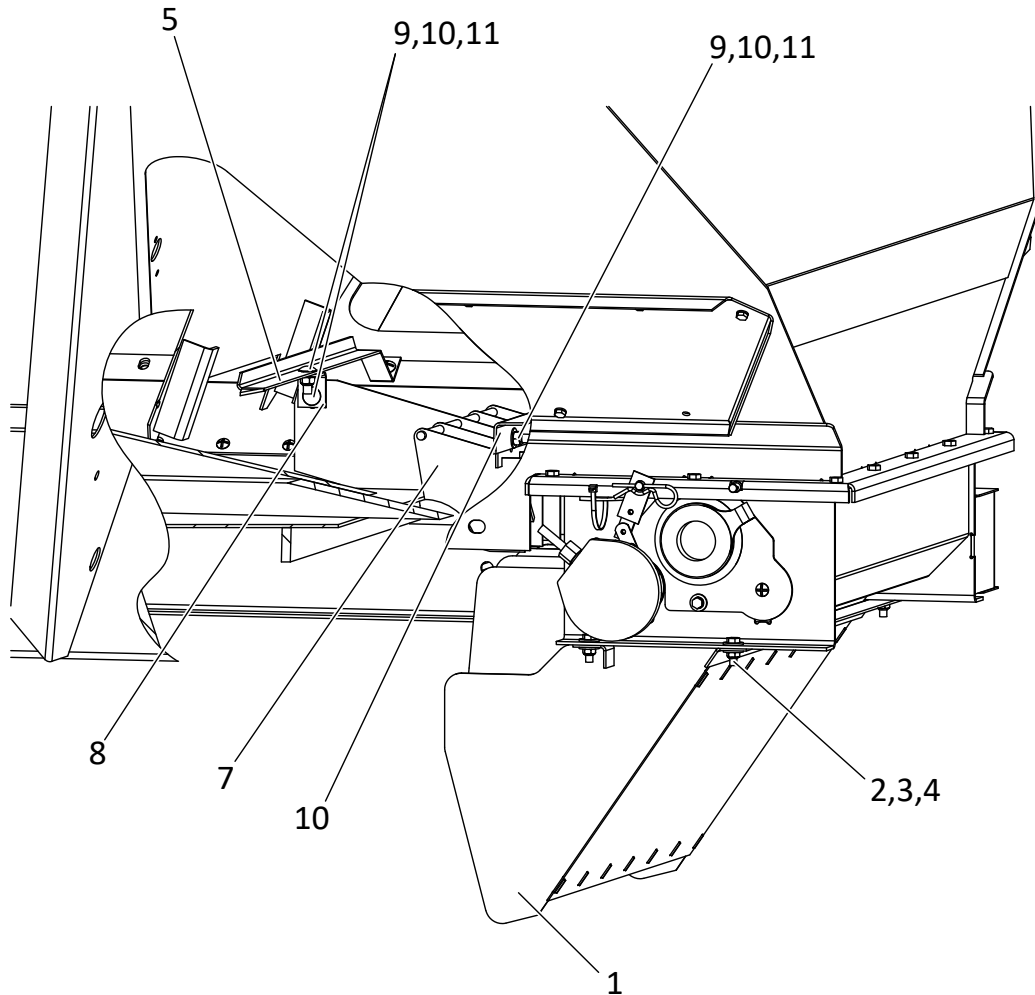
ITEM	PART NO.	DESCRIPTION	QTY
1	86762	Coupler - Shaft 1-1/4	1
2	86766	Mount - Motor Hydraulic	1
3	311056	Motor 29.1 CID	1
	56293	Seal Kit	1
4	36416	Nut - Hex 1/2 SS	4
5	72056	Bolt - Carriage 1/2 x 1 SS	2
6	36422	Washer - Lock 1/2 SS	4
7	36539	Cap Screw - 1/2 x 1-1/2 SS	2
8	4059	Key - Square 5/16 x 5/16 x 1-1/2	1

Conveyor Encoder



<u>ITEM</u>	<u>PART NO.</u>	<u>DESCRIPTION</u>	<u>QTY</u>
1	303994	Encoder - 180 Count DJ	1
2	304953-X1	Bracket - Dickey John Encoder	1
3	310601	Coupler - Rate Sensor SS	1
4	310602	Washer - Lock Special	1
5	310603	Screw - Set 1/4-20NC X 5/16 SS	1

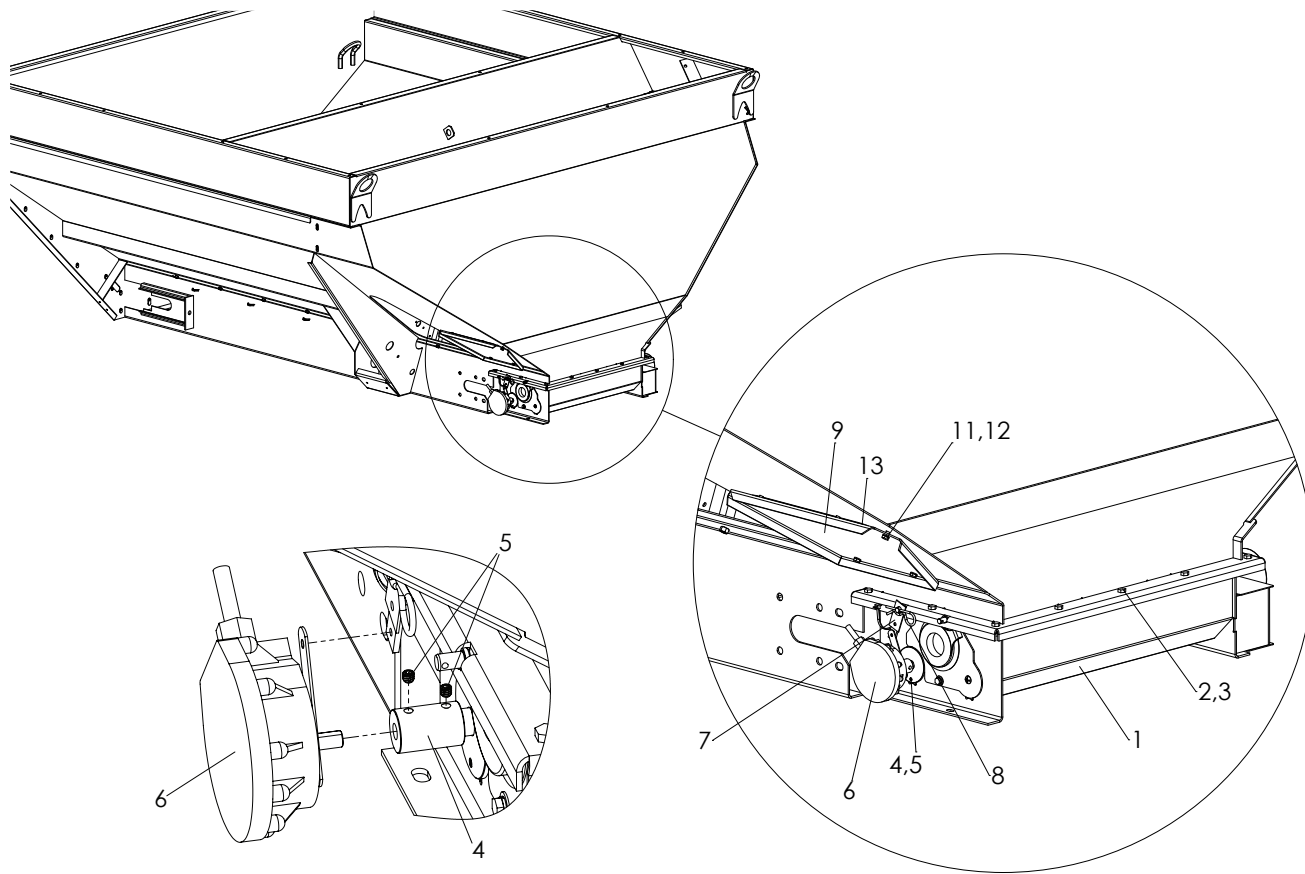
Divider



<u>ITEM</u>	<u>PART NO.</u>	<u>DESCRIPTION</u>	<u>QTY</u>
1	306712	Divider - Wldmt Lower 304	1
2	34580	Cap Screw - 5/16 x 1	4
3	36424	Washer - Flat 5/16	8
4	42221	Nut - Lock 5/16 SS	4
5	306576	Support - Divider 304	1
6	306577	Support - Divider 304	1
7	306570	Divider - Wldmt Upper 304	1
8	306575	Clamp - Angle 304	1
9	36408	Bolt - Carriage 3/8 x 1 SS	4
10	36425	Washer - Flat 3/8 SS	4
11	72054	Nut - Lock 3/8 SS	4

Multibin

Micro Group



Micro Group

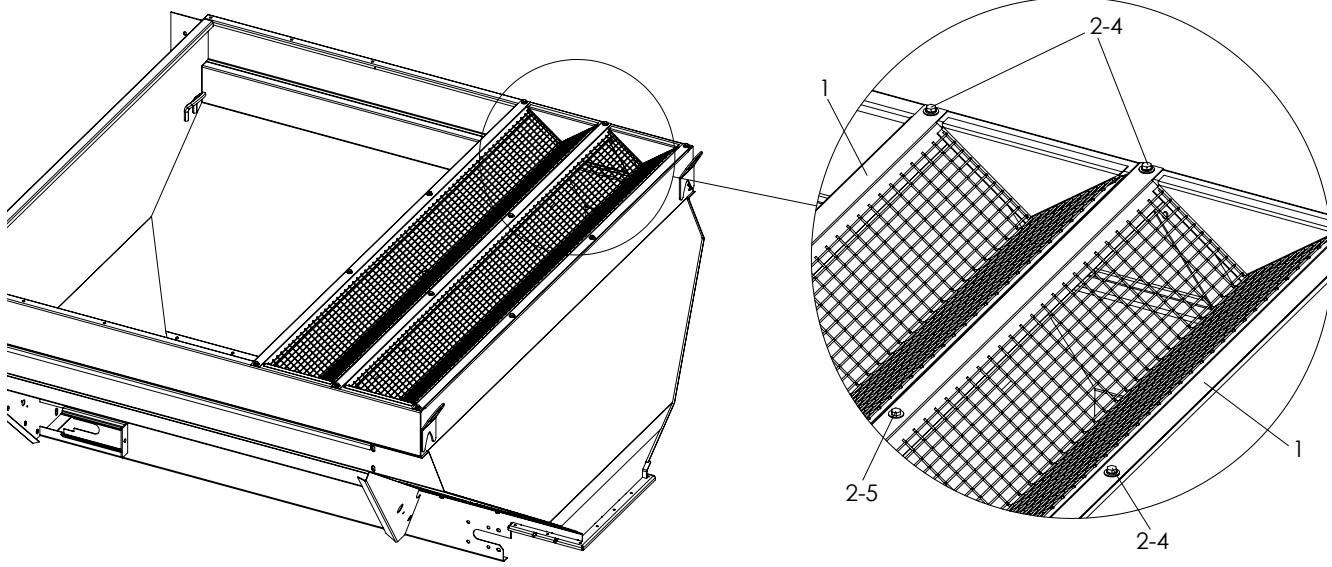
<u>ITEM</u>	<u>PART NO.</u>	<u>DESCRIPTION</u>	<u>QTY</u>
1	306584	Micro - Assy Single (see MicroBin Micro Assembly parts list)	1
	306585	Micro - Assy Dual (see MicroBin Micro Assembly parts list)	1
2	56858	Cap Screw - 5/16 x 3/4	12
3	42221	Nut - Lock 5/16 SS	AR
4	304170	Coupling - Encoder 5/8 Shaft	AR
5	310603	Screw - Set 1/4-20NC X 5/16 SS	AR
6	303994	Encoder - 180 Count DJ with Mount Kit	AR
	303994-AA	Encoder	AR
	303994-AB	Mount - Kit	AR
7	306553	Torque Arm - Encoder 304	AR
8	36429	Pin - Hair	AR
9	306706-AA	Cover - MultiBin Access LH 304	1
10	*306706-AB	Cover - MultiBin Access RH 304	1
11	36418	Washer - Lock 1/4 SS	12
12	36393	Cap Screw - 1/4 x 3/4 SS	12
13	306819	Seal - Rubber	10 ft.

* - Not Shown

Micro Assembly

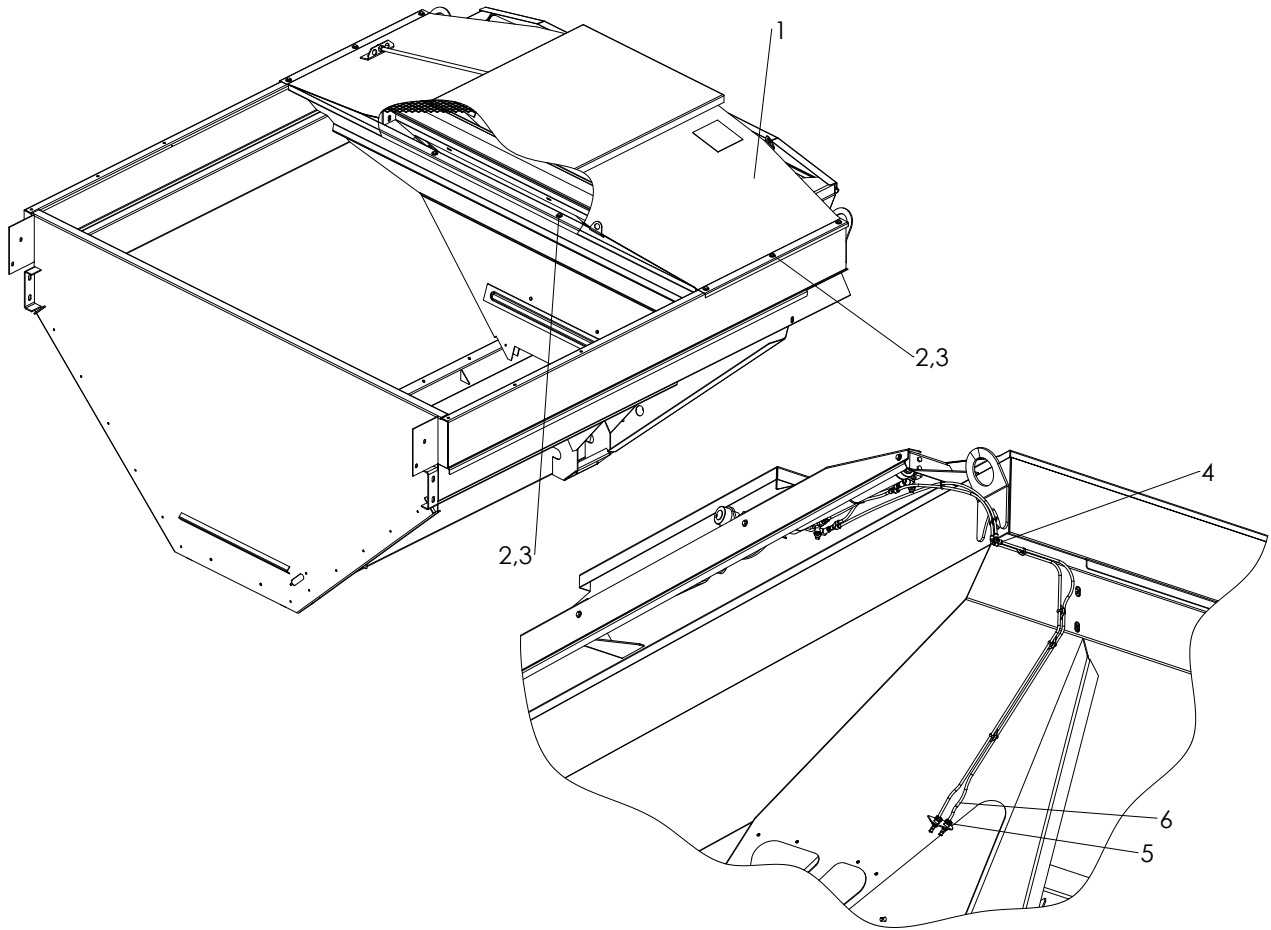
ITEM	PART NO.	DESCRIPTION	QTY
1	306534	Micro - Wldmt Bottom 304	1
2	304125	Hub - Bearing	AR
3	306555	Retainer - Cover Single 304	AR
	306556	Retainer - Cover Dual 304	AR
4	306557	Guide Retainer 304	AR
5	39685	Coupling - Chain, Half	AR
6	34562	Key - Woodruff 5/32 x 5/8	AR
7	11409	Coupling - Chain, Half	AR
8	306865	Chain - Assembly 304	AR
9	306547	Mount - Motor Single 304	1
	306548	Mount - Motor Dual 304	1
10	304129	Motor - Hydraulic 11.9 CID	AR
	313015	Seal Kit	AR
11	20737	Screw - Set 1/4 x 1/2	AR
12	306549	Guard - Wldmt Upper 304	1
13	306551	Guard - Wldmt Lower 304	1
14	98787-AB	Sensor - Bin Level 18" Lead	AR
15	36539	Cap Screw - 1/2 x 1-1/2	AR
16	39016	Nut - Lock 1/2 SS	AR
17	36398	Cap Screw - 3/8 x 1 SS	4
18	72054	Nut - Lock 3/8 SS	4
19	36393	Cap Screw - 1/4 x 3/4 SS	4
20	36423	Washer - Flat 1/4 SS	4
21	36418	Washer - Lock 3/8	4
22	32446	Screw - Truss Head 1/4 x 3/4	2
23	42034	Nut - Lock 1/4 SS	2
24	306807	Plug - Inspection	2
25	99674	Tie - Wire	2
26	58728	Conduit - Flexible	1.5 ft.
27	304130	Shaft - Meter Wheel	AR
28	304134-AA	Wheel - Meter Section	AR
29	304133	Washer	AR
30	96066	Washer - Rubber	AR
31	56313	Pin - Roll	AR

Micro Screens



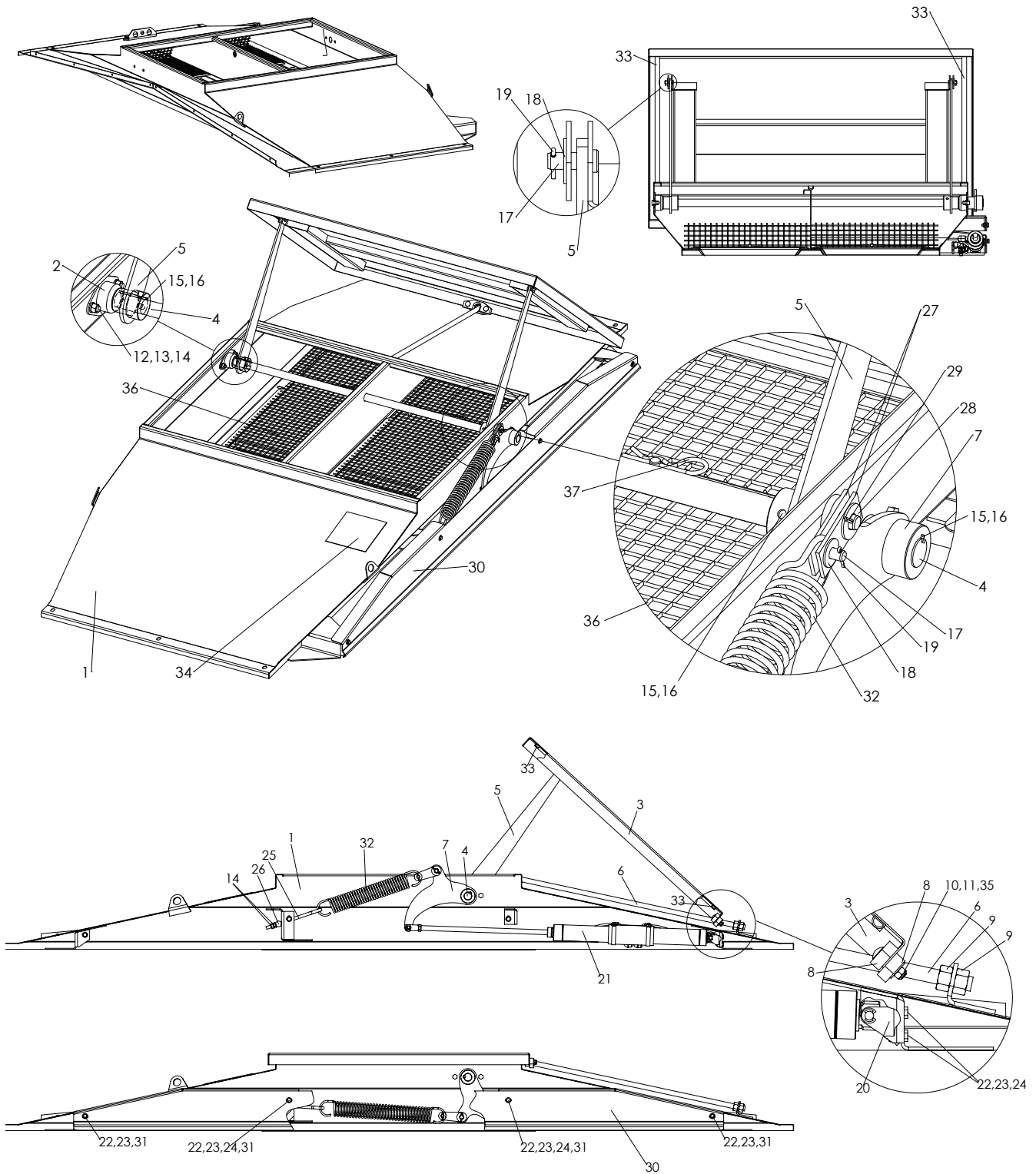
<u>ITEM</u>	<u>PART NO.</u>	<u>DESCRIPTION</u>	<u>QTY</u>
1	306931	Screen - Wldmt 304	AR
2	36293	Cap Screw - 3/8-16 x 3/4 SS	AR
3	36425	Washer - Flat 3/8 SS	AR
4	36420	Washer - Lock 3/8 SS	AR
5	72054	Nut - Lock 3/8 SS	2

Cover Group



<u>ITEM</u>	<u>PART NO.</u>	<u>DESCRIPTION</u>	<u>QTY</u>
1	306629	Cover - Assy MultiBin 304 (see MultiBin Cover Assembly parts list)	1
2	36398	Cap Screw - 3/8 x 1 SS	10
3	36425	Washer - Flat 3/8 SS	10
4	306833	Fitting	2
5	306829	Fitting	2
6	9005-0-7761	Tubing - 1/4 OD Airbrake Lock	11 ft.

Cover Assembly



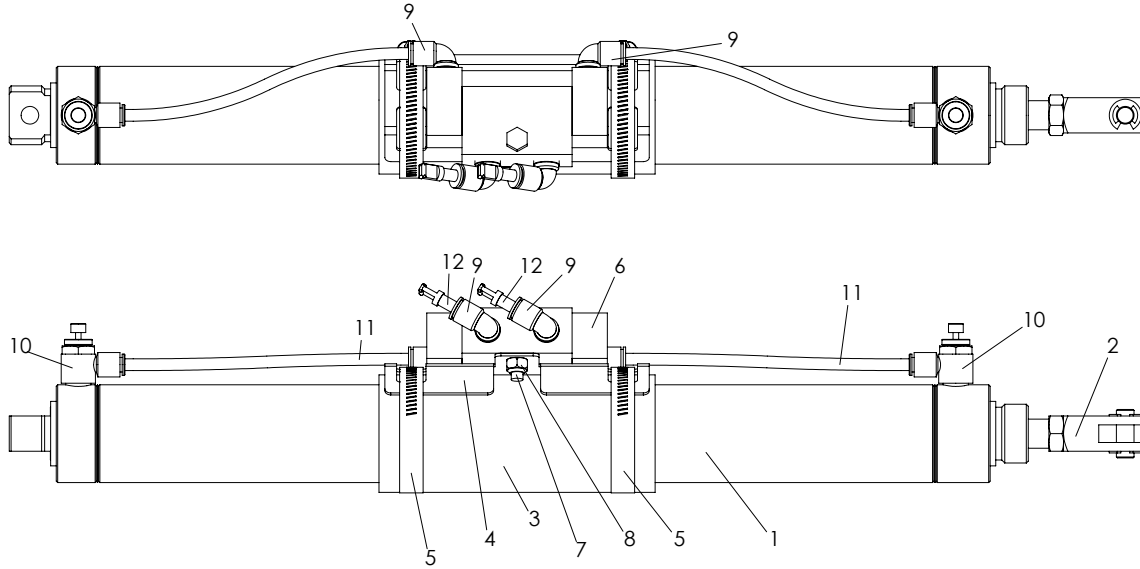
Cover Assembly

<u>ITEM</u>	<u>PART NO.</u>	<u>DESCRIPTION</u>	<u>QTY</u>
	306629	Cover - Assy	
1	306586	Cover - Wldmt	1
2	306711	Bearing - Flange 1"	2
3	306597	Lid - Wldmt 304	1
4	306710	Shaft - Pivot 304	1
5	306709	Link - Wldmt 304	2
6	306607	Rod - Guide 304	1
7	306697	Pivot - Wldmt 304	1
8	306809	Block - Guide	2
9	36417	Nut - Hex 5/8 SS	2
10	42221	Nut - Lock 5/16 SS	2
11	36424	Washer - Flat 5/16	2
12	36293	Cap Screw - 3/8 x 3/4 SS	4
13	36420	Washer - Lock 3/8 SS	4
14	36414	Nut - Hex 3/8 SS	5
15	2212	Key - Square 1/4 x 1-1/2	3
16	20742	Screw - Set 5/16 x 5/16	6
17	306816	Pin - Clevis	3
18	36425	Washer - Flat 3/8 SS	3
19	306817	Pin - Cotter	3
20	306811	Clevis - Base Cylinder SS	1
21	311034	Cylinder - Assy	1
22	36393	Cap Screw - 1/4 x 3/4 SS	6
23	36418	Washer - Lock 1/4 SS	6
24	36412	Nut - Hex 1/4 SS	4
25	306814	Eyebolt - Wire 3/8 x 6 SS	1
26	306618	Pivot - 304	1
27	311040	Plate - Clevis Spring 304	2
28	36426	Washer - Flat 1/2 SS	1
29	36427	Pin - Cotter 1/8 x 1	1
30	306806	Guard - Rear 304	1

Cover Assembly

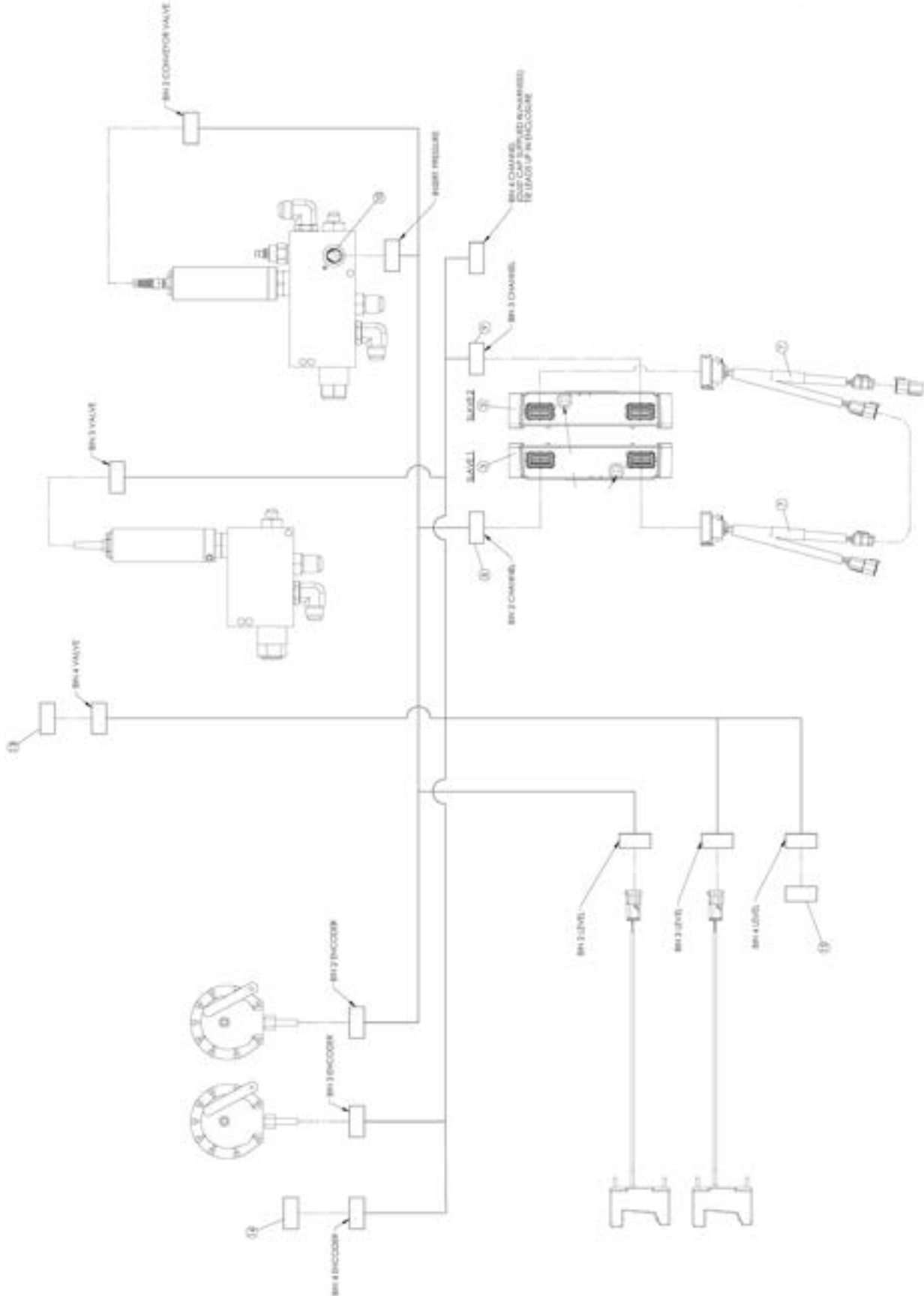
<u>ITEM</u>	<u>PART NO.</u>	<u>DESCRIPTION</u>	<u>QTY</u>
31	36423	Washer - Flat 1/4 SS	6
32	306813	Spring	1
33	306818	Seal - Rubber	12.25 ft.
34	55241	Decal - Danger Pinch Point	1
35	8804	Bolt - Carriage 5/16 x 1 SS	2
36	306870	Screen - Wldmt 304	2
37	36429	Pin - Hair	4
38	306927-AA	Transition Tarp LH 304	1
39	306927-AB	Transition - Tarp RH 304	1

Air Cylinder - Cover

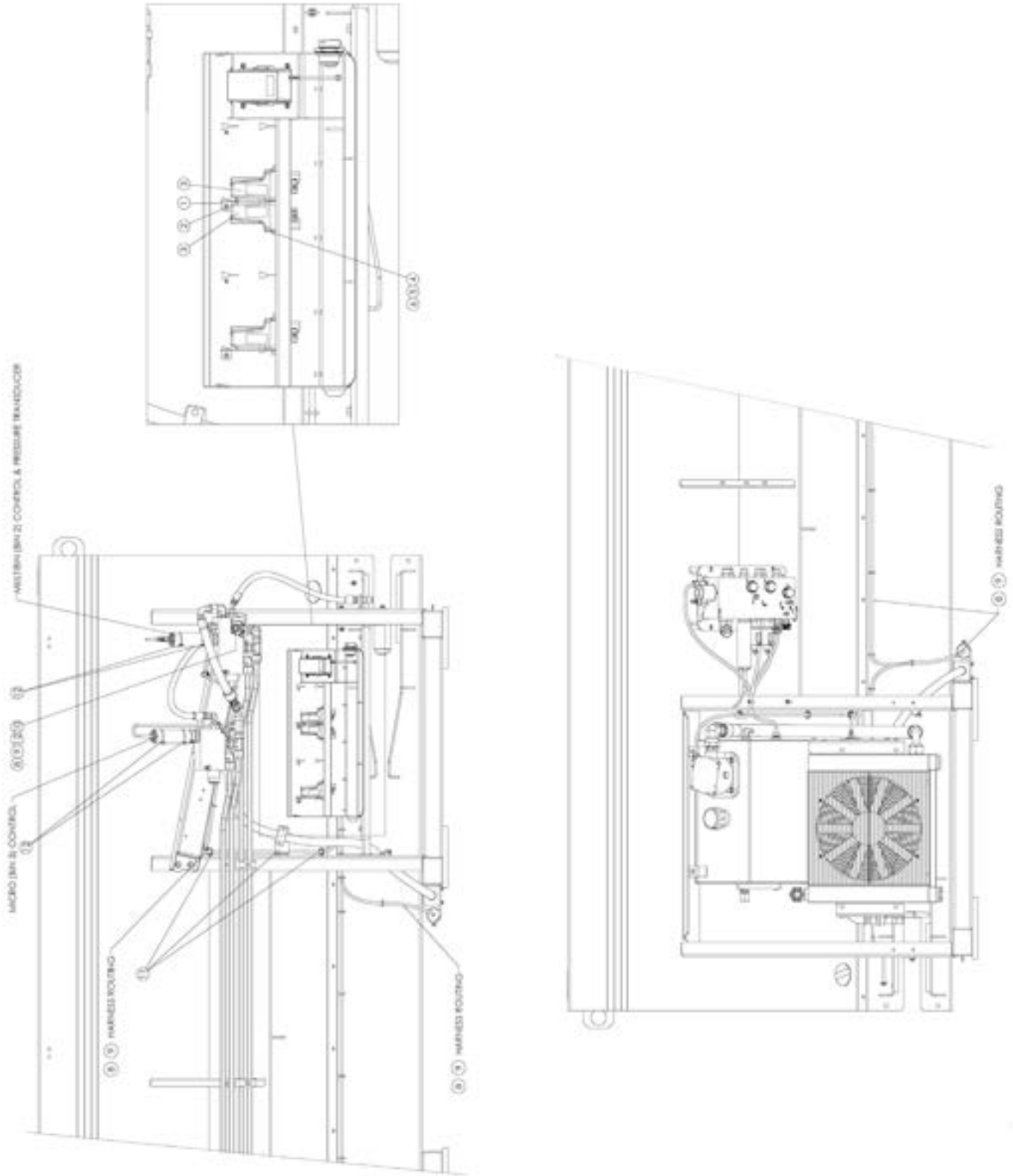


<u>ITEM</u>	<u>PART NO.</u>	<u>DESCRIPTION</u>	<u>QTY</u>
	311034	Cylinder Assy	
1	306810	Cylinder - Air 2 x 16 SS	1
2	306812	Clevis - Rod Cylinder SS	1
3	311038	Isolator - Tube	1
4	311037	Mount - Valve 304	1
5	308029	Clamp - Hose SAE 36 SS	2
6	311035	Valve - Dual Pilot Check	1
7	42448	Cap Screw - 1/4-20NC x 1-1/2 SS	1
8	42034	Nut - Lock 1/4-20NC SS	1
9	308222	Fitting - 4-4 630202K	4
10	311036	Valve - Speed Control	2
11	9005-0-7761	Tubing -1/4 OD Airbrake Black	1.33 ft.
12	306828	Fitting - 4 630101K	2

Controller - MultiBin



Controller - MultiBin



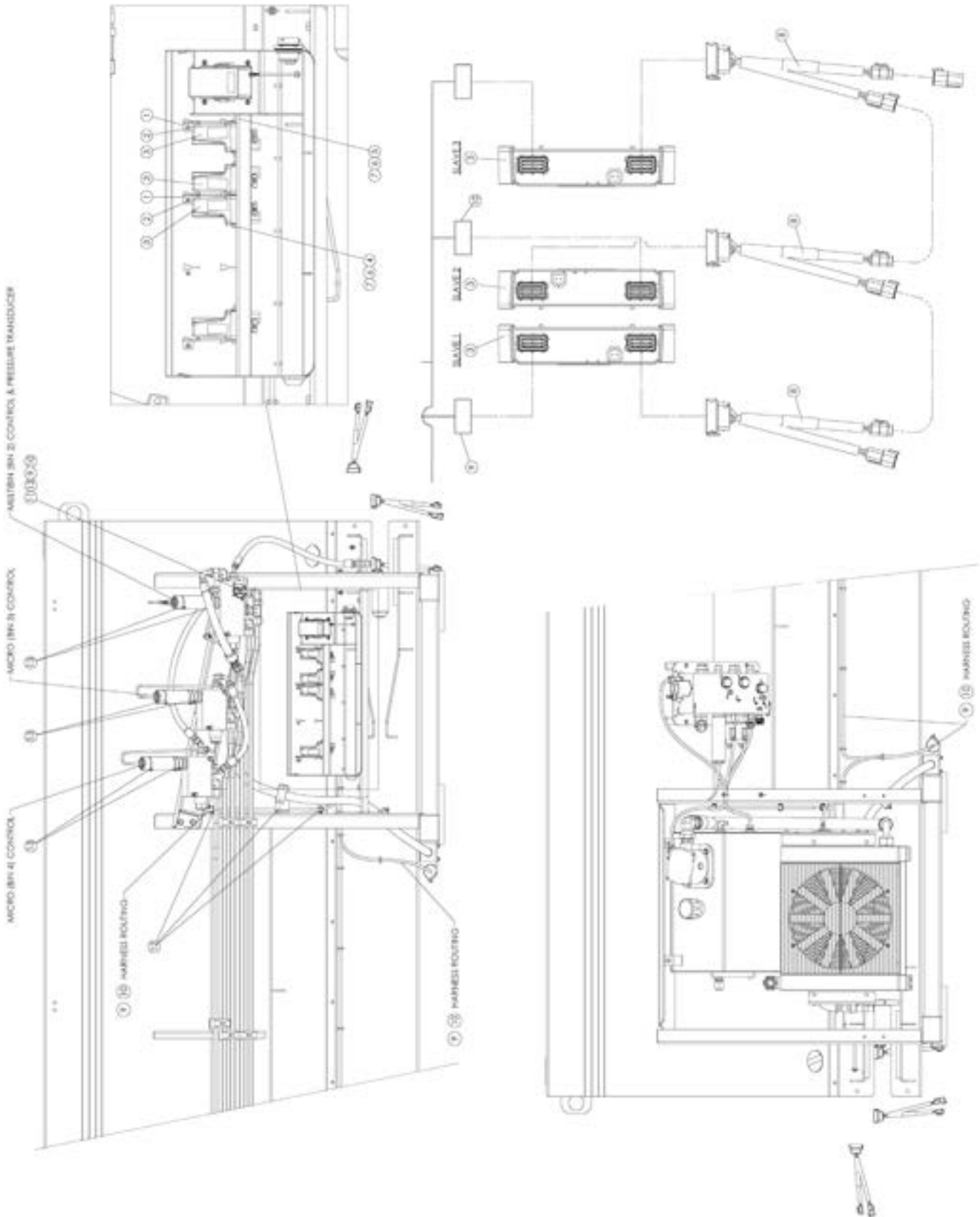
Multibin**Controller - MultiBin**

<u>ITEM</u>	<u>PART NO.</u>	<u>DESCRIPTION</u>	<u>QTY</u>
1	310718	Bracket - Module 304	1
2	44483	Screw - Round Head #10-24nc X .75 SS	1
3	310735	Module - Slave Control	2
4	313679	Capscrew - .375-16nc X 4.75 SS	2
5	36425	Washer - Flat .375 SS	4
6	307395	Nut - Lock Thin .375-16nc SS	2
7	311060	Harness - Local Can Breakout	2
8	316950	Harness - Bin 2 Control 11'-12'	1
	316951	Harness - Bin 2 Control 13'-14'	1
	316952	Harness - Bin 2 Control 15'-16'	1
9	316953	Harness - Micro Bin Control 11'-12'	1
	316954	Harness - Micro Bin Control 13'-14'	1
	316955	Harness - Micro Bin Control 15'-16'	1
10	311074	Transducer - Pressure	1
11	311806	Tie - Wire Fir Tree	13
12	99674	Strap - Zip Tie 8 Black	5
13	307181-AH	Plug - Assy Sealing Mp 3-Pin	1
14	307181-AB	Plug - Assy Sealing Wp 3-Pin	1
15	307181-AG	Plug - Assy Sealing Wp 4-Pinsq	1

This page is intentionally left blank.

Multibin

Controller - MultiBins

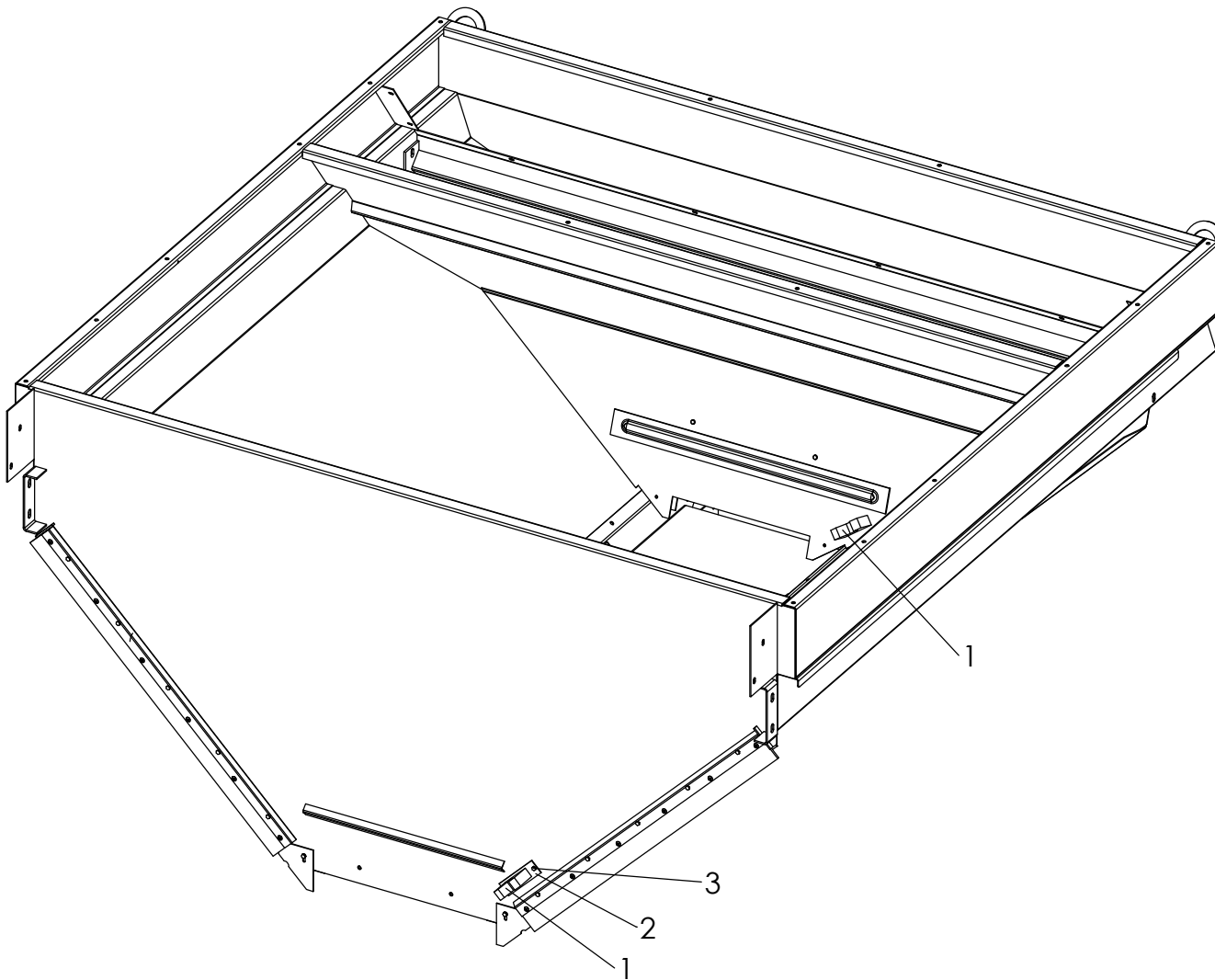


Controller - MultiBins

<u>ITEM</u>	<u>PART NO.</u>	<u>DESCRIPTION</u>	<u>QTY</u>
1	310718	Bracket - Module 304	2
2	44483	Screw - Round Head #10-24nc X .75 SS	2
3	310735	Module - Slave Control	3
4	313679	Capscrew - .375-16nc X 4.75 SS	2
5	36296	Capscrew - .3846 X 2.75 SS	2
6	36425	Washer - Flat .375 SS	8
7	307395	Nut - Lock Thin .375-16nc SS	4
8	311060	Harness - Local Can Breakout	3
9	316950	Harness - Bin 2 Control 11'-12'	1
	316951	Harness - Bin 2 Control 13'-14'	1
	316952	Harness - Bin 2 Control 15'-16'	1
10	316953	Harness - Micro Bin Control 11'-12'	1
	316954	Harness - Micro Bin Control 13'-14'	1
	316955	Harness - Micro Bin Control 15'-16'	1
11	311074	Transducer - Pressure	1
12	311806	Tie - Wire Fir Tree	14
13	99674	Strap - Zip Tie 8 Black	7

Multibin

Bin Sensors



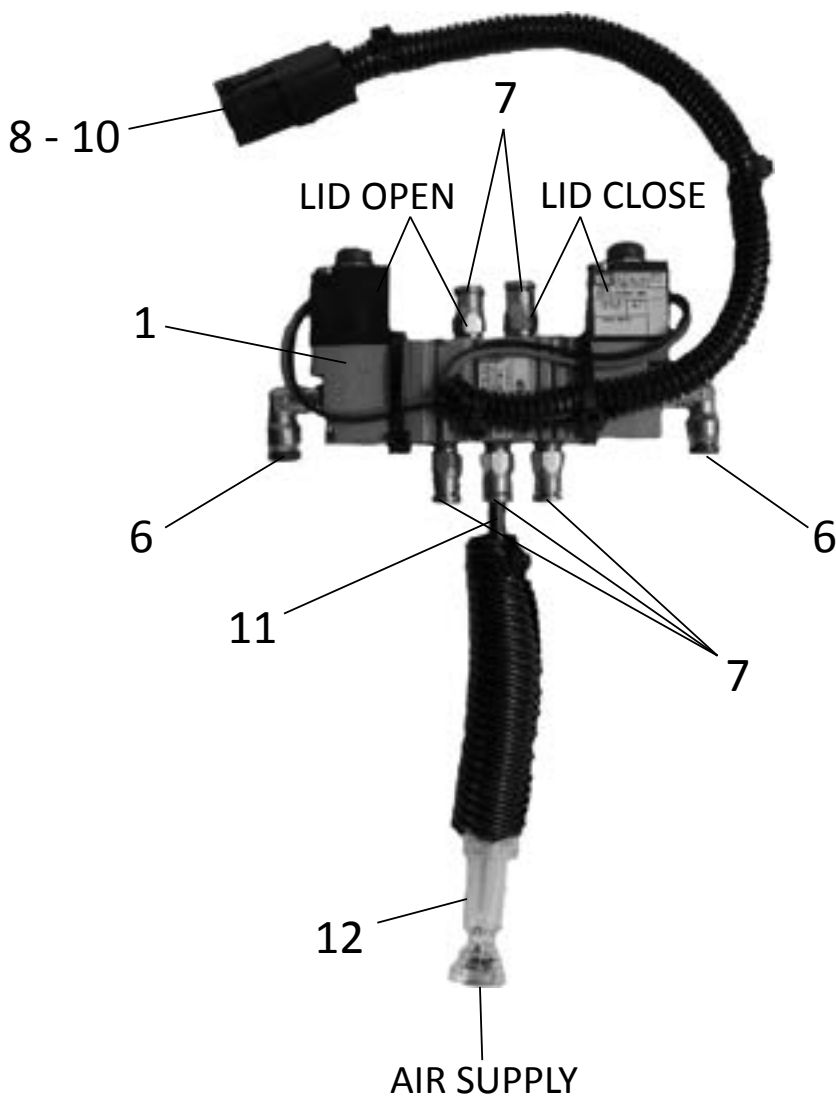
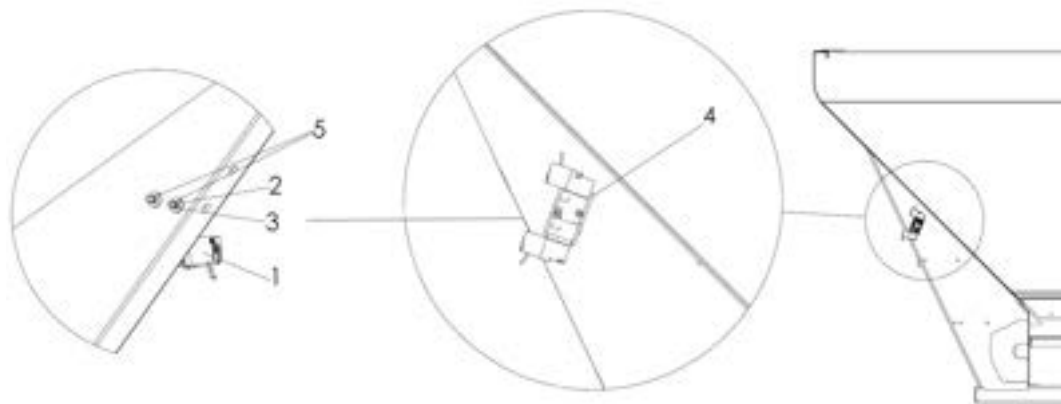
ITEM	PART NO.	DESCRIPTION	QTY
1	98787-AB	Sensor - Bin Level 18" Lead	2
2	307124	Mount - Sensor 304	1
3	36393	Cap Screw - 1/4 x 3/4 SS	2
4	*307130	Cable - Jumper 102"	1
5	*98787-AD	Cable - 27' Bin Level Sensor	2

* - Not Shown

This page is intentionally left blank.

Multibin

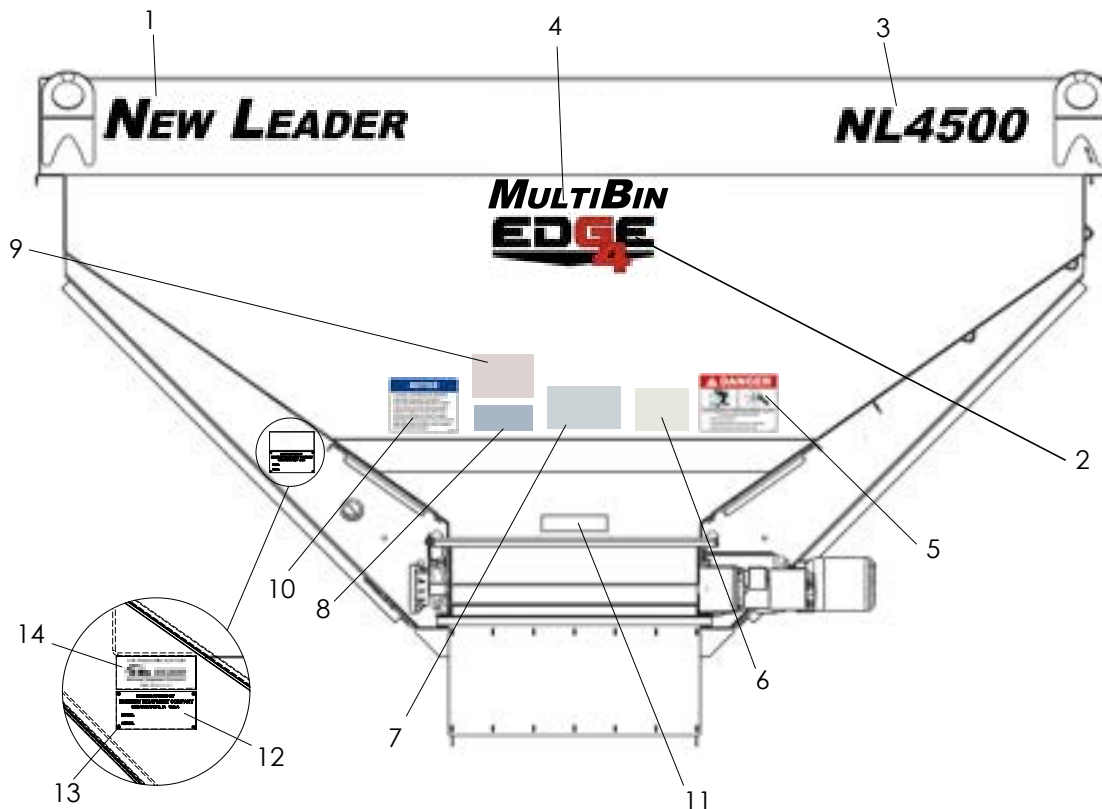
Lid Pneumatics



Lid Pneumatics

<u>ITEM</u>	<u>PART NO.</u>	<u>DESCRIPTION</u>	<u>QTY</u>
	307186	Valve - Assy, Includes Items 1, 6 - 14	1
1	307185	Valve - Assy, Includes Items 8 - 11	1
2	307598	Screw - Truss Head #8-32NC x 2 SS	2
3	45168	Nut - Lock #9-32NC	2
4	307596	Spacer - Air Valve Mntg	1
5	307597	Washer - Step	2
6	307187	Fitting - 4-0 630220B	2
7	9005-0-7833	Fitting - 4-2 630102B	5
8	58728	Conduit - Flexible	.375 ft.
9	303730-BD	Connector - Male Sealed	1
10	303730-EC	Seal - Cable	4
11	303730-DC	Terminal - Male Sealed	4
12	9005-0-7761	Tubing - Air Brake	38 ft.
13	308219	Conduit - Flexible	.33 ft.
14	311039	Filter - In-Line	1

Decals



<u>ITEM</u>	<u>PART NO.</u>	<u>DESCRIPTION</u>	<u>QTY</u>
1	312561	Decal - New Leader Black	1
2	311757	Decal - G4 Edge Black/Red	1
3	312563	Decal - L4500G4 Black	1
4	312971	Decal - MultiBin Black	1
5	368	Decal - Flying Material	1
6	321	Decal - Caution Hazardous Material	1
7	312276	Decal - Notice Spread Pattern	1
8	304206	Decal - Notice No Herbicide	1
9	55631	Decal - Warning Moving Part Hazard	1
10	21476	Decal - Notice Conveyor Chain Life	1
11	39017	Decal - No Step	1
12	37285	Serial Plate - HECO	1
13	6276	Screw - Drive #4 1/4 SS	4
14	302601	Decal - Patient 6,817,551	1

See Cover Assembly for additional decal.