

NL450



1330 76th Ave SW
Cedar Rapids, Iowa

319.363.8281

NewLeader.com



NL450

Pair the NL450 compost spreader with an equivalent horsepower tractor to cover more ground in less time – while maintaining the most accurate spread pattern possible.

Better material flow and increased output deliver higher payload capacity for the heaviest spreading

WHAT IT DOES

Precision Application

- Extra wide, 34" (86cm), conveyor and 50° side slopes for better material flow and increased output
- 118" (300cm) wide body for increase payload capacity

Ease of Use

- Hydraulic oil controller
- Hydraulically-controlled feedgate for in-cab adjustments

Ease of Maintenance

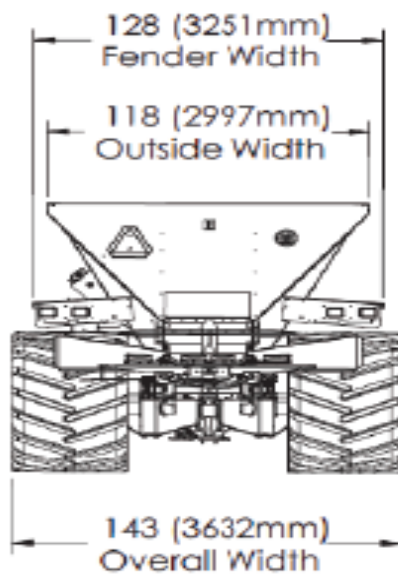
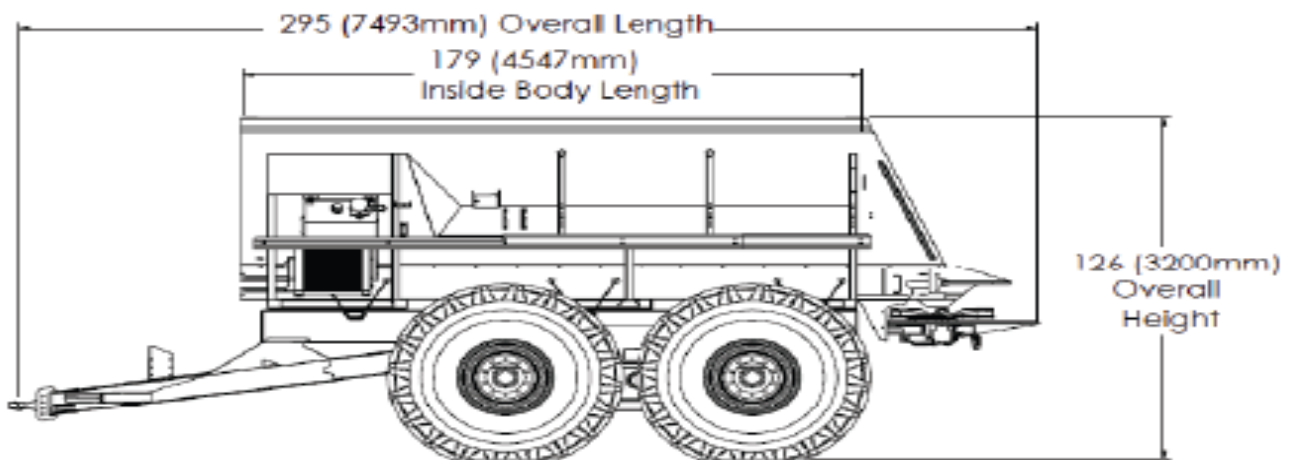
- Stainless steel conveyor floor

Trailer Features

- Heavy-duty trailer main frame with universal hitch
- 4-wheel hydraulic braking system
- Walking suspension with 12" of travel
- High flotation tires for light footprint

TECHNICAL DATA SHEET

NL450				
Unit Length (M)	Overall Length (cm)	Inside Body Length (cm)	Approx Weight lbs (kg)	Struck Capacity Cu Ft (Cu M)
16' (4.88)	295" (749)	179" (454)	18,500 (8400)	450 (12.7)



New Leader Manufacturing
Equipmentsales@newleader.com
800-363-8281