



**NL7**

**NL720  
Walk-Around Guide**



[www.newleader.com](http://www.newleader.com)

Building the best since 1939. New Leader Manufacturing is family owned and operated. Our business is built on honesty and integrity. We have a passion for what we do, and we believe that we can make a better tomorrow by building the best today.



The leading brand of dry spinner spreader crop nutrient applicators, New Leader equipment is used to spread fertilizer, lime, and micronutrients. We partner with leading manufacturers such as AGCO, CNH, John Deere, RBR, and more.

# TABLE OF CONTENTS

<b>About Us</b>	<b>02</b>
<b>NL720 Overview</b>	<b>03</b>
<b>Specifications</b>	<b>04</b>
<b>Ease of Maintenance</b>	<b>08</b>
<b>Inspection Ladder &amp; Screens</b>	<b>09</b>
<b>New NLM Control System</b>	<b>10-11</b>
<b>Stacked Spinner Discs</b>	<b>12</b>
<b>Spinner Motor</b>	<b>13</b>
<b>Inspection Platform</b>	<b>14</b>
<b>Tool-Free Design</b>	<b>15</b>
<b>Positive-Drive Straight Belts</b>	<b>16</b>
<b>Independent In-Cab Control</b>	<b>17</b>
<b>Easy Spread Pattern Testing</b>	<b>18</b>
<b>Single-Pinion Gear Case</b>	<b>19</b>
<b>Value Statements</b>	<b>21</b>

## NL720 Overview

The New Leader NL720 is a high-precision, high-output, wide-spread, fertilizer-only spreader with low sensitivity to driving centers that is both user friendly and low maintenance. Built from 304 stainless steel to resist corrosion, the NL720 is engineered to stand up to the demands of modern agriculture.

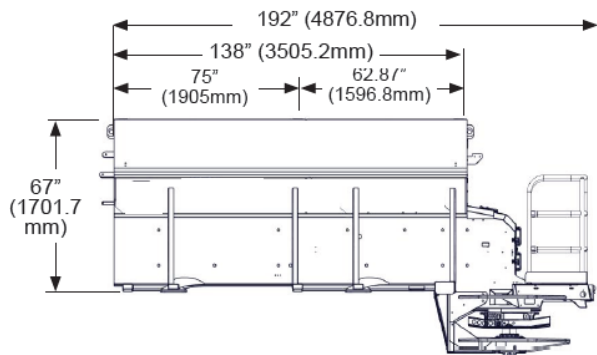
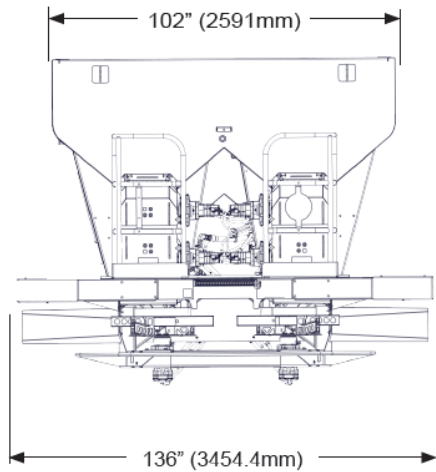
Key features of the NL720 include:

- A 120' spread width for a 33% productivity increase over previous designs
- Split conveyor paired with stacked spinner disc design facilitates a 25% increase in throughput while enhancing precision application
- With a fixed feedgate opening and updated conveyor system, product throughput becomes more consistent than ever
- Updated, easy-to-use in-cab user interface with a built-in spread pattern wizard that has automated pattern adjustment for both profile and width
- Low-maintenance design with tool-free components and zero grease points

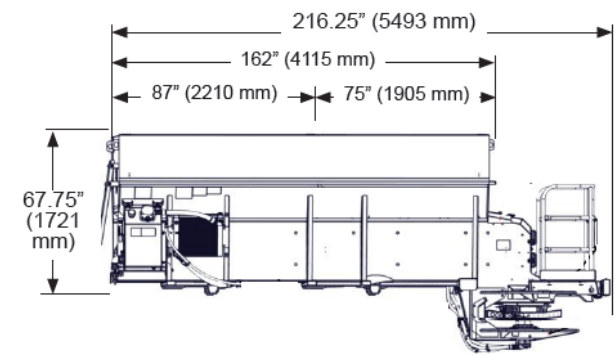
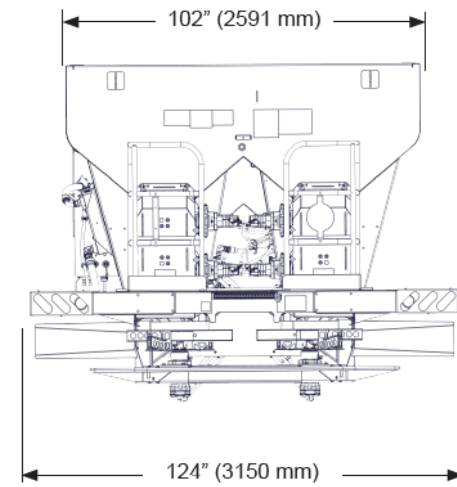


# Specifications

## 12' Unit

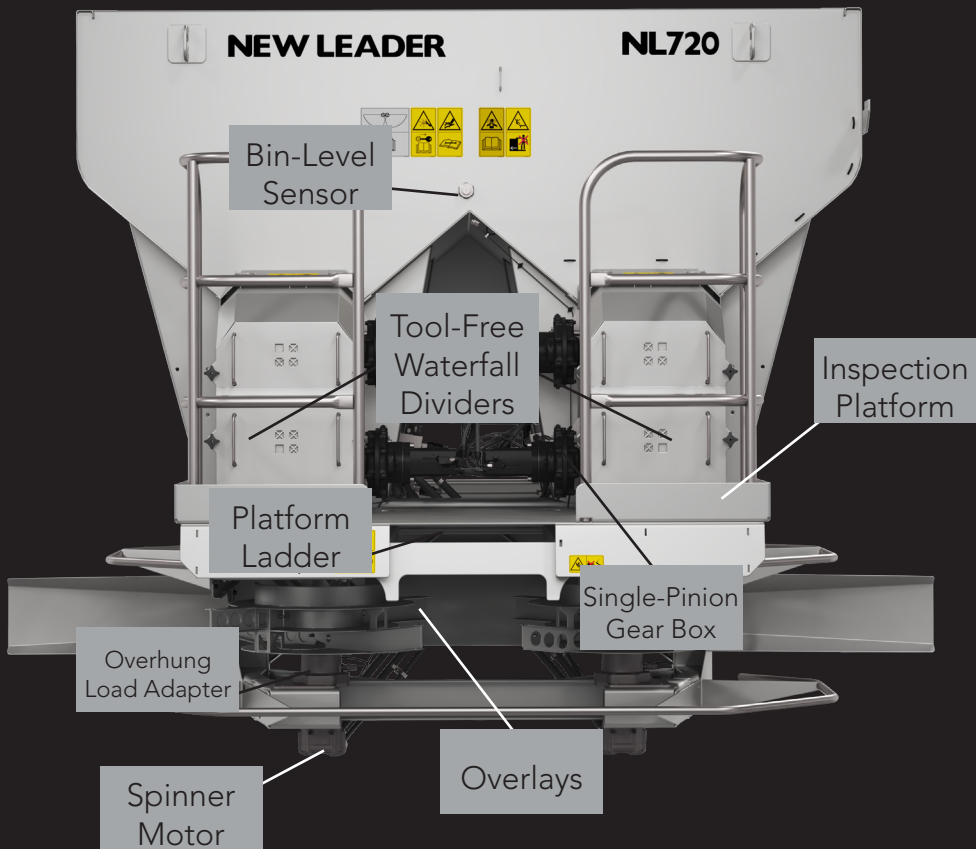


## 14' Unit

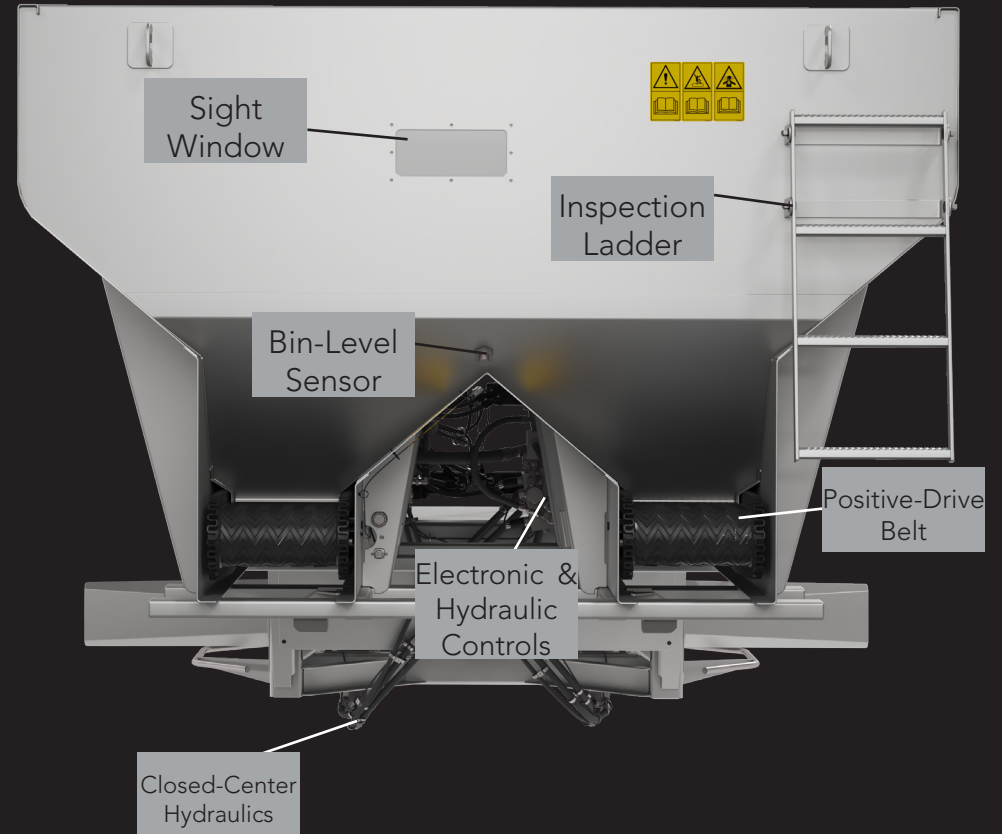


NL720 Dual Bin	
Dual-Bin Capacity	Cu Ft (Cu M)
12' (3.66m) - Bin 1	183 (5.2)
12' (3.66m) - Bin 2	120 (3.4)
<b>12' (3.66m) - Total</b>	<b>303 (8.6)</b>
14' (4.26m) - Bin 1	218 (6.2)
14' (4.26m) - Bin 2	145 (4.1)
<b>14' (4.26m) - Total</b>	<b>363 (10.3)</b>
Est. Weight	Lbs (kg)
12' (3.66m)	6,200 (2,812)
14' (3.66m)	6,800 (3,084)

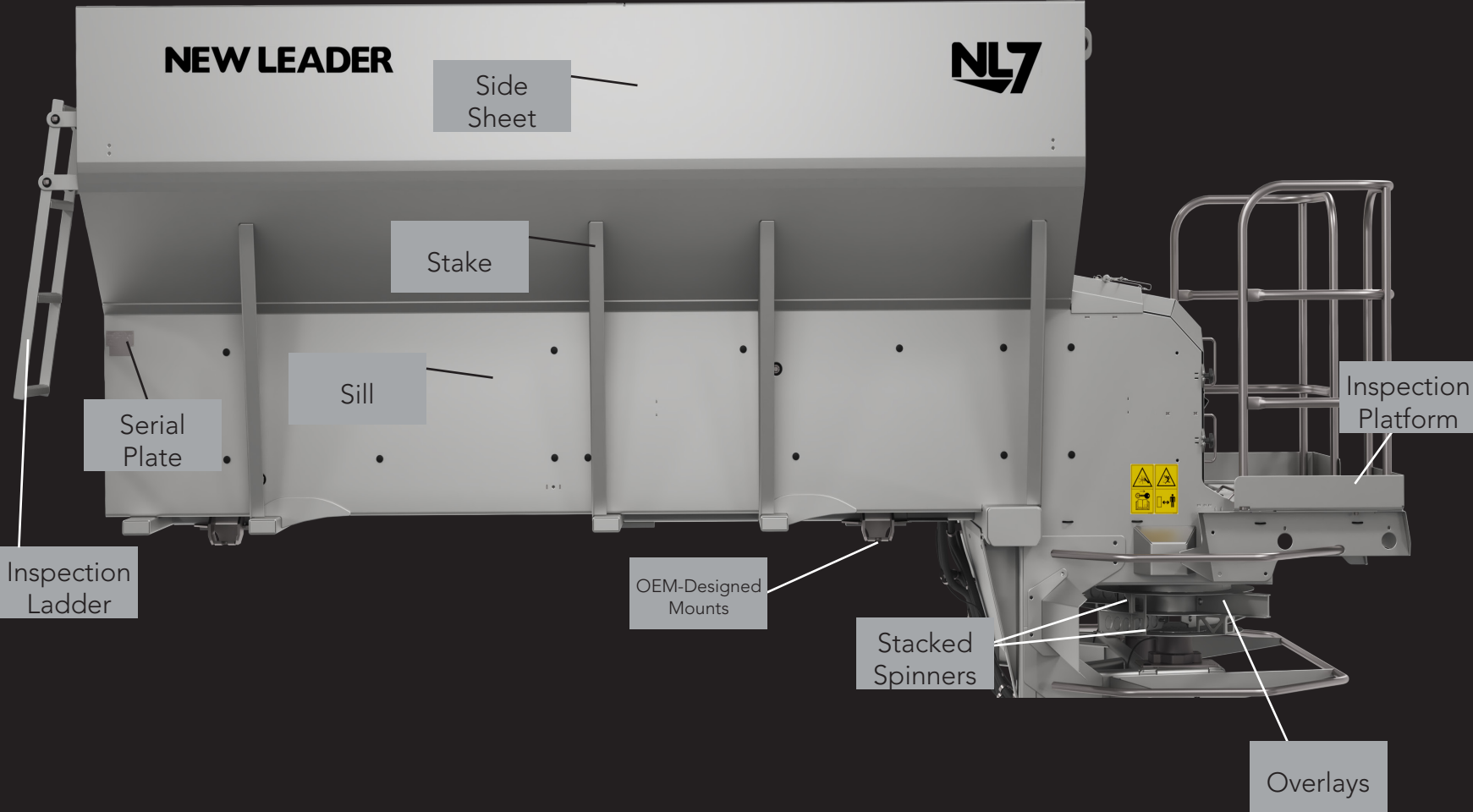
## Rear View



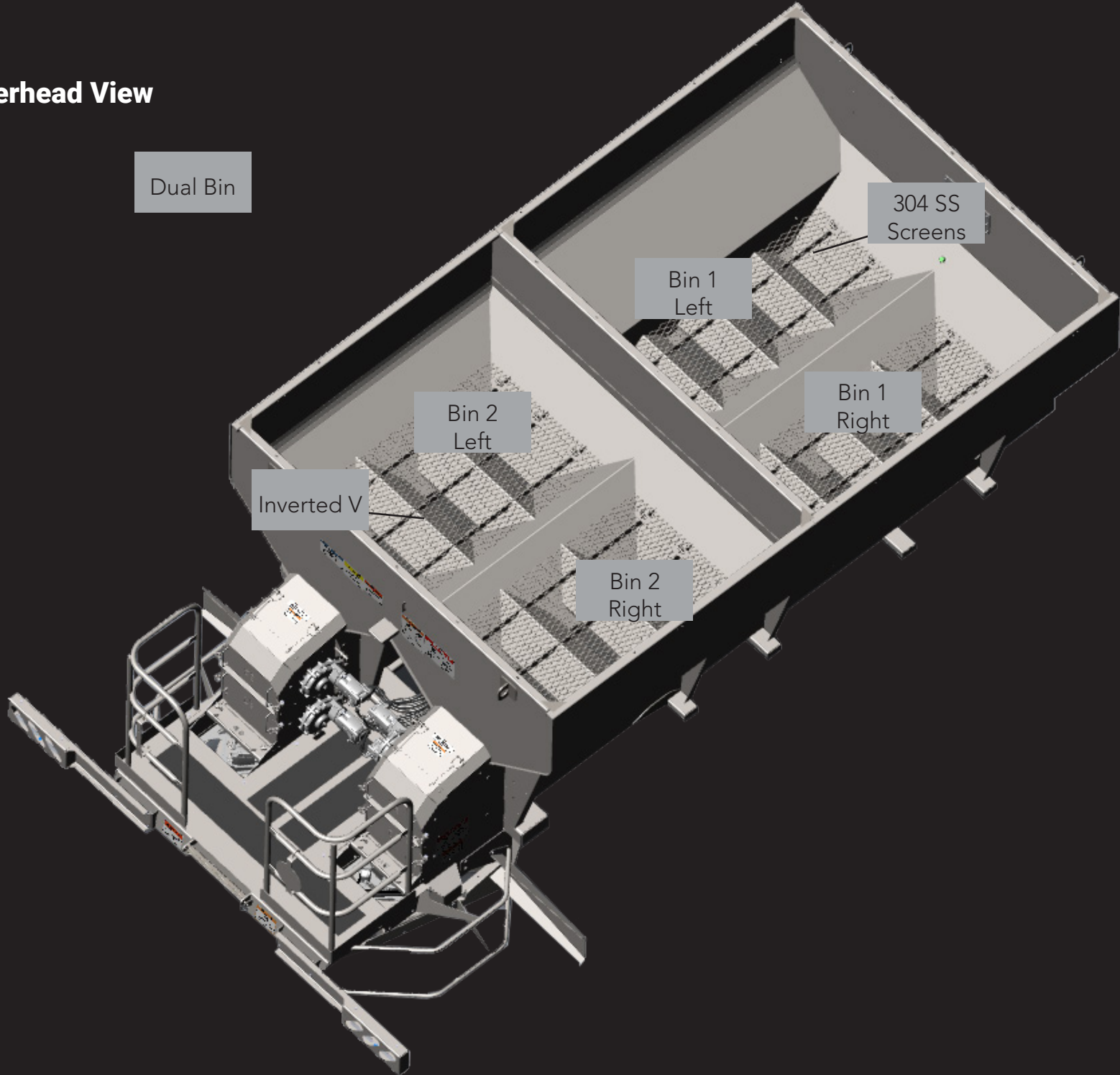
## Front View



# Left-Hand Side View



# Overhead View



Dual Bin

304 SS  
Screens

Bin 1  
Left

Bin 1  
Right

Bin 2  
Left

Inverted V

Bin 2  
Right

## Ease of Maintenance

### Key Points

The NL720 is designed to be easy to maintain because we know you don't have time for downtime. Keep your machine in the field with:

- Zero Grease Points
- Easily Replaceable One-Bolt Spinner Fin Overlays
- Maintenance-Free Stainless Steel Belt Bearings
- Tensionless Belt



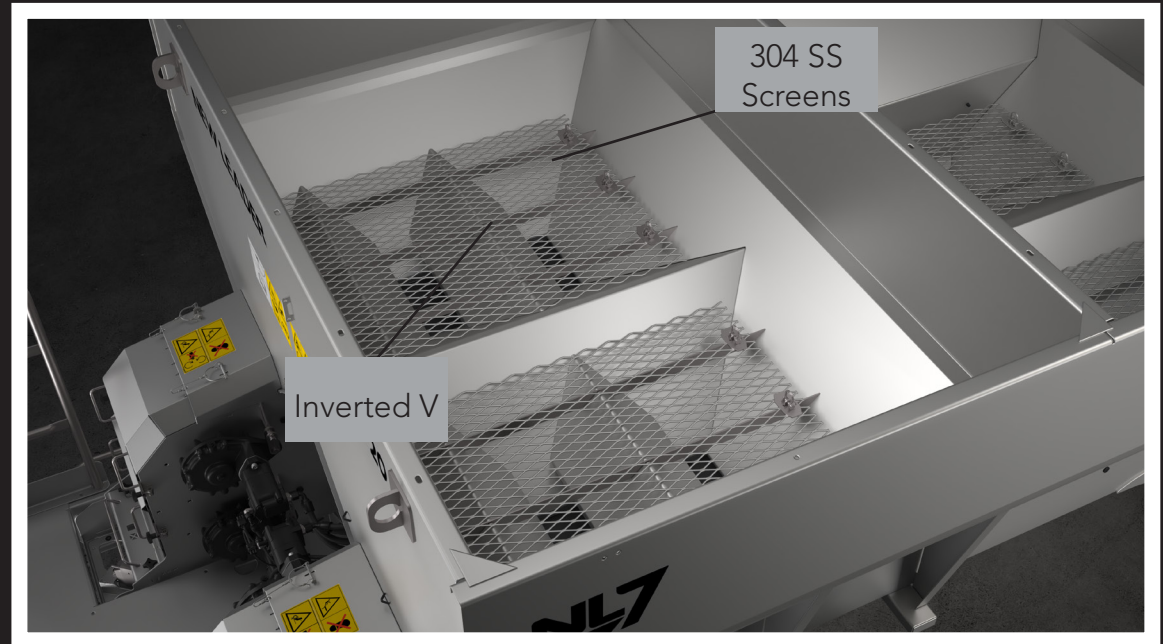


## Inspection Ladder & Screens

### Key Points

The NL720's design features:

- 304 Stainless Steel Screens to Maintain Product Integrity and Catch Foreign Objects
- Safe and Convenient Inspection Ladder for Interior Visibility
- Inverted Vs Distribute Weight off Conveyor for Low-Pressure Start Ups

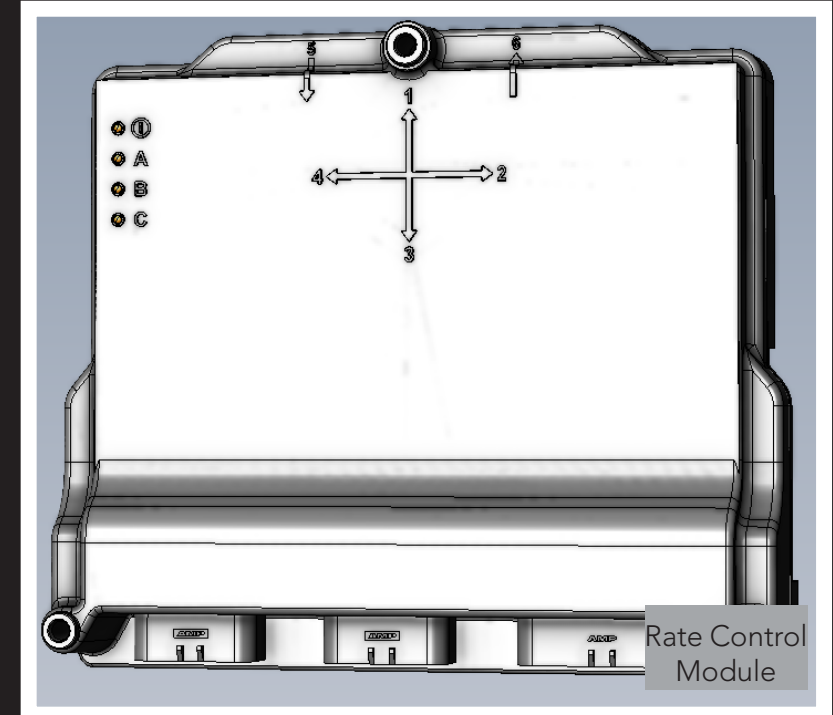
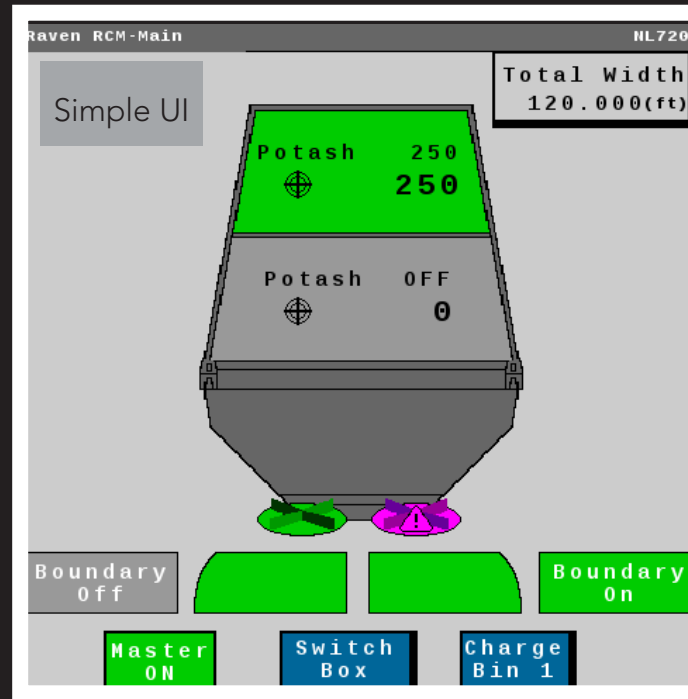


# New NLM Control System Electronics

## Key Points

The NL720's electronic control system offers the following:

- Simplified Run Screen
- Intuitive User Interface with Minimal Button Presses for Field Operation
- User-Friendly Design for Easy Operator Training
- Simple Bin Chaining Activation



Rate Control Module

## New NLM Control System Hydraulics

### Key Points

The NL720's hydraulic control system offers the following:

- Simple, High-Efficiency Closed-Center Design
- Variable Displacement Load-Sense System
- PWM Control

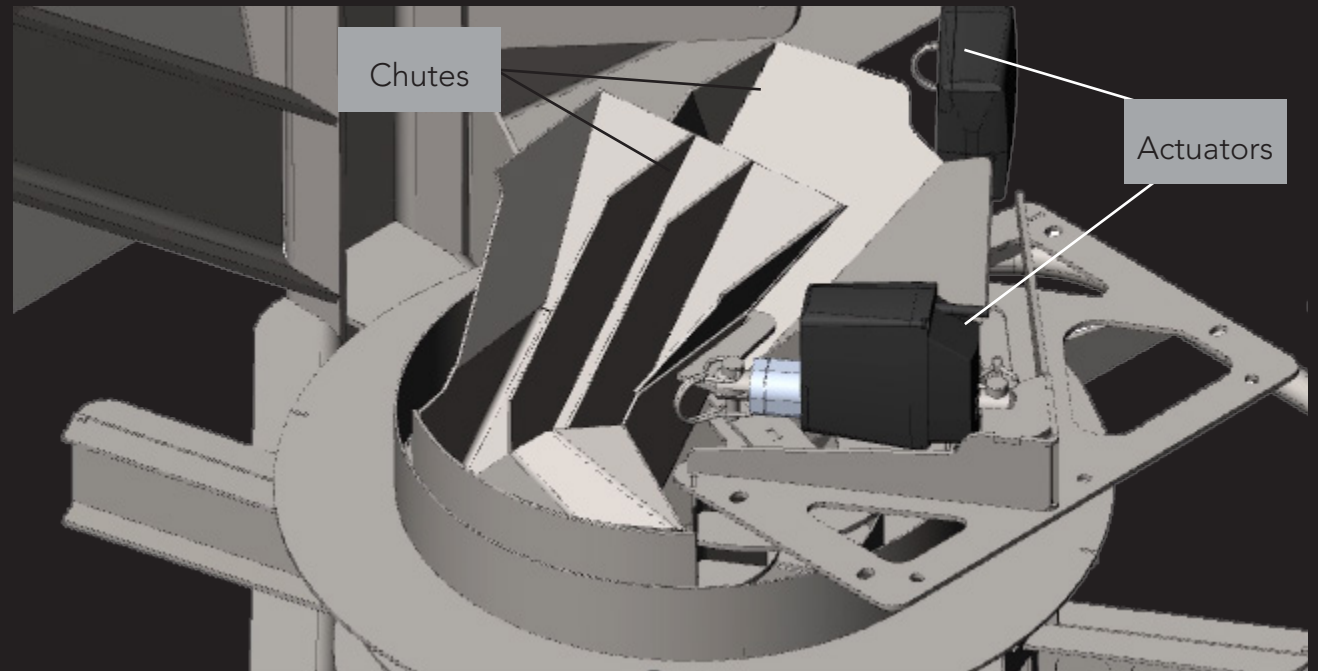
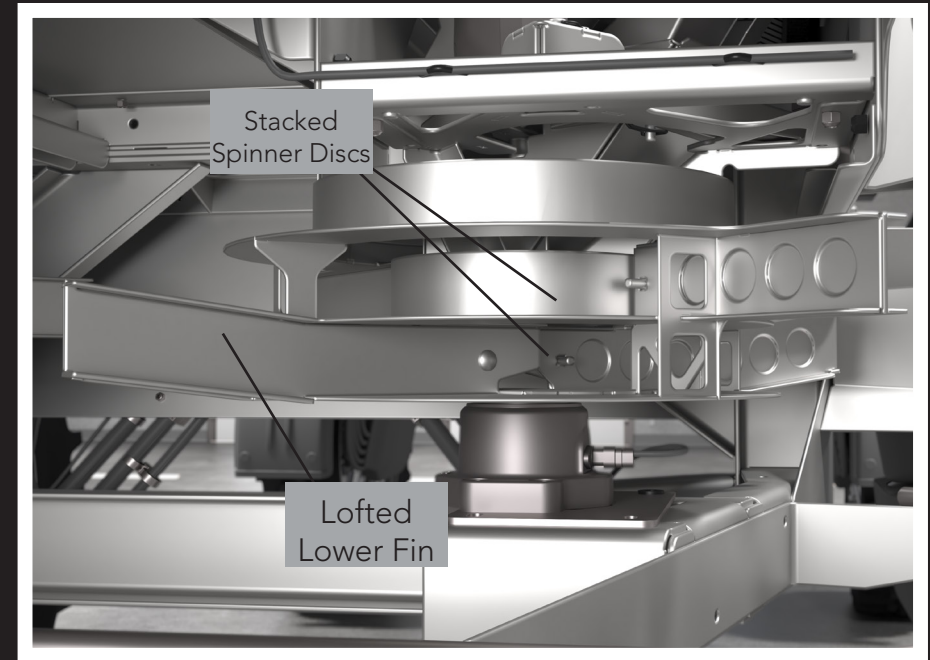


## Stacked Spinner Discs

### Key Points

You'll get consistent results every time with the NL720 because of its disc design, which offers:

- Facilitates 25% Increase in Product Throughput
- Innovative Stacked Configuration
- Stacked Discs and Electric-Actuated Chutes Allow for Four Independently Controlled Patterns
- Corrosion-Resistant 304 Stainless Steel Construction



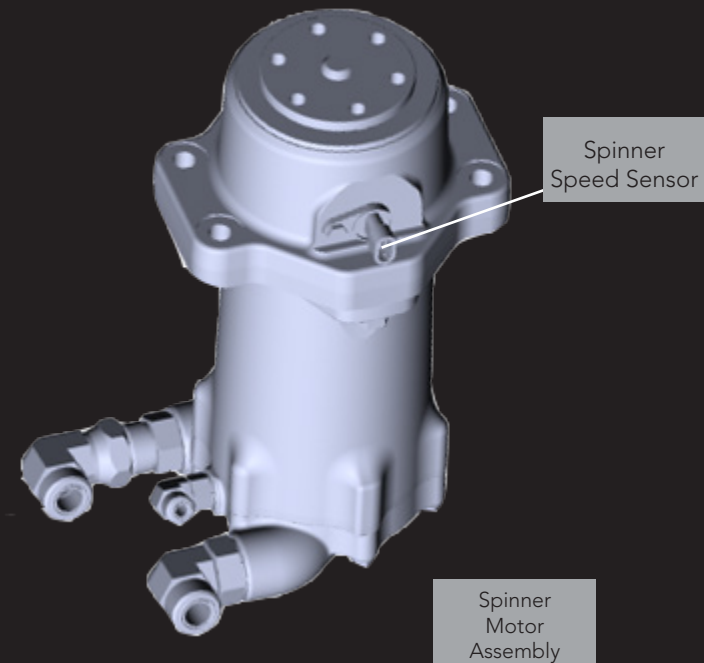


## Spinner Motor

### Key Points

The hydraulic spinner motor on the NL720 offers reliable performance with:

- 97% Volumetric Efficiency Design
- Overhung Load Adapter Protects Motor Shaft and Seal
- Integrated Spinner Speed Sensors



## Inspection Platform

### Key Points

The NL720 features a safe and simple rear inspection platform, allowing you to keep the machine in excellent condition with:

- Pull-Out Access Ladder
- Safety Railings
- Access to Waterfall Assemblies for Easy Inspection & Maintenance

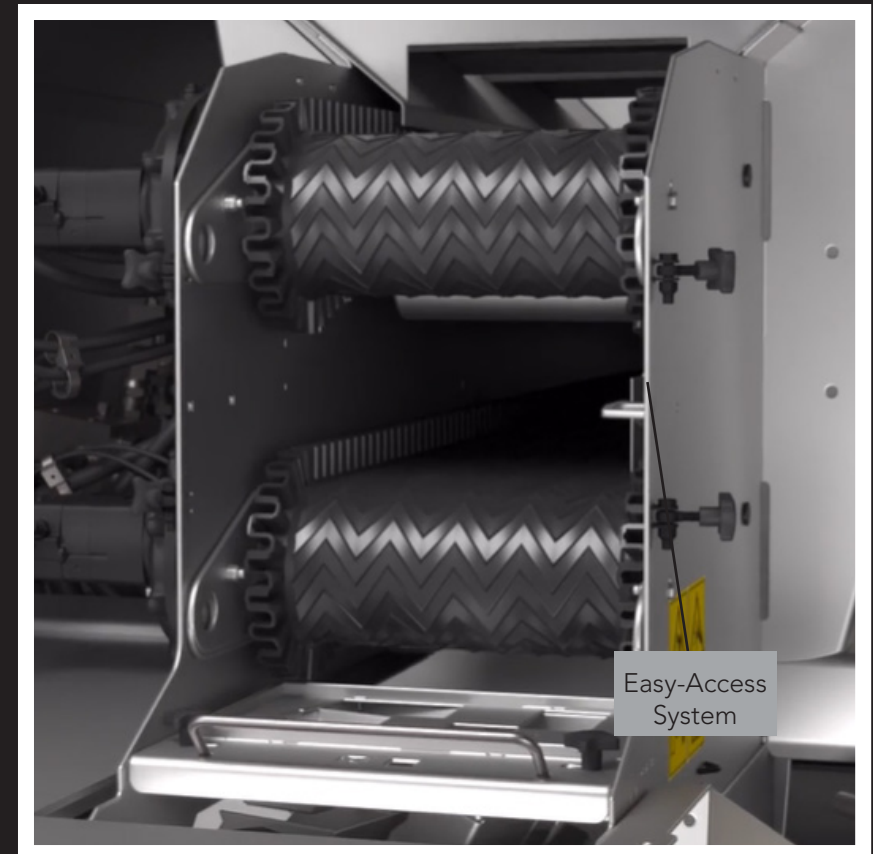


## Tool-Free Design

### Key Points

When you're out in the field, you won't always have access to the right tools. The NL720 has been designed with this in mind, offering easy maintenance without the need for all your equipment, with features like:

- Tool-Free Waterfall, Chute and Actuator Removal
- Routine Inspection and Maintenance Made Easy

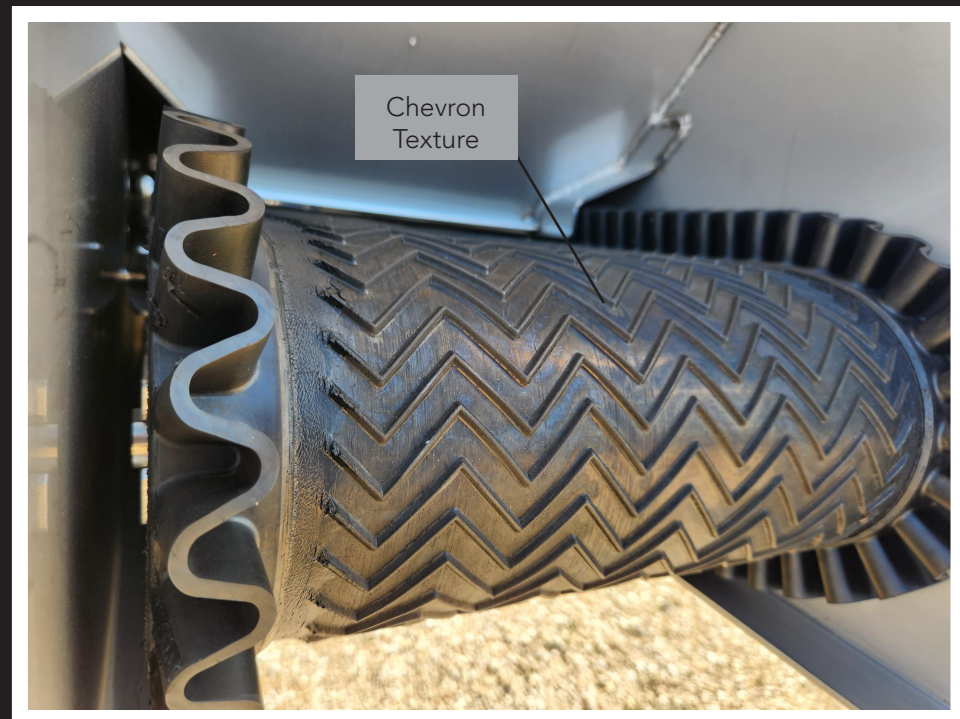
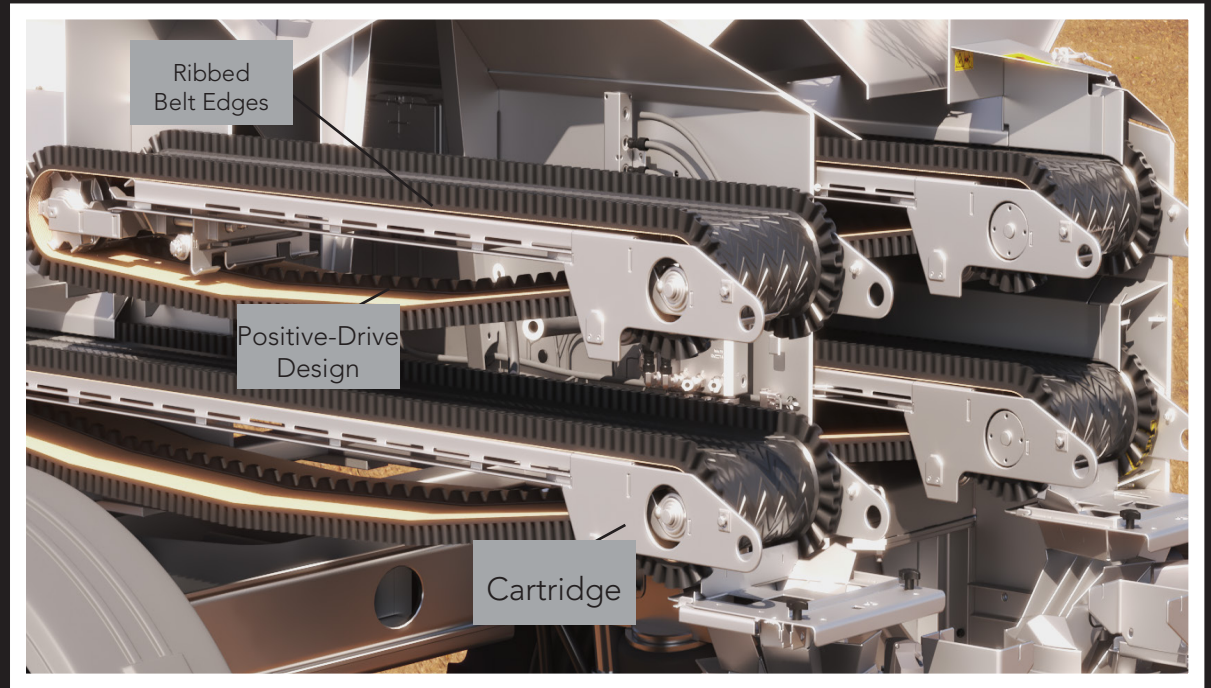


## Positive-Drive Straight Belts

### Key Points

This innovative new design provides serious reliability in the NL720. With the positive-drive straight belts, you can count on:

- No Slipping or Tracking
- Ribbed Edges Ensure Minimal Material Carryback
- Chevron Texture for Consistent Flow
- Continuous Belt Design
- Cartridge Design for Easy Removal



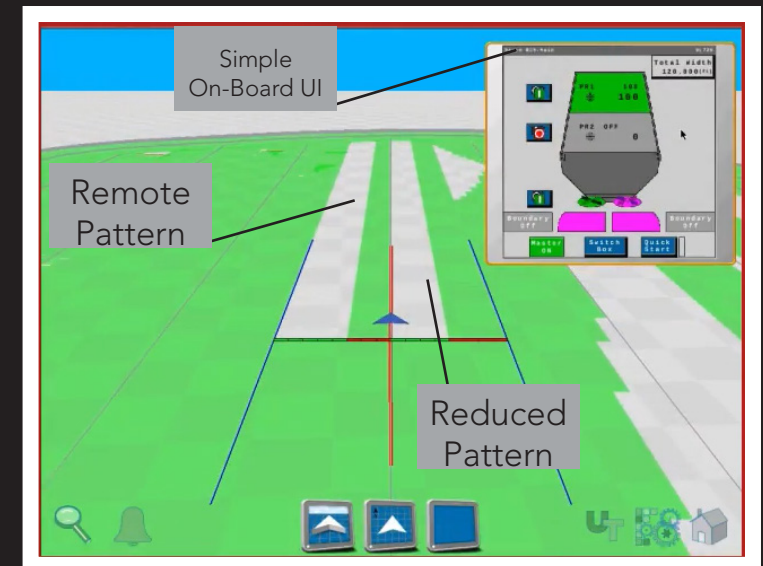
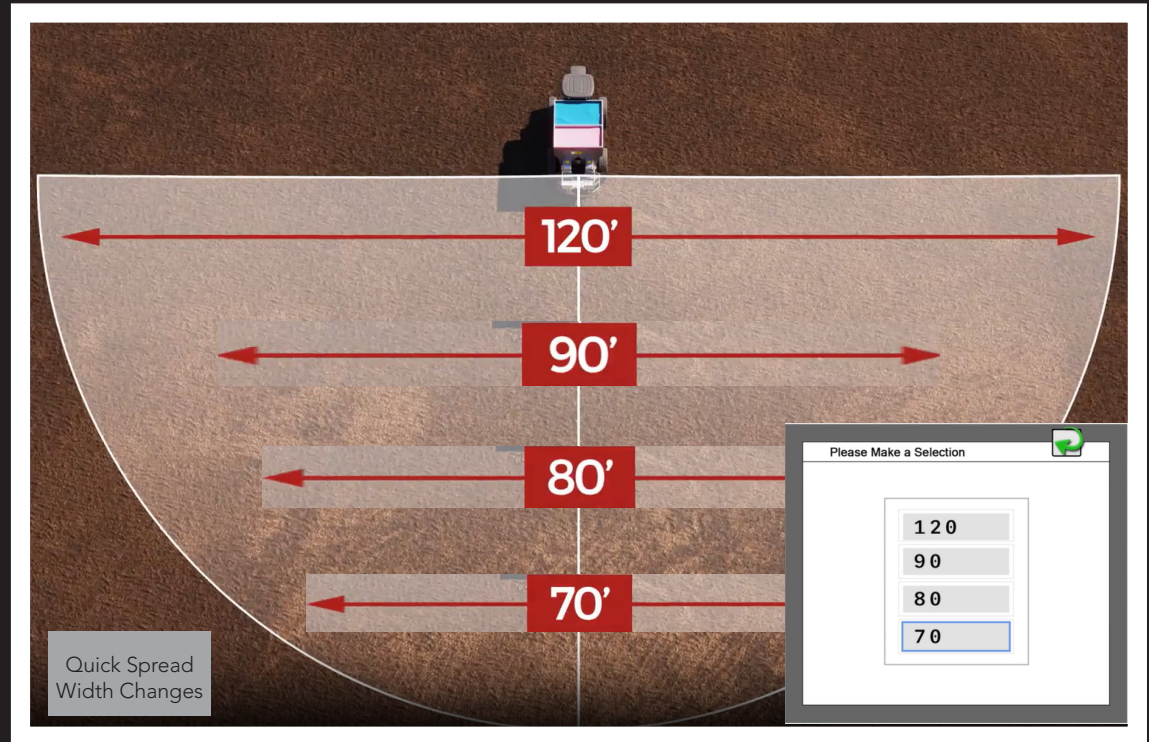


## Independent In-Cab Control

### Key Points

The NL720 can not only spread farther and cover more ground, it's designed for precision application as well. It offers independent in-cab control of the left and right spinners and conveyors for a completely customizable spread pattern. Other features include:

- Onscreen Spread Width Changes from 120' to 90', 80' or 70'; Chutes Adjust While Spinner Speed Remains the Same
- Turn Compensation
- Pattern Control, Last Pass Control, and Half-Width Spreading
- Automated In-Field Pattern Control as Width or Product Volume Change
- Pre-Calibrated Actuators

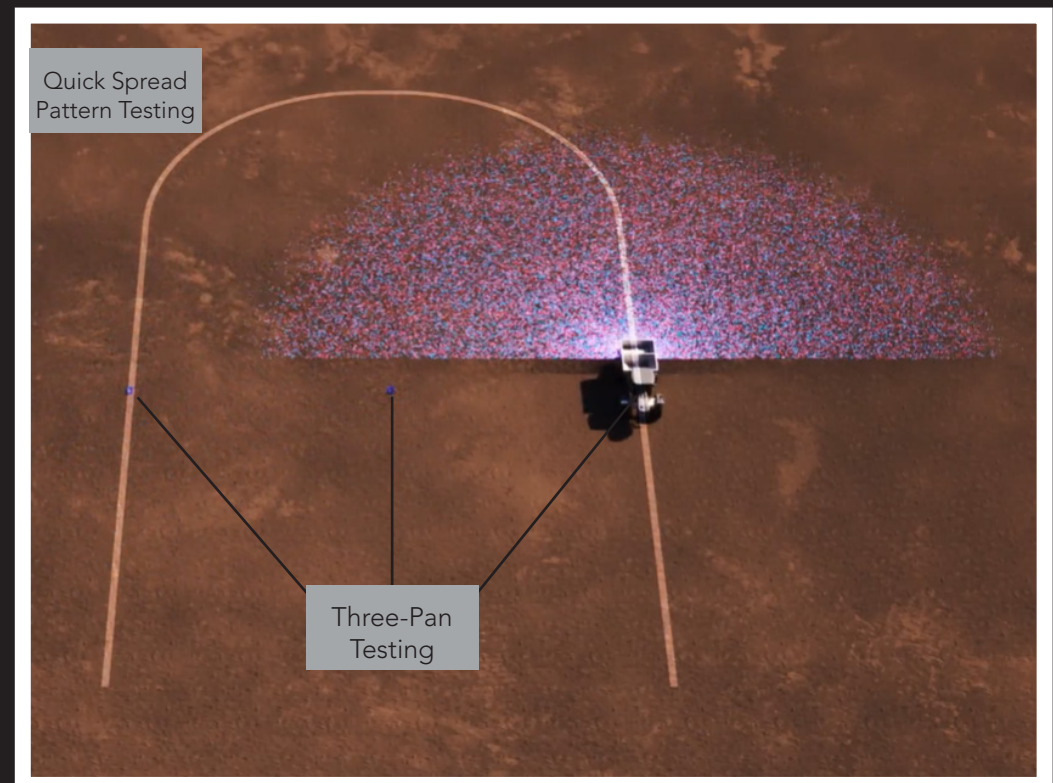
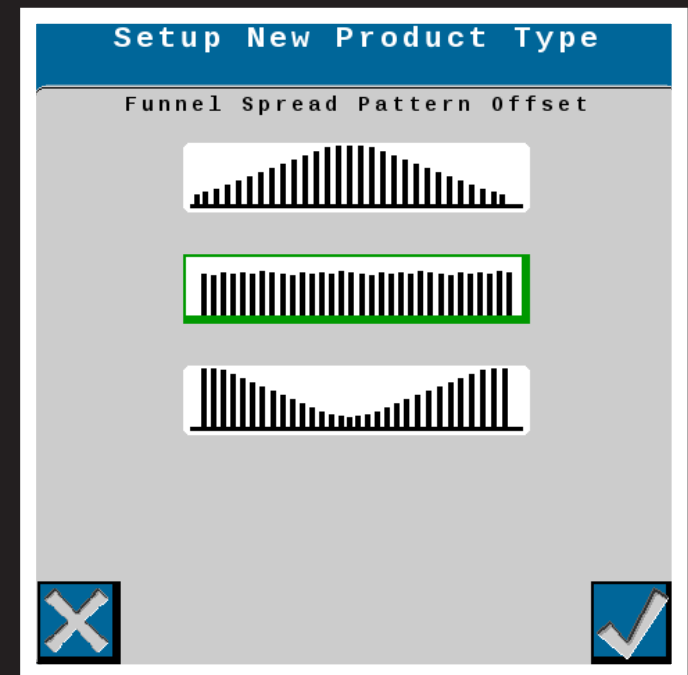
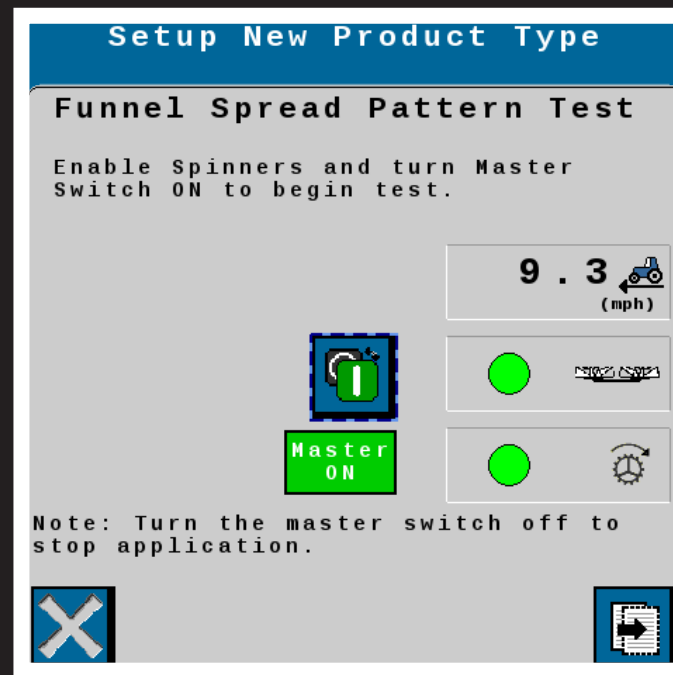
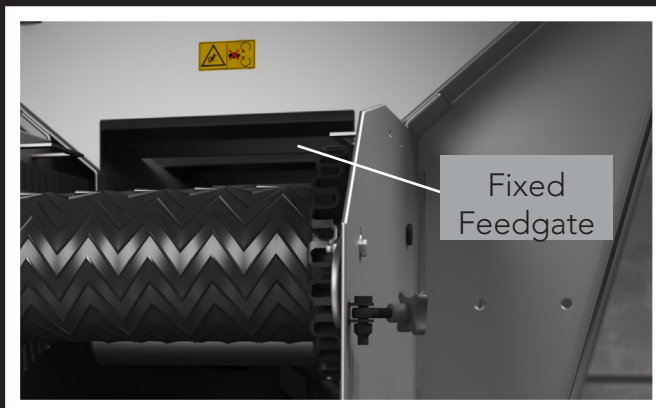


# Easy Spread Pattern Testing & Conveyor Calibration

## Key Points

Get out in the field faster with the easy-to-calibrate NL720. You'll save time, money, and energy with features like:

- Simple Spread Pattern Wizard with Three Pre-Programmed Starting Points
- Three-Pan Spread Pattern Testing
- Fixed Feedgate for Consistent Throughput Across Product Types
- No Conveyor Calibration Needed with New Conveyor Design and Fixed Feedgate

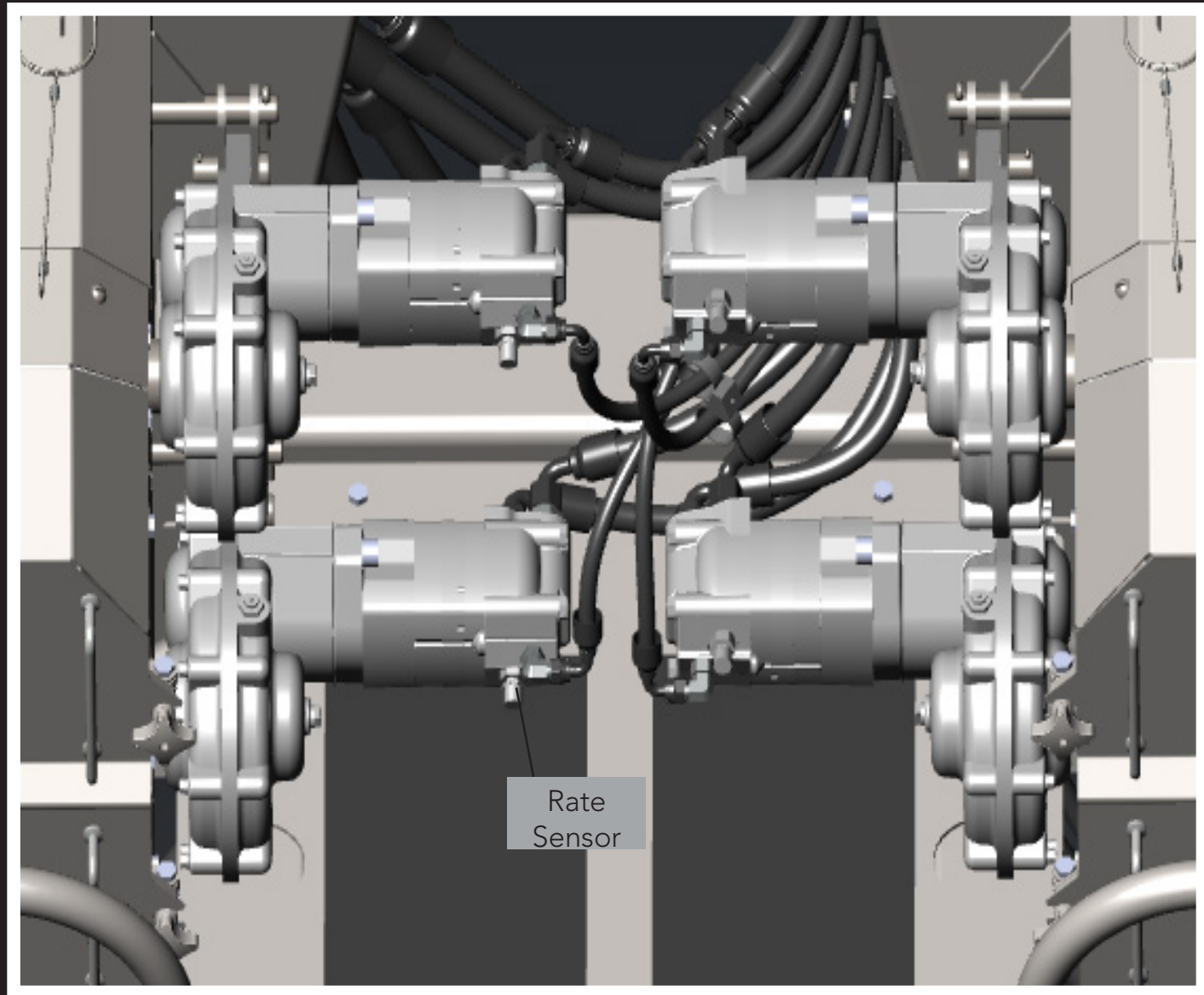


## Single-Pinion Gear Case & Motor

### Key Points

The NL720's conveyor system features a single-pinion gear case, which offers:

- Integrated Rate Sensors
- Four Independent Gear Cases Precisely Control Low and High Rates









# Value Statements

## Productivity

- 120' spread pattern
- 33% more efficient high output design
- Uniformity of spread pattern
- 16-section pattern control
- Boundary and half-width spreading
- 25% increased throughput

## Ease of Use

- Built-in spread pattern wizard for quick start-ups
- Ability to pattern test and set the machine using only 3 pans
- On-screen spread pattern changes from 120' to 90', 80' or 70'
- Conveyor calibration is not required
- Updated easy-to-use in-cab user interface

## Ease of Maintenance

- Zero grease points
- Positive-drive belt design
- Tool-free components
- Easy-to-replace fin overlays
- 304 stainless steel bearings





# Spreading Reinvented



1330 76th Avenue SW, Cedar Rapids, Iowa 52404  
information@newleader.com  
www.newleader.com  
319.363.8281