



# CASE IH

# NL720

# NEW LEADER



 1330 76th Ave SW  
Cedar Rapids, Iowa

 319.363.8281

 [NewLeader.com](http://NewLeader.com)

# NL7

## NL720

With dual bins and stacked conveyors, the NL720 represents a shift in the agriculture industry.

Combining unprecedented design with ease-of-use, the NL720 can help you achieve unrivaled productivity. Crop damage, unnecessary passes, overlap, and soil compaction will become a thing of the past for you and your business.

## WHAT IT DOES

### Productivity

- 120' spread pattern
- 33% more efficient high output design
- Uniformity of spread pattern
- 16-section swath width
- Boundary and half-width spreading

### Ease of Use

- Built-in spread pattern wizard
- Ability to pattern test and set the machine, using only 3 pans
- Ease of calibration
- Conveyor calibration is not required

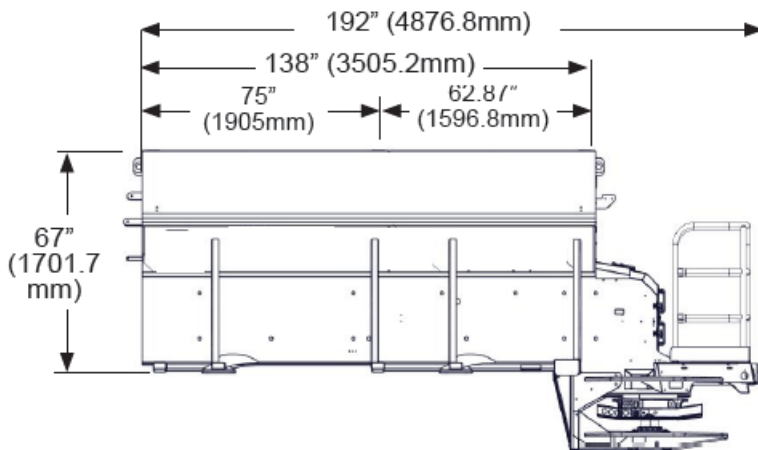
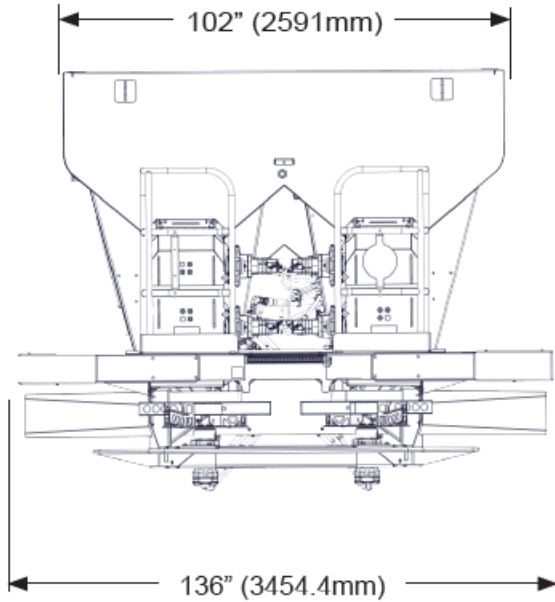
### Versatility

- Dual bins for two product application
- Low sensitivity to driving centers
- Variable rate width spreading from 120', 90', 80' and 70'

### Ease of Maintenance

- Zero grease points
- New positive drive belt requiring minimal maintenance
- Tool-free components
- Easy to replace SS fin overlays

# TECHNICAL DATA SHEET



NL720 Dual Bin	
Dual-Bin Capacity	Cu Ft (Cu M)
12' (3.66m) - Bin 1	183 (5.2)
12' (3.66m) - Bin 2	120 (3.4)
<b>12' (3.66m) - Total</b>	<b>303 (8.6)</b>
Est. Weight	Lbs (kg)
12' (3.66m)	6,200 (2,812)