

# NL720



1330 76th Ave SW  
Cedar Rapids, Iowa

319.363.8281

NewLeader.com



## NL720

With dual conveyors and split, stacked twin discs, the NL720 represents a shift in the agriculture industry.

Combining unprecedented design with ease-of-use, the NL720 can help you achieve unrivaled productivity. Crop damage, unnecessary passes, overlap, and soil compaction will become a thing of the past for you and your business.

## WHAT IT DOES

### Productivity

- 120' spread pattern
- High speed and high output
- Uniformity of spread pattern
- Supreme confidence in application

### Ease of Use

- Built-in spread pattern wizard
- Ability to pattern test and set the machine, using only 3 pans
- Ease of calibration
- Ease of conveyor calibration

### Ease of Maintenance

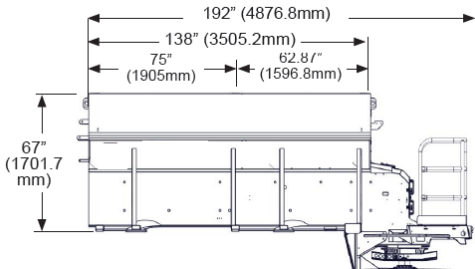
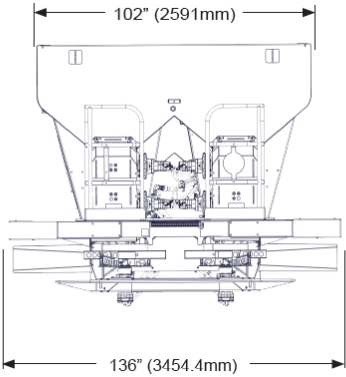
- Zero grease points
- New belt design is almost maintenance free
- Approximately 5 year run life
- Tool-free components
- Easy to replace SS fin overlays

### Versatility

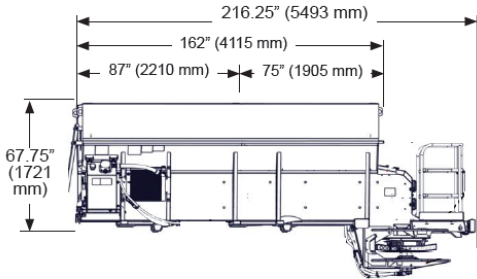
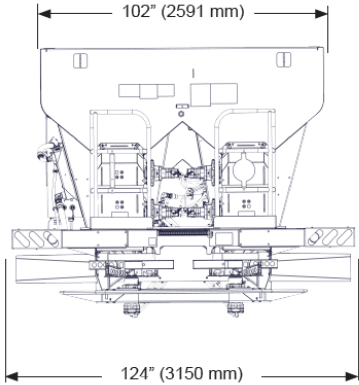
- Dual bins for two product application
- Stacked discs
- Variable rate width spreading from 120', 90', 80' and 70'

# TECHNICAL DATA SHEET

## 12' Unit



## 14' Unit



NL720 Dual Bin	
Dual-Bin Capacity	Cu Ft (Cu M)
12' (3.66m) - Bin 1	183 (5.2)
12' (3.66m) - Bin 2	120 (3.4)
<b>12' (3.66m) - Total</b>	<b>303 (8.6)</b>
14' (4.26m) - Bin 1	218 (6.2)
14' (4.26m) - Bin 2	145 (4.1)
<b>14' (4.26m) - Total</b>	<b>363 (10.3)</b>
Est. Weight	Lbs (kg)
12' (3.66m)	6,200 (2,812)
14' (3.66m)	6,800 (3,084)