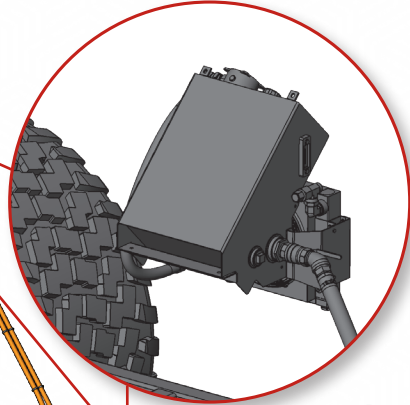


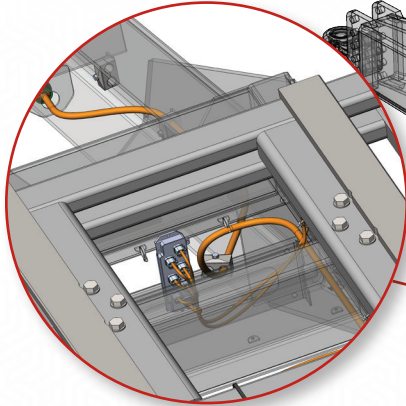
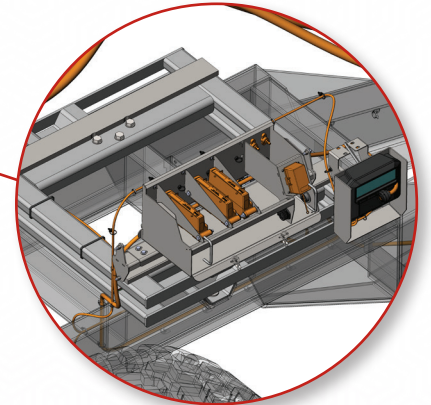
Hydraulic Tank Components
Section B, C & D



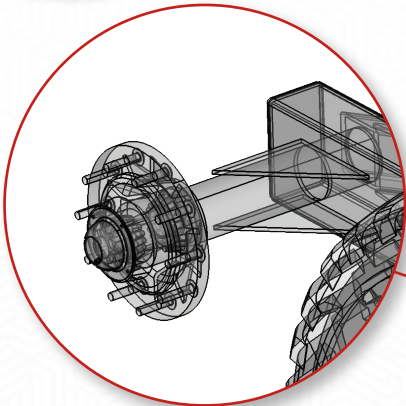
LUBRICANT & OIL SPECIFICATIONS

System	Lubrication Specs	Capacity
Hydraulic System	Multipurpose AG & Hydraulic & Transmission Oil	23 Gallons

Scale Head & Electronics Enclosure
Section E



Trailer Harnessing
Section E



Trailer Components
Section A

SECTION A – TRAILER COMPONENTS

318592-AA	JACK - 9000 LB - WITH SLEAVE
318593-AA	HITCH - ARTICULATING POWER PIN - CATEGORY 4 - 3 HOLE (2" BALL)
318593-AB	HITCH - ARTICULATING BALL INSERT - 2" - POWER PIN - CATEGORY 4
318591-AO	SPINDLE
318591-AC	HUB (WITH RACES)
318591-AE	OUTER BEARING
318591-AA	INNER BEARING
318591-AK	SEAL
318591-AG	NUT - SPINDLE 2.5" - 12
318591-AI	DUST CAP
318591-AJ	DUST CAP GASKET
318591-AL	BOLTS
318591-AM	WHEEL STUD
318591-AP	WHEEL NUT

SECTION B – HYDRAULIC AND SENSORS

316127	HYDRAULIC RESERVOIR OIL LEVEL SENSOR
311075	HYDRAULIC OIL TEMPERATURE SENSOR
323332	HYDRAULIC TANK FILTER KIT
43534	SERVICE GAUGE INDICATOR
320410	HYDRAULIC RESEVOIR CAP
311075	TEMPERATURE SENSOR
311076	PRESSURE SWITCH
305074	TEMPERATURE SWITCH 117*
312271	12VDC 40A RELAY
316127	OIL LEVEL SENSOR

SECTION C – OIL COOLER ASSEMBLY

305767	COMPLETE OIL COOLER ASSEMBLY
305767-AA	OIL COOLER CORE
305767-AB	OIL COOLER FAN
305767-AC	OIL COOLER HOUSING

SECTION D - PTO COMPONETS

307294	PTO SHAFT
304921	PTO PUMP
304921-AZ	PUMP REPAIR KIT
304921-AS	O-RING
304921-AV	SEAL
304921-AX	RETAINER
313877	2" X 96 100R4 - MAIN SUCTION HOSE
307305	1" X 96 100R12 - MAIN PRESSURE HOSE

SECTION E - SCALE HEAD & ELECTRONICS ENCLOSURE

310742	SWITCHBOX
318430	HARNESS - EXTENSION ISOBUS
318431	HARNESS - IMPLEMENT ISOBUS
318432	HARNESS - ISO AUX CONSOLE
311060	HARNESS - LOCAL CAN BREAKOUT
318602	NEW STYLE TRACTOR EXTENSION HARNESS
311068	PLUG - TERMINATING LOCAL CAN
310734	MODULE - MASTER CONTROL ALL ISO TRAILERS
313689	MODULE - SWATH CONTROL G5 ONLY
310735	MODULE - SLAVE CONTROL UNITS WITH MULTIPLIER (SECOND BIN)